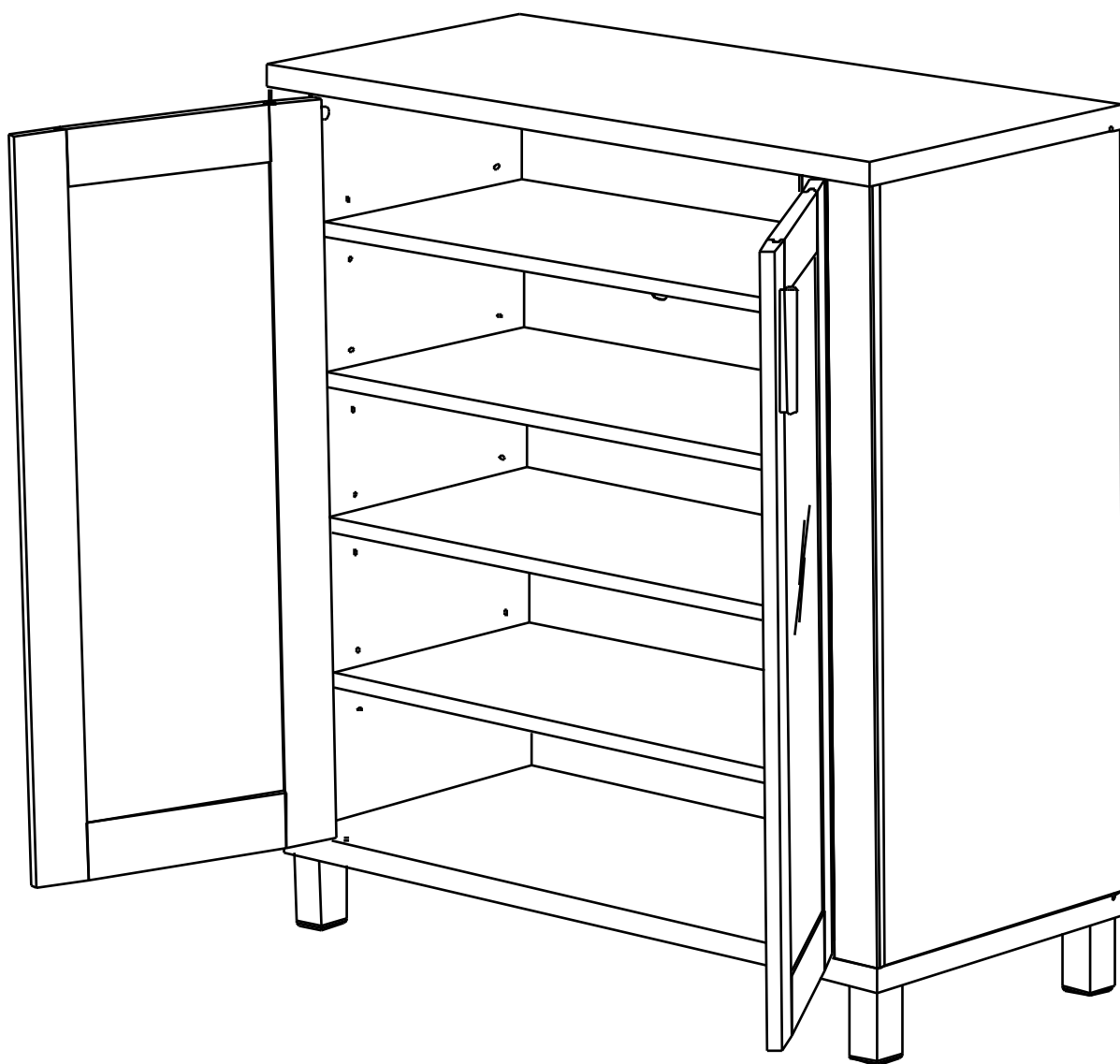


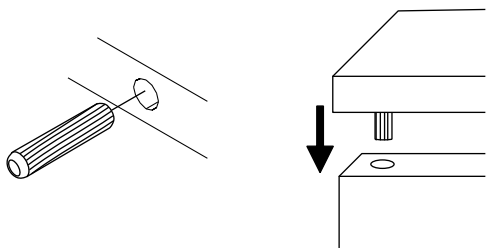
BALLY-S PLUS-P

Shoe cabinet

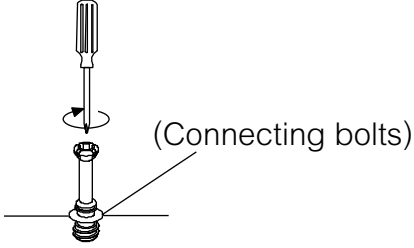


CONNECT SYSTEM

1

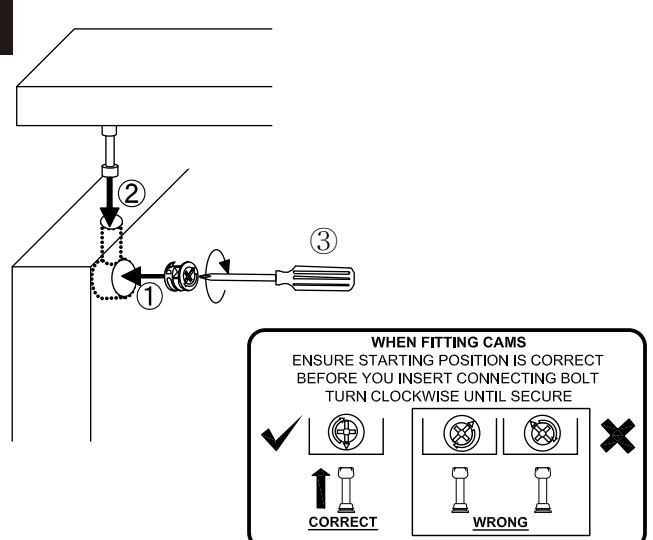


2









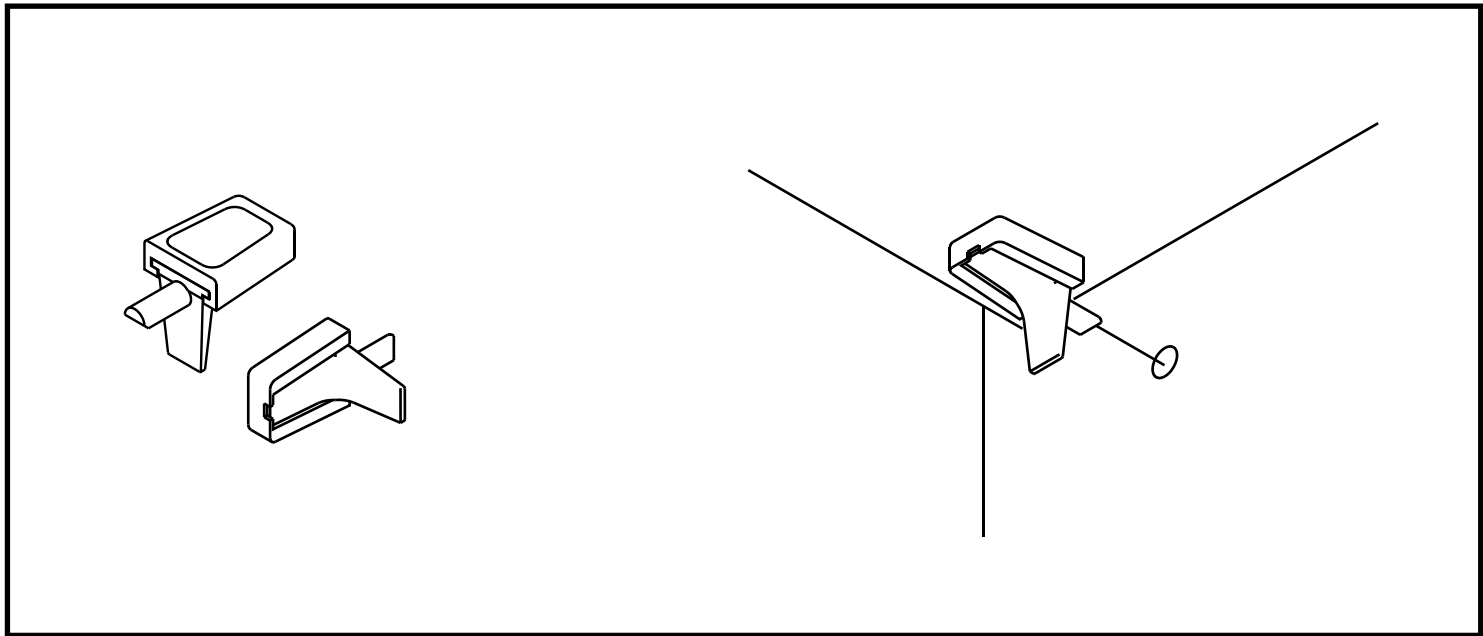
(Connecting bolts)

3



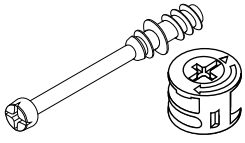
WHEN FITTING CAMS
ENSURE STARTING POSITION IS CORRECT
BEFORE YOU INSERT CONNECTING BOLT
TURN CLOCKWISE UNTIL SECURE

✓				✗
				
	CORRECT	WRONG		

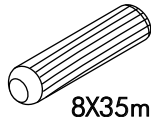


HARDWARE

-BODY SET

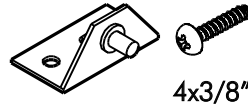


X 4/4



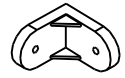
8X35mm.

X 14

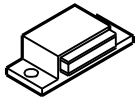


4x3/8"

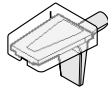
X 4/8



X 4



X 1

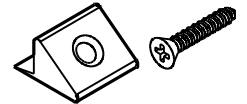


X 16



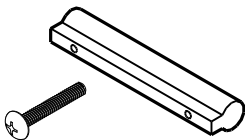
4x3/8"

X 2/2



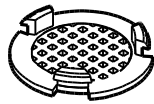
M3.5X20mm.

X 8/8



M4X25mm.

X 4/2



X 4



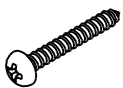
4x1/2"

X 10



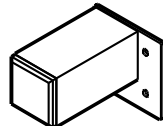
7x5/8"

X 12

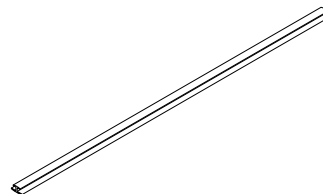


7x1 1/2"

X 6



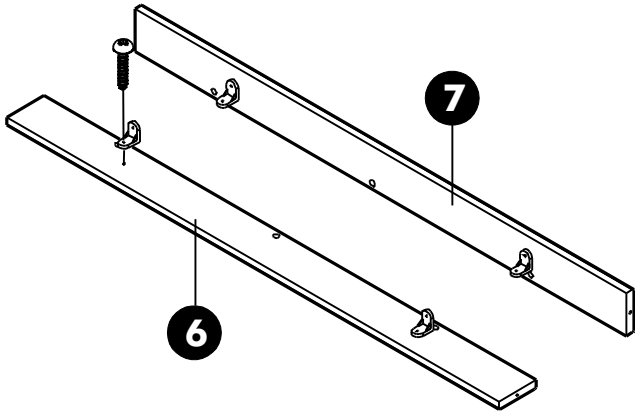
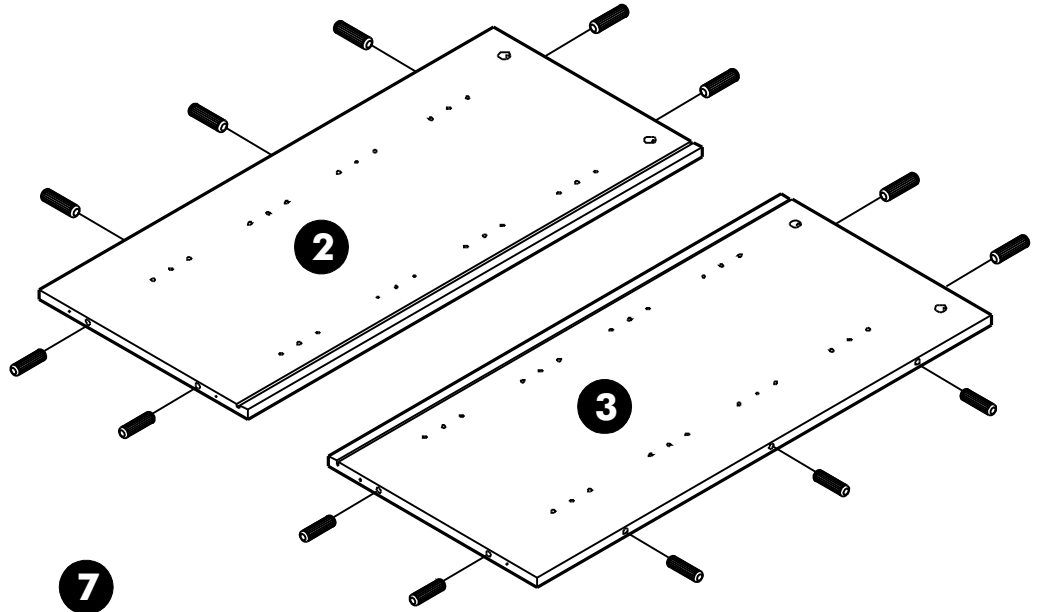
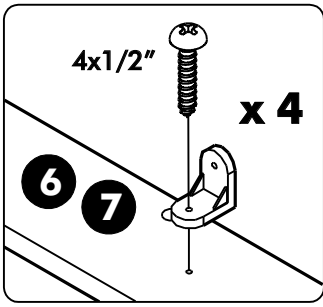
X 4



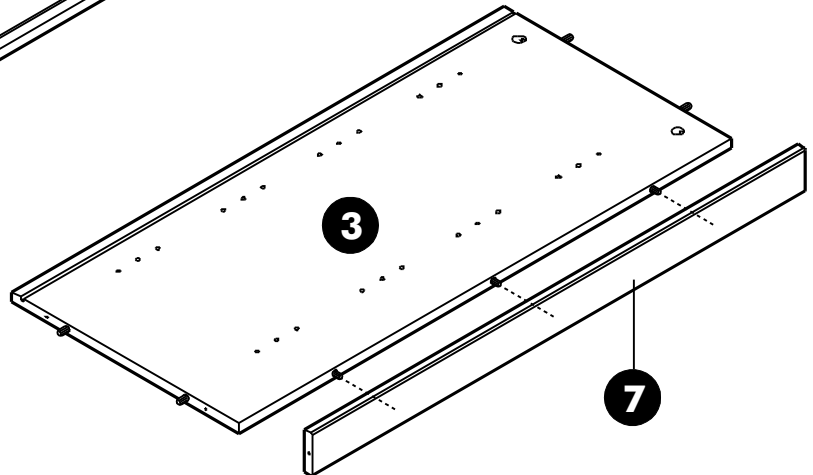
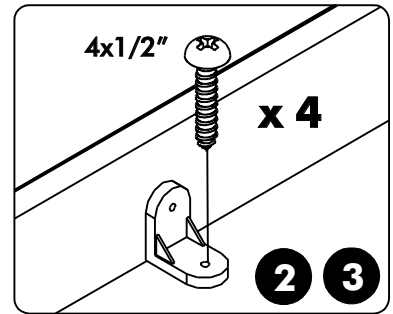
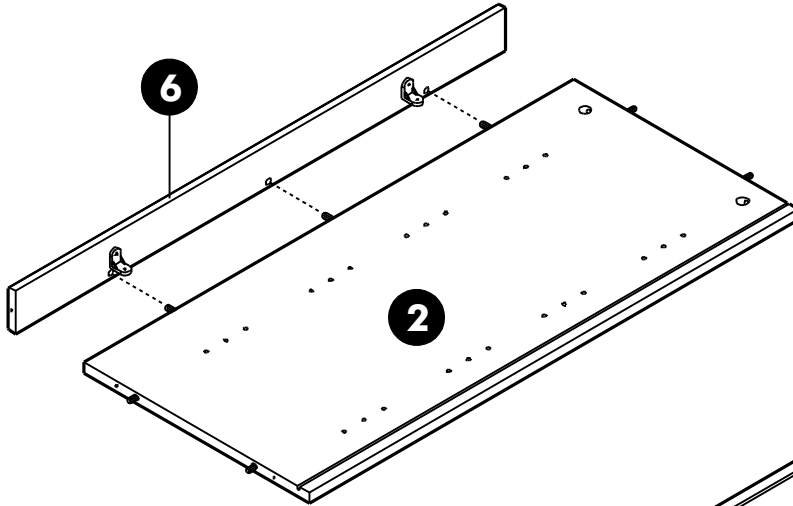
79.4cm.

X 1

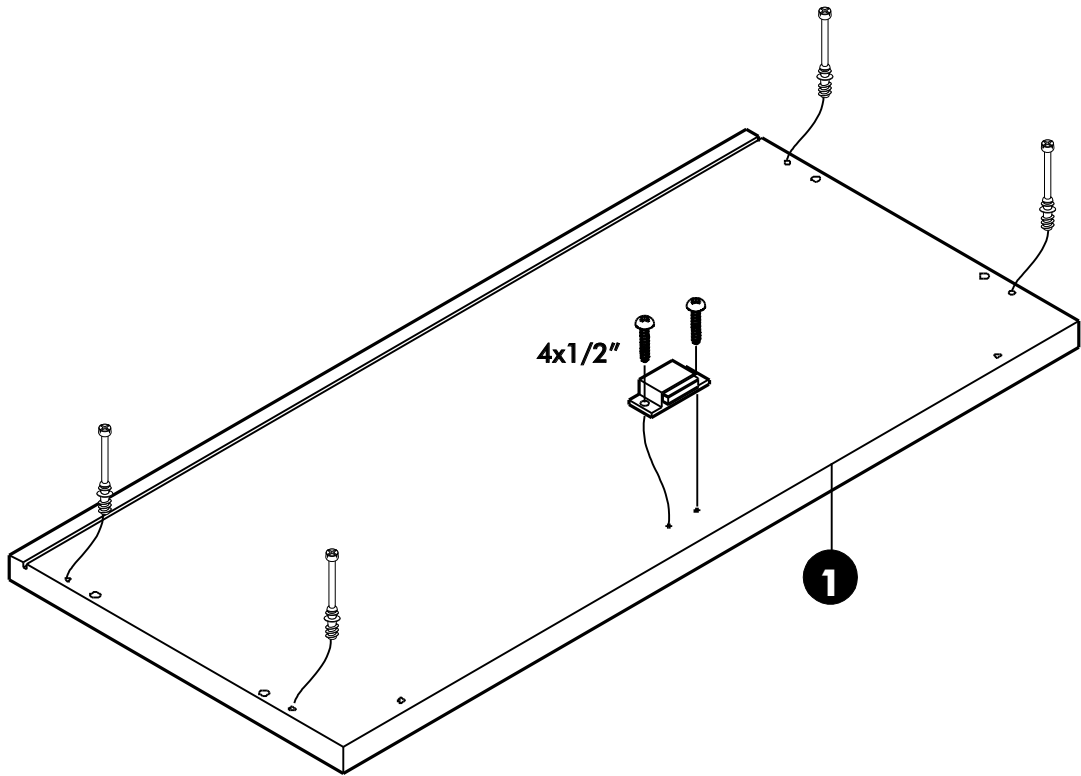
1.



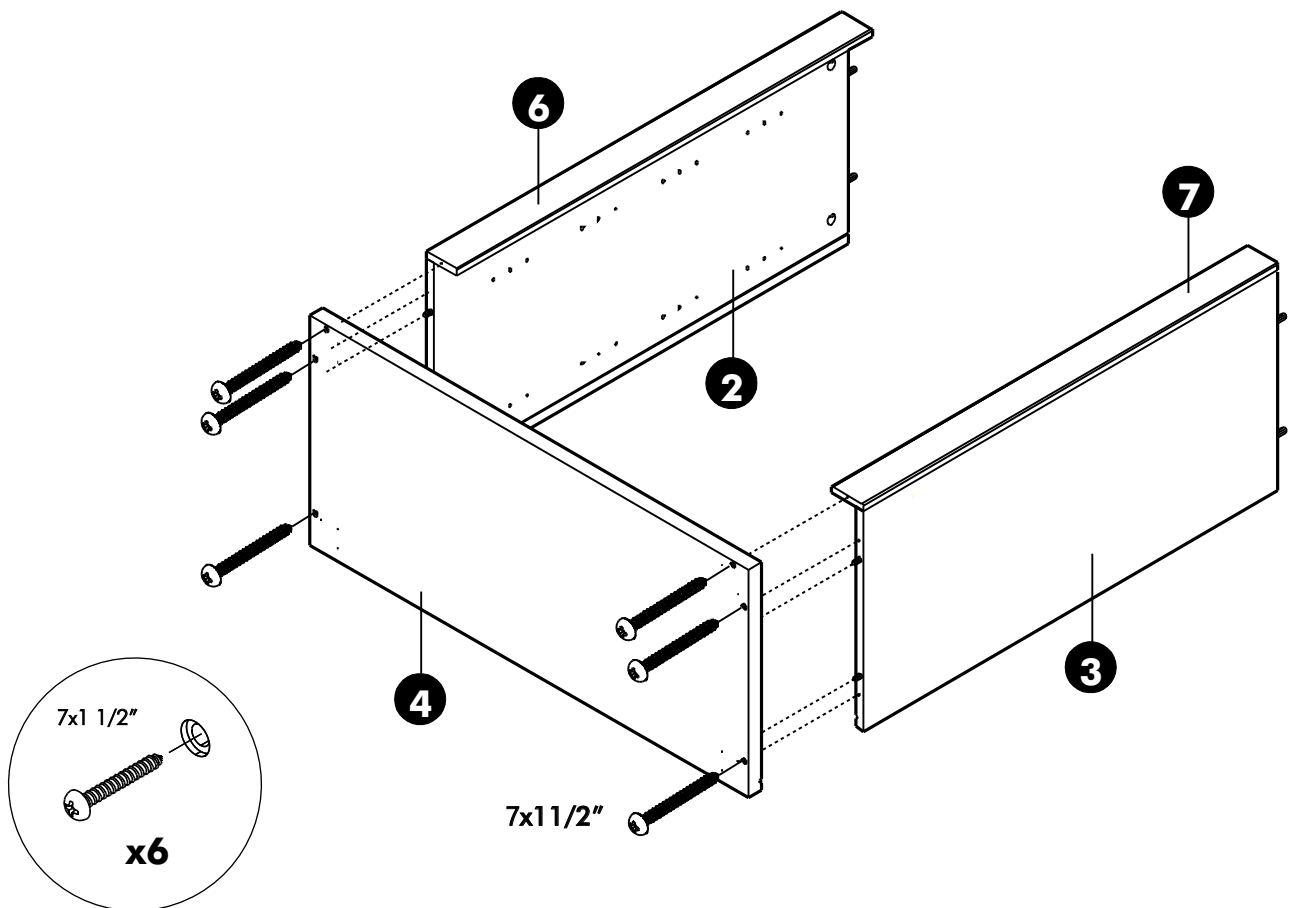
2.



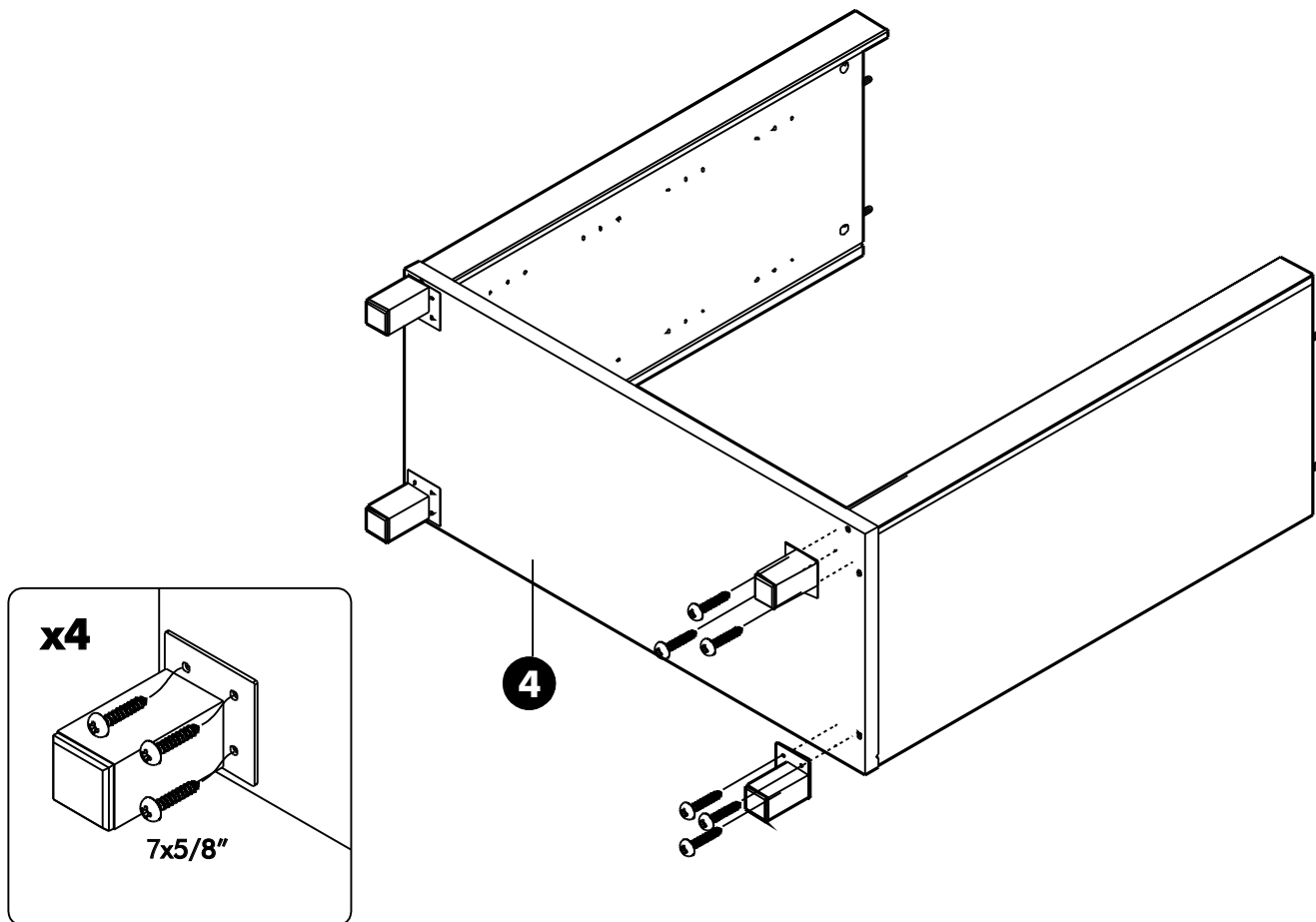
3.



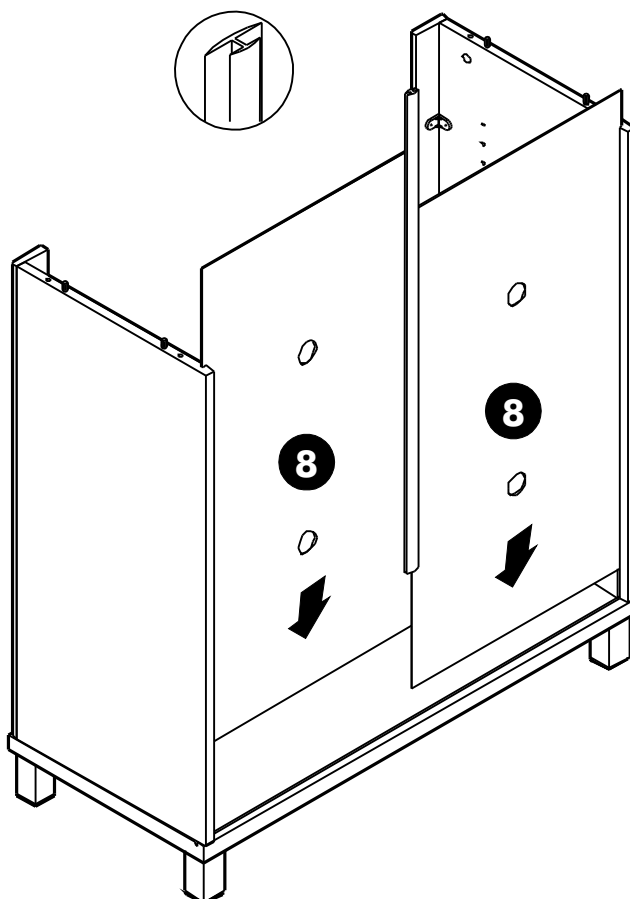
4.



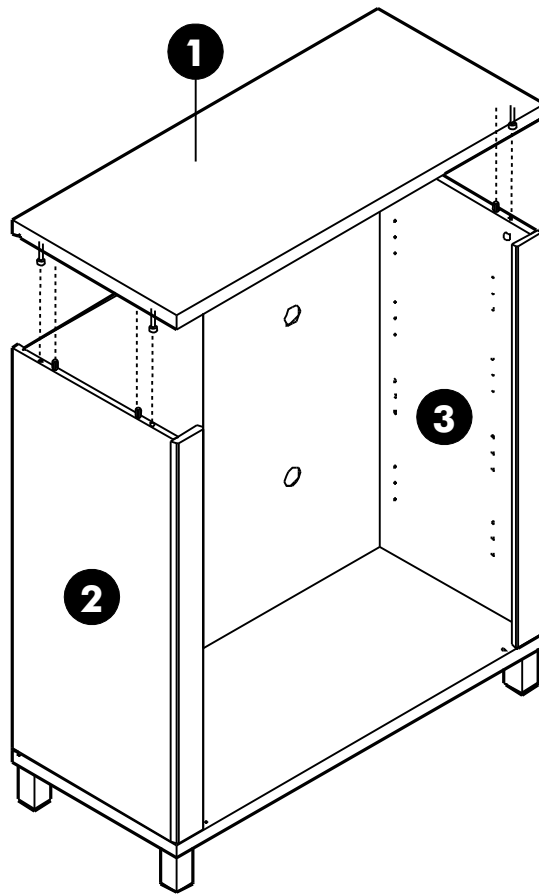
5.



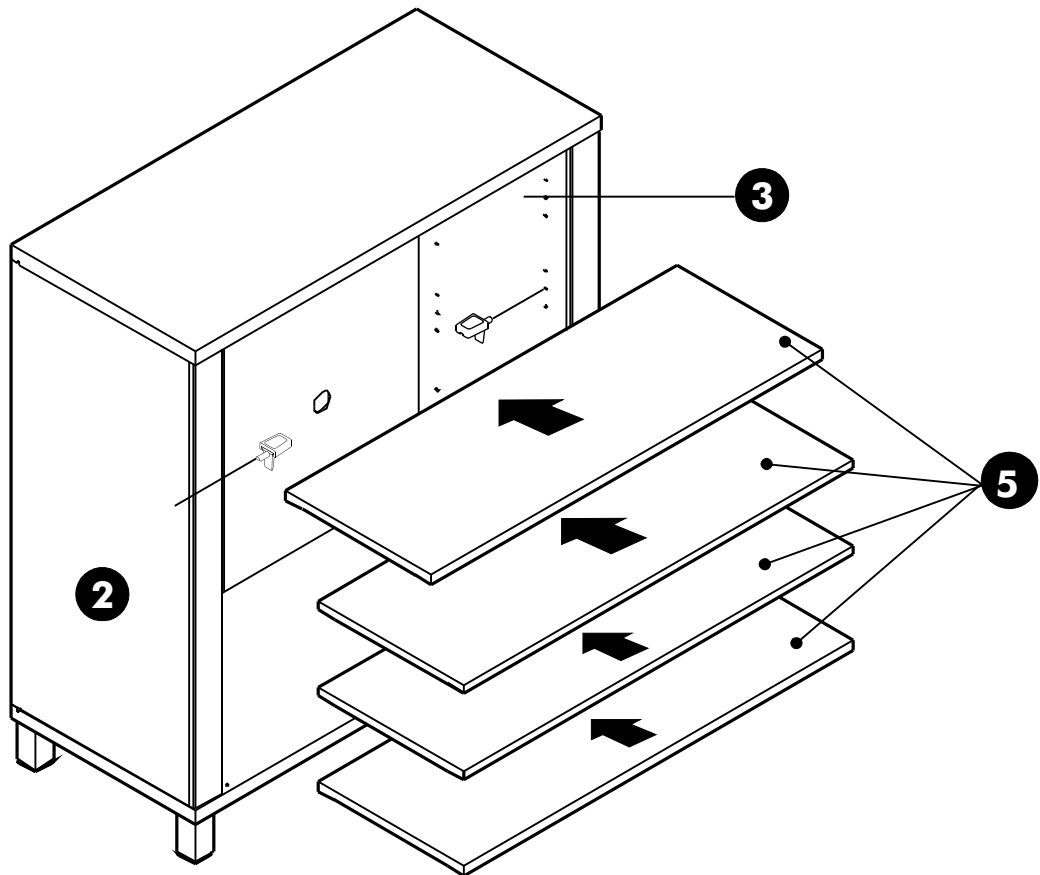
6.



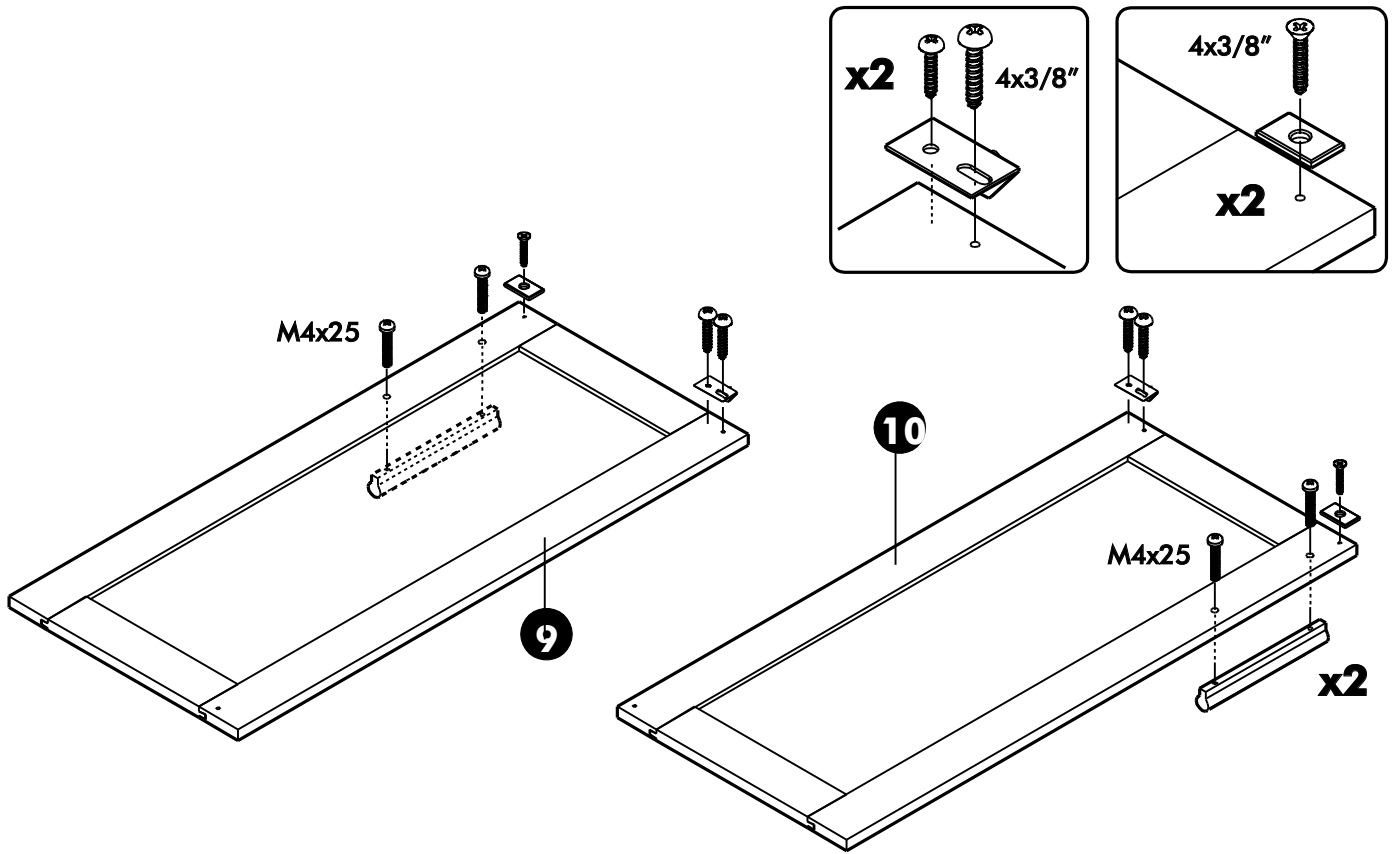
7.



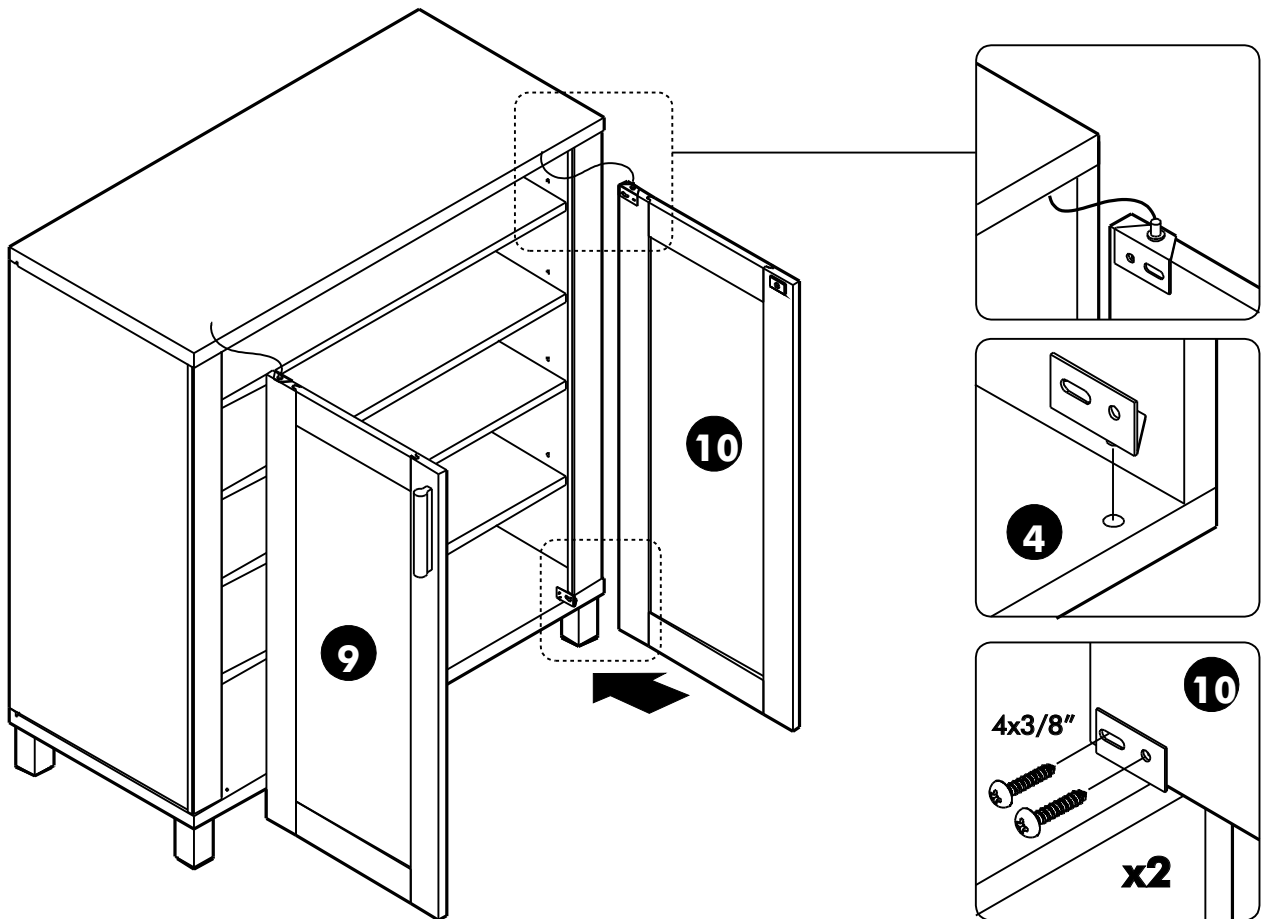
8.



9.



10.



11.

