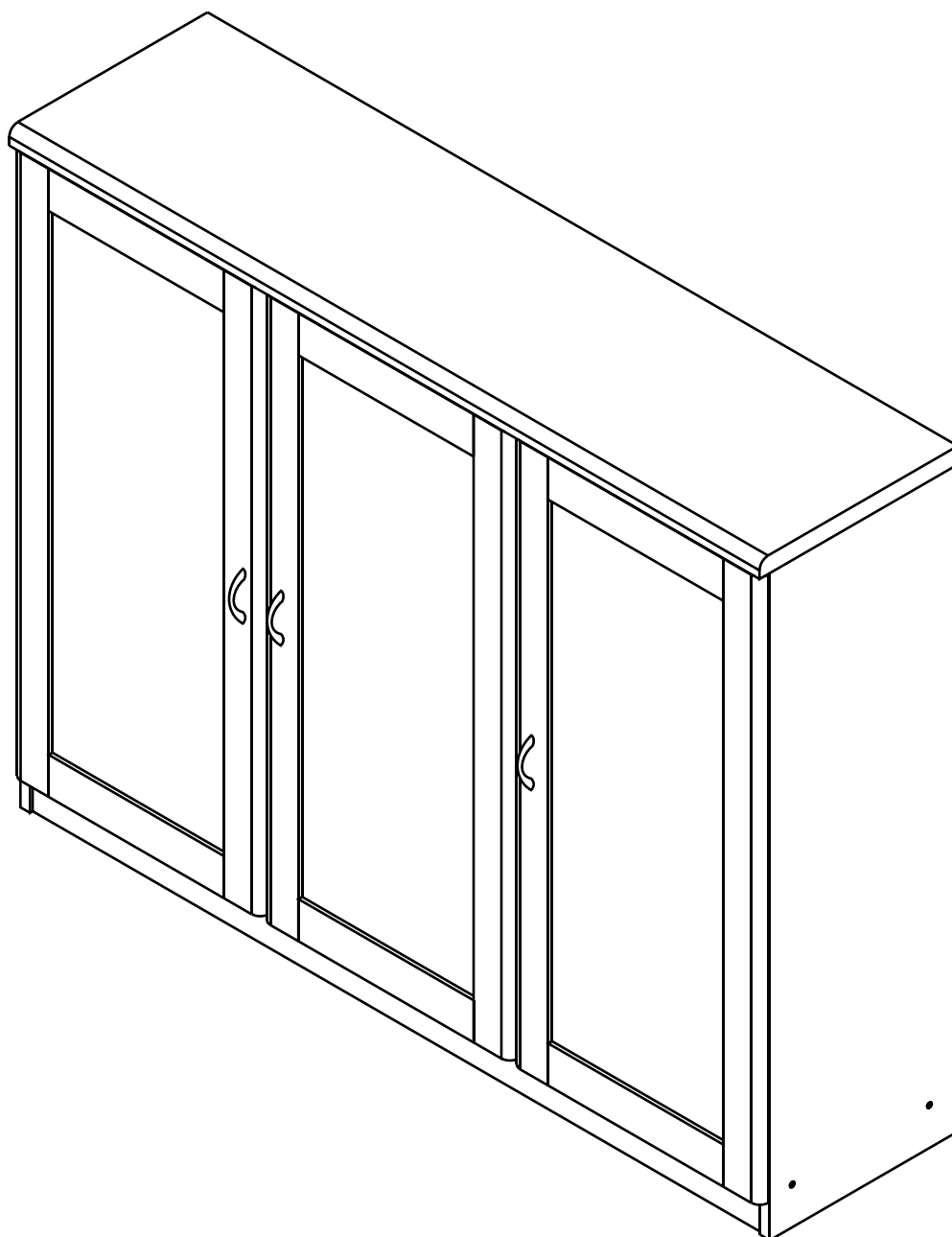
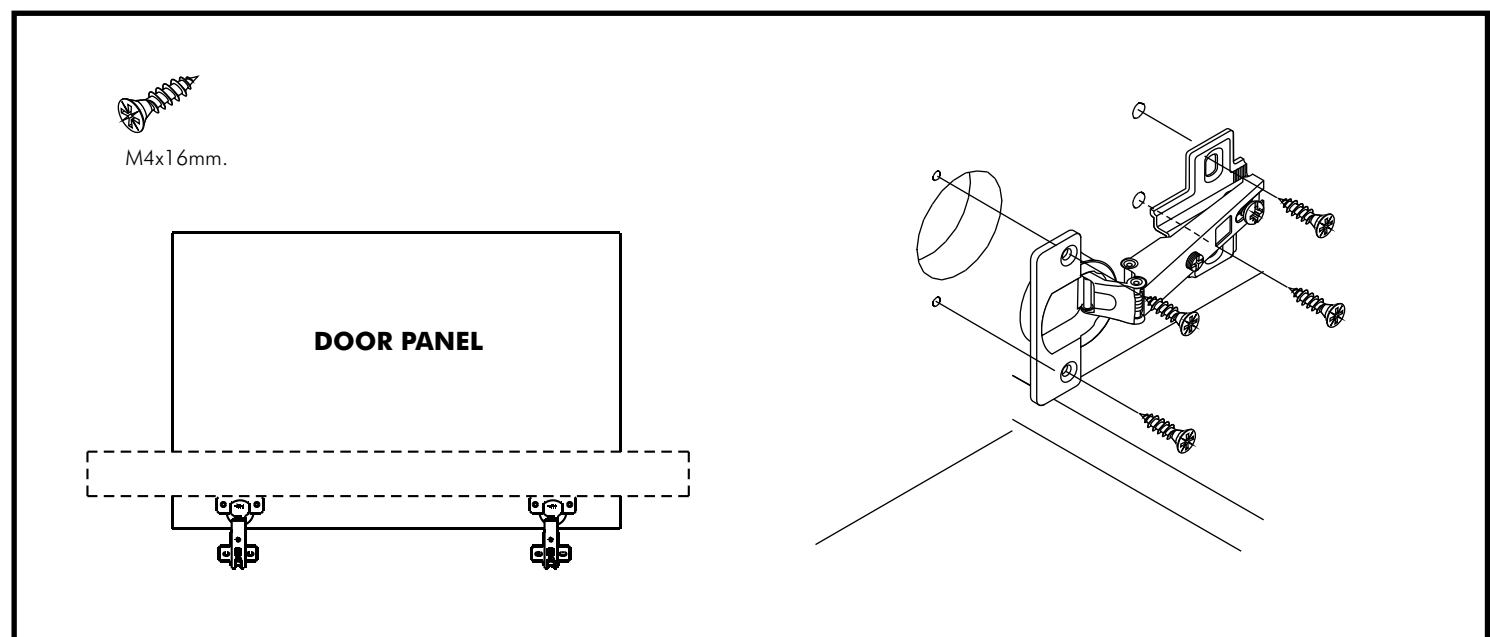
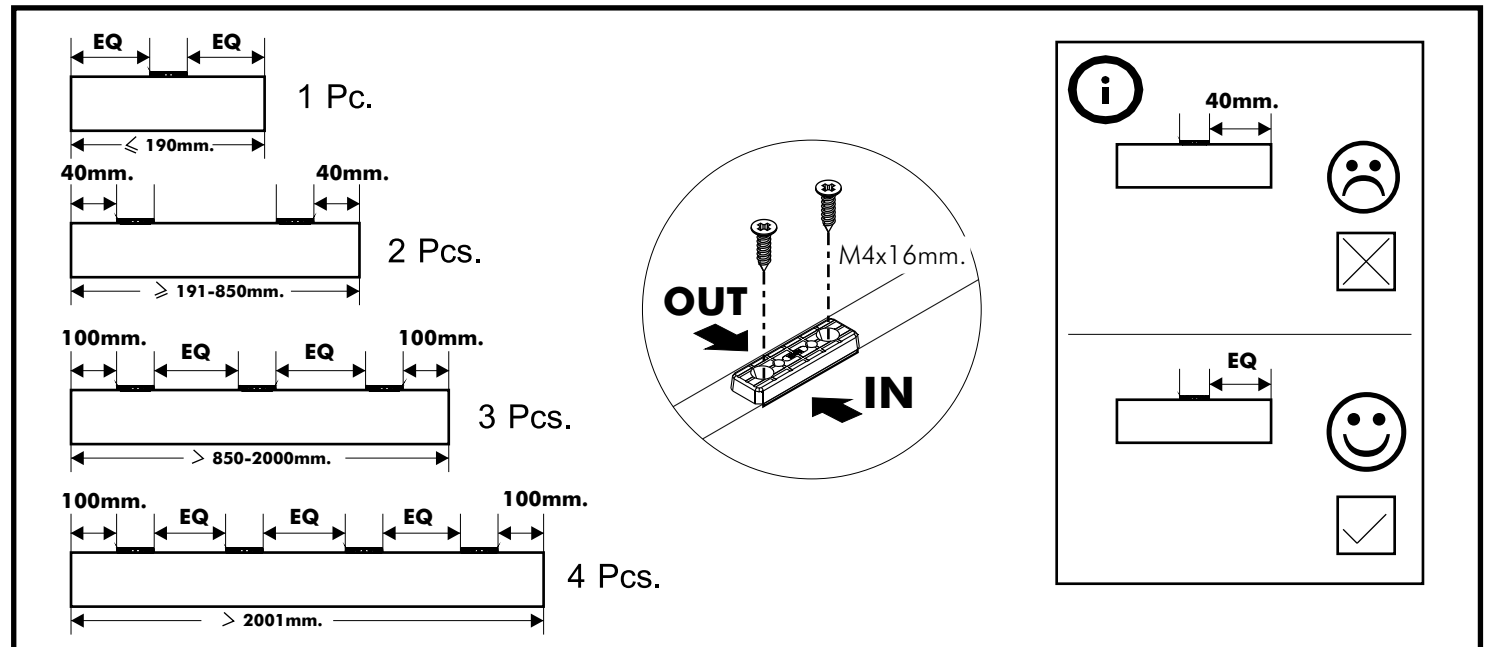
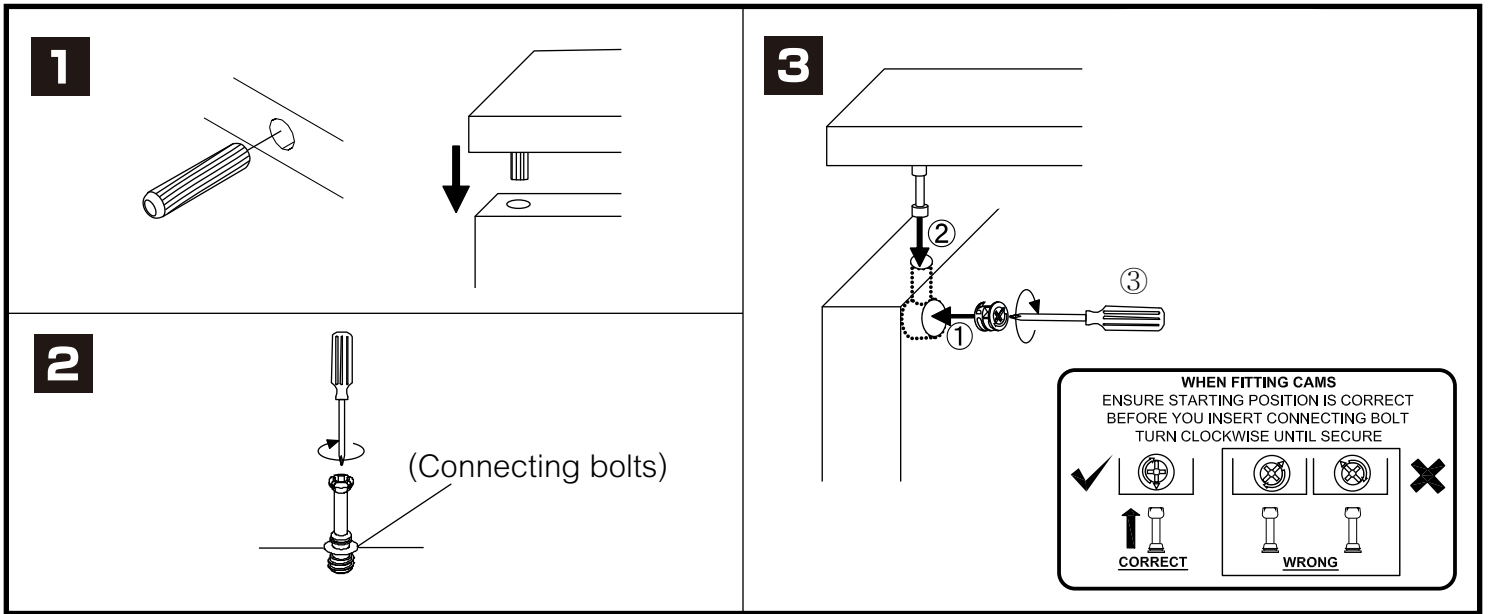


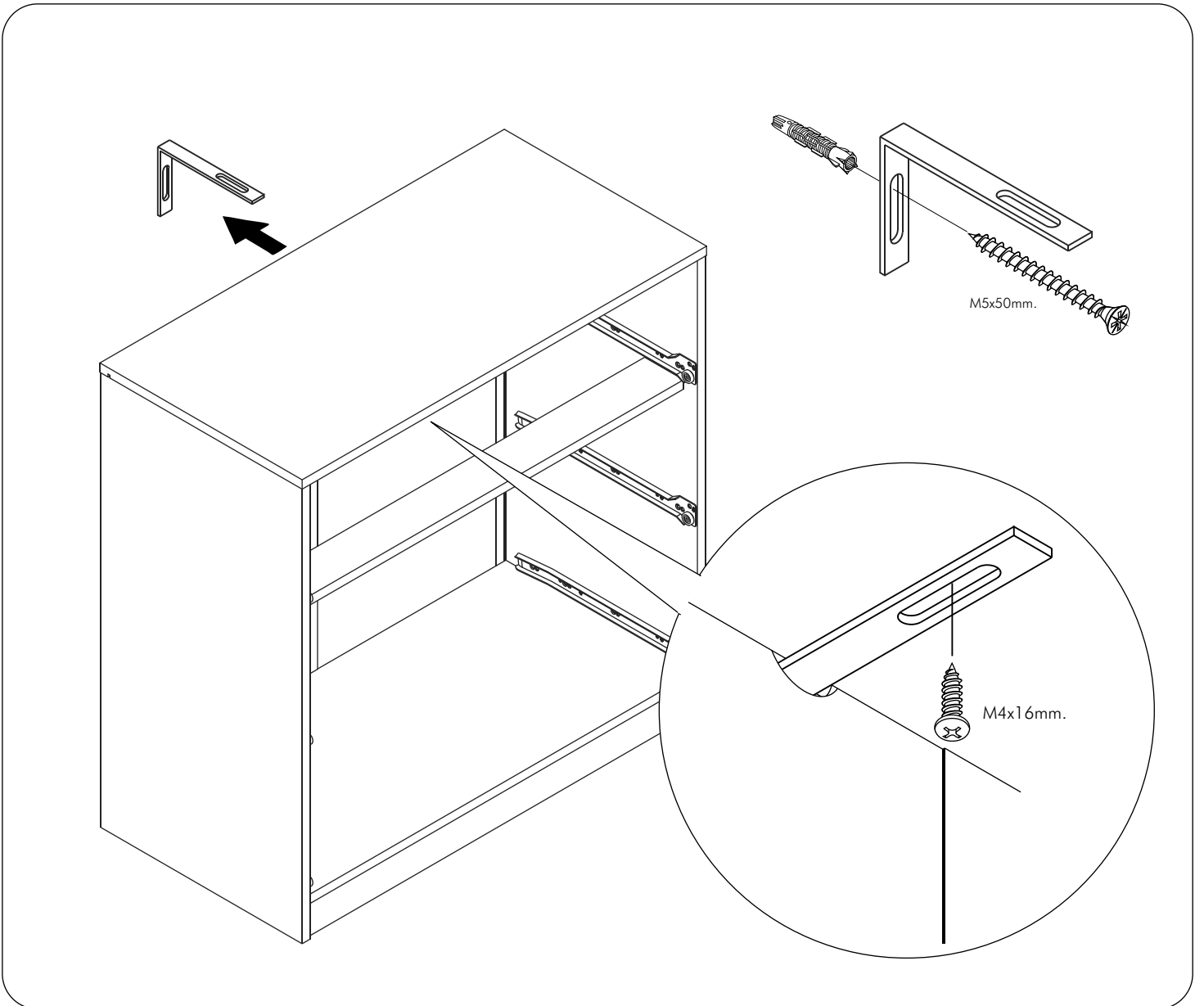
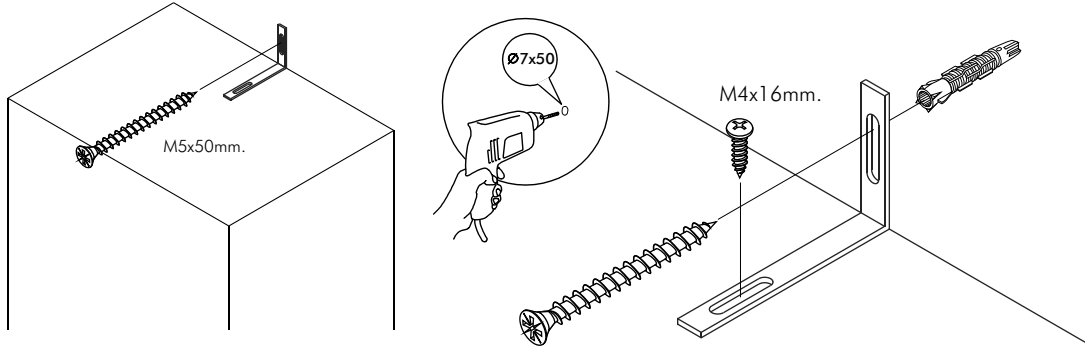
TIMBER-L-P

Shoe cabinet



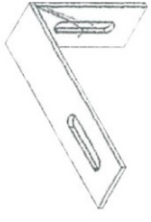
CONNECT SYSTEM



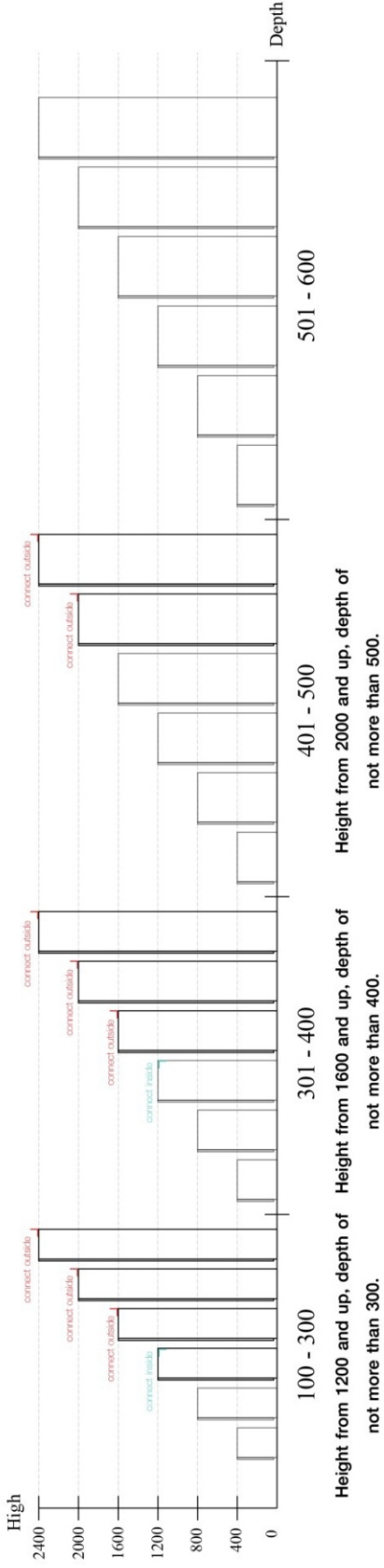


The Standard for identifying which mounted safety fall protection fitting to use **Note : That children's products must be installed with all anti-falling fittings.**

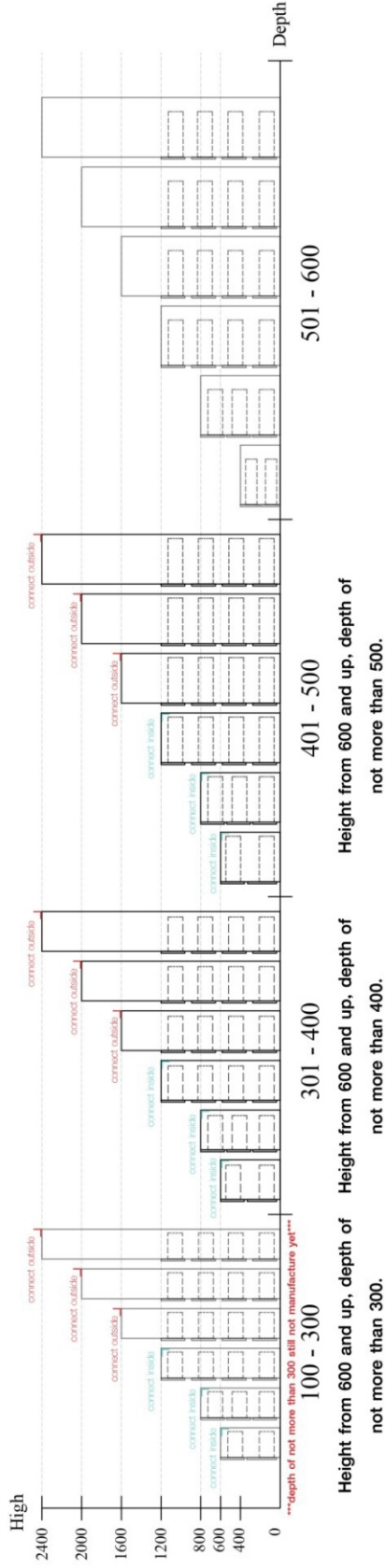
■ Mounted fall protection fittings



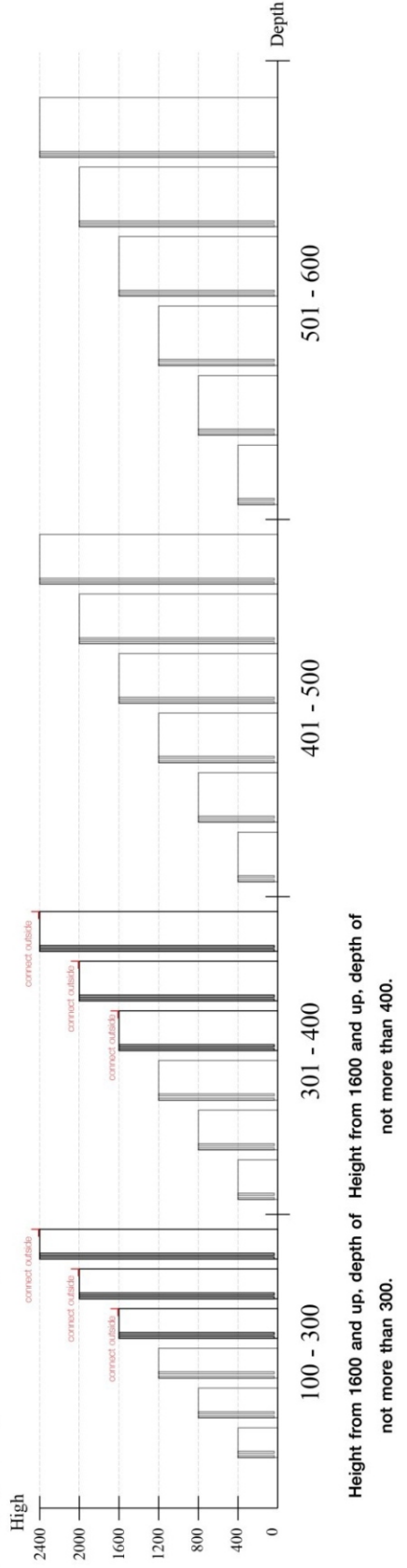
■ Category : Cabinet with open doors



■ Category : Chest of drawers

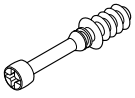


■ Category : Sliding door cabinet / Open cabinet



HARDWARE

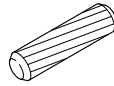
-BODY SET



x 8

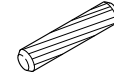


x 8



8x35mm.

x 16

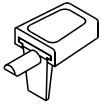


6x35mm.

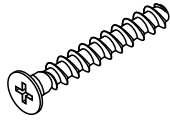
x 25



x 1



x 60



M5.5x38

x 8



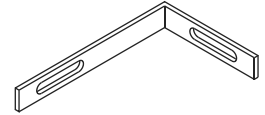
5x5/8"

x 12

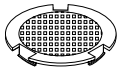


M4x16mm.

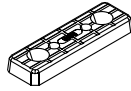
x 12



x 1



x 6



x 6

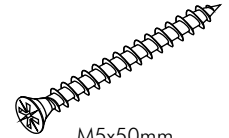


x 4



M4x16mm.

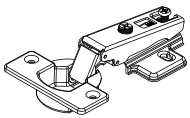
x 1



M5x50mm.

x 1

-DOOR SET



x 6

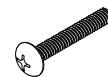


M4x16mm.

x 24



x 3



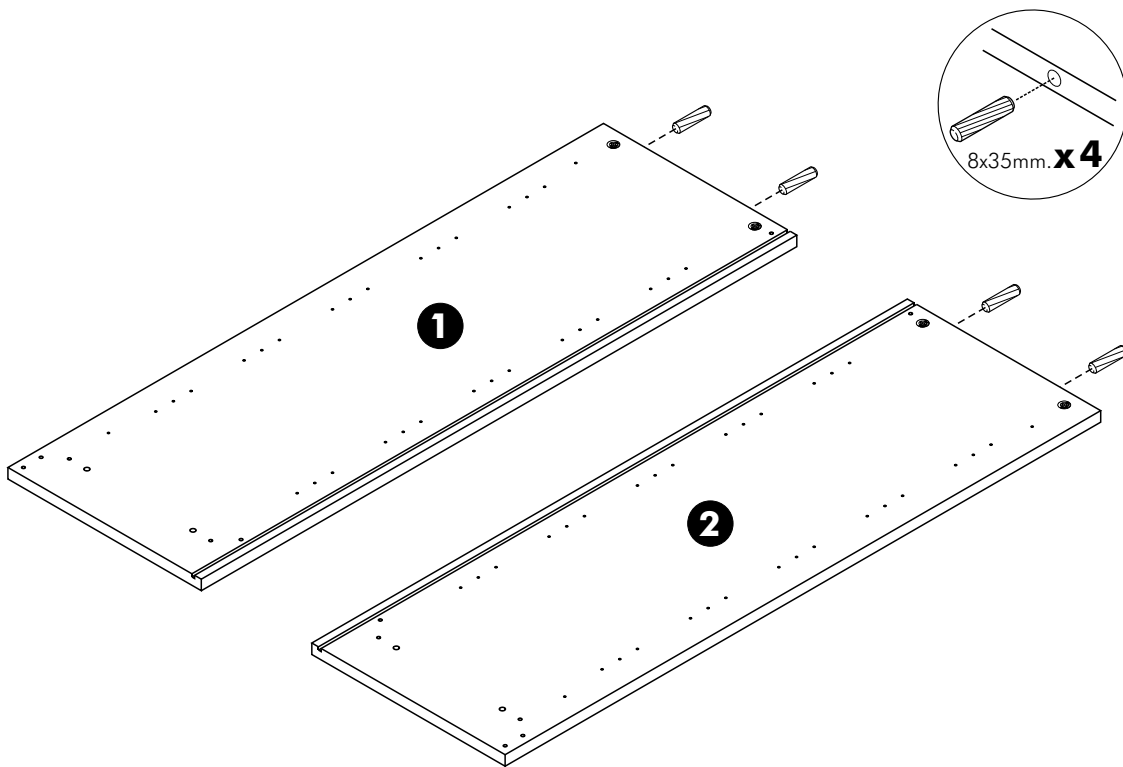
M4x25 mm.

x 6

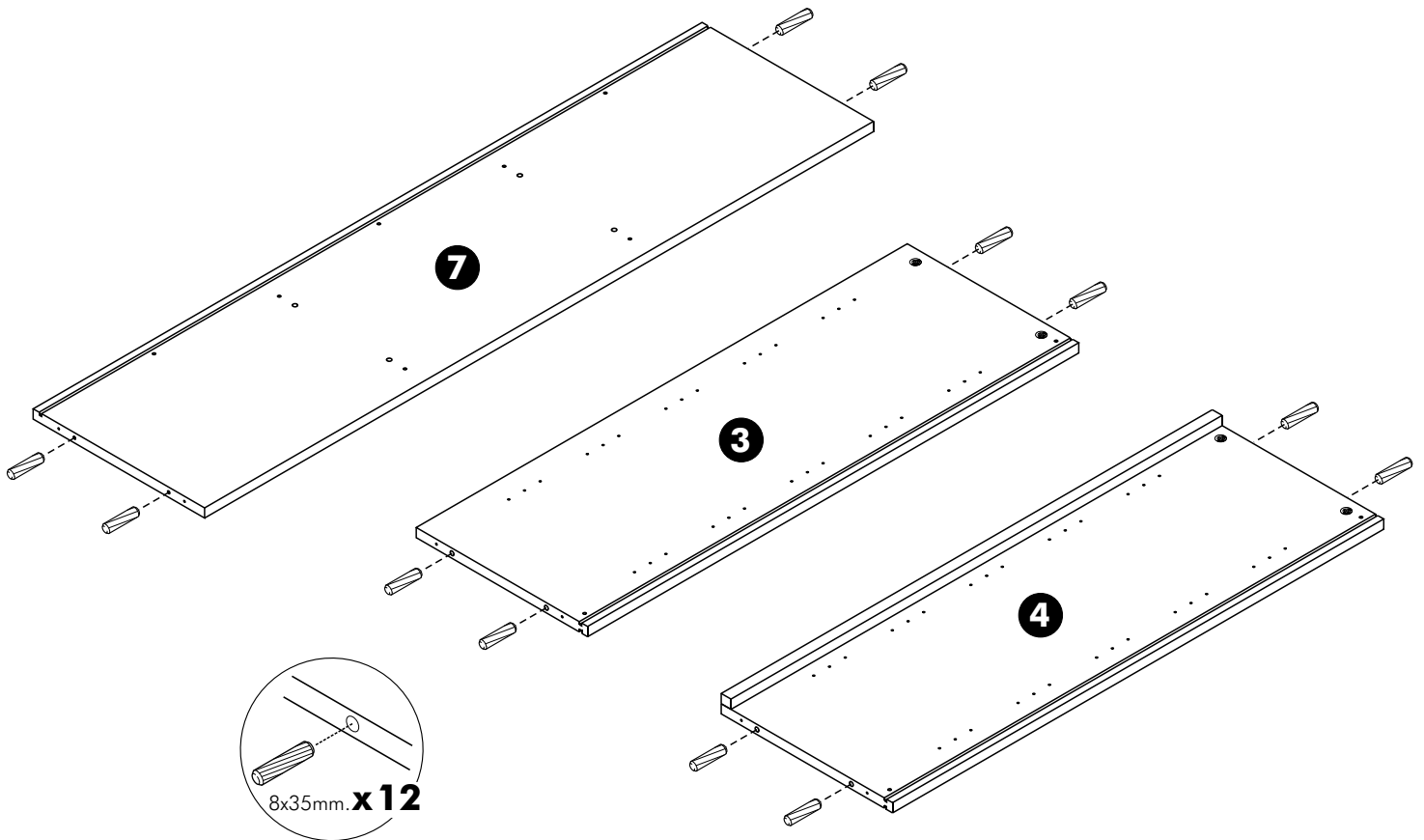
ASSEMBLY

-BODY SET

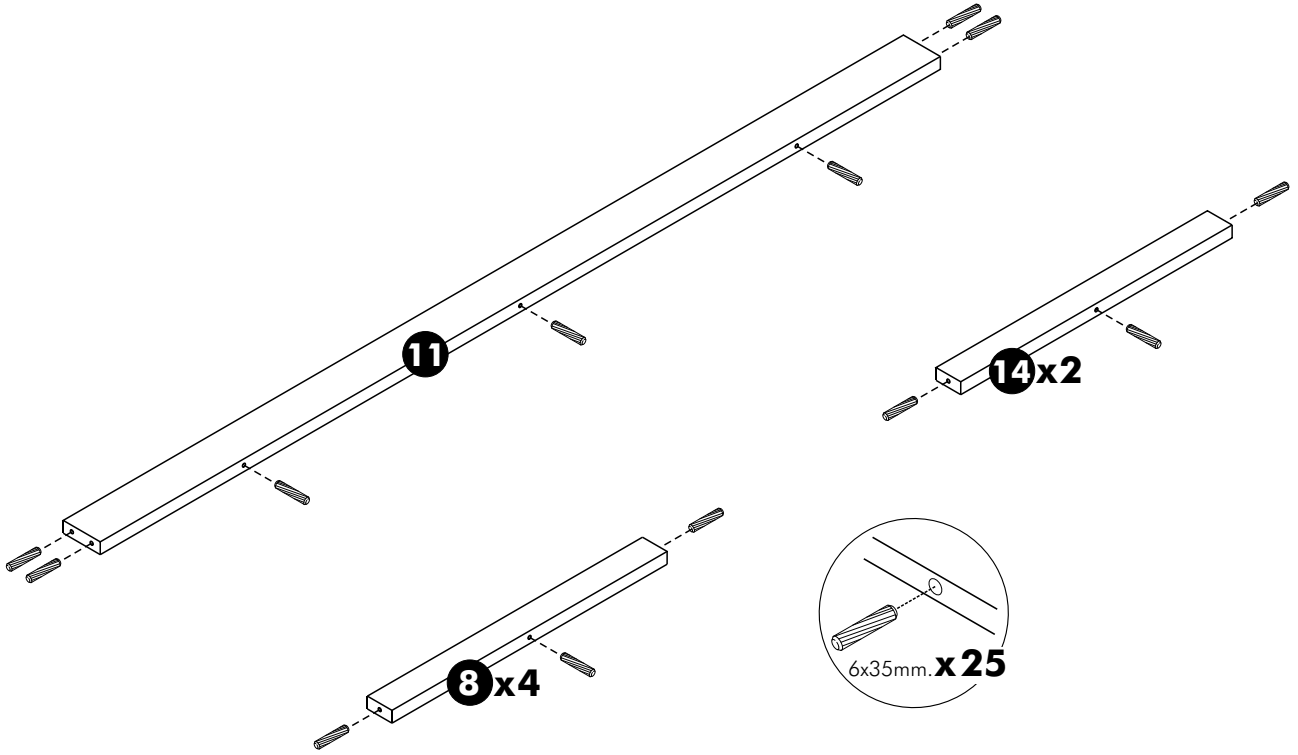
1.



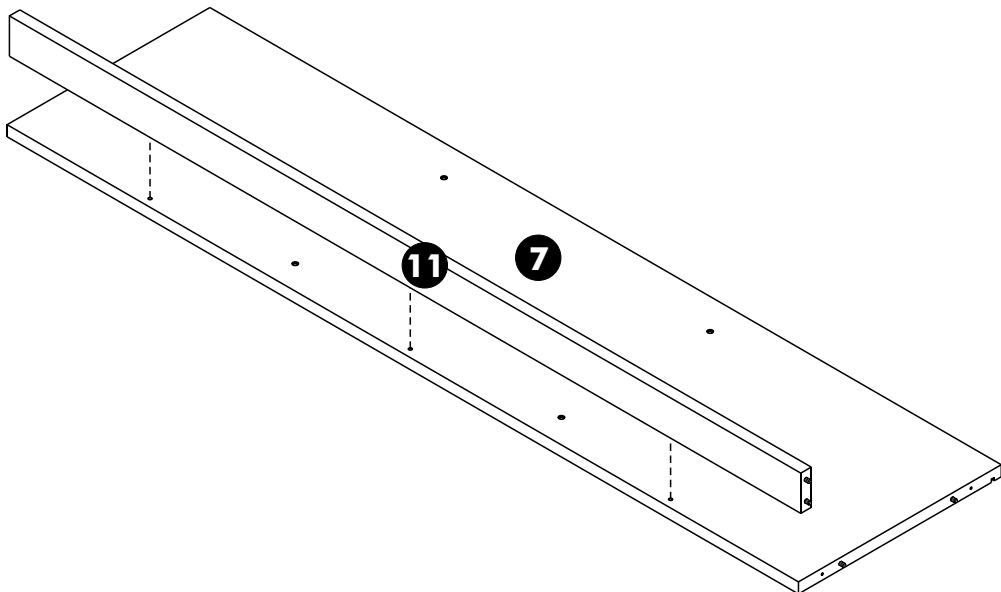
2.



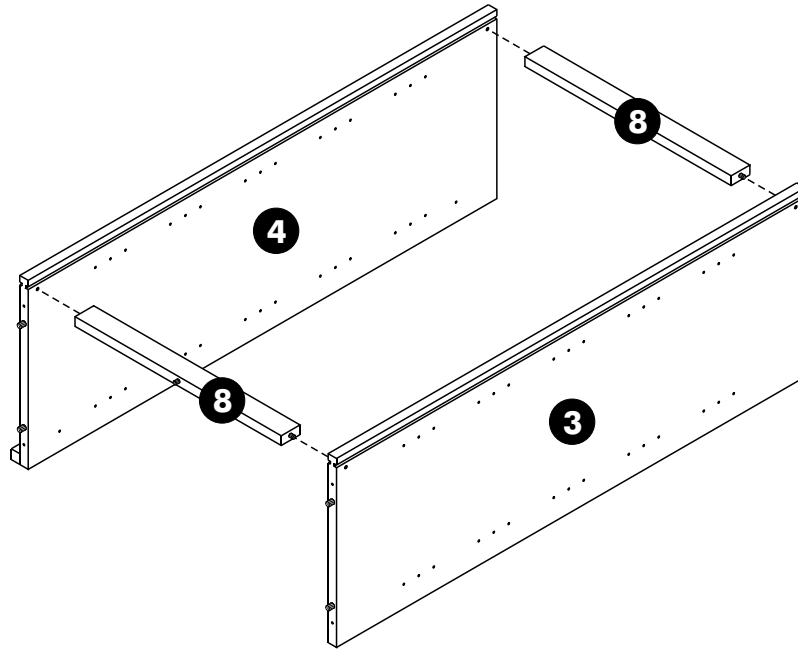
3.



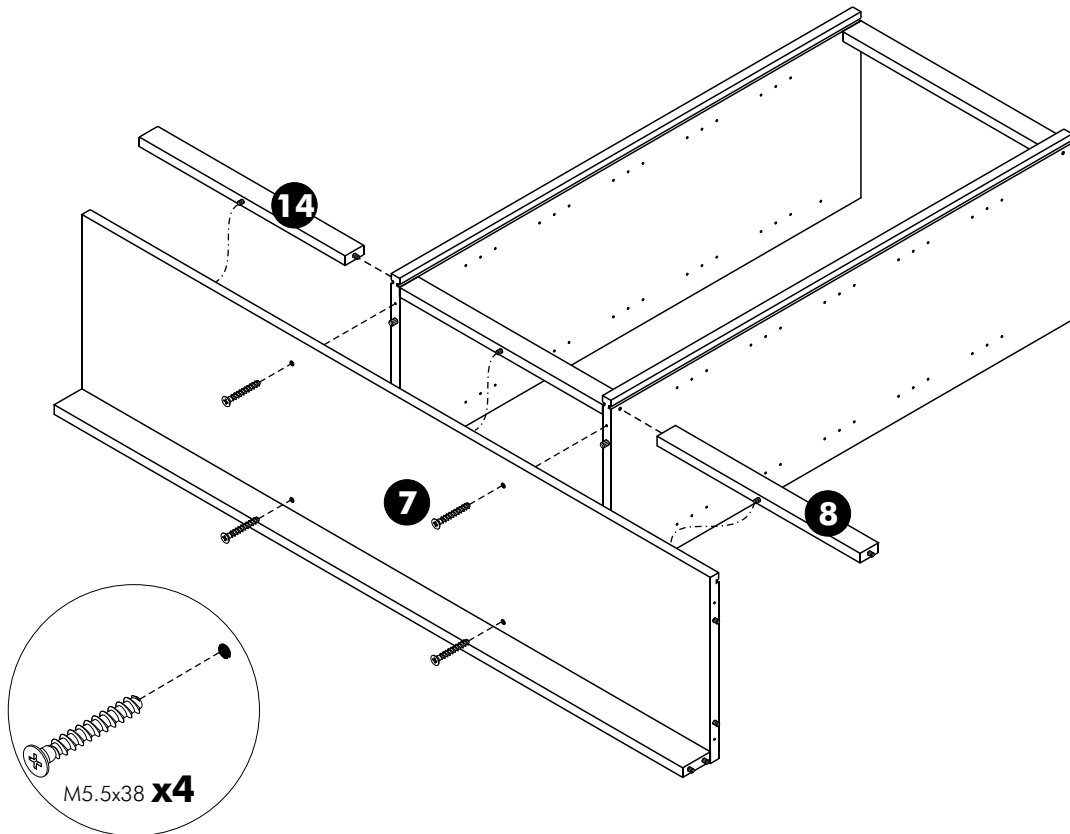
4.



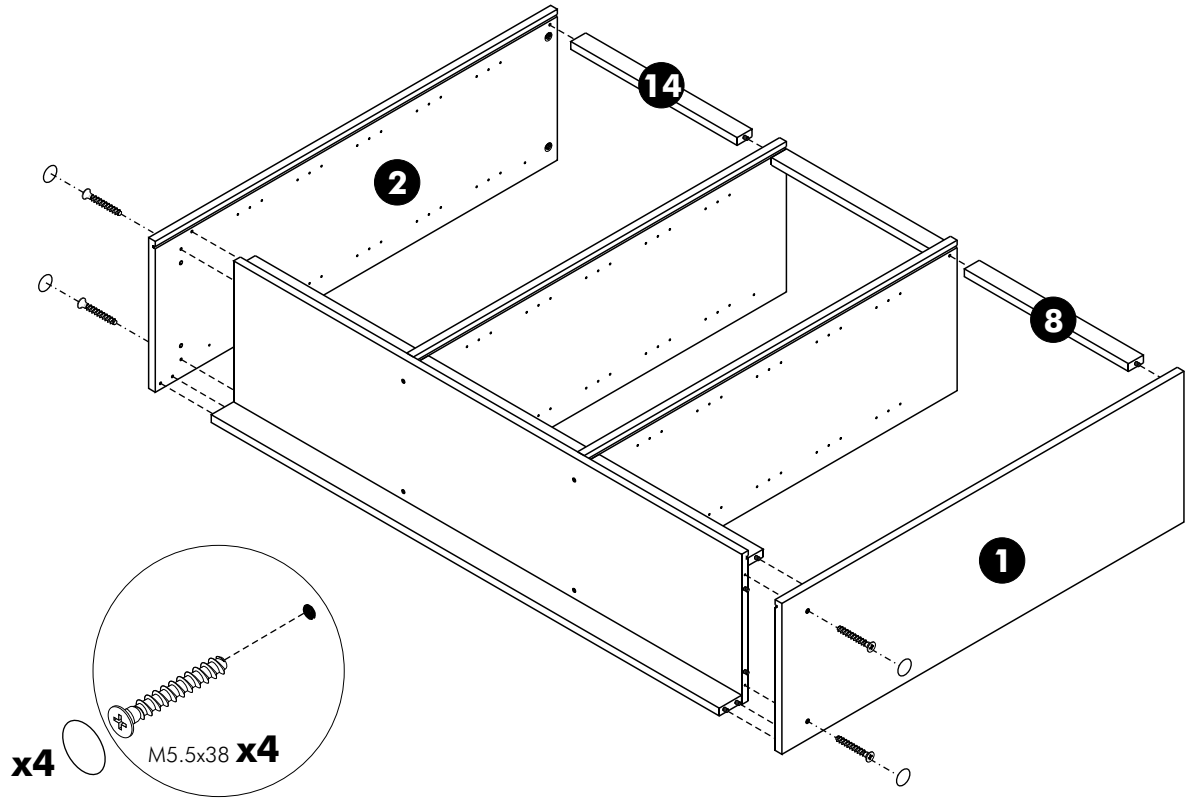
5.



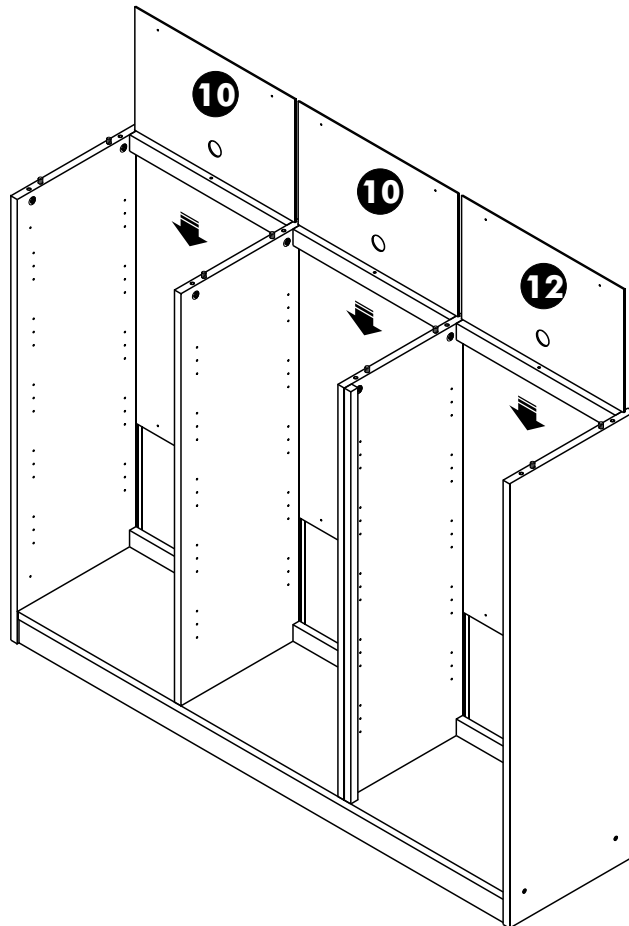
6.



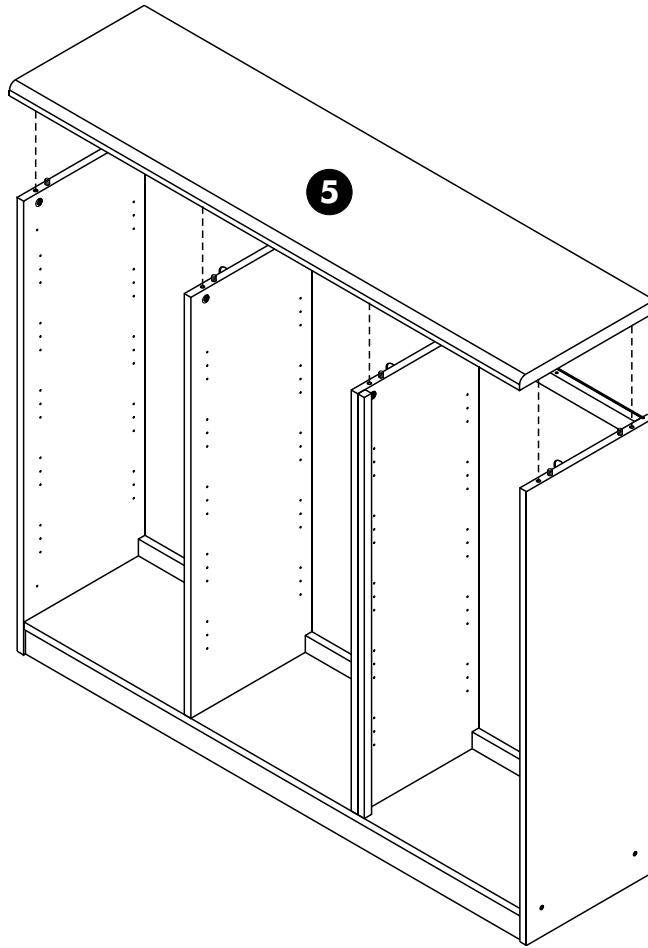
7.



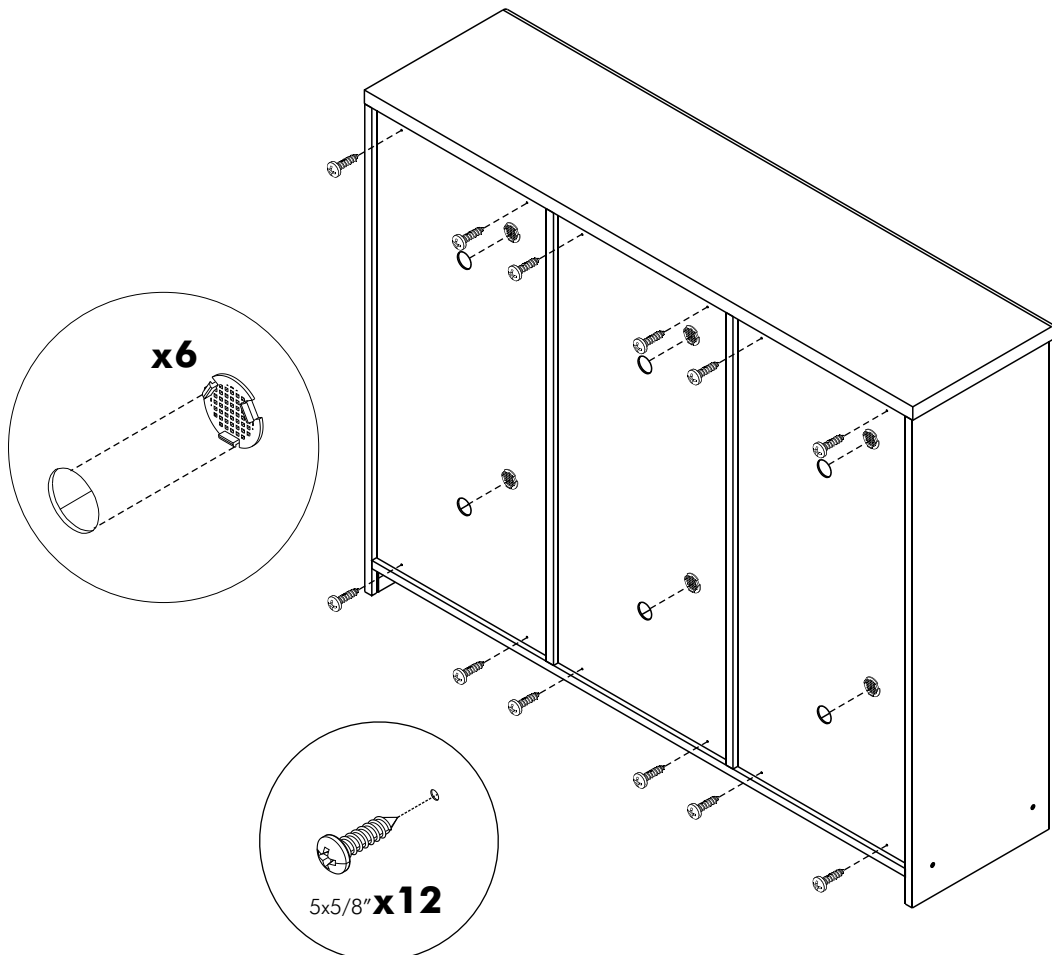
8.



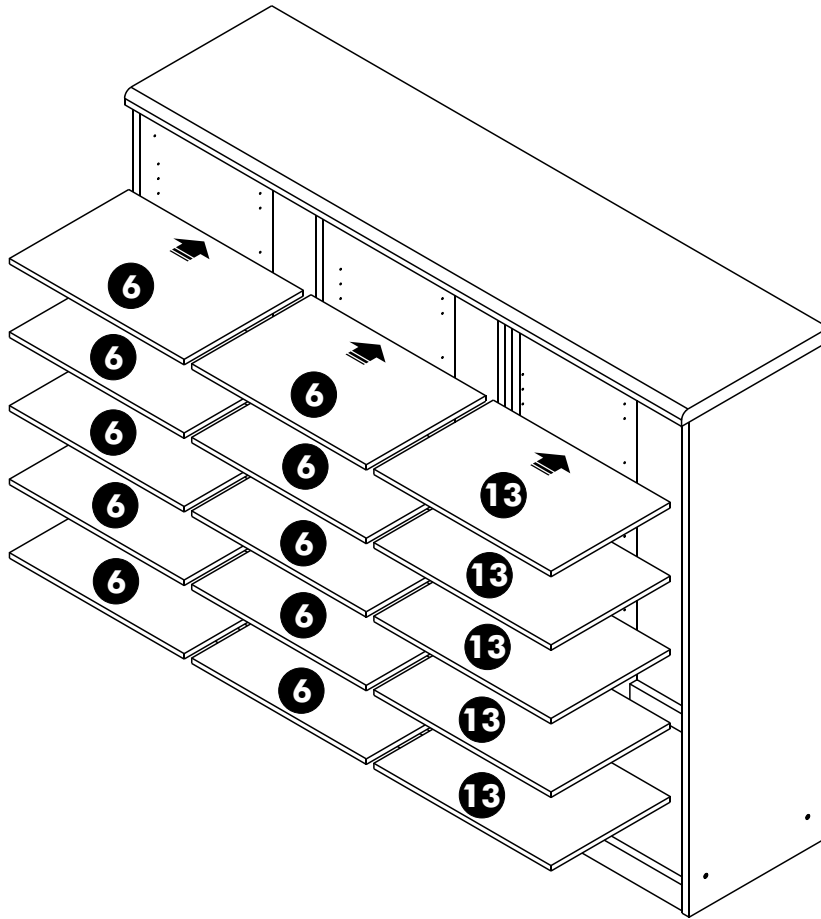
9.



10.



11.



ASSEMBLY

-DOOR SET

