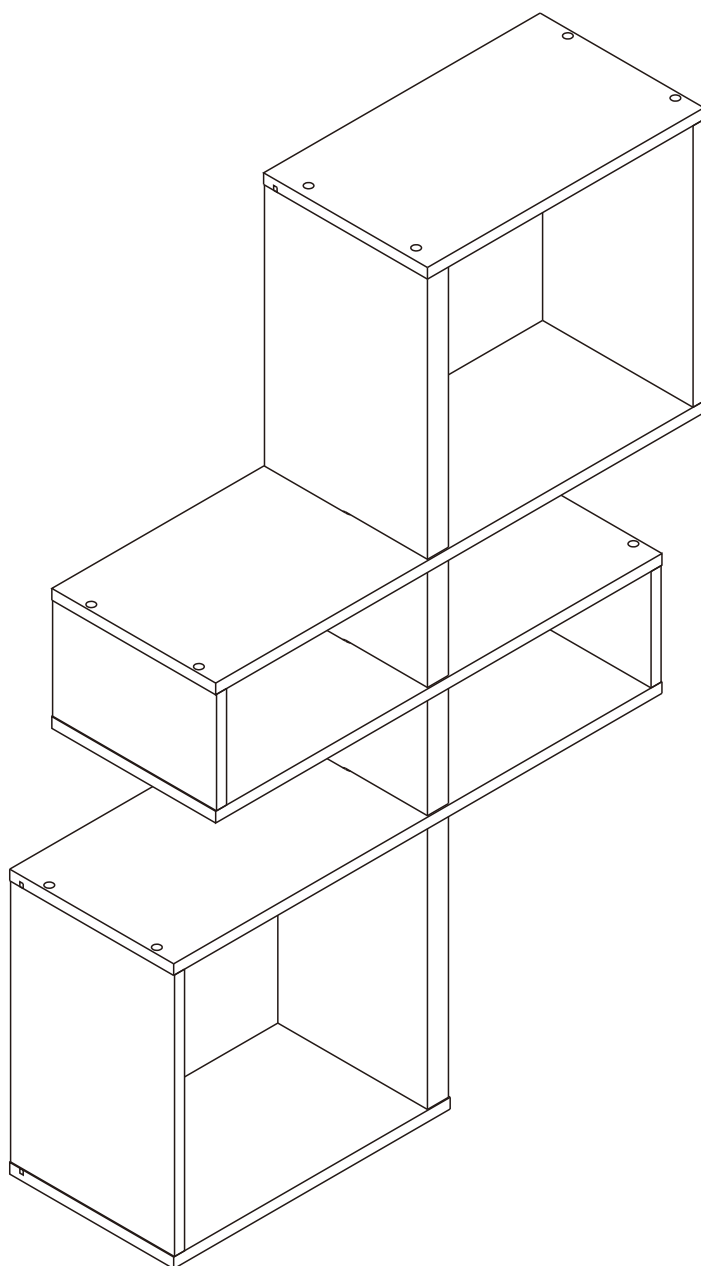


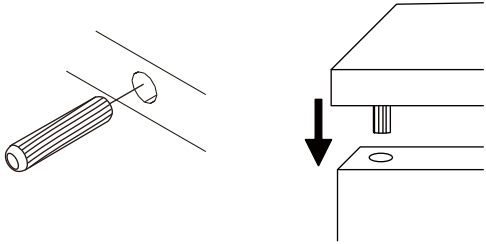
ECONO-A-P

Wall Shelf 65 cm.

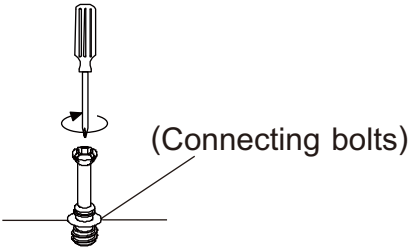


CONNECT SYSTEM

1

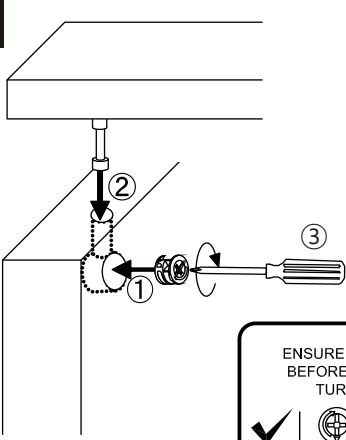


2









(Connecting bolts)

3



WHEN FITTING CAMS
ENSURE STARTING POSITION IS CORRECT
BEFORE YOU INSERT CONNECTING BOLT
TURN CLOCKWISE UNTIL SECURE

✓				✗
↑				
	CORRECT	WRONG		

HARDWARE

- BODY SET



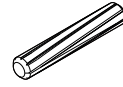
M4x15 mm.

x 2



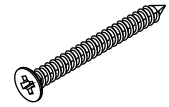
M3x11 mm.

x 22



Ø 6x35 mm.

x 10



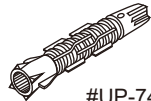
M4x50 mm.

x 6



M4x40 mm.

x 20



#UP-745

x 6

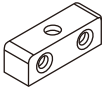


x 4



M3.5x20 mm.

x 4

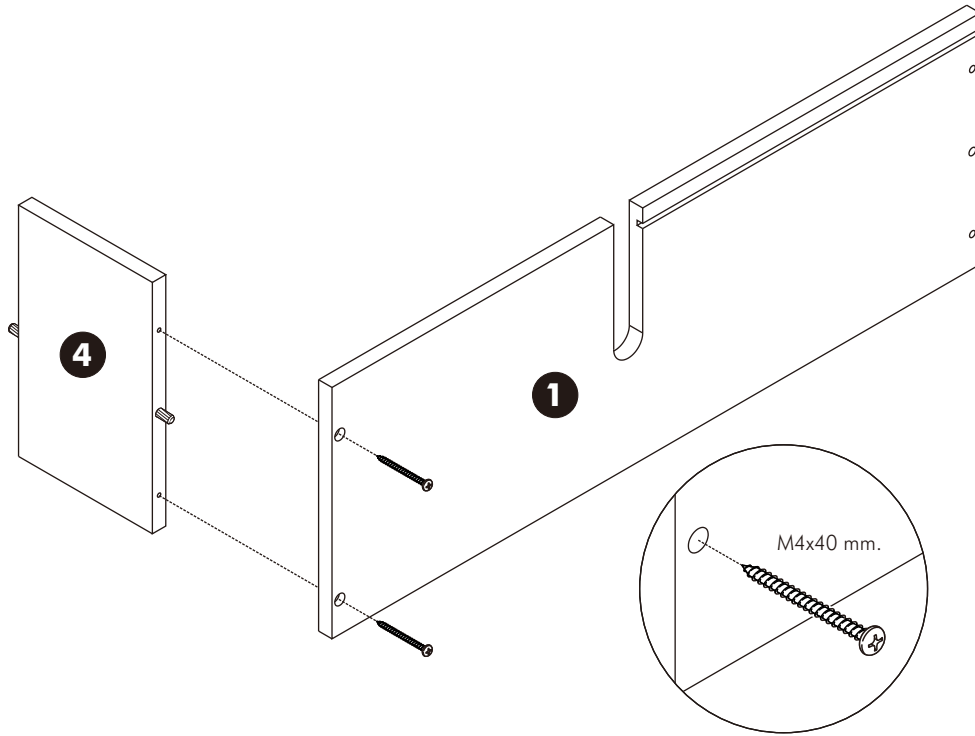


x 2

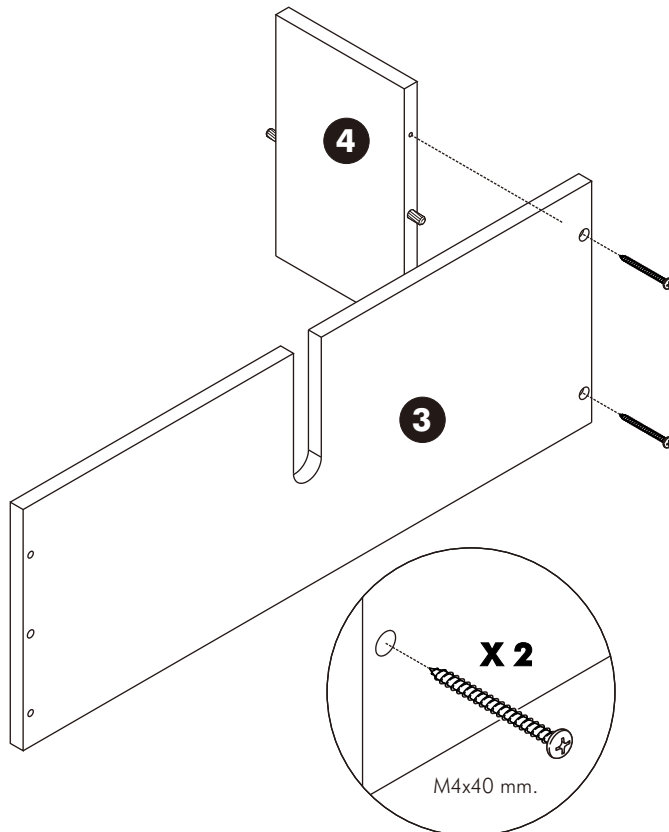
ASSEMBLY

-BODY SET

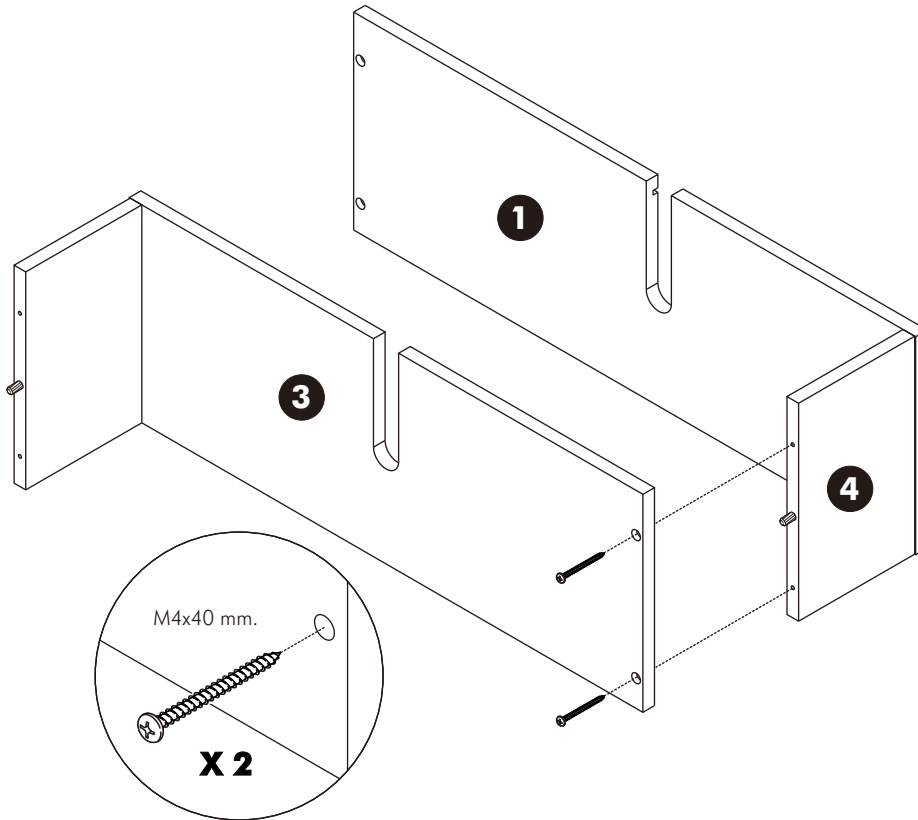
1.



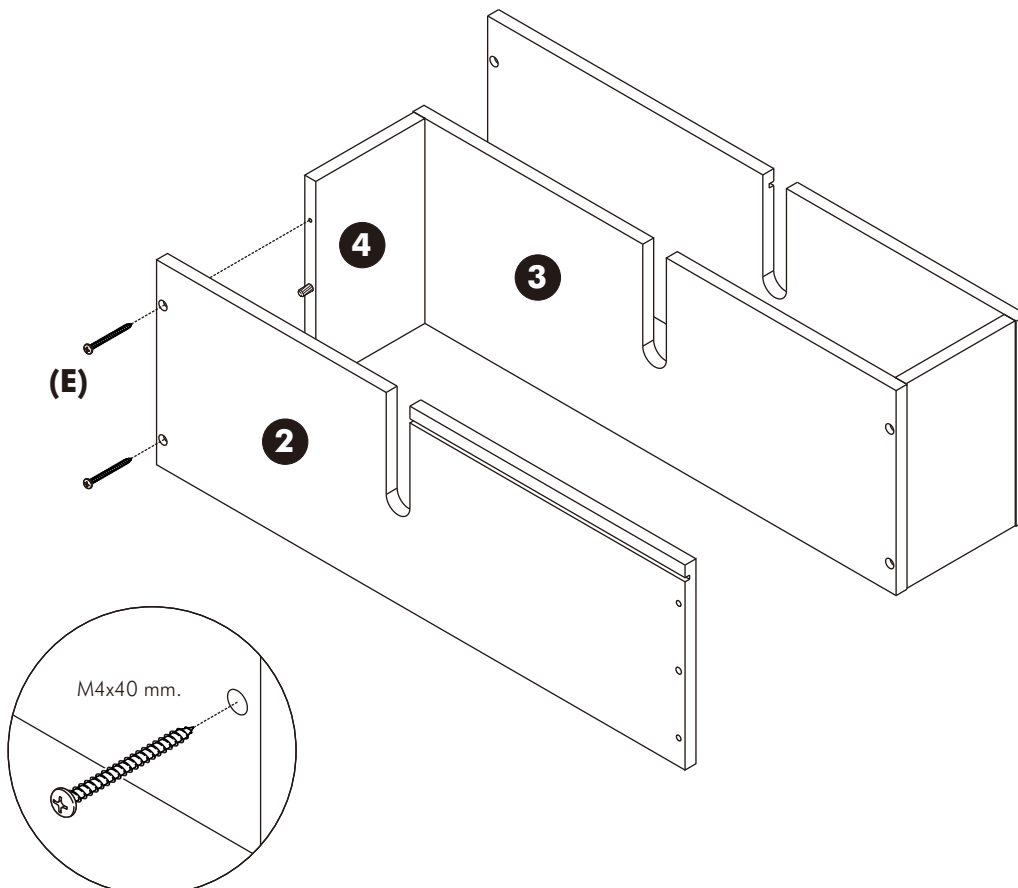
2.



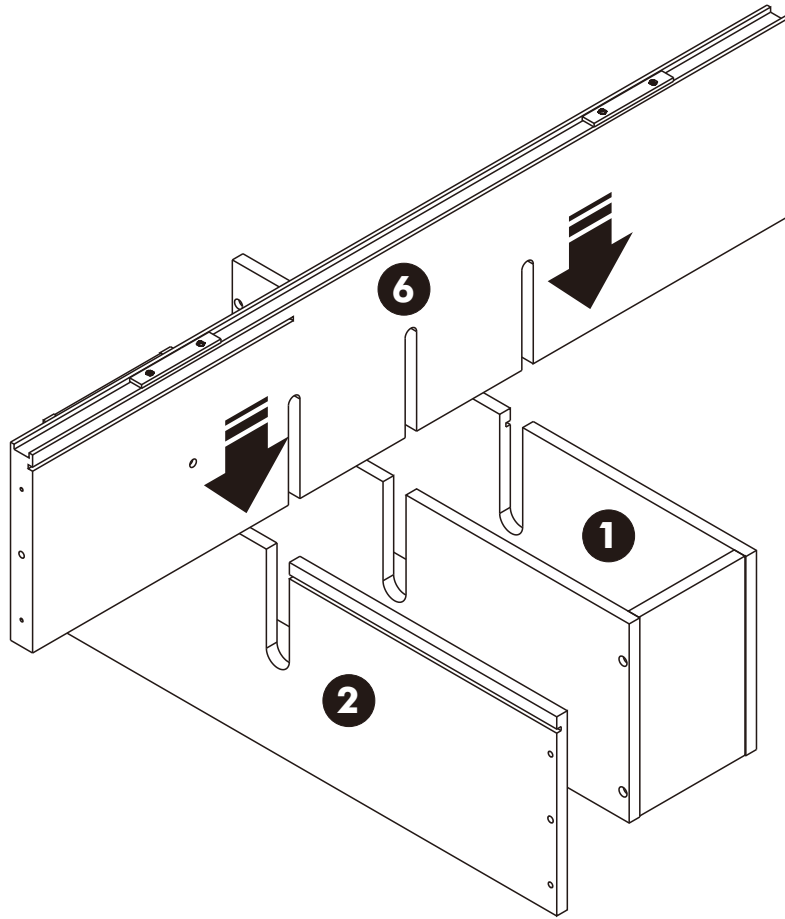
3.



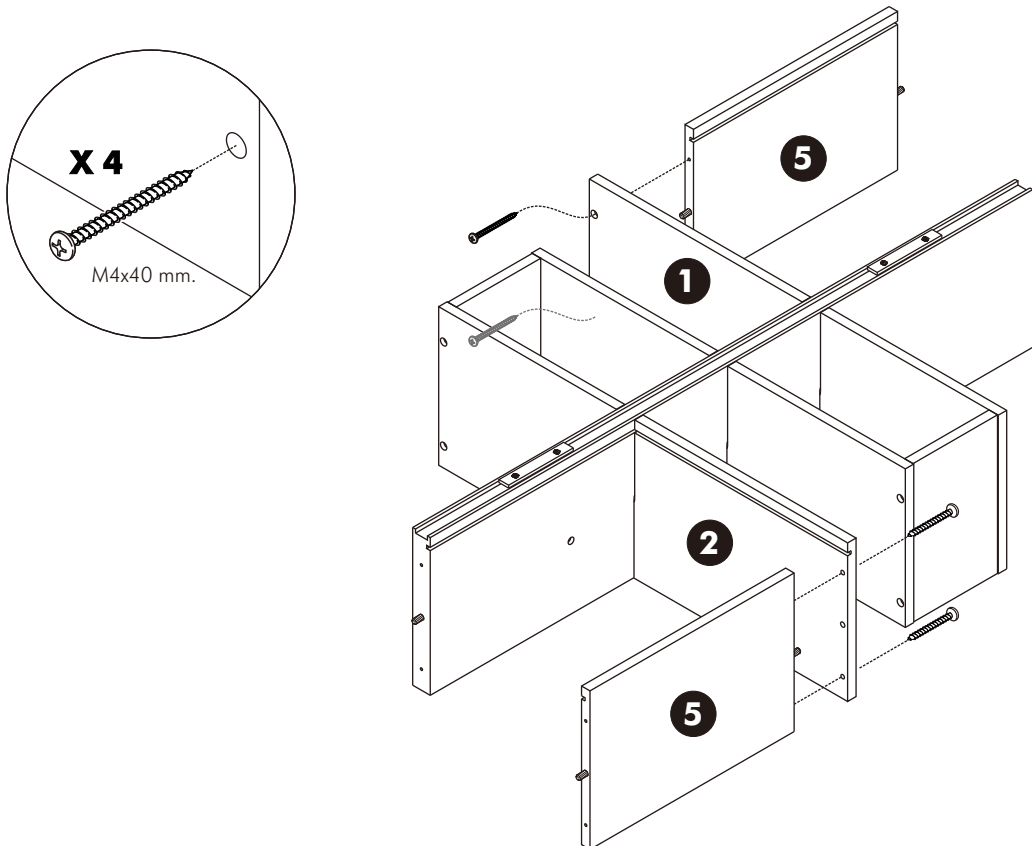
4.



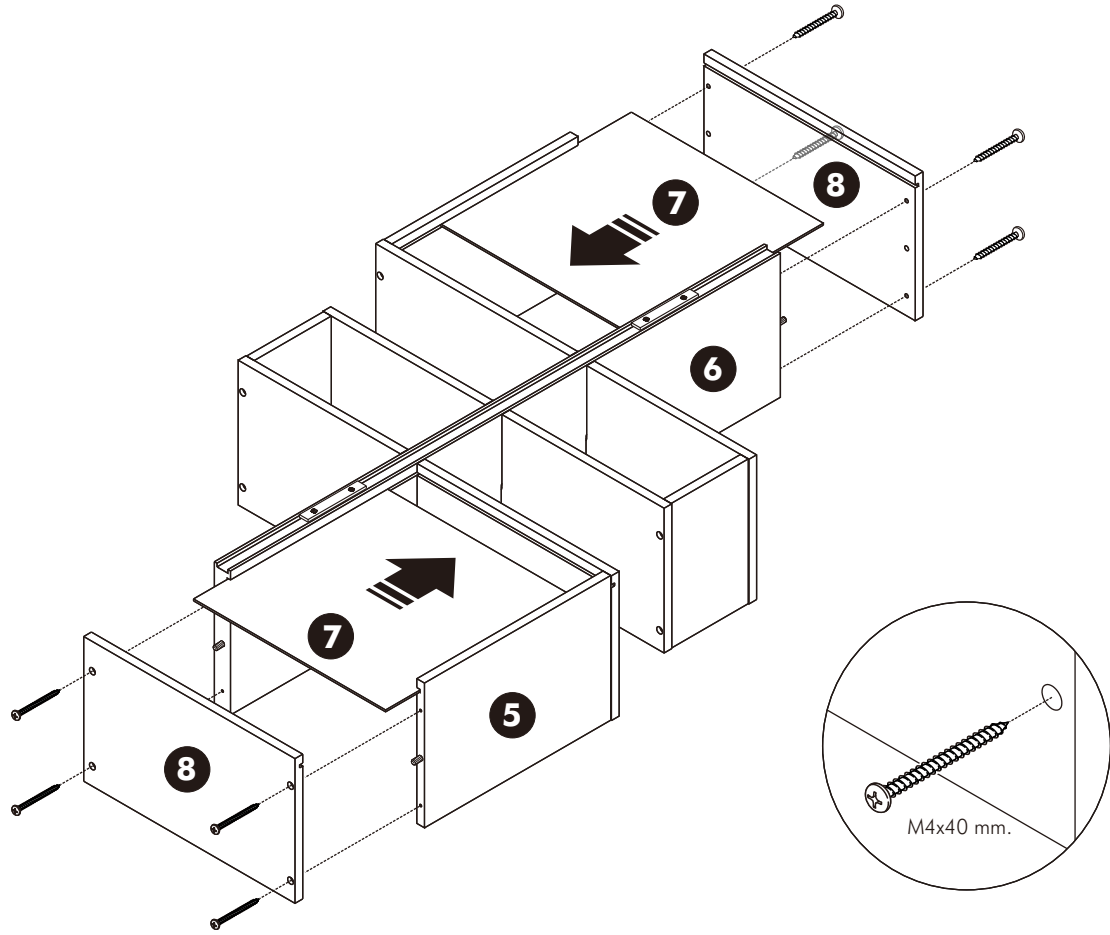
5.



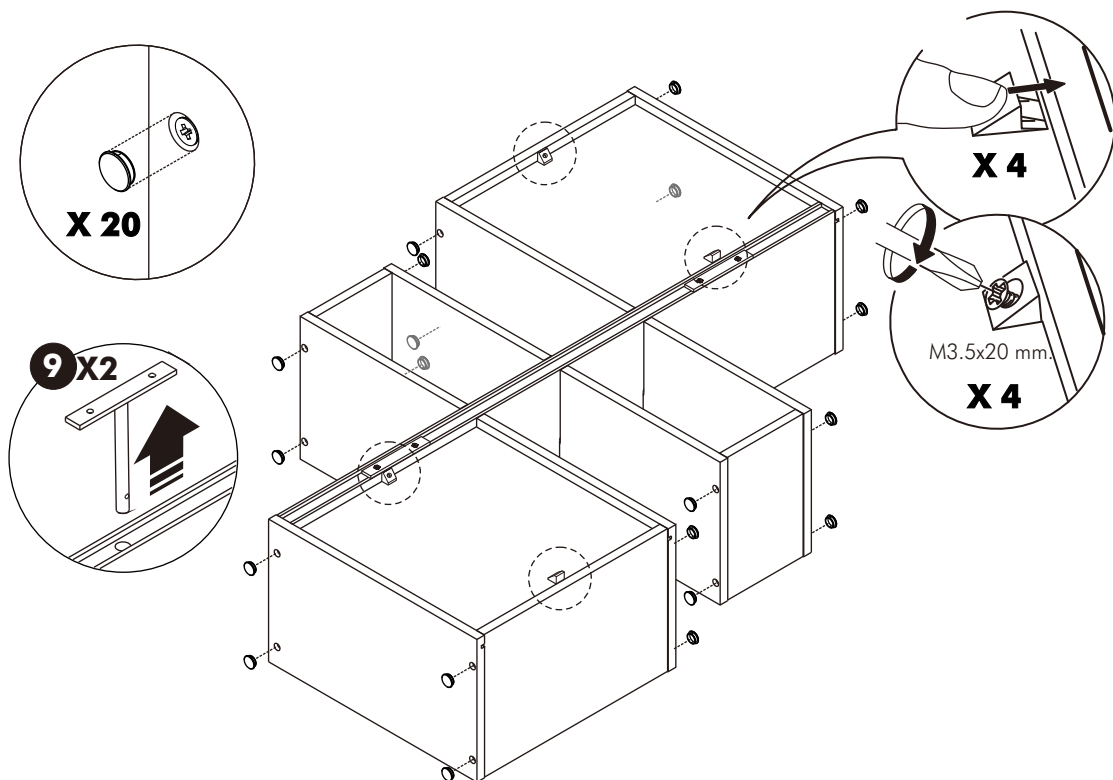
6.



7.

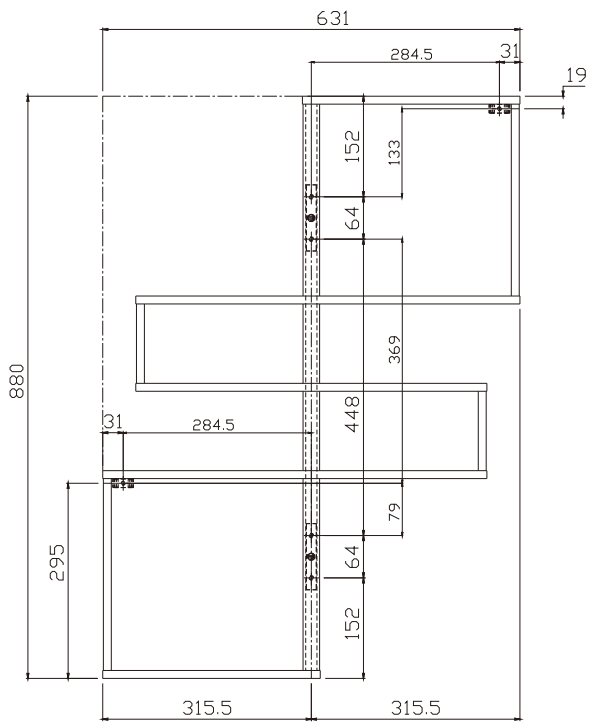


8.

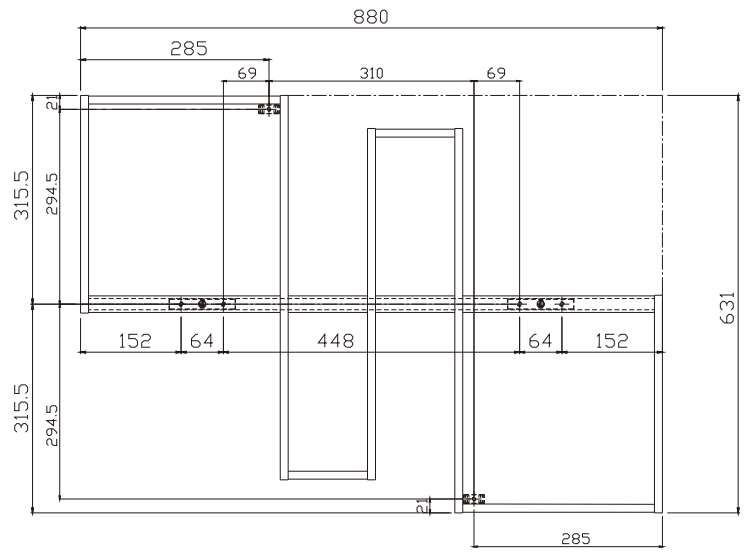




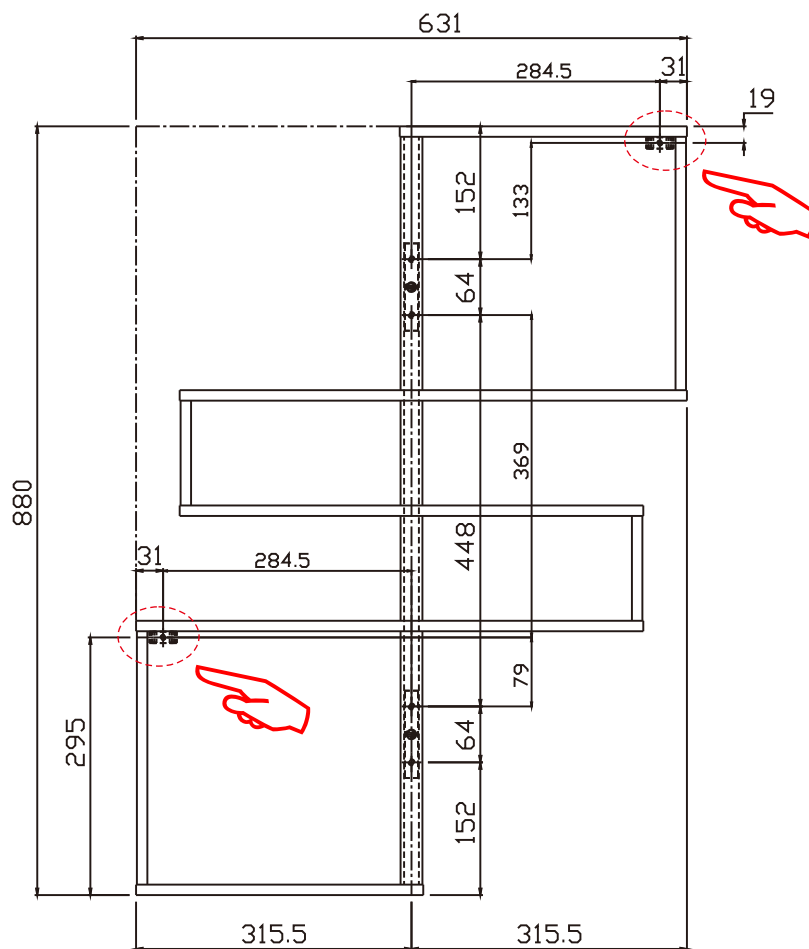
A



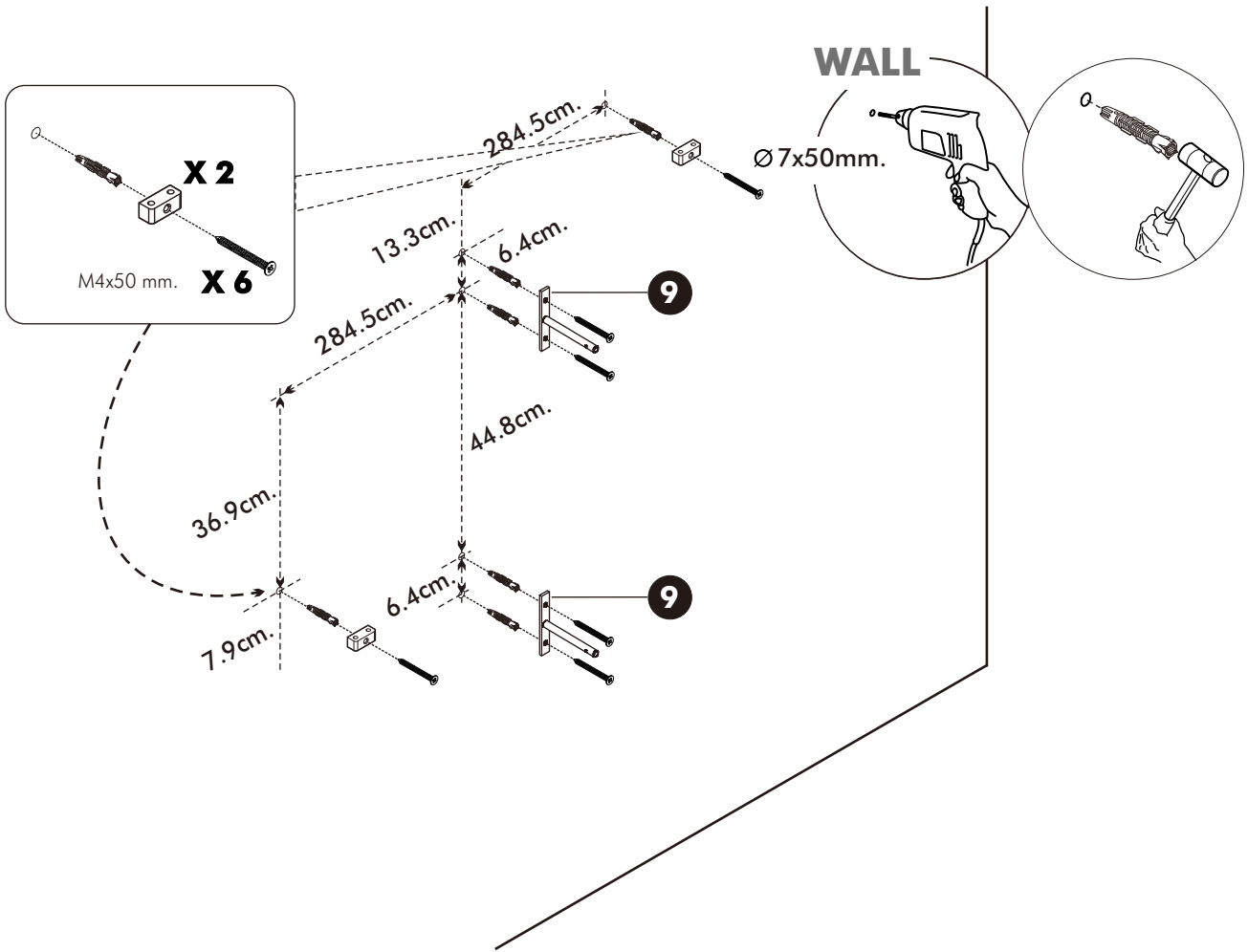
B



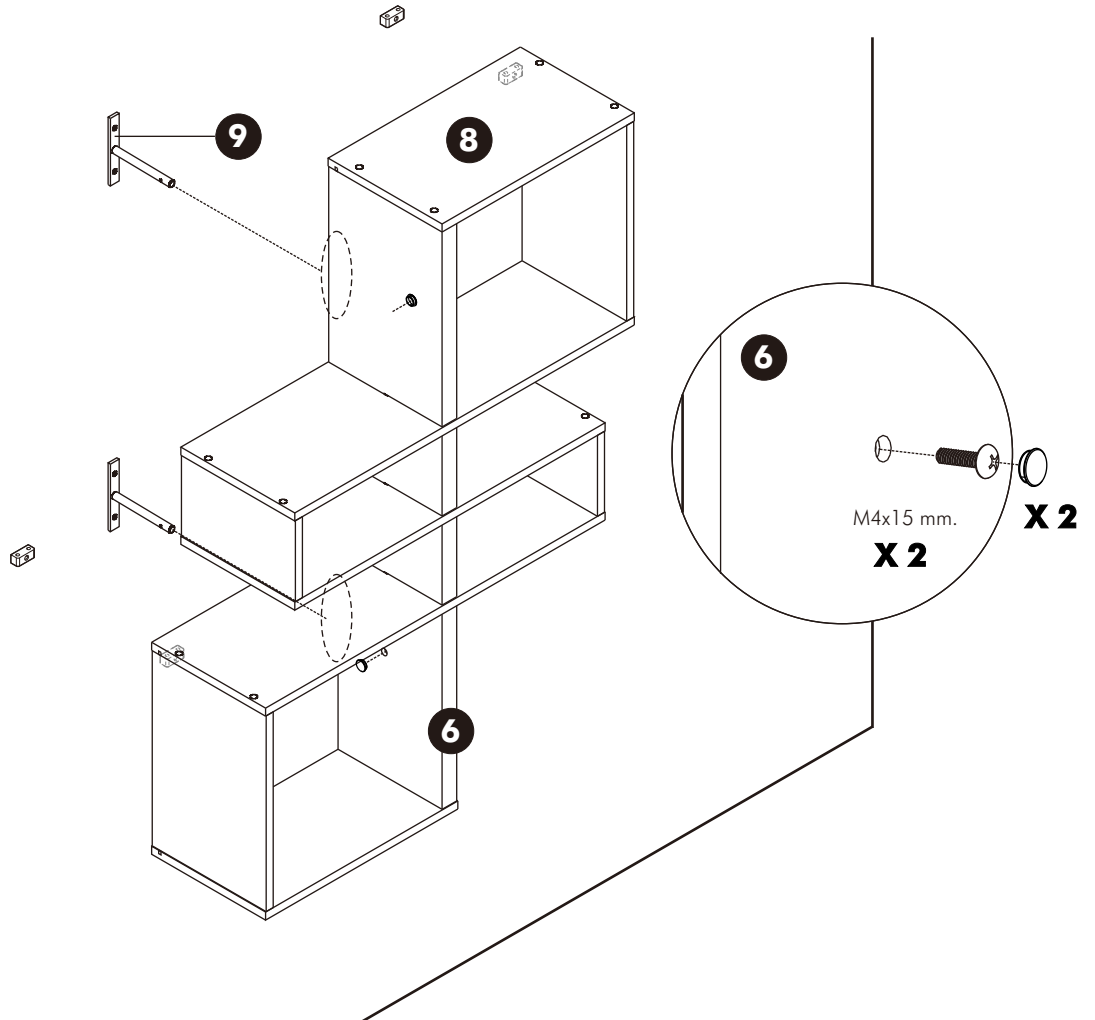
A.



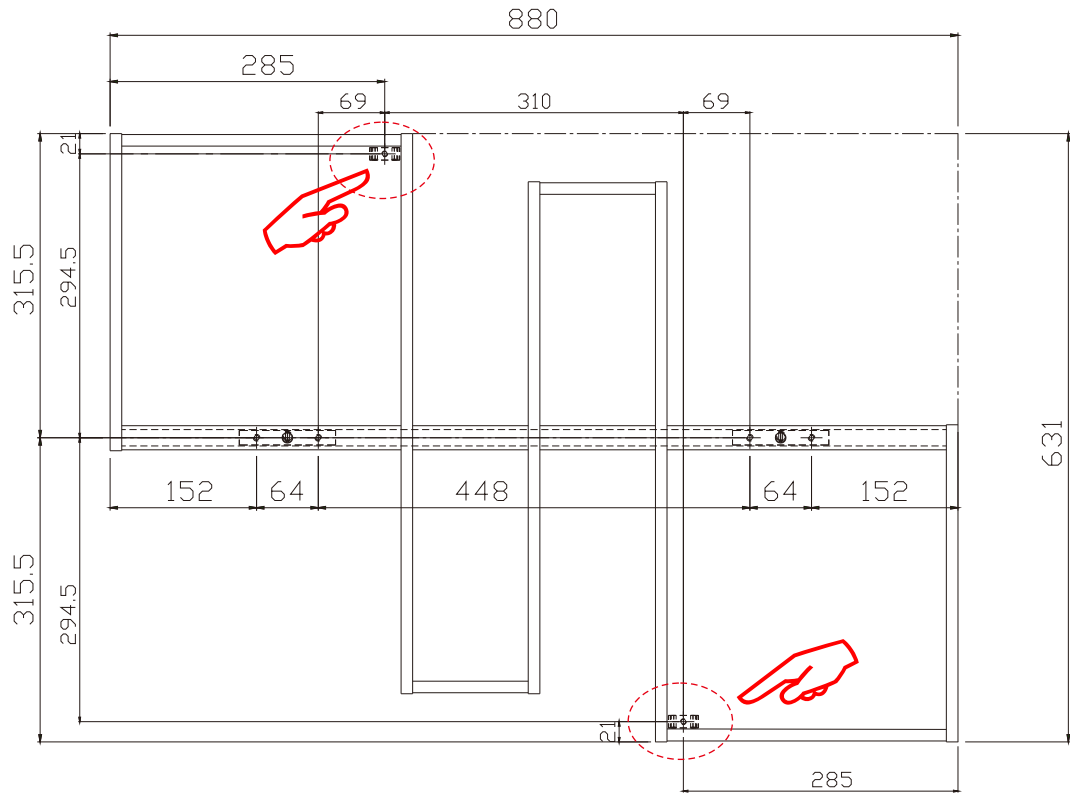
10.A



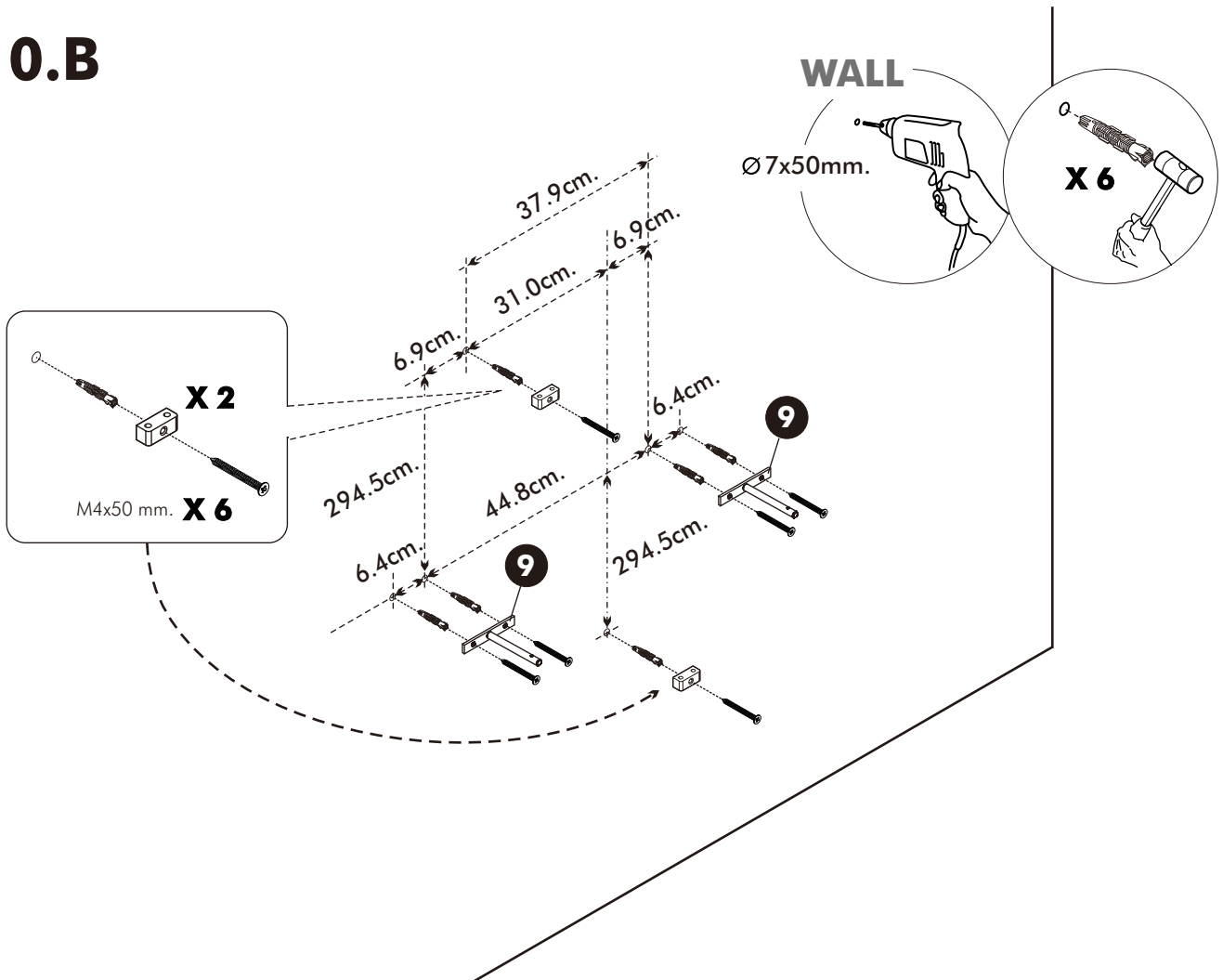
11.A



B.



10.B



11.B

