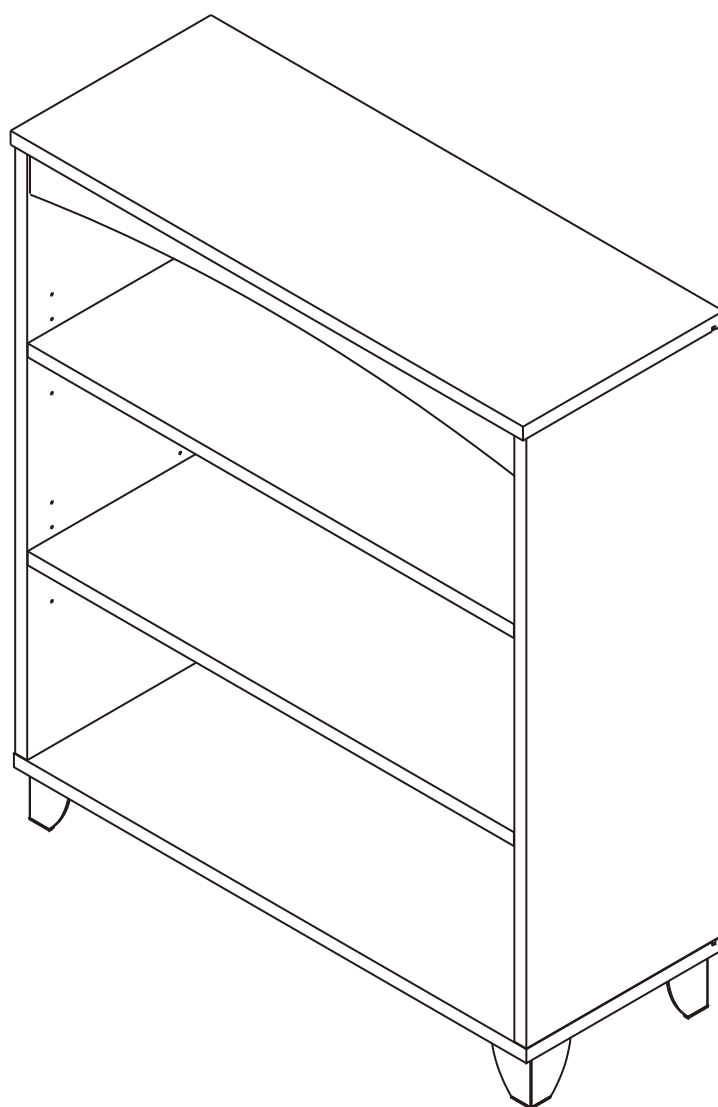


ONE WAY-C-P

Low cabinet



CONNECT SYSTEM

1

3

WHEN FITTING CAMS
 ENSURE STARTING POSITION IS CORRECT
 BEFORE YOU INSERT CONNECTING BOLT
 TURN CLOCKWISE UNTIL SECURE

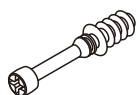
| | | | |
|---|------------------------------|------------------------------|--|
| <input checked="" type="checkbox"/> | <input type="checkbox"/> | <input type="checkbox"/> | |
| <input checked="" type="checkbox"/> CORRECT | <input type="checkbox"/> | <input type="checkbox"/> | |
| WRONG | | | |

M3.5x20mm.

2

HARDWARE

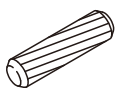
-BODY SET



x 4

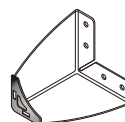


x 4



(8x35)

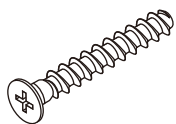
x 8



x 4



x 8

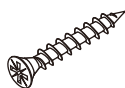


(M5.5x38)

x 4



x 8



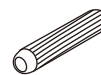
M3.5x20mm.

x 8



(7x5/8")

x 16



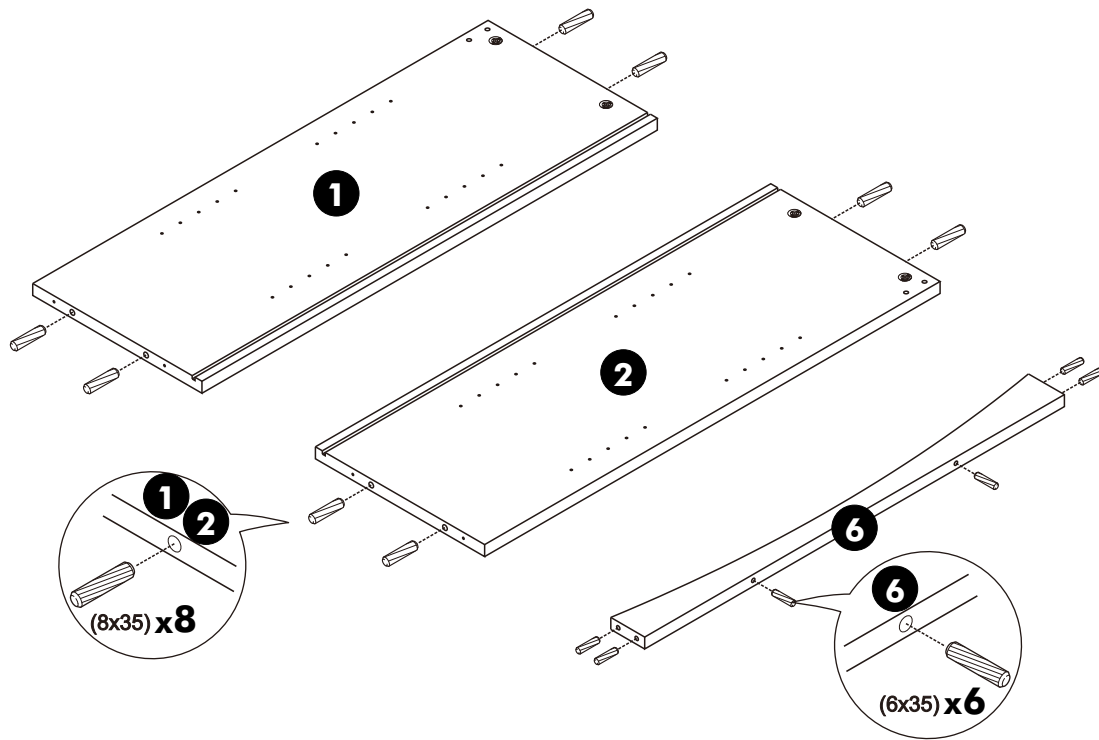
(6x35)

x 6

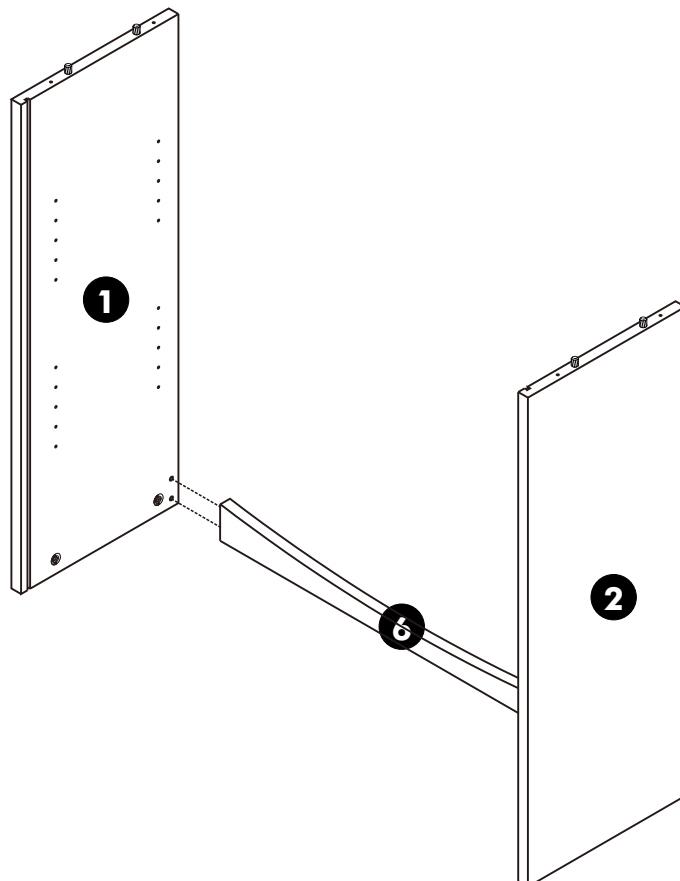
ASSEMBLY

-BODY SET

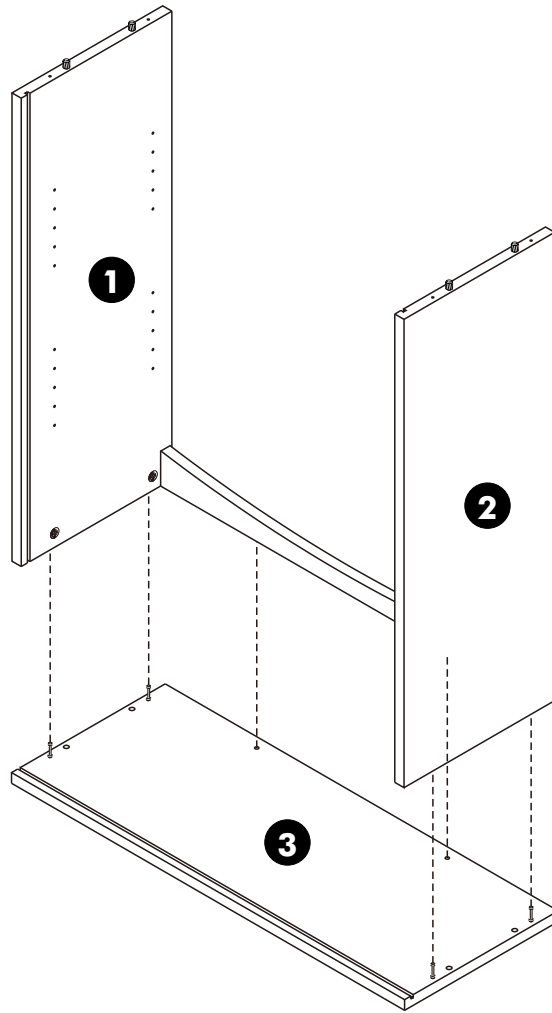
1.



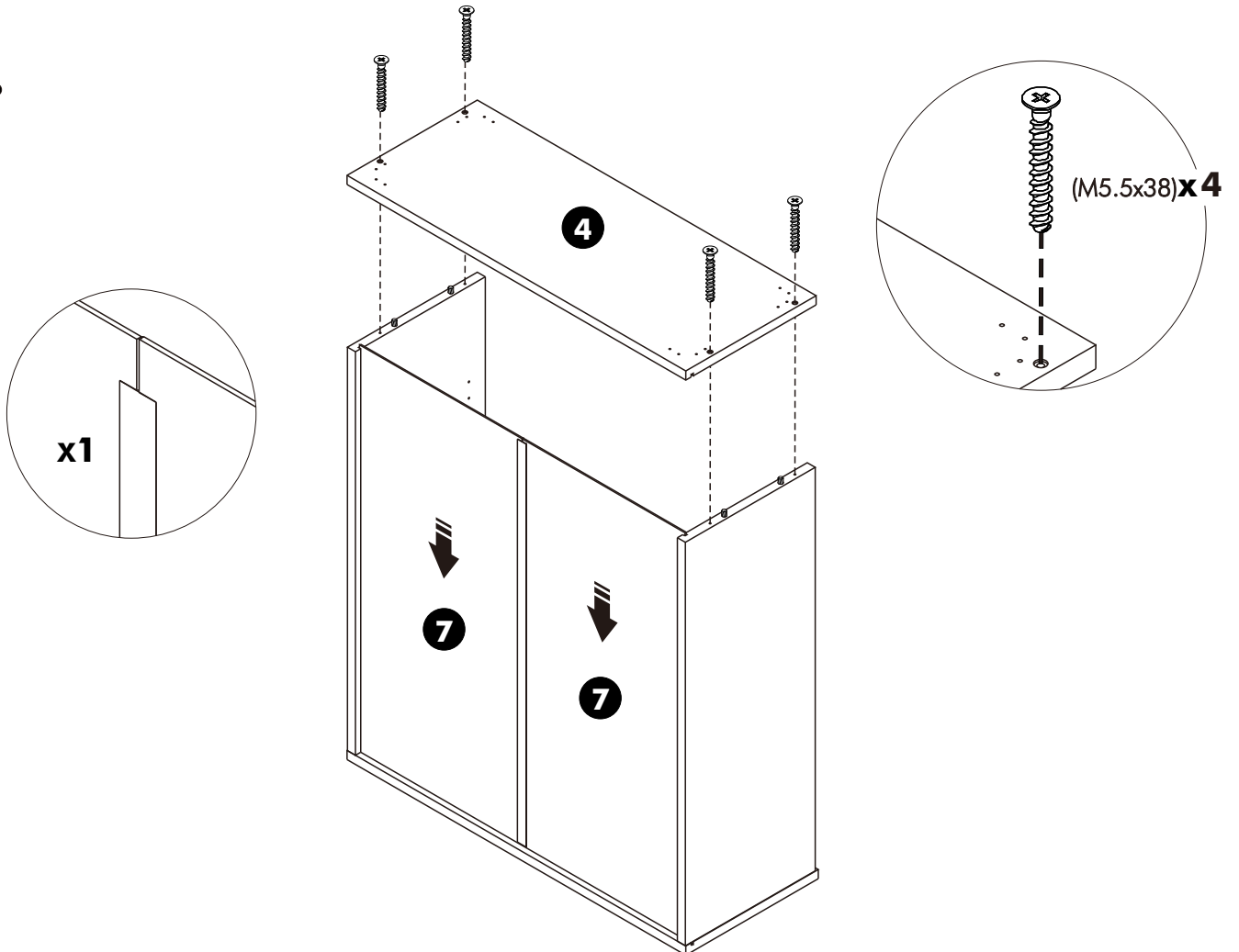
2.



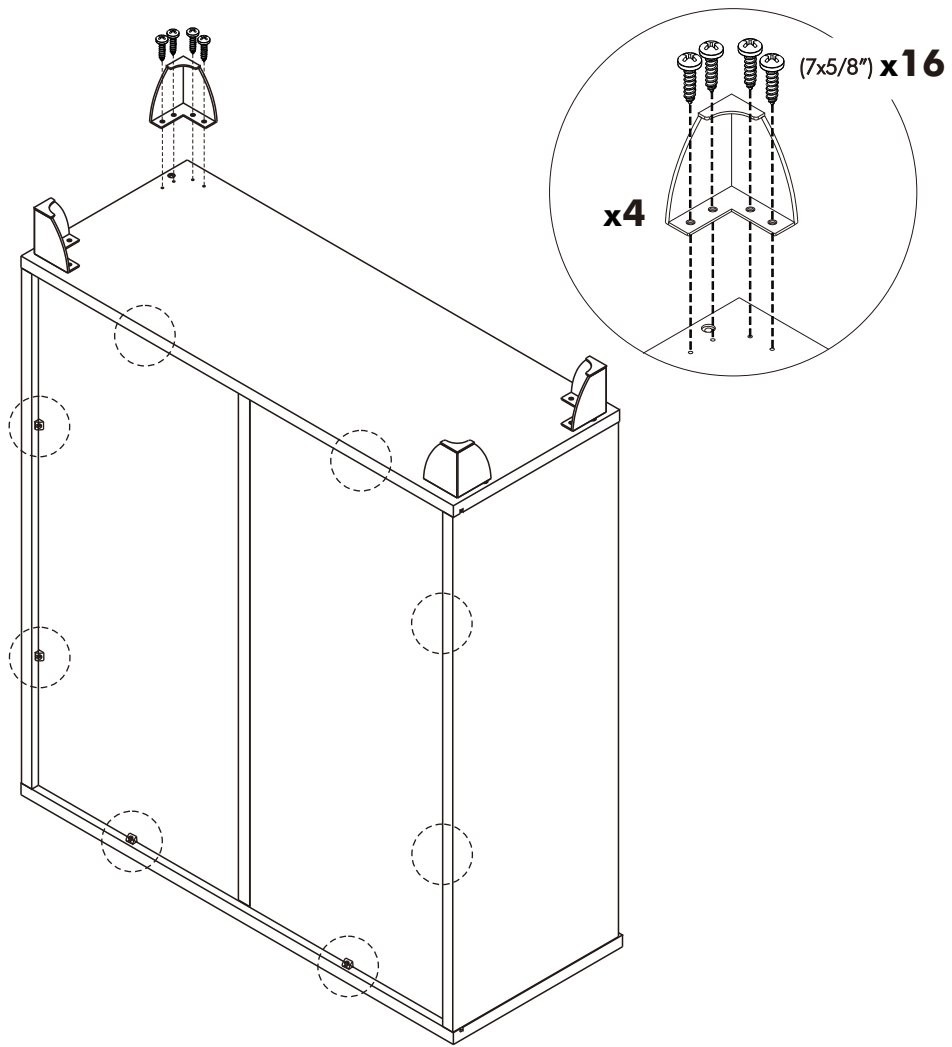
3.



4.



5.



6.

