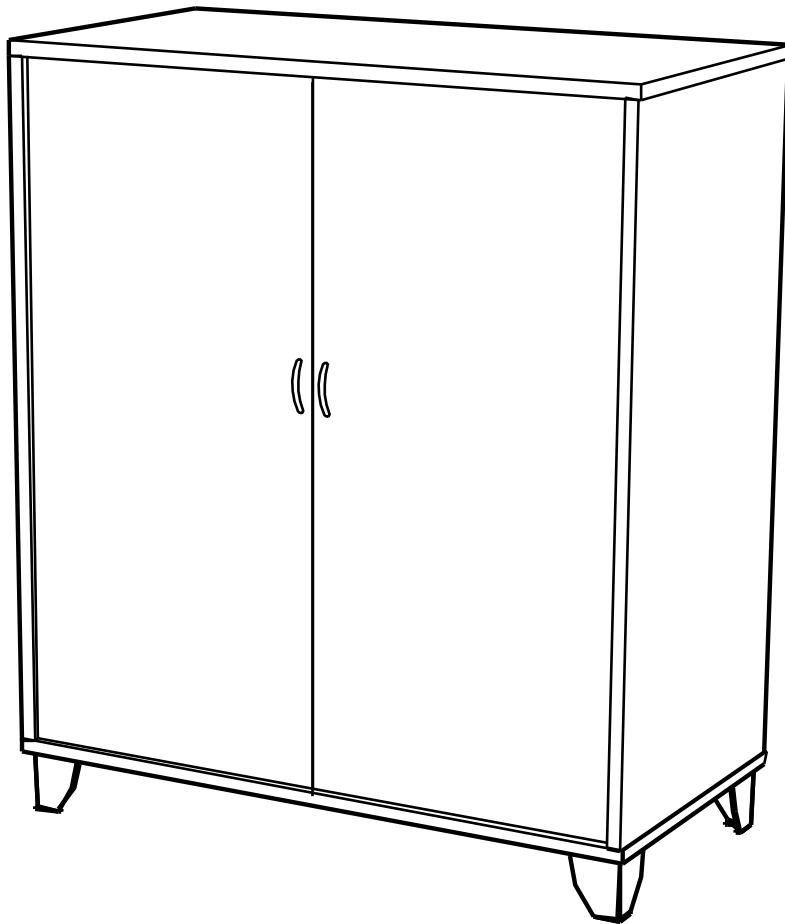


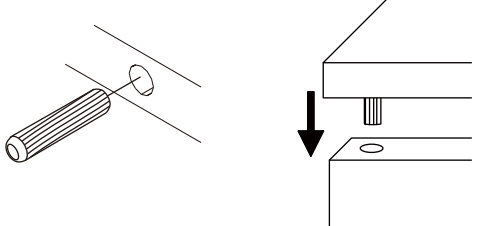
# ONE WAY-B-P

## Cabinet

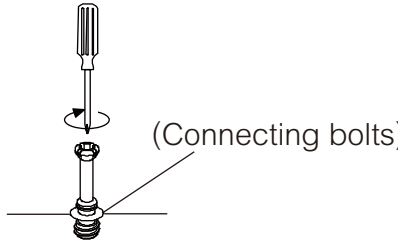


# CONNECT SYSTEM

**1**

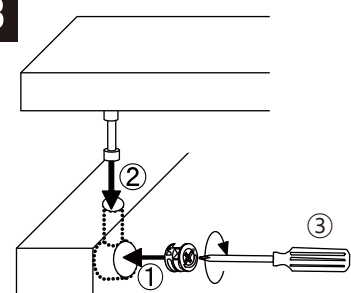


**2**

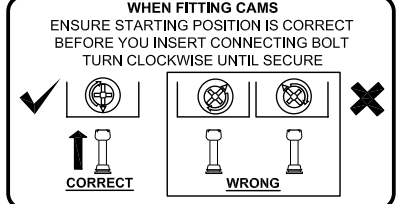



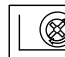

(Connecting bolts)




**3**



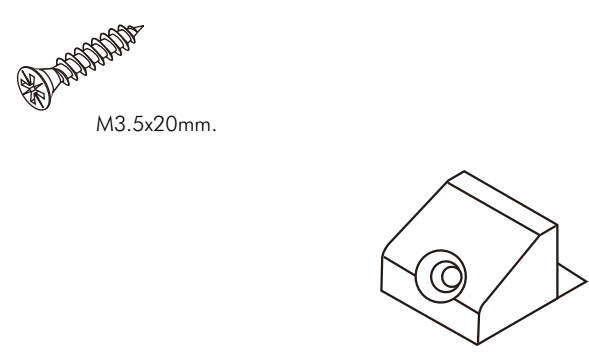
**WHEN FITTING CAMS**  
ENSURE STARTING POSITION IS CORRECT  
BEFORE YOU INSERT CONNECTING BOLT  
TURN CLOCKWISE UNTIL SECURE



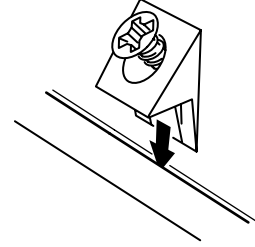
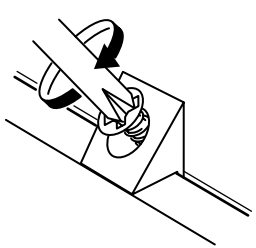
✓    ✗

↑    ↓

CORRECT WRONG

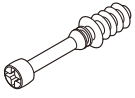


M3.5x20mm.



# HARDWARE

## -BODY SET

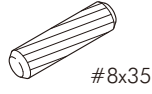


**x 4**



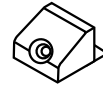
19mm.

**x 4**



#8x35

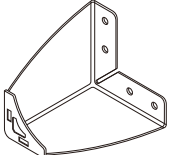
**x 8**



**x 8**



**x 12**

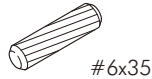


**x 4**



M3.5x20mm.

**x 8**



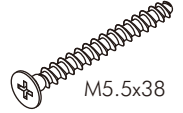
#6x35

**x 6**



#7x5/8"(P)

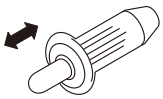
**x 16**



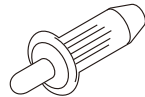
M5.5x38

**x 4**

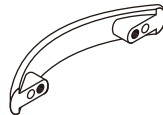
## -DOOR SET



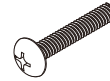
**x 2**



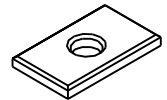
**x 2**



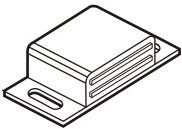
**x 2**



**x 4**



**x 2**



**x 1**



#6x1/2"(P)

**x 2**



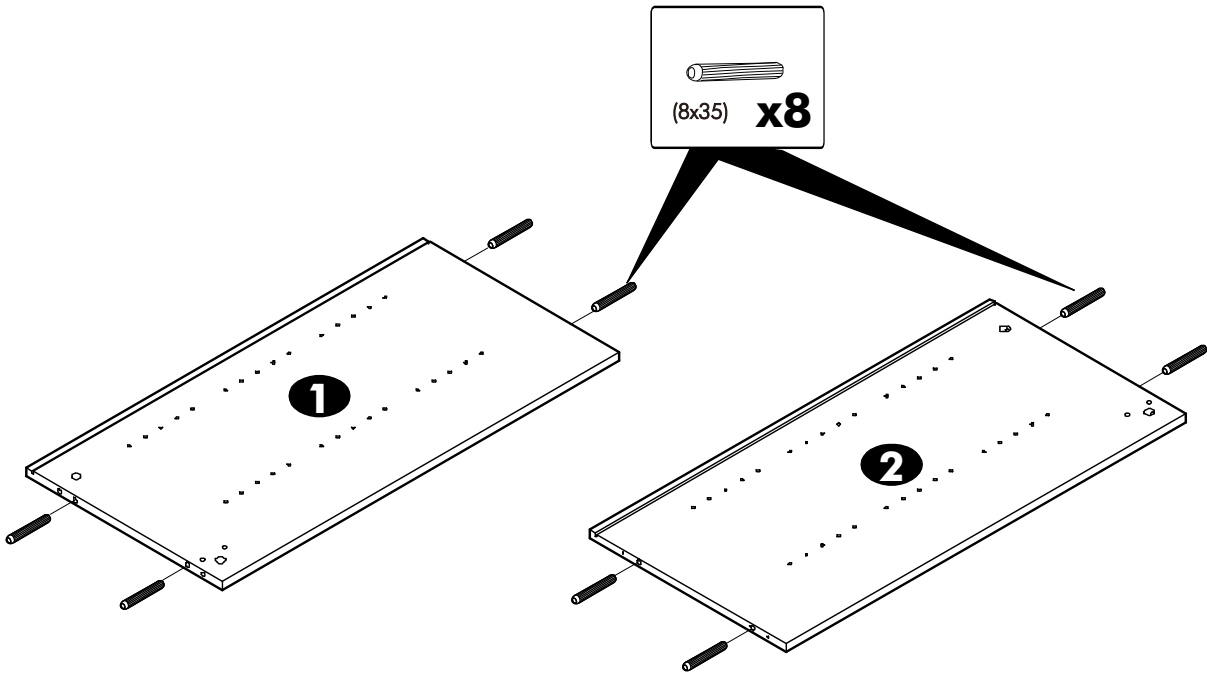
#4x3/8"(F)

**x 2**

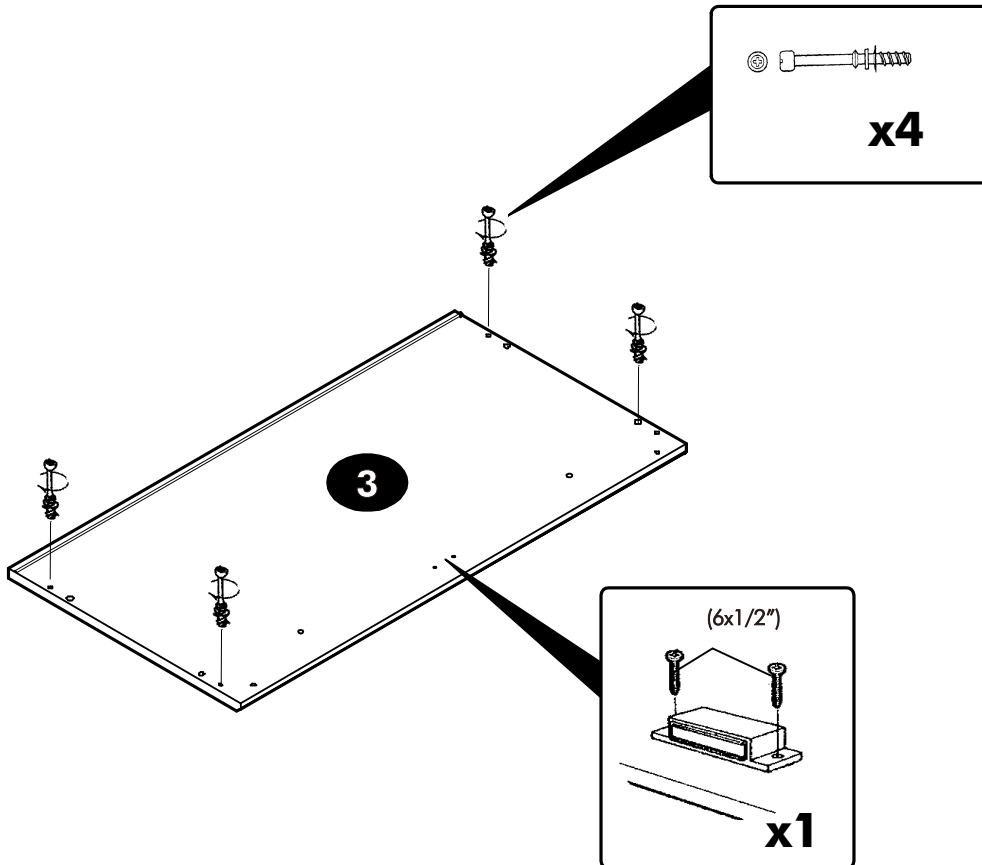
# ASSEMBLY

-BODY SET

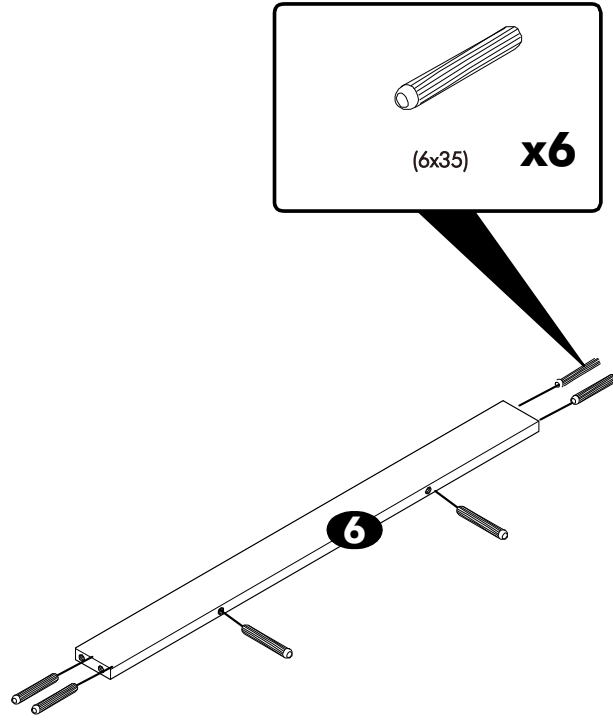
## 1.



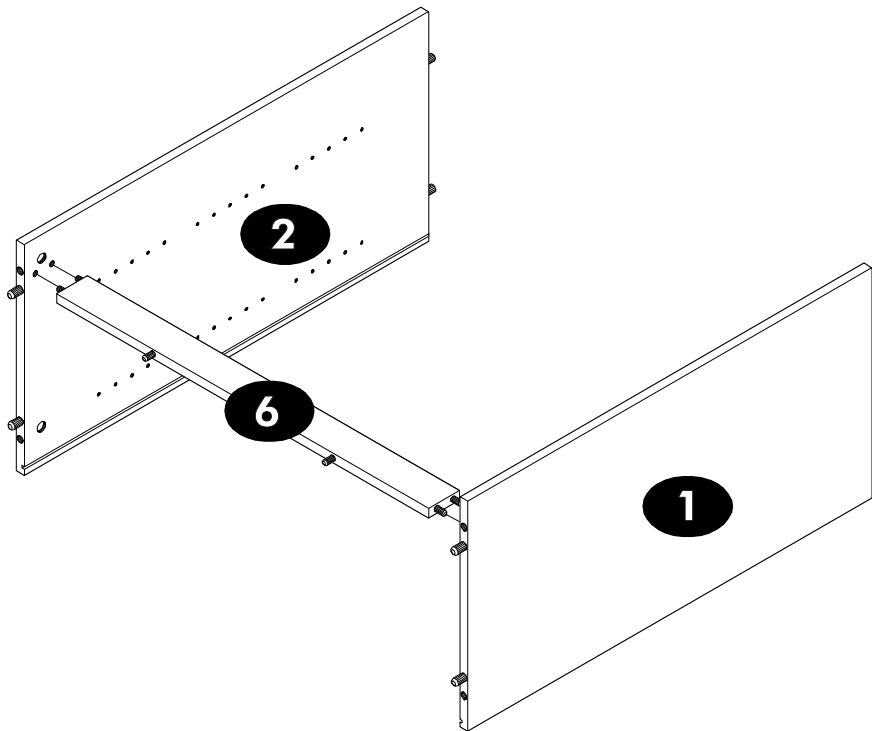
## 2.



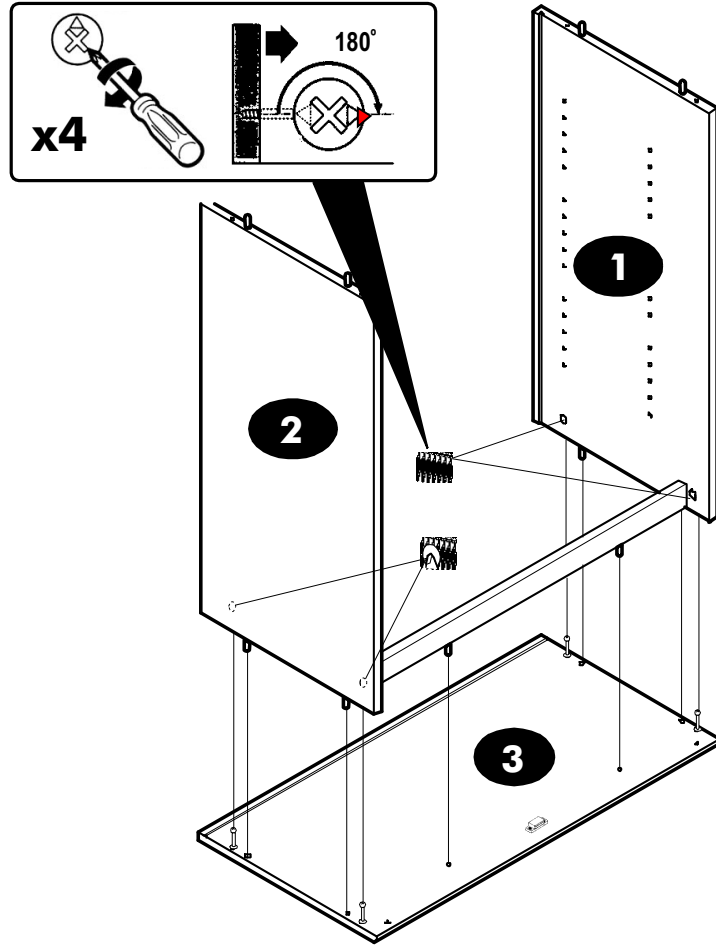
**3.**



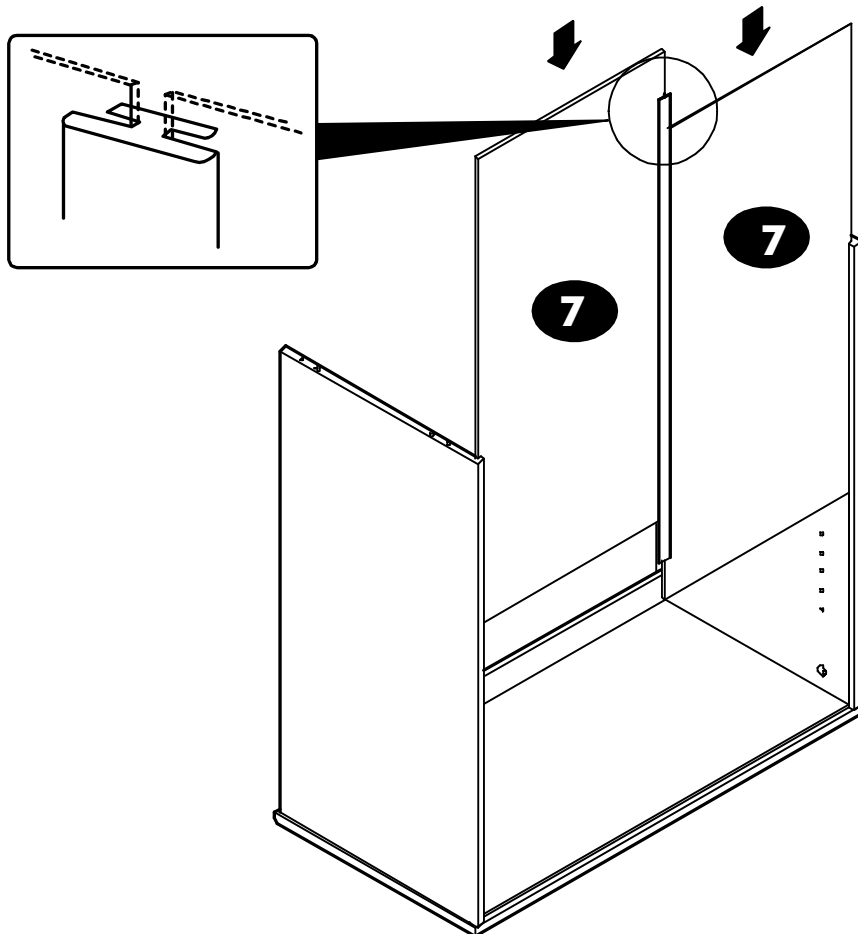
**4.**



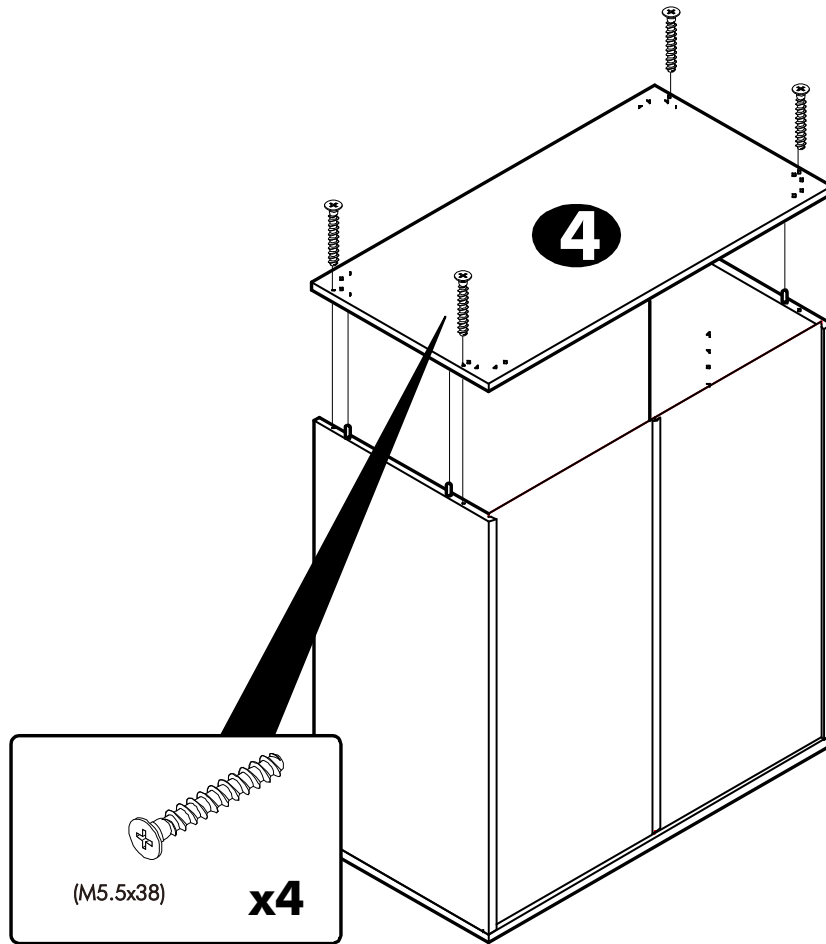
**5.**



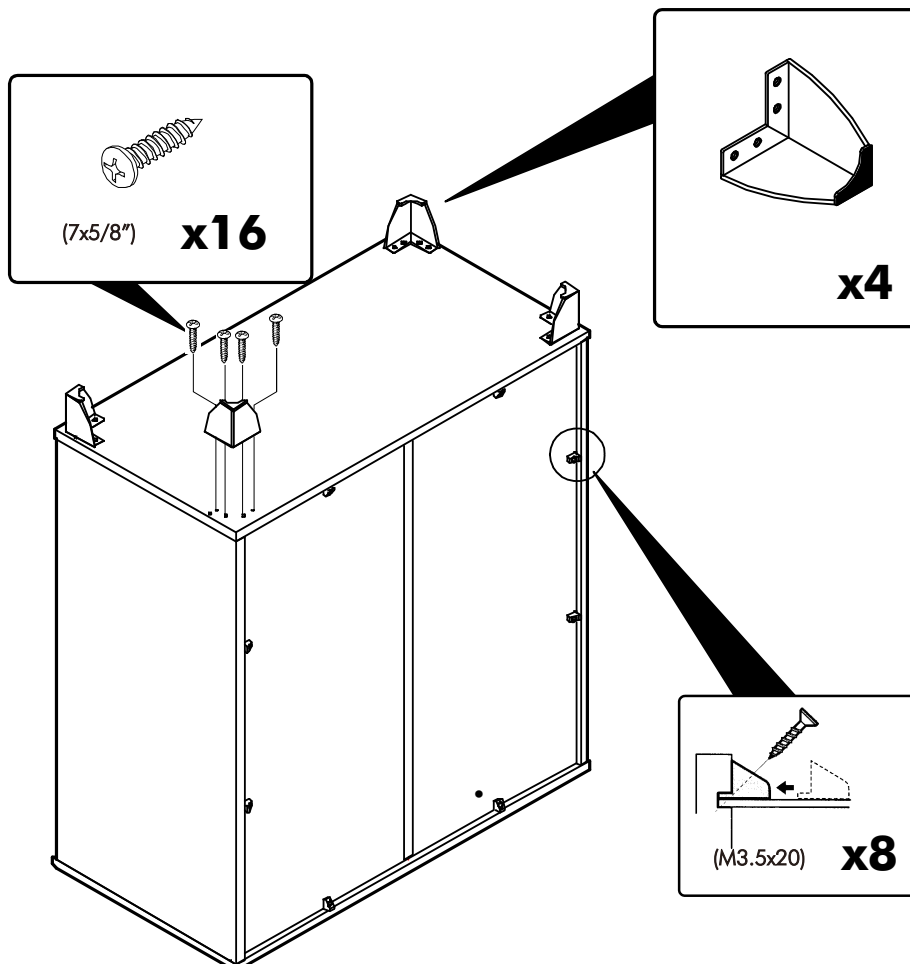
**6.**



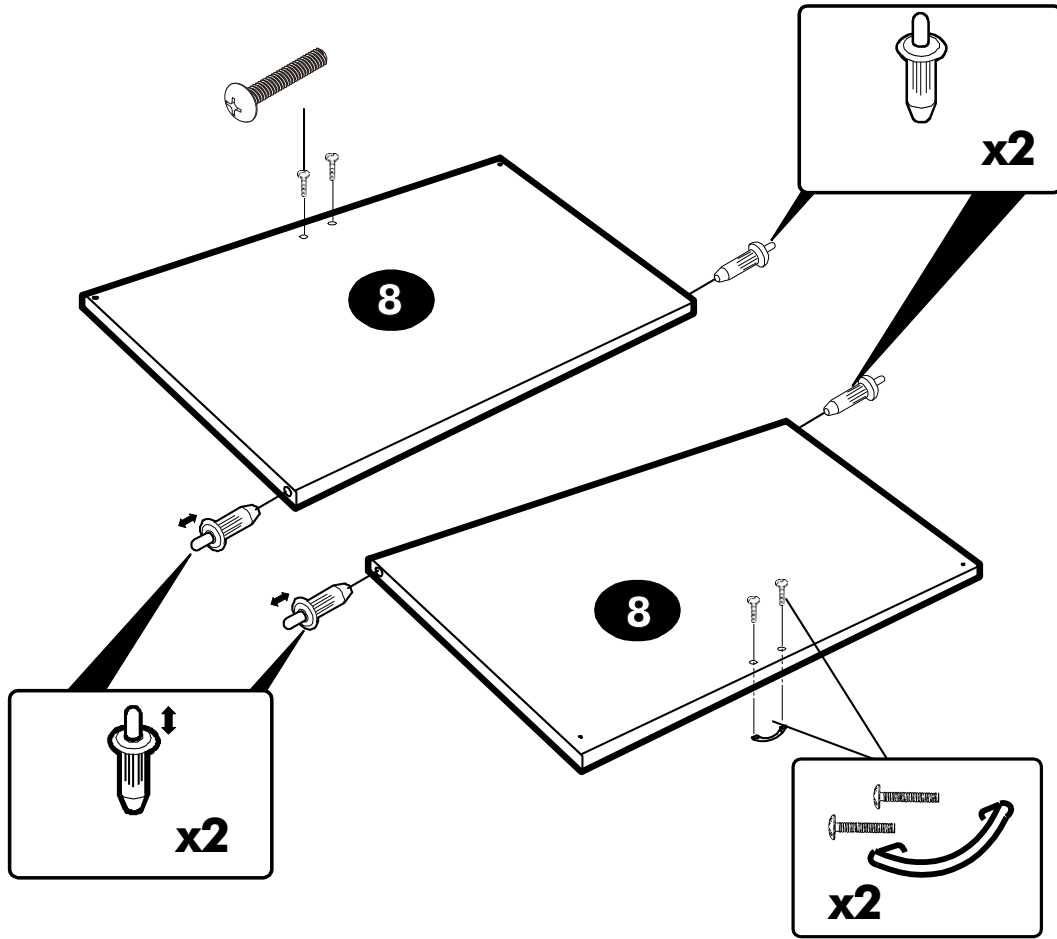
**7.**



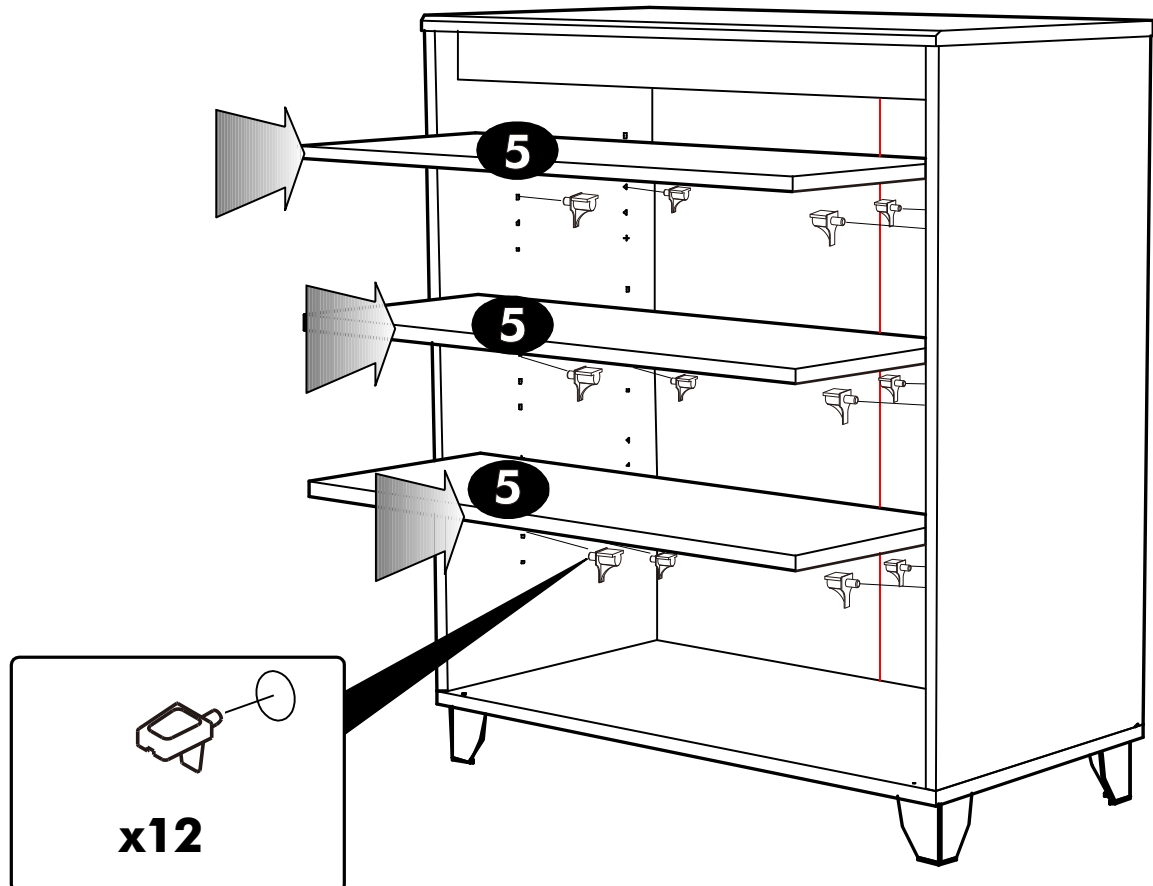
**8.**



9.



10.



11.

