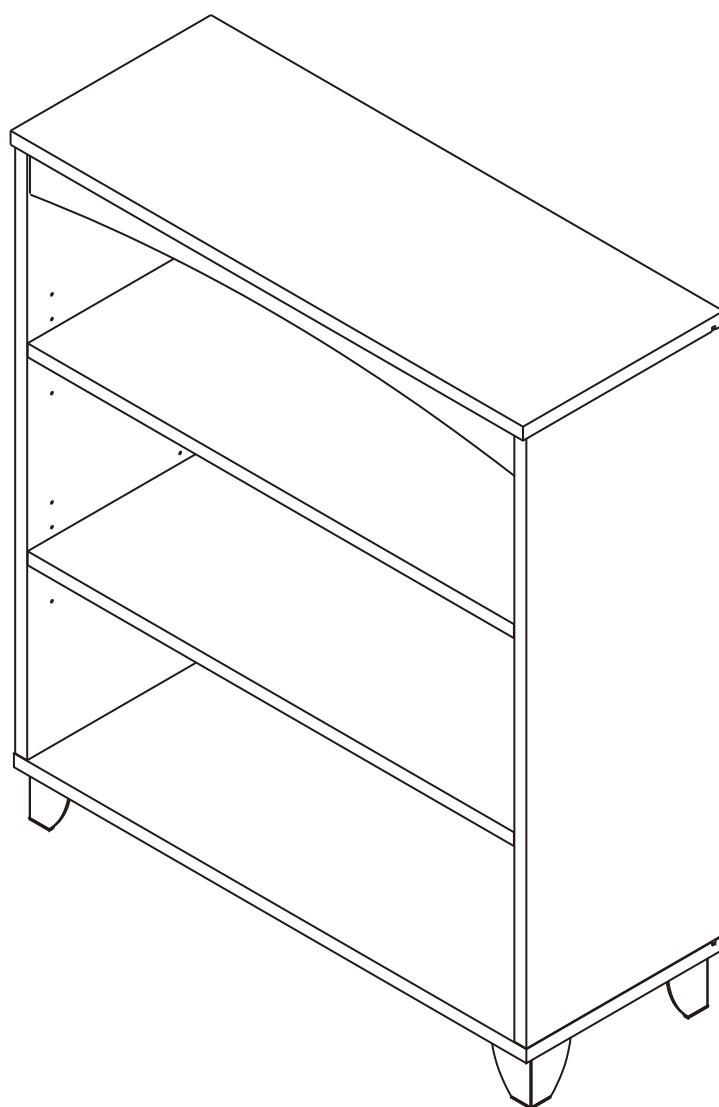


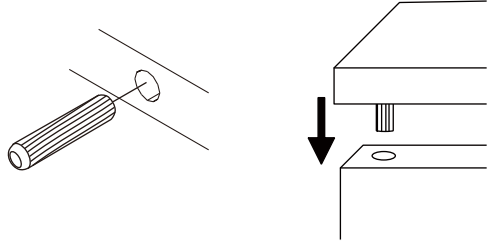
ONE WAY-C-P

Low cabinet

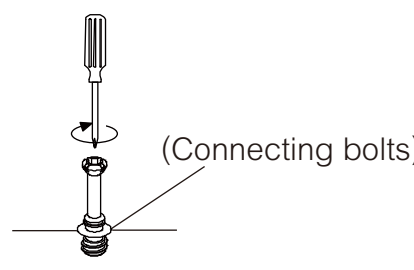


CONNECT SYSTEM

1

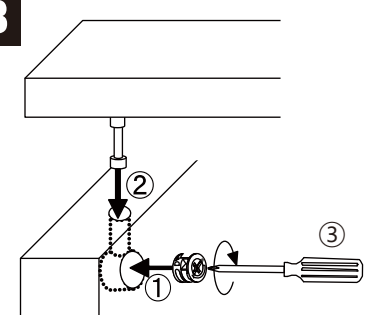


2









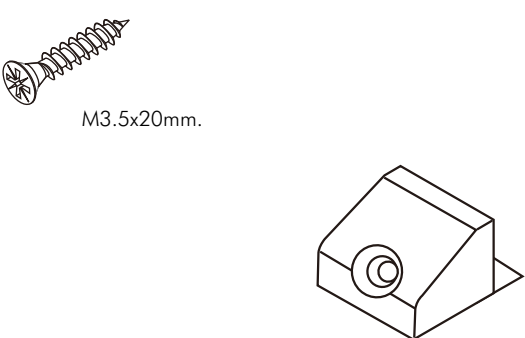
(Connecting bolts)

3

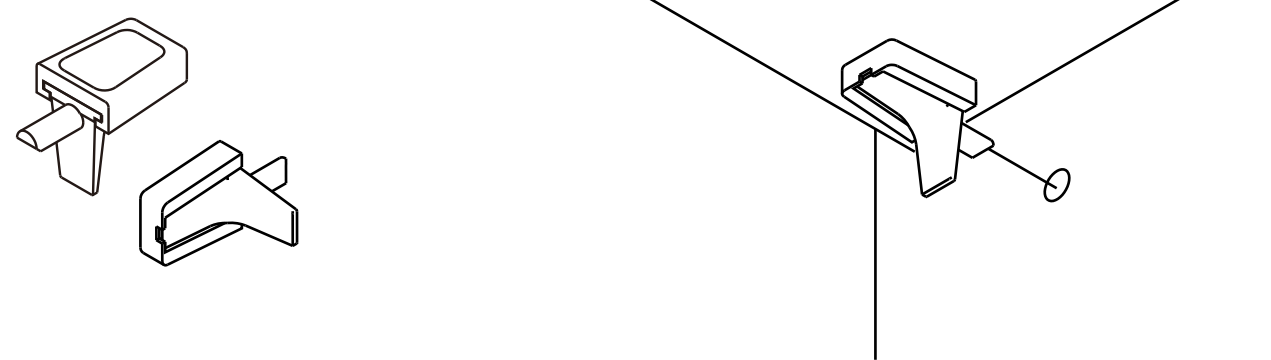
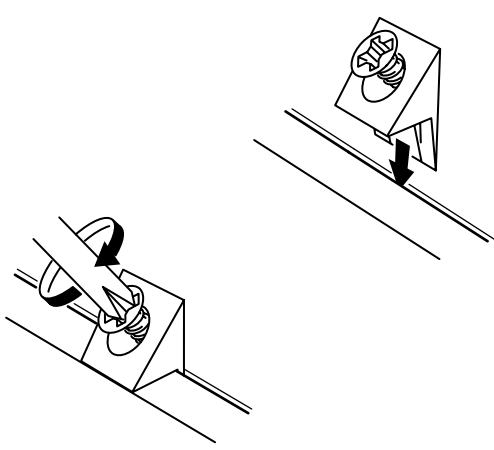


WHEN FITTING CAMS
ENSURE STARTING POSITION IS CORRECT
BEFORE YOU INSERT CONNECTING BOLT
TURN CLOCKWISE UNTIL SECURE

✓				✗
↑				
	CORRECT		WRONG	

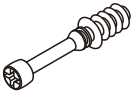


M3.5x20mm.



HARDWARE

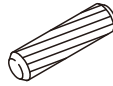
-BODY SET



x 4

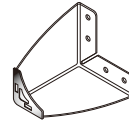


x 4



(8x35)

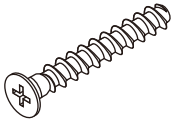
x 8



x 4



x 8

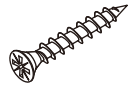


(M5.5x38)

x 4



x 8



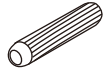
M3.5x20mm.

x 8



(7x5/8")

x 16



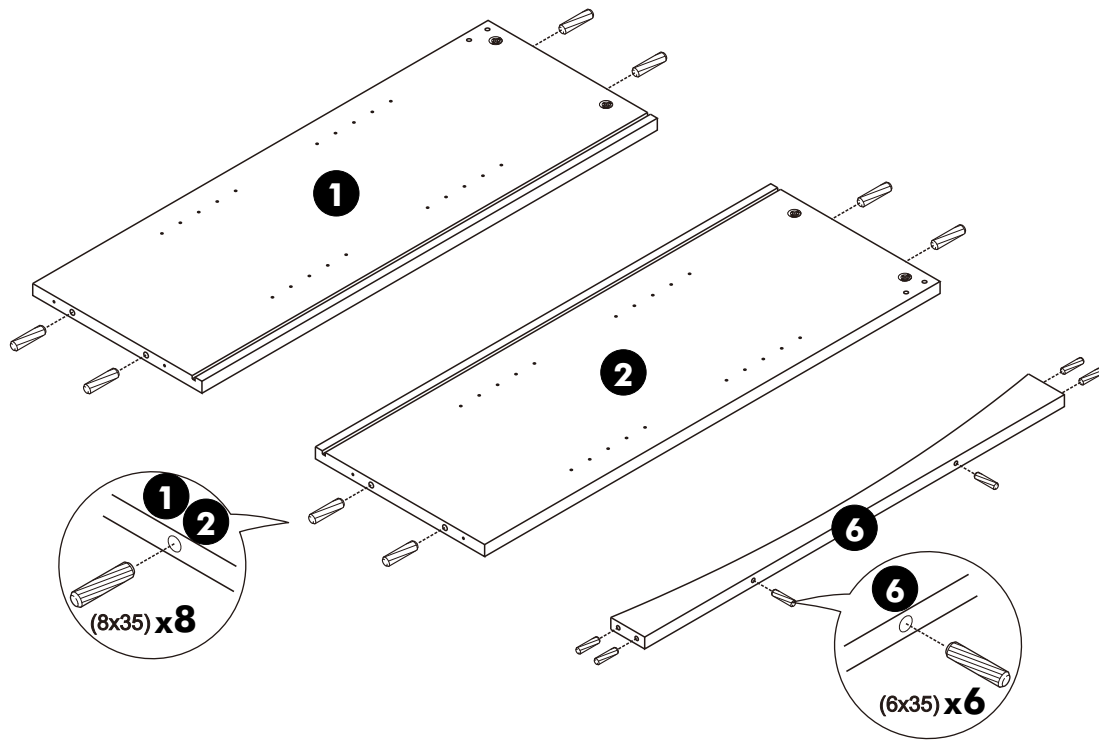
(6x35)

x 6

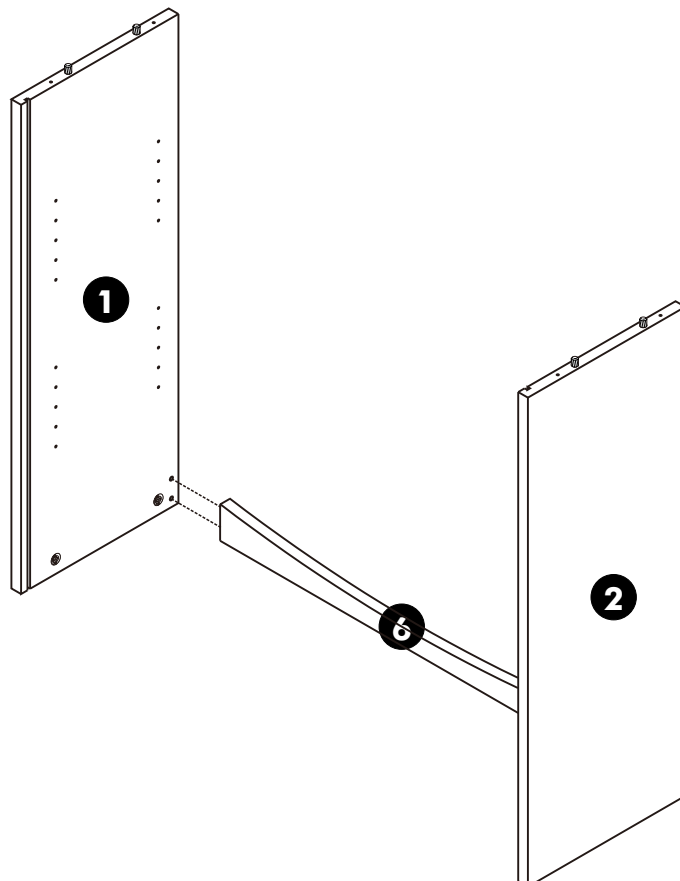
ASSEMBLY

-BODY SET

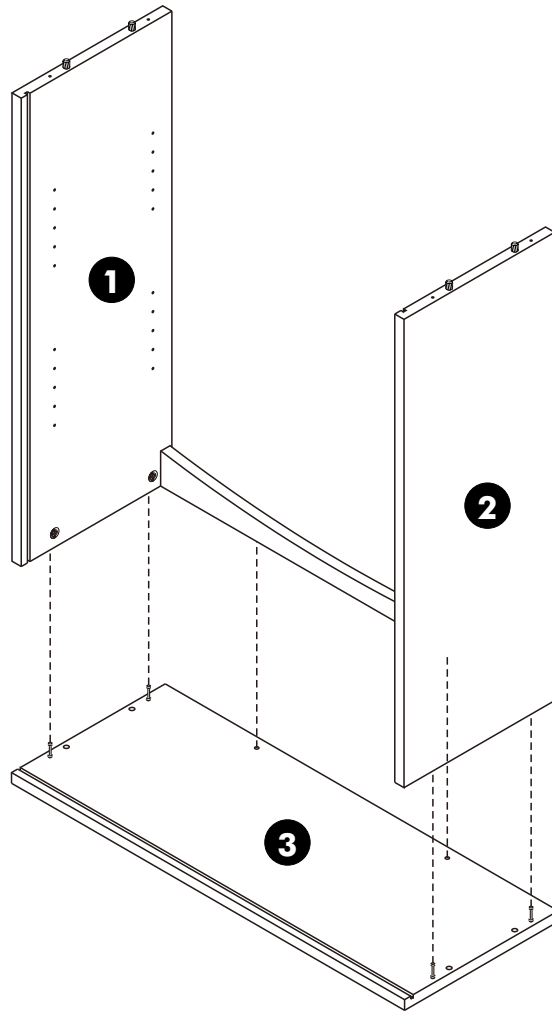
1.



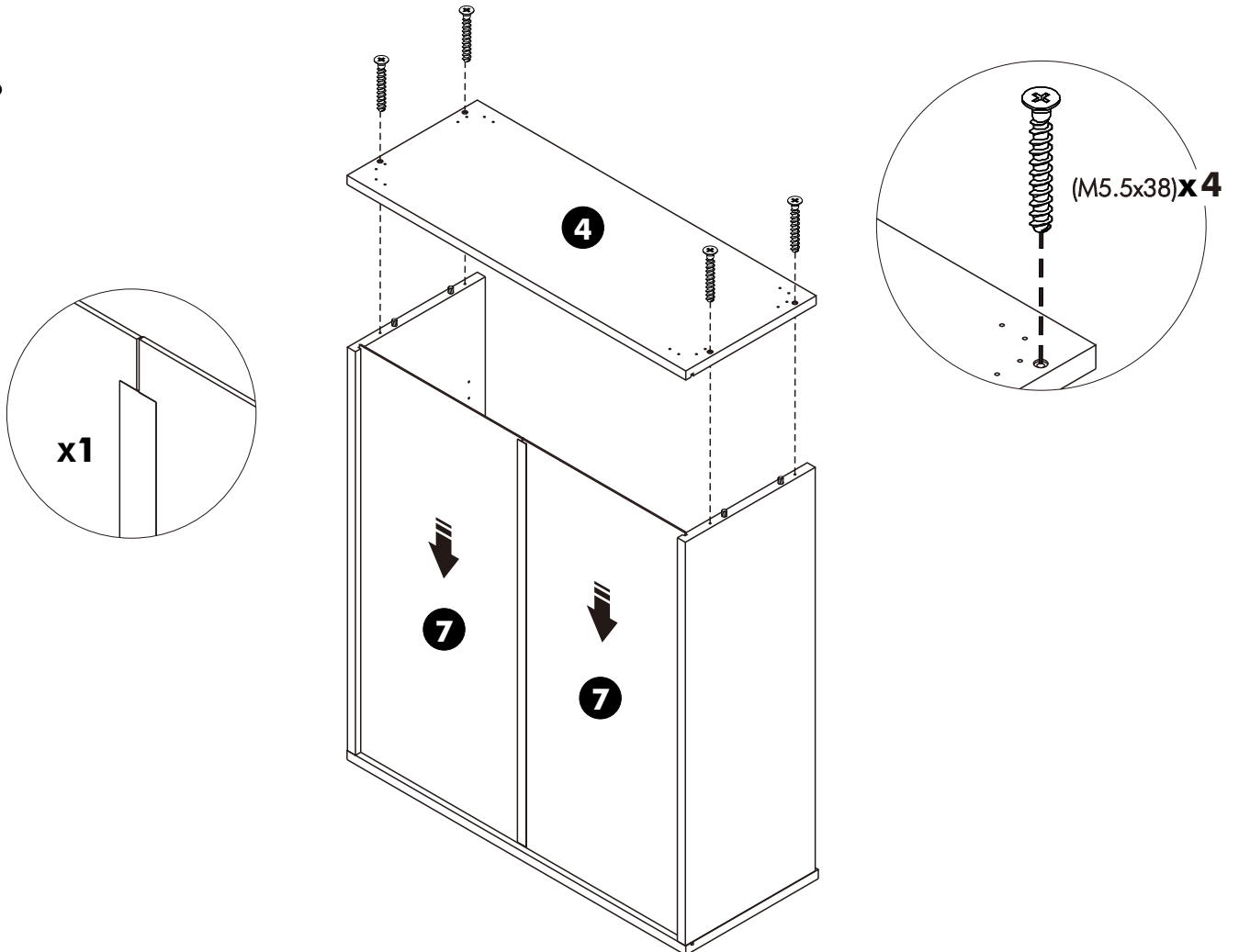
2.



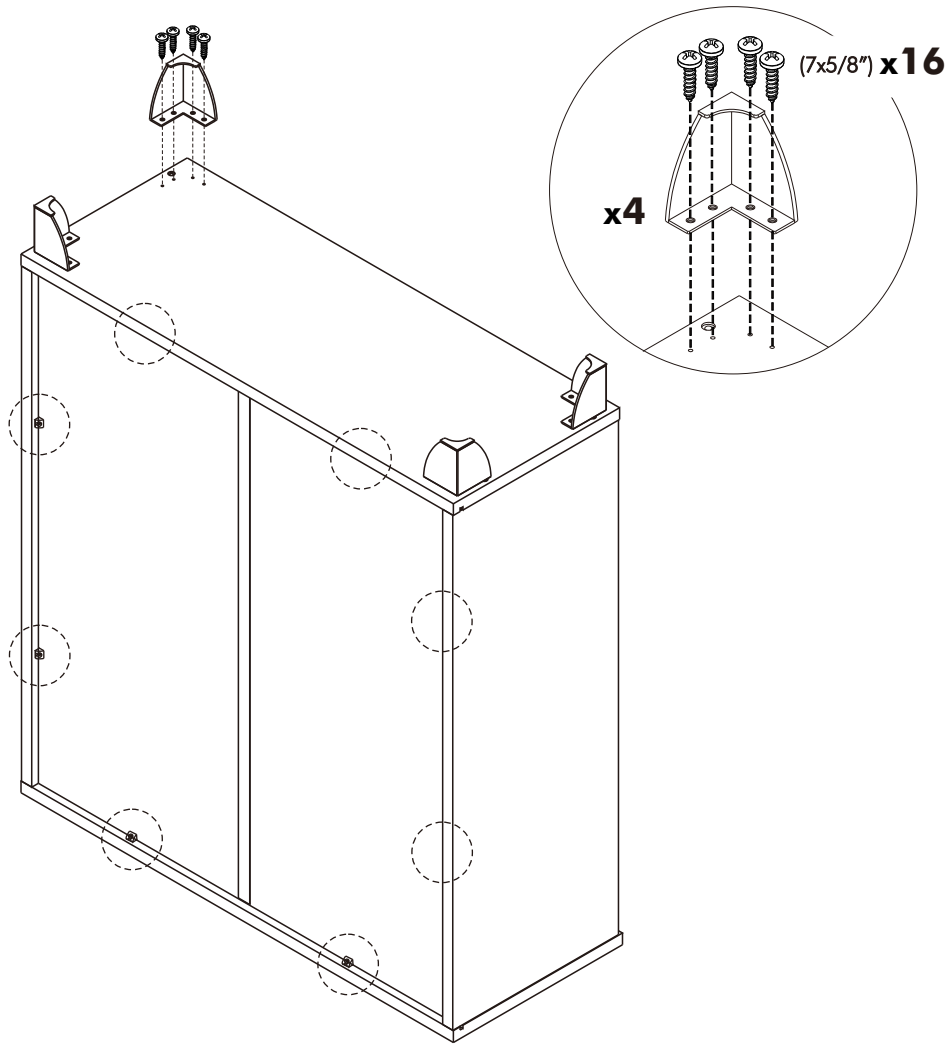
3.



4.



5.



6.

