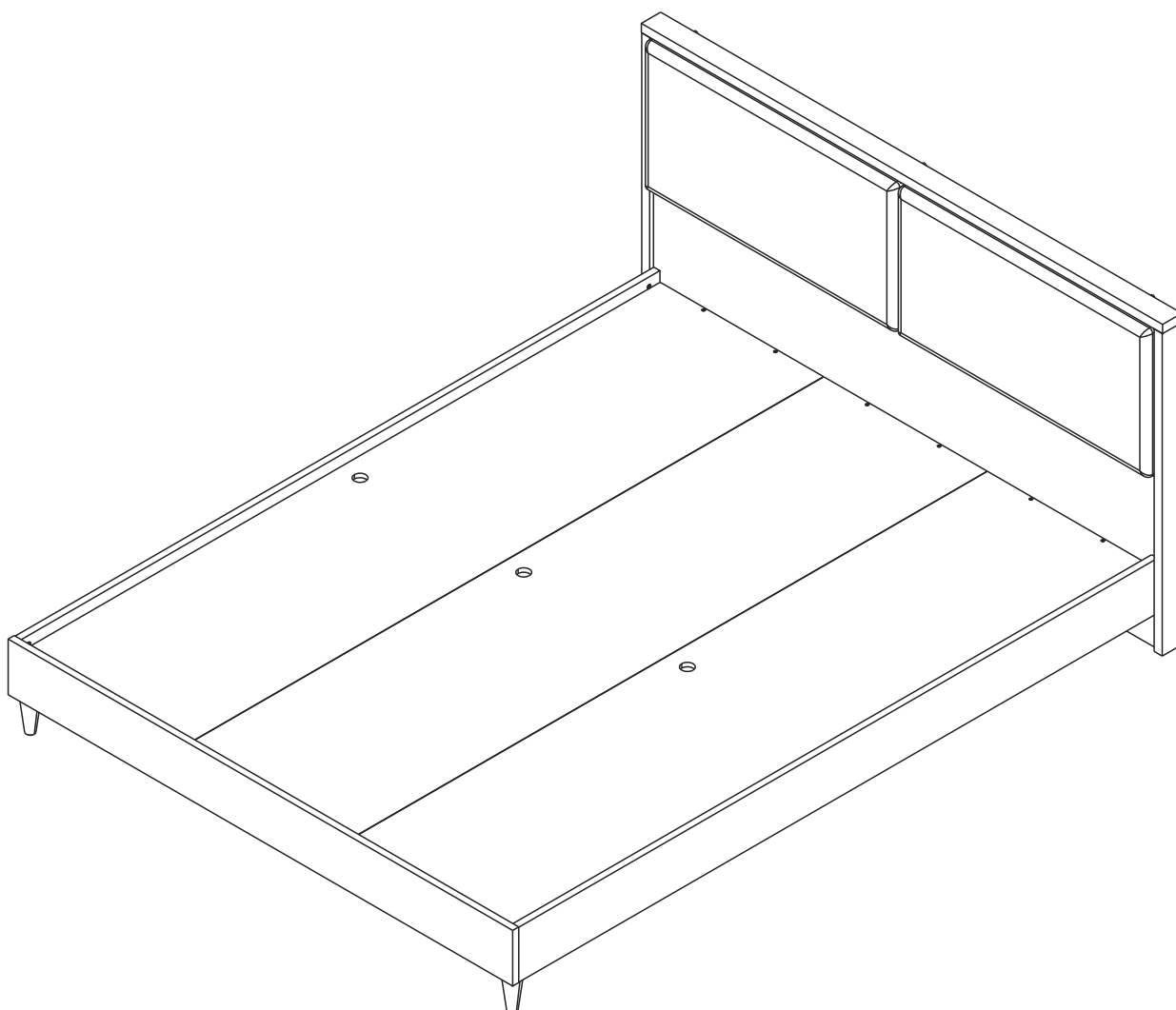
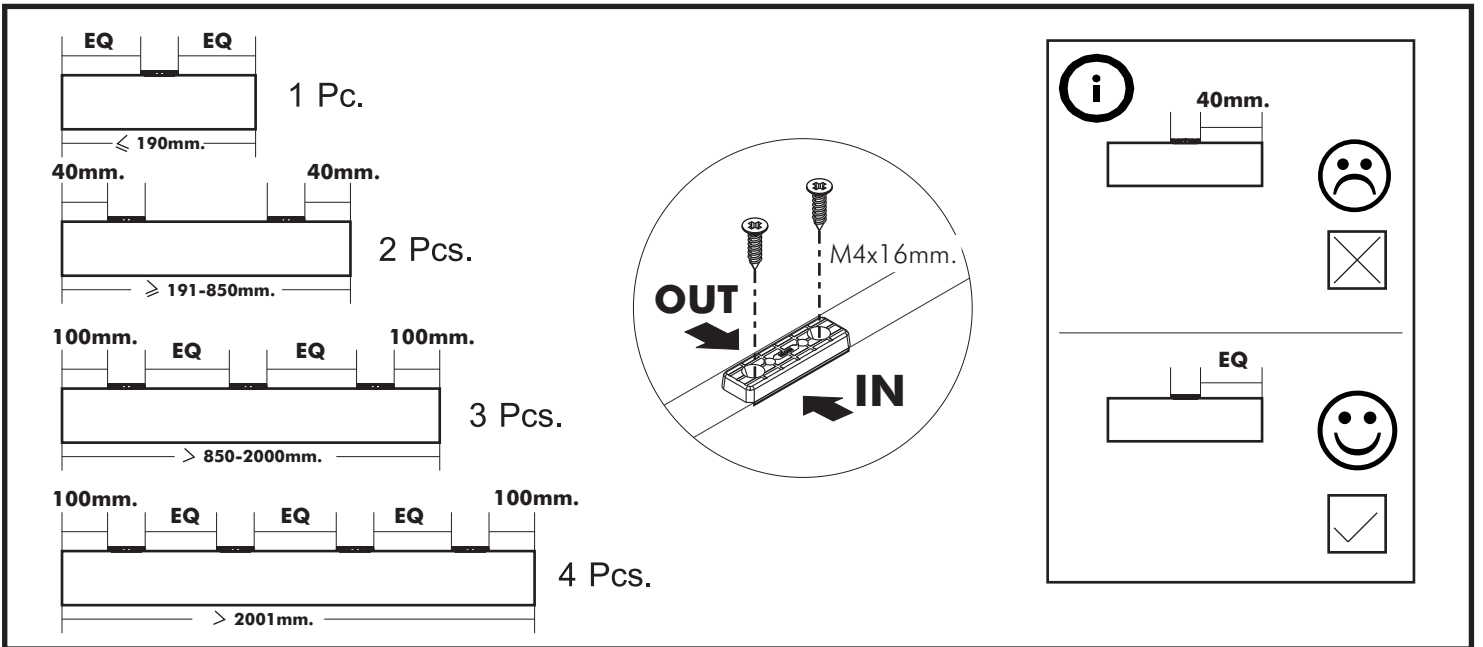
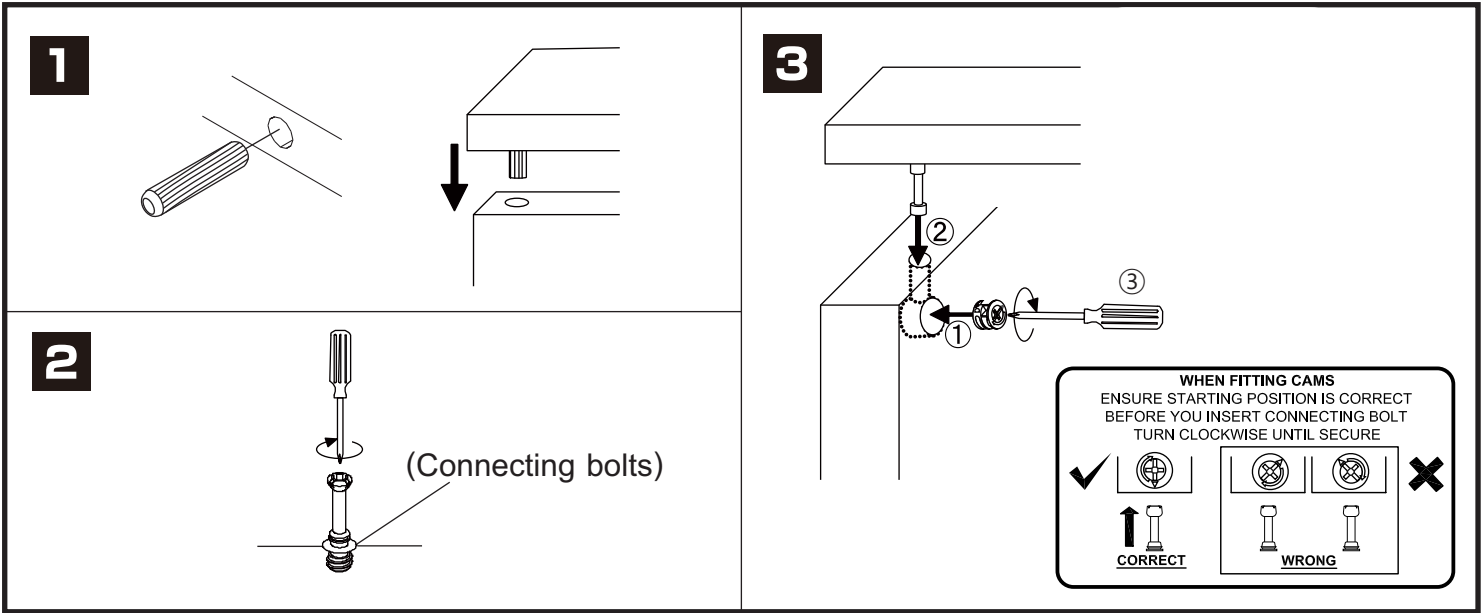


SKALAR-P

Bed 6ft.



CONNECT SYSTEM



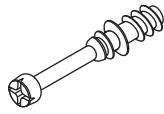
HARDWARE

- BODY SET

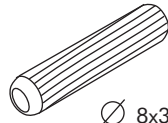


19 mm.

x 4

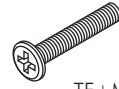


x 4



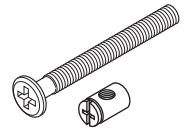
∅ 8x35mm.

x 8



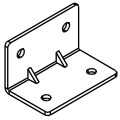
TF+M6x45

x 4



JBC+M6x60

x 4



x 2



#M6

x 4



#M6

x 4



M4x30mm.

x 48



M4x25mm.

x 10



M4x16mm.

x 19



M4x45mm.

x 6

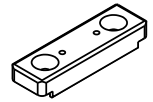


No.1

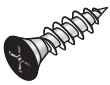
x 3



x 2

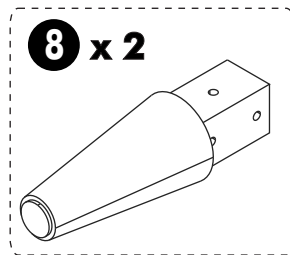


x 7



M4x16mm.

x 14

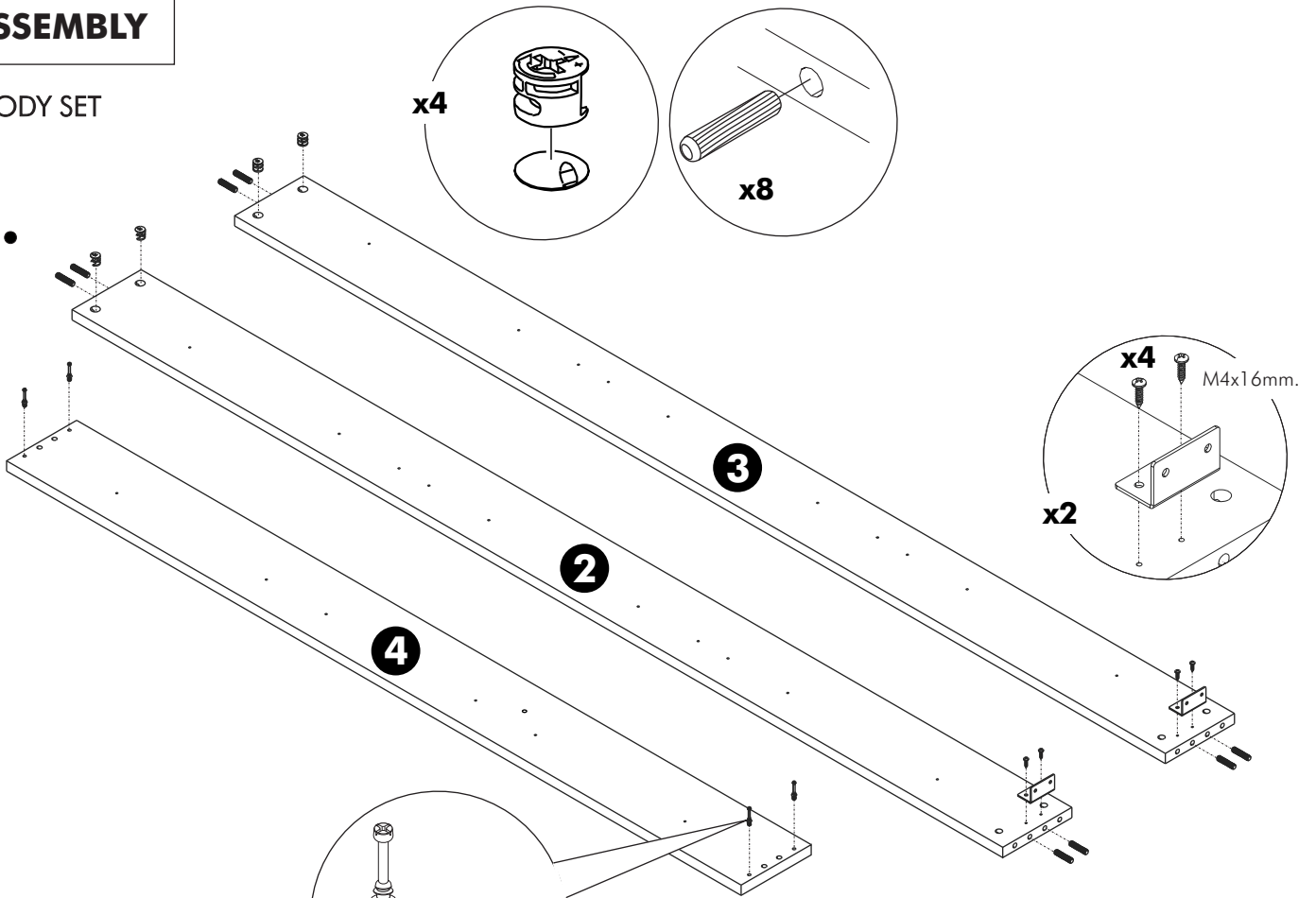


8 x 2

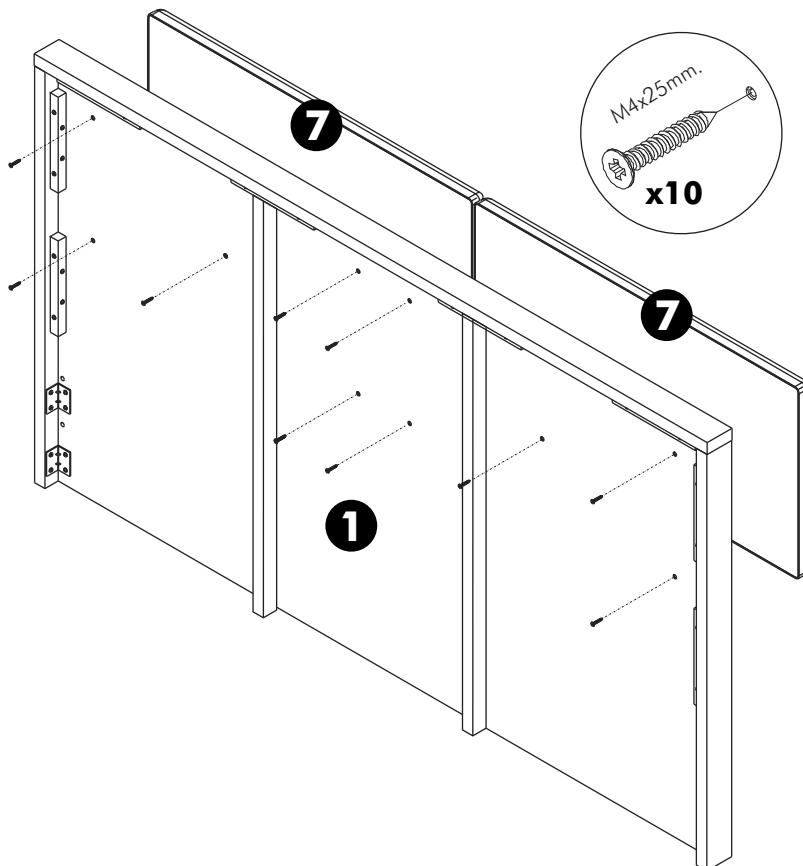
ASSEMBLY

-BODY SET

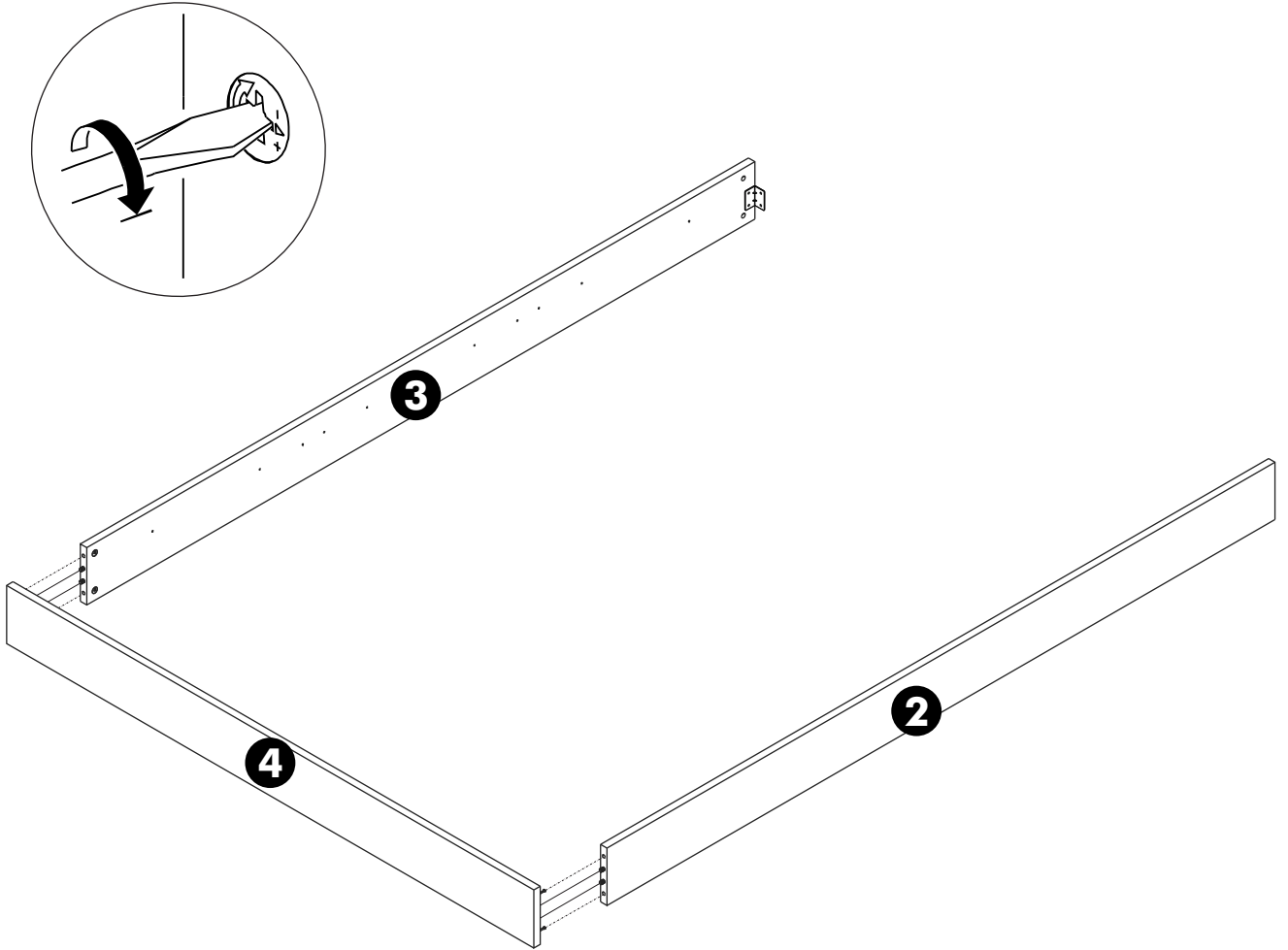
1.



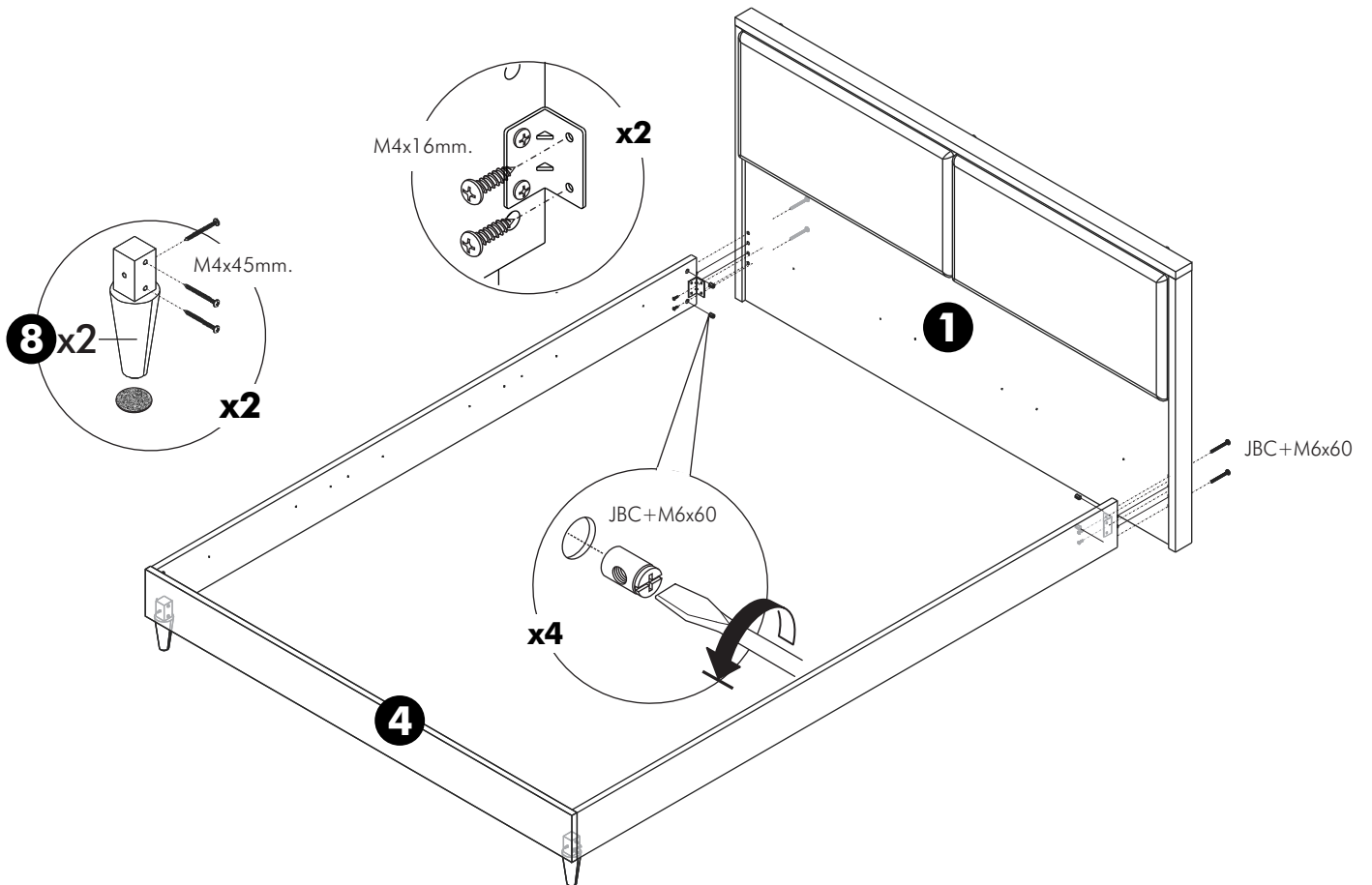
2.



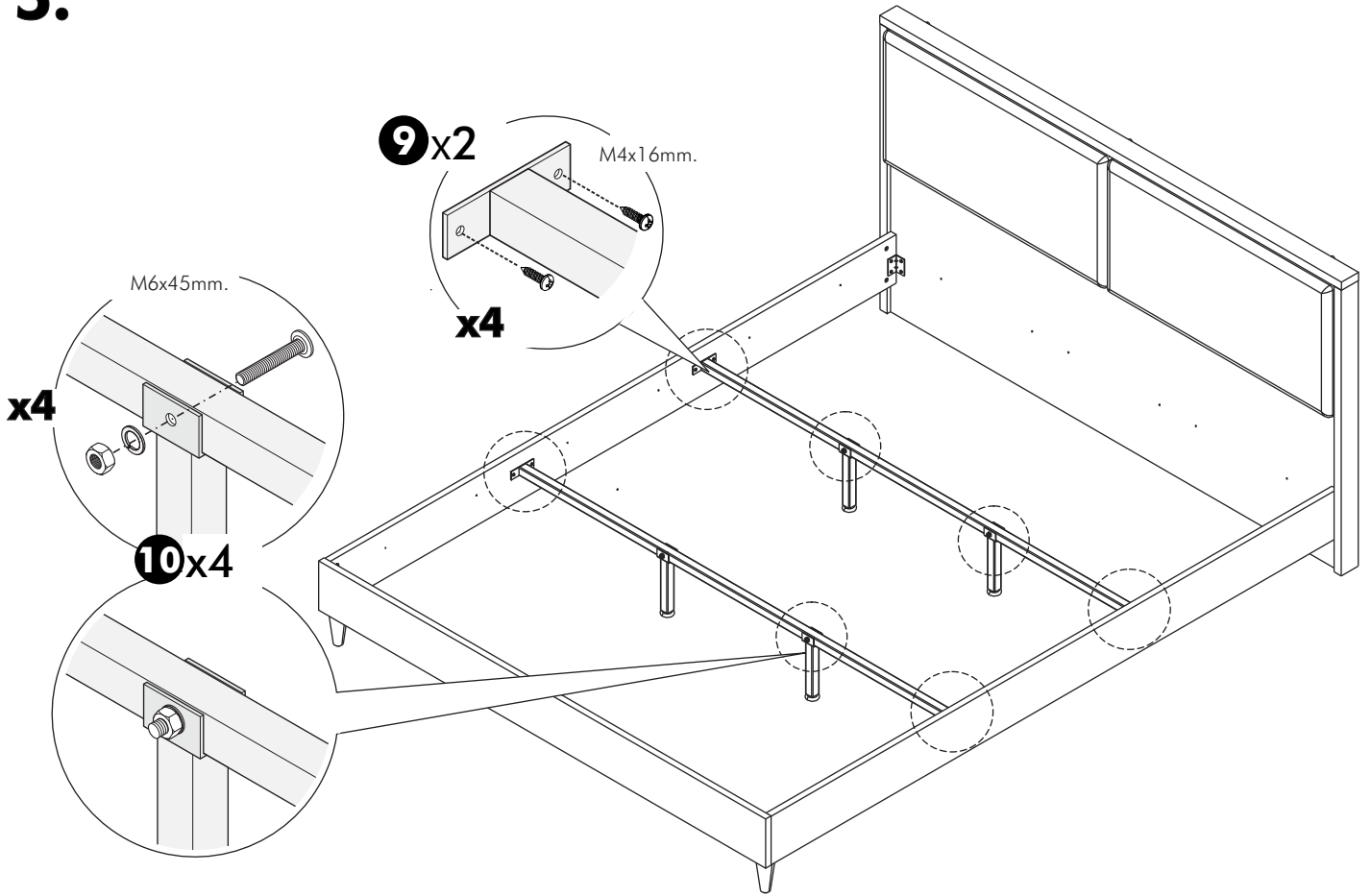
3.



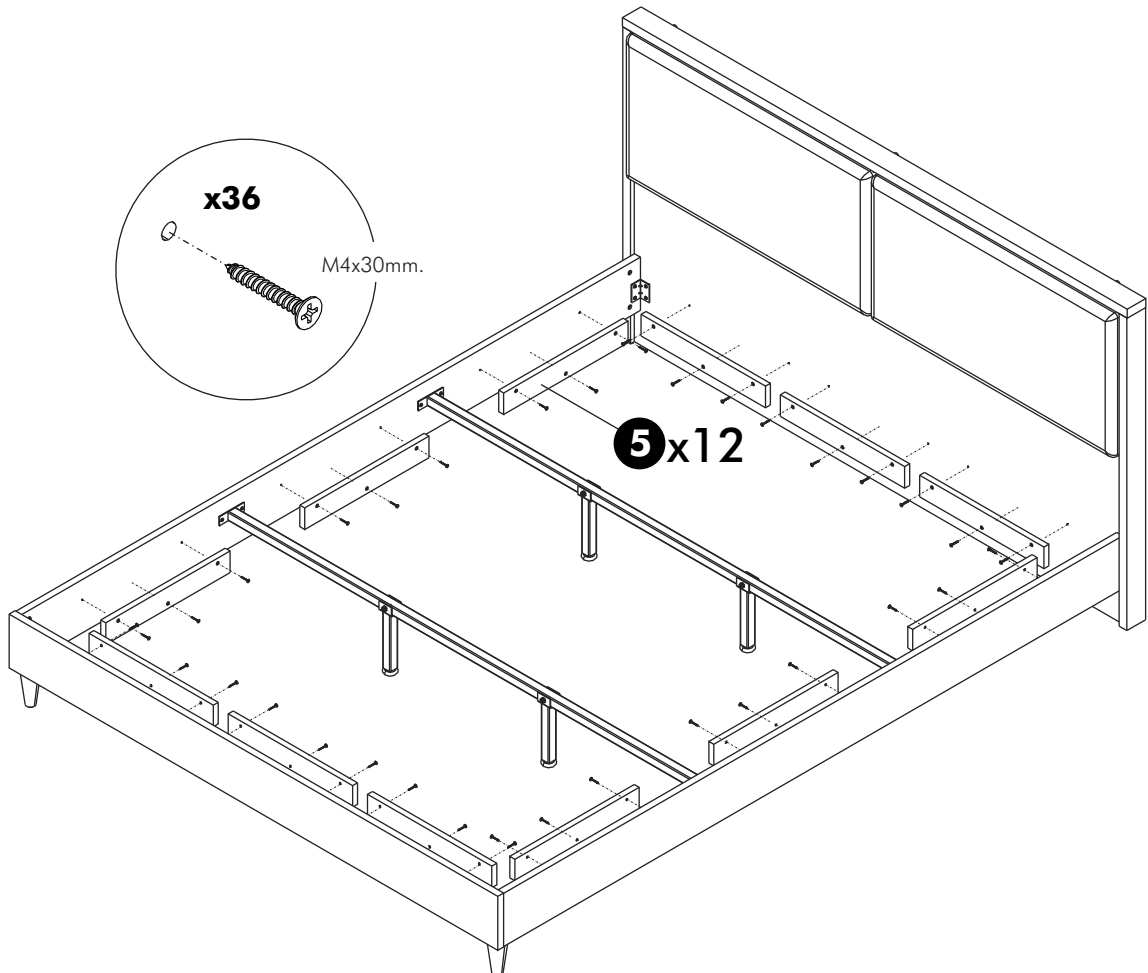
4.



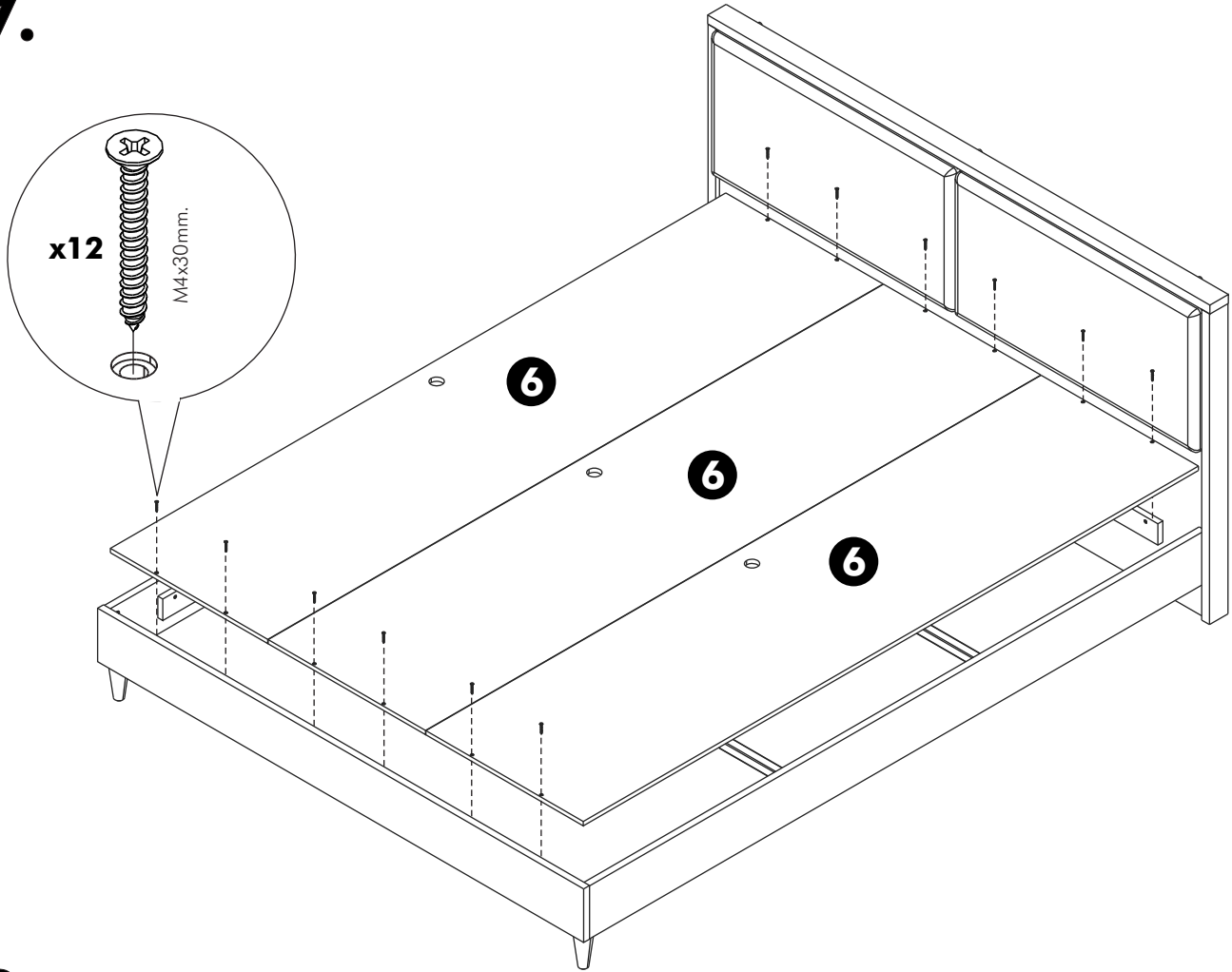
5.



6.



7.



8.

