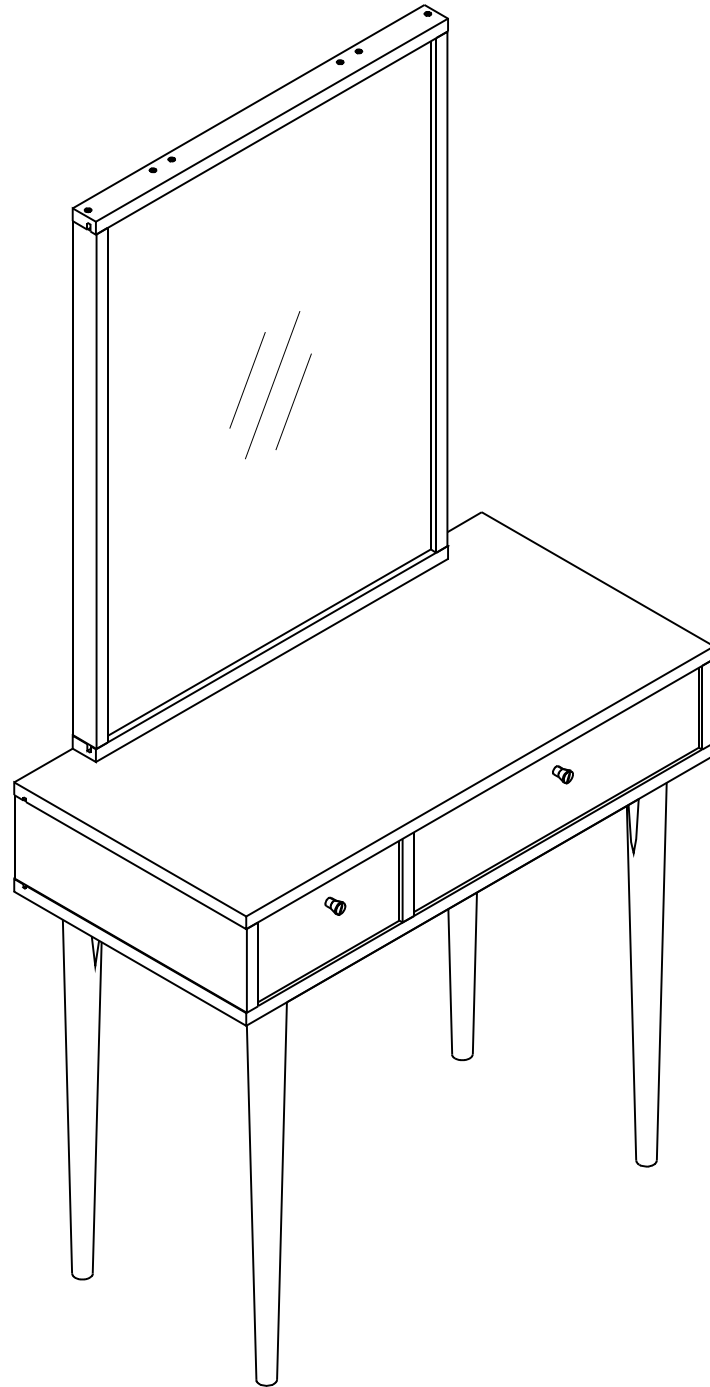
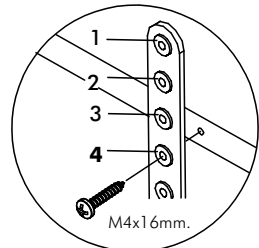
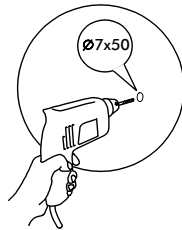
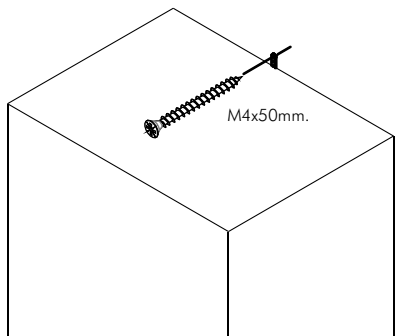
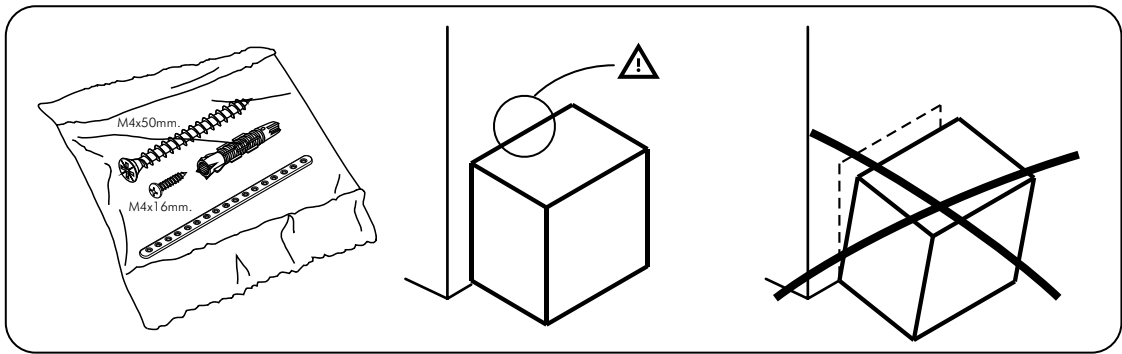
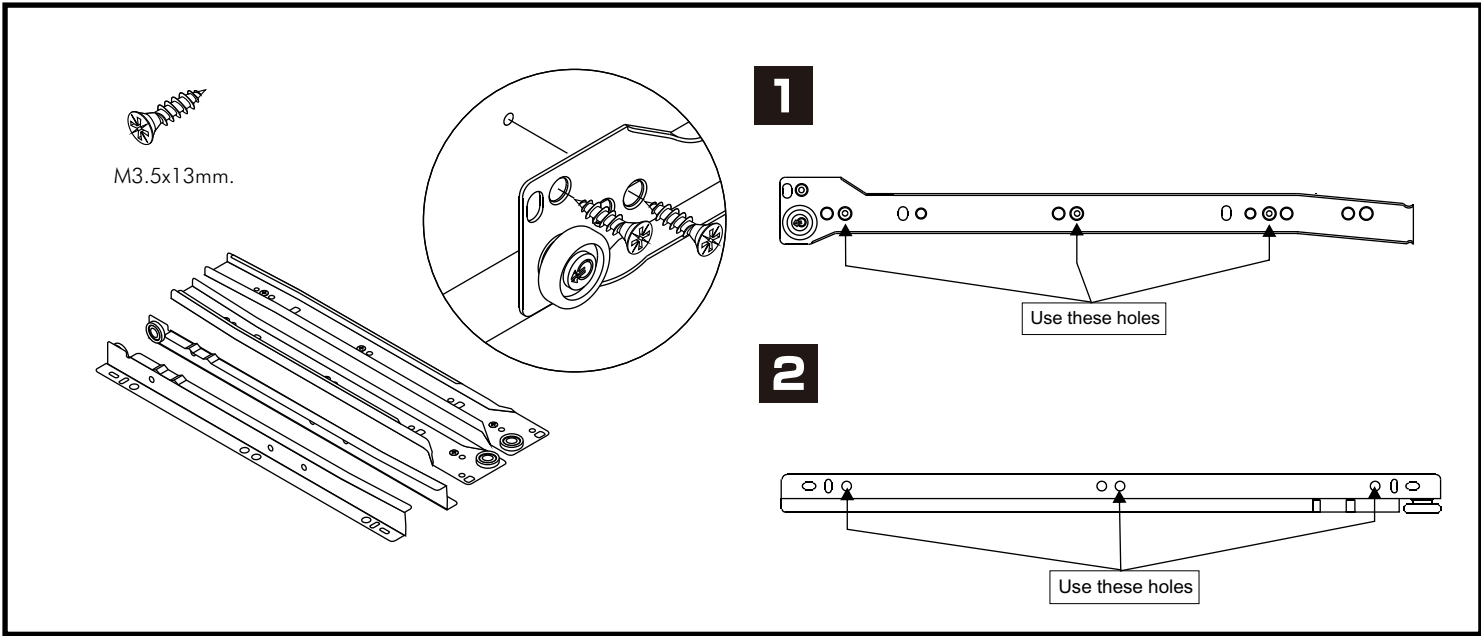


# SKALAR-P

Dressing Table 80 cm.

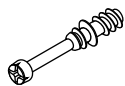


# CONNECT SYSTEM



# HARDWARE

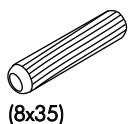
## -BODY SET



**x 6**



**x 6**



(8x35)

**x 12**

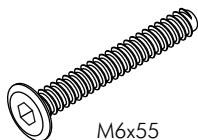


#M6

**x 4**

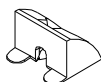


**x 4**



M6x55

**x 4**

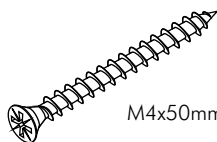


**x 4**



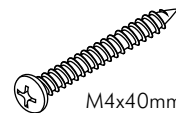
M4x16mm.

**x 1**



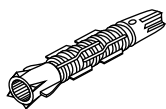
M4x50mm.

**x 7**

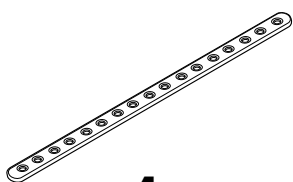


M4x40mm.

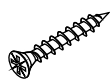
**x 10**



**x 1**

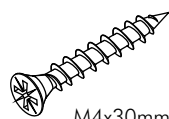


**x 1**



M4x20mm.

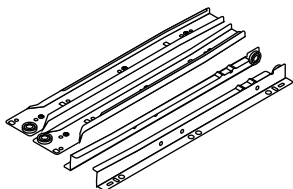
**x 4**



M4x30mm.

**x 11**

## -DRAWER SET



**x 2**



M3.5x13mm.

**x 24**



M4x40mm.

**x 18**

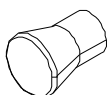


M6x23mm.

**x 5**



**x 1**



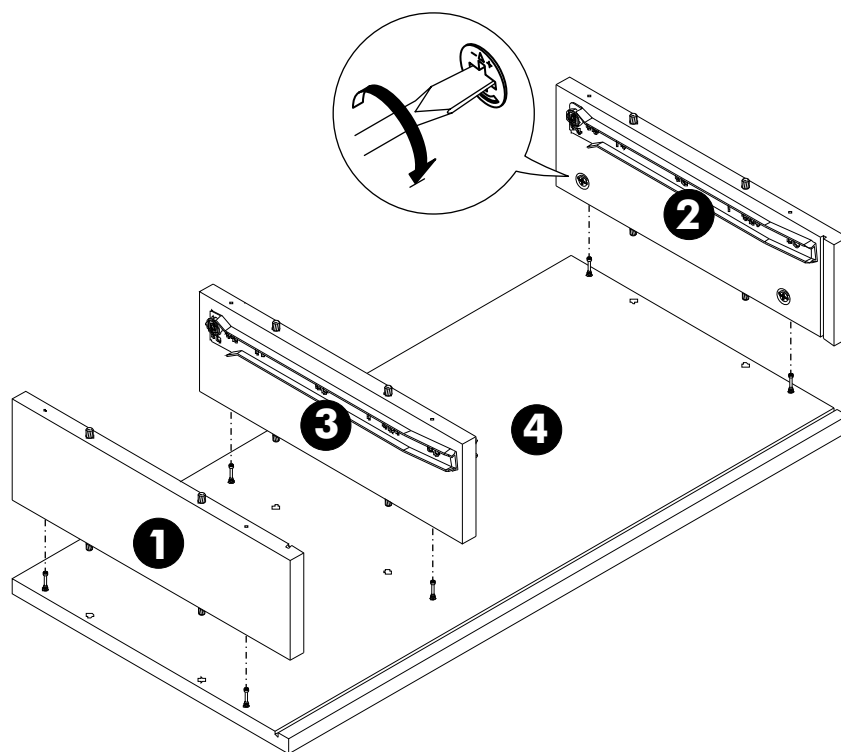
**x 2**



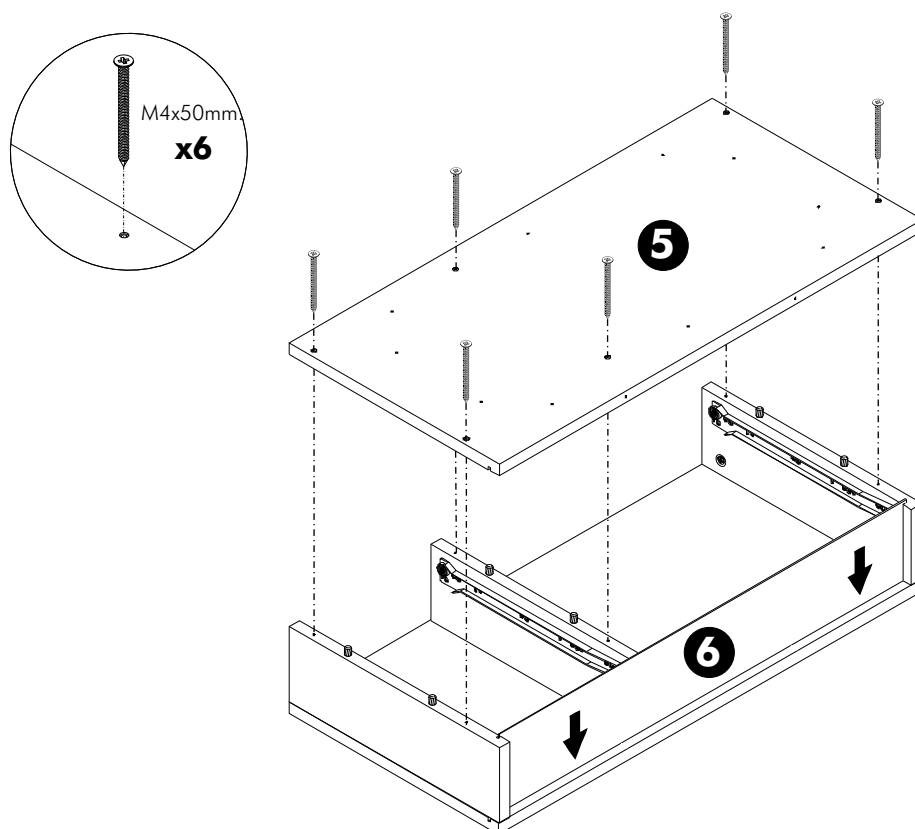
M4x15mm.

**x 2**

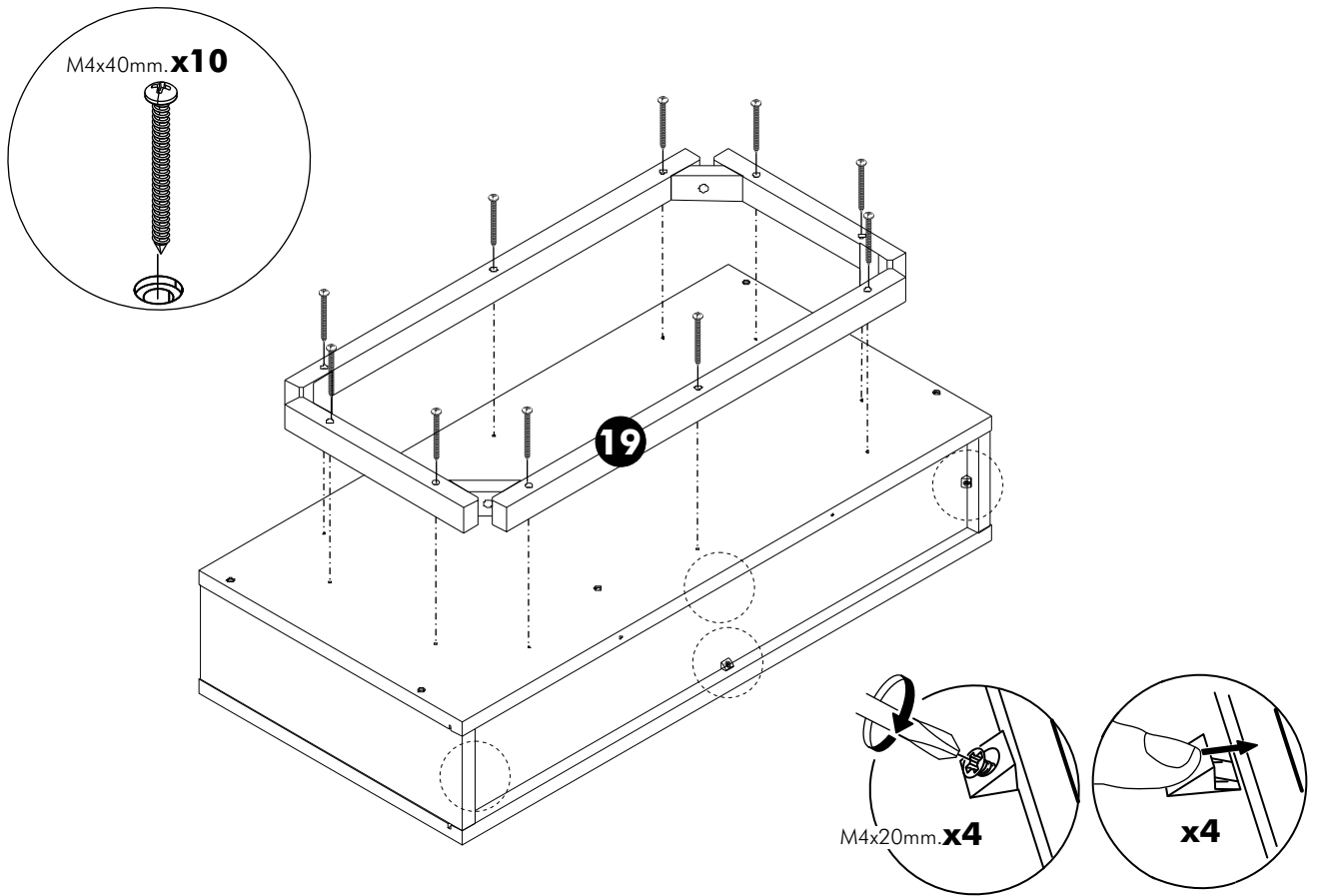
**1.**



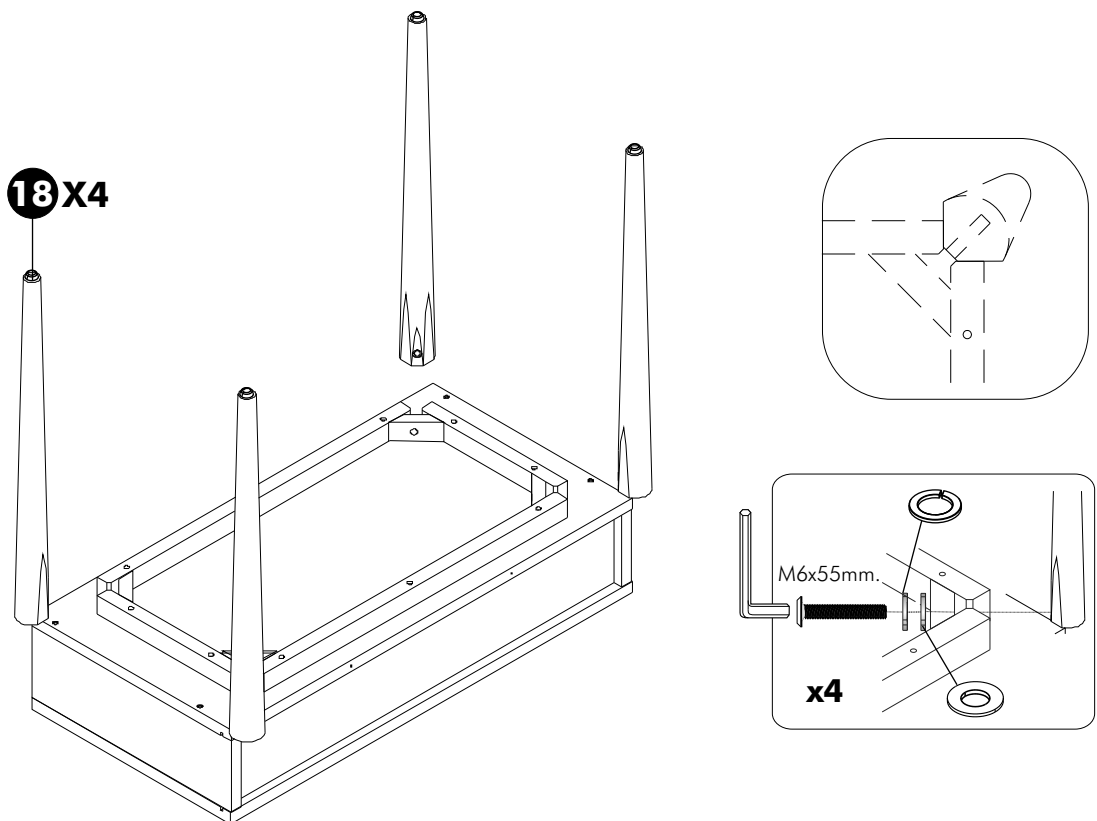
**2.**



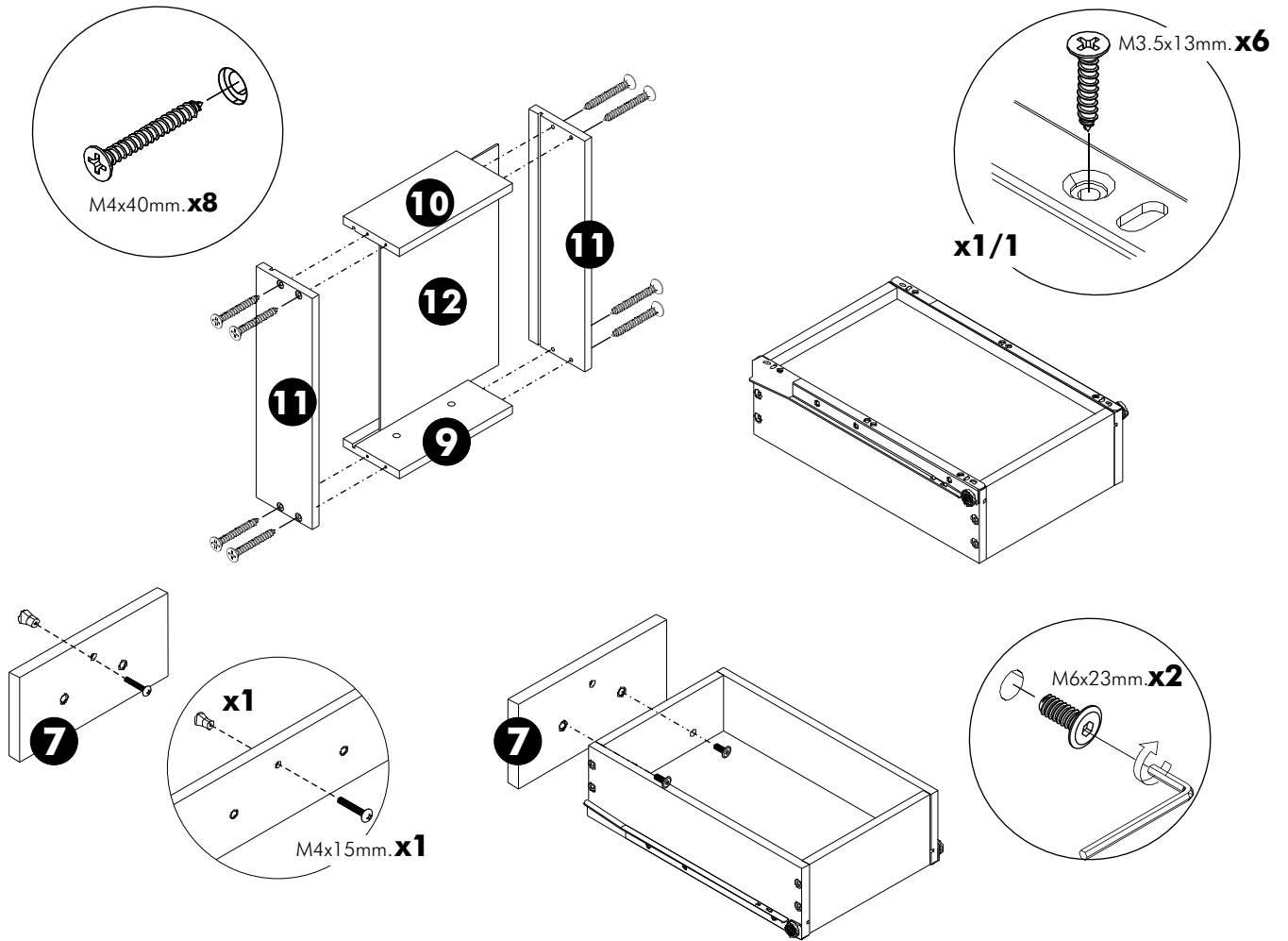
**3.**



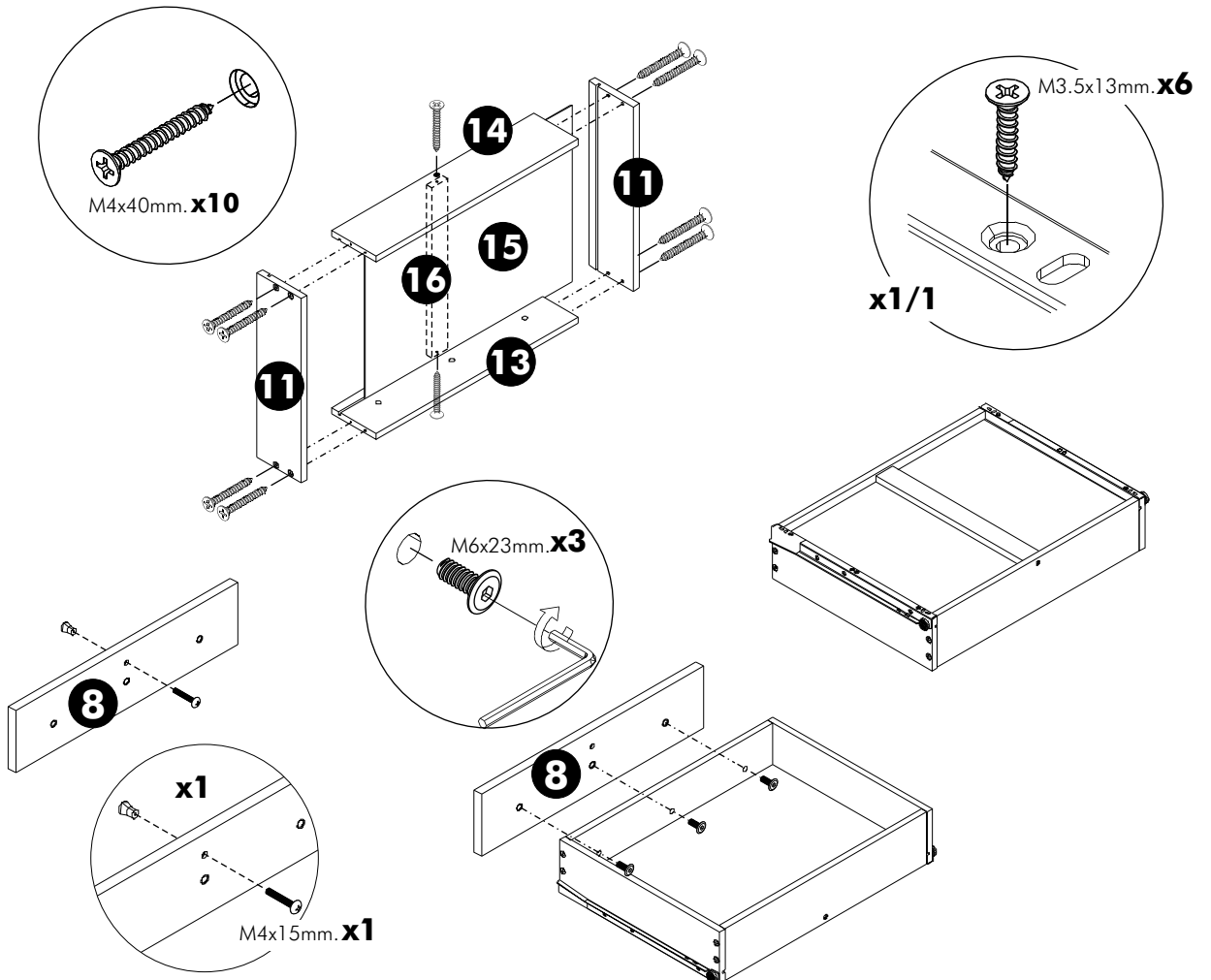
**4.**



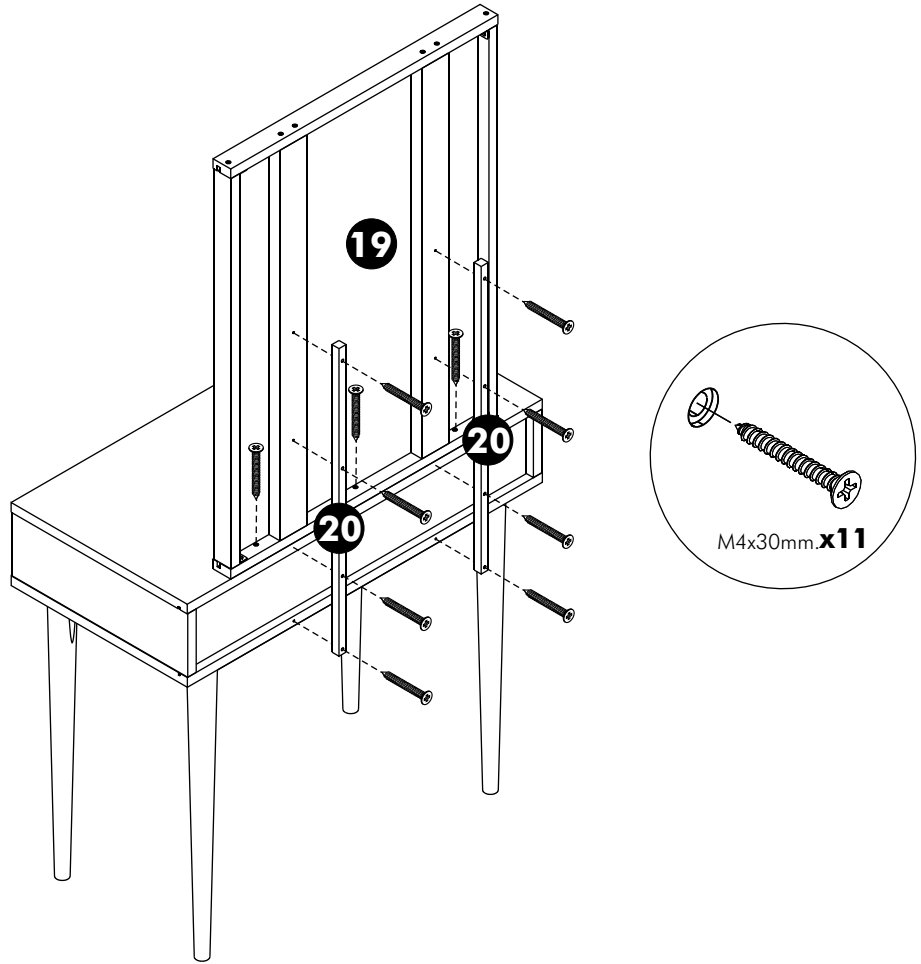
**5.**



**6.**



**7.**



**8.**

