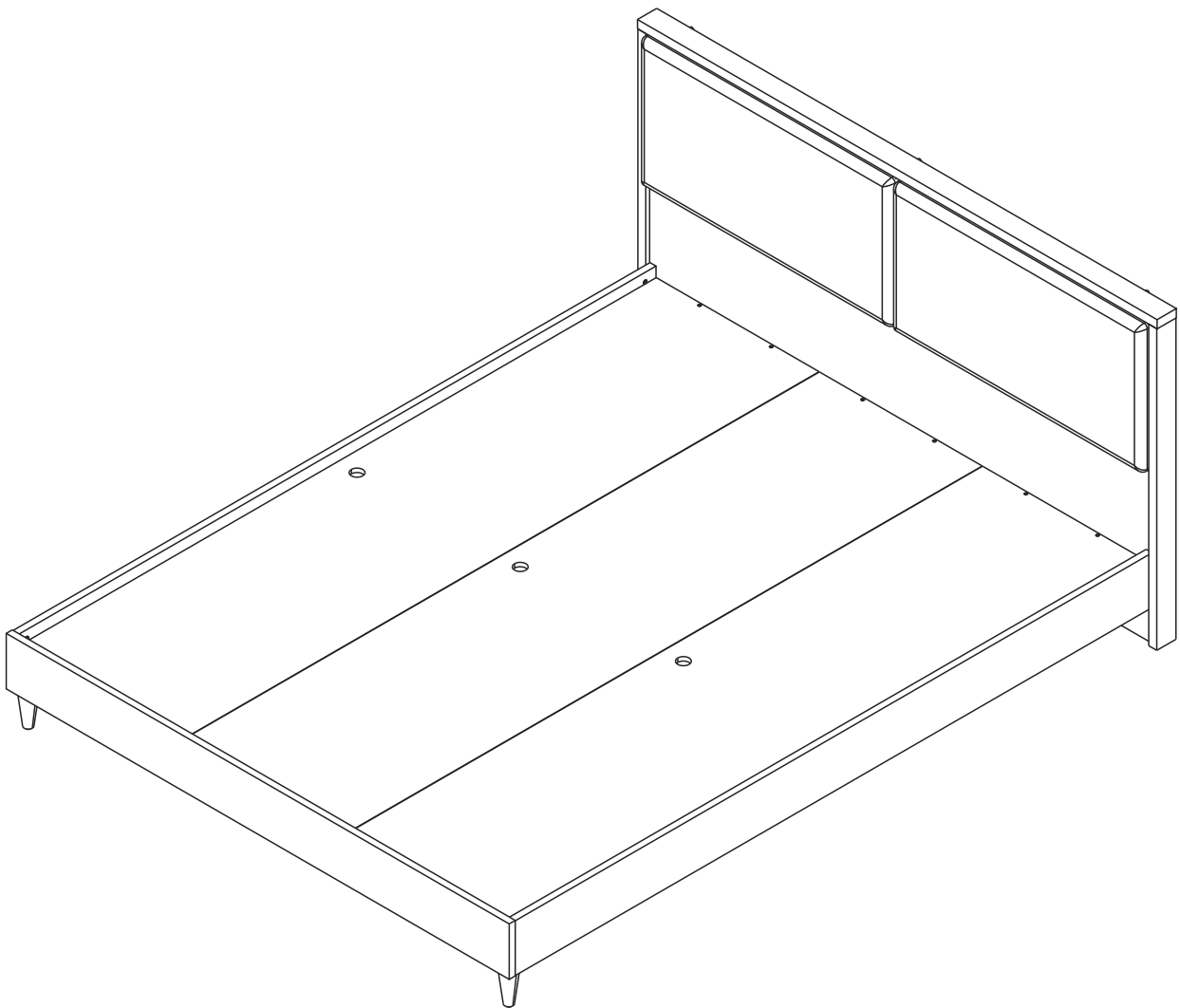
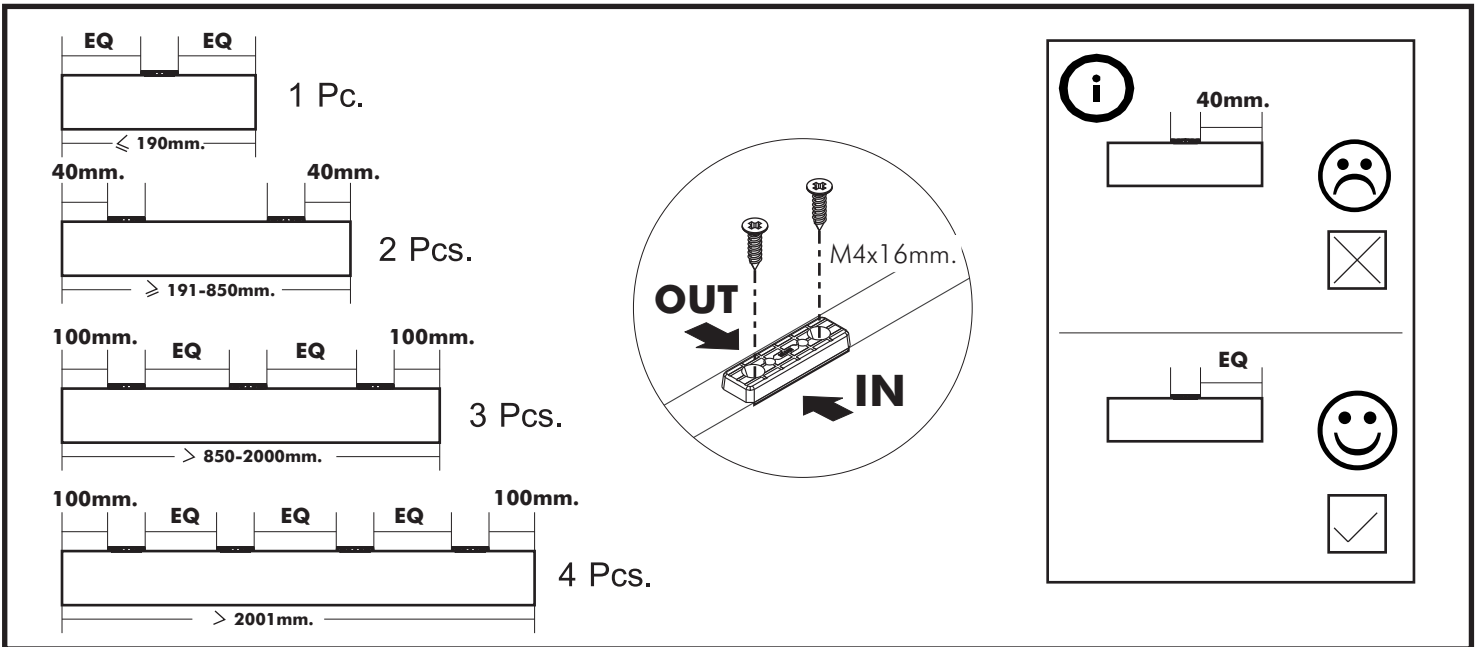
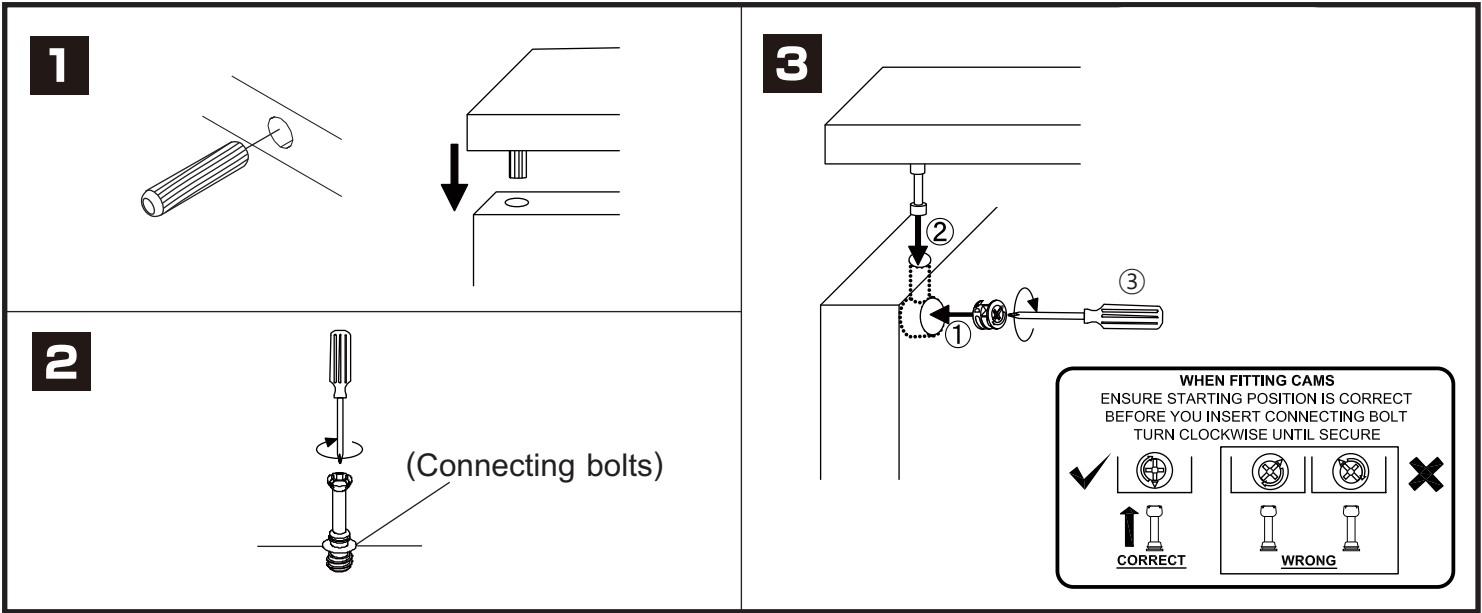


# SKALAR-P

Bed 5ft.



# CONNECT SYSTEM



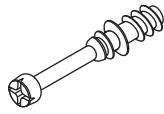
# HARDWARE

## - BODY SET

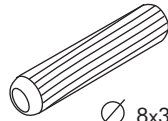


19 mm.

**x 4**

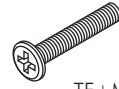


**x 4**



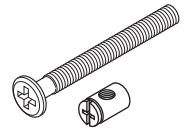
∅ 8x35mm.

**x 8**



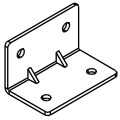
TF+M6x45

**x 4**



JBC+M6x60

**x 4**



**x 2**



#M6

**x 4**



#M6

**x 4**



M4x30mm.

**x 48**



M4x25mm.

**x 10**



M4x16mm.

**x 19**



M4x45mm.

**x 6**

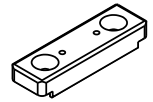


No.1

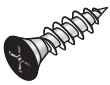
**x 3**



**x 2**

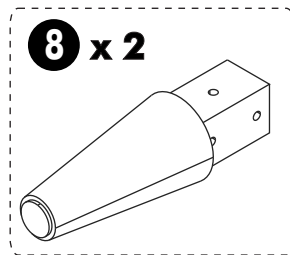


**x 7**



M4x16mm.

**x 14**

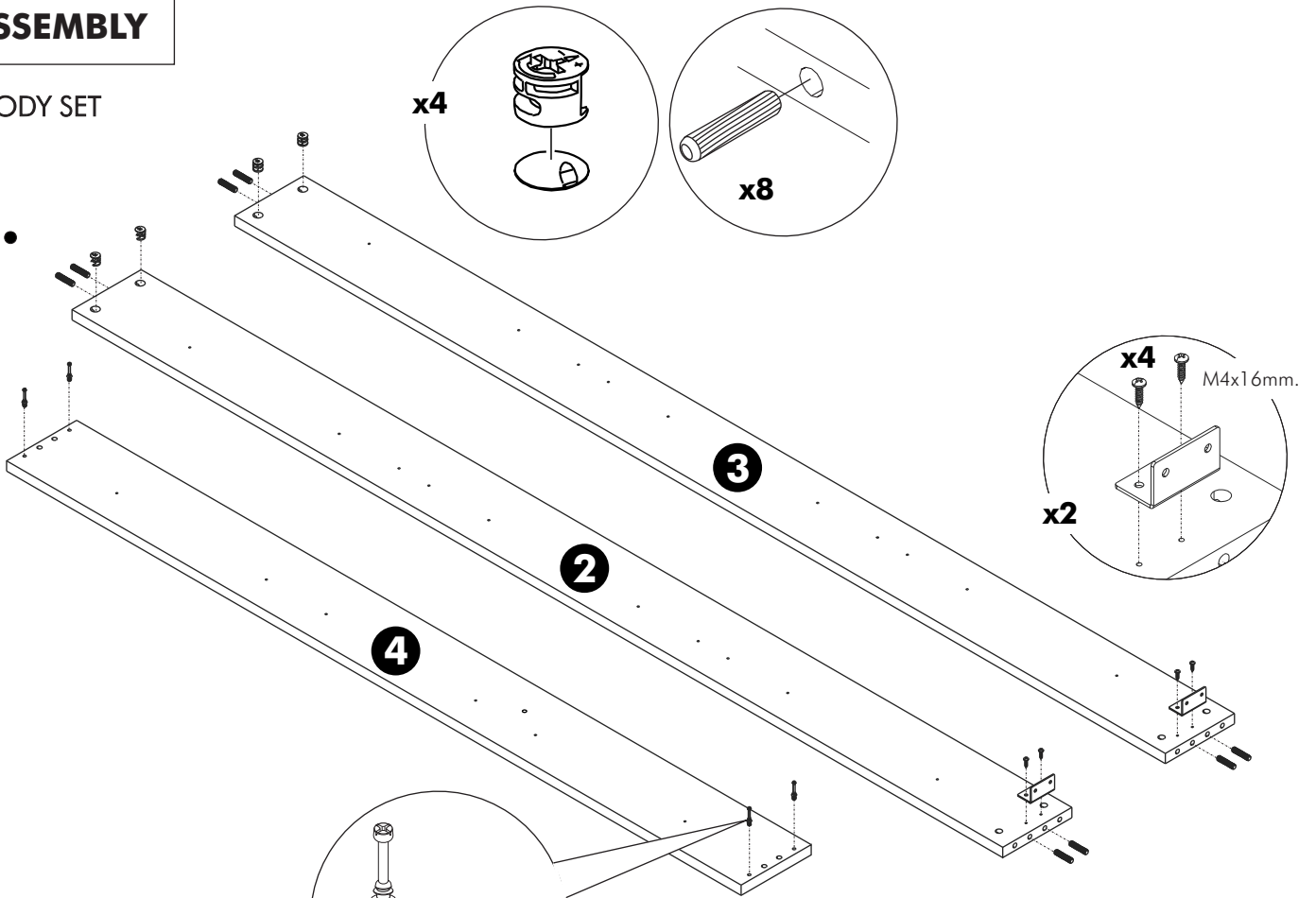


**8 x 2**

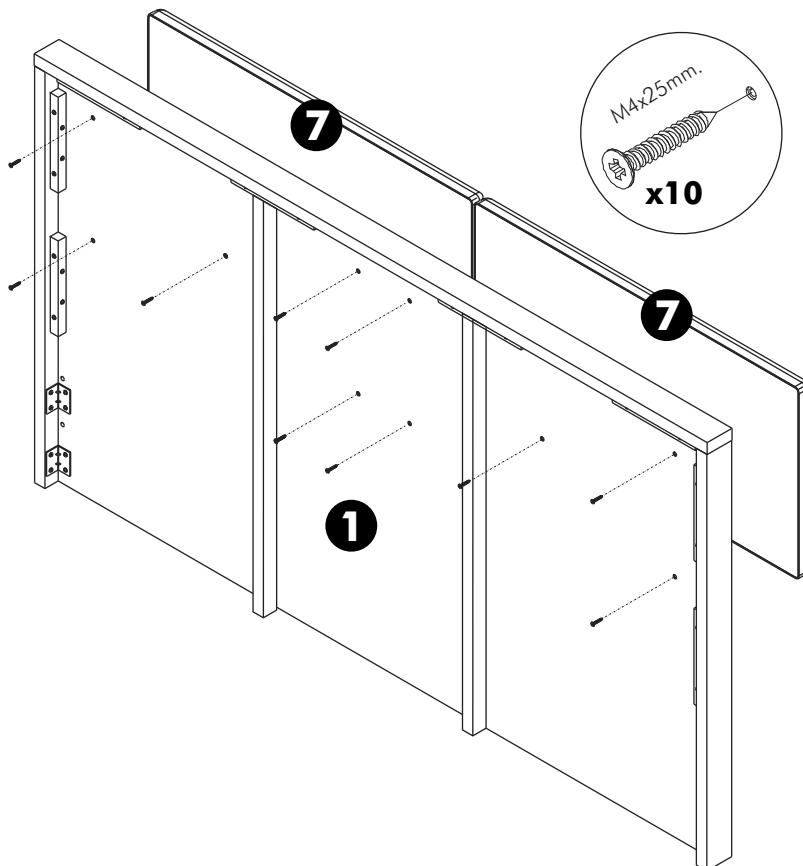
# ASSEMBLY

-BODY SET

**1.**

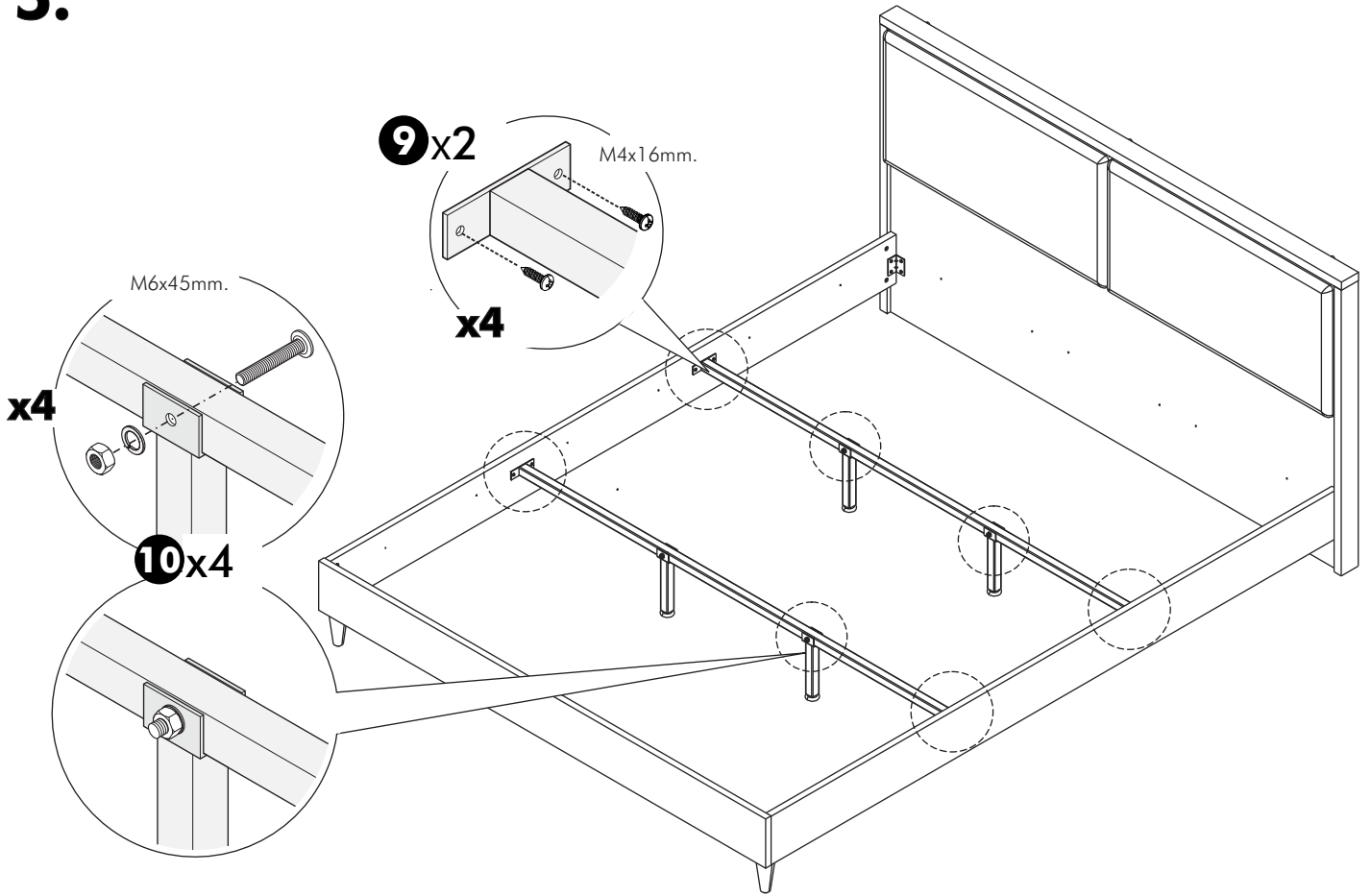


**2.**

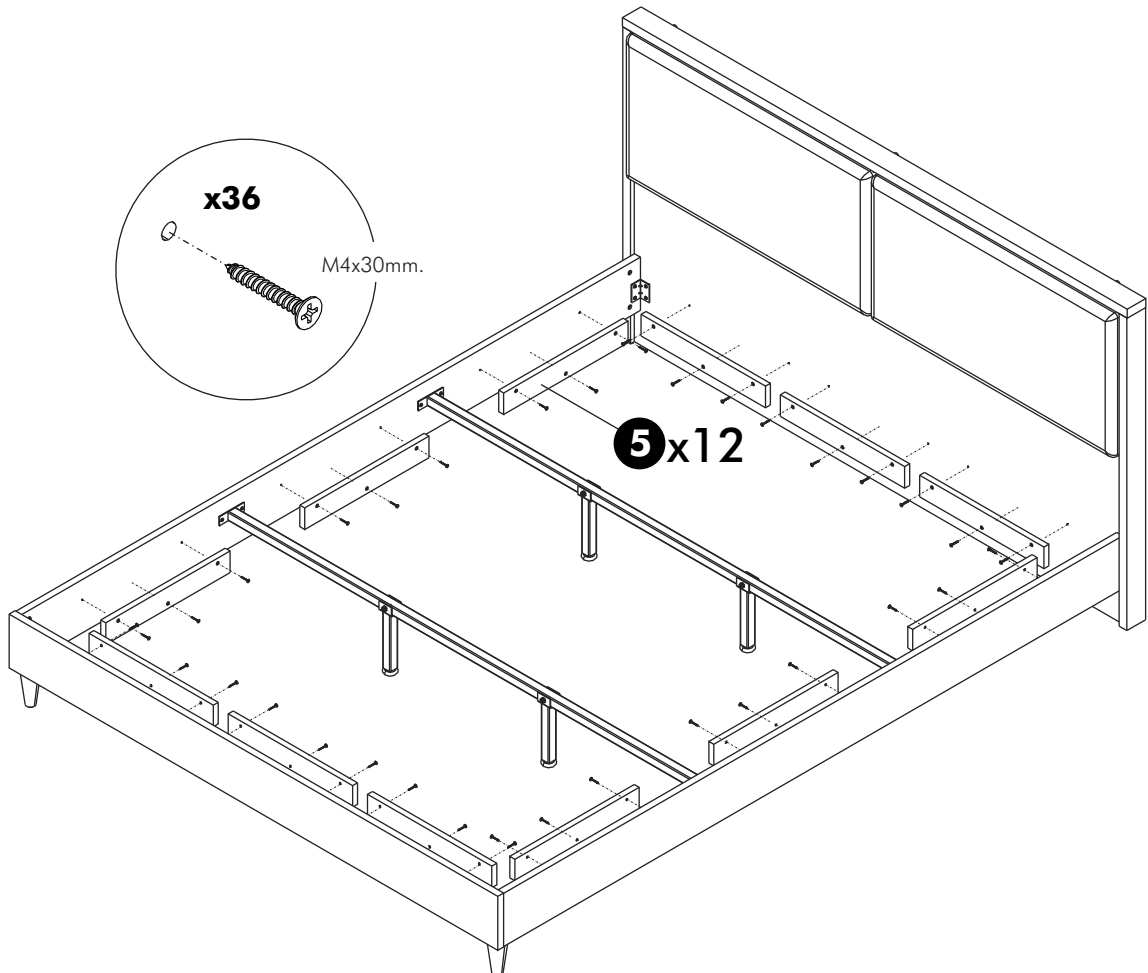




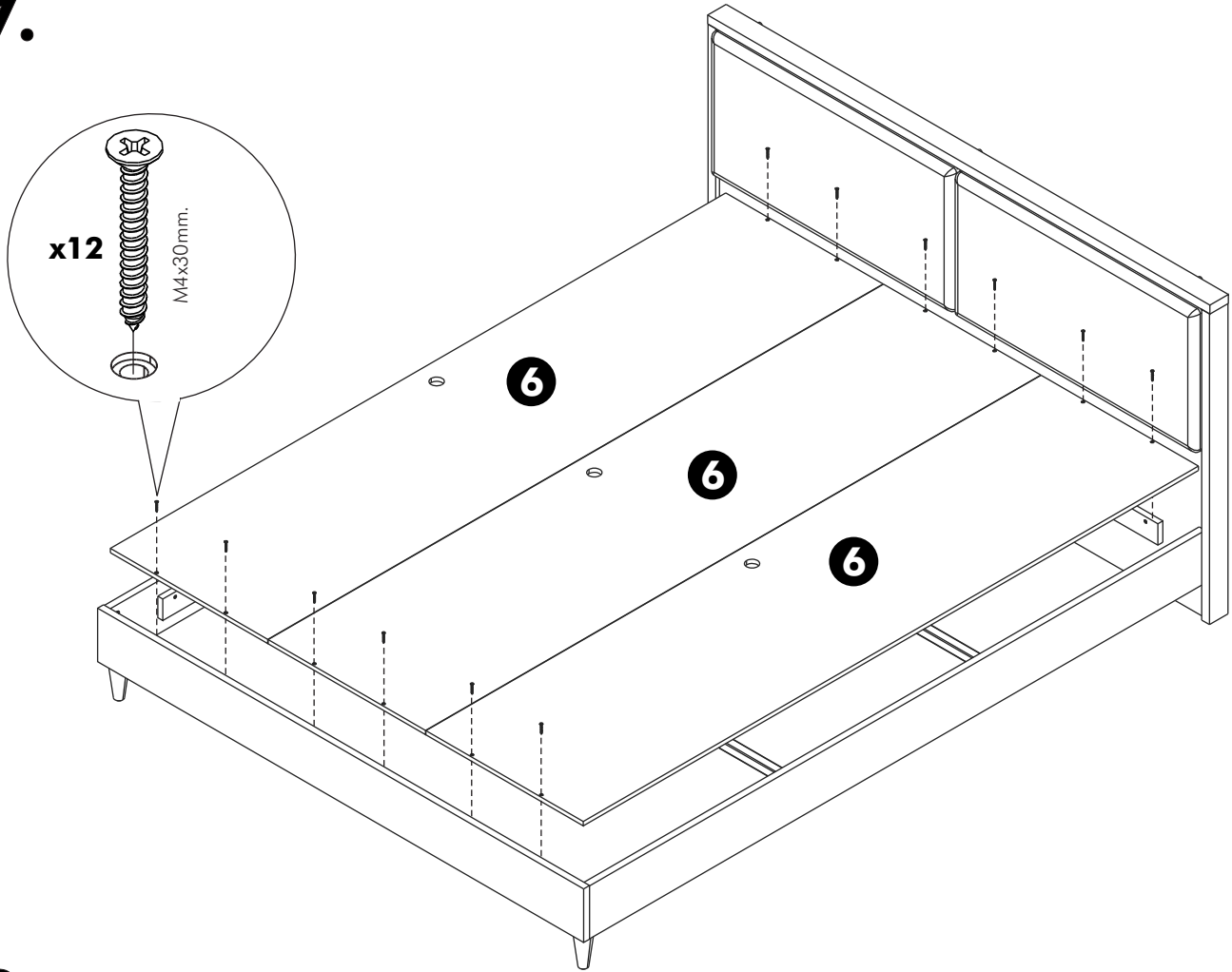
**5.**



**6.**



**7.**



**8.**

