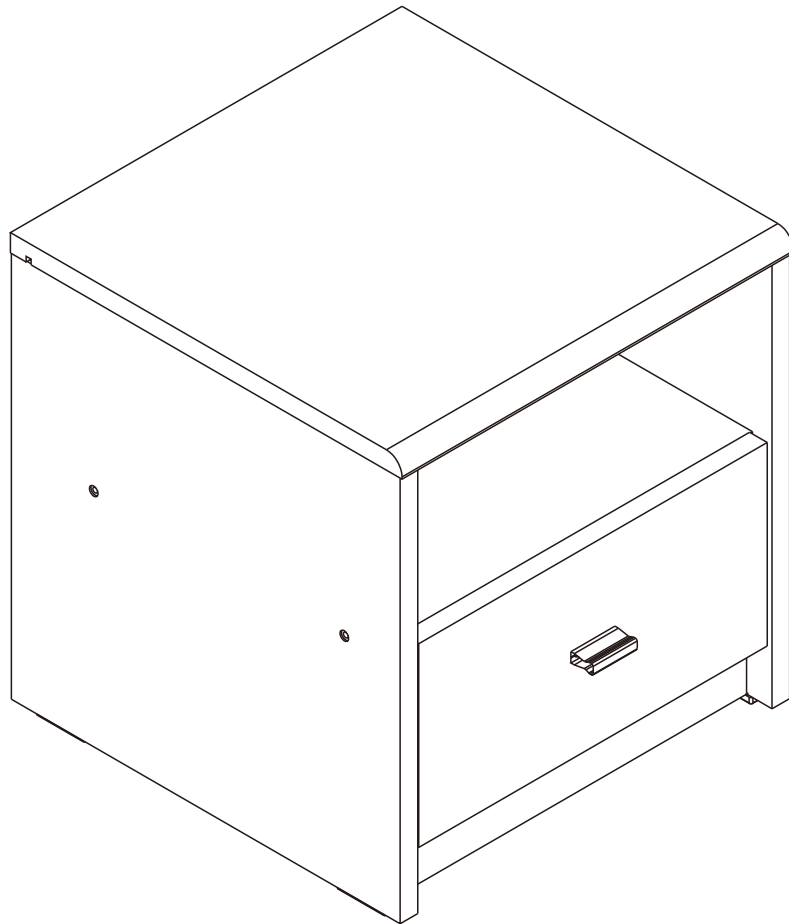
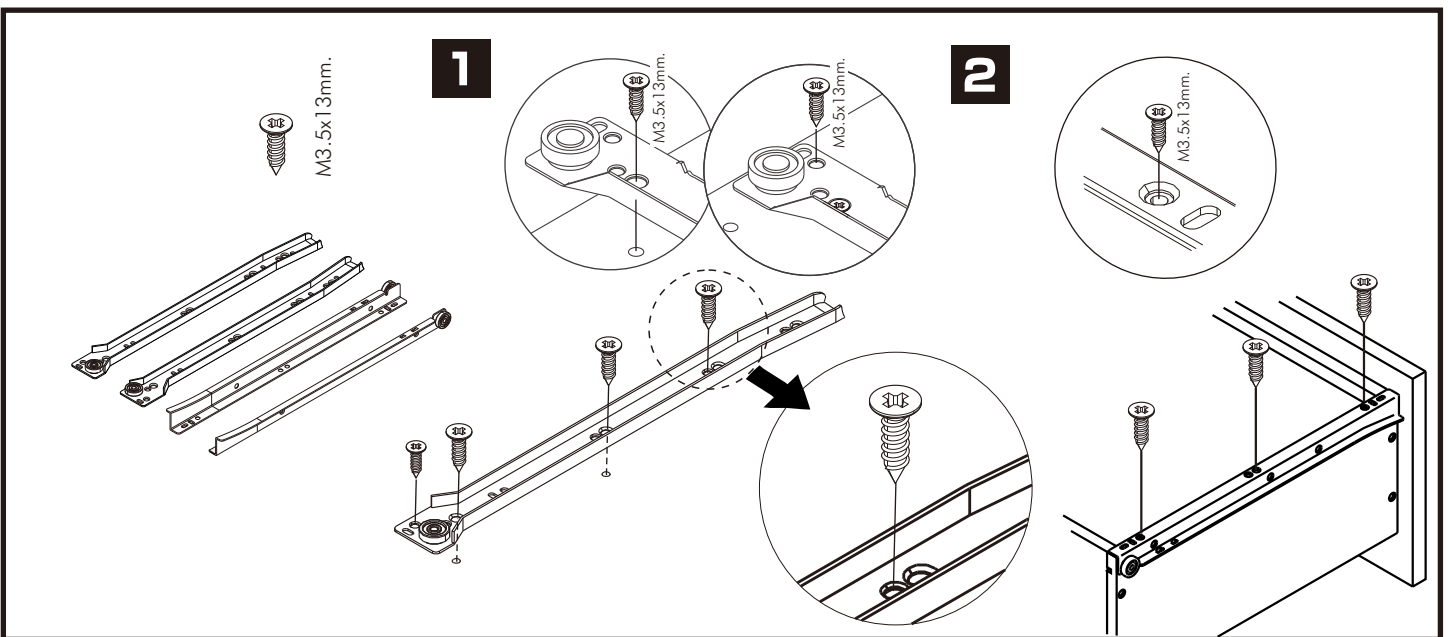
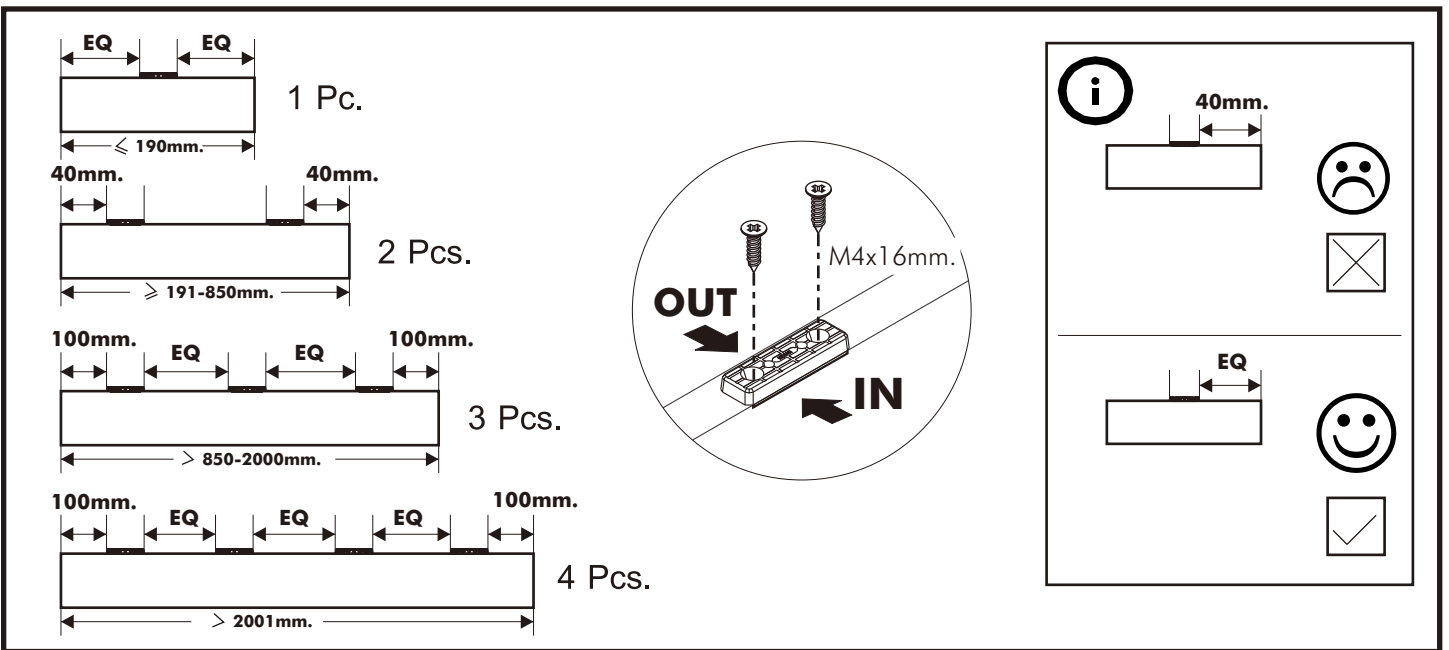
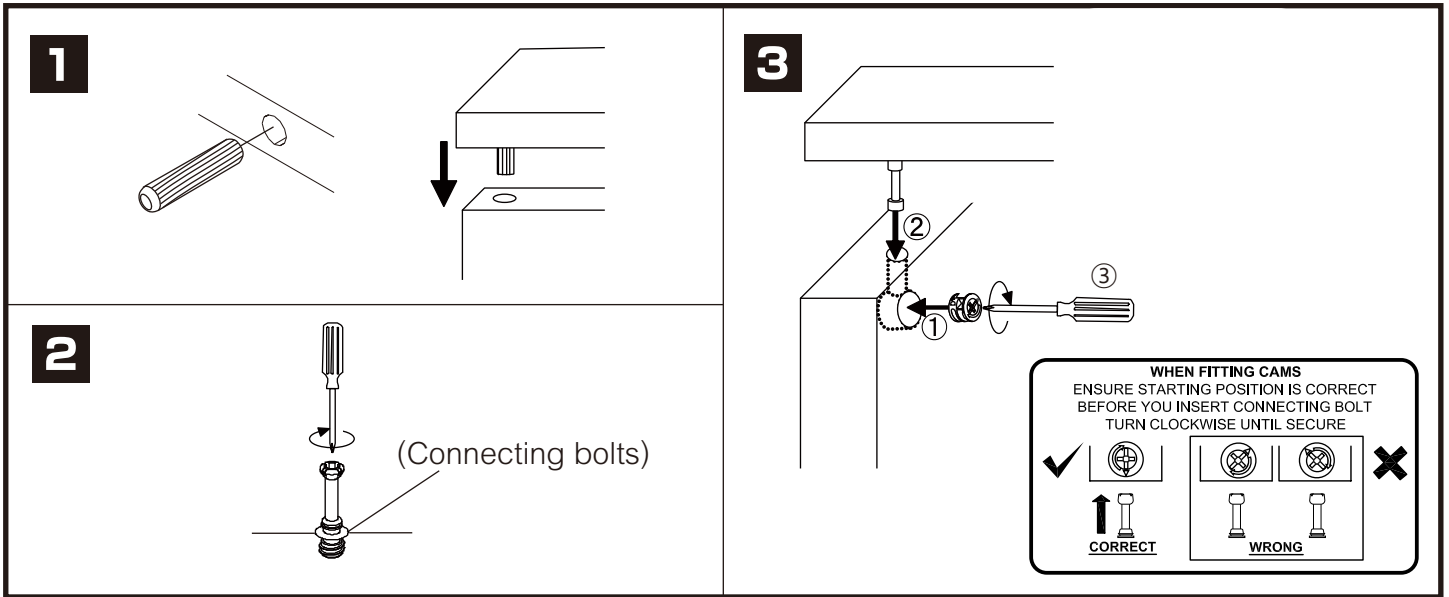


WINNER-P

Night Table

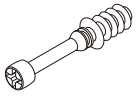


CONNECT SYSTEM



HARDWARE

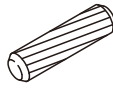
-BODY SET



x 4

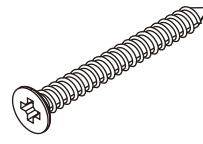


x 4



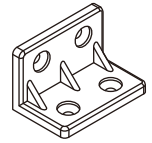
8x35mm.

x 8

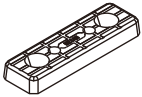


M4x50mm.

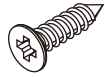
x 4



x 4



x 4



M4x16mm.

x 24



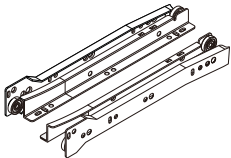
M4x16mm.

x 4



x 4

-DRAWER SET

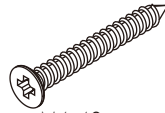


x 1



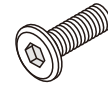
M3.5x13mm.

x 14



M4x40mm.

x 8

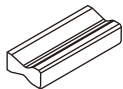


M6x23mm.

x 2



x 1



x 1



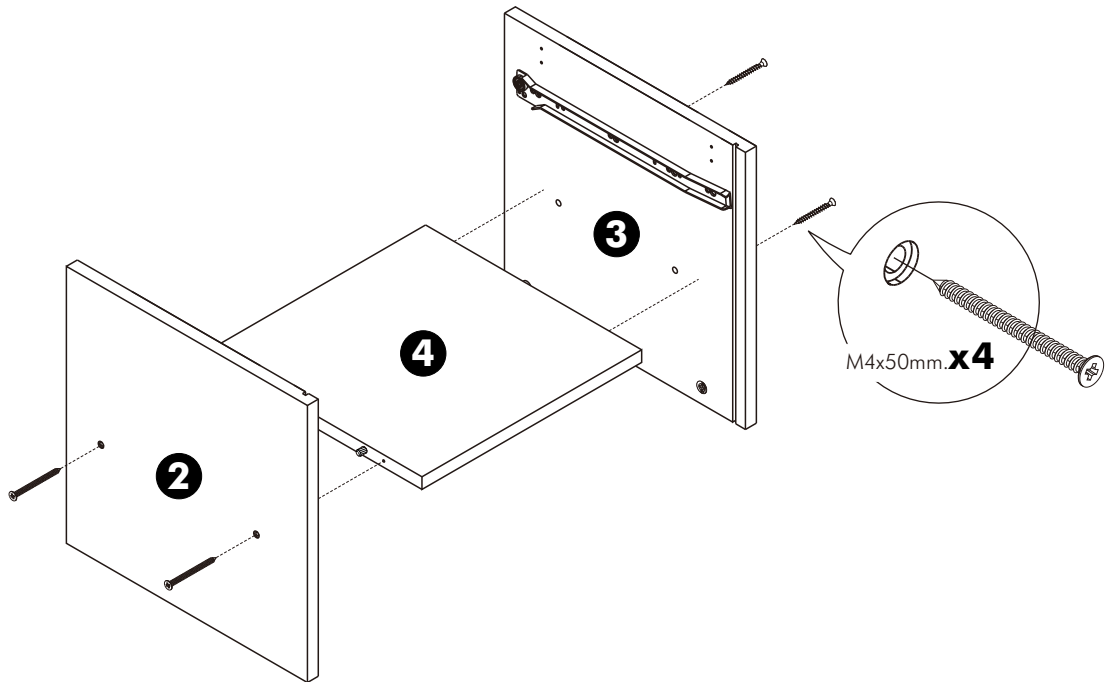
M4x25mm.

x 2

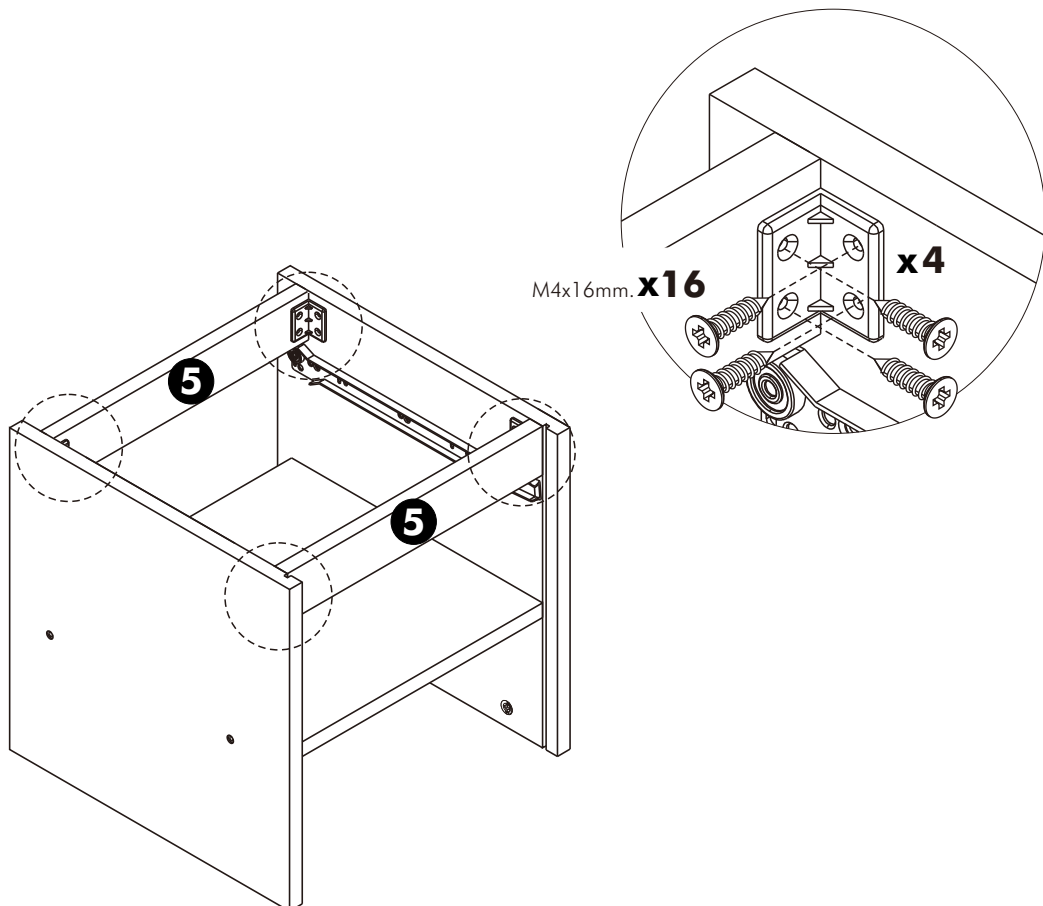
ASSEMBLY

-BODY SET

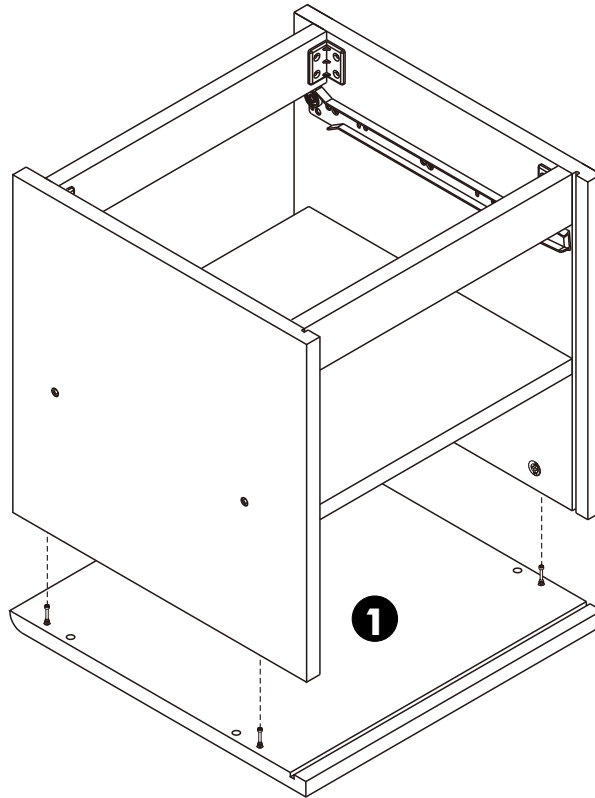
1.



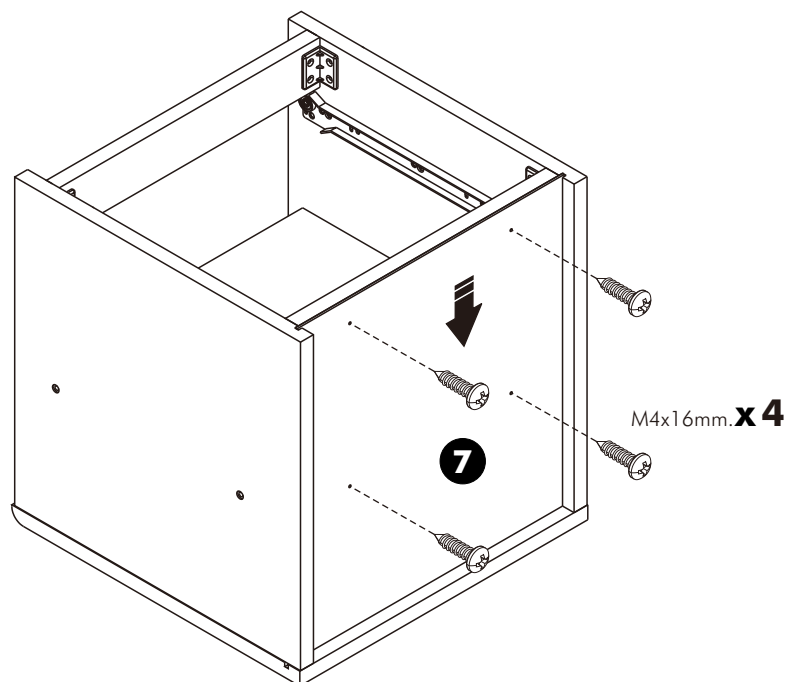
2.



3.

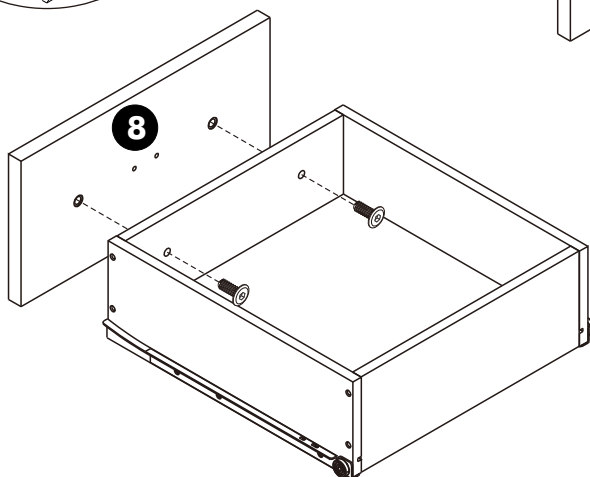
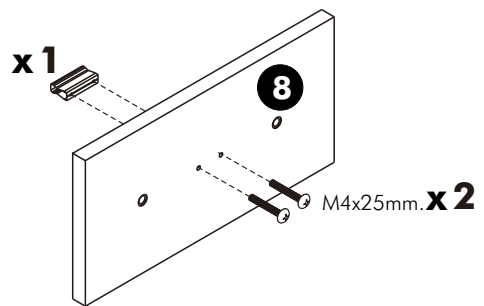
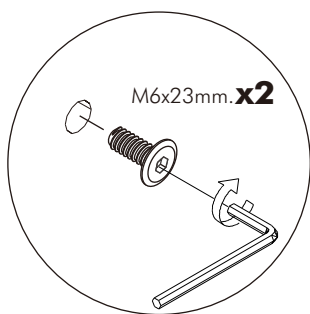
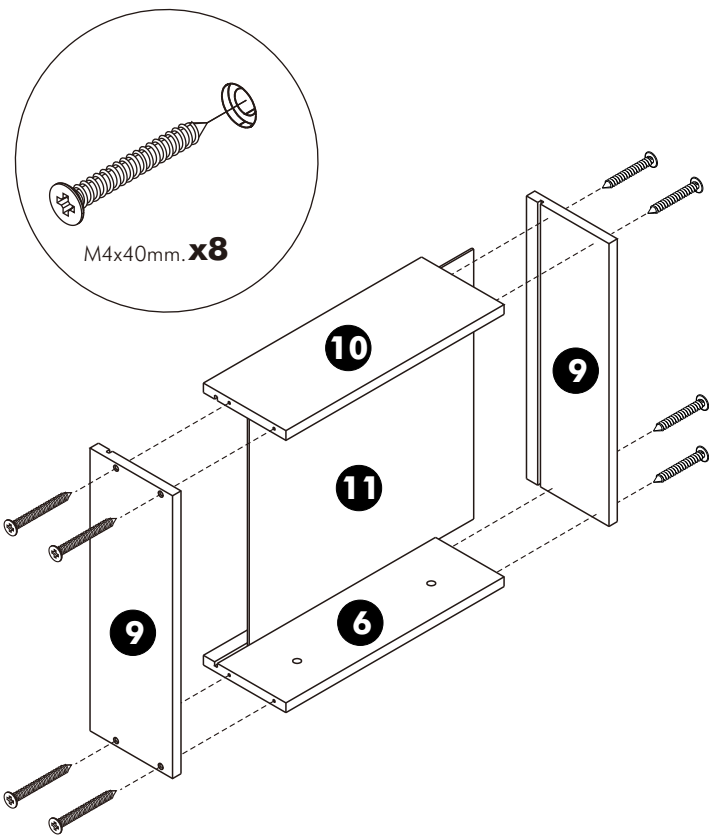


4.



ASSEMBLY

-DRAWER SET



7.

