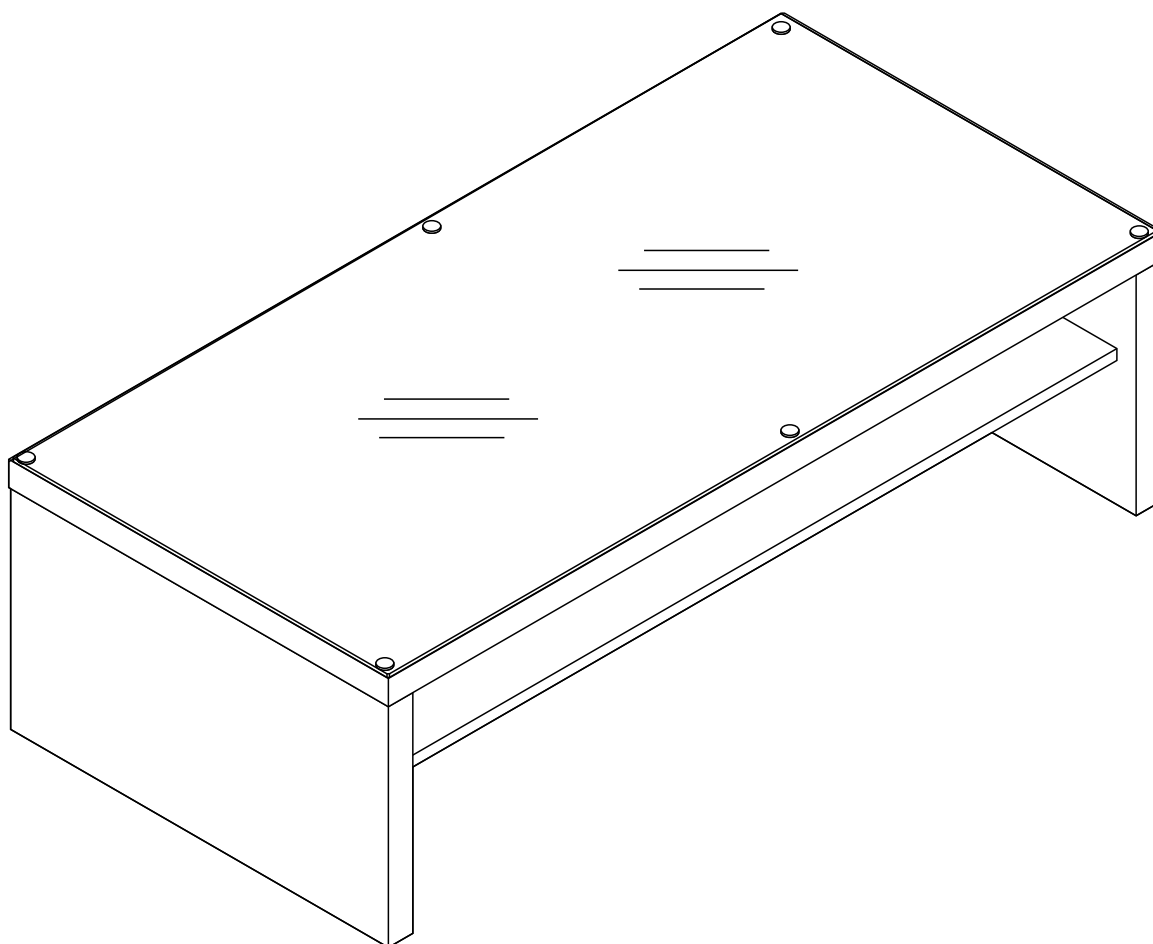
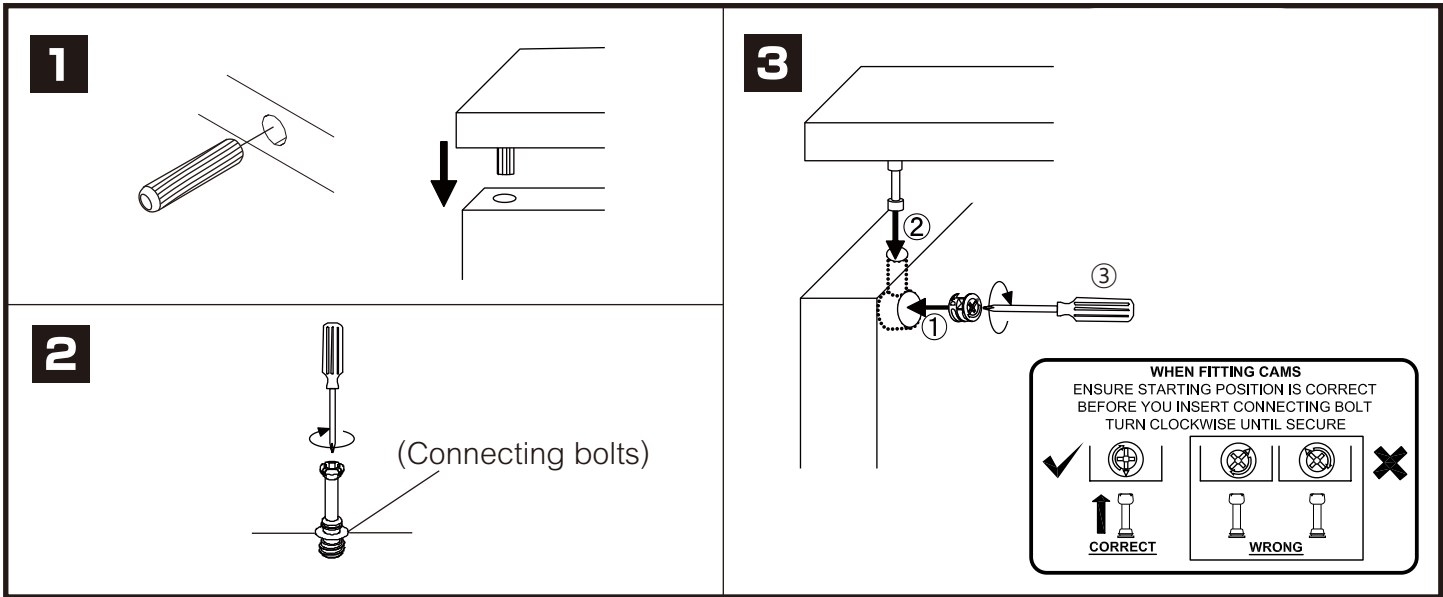


# CRUZE-P

Coffee table 1200 mm.



# CONNECT SYSTEM

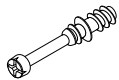


# HARDWARE

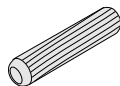
-BODY SET



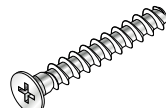
**X 14**



**X 14**



8\*35 mm.  
**X 12**



DWS+C M5.5\*38  
**X 2**



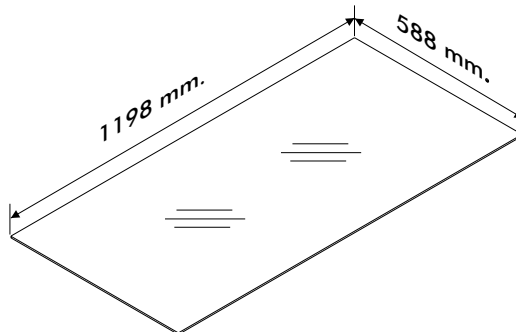
**X 6**



**X 2**



**X 6**

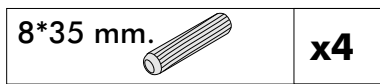
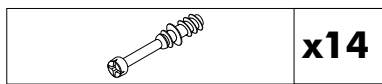
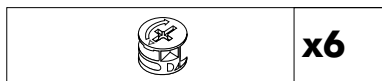
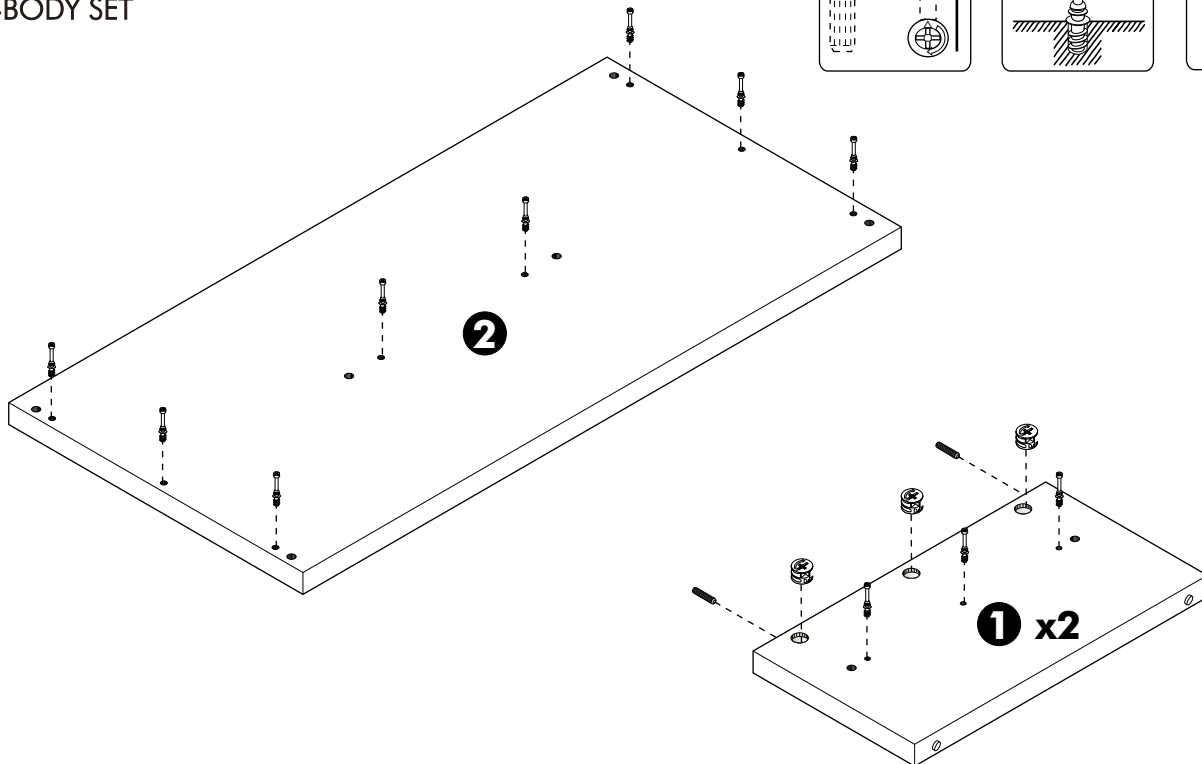


**X 1**

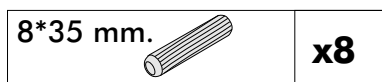
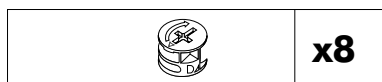
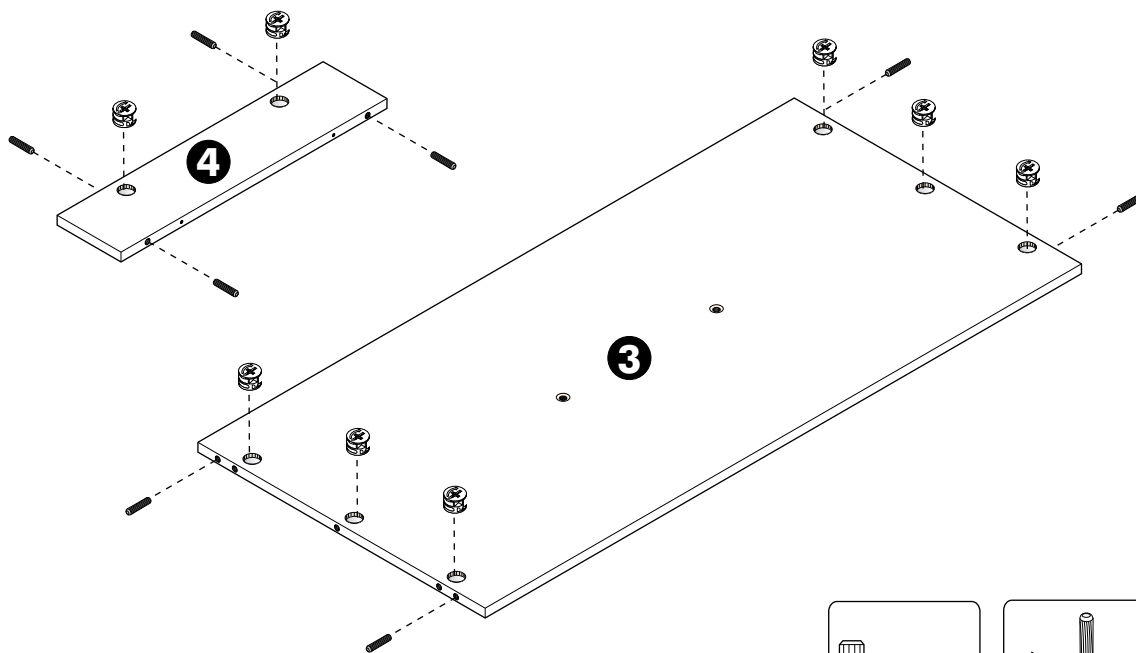
# ASSEMBLY

-BODY SET

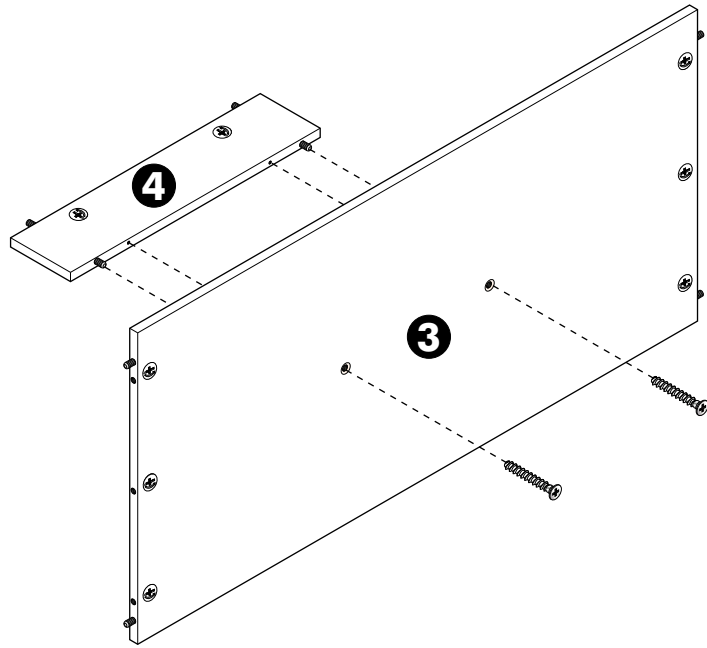
## 1.



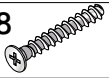
## 2.



**3.**

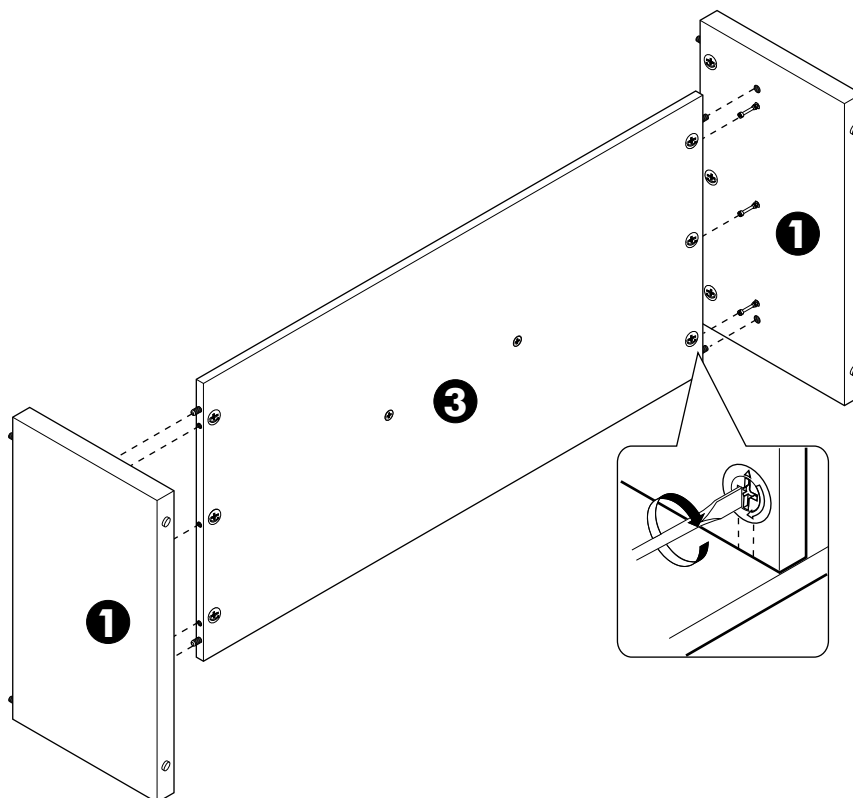


M5.5\*38

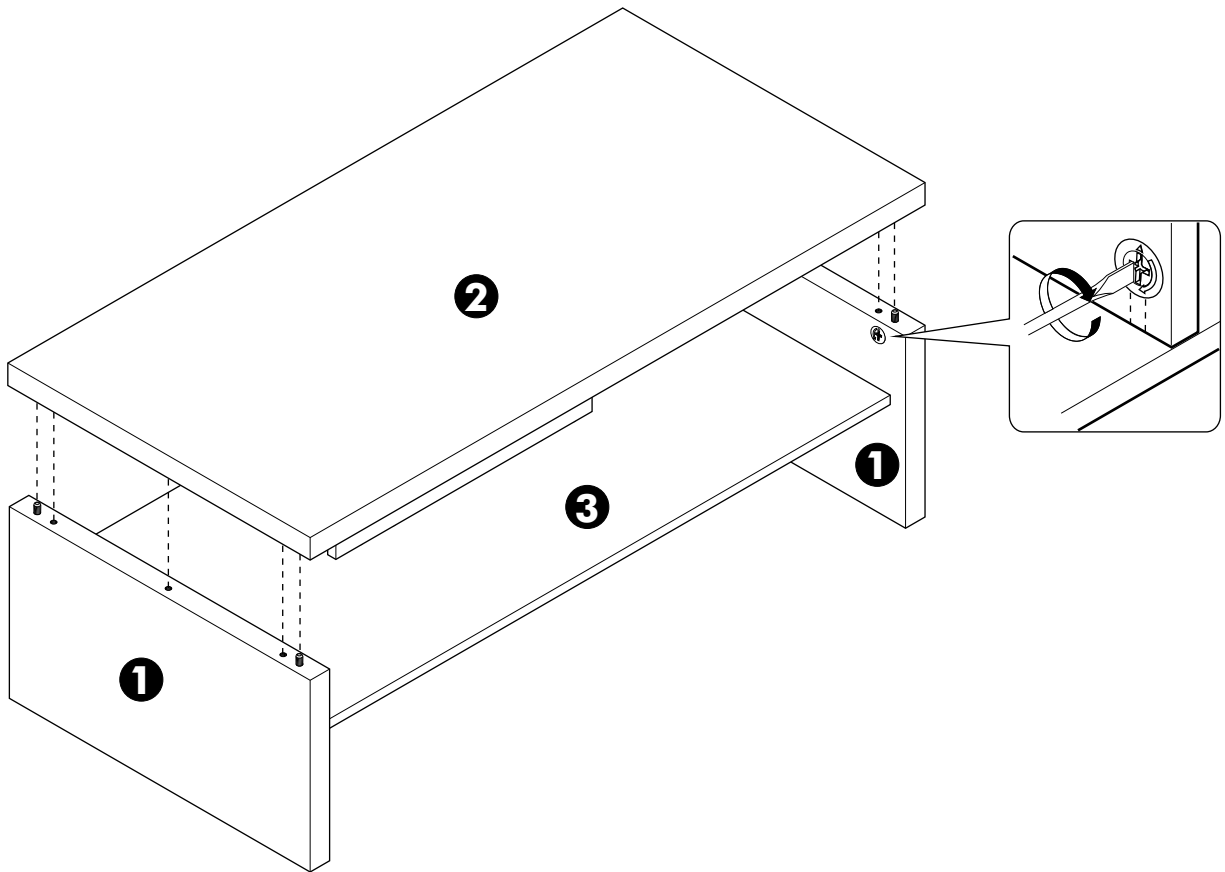


**x2**

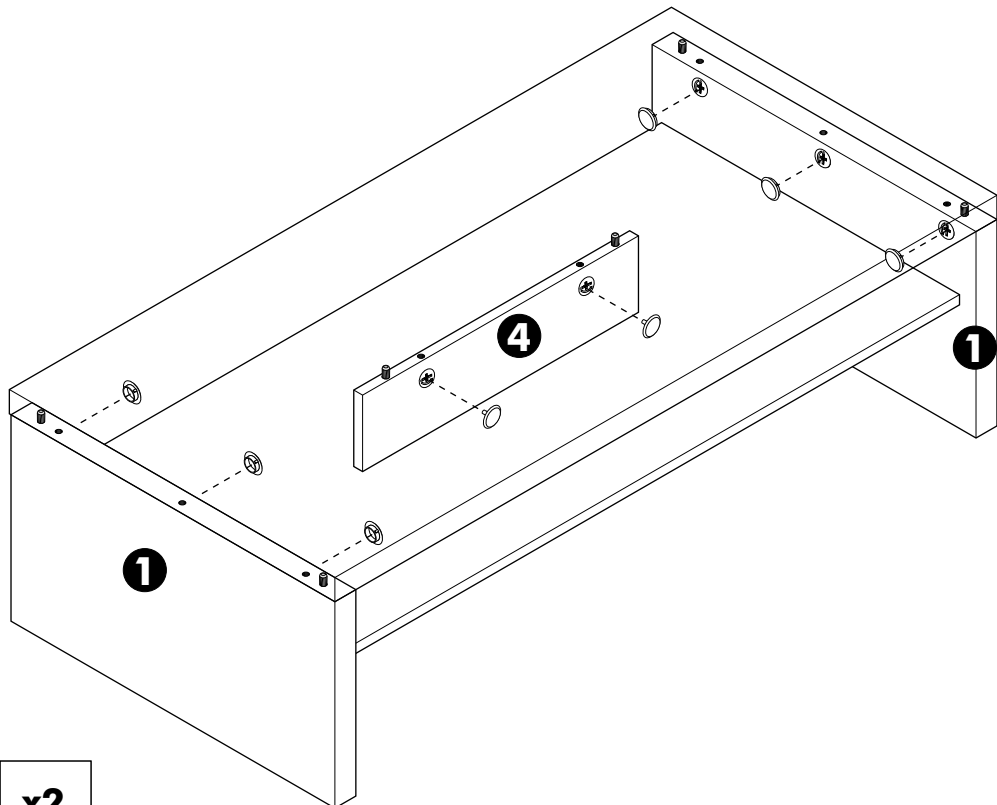
**4.**



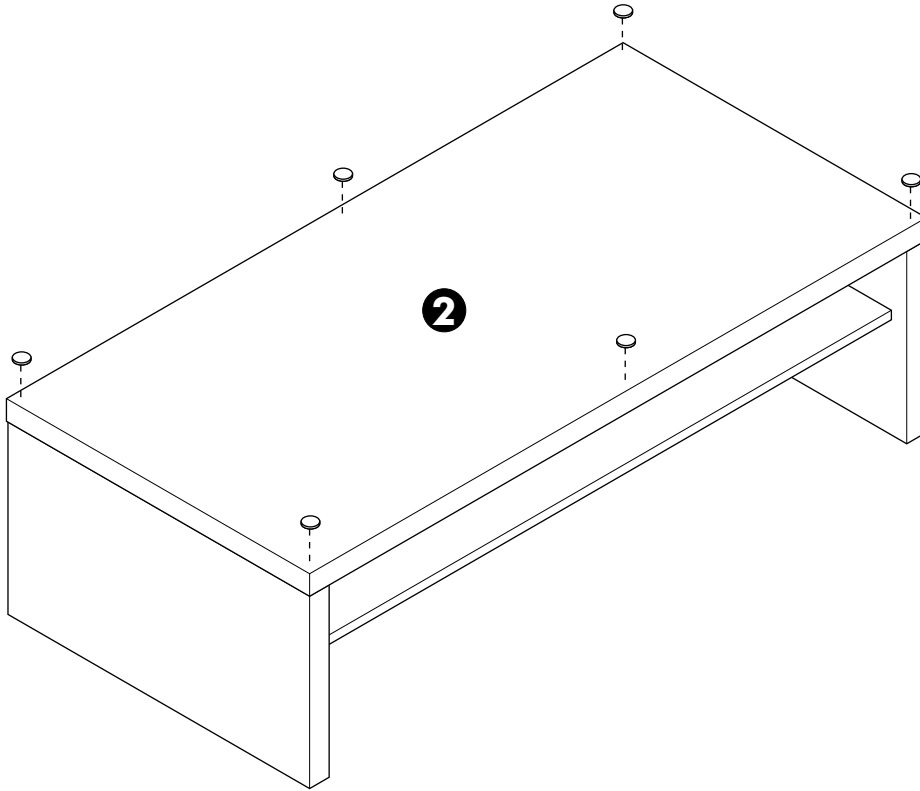
**5.**



**6.**



**7.**



**8.**

