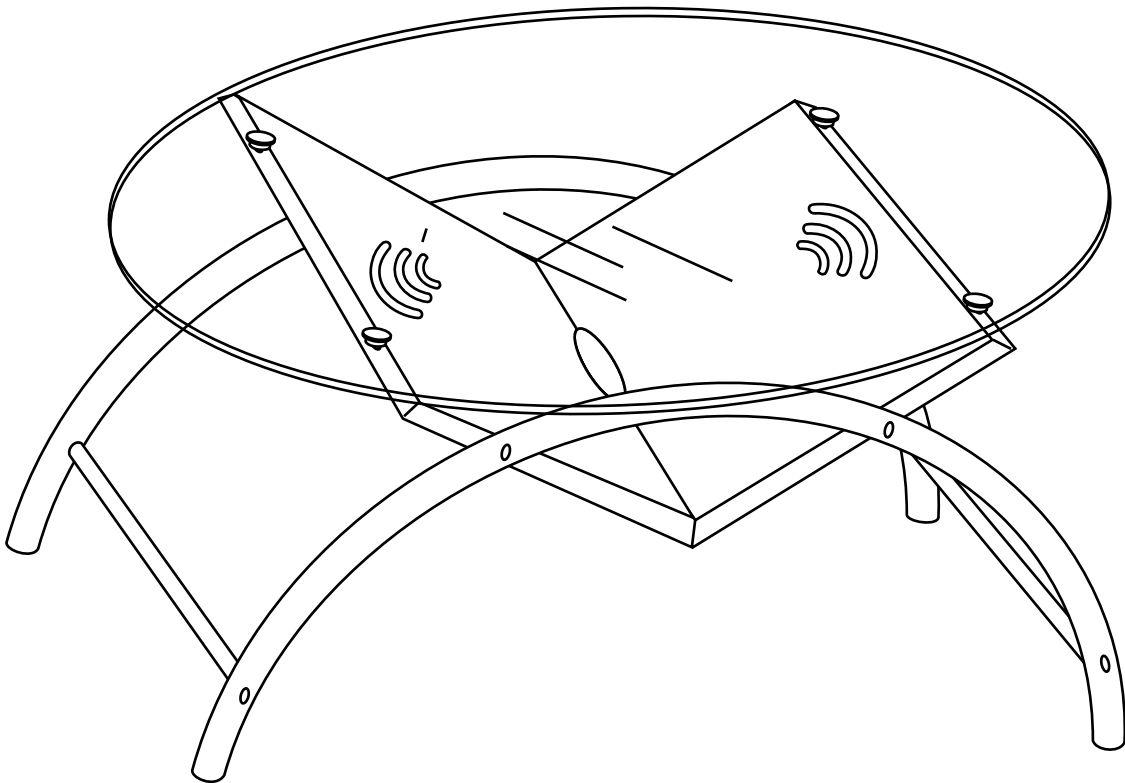


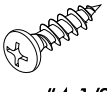
BAR-P

Coffee table 60x90



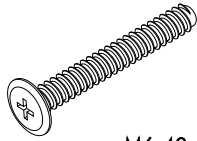
HARDWARE

-BODY SET



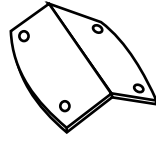
#4x1/2"(P)

x 8



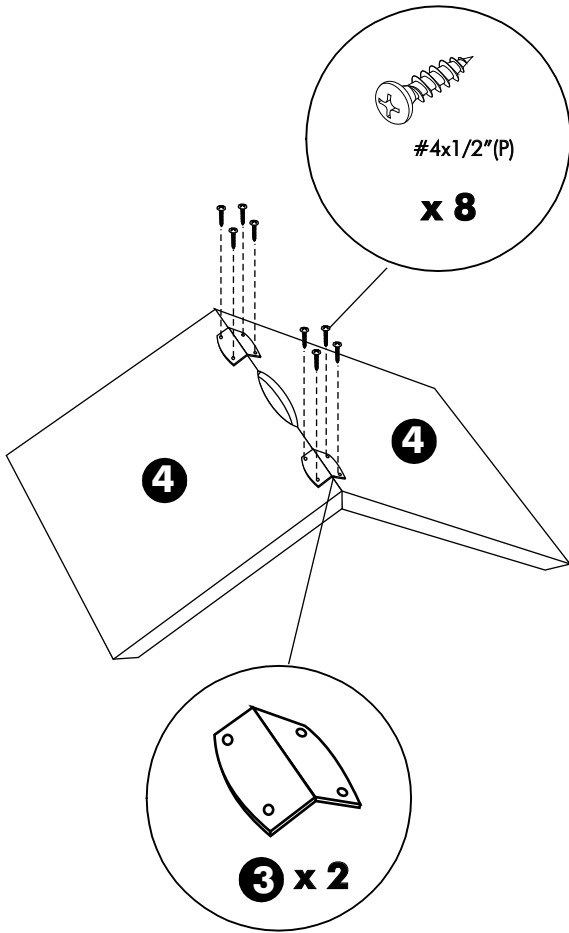
M6x40mm.

x 8

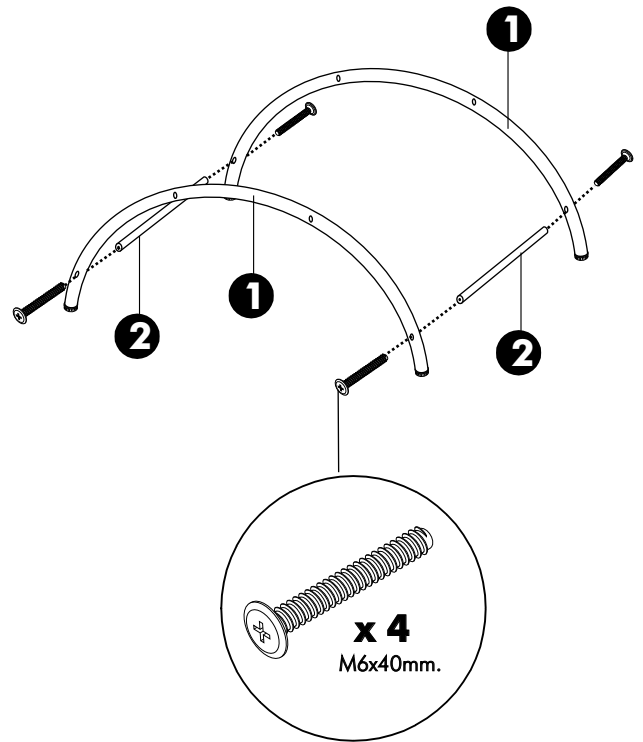


3 x 2

1.

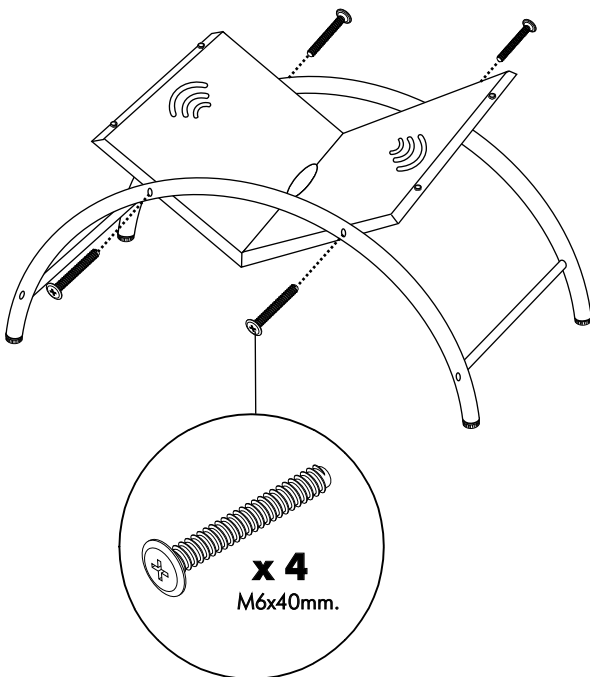


2.

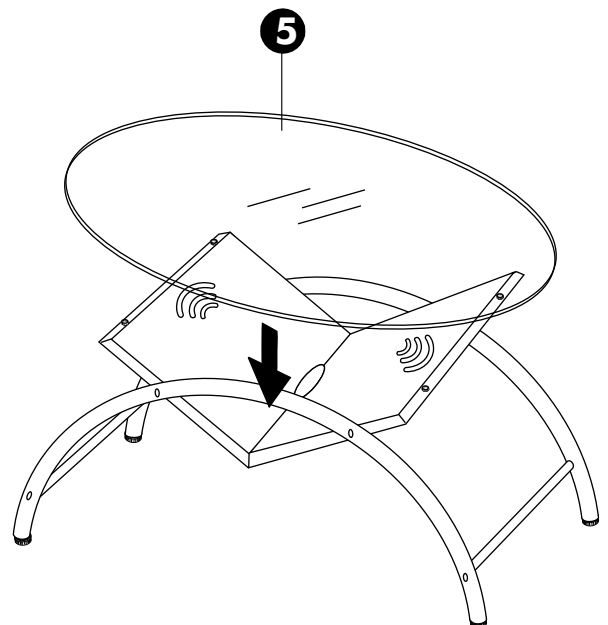


NOTE: Do not over tighten cam screws.

3.



4.



NOTE: Retighten screw "M6x40mm."