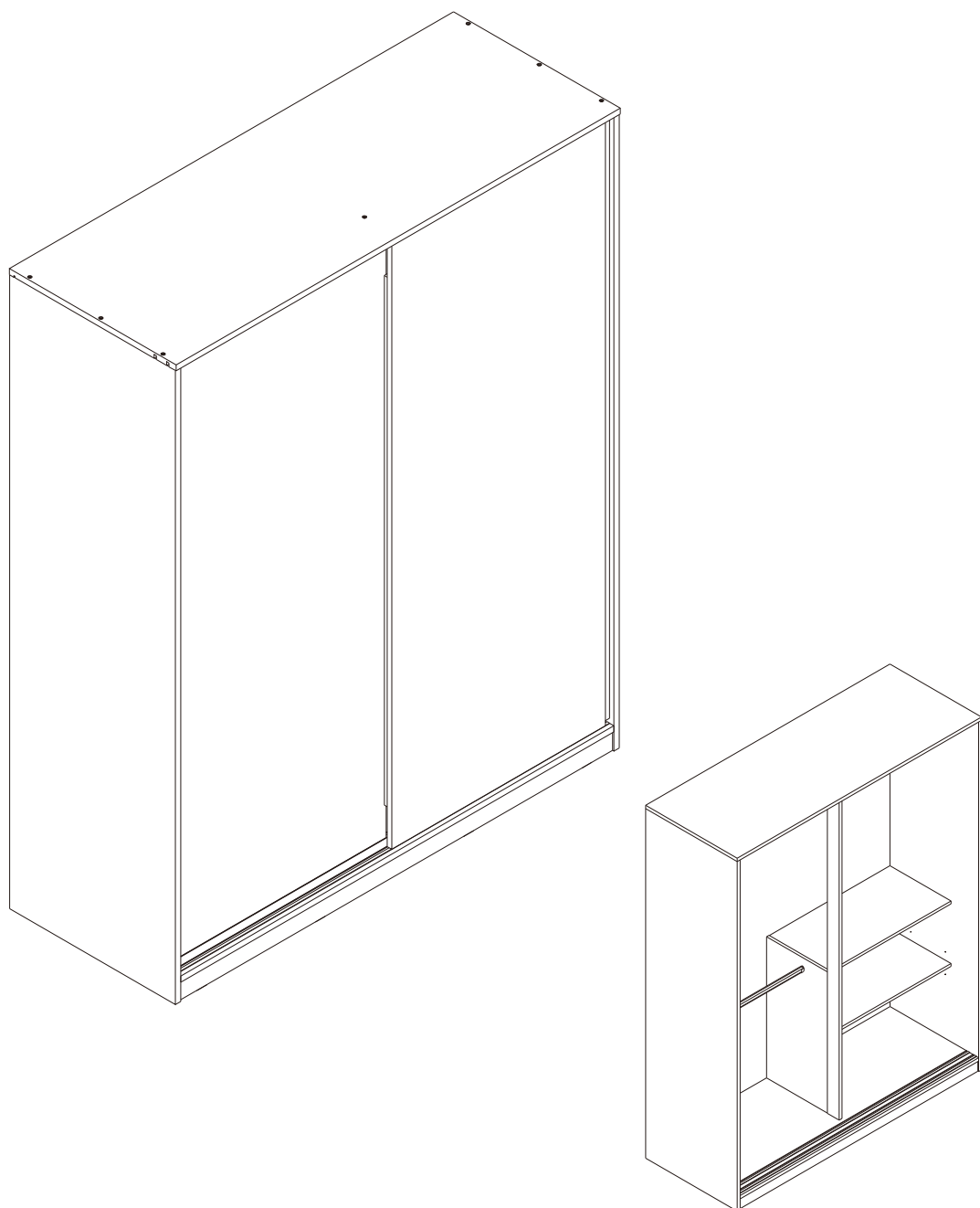


# H-VENISE-P

Wardrobe sliding 160 cm.



# CONNECT SYSTEM

**1**

**3**

**2**

(Connecting bolts)

WHEN FITTING CAMS  
ENSURE STARTING POSITION IS CORRECT  
BEFORE YOU INSERT CONNECTING BOLT  
TURN CLOCKWISE UNTIL SECURE

✓

↑

**CORRECT**

✗

↓

**WRONG**

1 Pc.  $\leq 190\text{mm}$

2 Pcs.  $\geq 191-850\text{mm}$

3 Pcs.  $> 850-2000\text{mm}$

4 Pcs.  $> 2001\text{mm}$

M4x16mm.

**OUT**

**IN**

**i**

40mm.

☹

☒

EQ

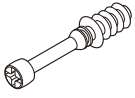
☺

☑

M3.5x20mm.

# HARDWARE

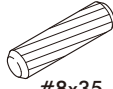
## -BODY SET



**x 13**

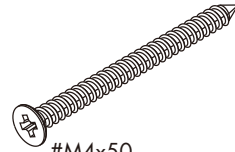


**x 13**



#8x35

**x 26**



#M4x50

**x 10**



#M3.5x20

**x 4**



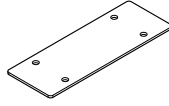
#M4x16

**x 94**

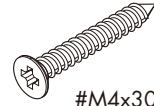


#M4x16

**x 28**



**x 2**

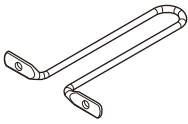


#M4x30

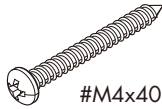
**x 30**



**x 4**

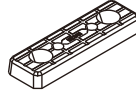


**x 1**

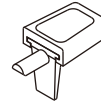


#M4x40

**x 6**



**x 13**

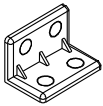


**x 4**

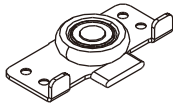


#M3.5x13

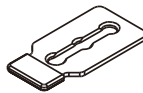
**x 8**



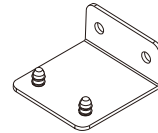
**x 11**



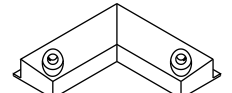
**x 4**



**x 4**



**x 2**

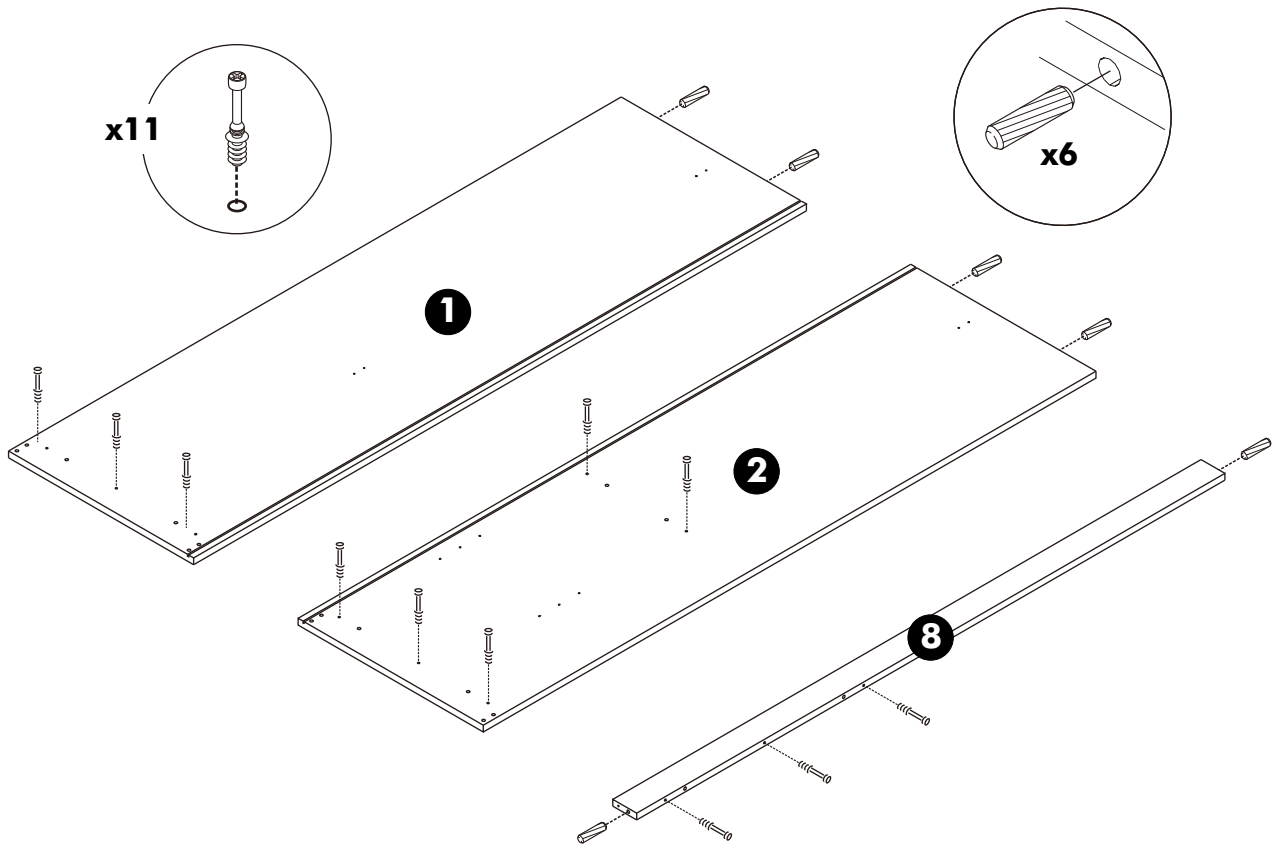


**x 2**

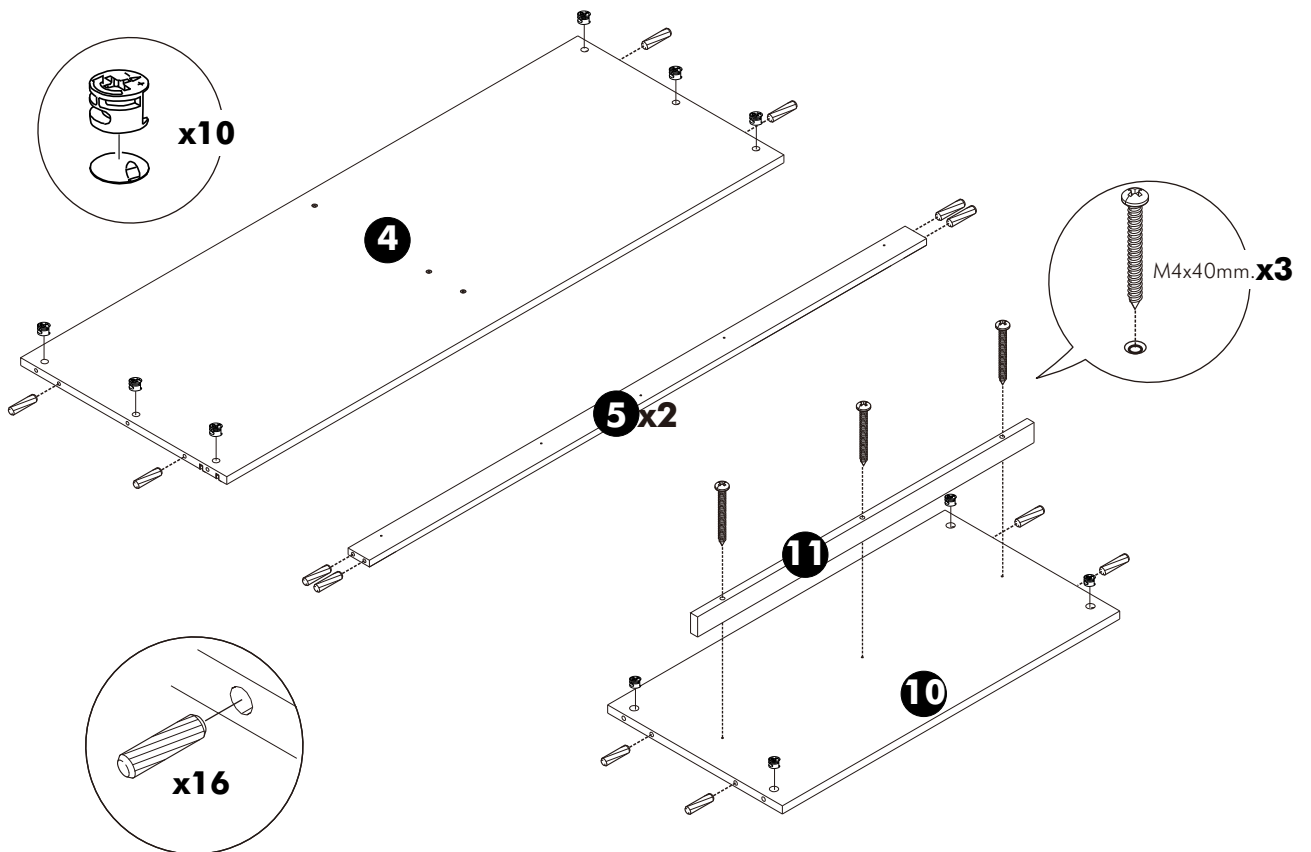
# ASSEMBLY

-BODY SET

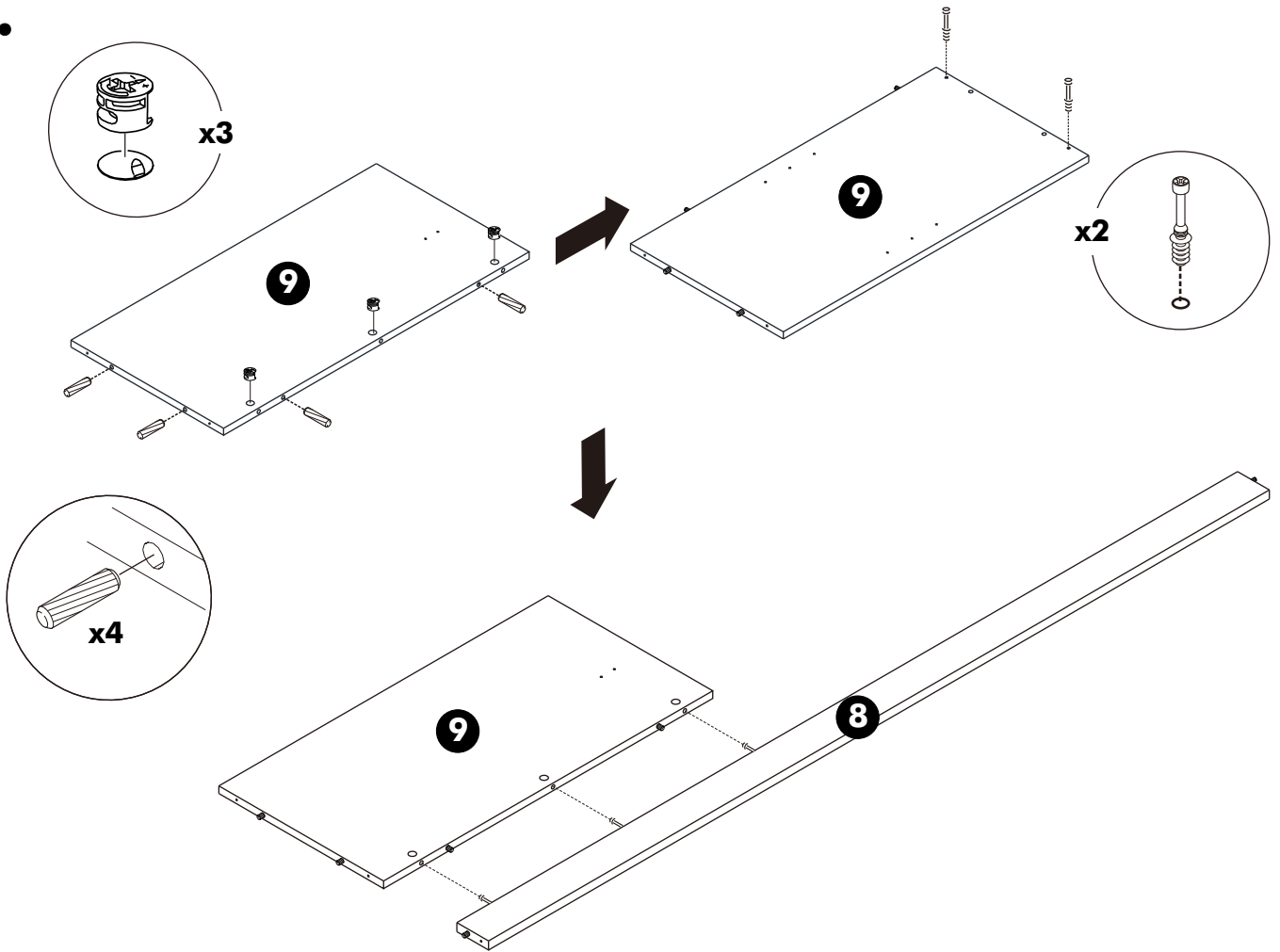
## 1.



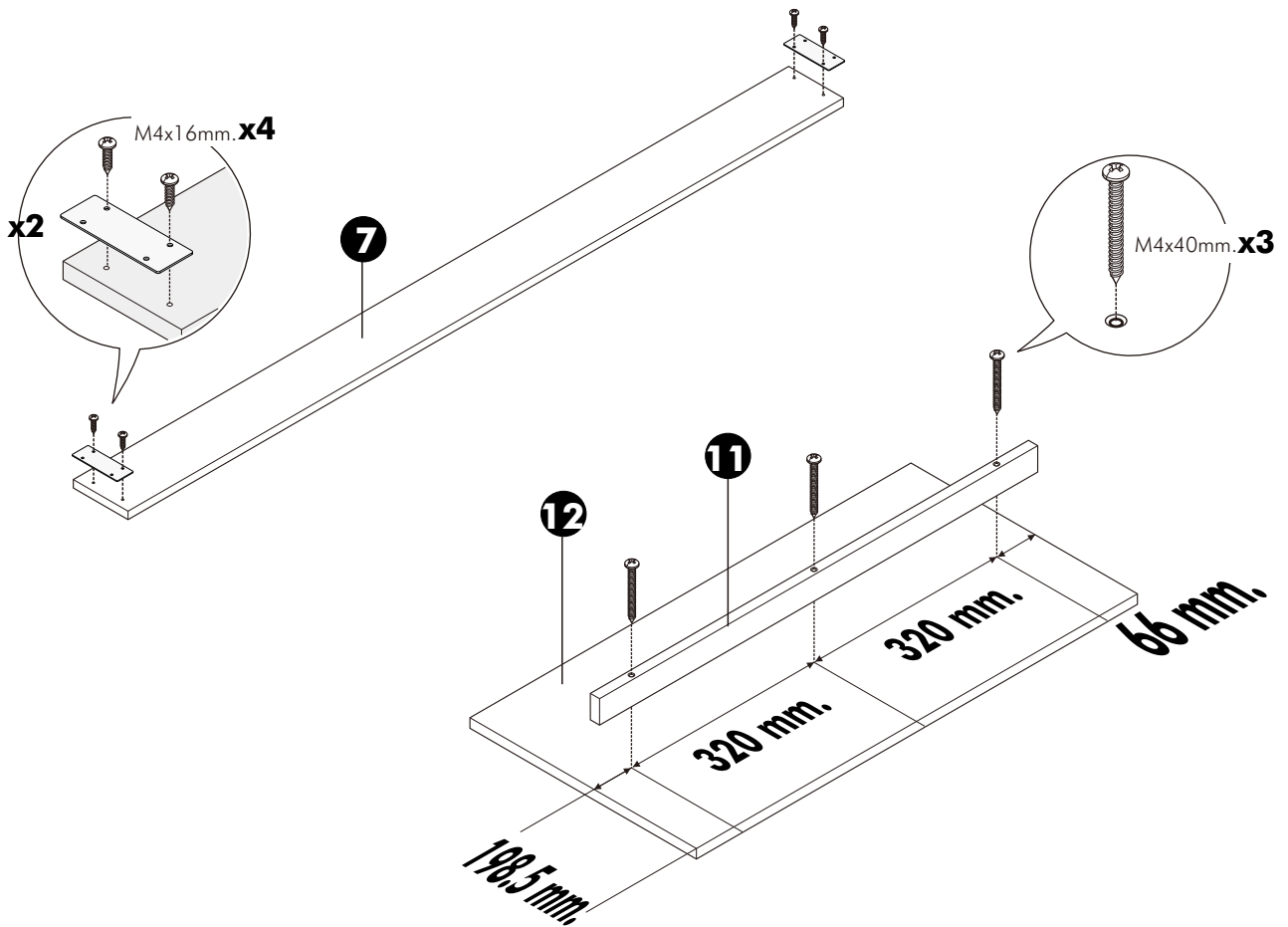
## 2.



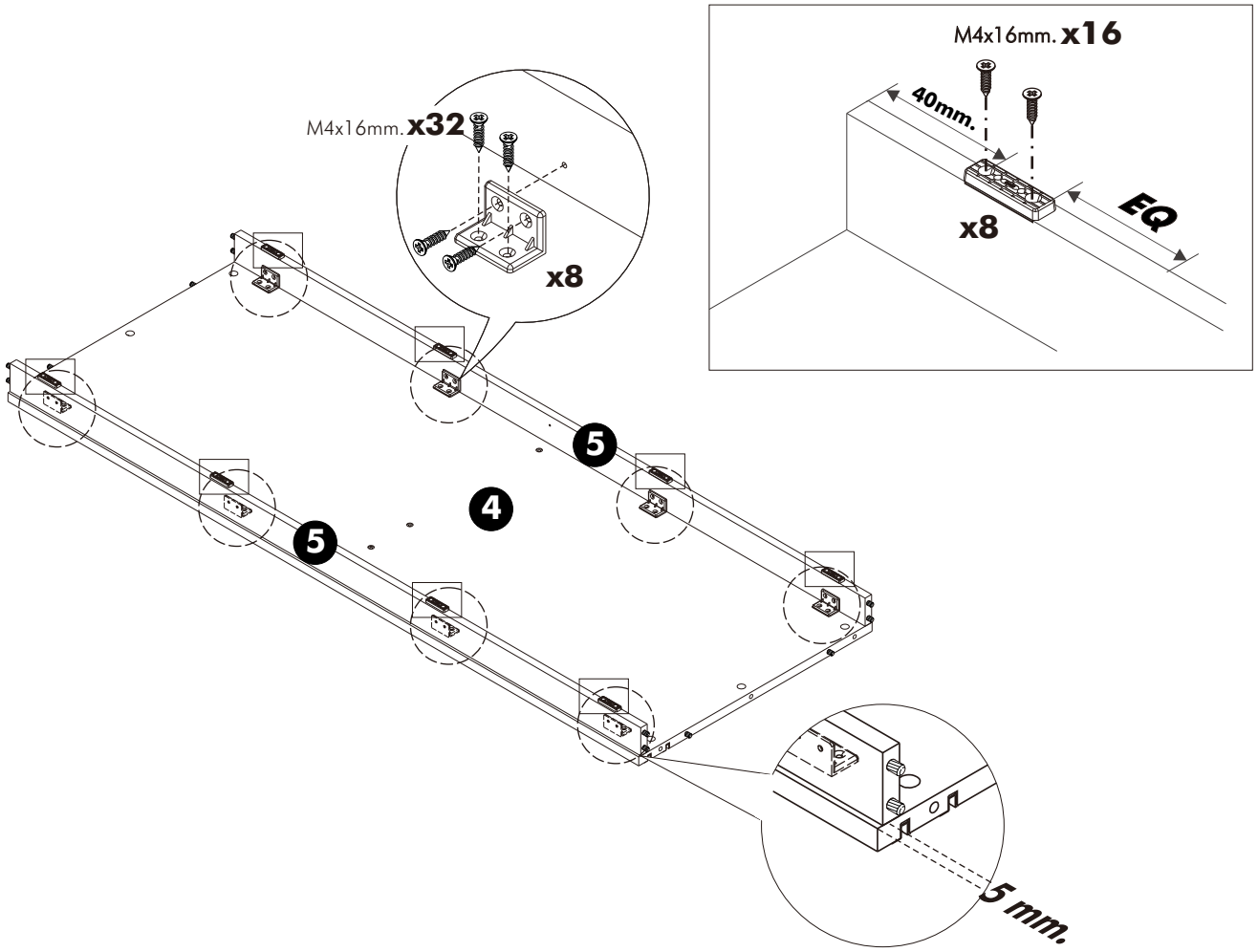
**3.**



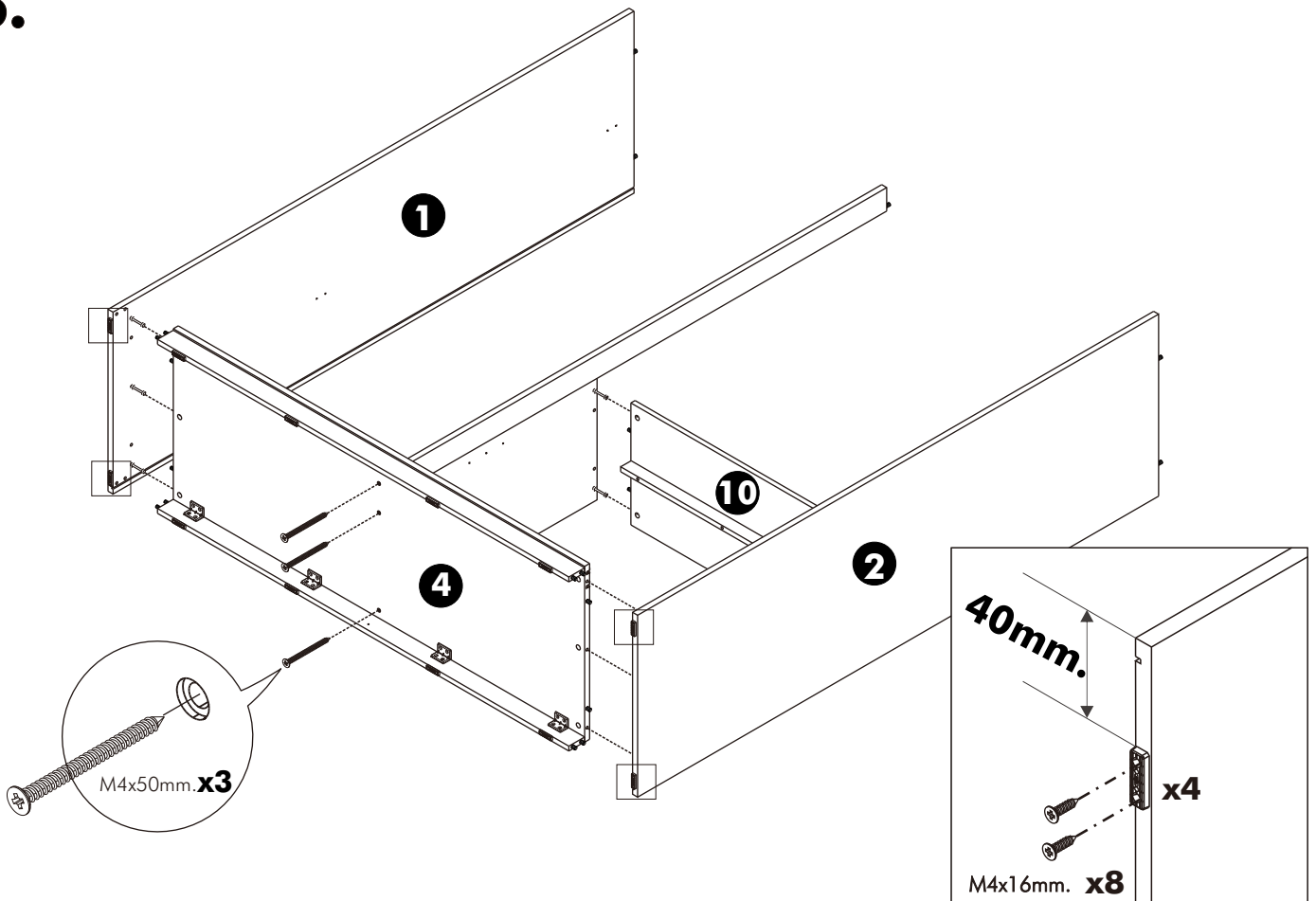
**4.**



5.

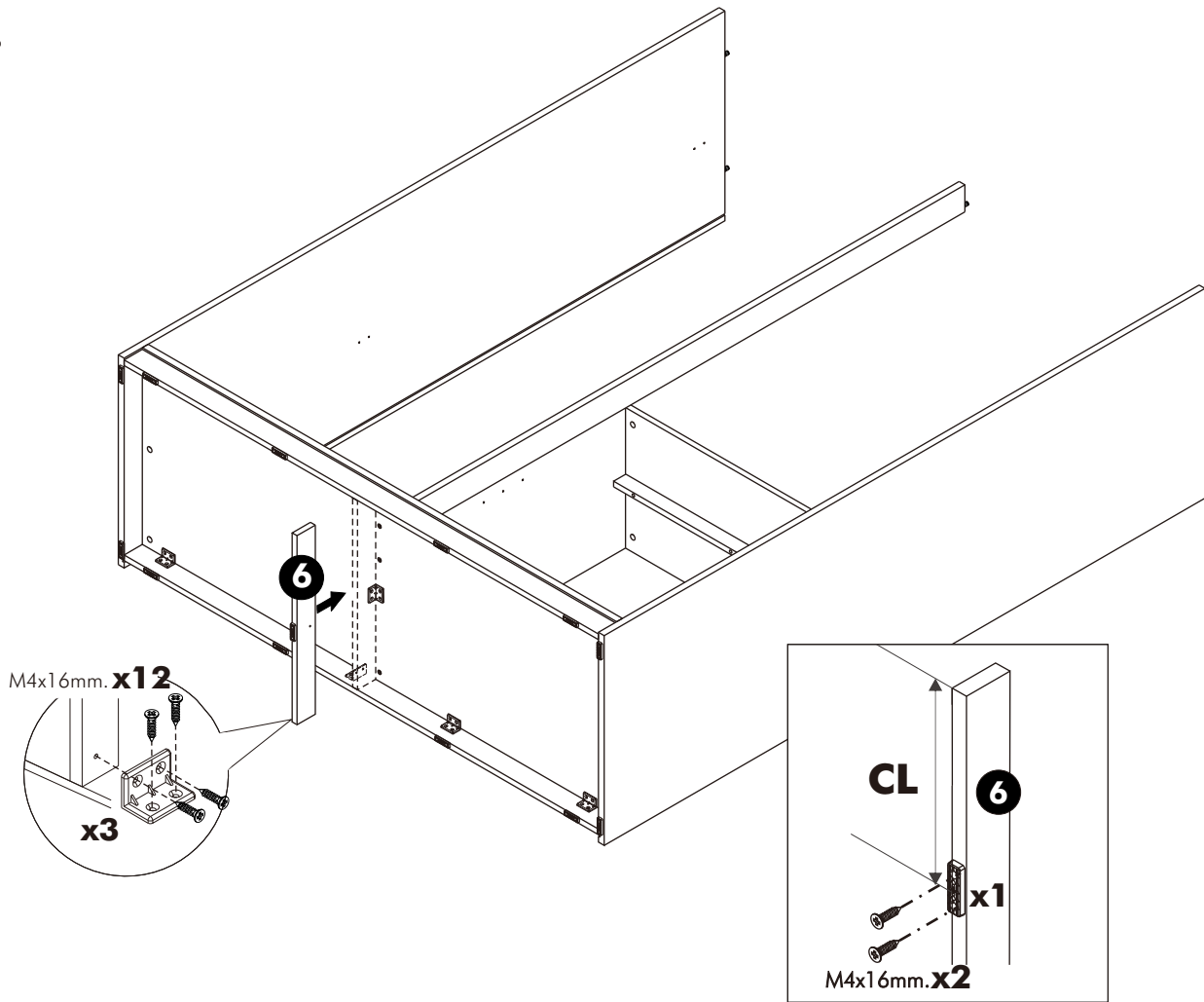


6.

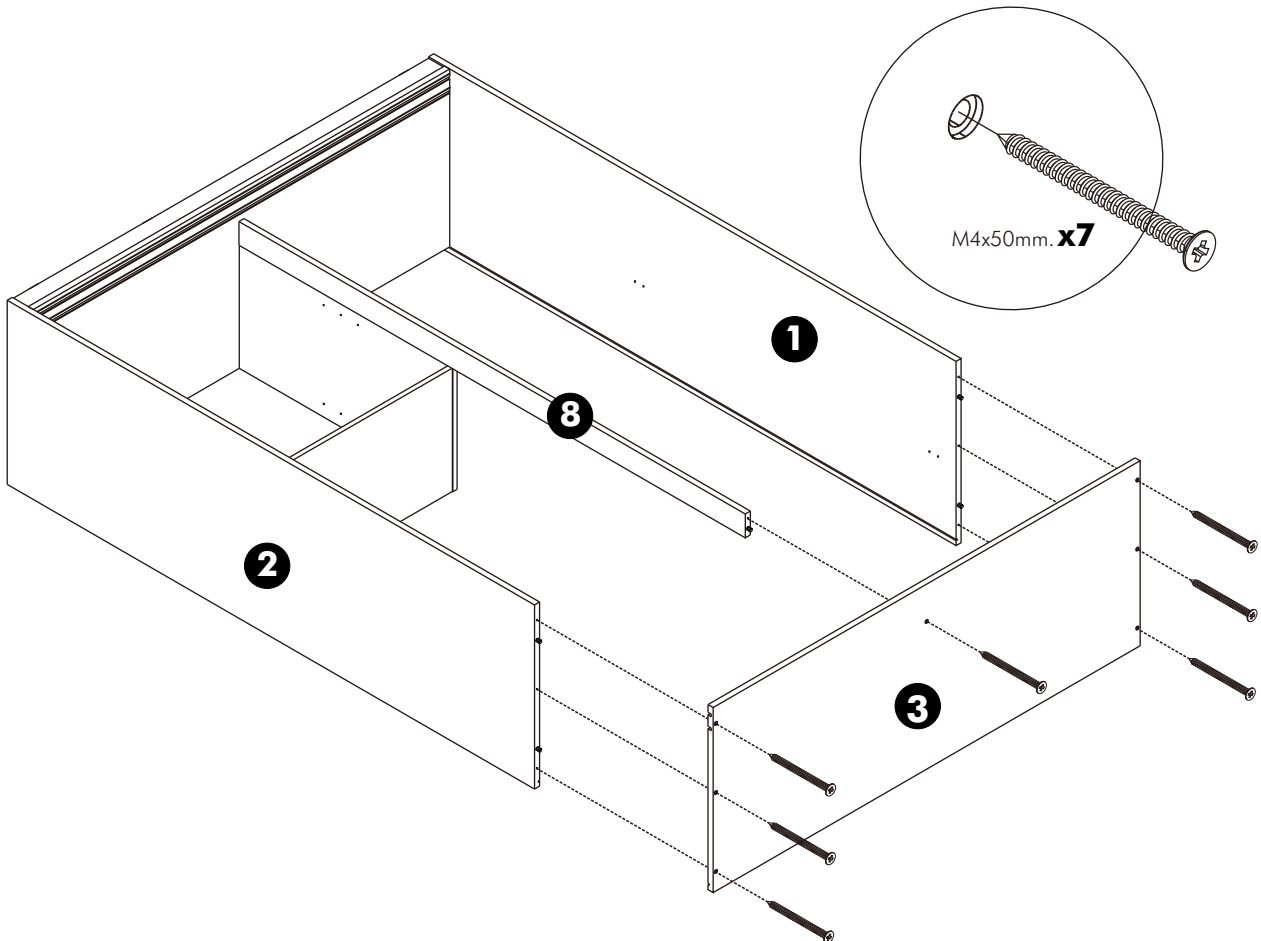


6

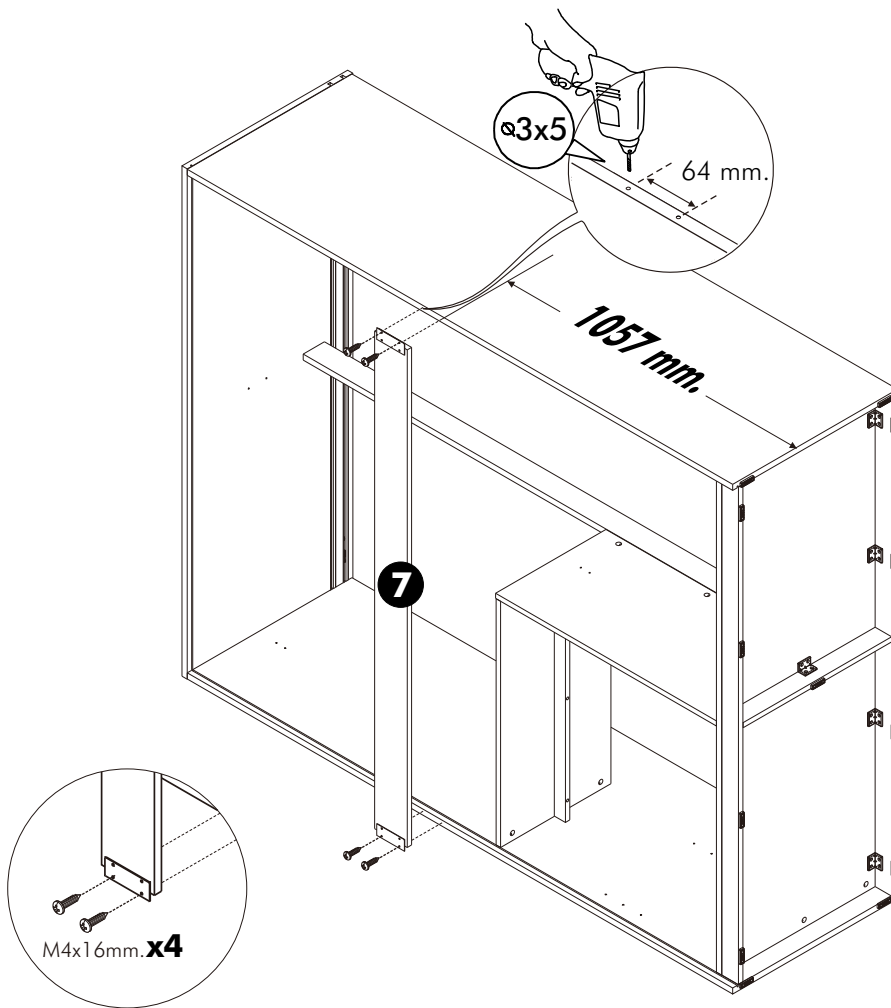
**7.**



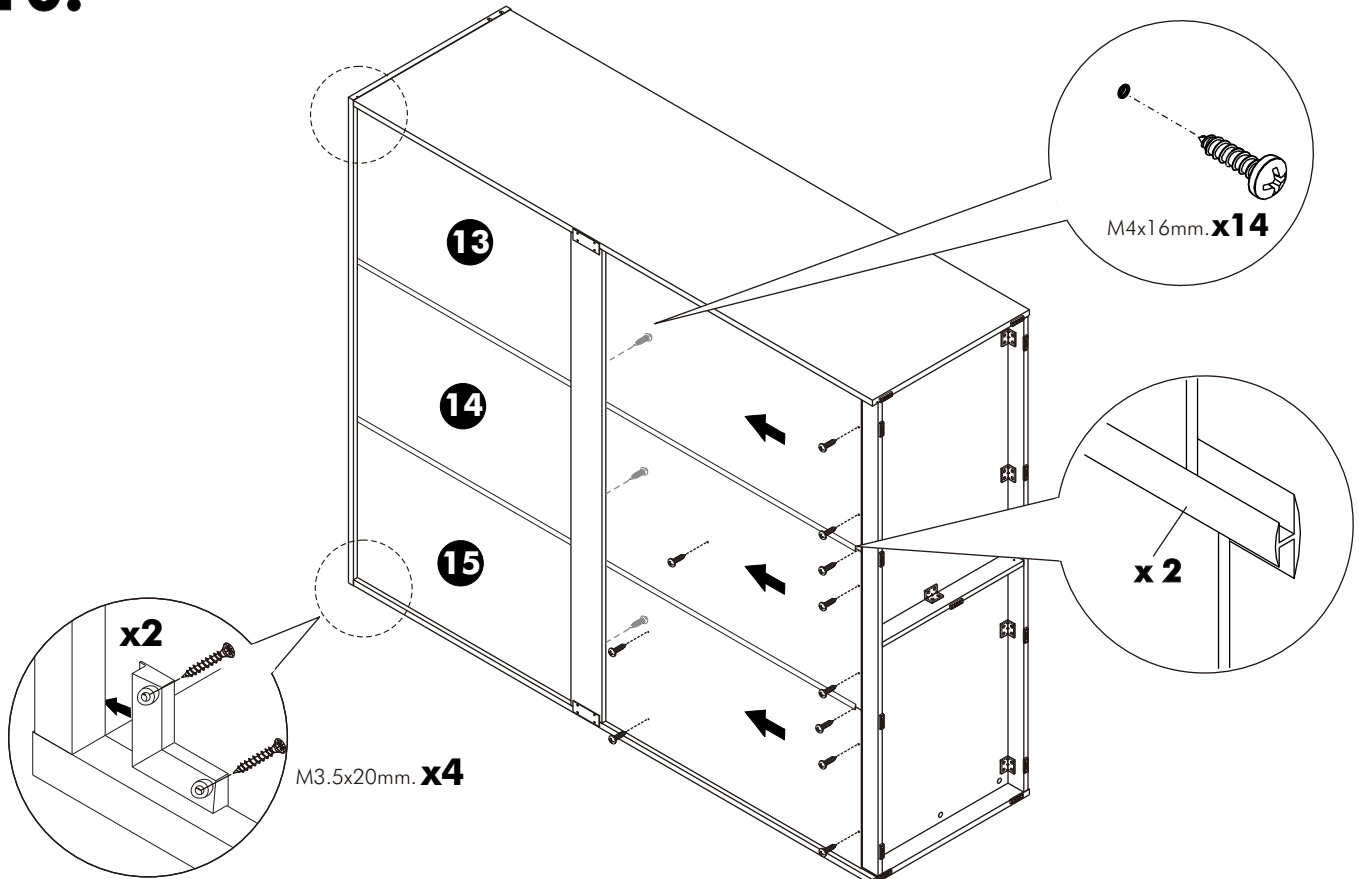
**8.**



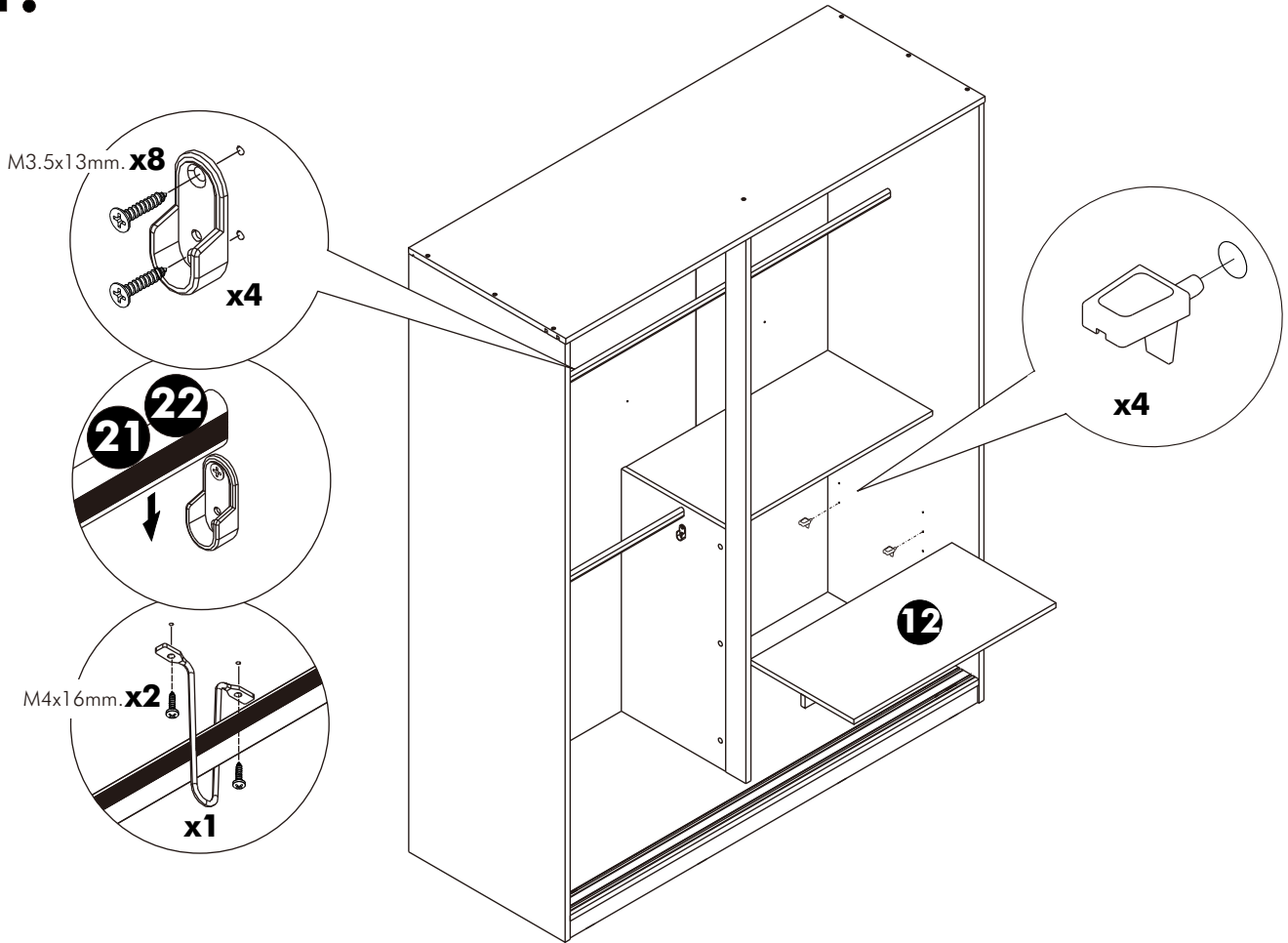
9.



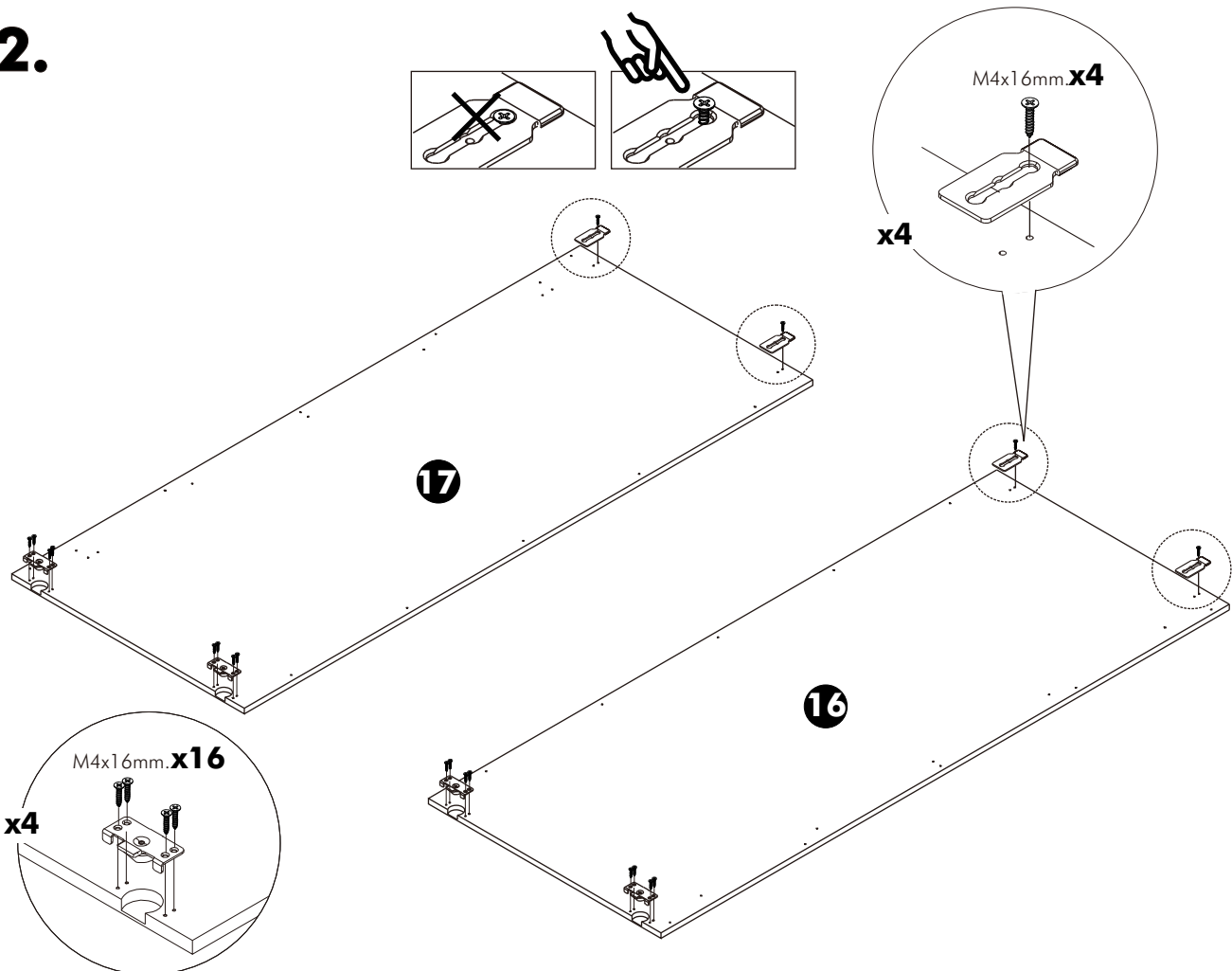
10.



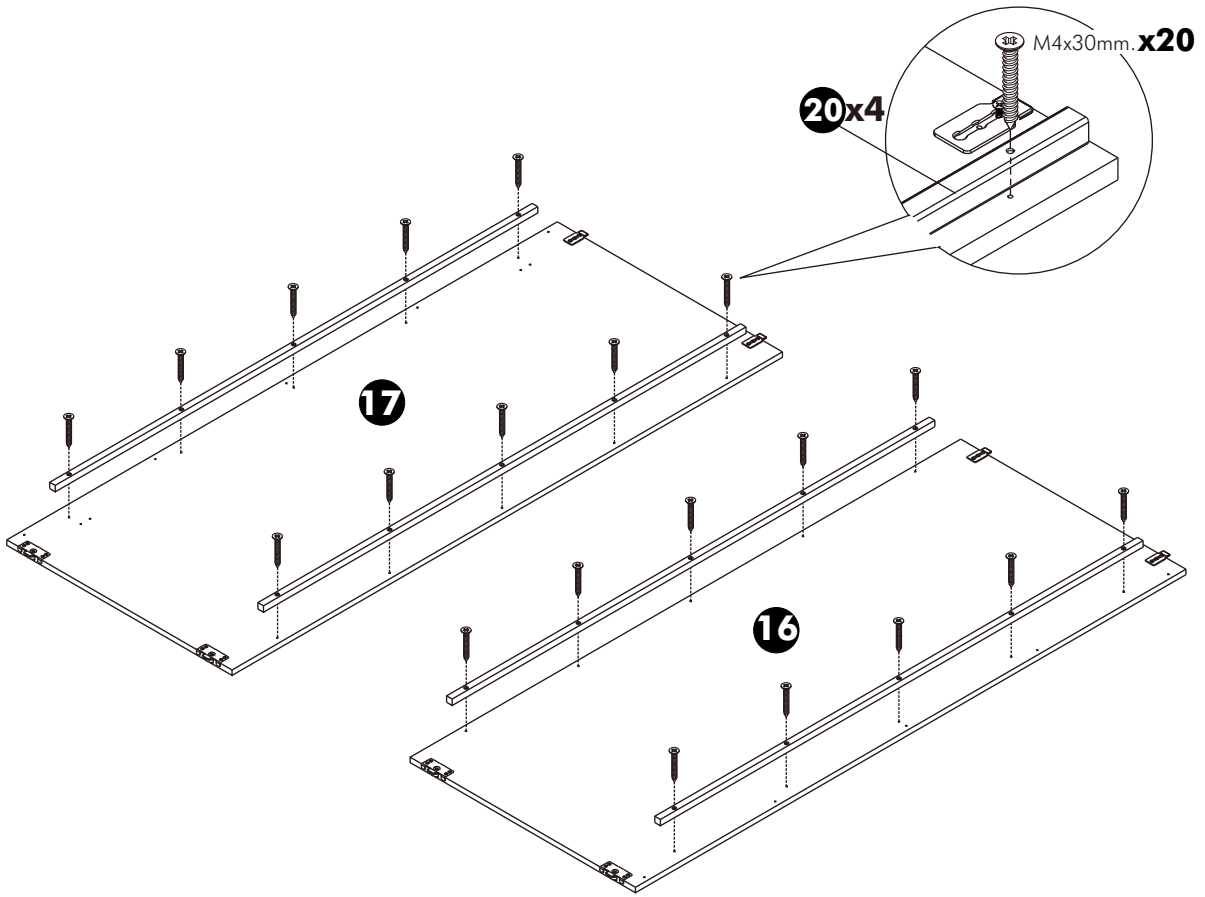
# 11.



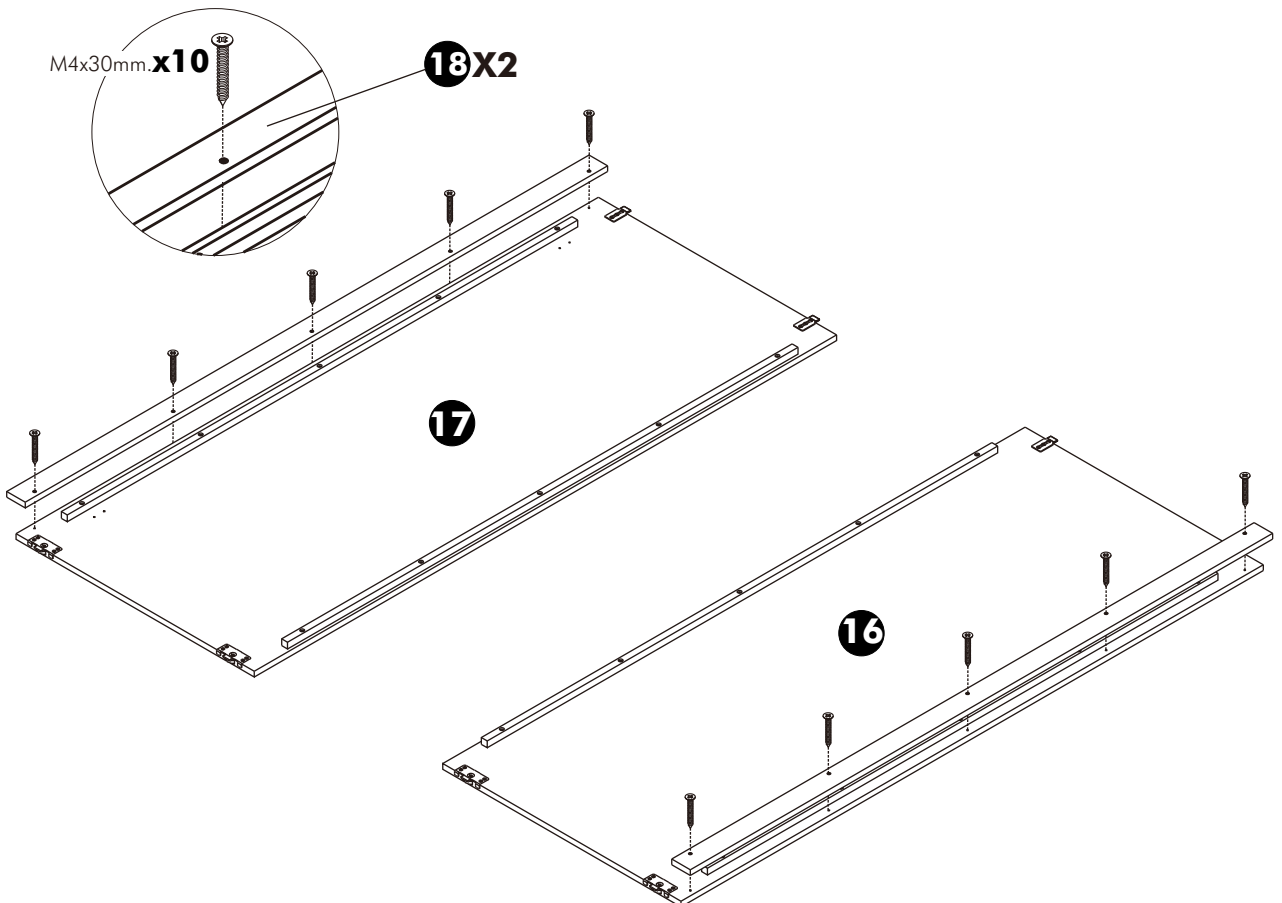
# 12.



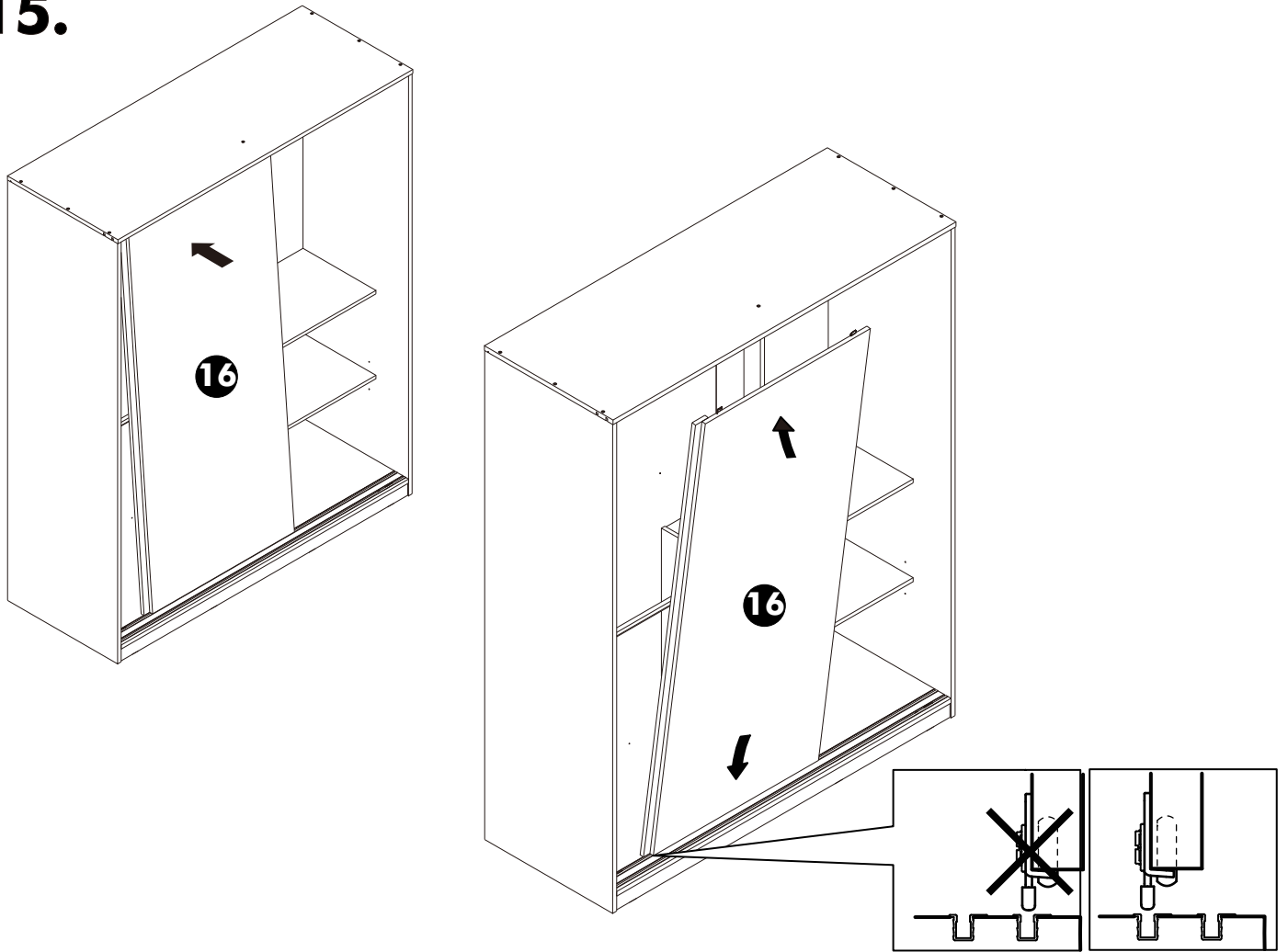
# 13.



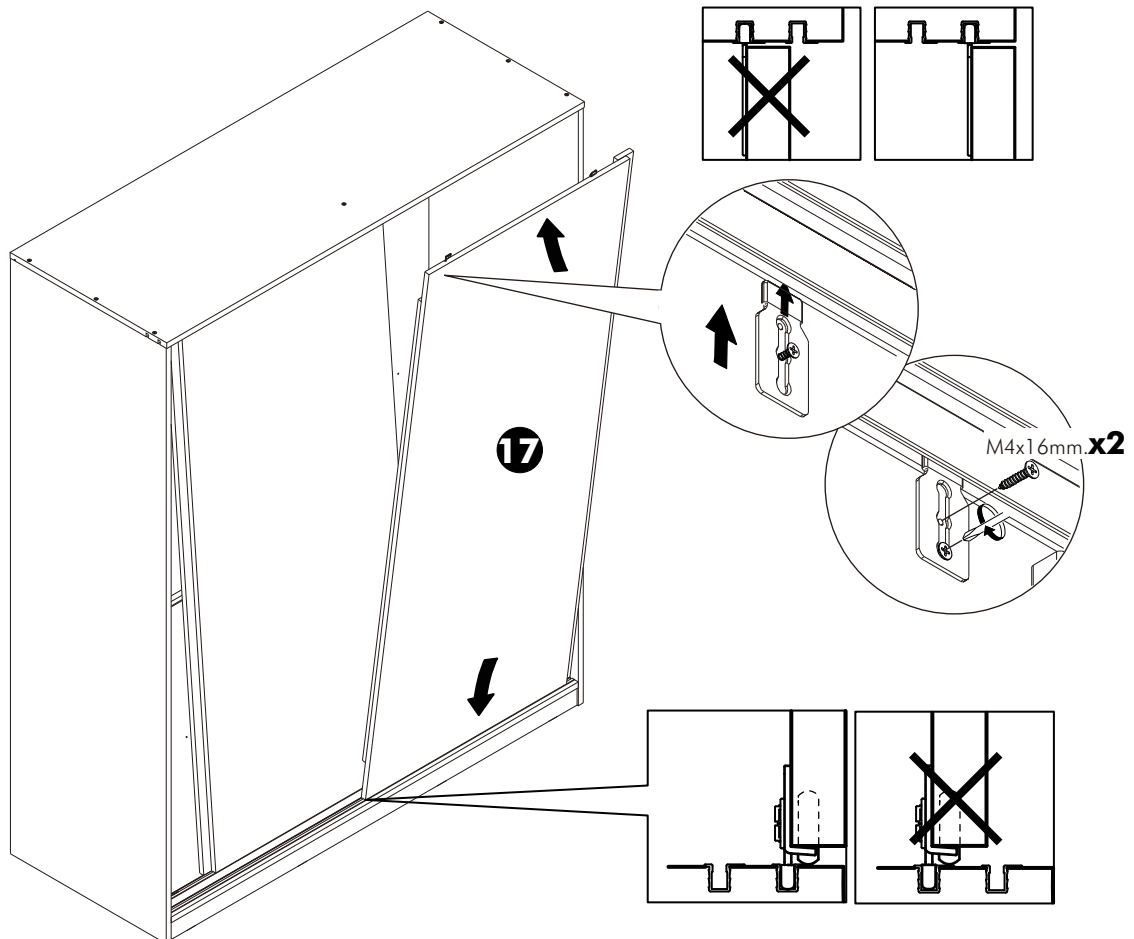
# 14.



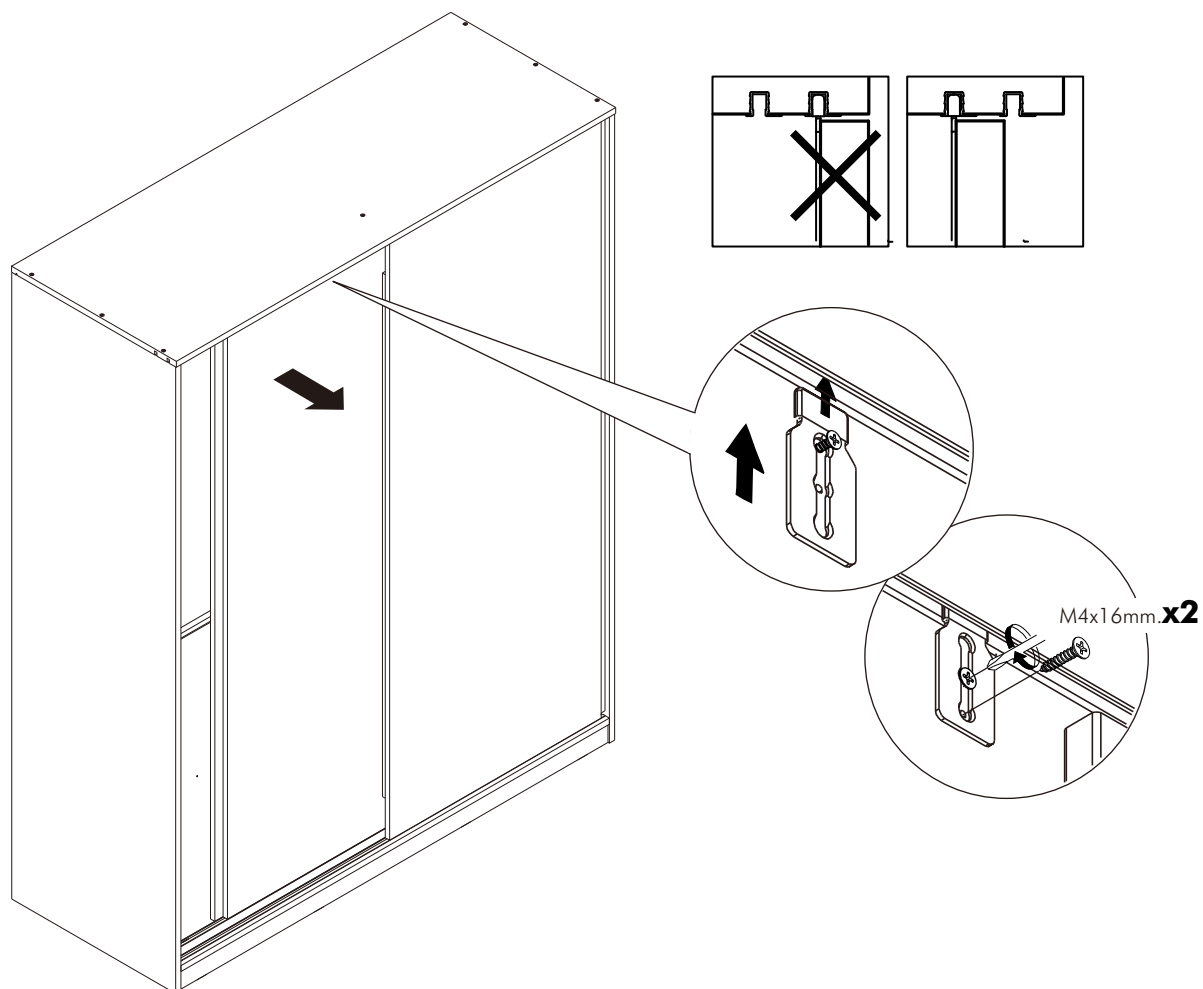
**15.**



**16.**



**17.**



**18.**

