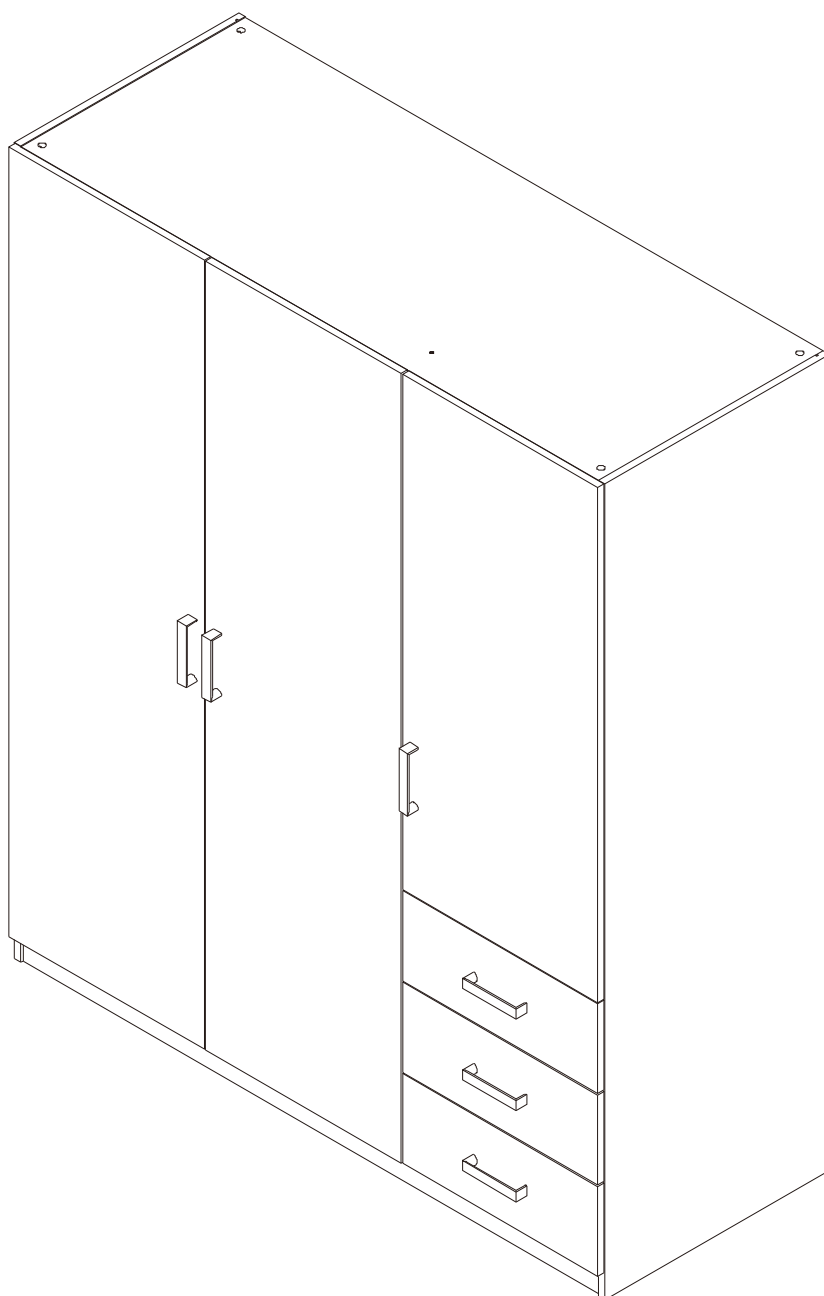
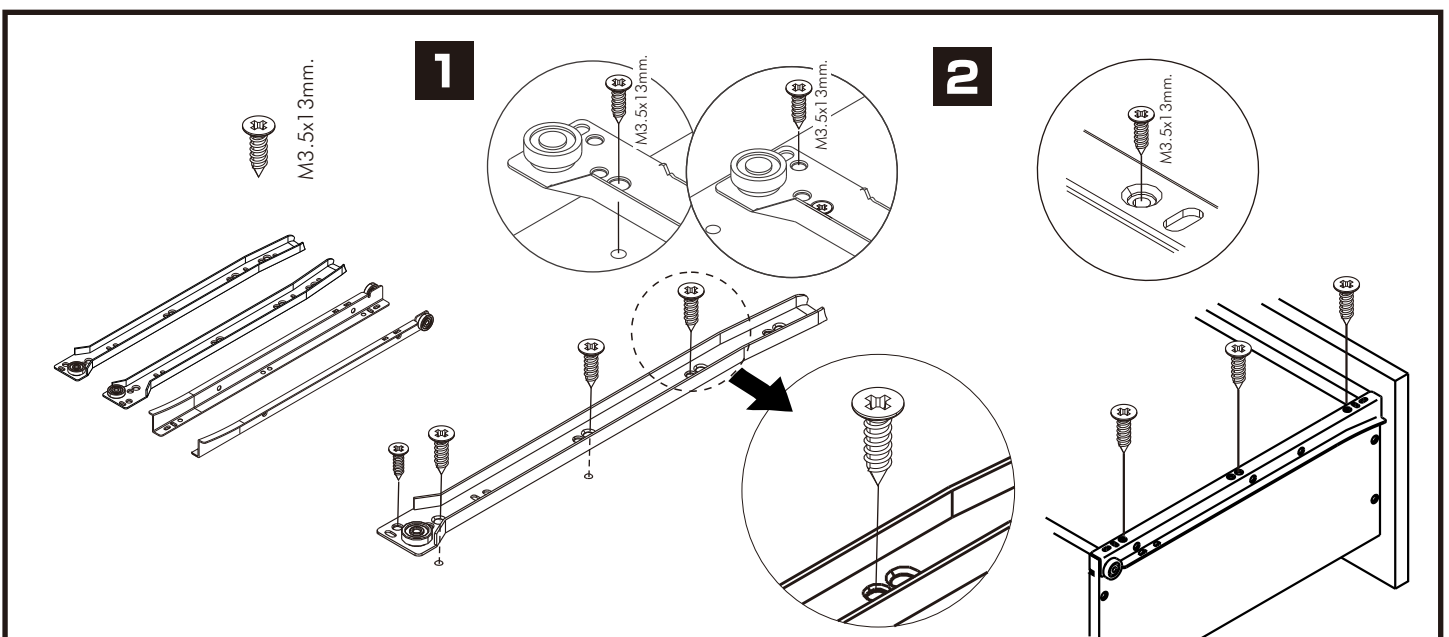
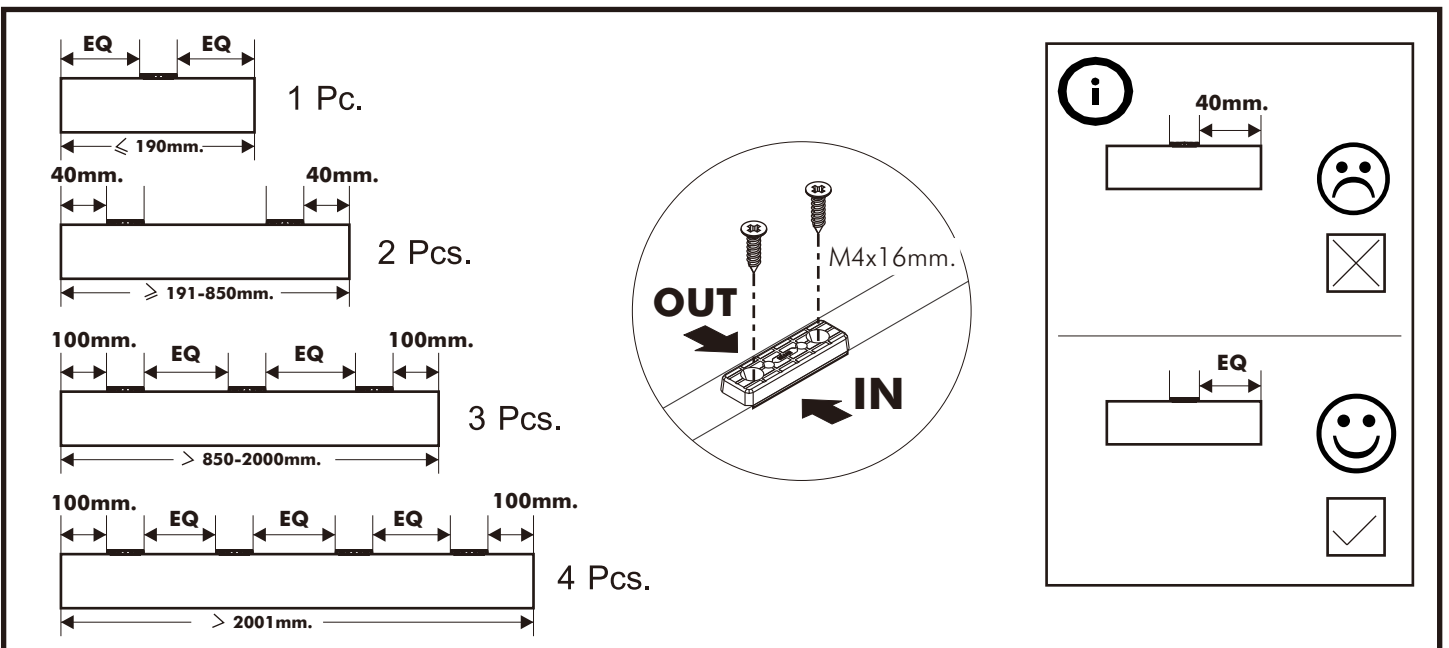
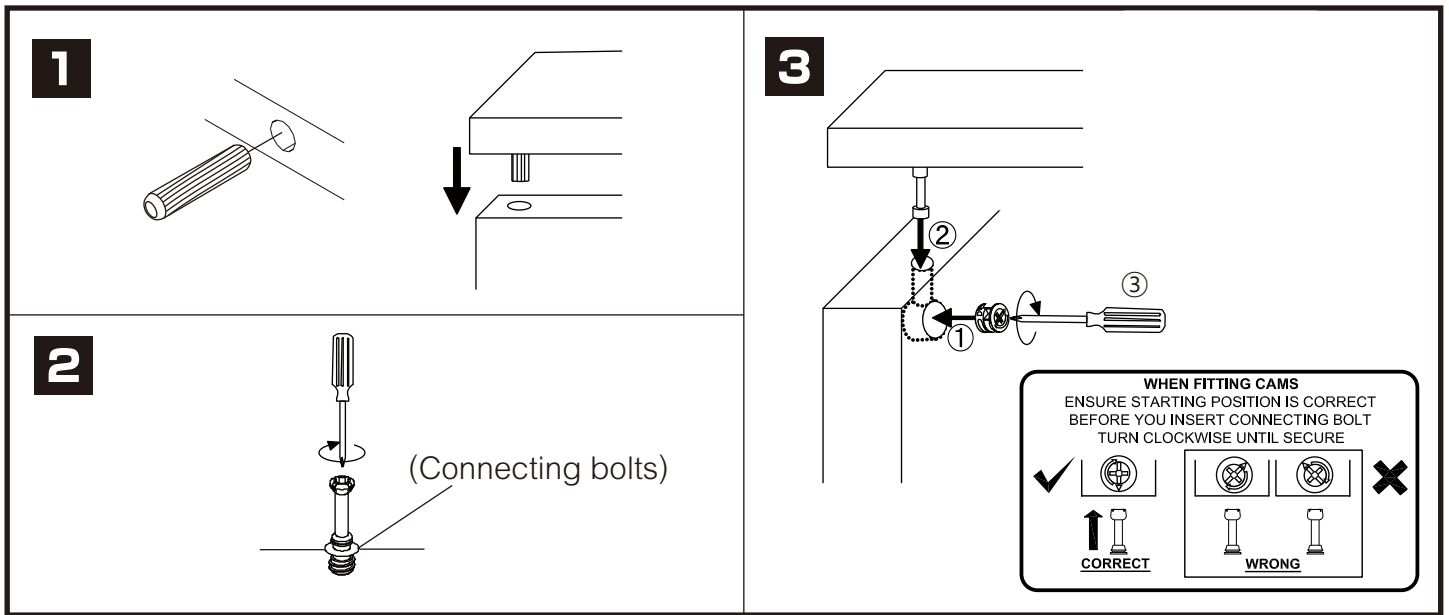


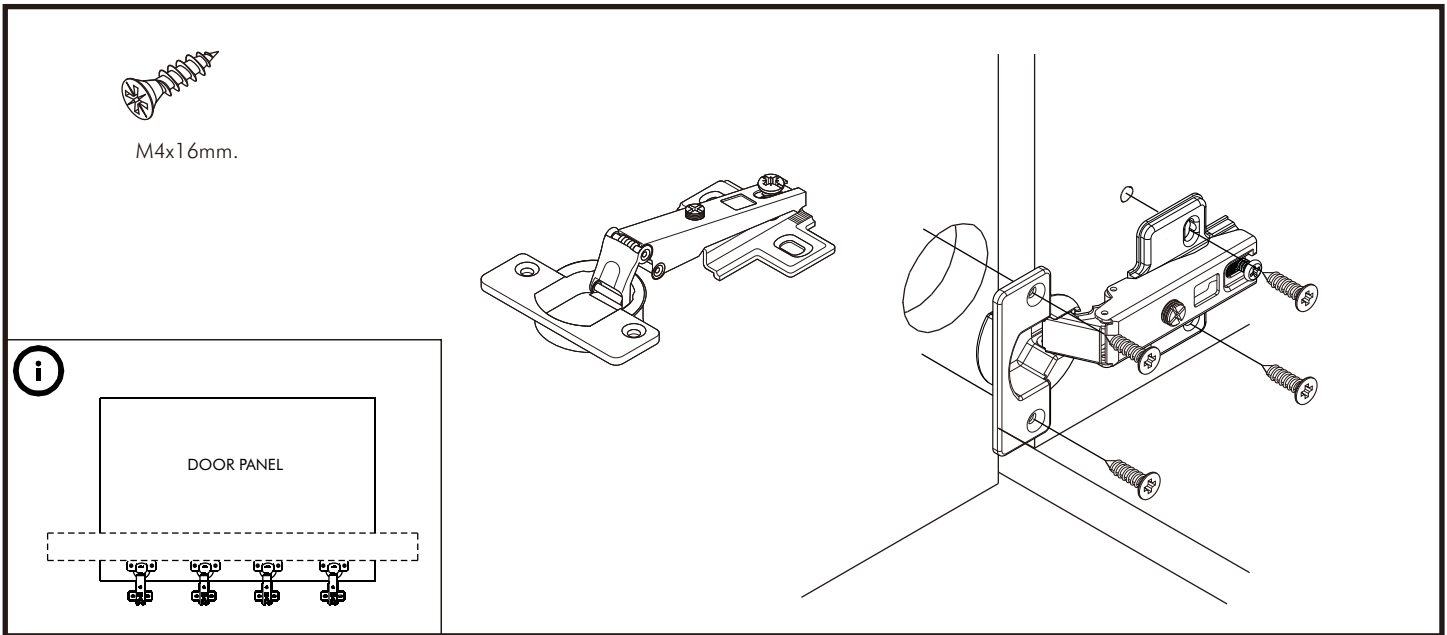
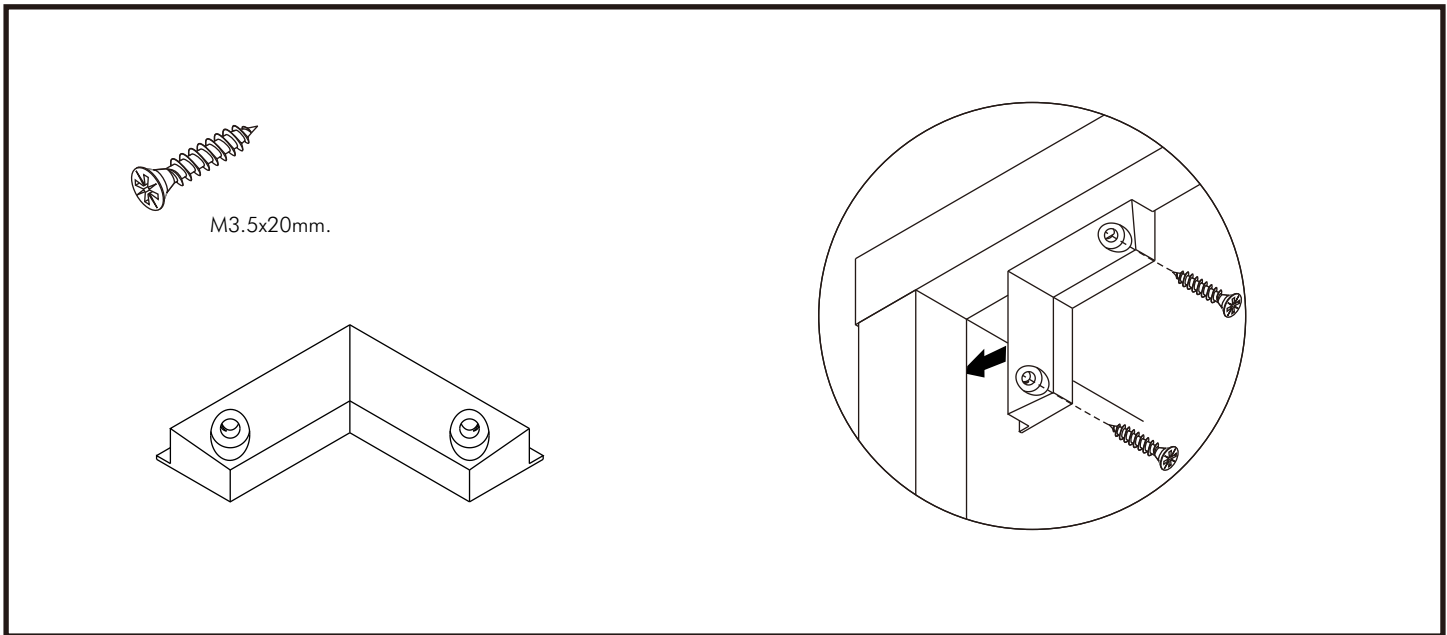
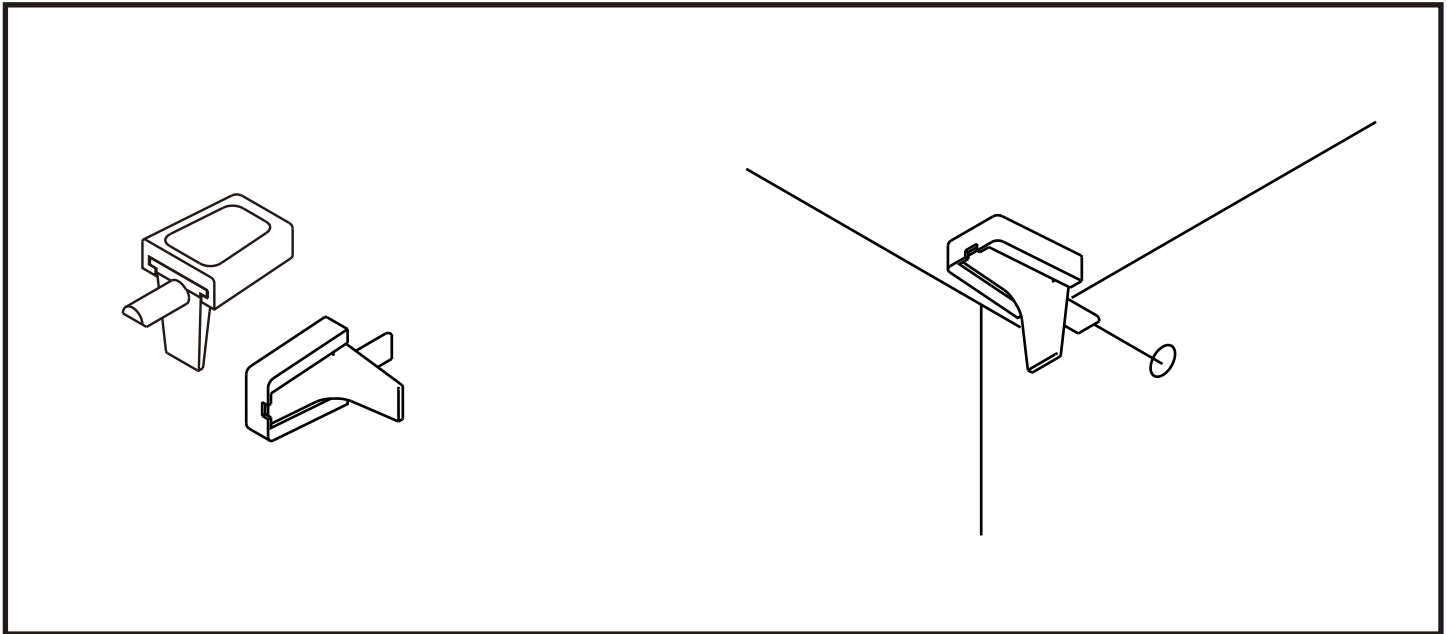
# H-VINCE-P

Wardrobe 3 drs



# CONNECT SYSTEM





**x2**



**The Standard for identifying which mounted safety fall protection fitting to use** **Note : That children's products must be installed with all anti-falling fittings.**

■ Mounted fall protection fittings



■ Category : Cabinet with open doors



■ Category : Chest of drawers

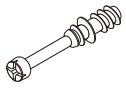


■ Category : Sliding door cabinet / Open cabinet



# HARDWARE

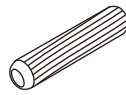
## -BODY SET



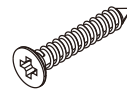
**x 12**



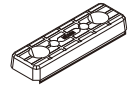
**x 12**



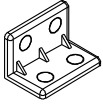
**x 18**



M4x30mm.  
**x 2**



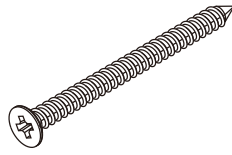
**x 10**



**x 11**



M4x16mm.  
**x 64**



M4x50mm.  
**x 7**



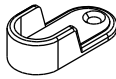
M3.5x13mm.  
**x 4**



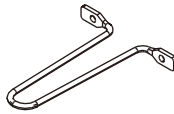
**x 4**



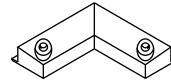
M4x16mm.  
**x 26**



**x 2**



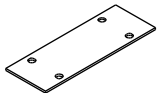
**x 1**



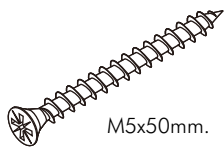
**x 2**



M3.5x20mm.  
**x 4**



**x 2**



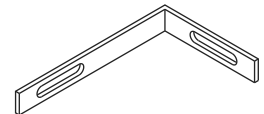
M5x50mm.  
**x 2**



M4x16mm.  
**x 2**

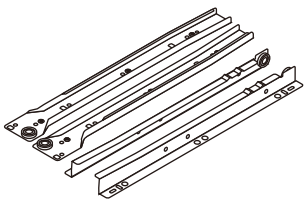


**x 2**



**x 2**

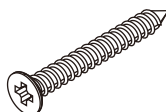
## -DRAWER SET



**x 3**



M3.5x13mm.  
**x 42**



M4x40mm.  
**x 30**



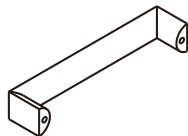
TFL4 M6x23  
**x 12**



**x 1**



**x 6**

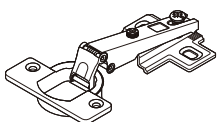


**x 3**



M4x25mm.  
**x 6**

## -DOOR SET



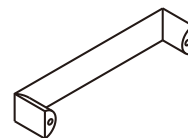
**x 8**



M4x16mm.  
**x 32**



**x 6**



**x 3**

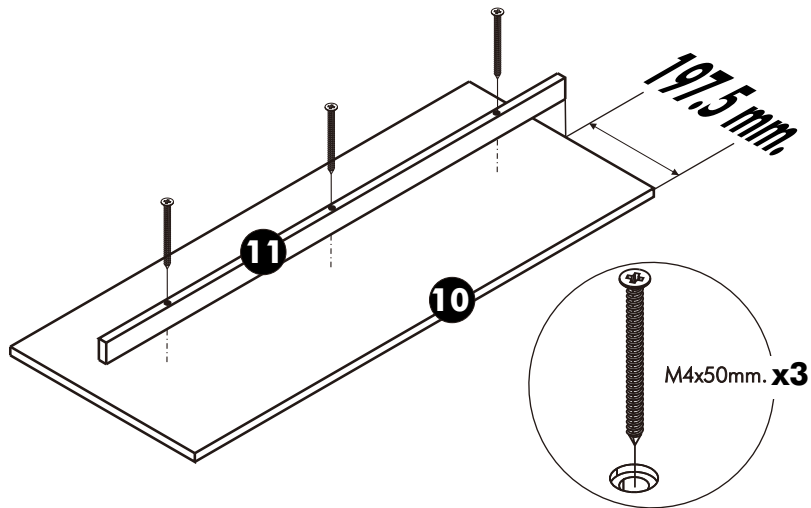


M4x25mm.  
**x 6**

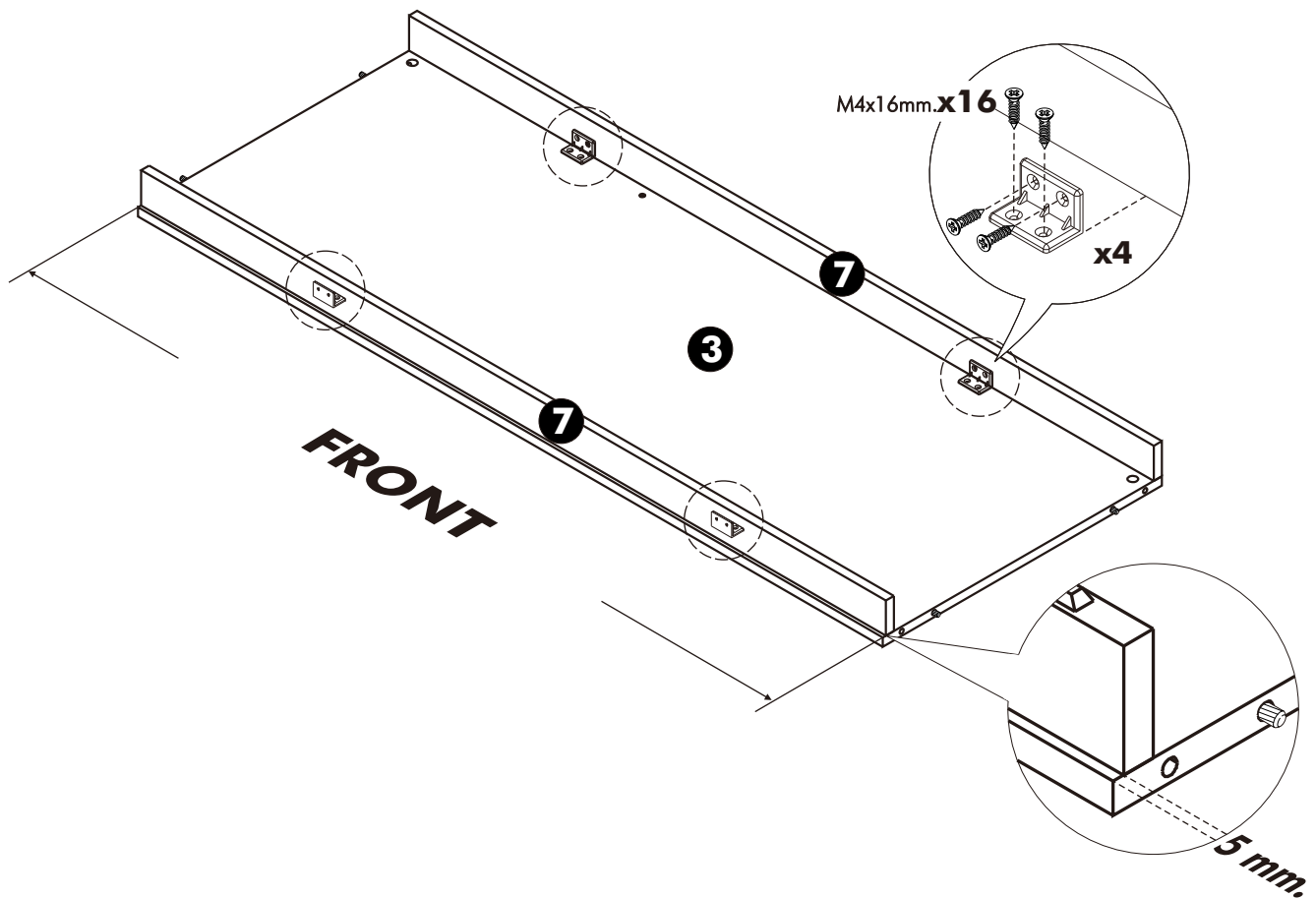
# ASSEMBLY

-BODY SET

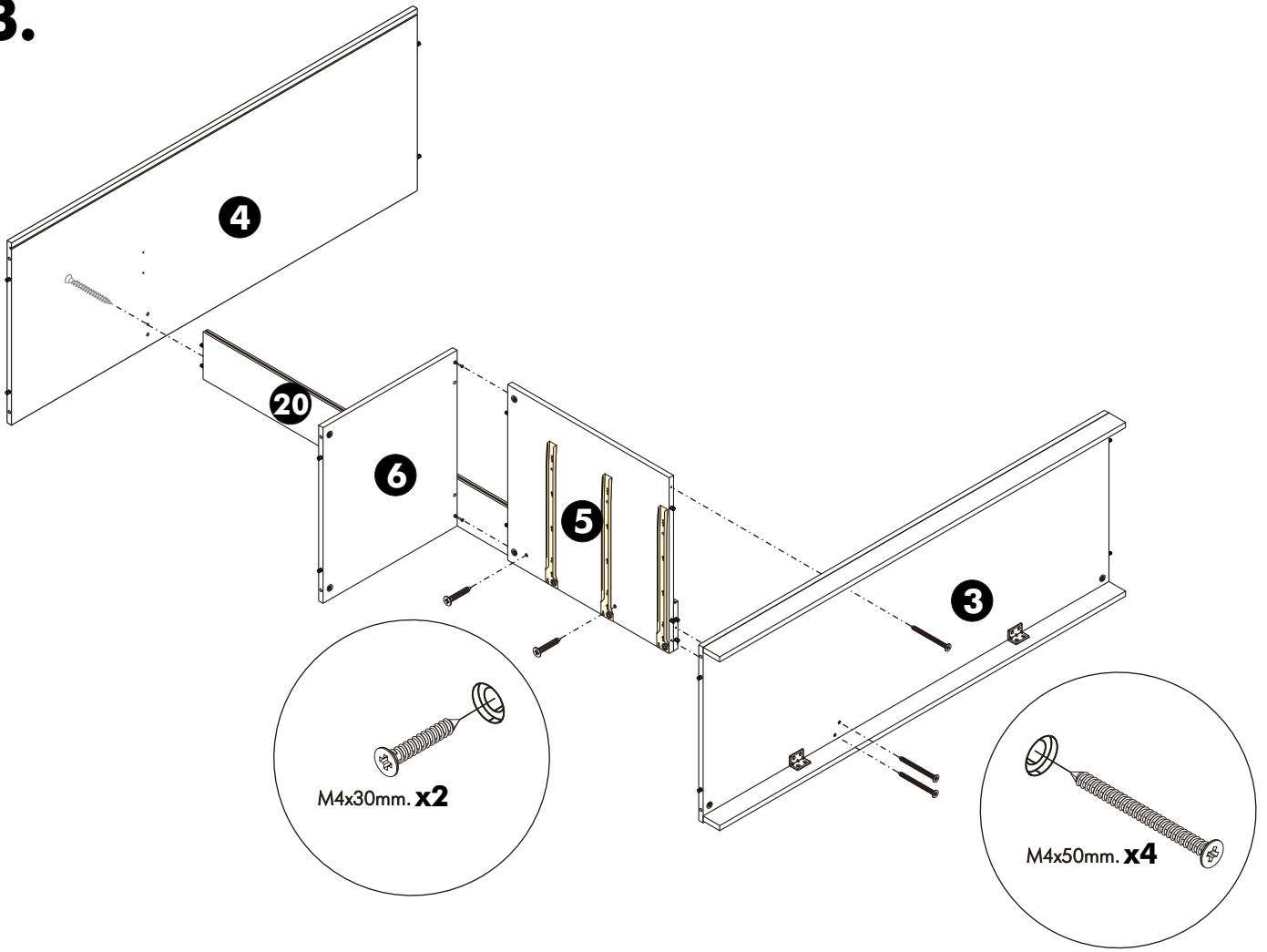
## 1.



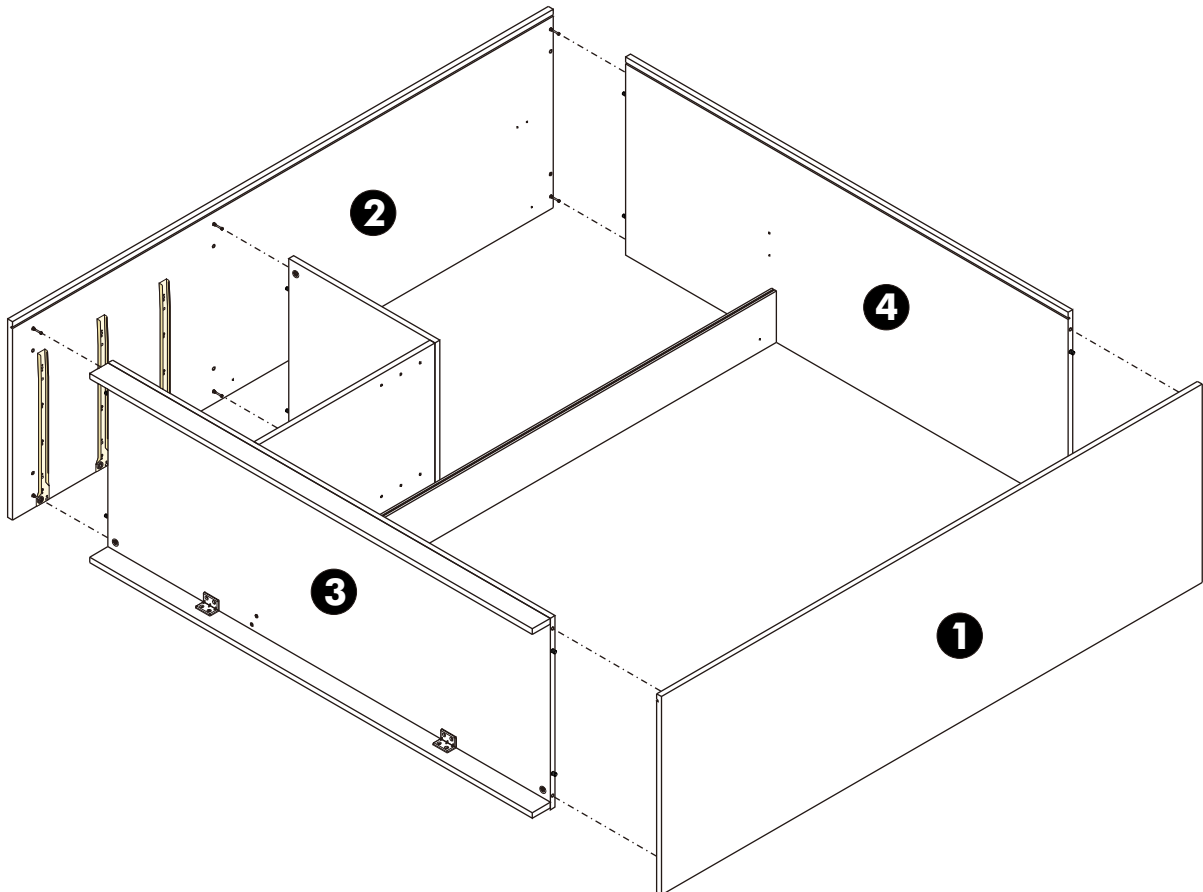
## 2.



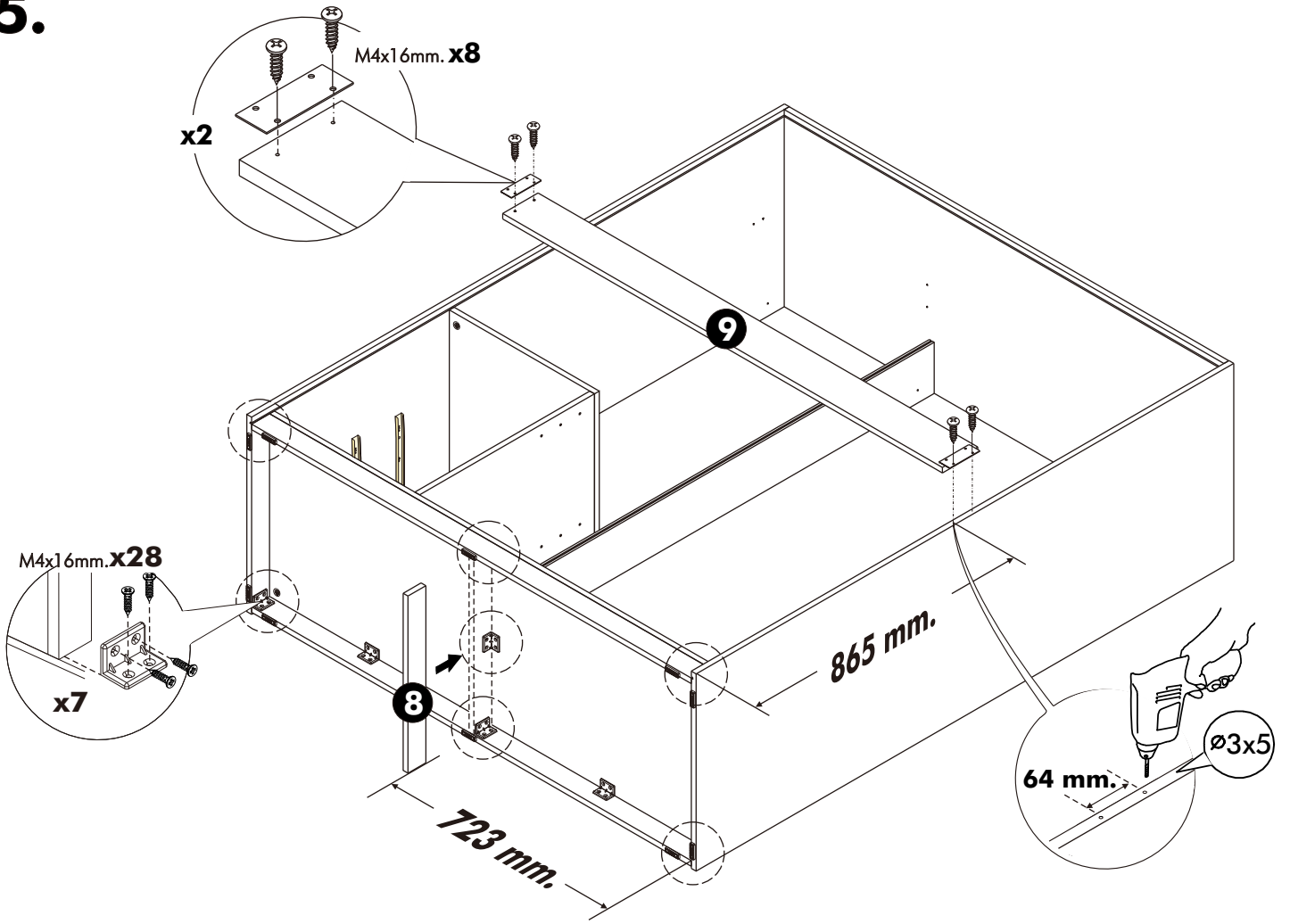
**3.**



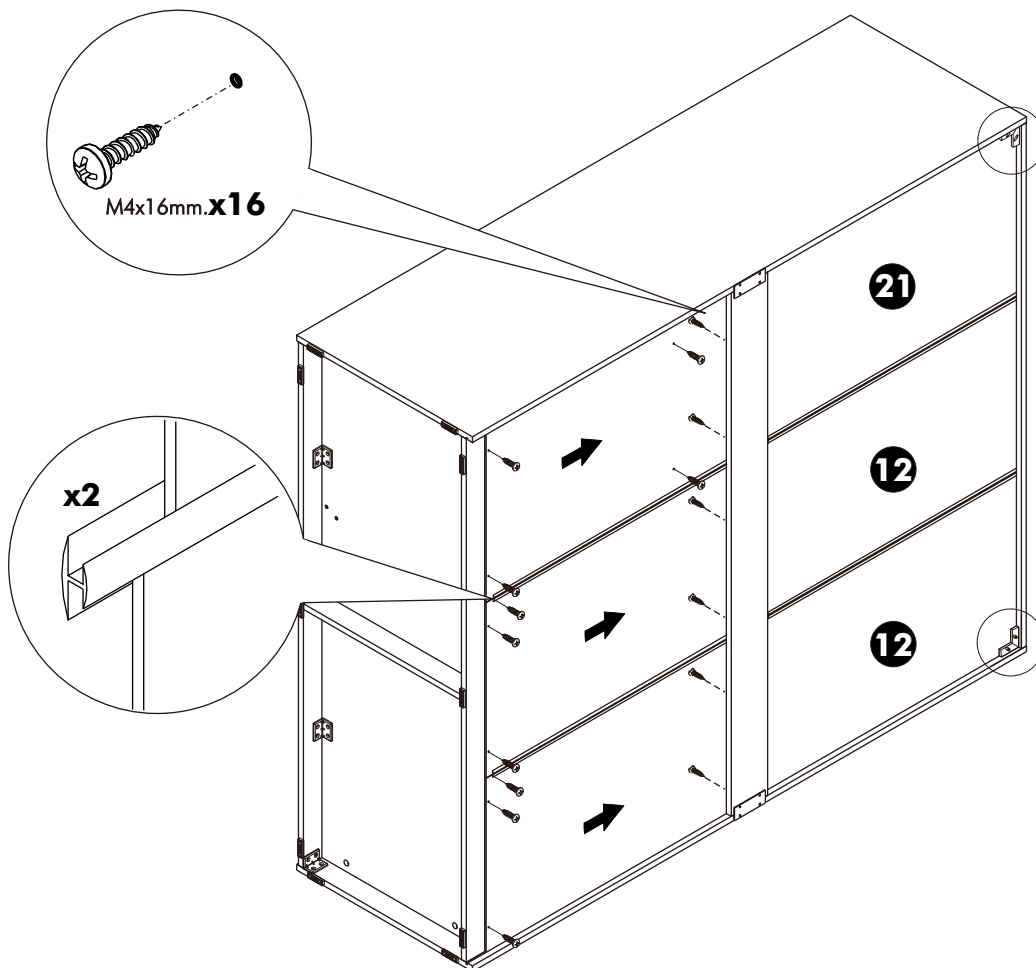
**4.**



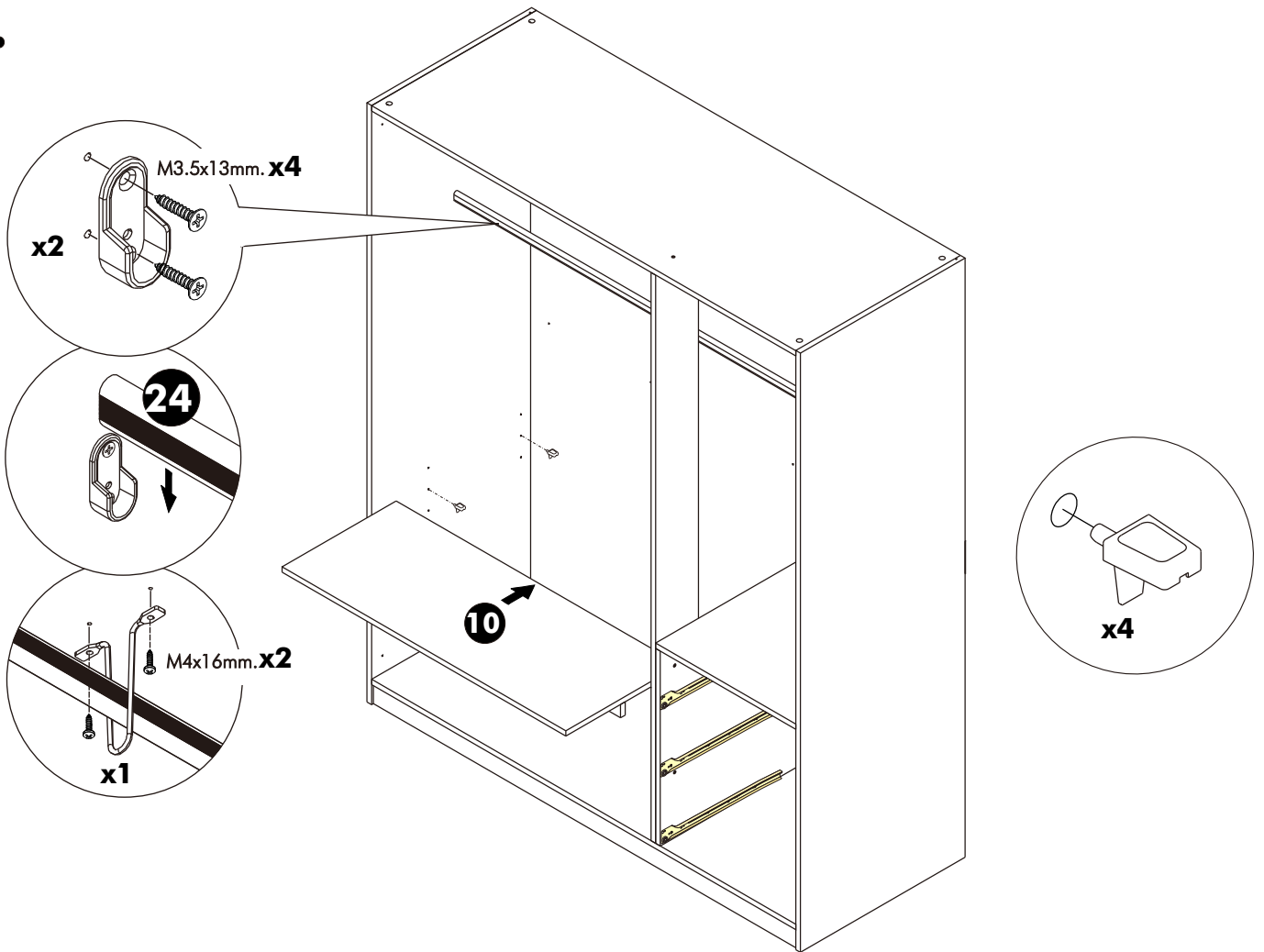
**5.**



**6.**



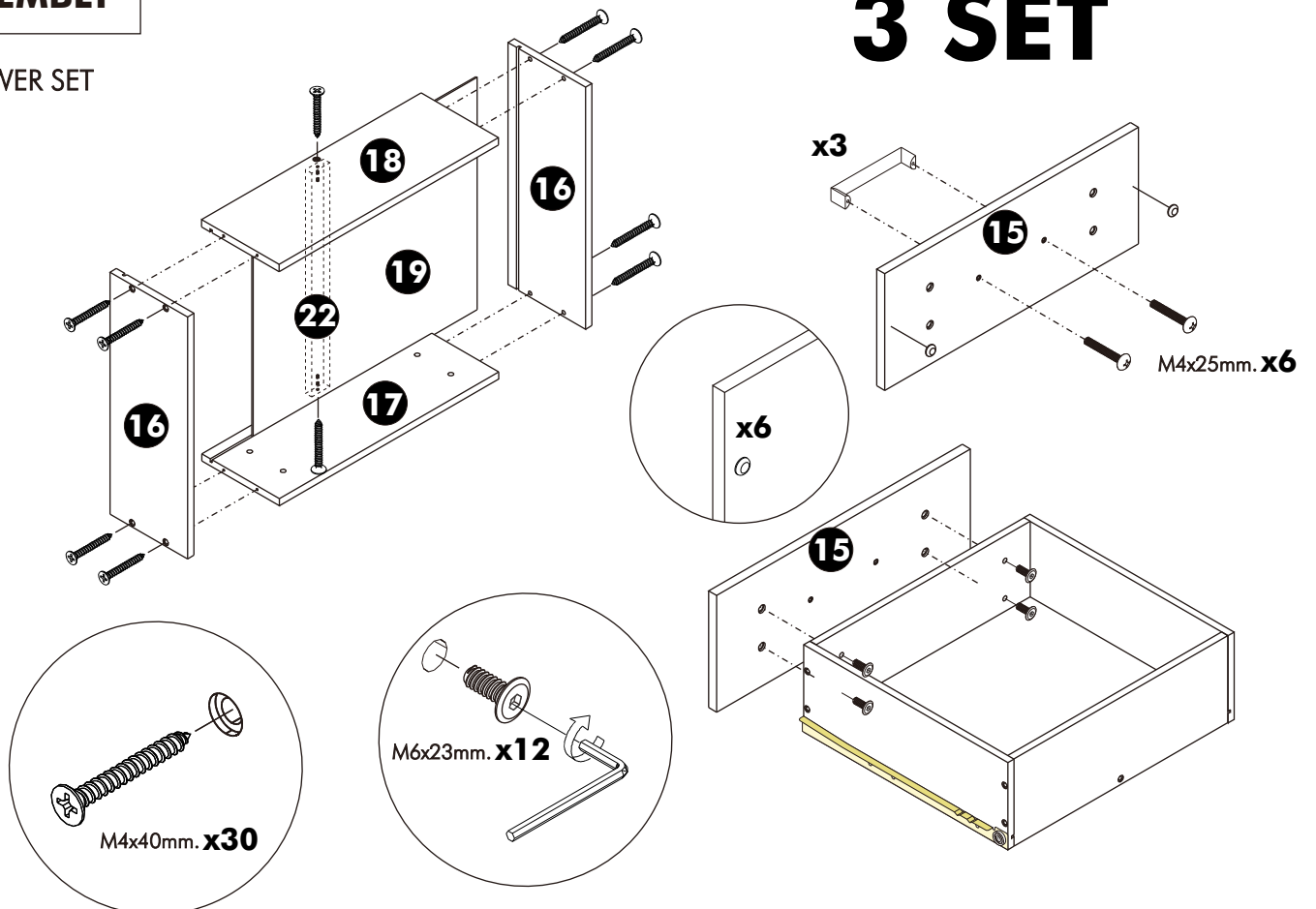
7.

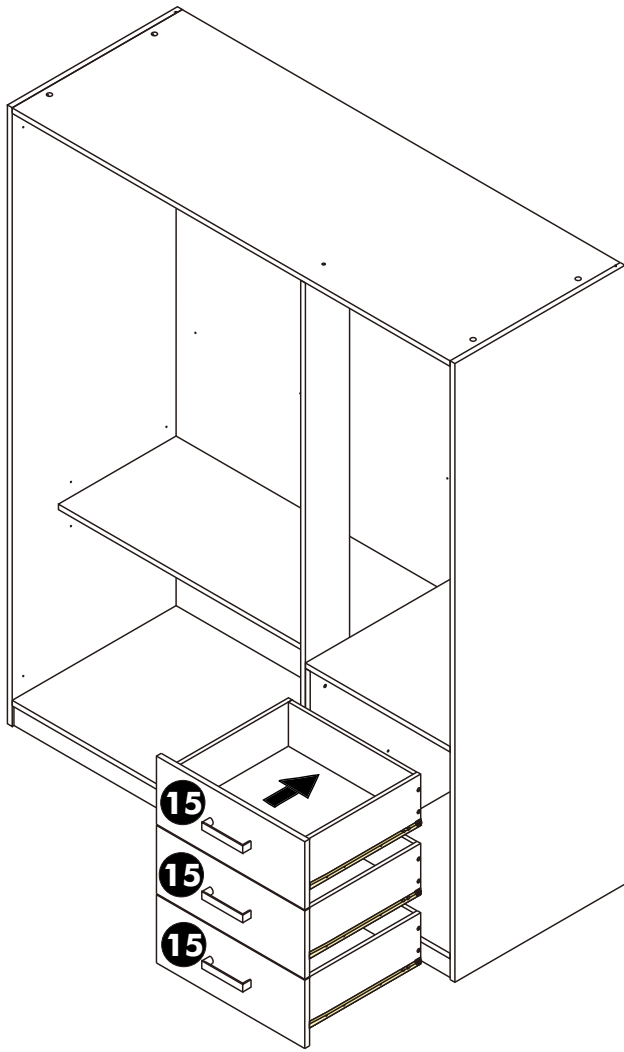


**ASSEMBLY**

-DRAWER SET

**3 SET**





**ASSEMBLY**

-DOOR SET

