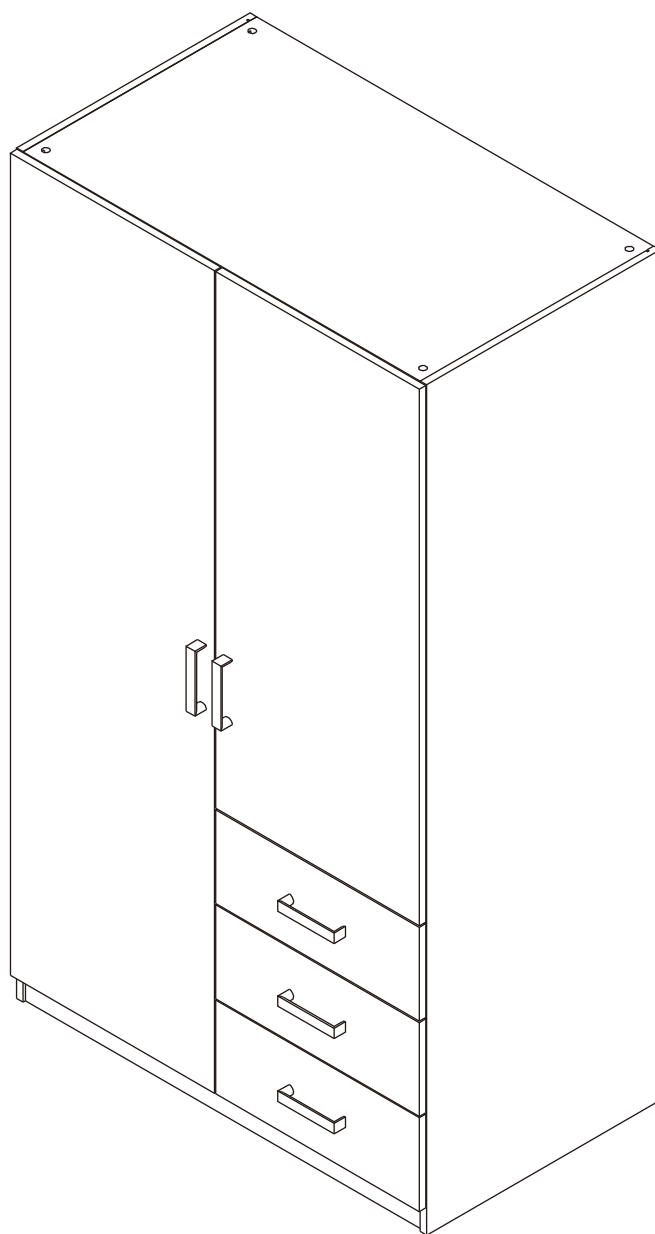
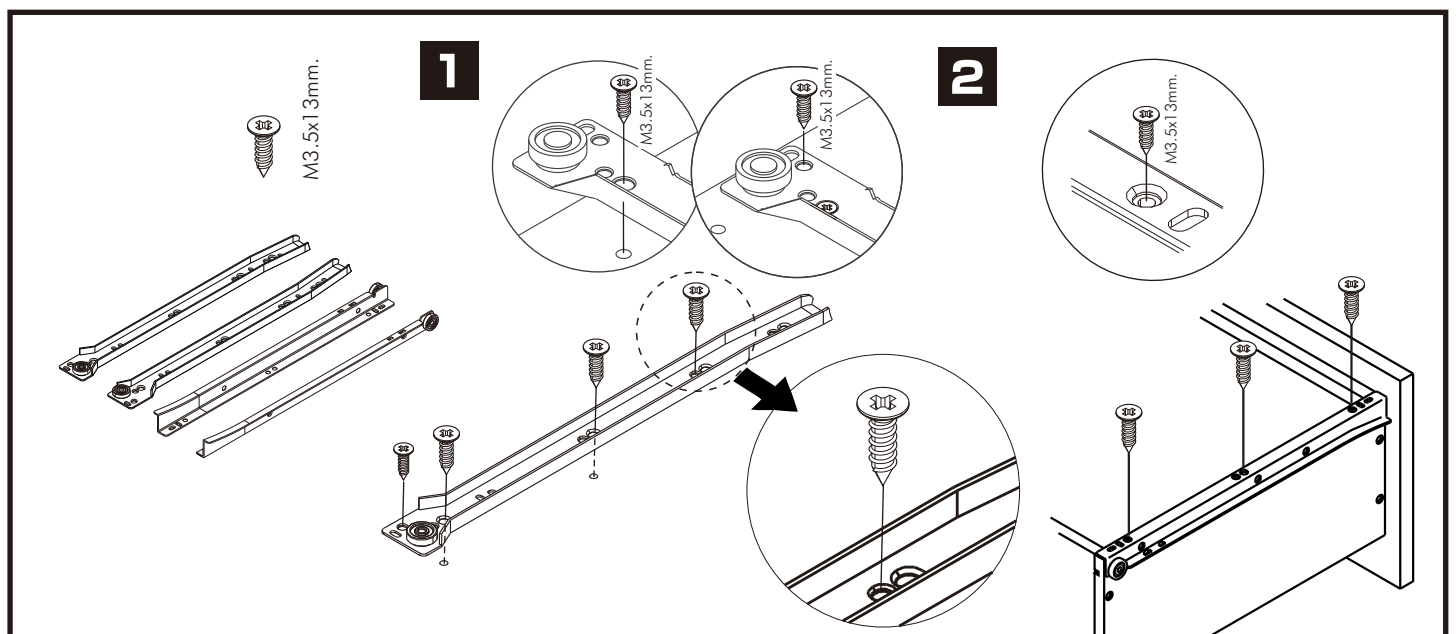
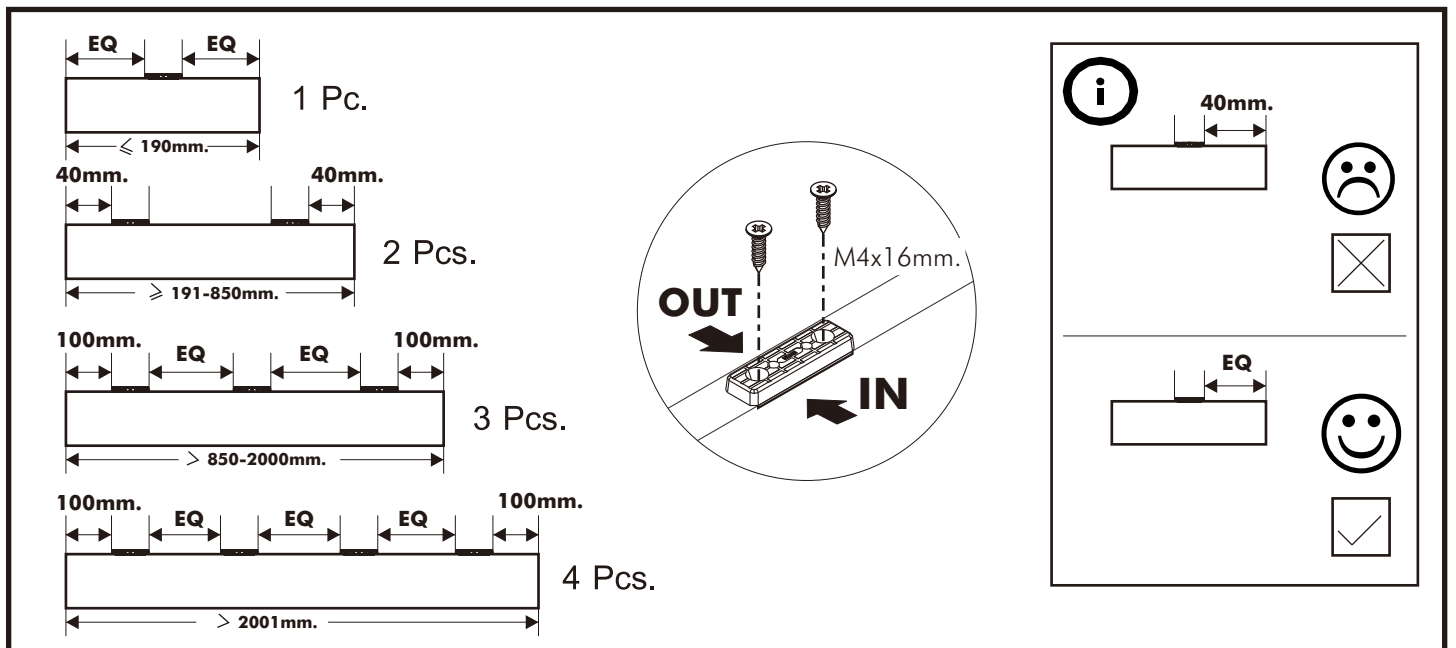
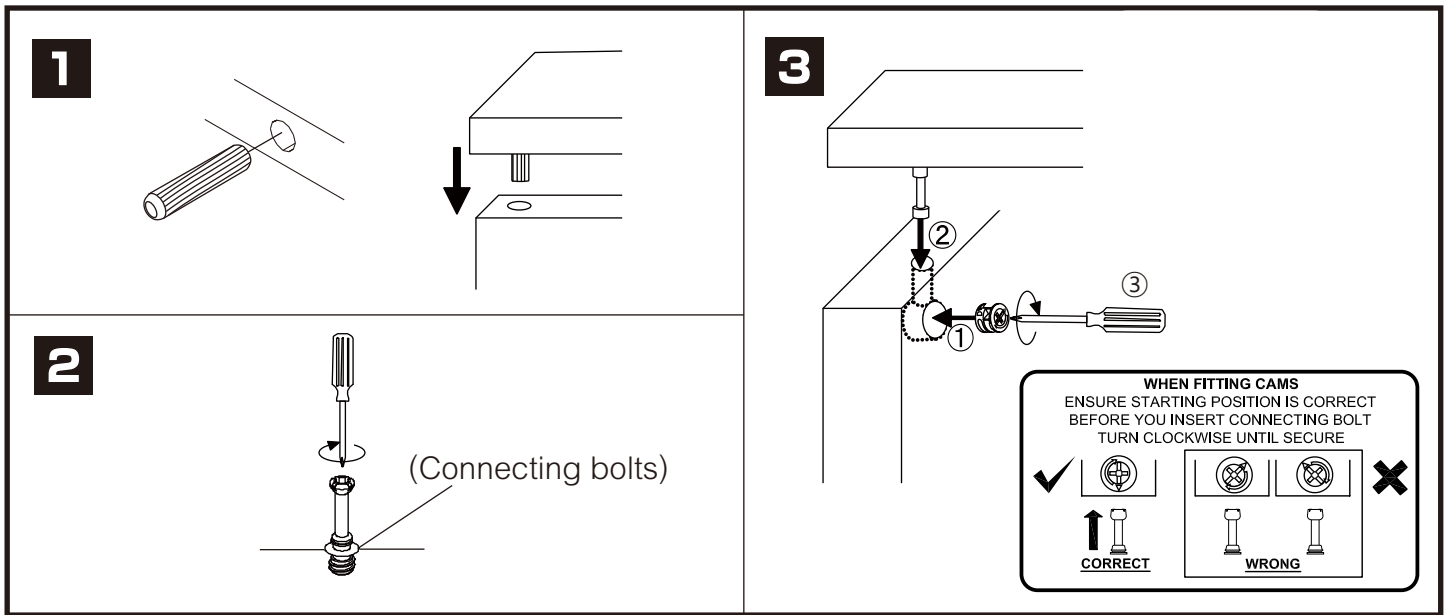


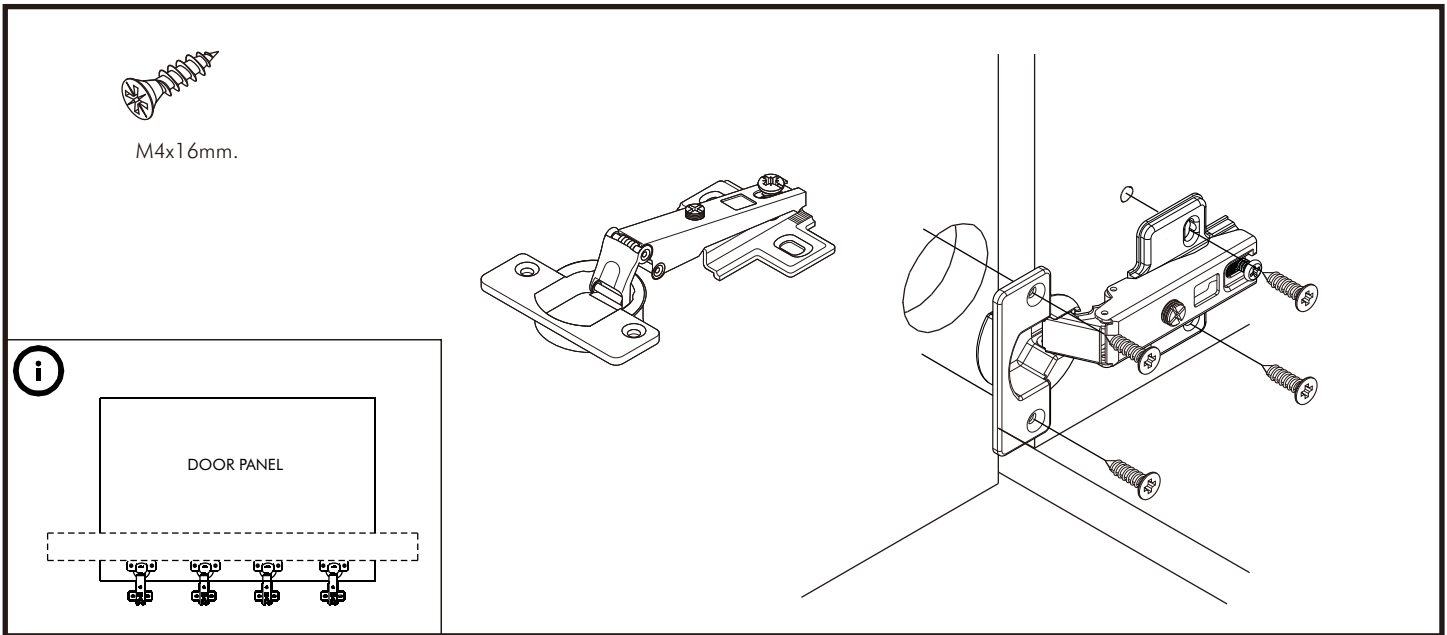
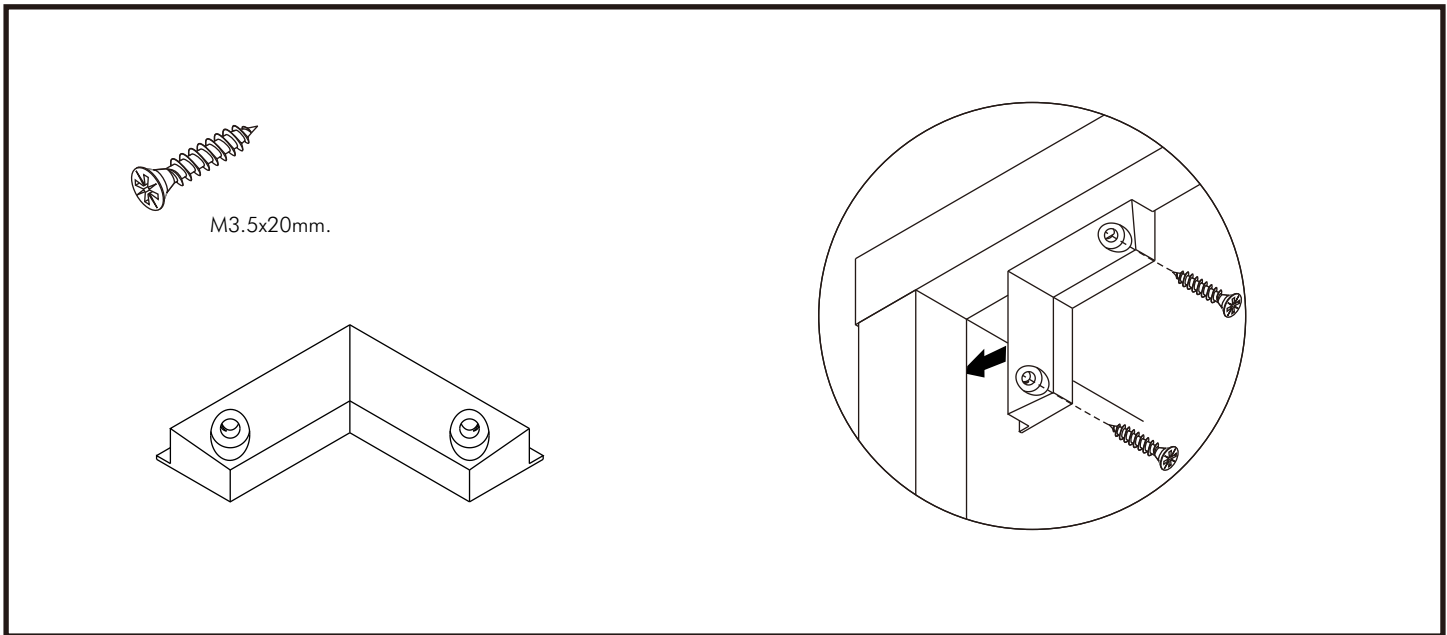
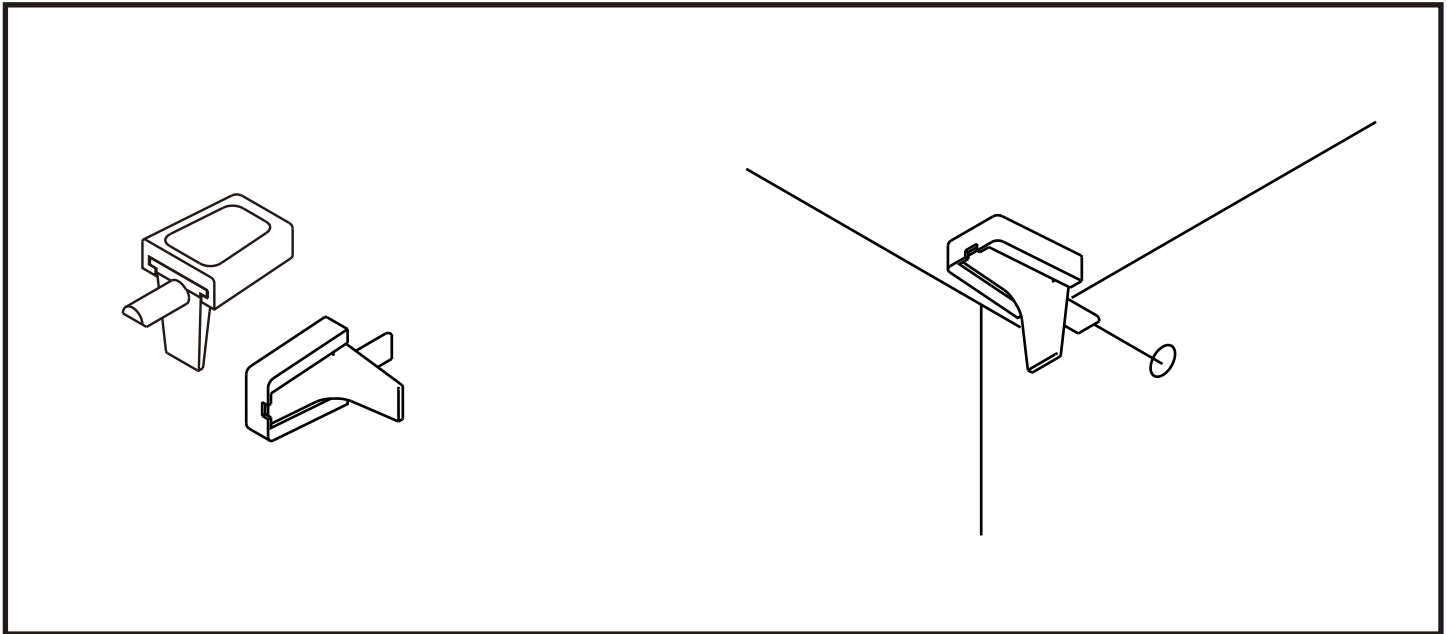
H-VINCE-P

Wardrobe 2 drs



CONNECT SYSTEM





x2



The Standard for identifying which mounted safety fall protection fitting to use **Note : That children's products must be installed with all anti-falling fittings.**

■ Mounted fall protection fittings



■ Category : Cabinet with open doors



■ Category : Chest of drawers

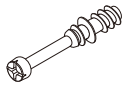


■ Category : Sliding door cabinet / Open cabinet



HARDWARE

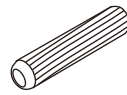
-BODY SET



x 12



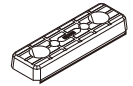
x 12



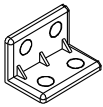
x 14



M3.5x20mm.
x 4



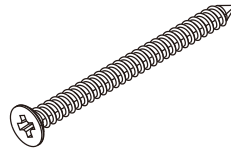
x 10



x 11



M4x16mm.
x 64



M4x50mm.
x 2



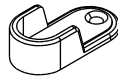
M3.5x13mm.
x 4



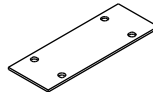
x 4



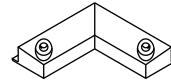
M4x16mm.
x 21



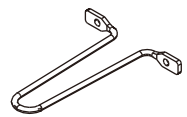
x 2



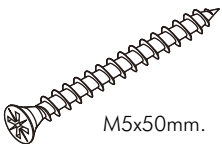
x 2



x 2



x 1



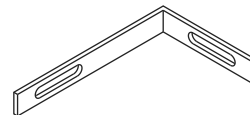
M5x50mm.
x 2



M4x16mm.
x 2

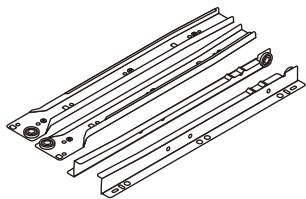


x 2



x 2

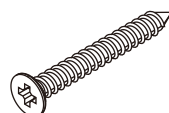
-DRAWER SET



x 3



M3.5x13mm.
x 42



M4x40mm.
x 30



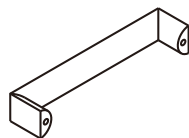
TFL4 M6x23
x 12



x 1



x 6

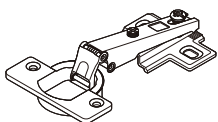


x 3



M4x25mm.
x 6

-DOOR SET



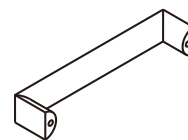
x 5



M4x16mm.
x 20



x 4



x 2

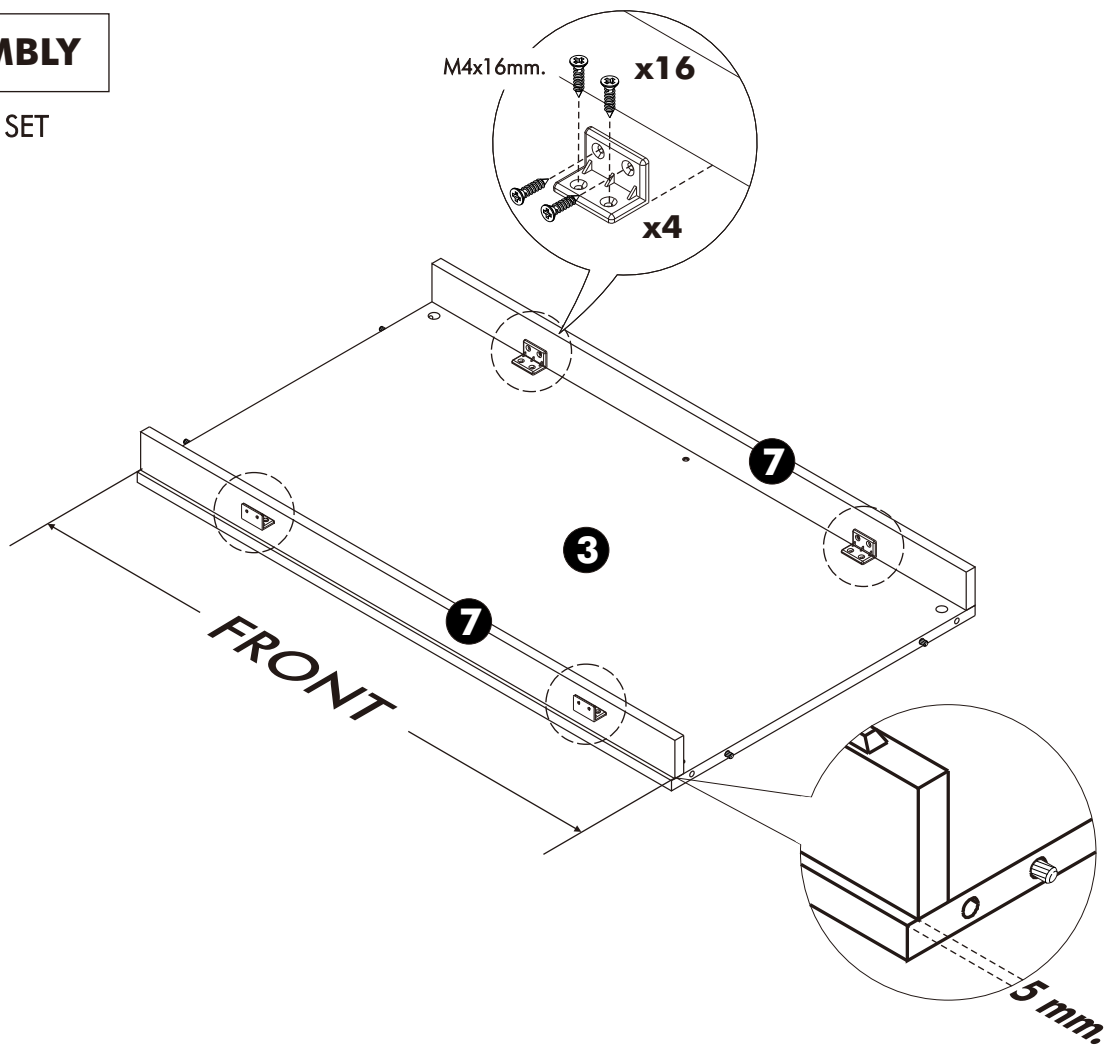


M4x25mm.
x 4

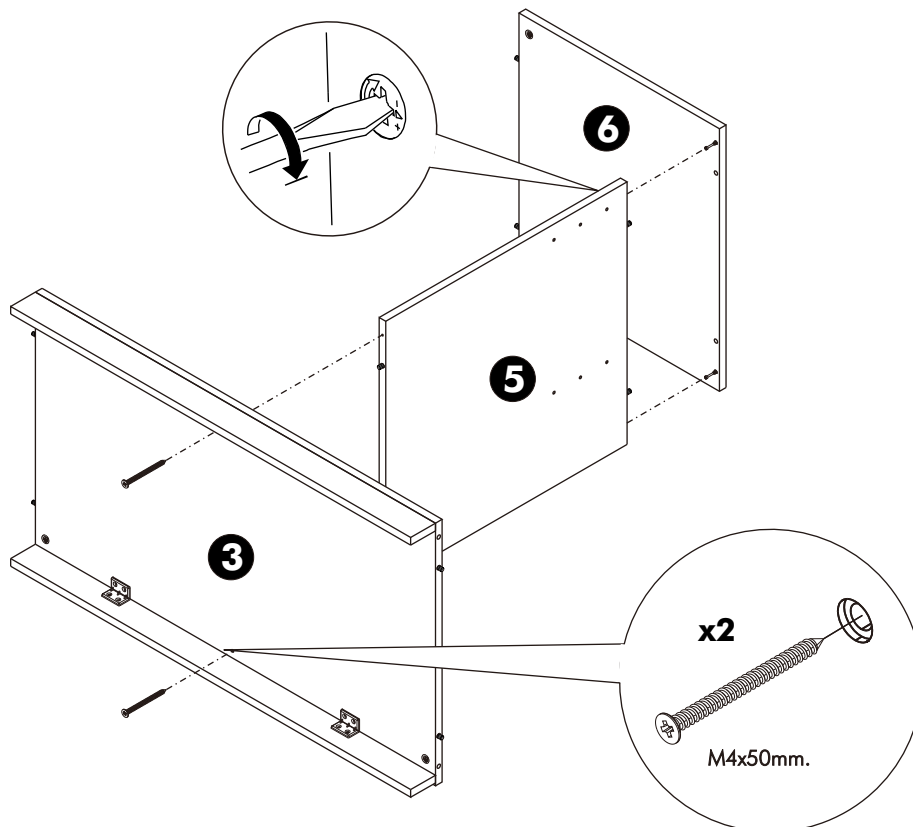
ASSEMBLY

-BODY SET

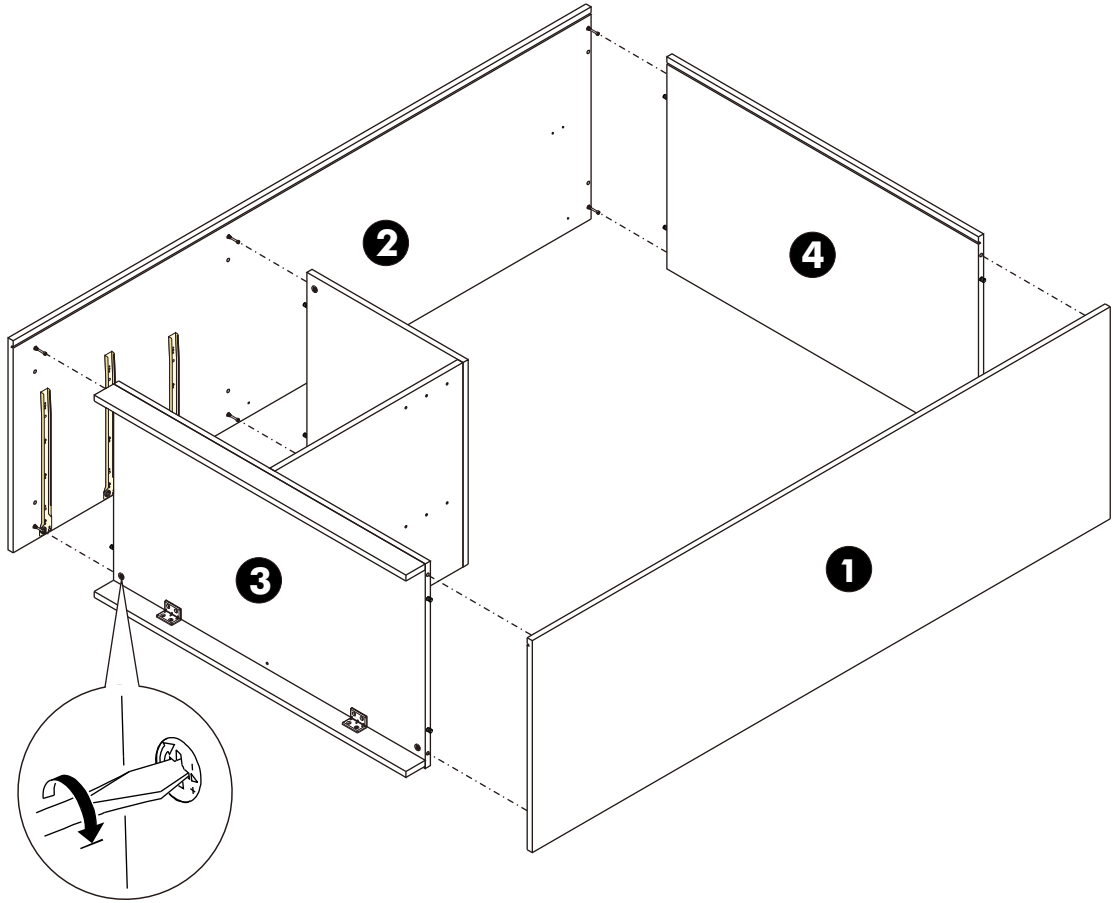
1.



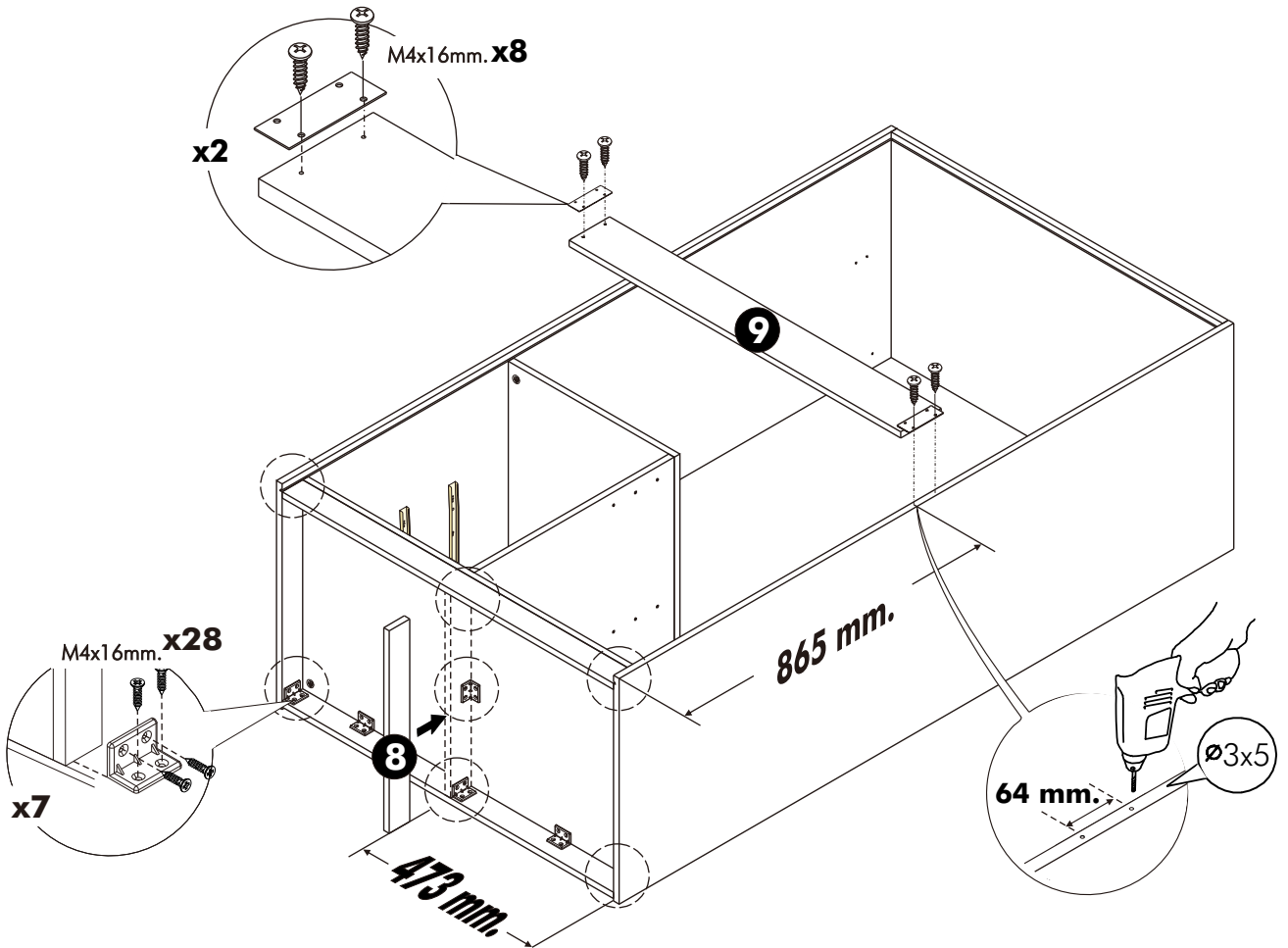
2.



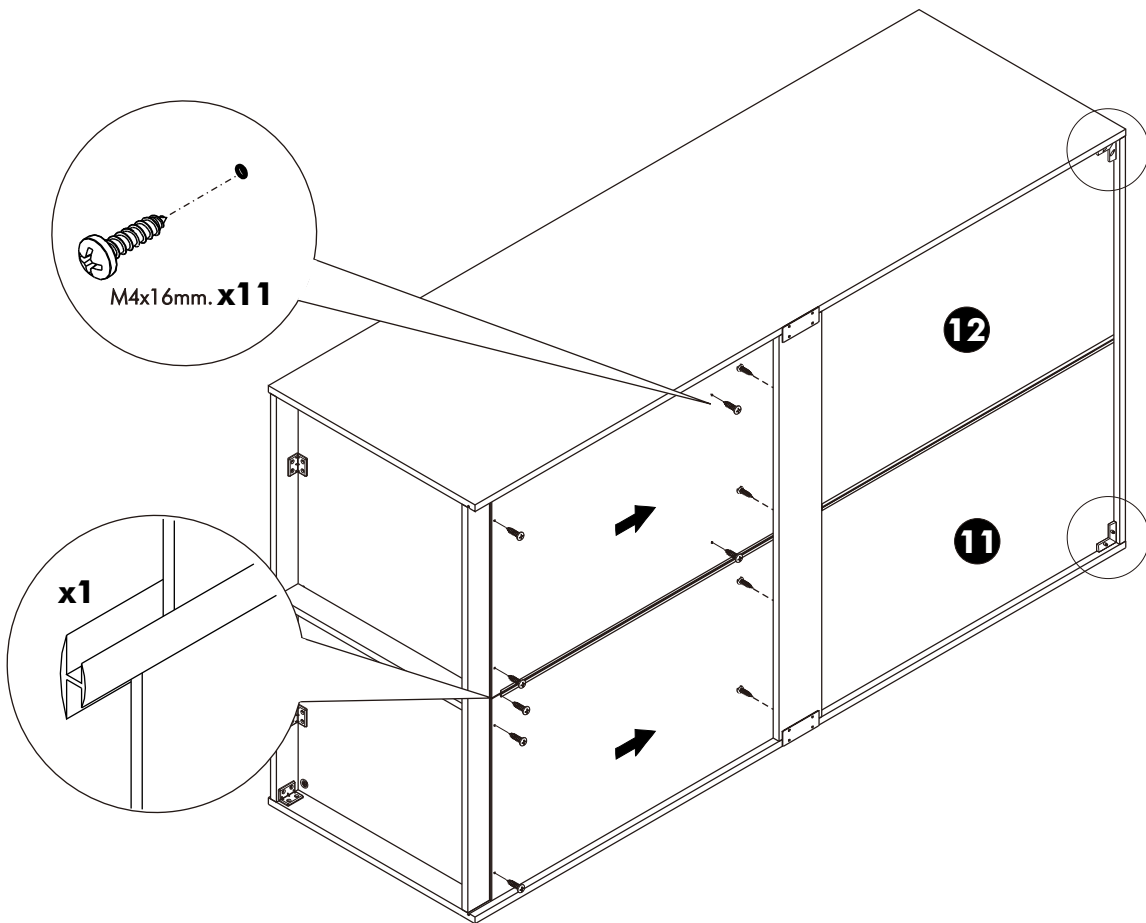
3.



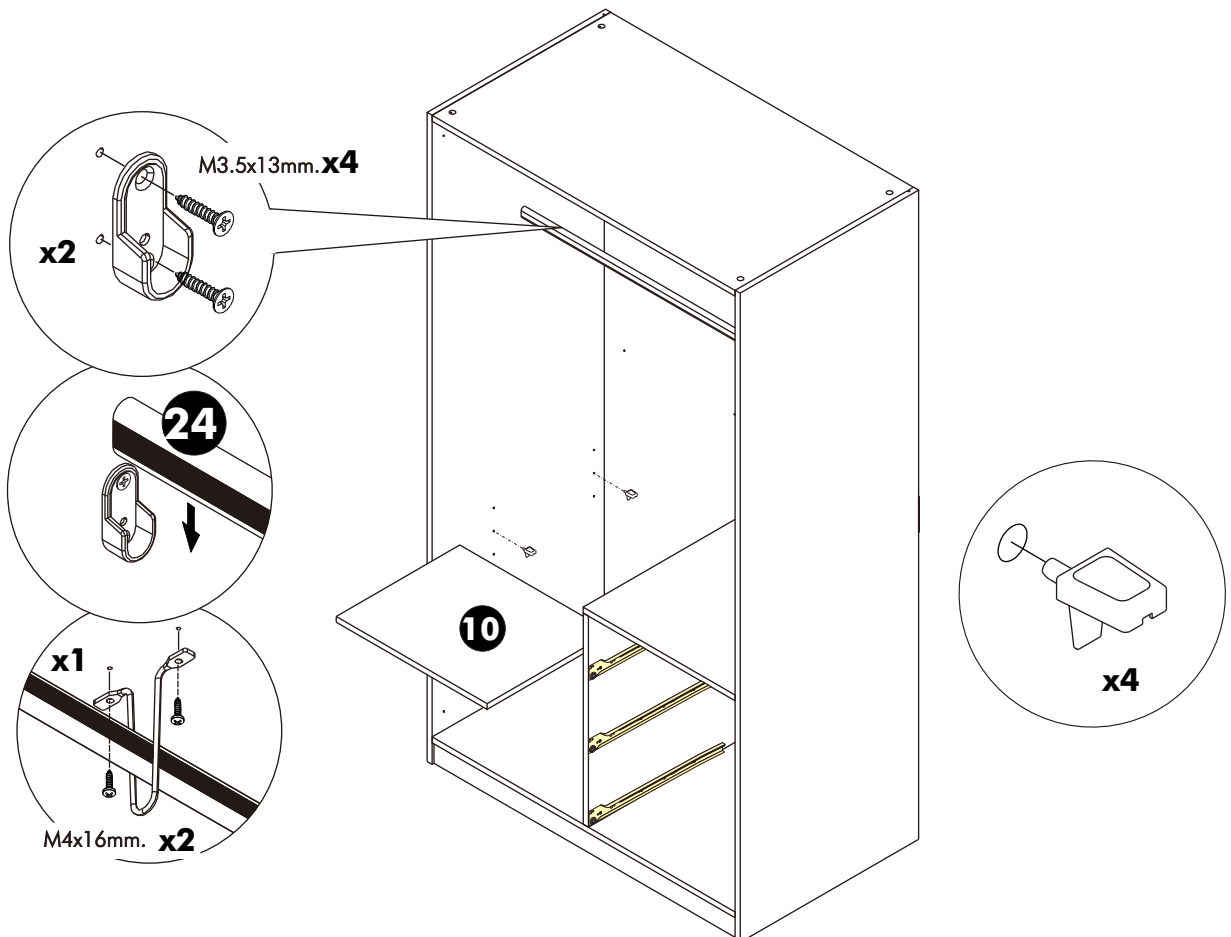
4.



5.



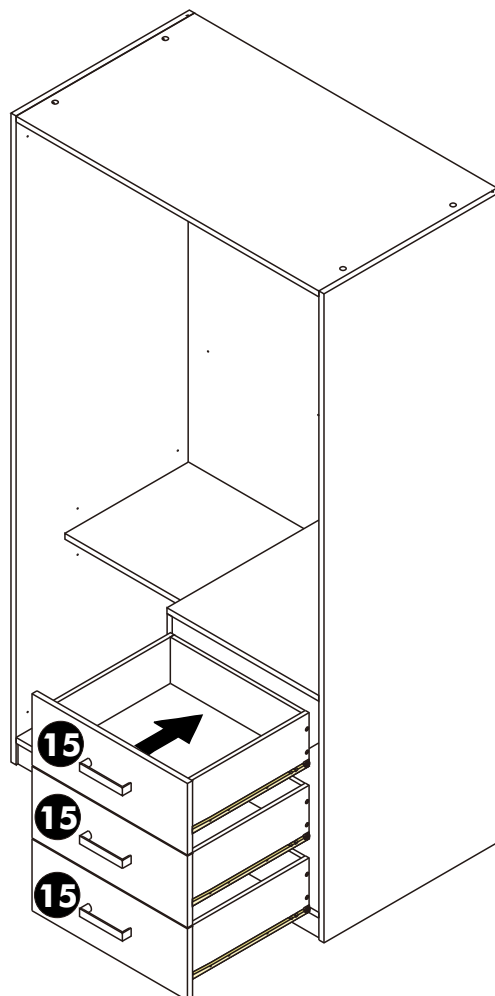
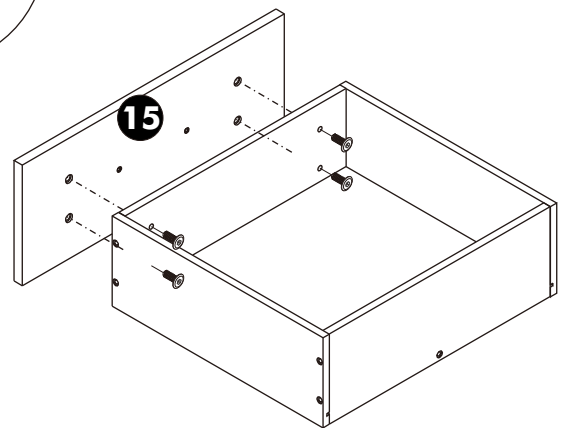
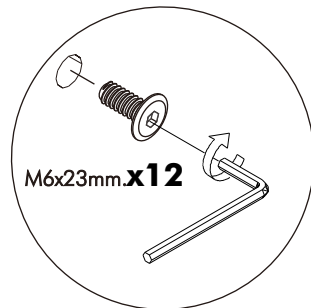
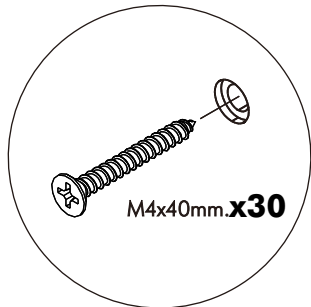
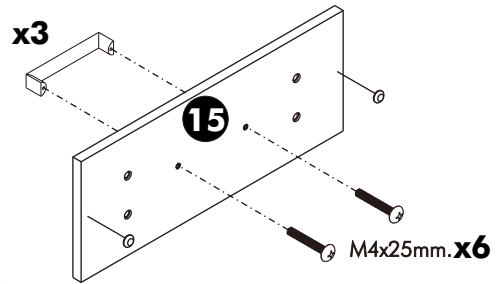
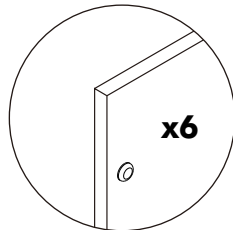
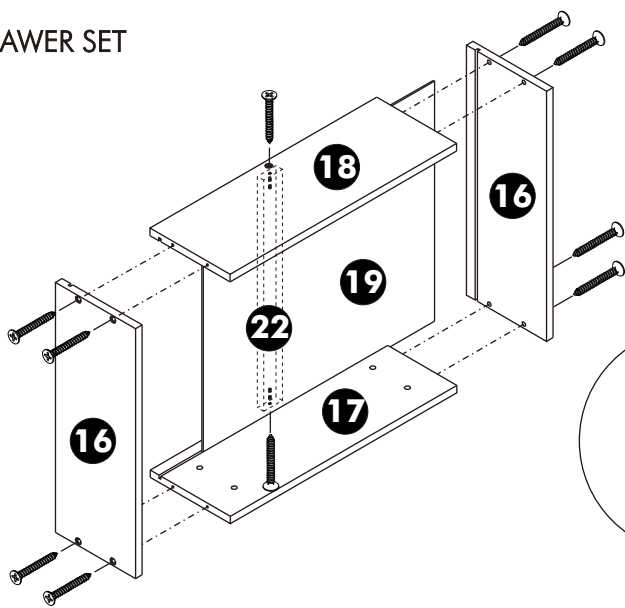
6.



ASSEMBLY

-DRAWER SET

3 SET



ASSEMBLY

-DOOR SET

