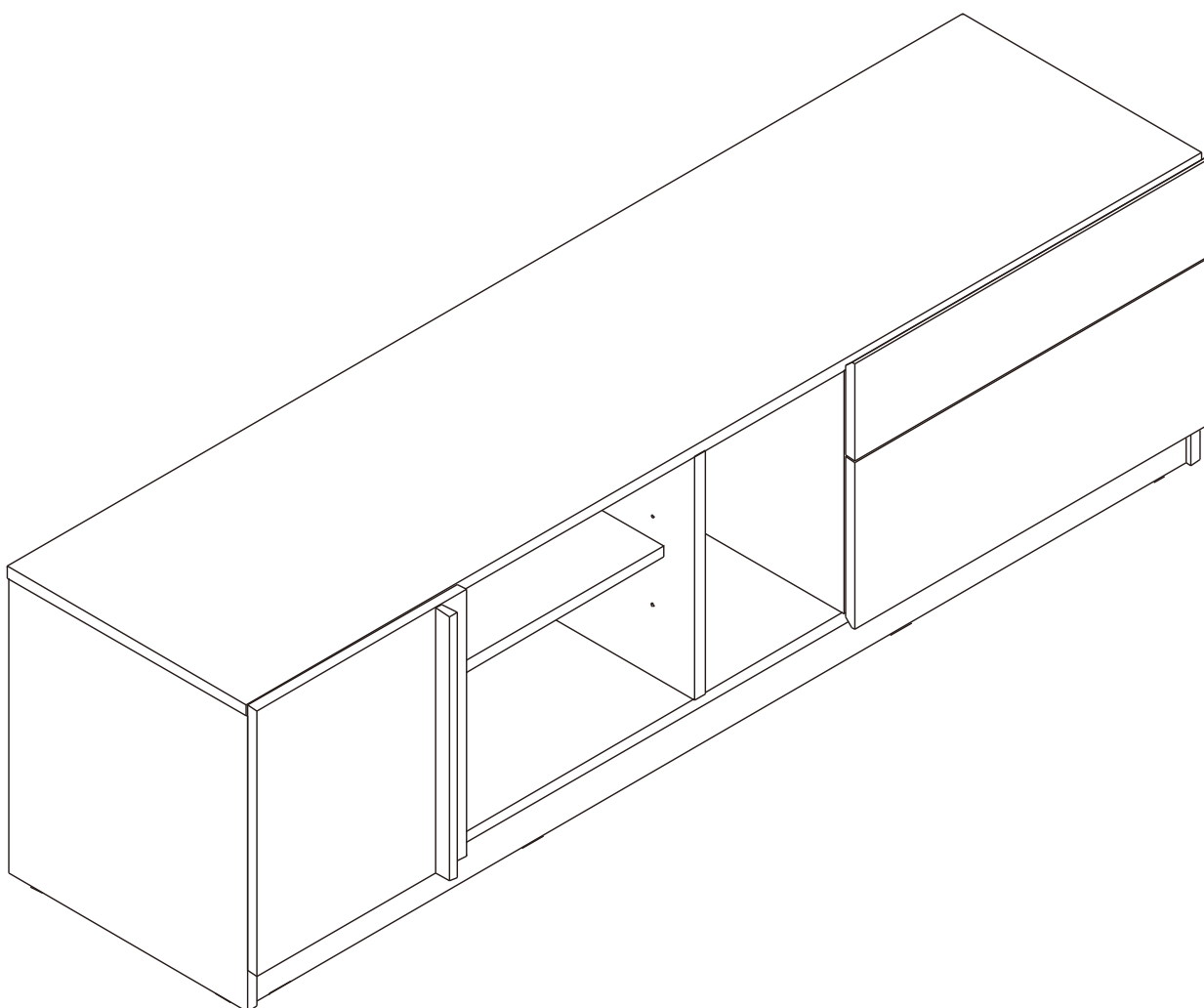
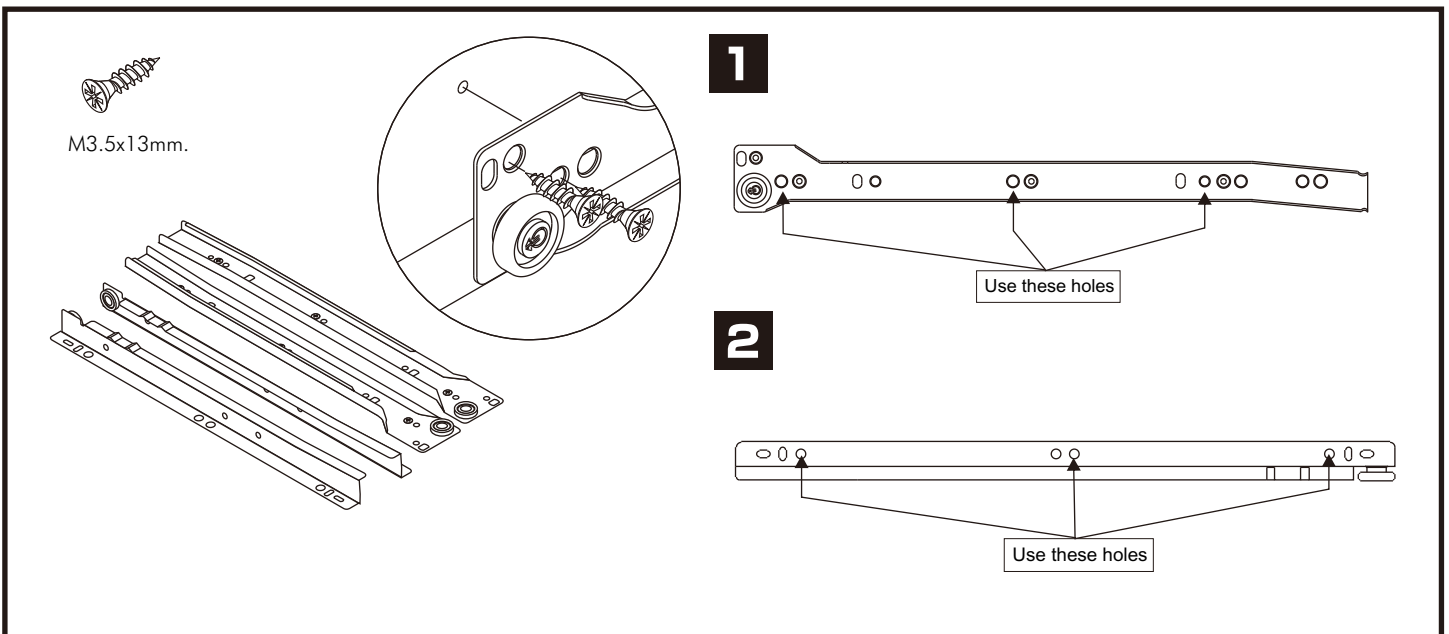
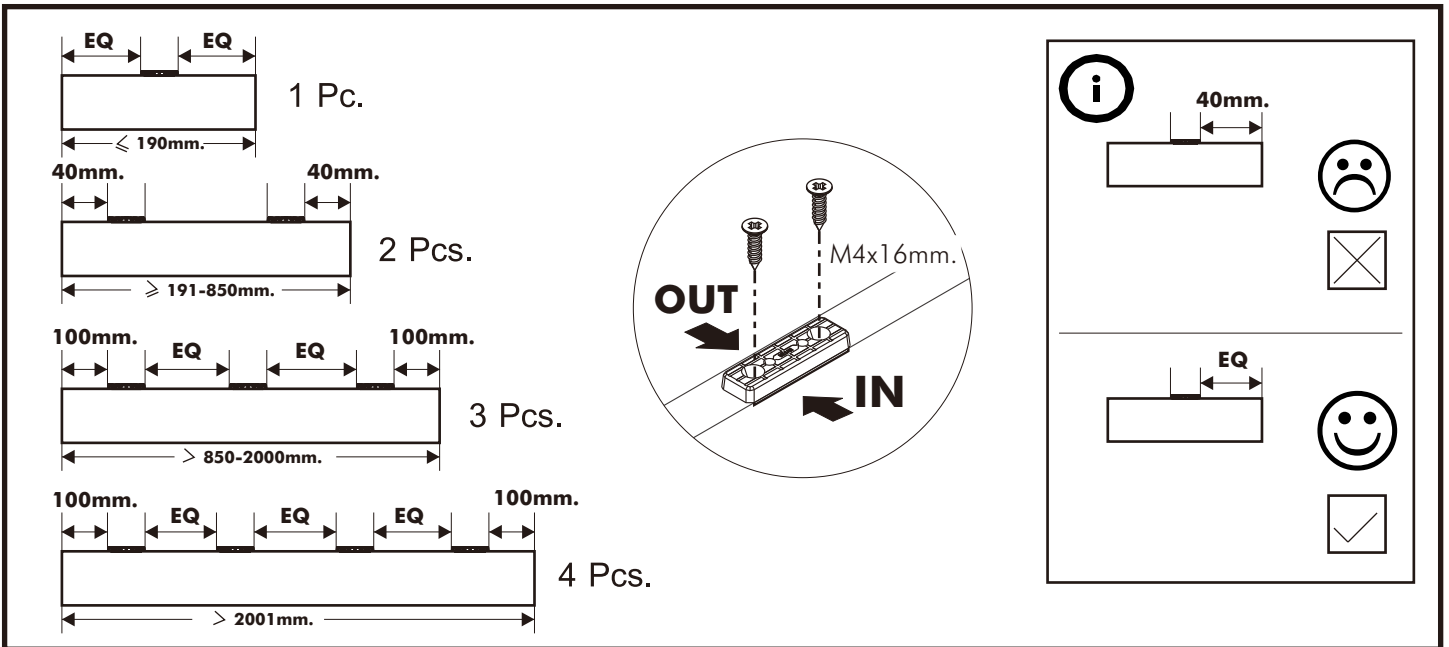
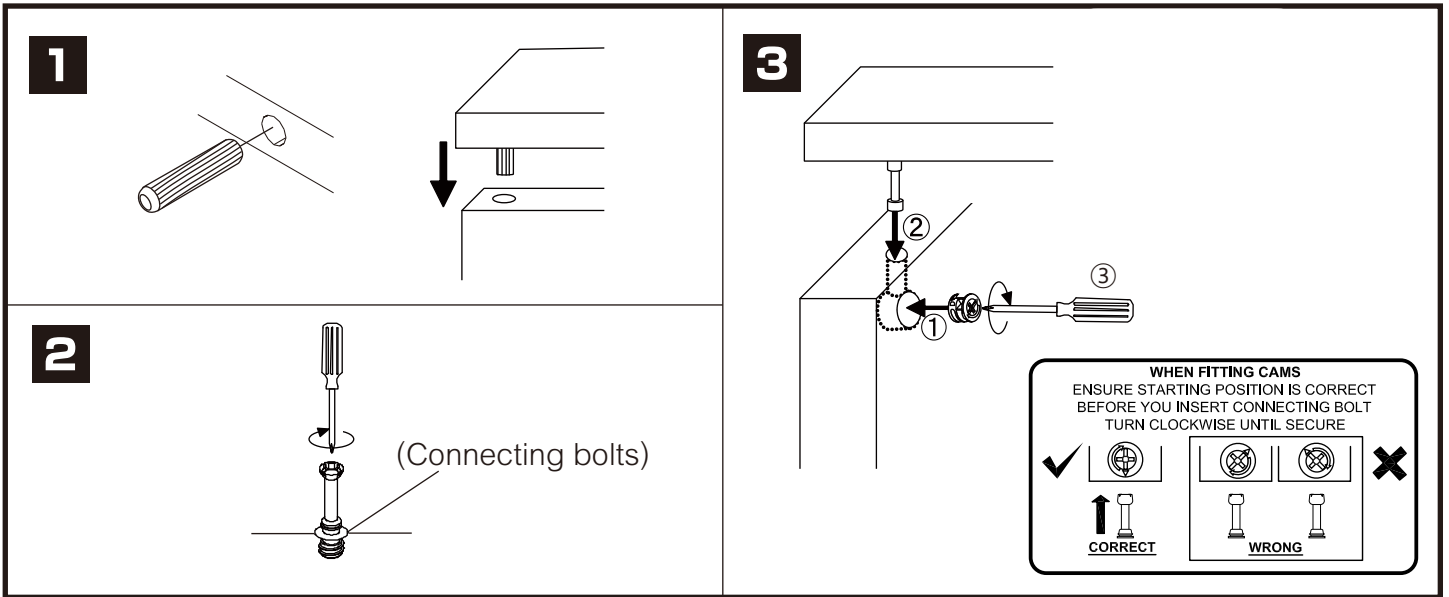


# HARSH-P

**TV cabinet 160cm.**

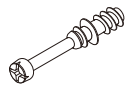


# CONNECT SYSTEM



# HARDWARE

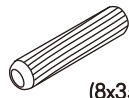
## -BODY SET



**x 14**



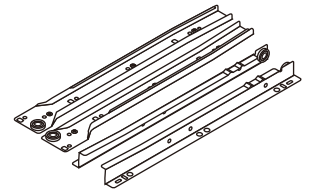
**x 14**



(8x35)  
**x 20**



M4x40mm.  
**x 26**



**x 2**



M6x23

**x 8**



M3.5x13mm.

**x 28**

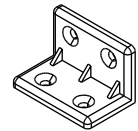


M4x20mm.

**x 4**



**x 4**



**x 6**



M4x16mm.

**x 56**



M4x25mm.

**x 2**

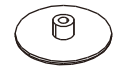


M4x50mm.

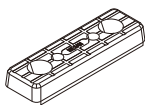
**x 8**



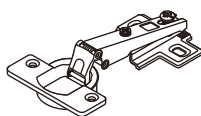
**x 2**



**x 6**



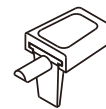
**x 12**



**x 2**



**x 1**



**x 4**

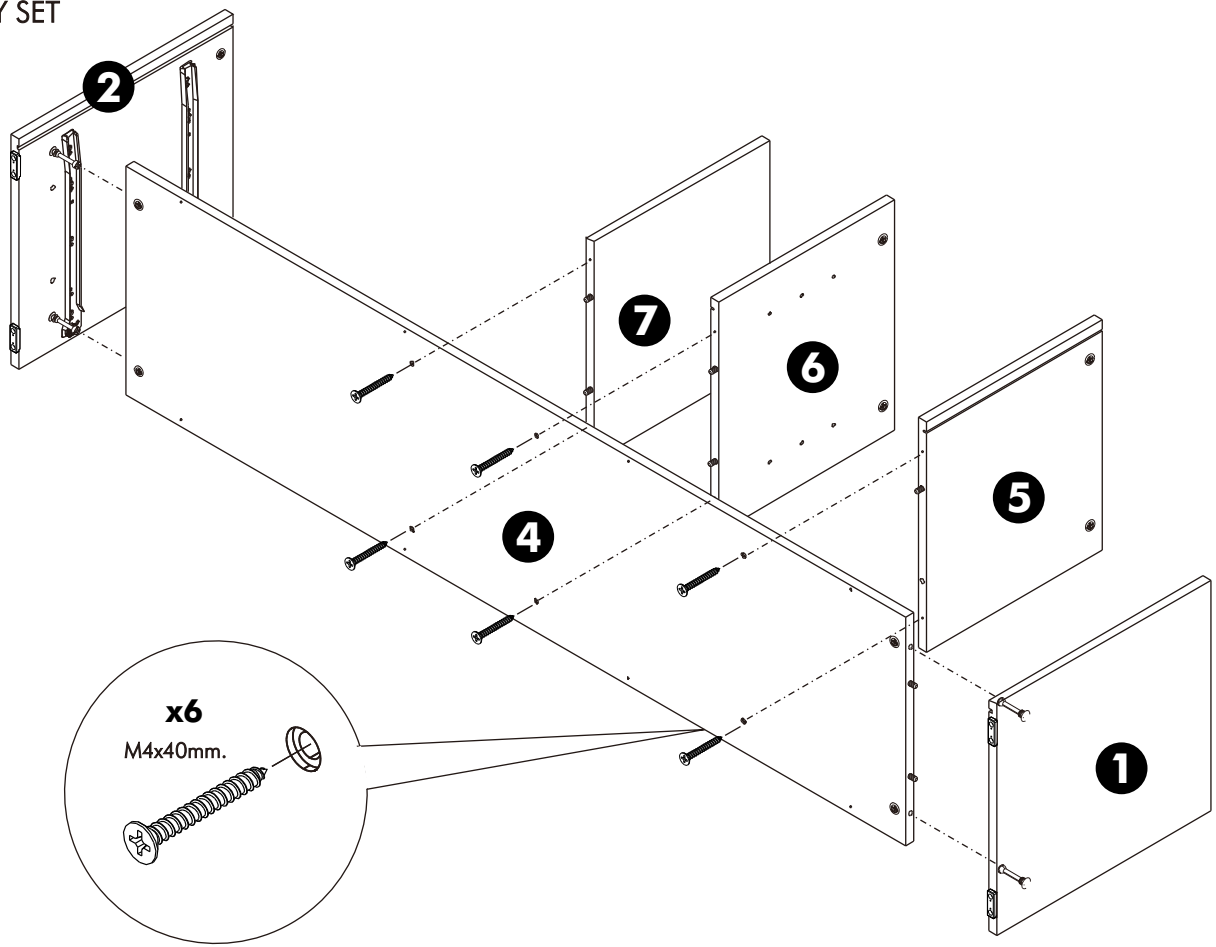


**x 2**

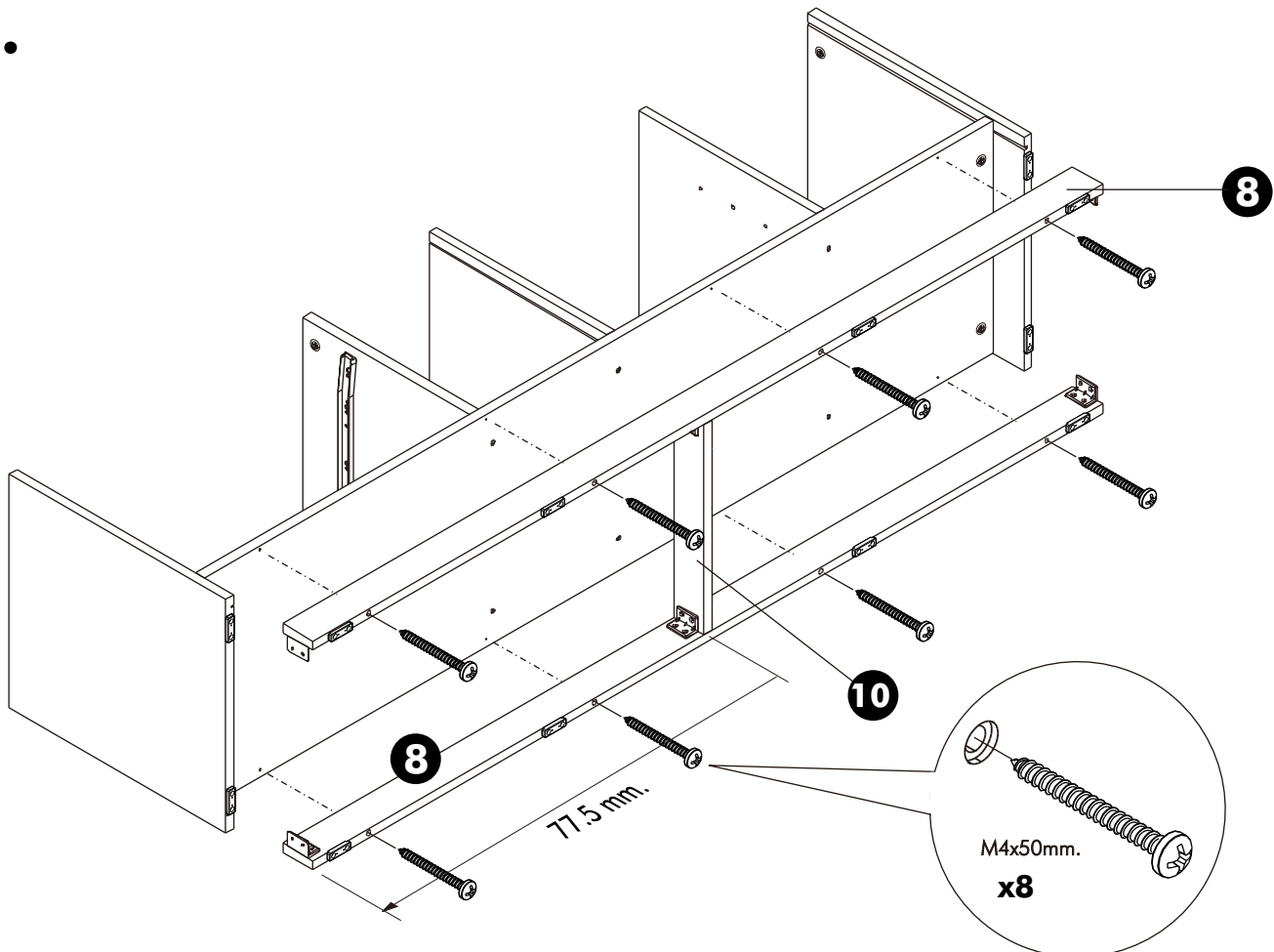
# ASSEMBLY

-BODY SET

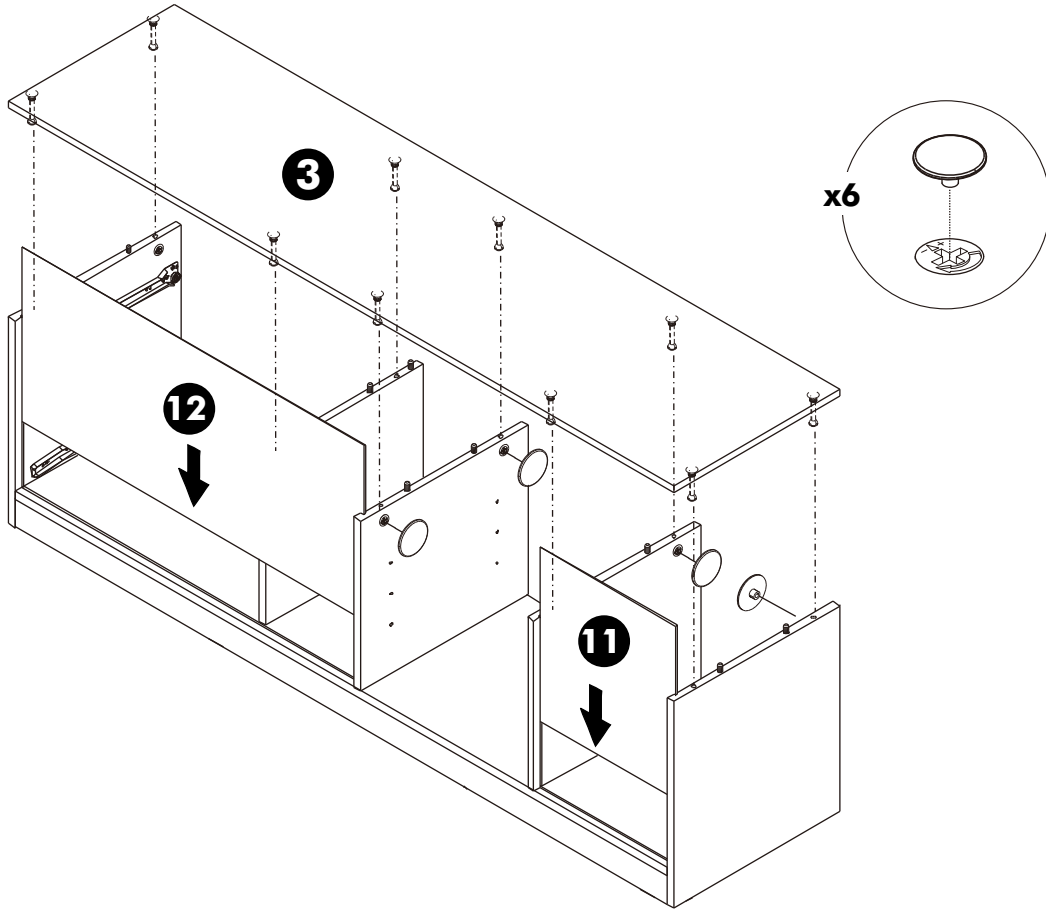
1.



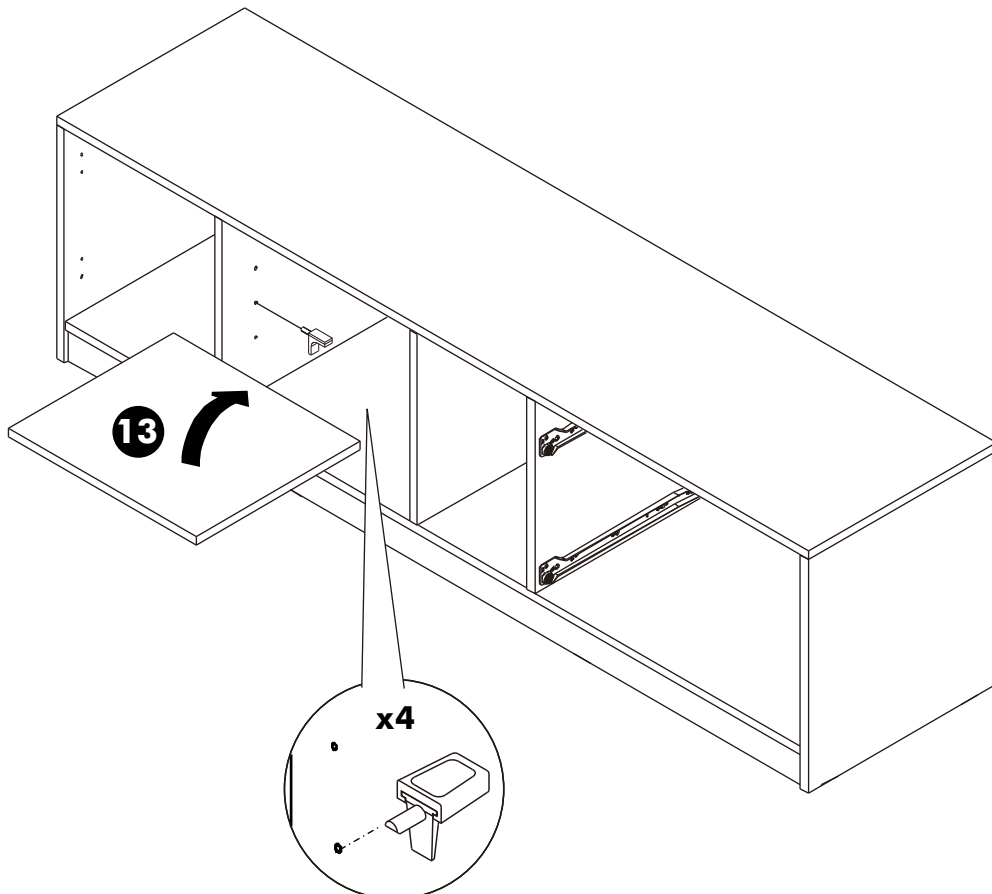
2.



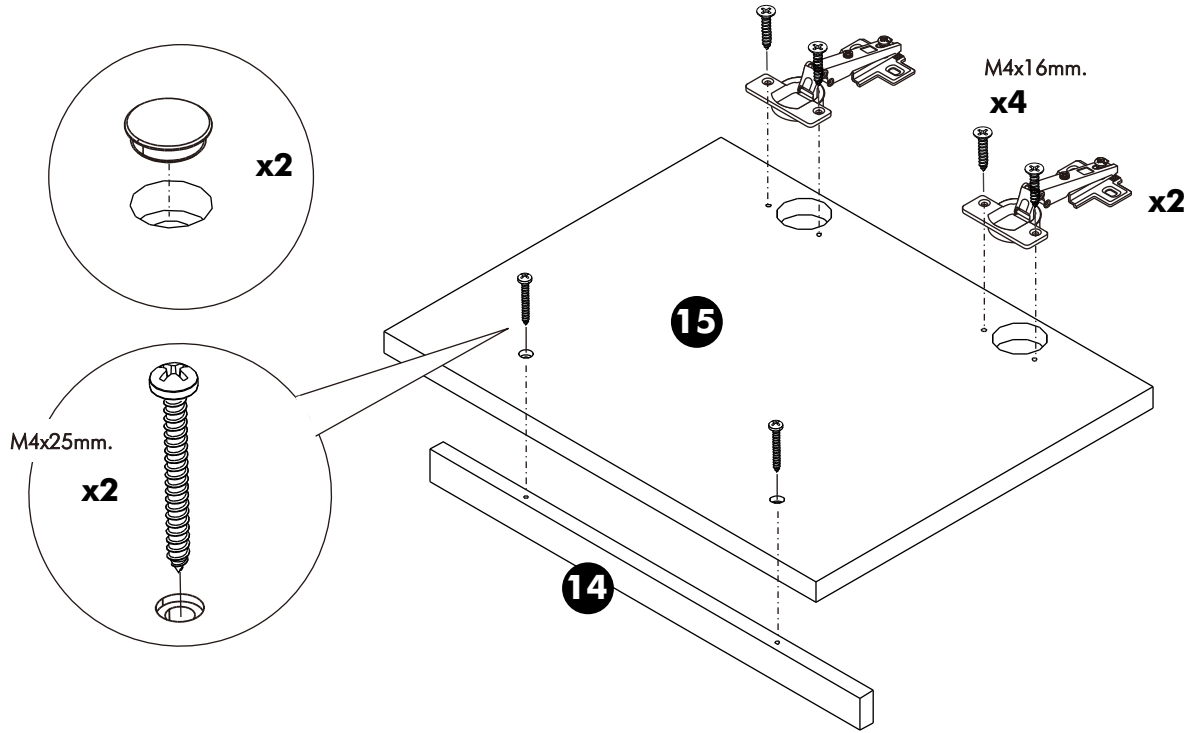
**3.**



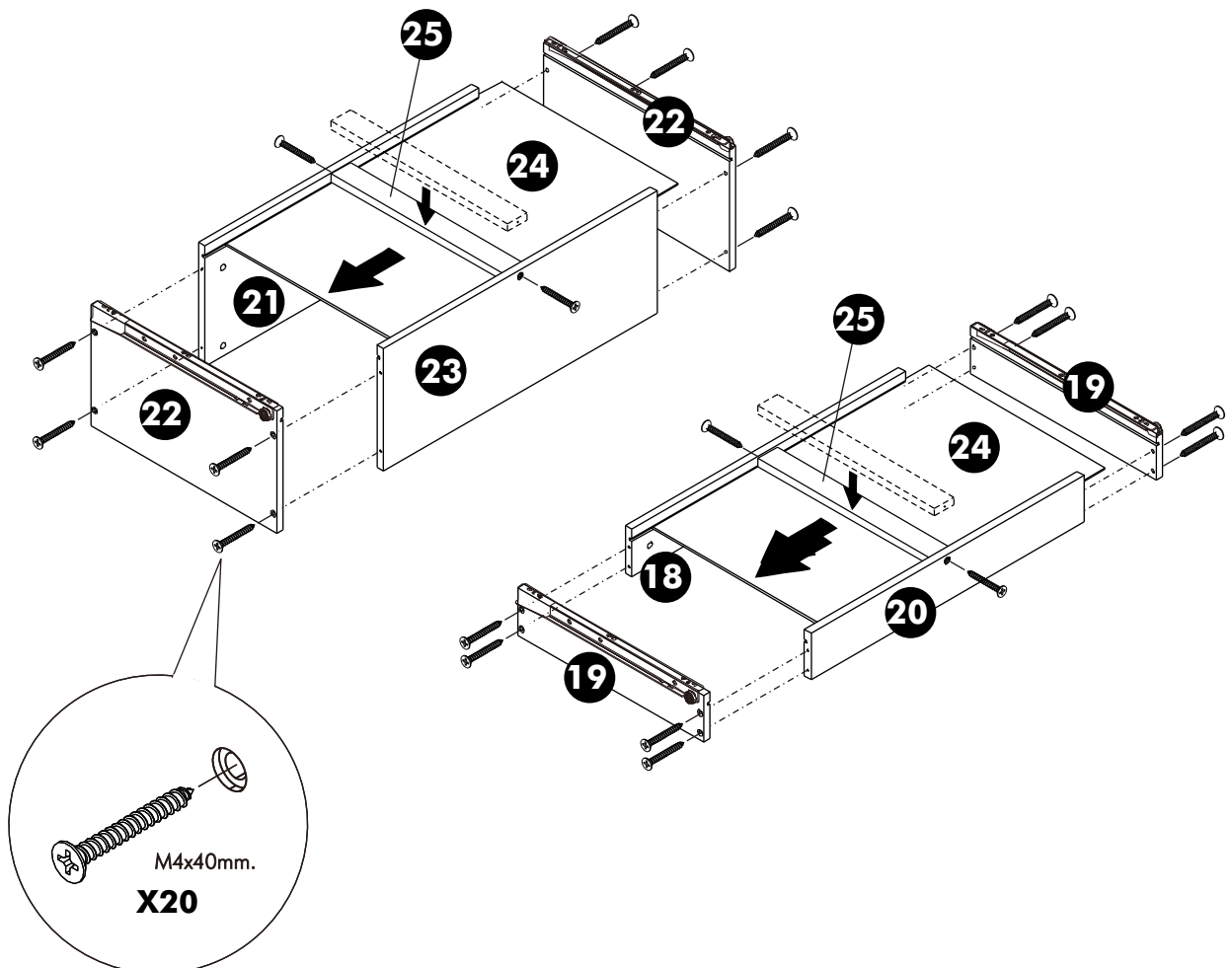
**4.**



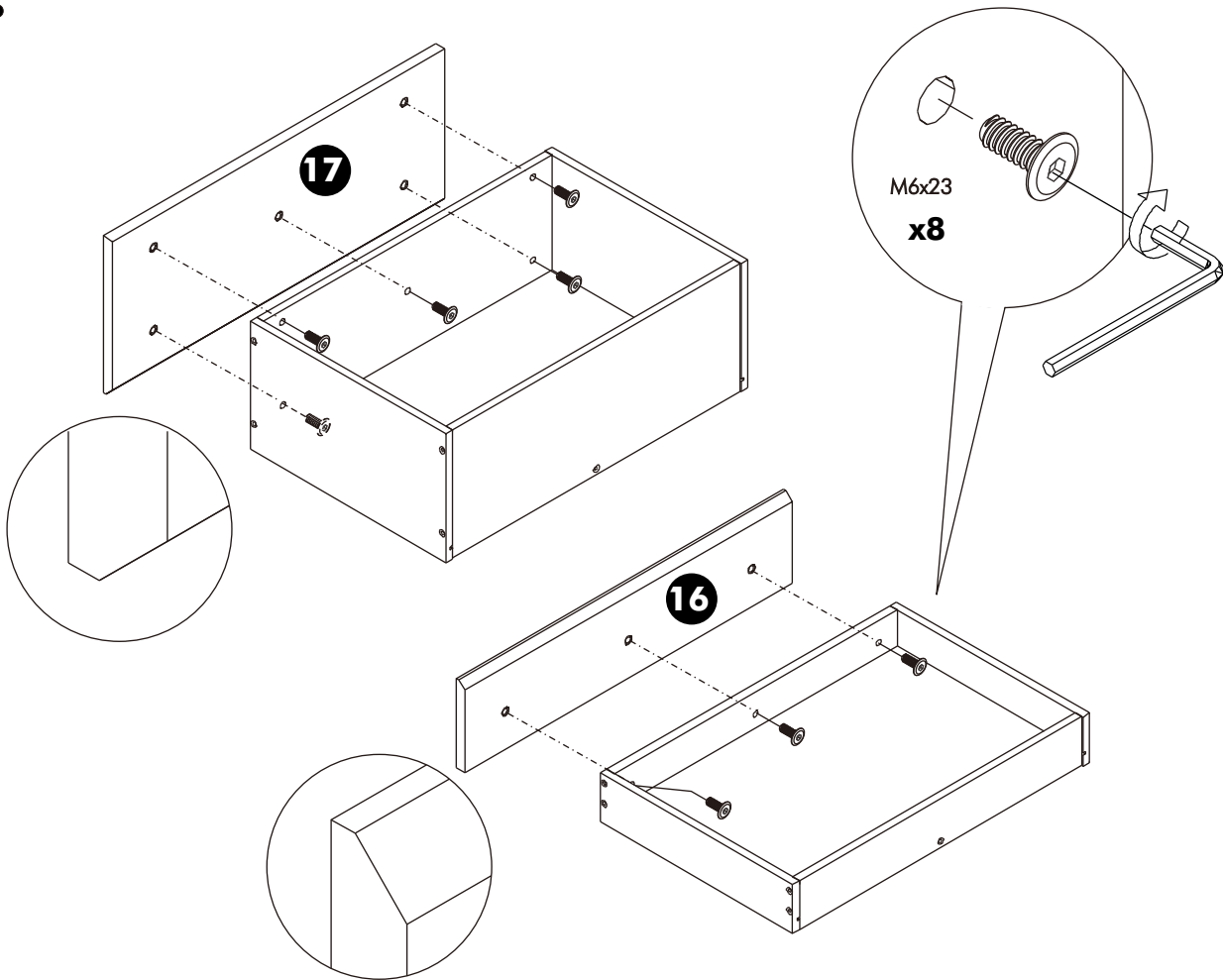
**5.**



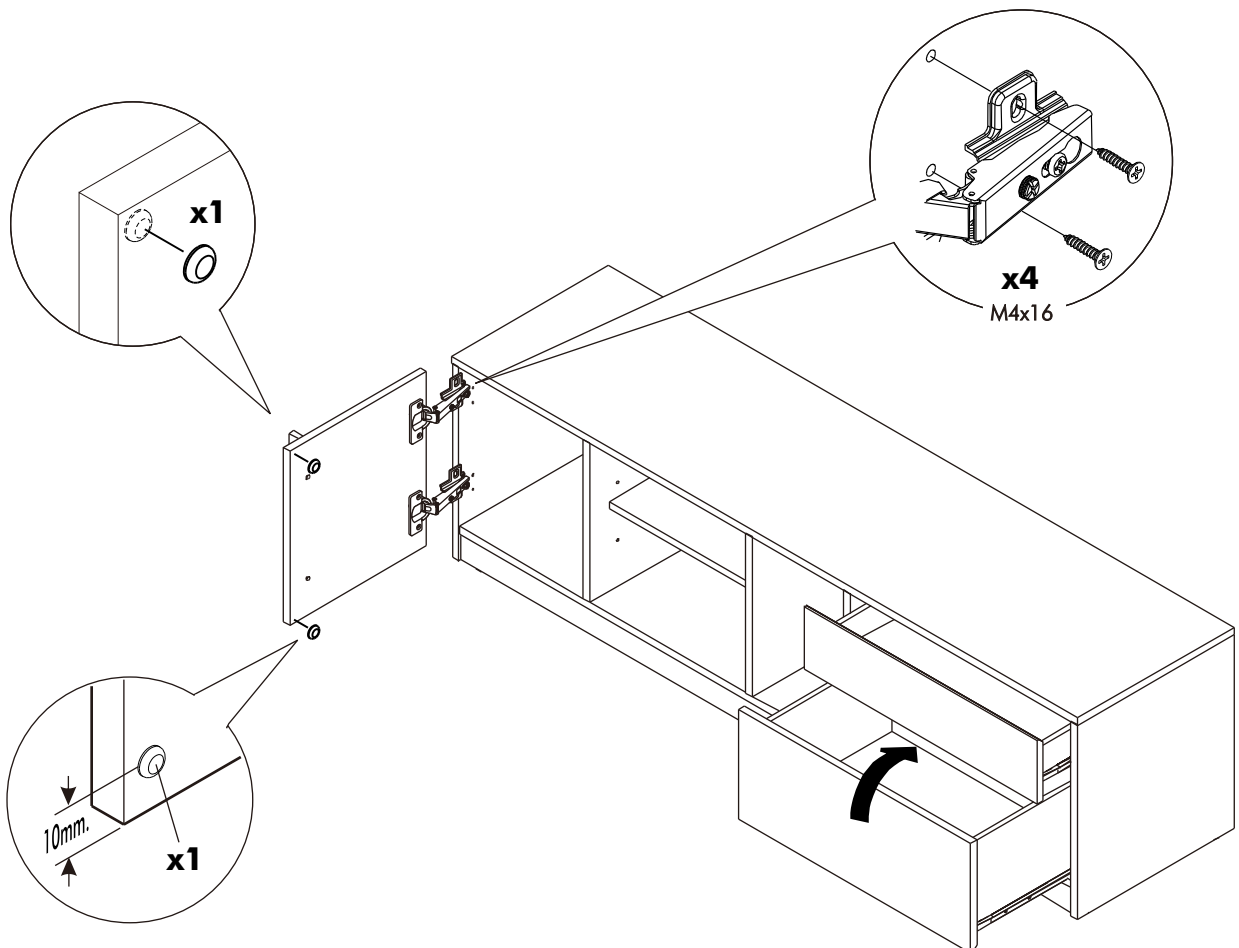
**6.**



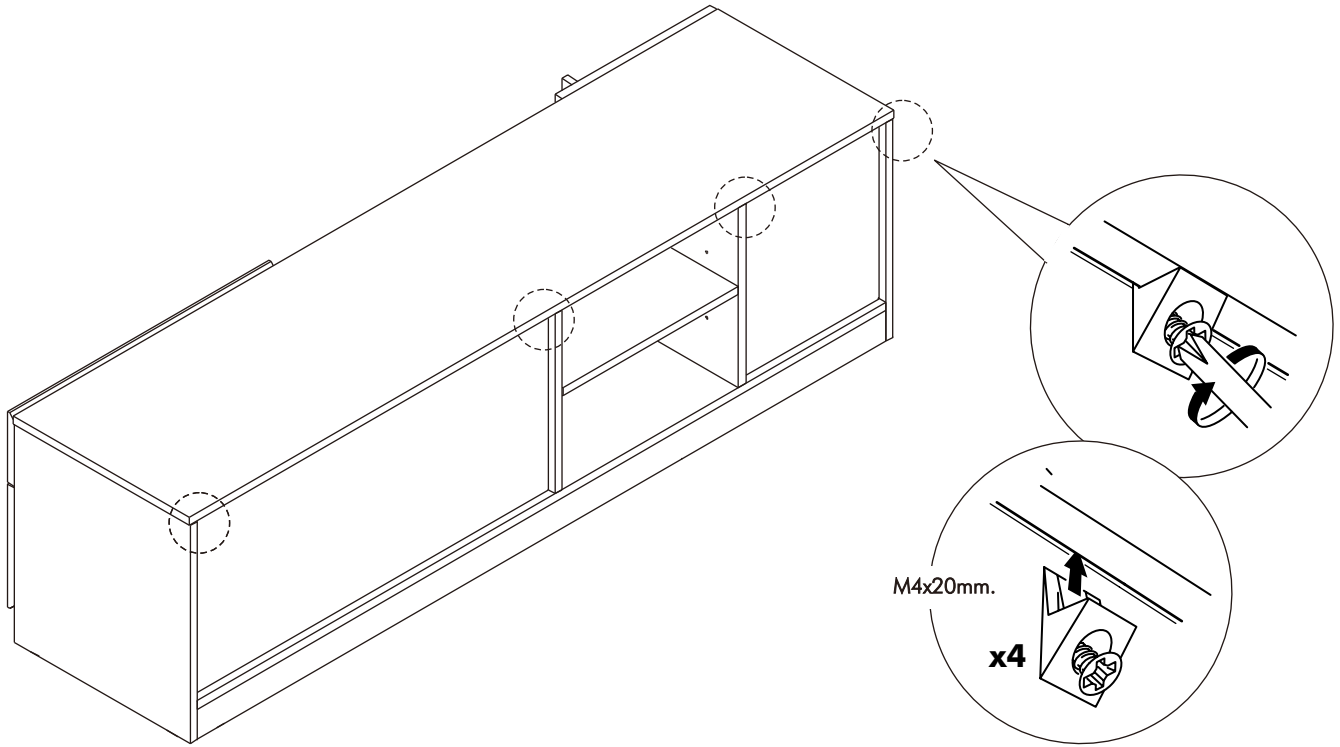
**7.**



**8.**



9.



**i**

AFTER FINISHED ASSEMBLY.

INCASE OF GAP BETWEEN DRAWERS ARE NOT ALIGN.  
PLEASE ADJUST AS BELOW.  
1. LOOSE SCREW A LITTLE BIT.  
2. THEN MOVE FRONT DRAWER TO ALIGNMENT POSITION.  
3. TIGHTEN SCREW.