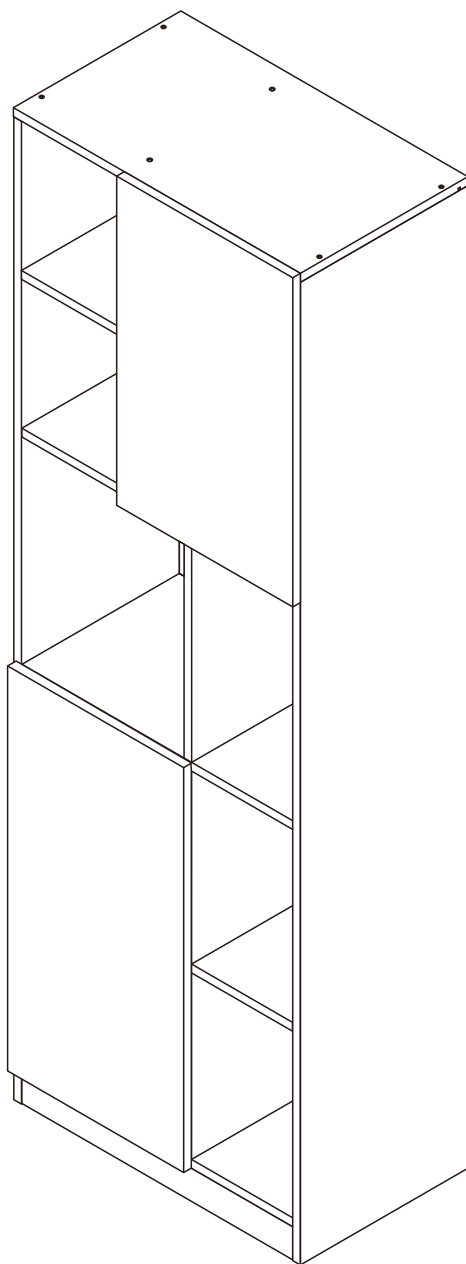


HARSH-P

High Cabinet 60 cm.



CONNECT SYSTEM

1

3

2

(Connecting bolts)

WHEN FITTING CAMS
ENSURE STARTING POSITION IS CORRECT
BEFORE YOU INSERT CONNECTING BOLT
TURN CLOCKWISE UNTIL SECURE

✓

↑

CORRECT

✗

↓

WRONG

EQ **EQ**

1 Pc.

≤ 190mm.

40mm. 40mm.

2 Pcs.

≥ 191-850mm.

100mm. **EQ** **EQ** 100mm.

3 Pcs.

> 850-2000mm.

100mm. **EQ** **EQ** **EQ** 100mm.

4 Pcs.

> 2001mm.

i

40mm.

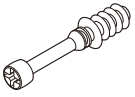
M4x16mm.

i

DOOR PANEL

HARDWARE

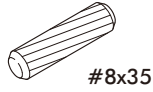
-BODY SET



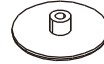
x 22



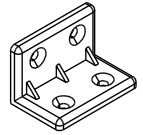
x 22



x 36



x 2



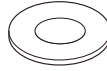
x 4



x 10



x 8



x 2



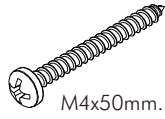
x 33



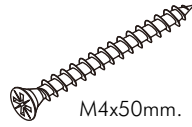
x 2



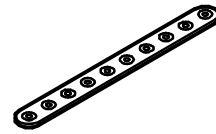
x 10



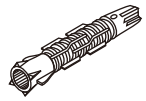
x 5



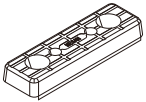
x 10



x 1

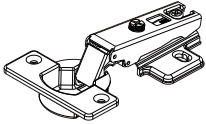


x 1



x 8

-DOOR SET



x 4



x 16

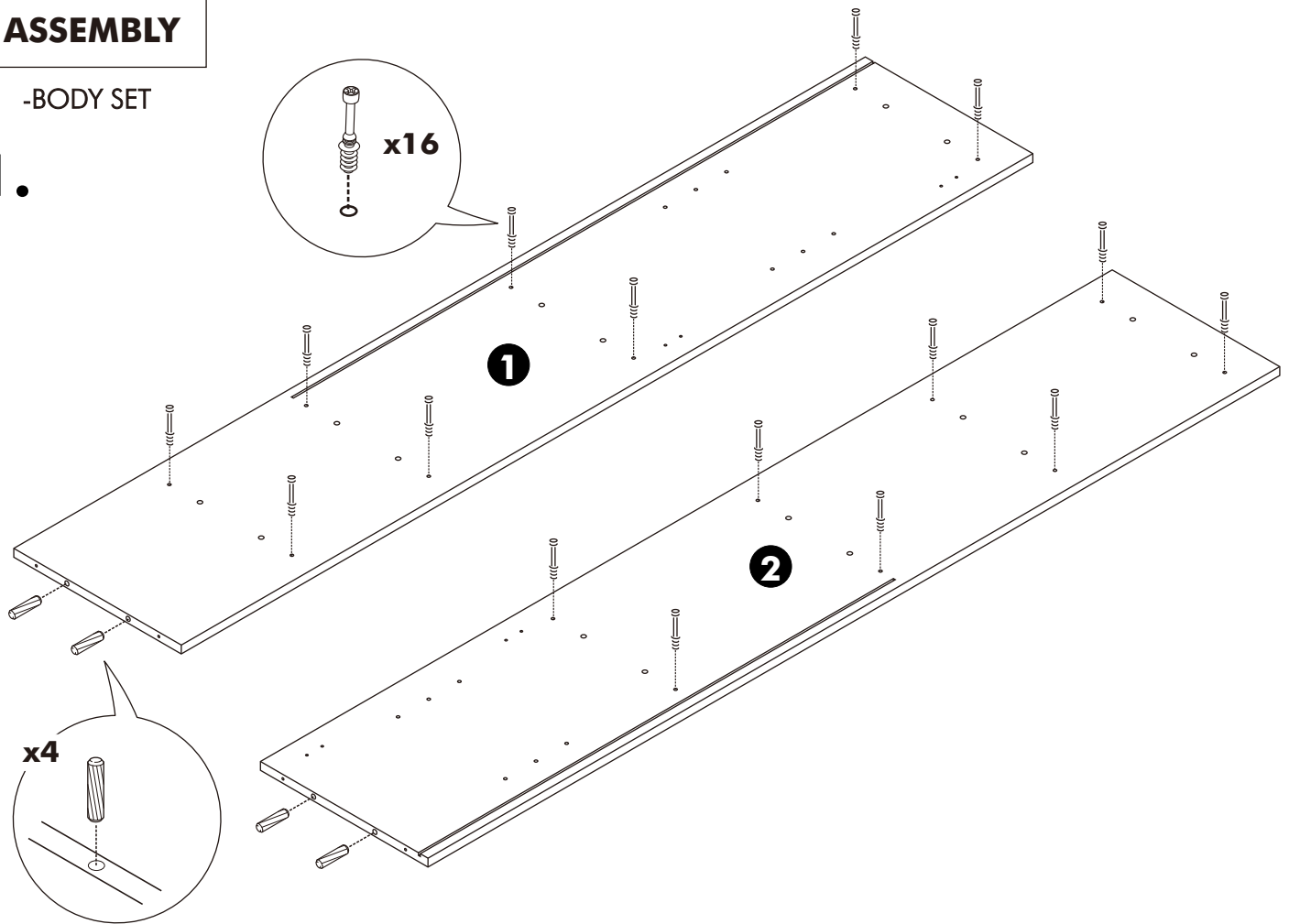


x 4

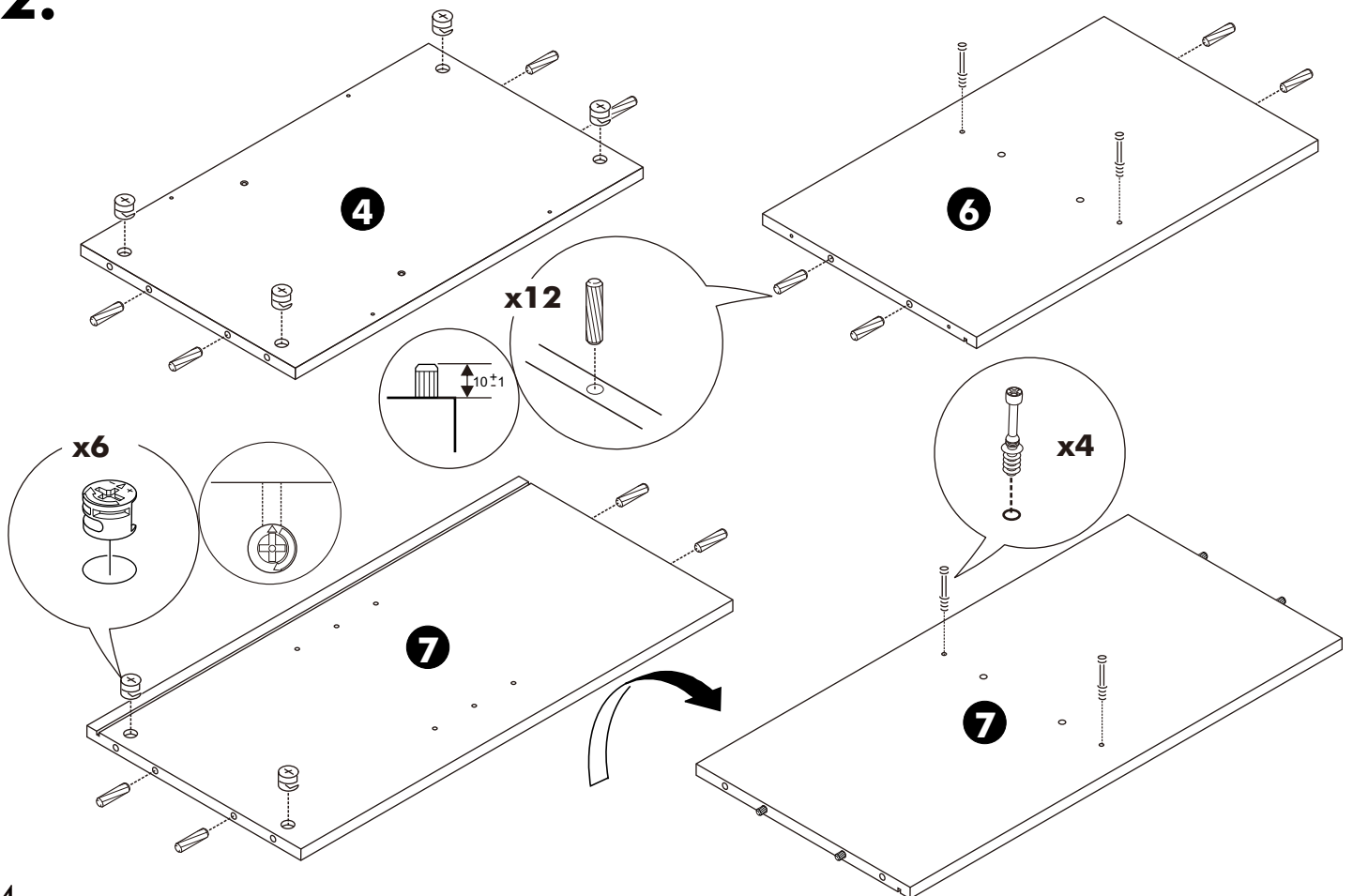
ASSEMBLY

-BODY SET

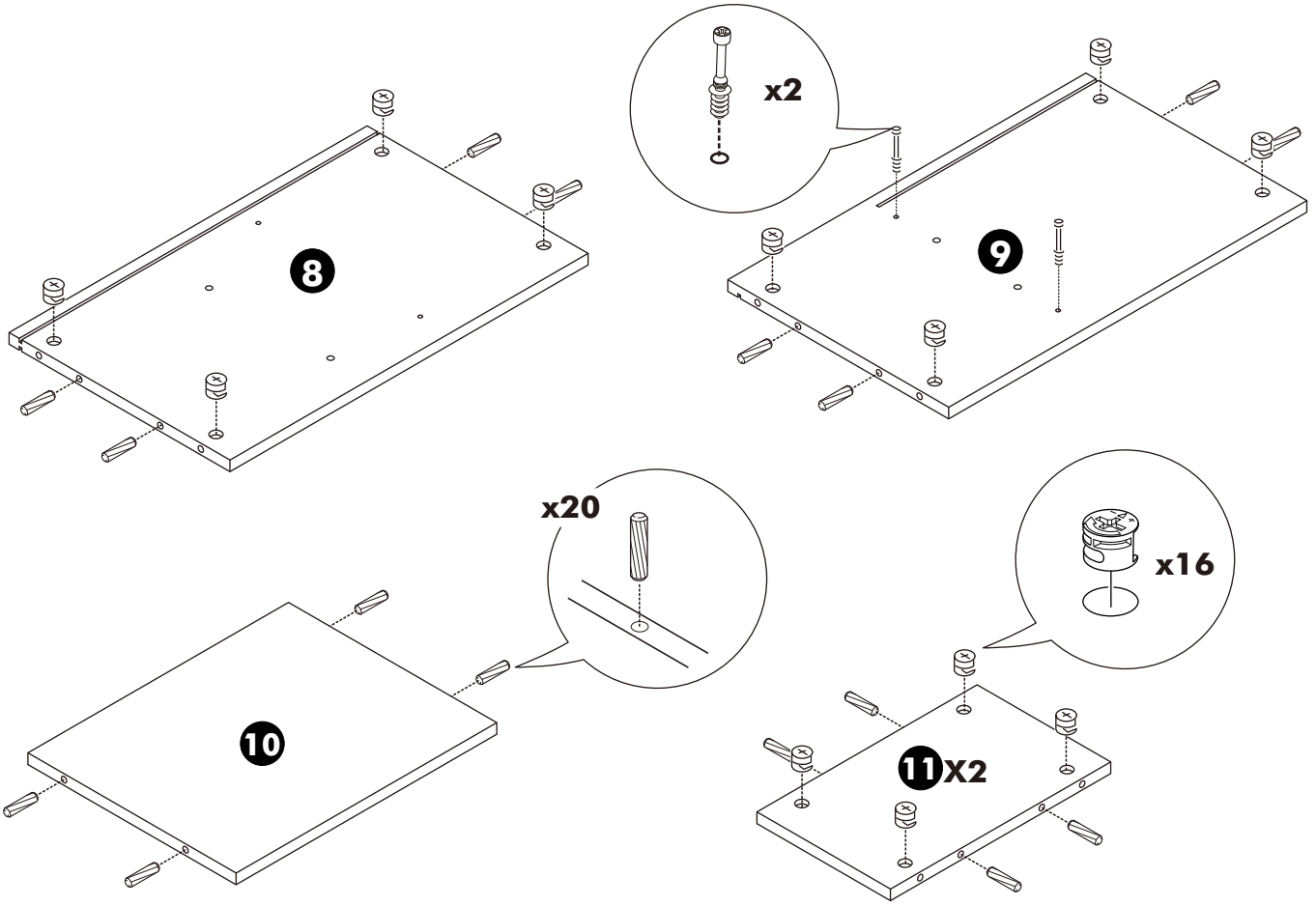
1.



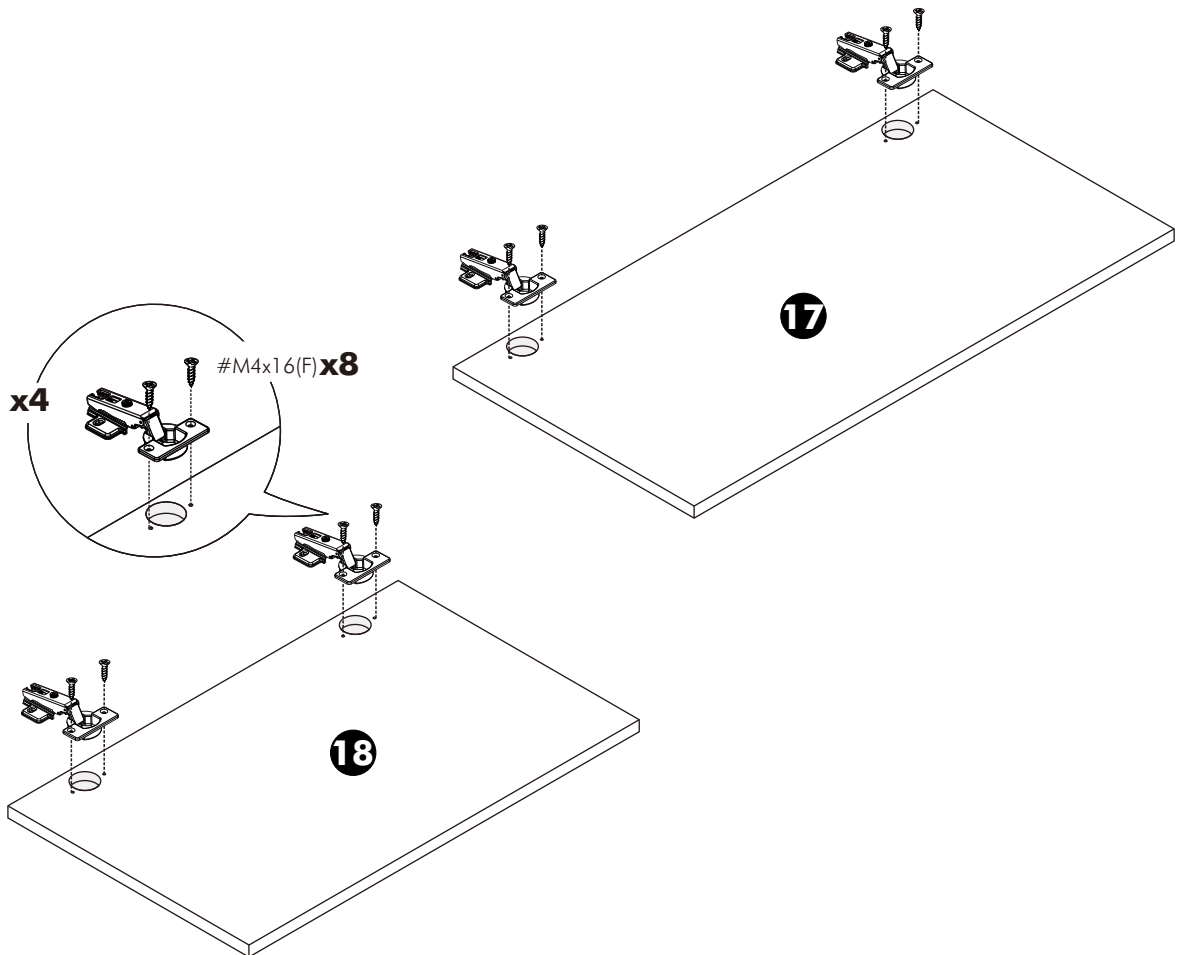
2.



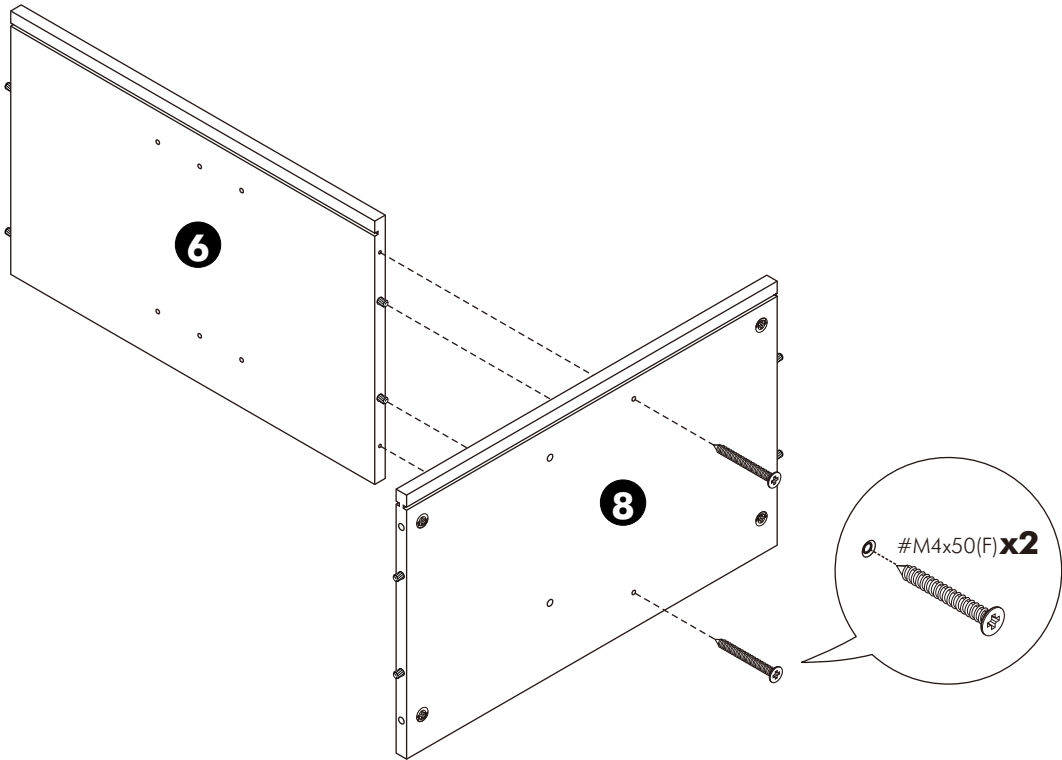
3.



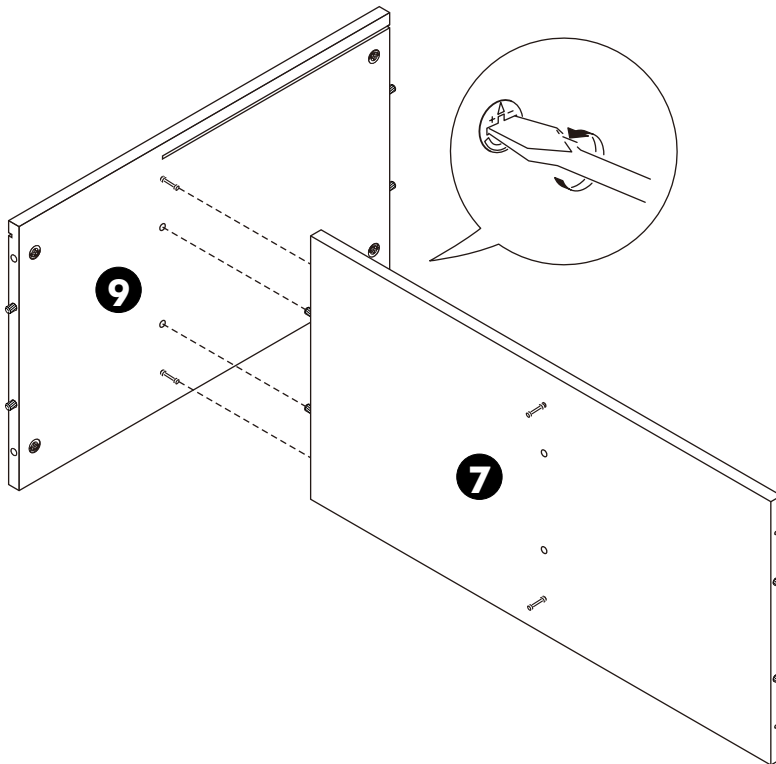
4.



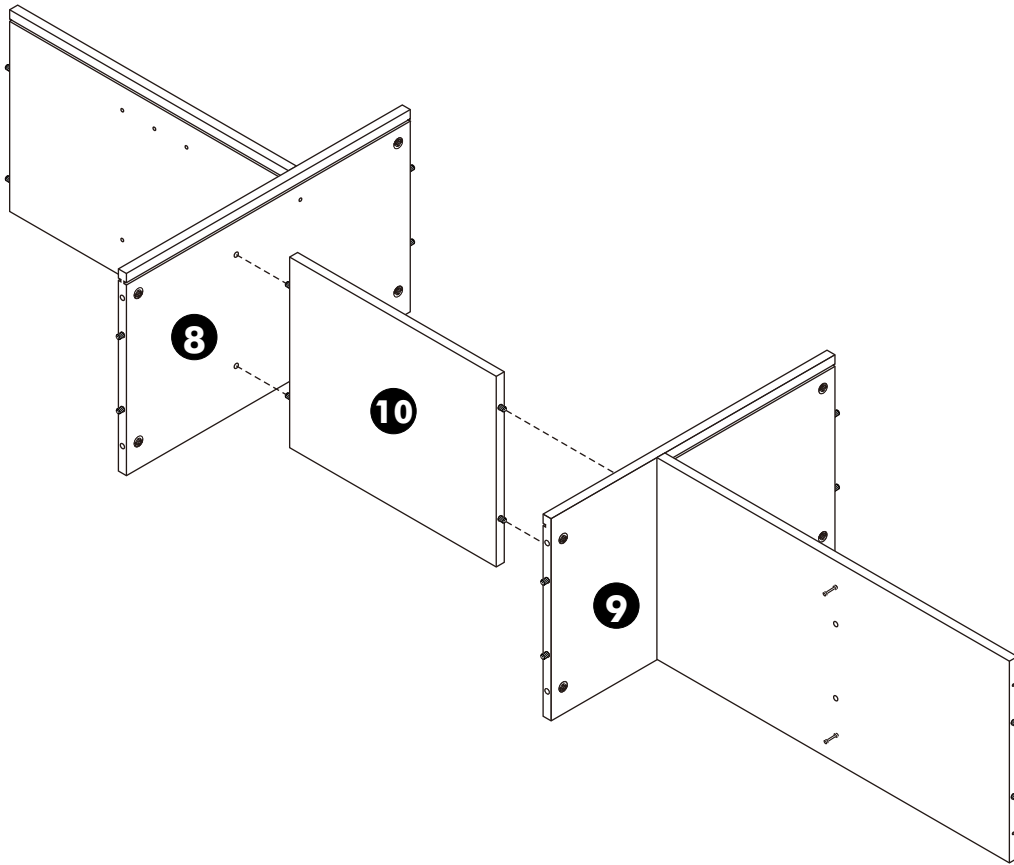
5.



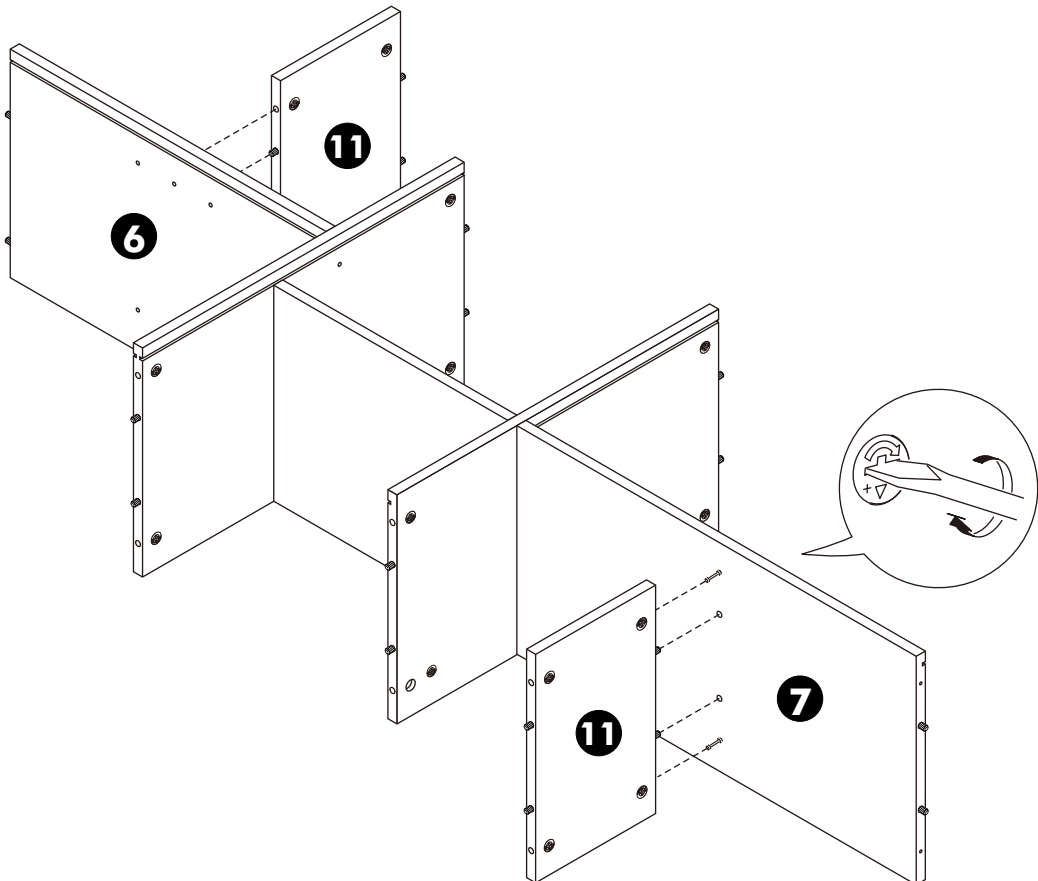
6.



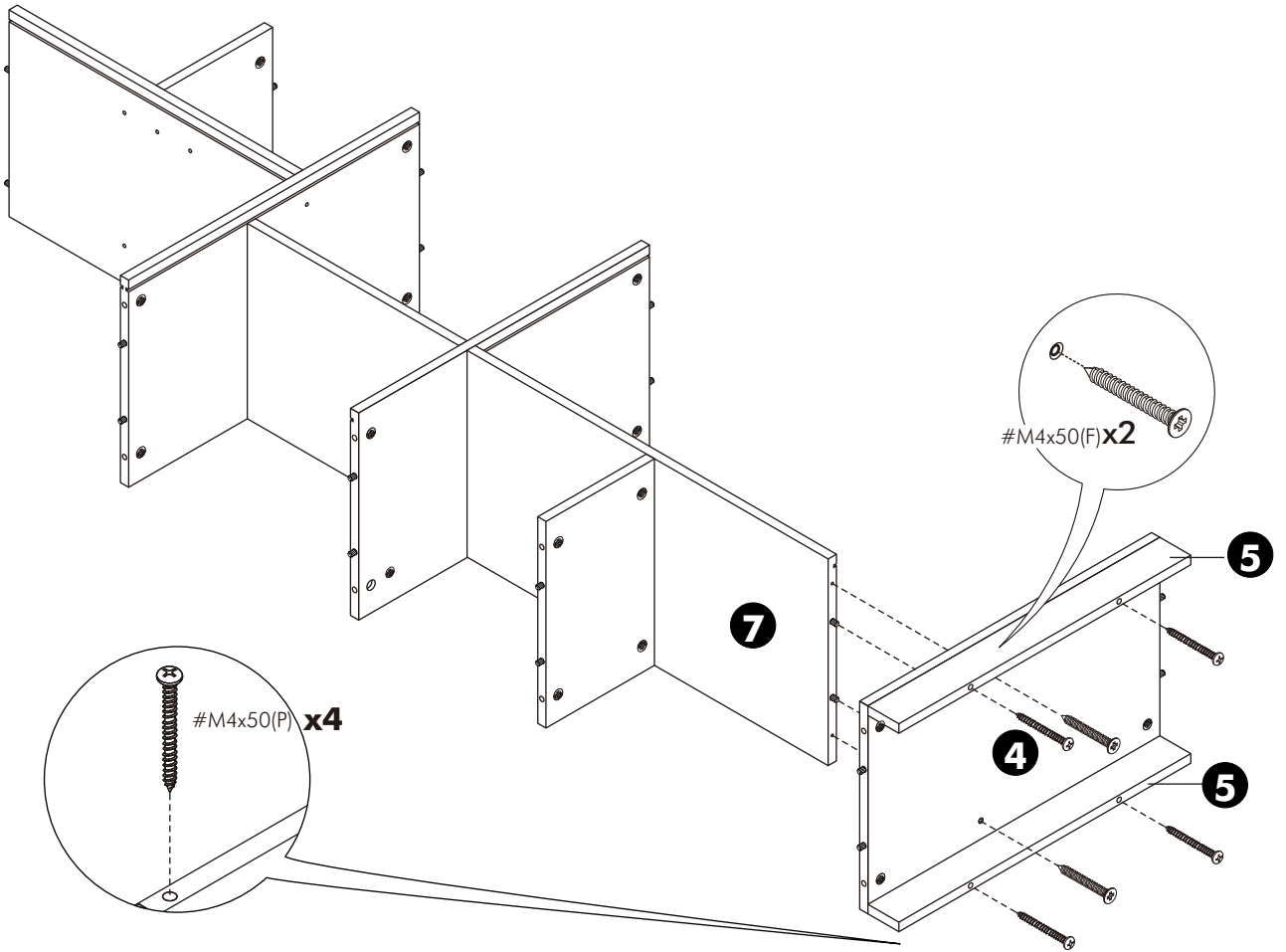
7.



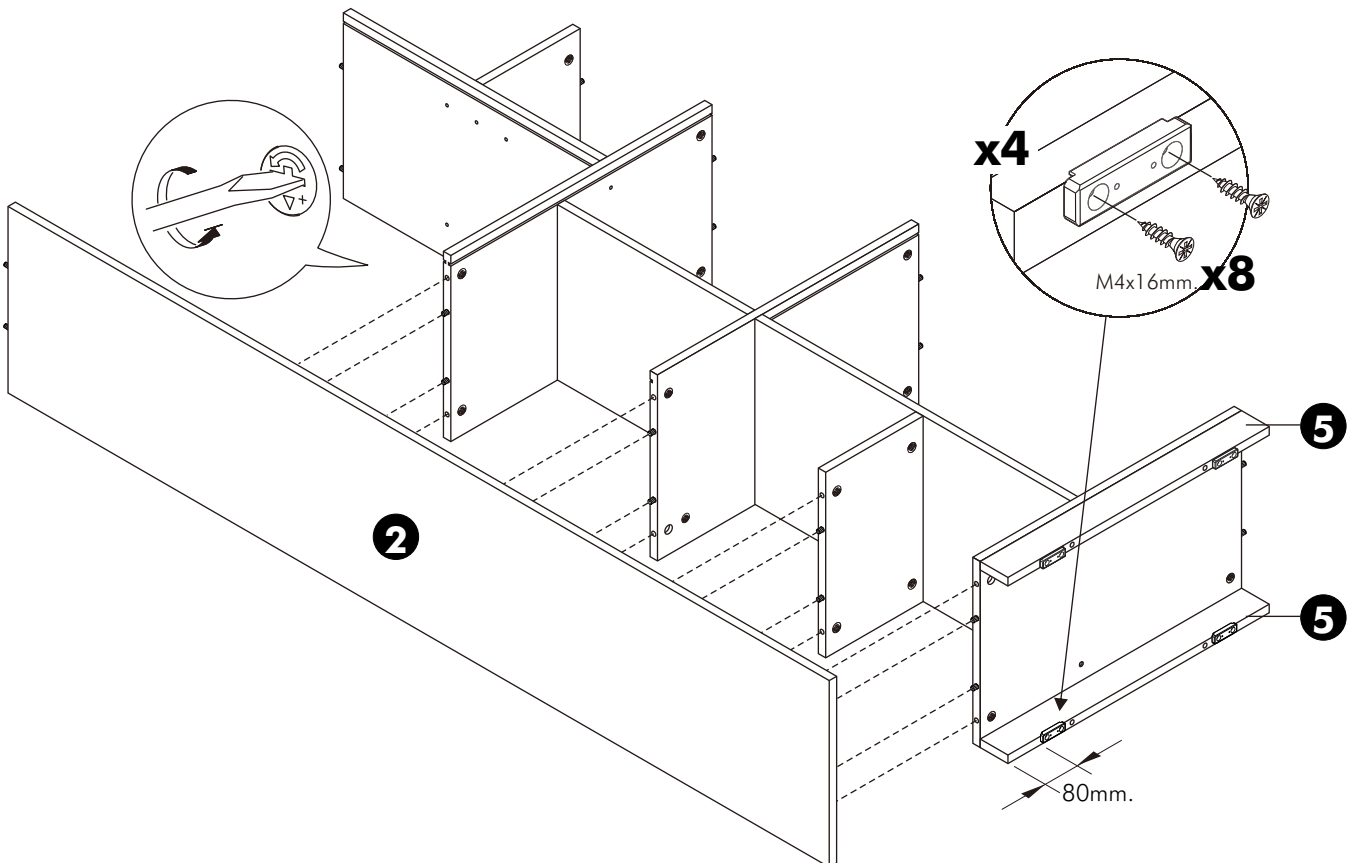
8.



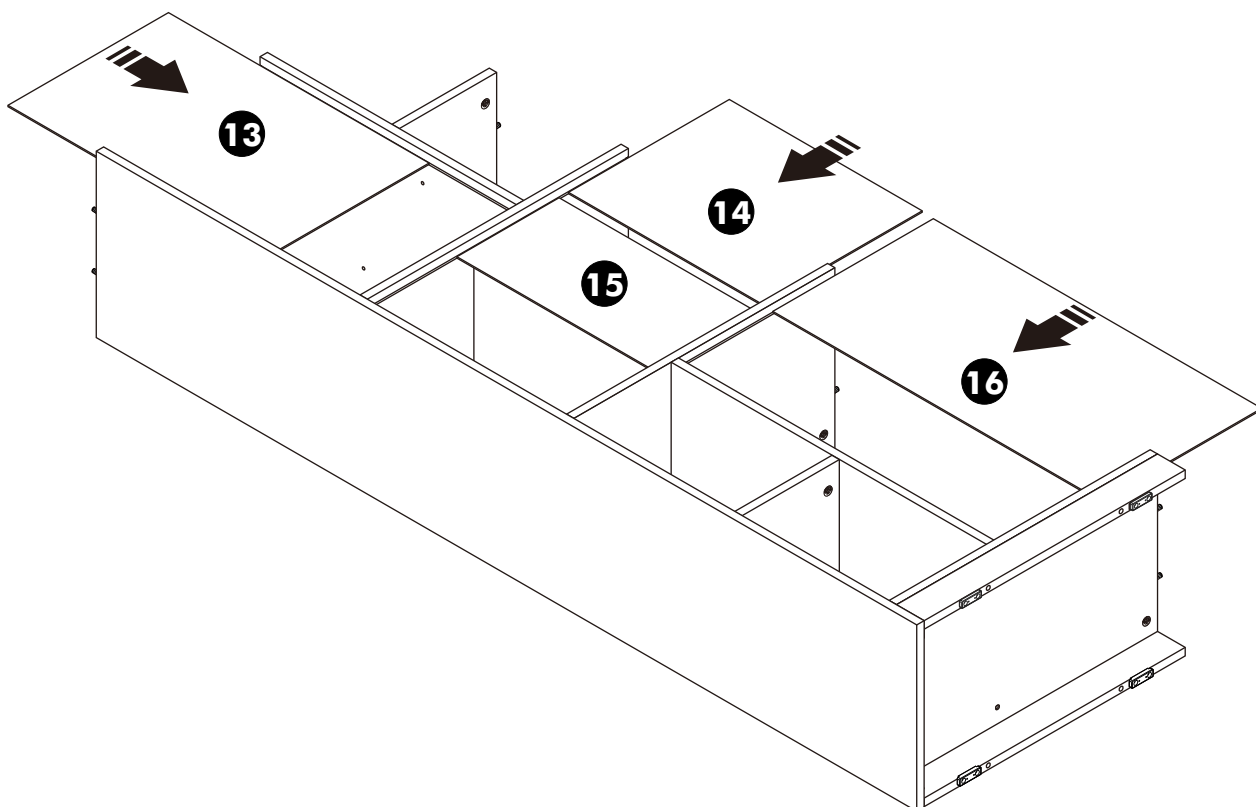
9.



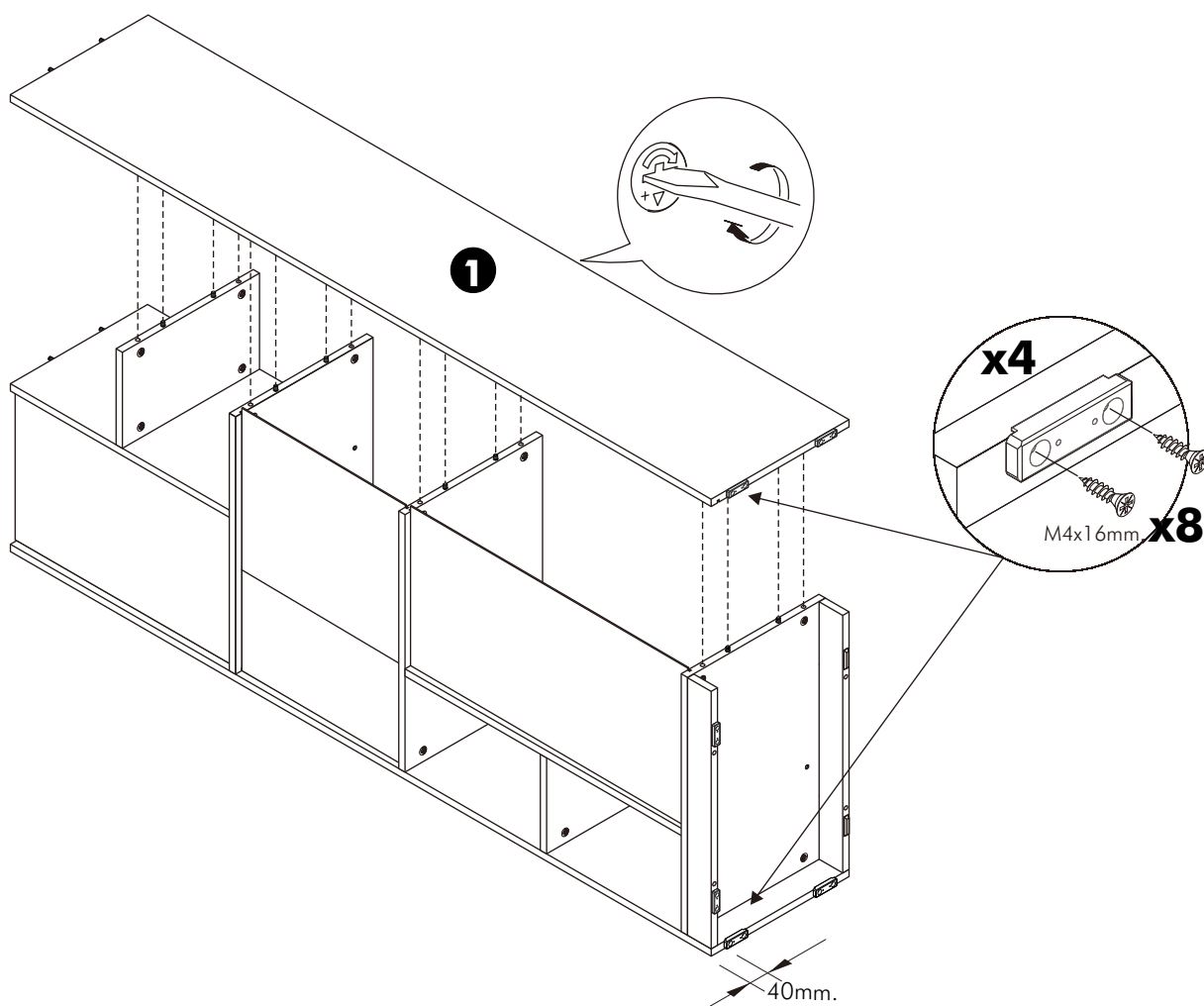
10.



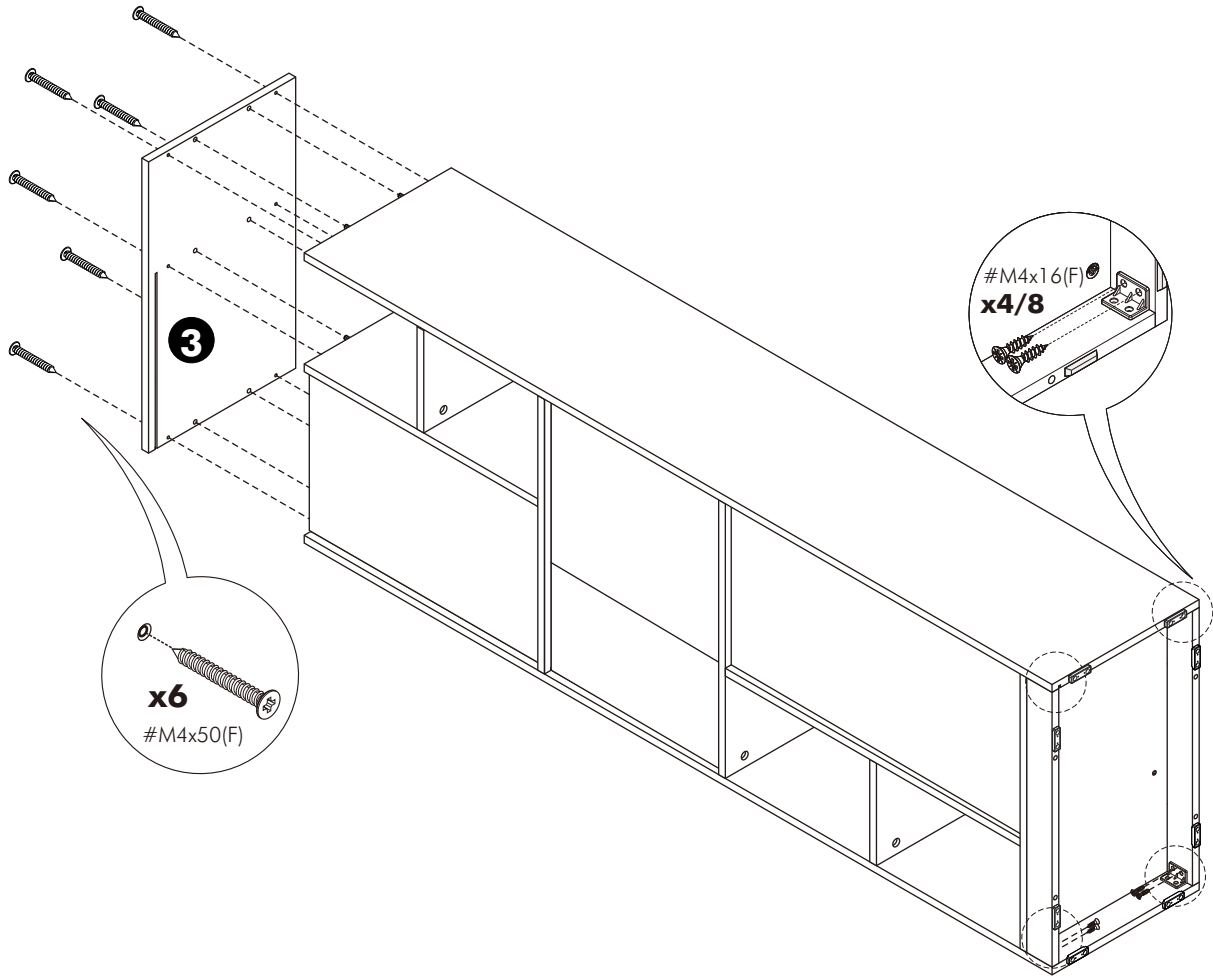
11.



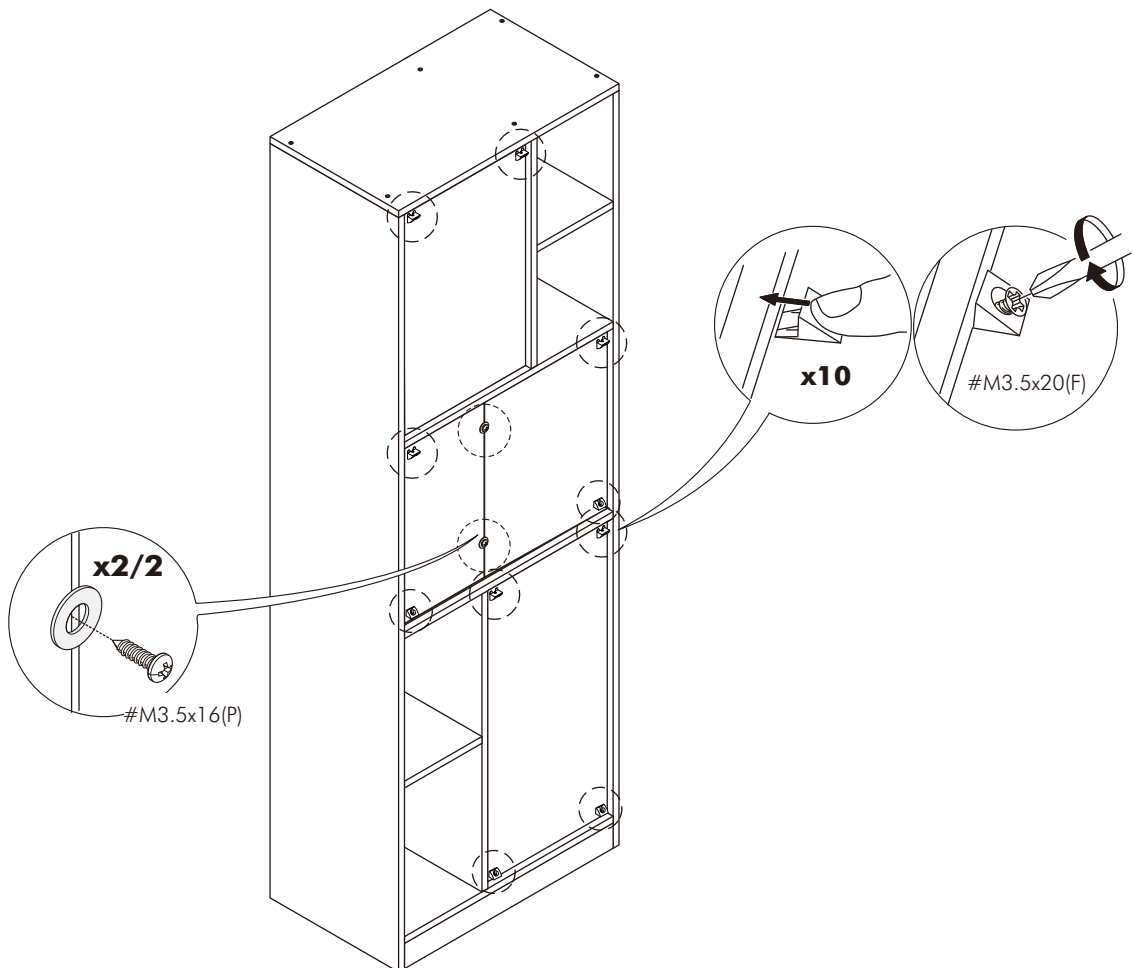
12.



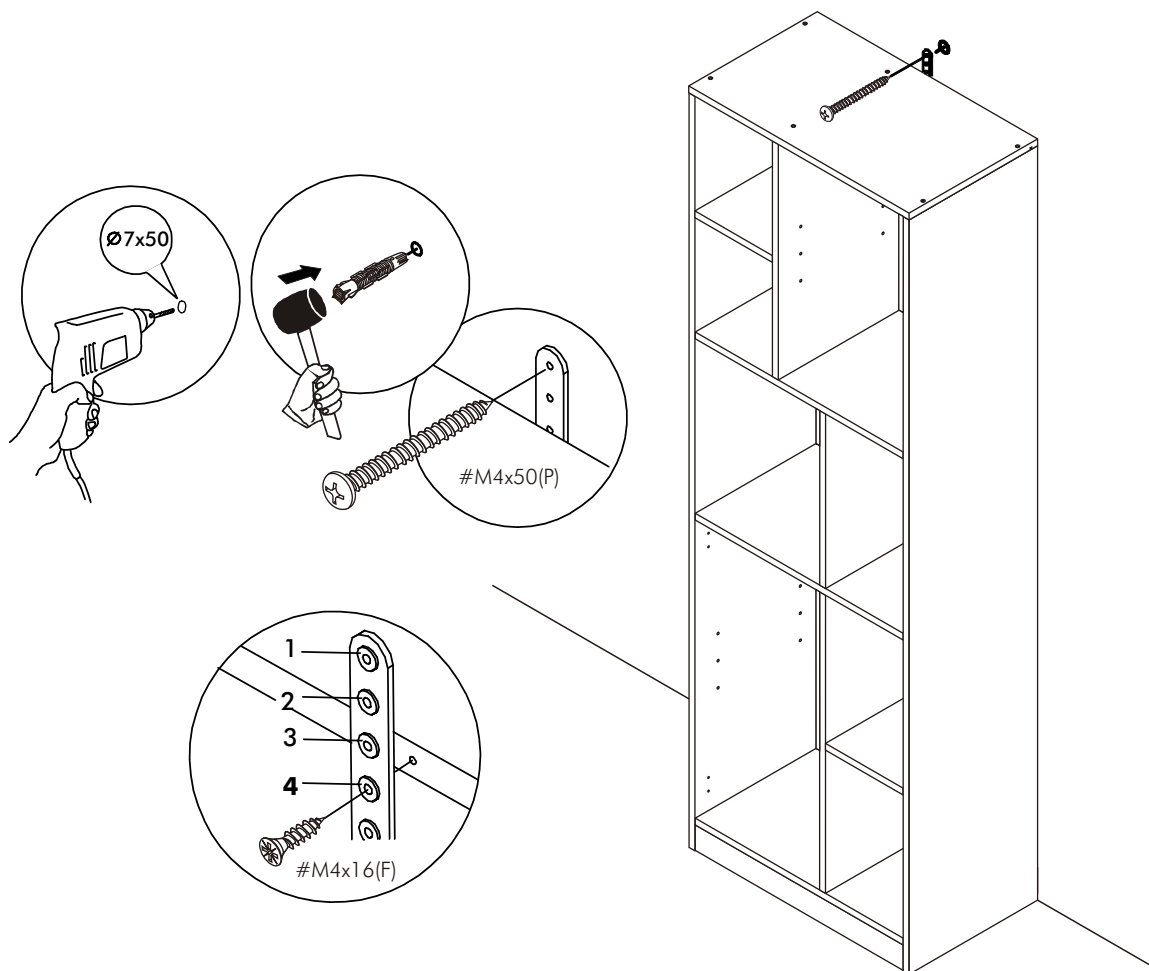
13.



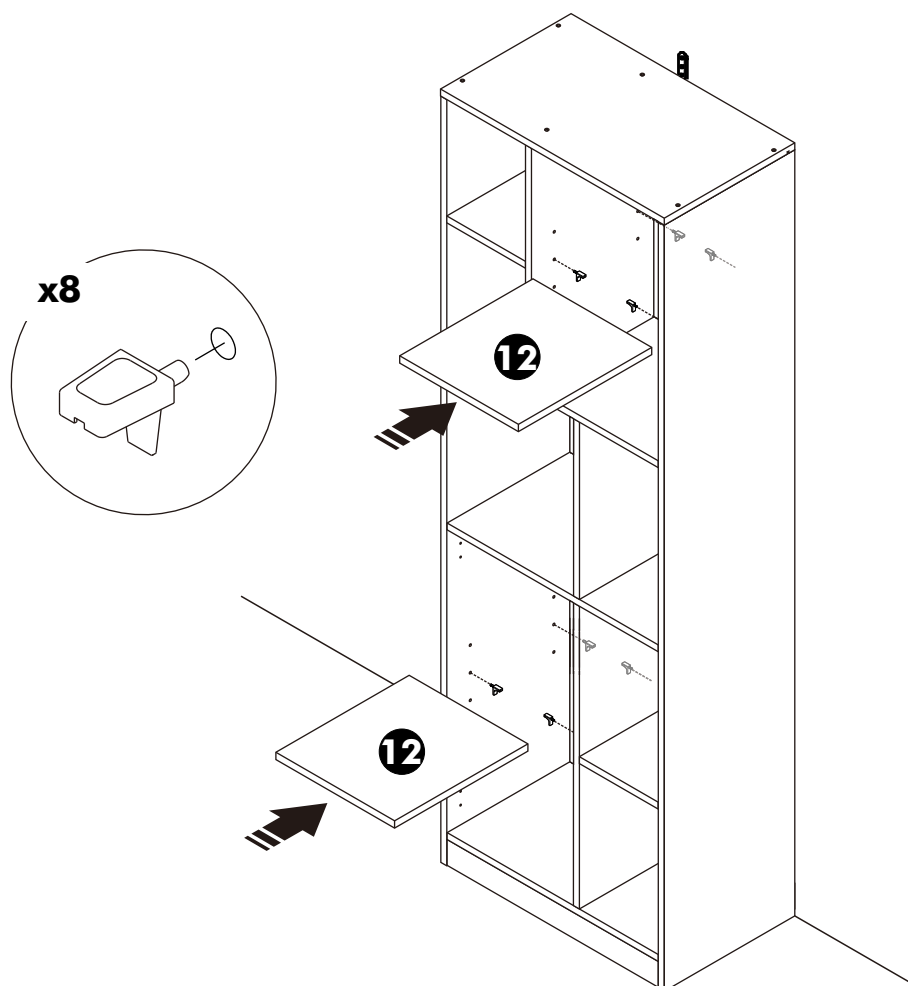
14.



15.



16.



17.

