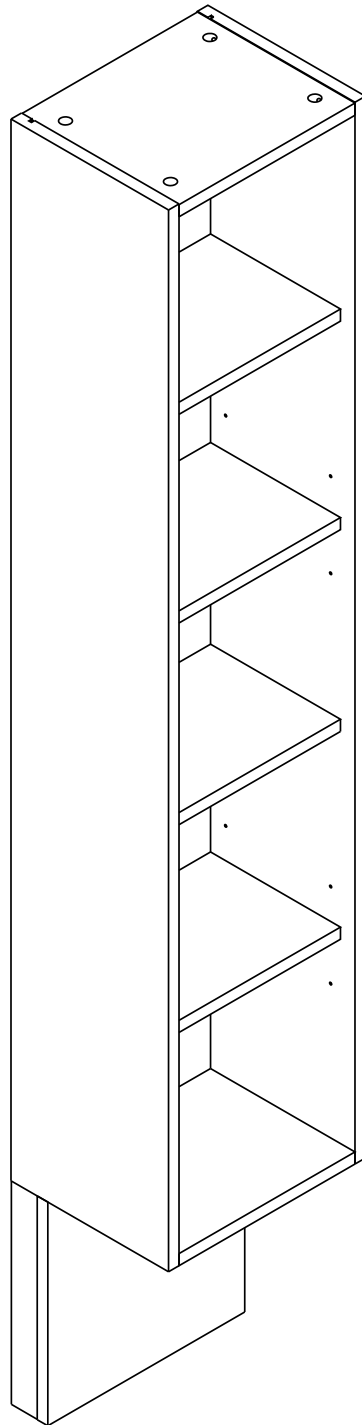


# URBANO-P

Wall shelf 30 cm.



# CONNECT SYSTEM

**1**

**2**

(Connecting bolts)

**3**

WHEN FITTING CAMS  
ENSURE STARTING POSITION IS CORRECT  
BEFORE YOU INSERT CONNECTING BOLT  
TURN CLOCKWISE UNTIL SECURE

✓

**CORRECT**

✗

**WRONG**

**1 Pc.**

EQ EQ

≤ 190mm.

**2 Pcs.**

40mm. 40mm.

≥ 191-850mm.

**3 Pcs.**

100mm. EQ EQ 100mm.

> 850-2000mm.

**4 Pcs.**

100mm. EQ EQ EQ 100mm.

> 2001mm.

M4x16mm.

OUT

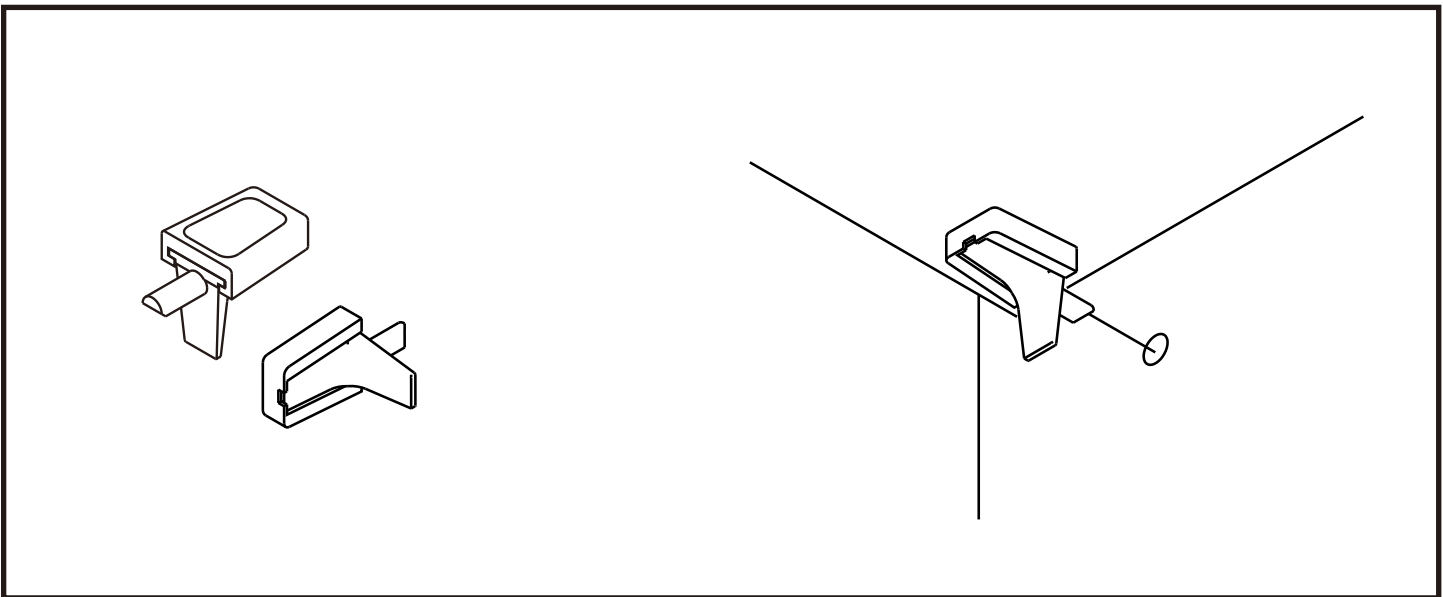
IN

**i**

40mm.

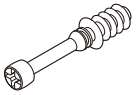
---

EQ



# HARDWARE

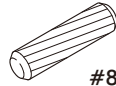
## -BODY SET



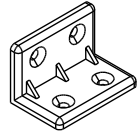
**x 12**



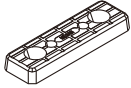
**x 12**



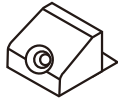
#8x35  
**x 29**



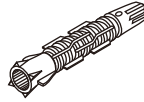
**x 2**



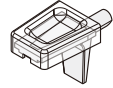
**x 2**



**x 5**



**x 4**



**x 8**



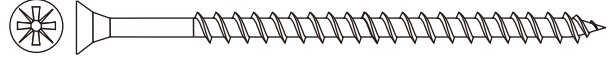
M4x16mm.

**x 12**



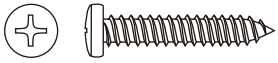
M3.5x20mm.

**x 5**



M5x70mm.

**x 4**



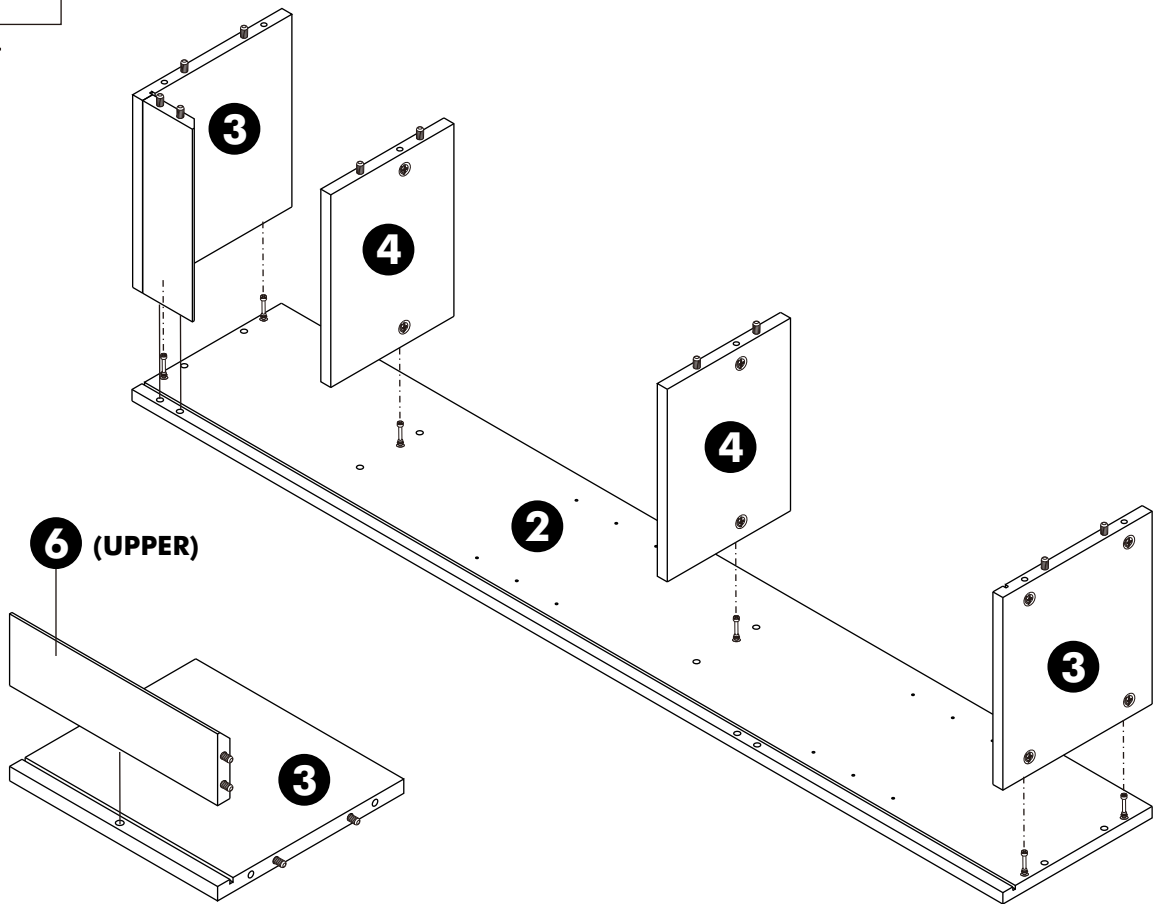
M4x30mm.

**x 12**

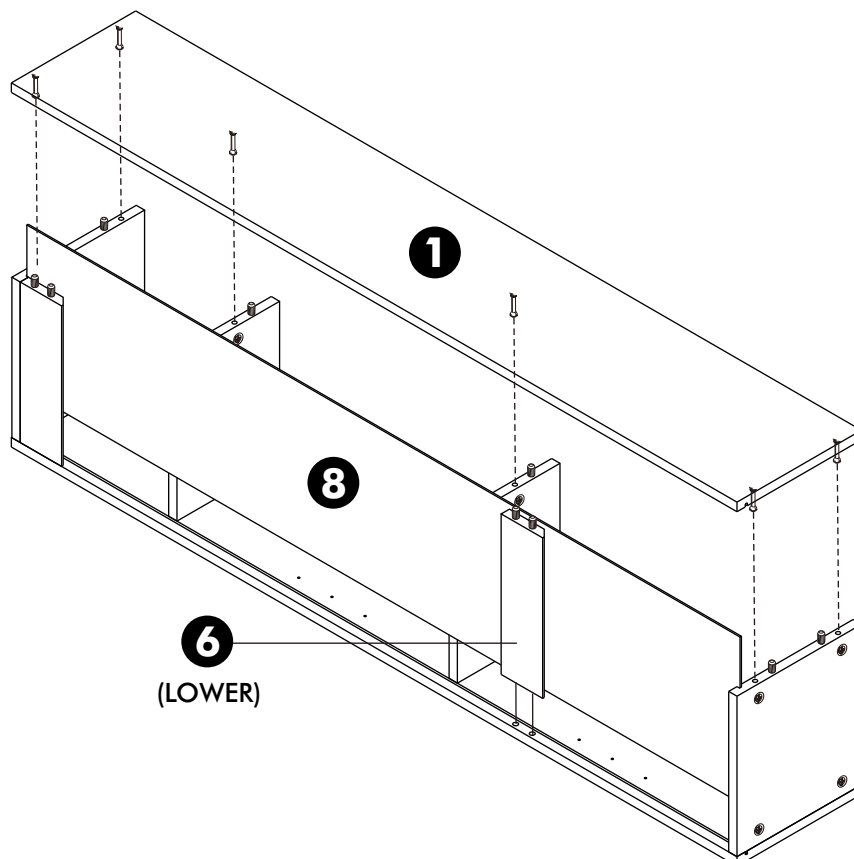
# ASSEMBLY

-BODY SET

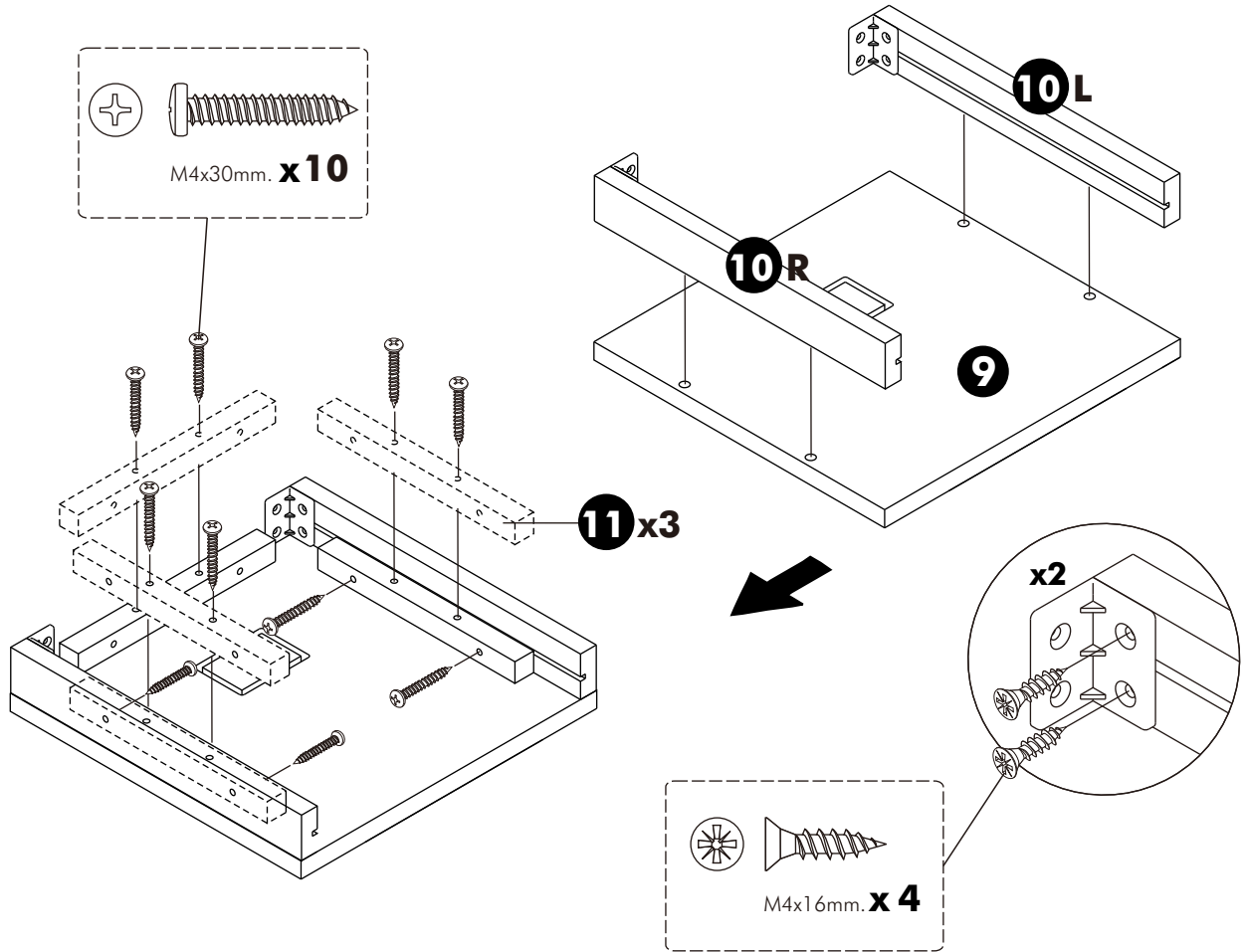
1.



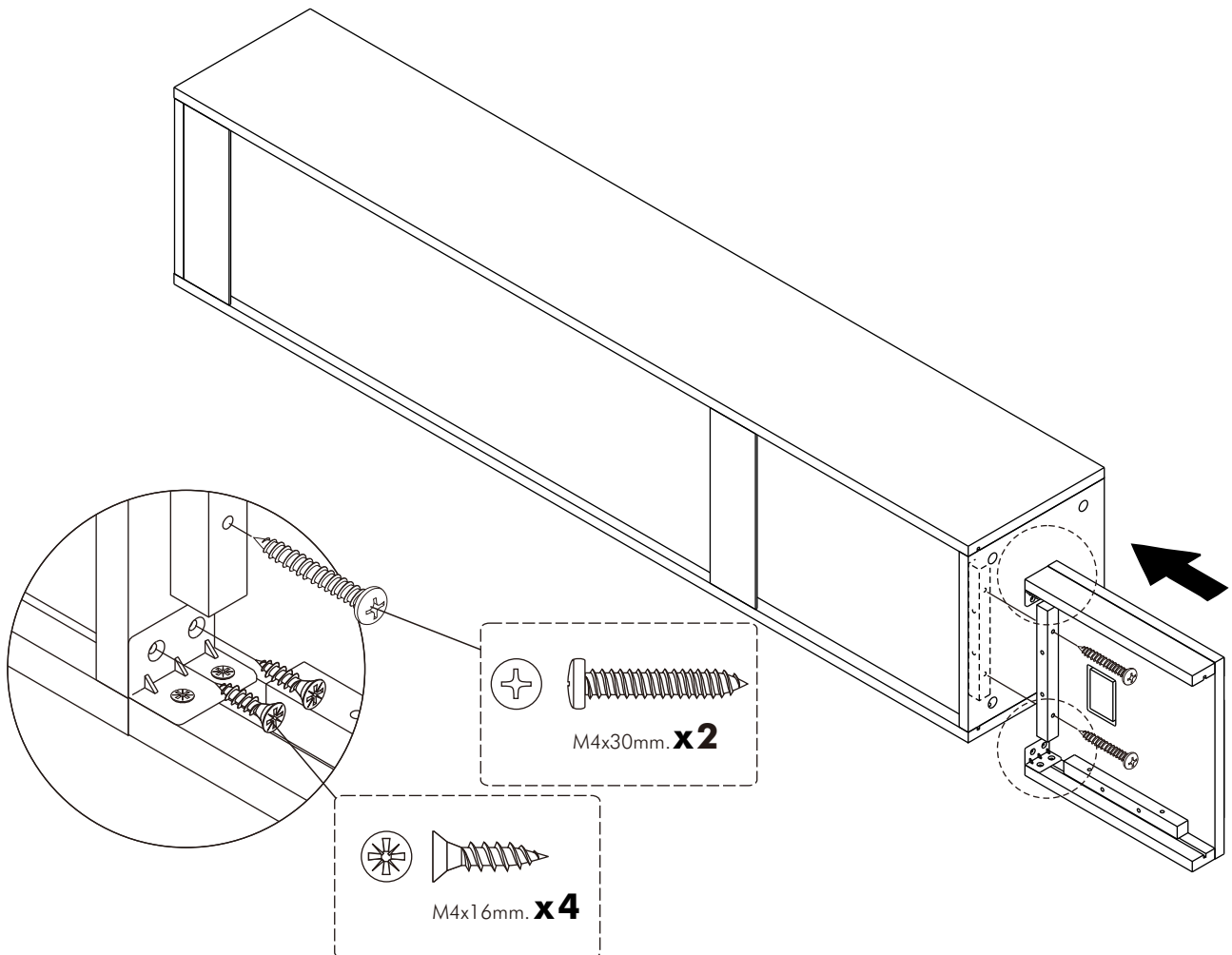
2.



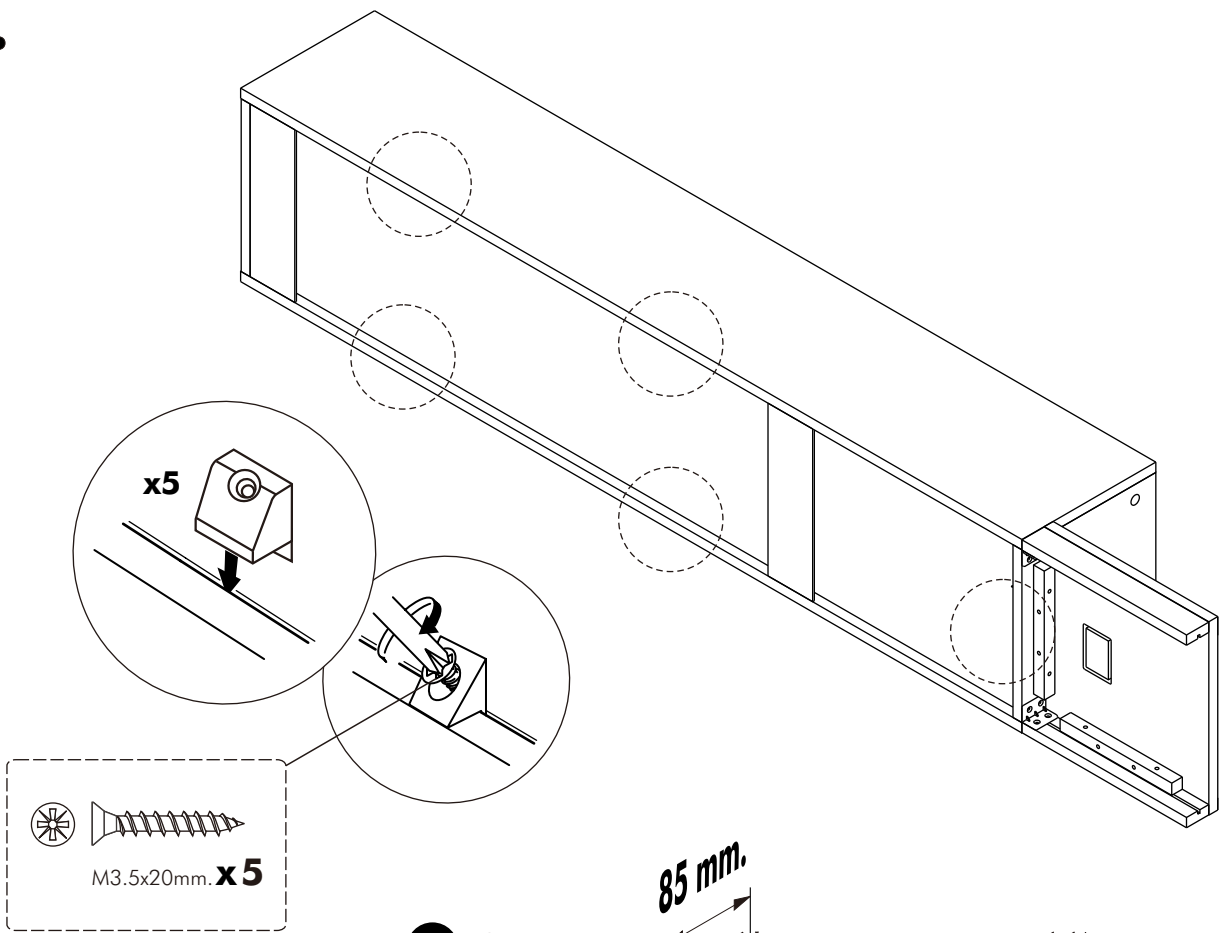
**3.**



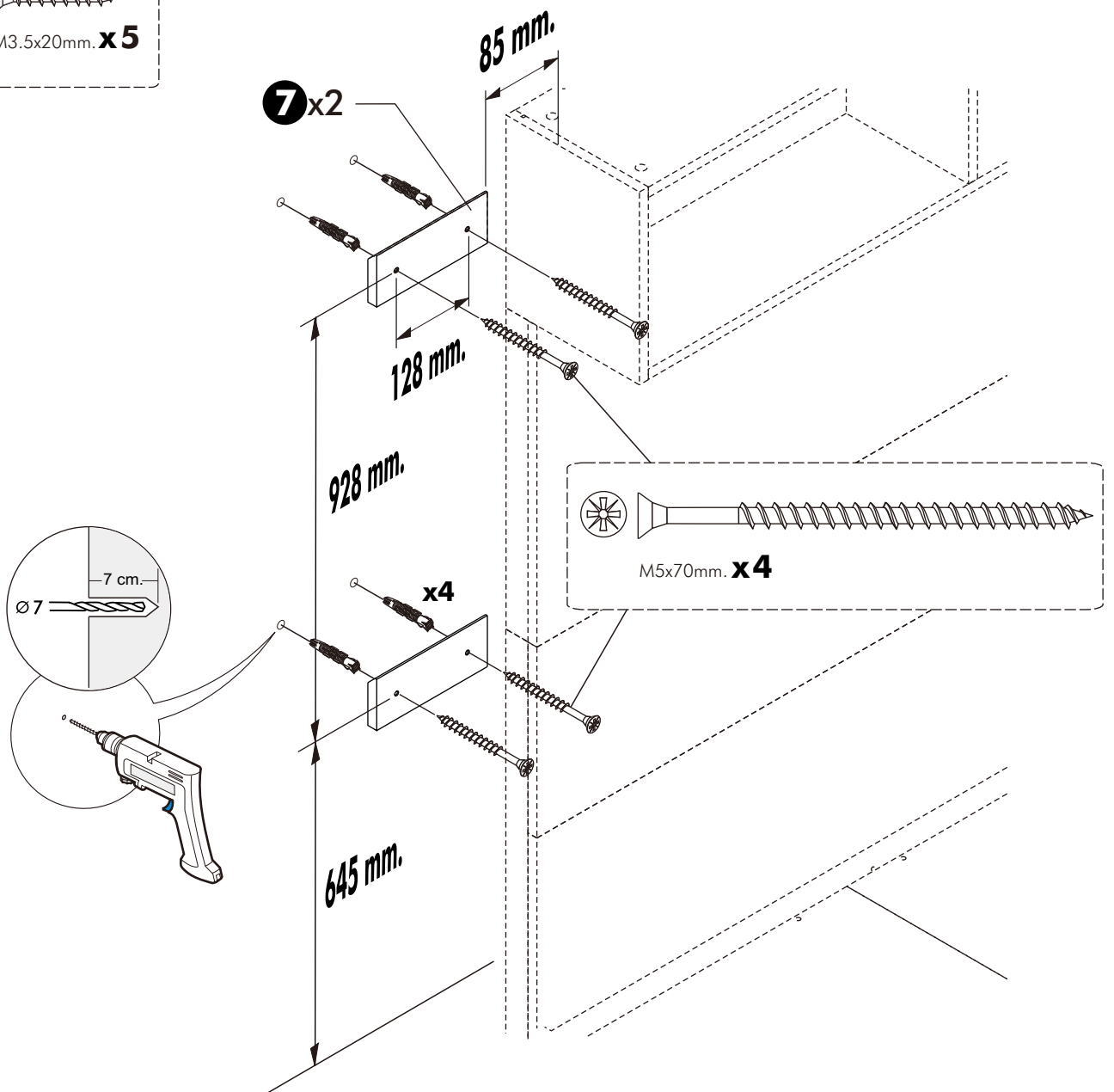
**4.**



5.



6.



**7.**

