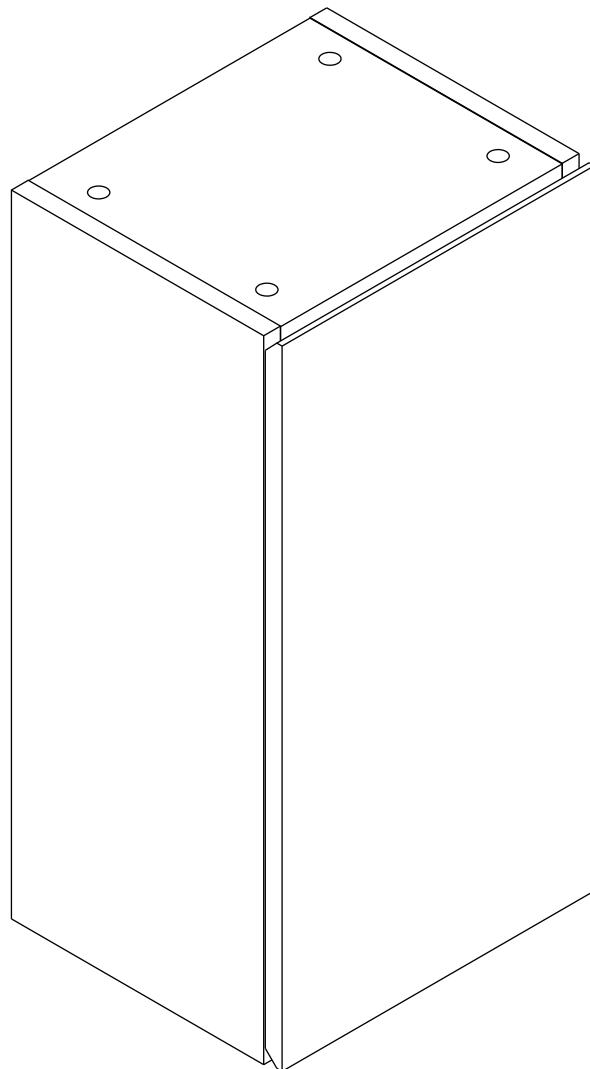
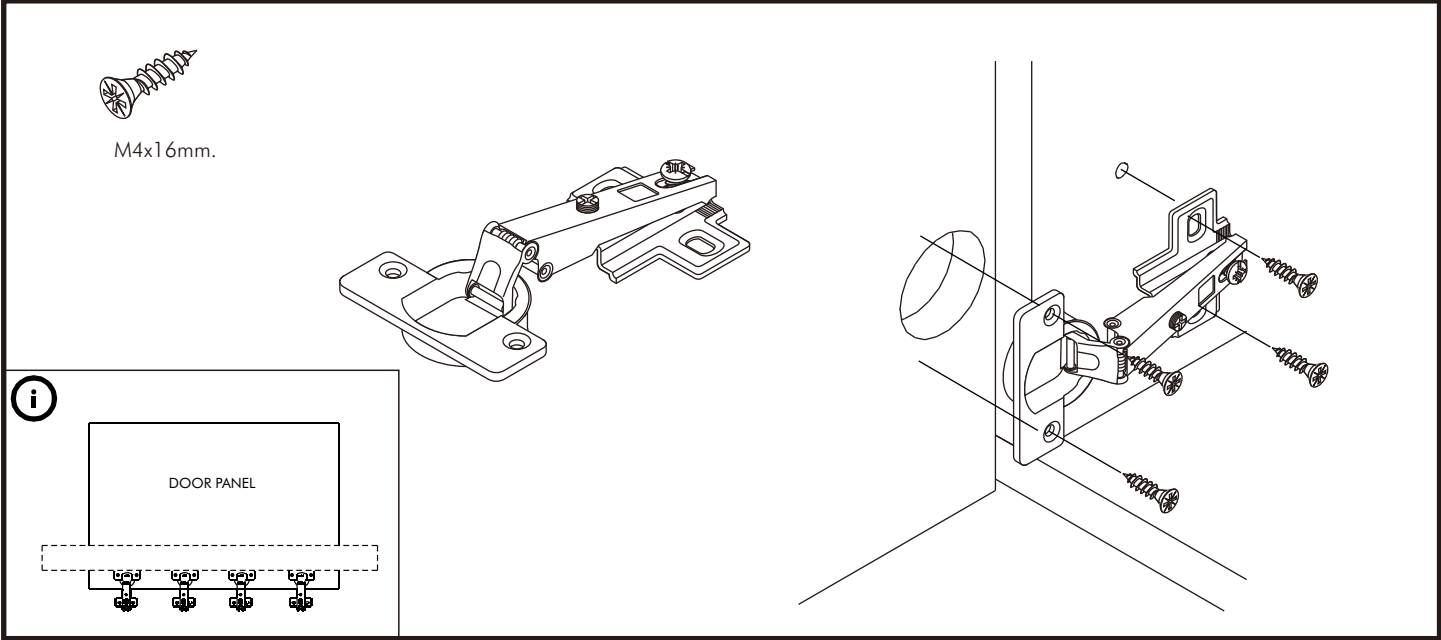
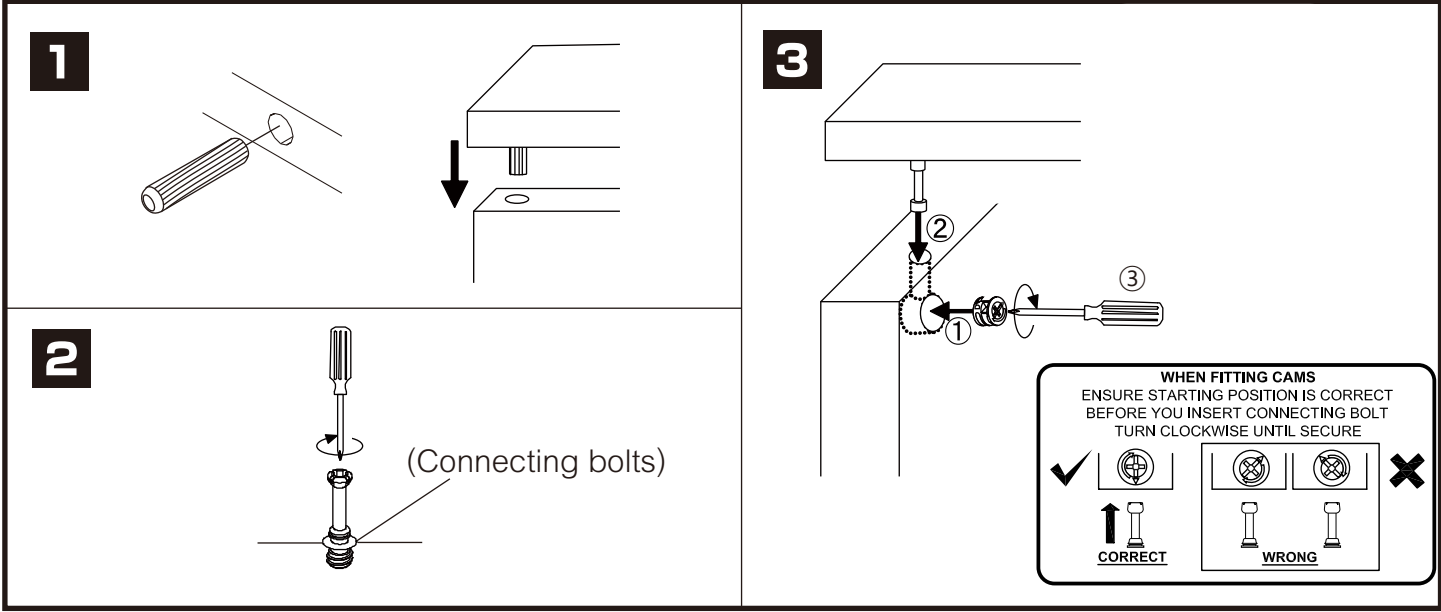


# URBANO-P

**Wall Cabinet 30 cm.**

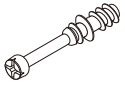


# CONNECT SYSTEM



# HARDWARE

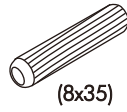
## -BODY SET



**X 8**

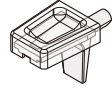


**X 8**

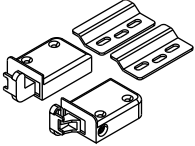


(8x35)

**X 8**



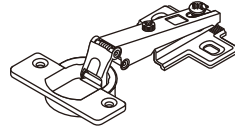
**X 4**



**X 1**



**X 2**



**X 2**



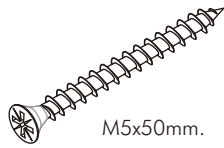
M4x30mm.

**X 4**



M4x16mm.

**X 8**



M5x50mm.

**X 4**

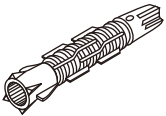


M4x25mm.

**X 3**



**X 1**



**X 4**

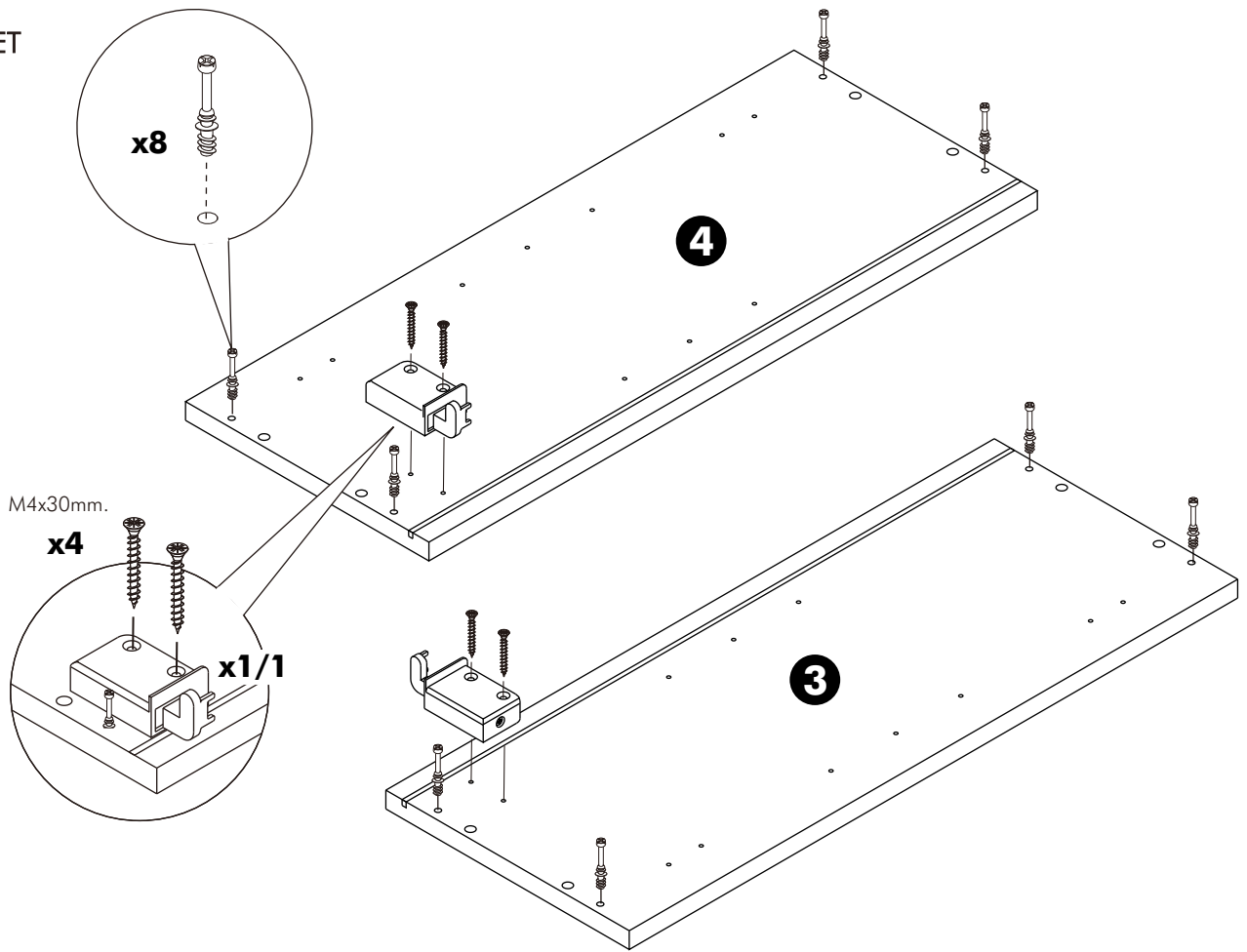


**X 4**

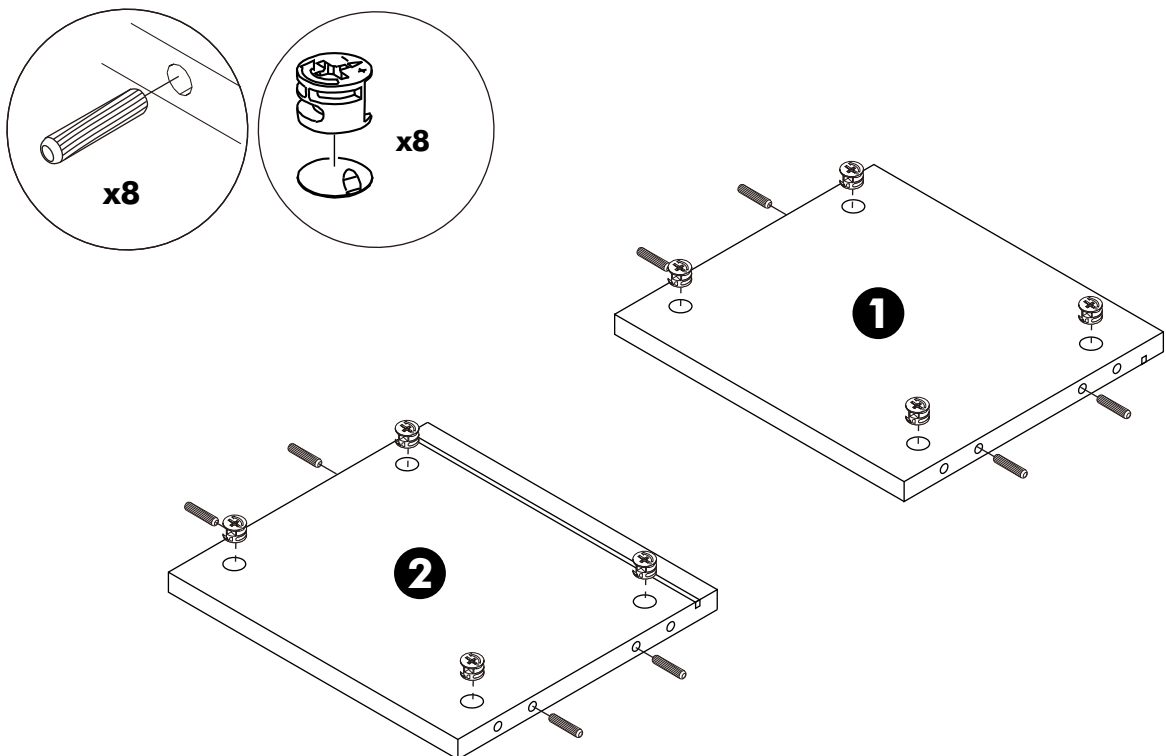
# ASSEMBLY

-BODY SET

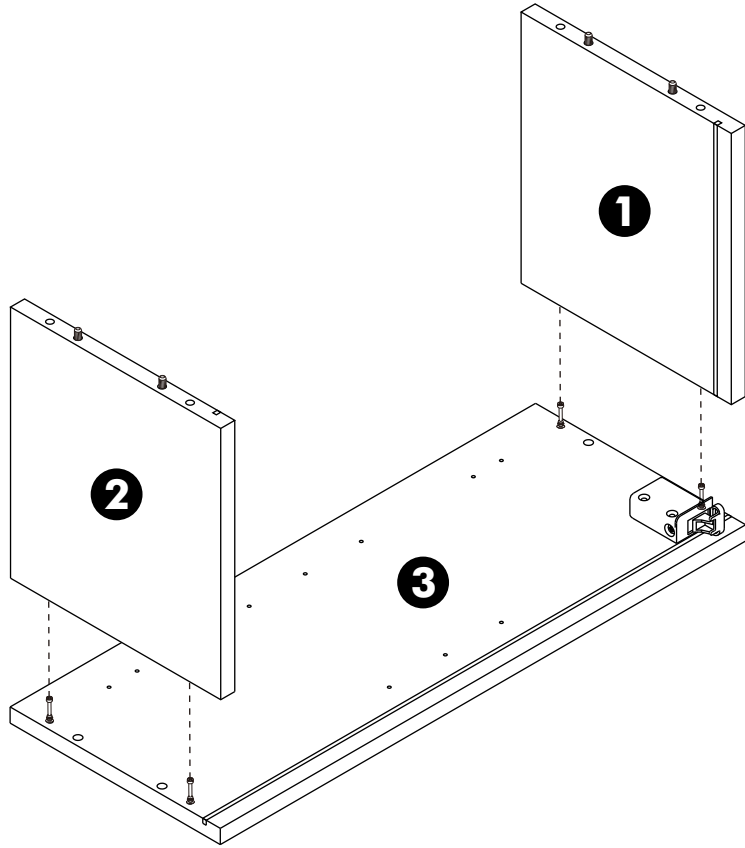
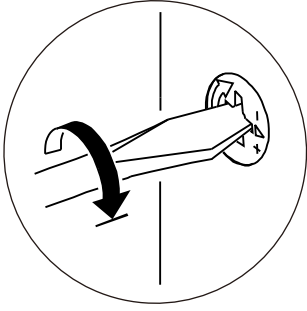
**1.**



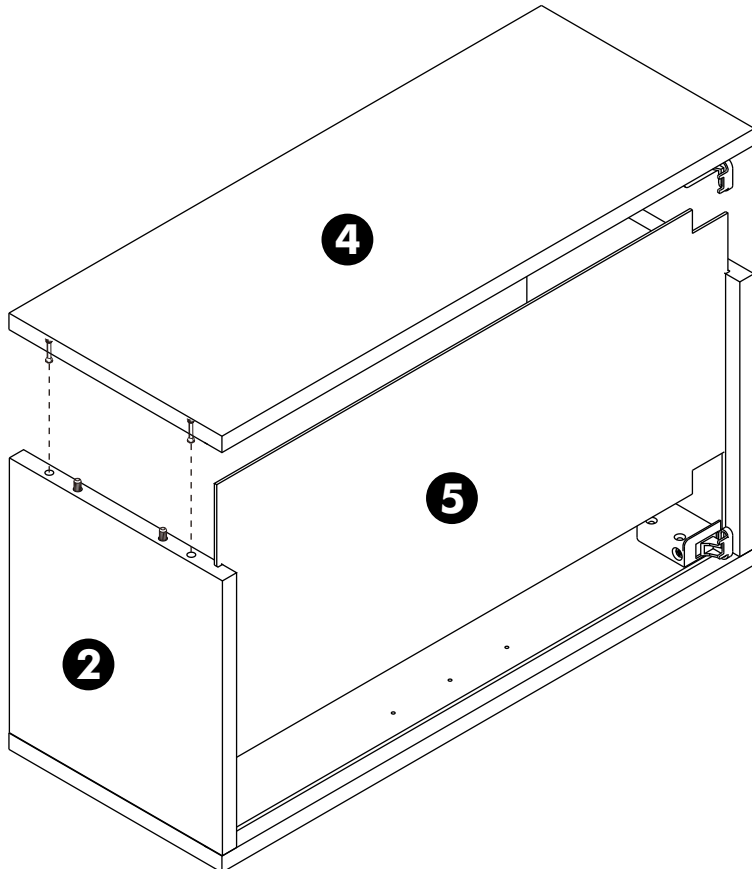
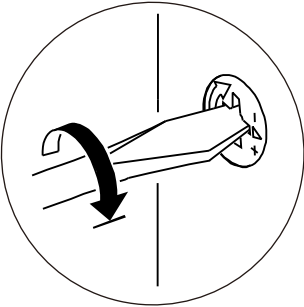
**2.**



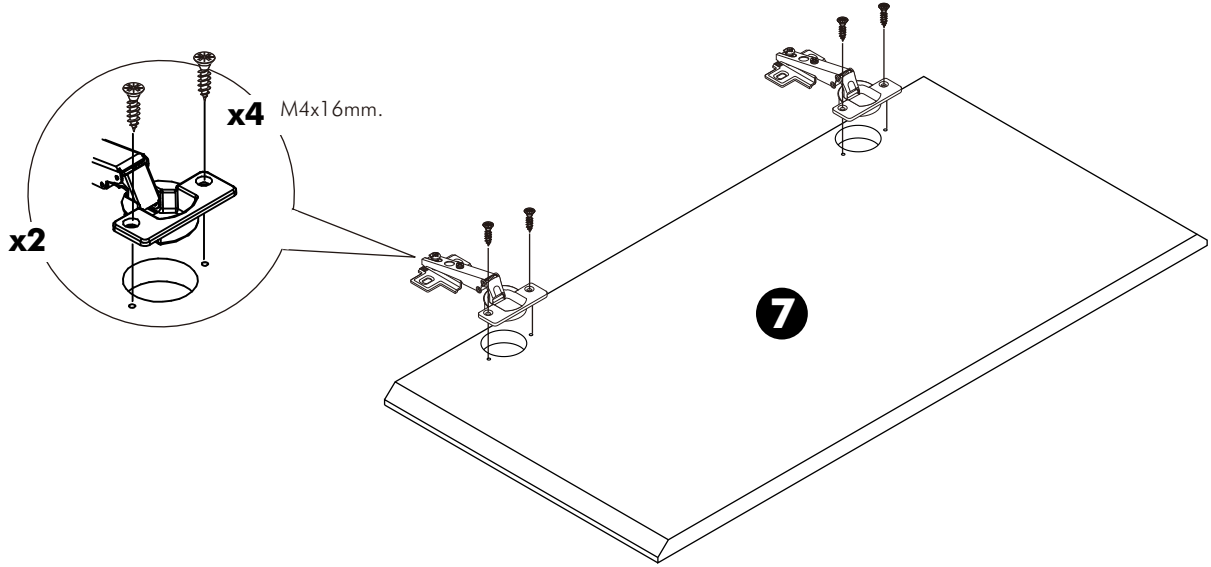
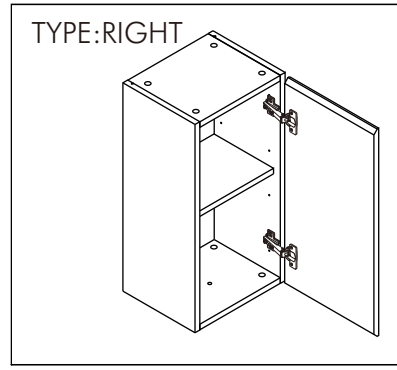
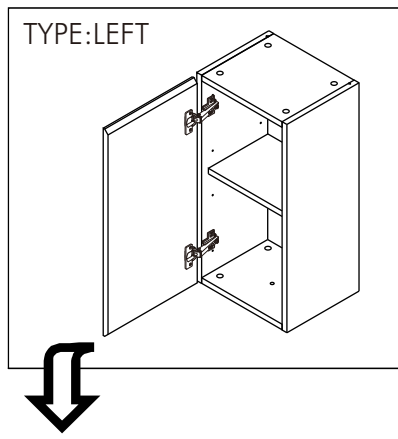
**3.**



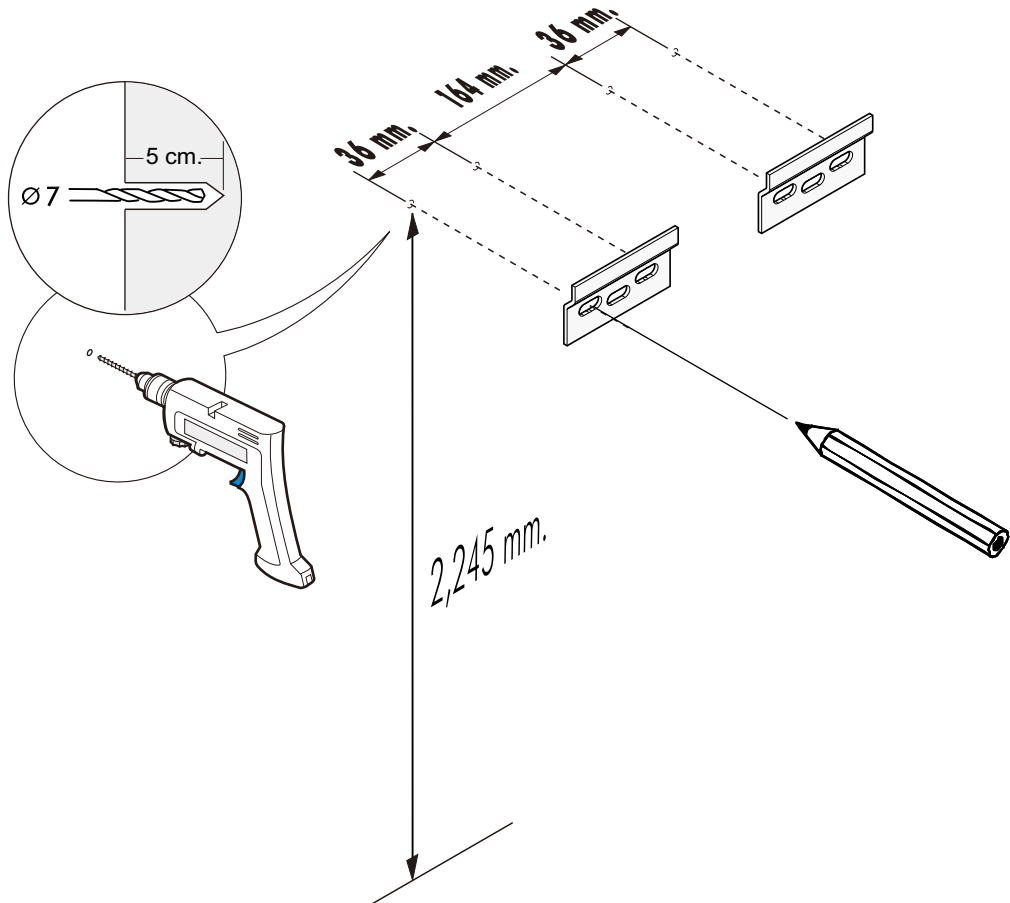
**4.**



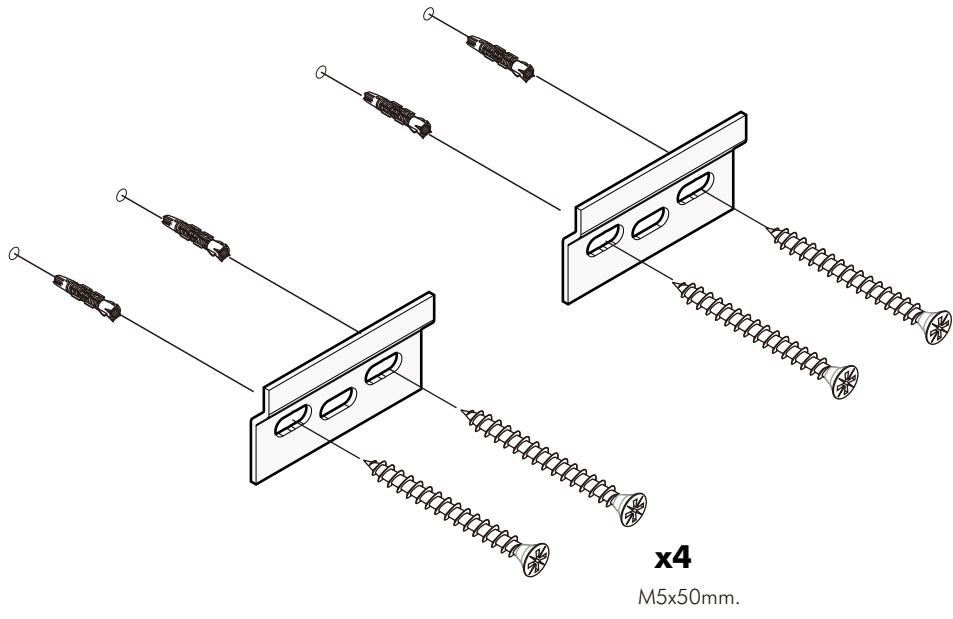
**5.**



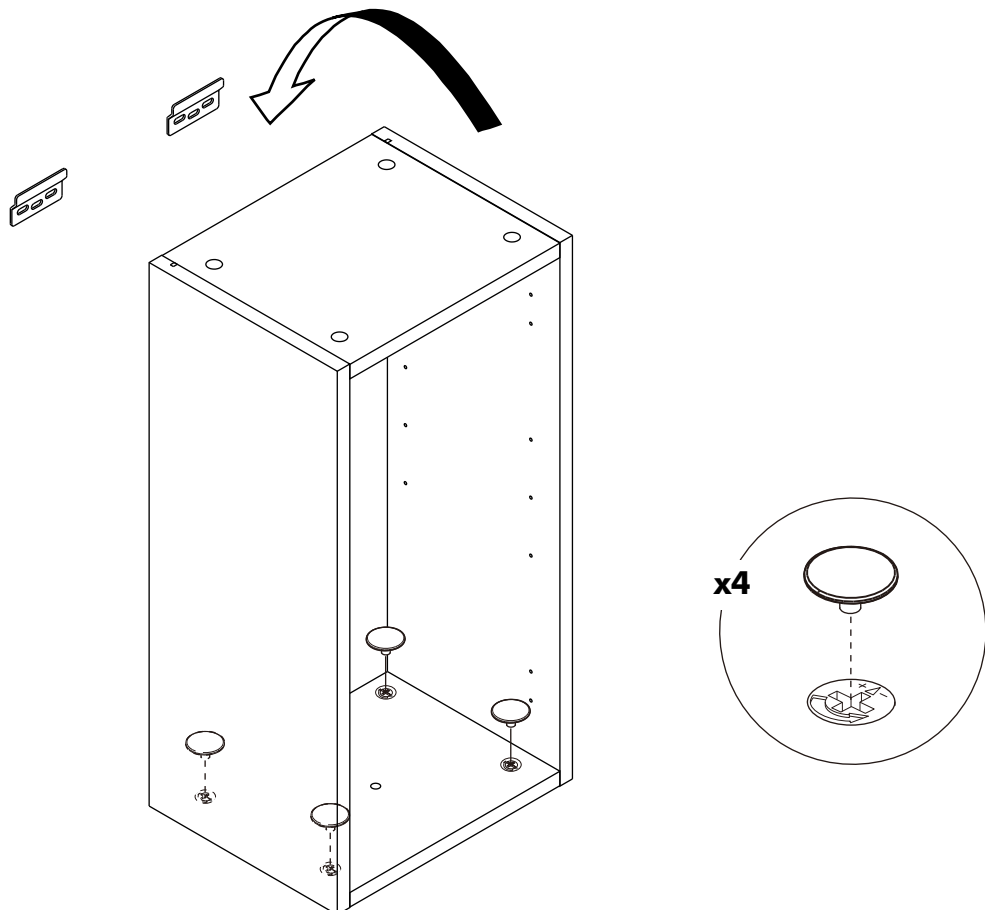
**6.**



**7.**



**8.**



9.

