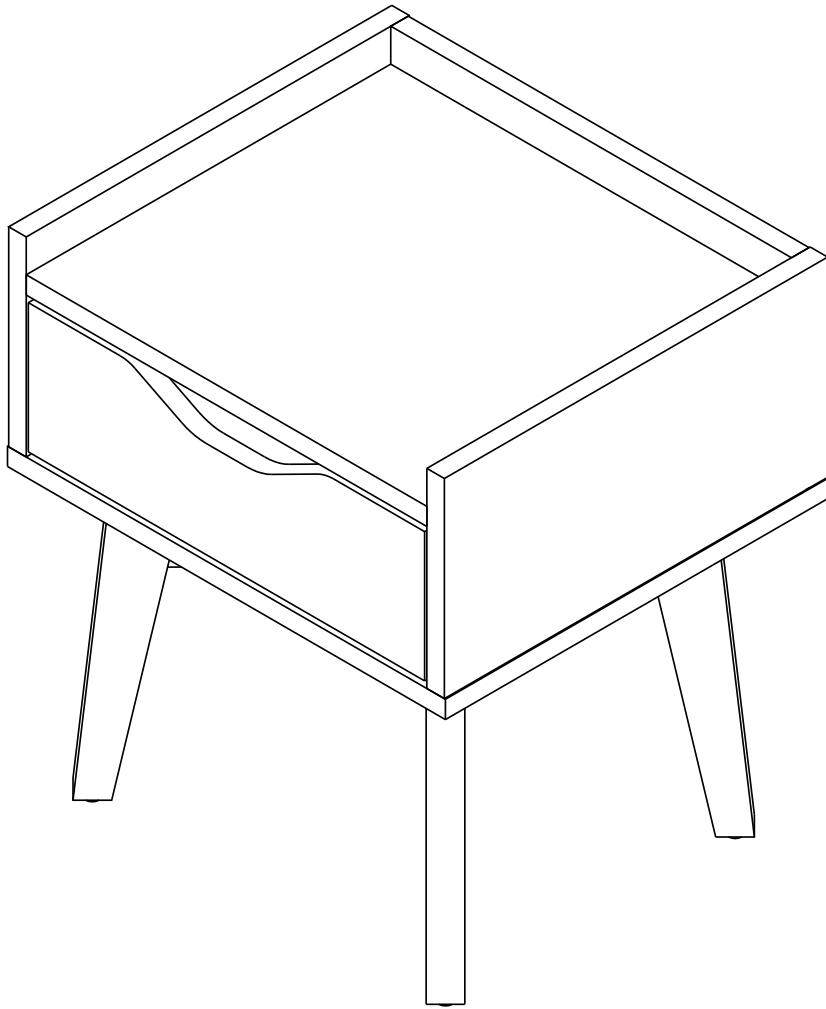


KARLMAR-P

Night Table



CONNECT SYSTEM

1

3

2

(Connecting bolts)

WHEN FITTING CAMS
 ENSURE STARTING POSITION IS CORRECT
 BEFORE YOU INSERT CONNECTING BOLT
 TURN CLOCKWISE UNTIL SECURE

<p>↑</p> <p>CORRECT</p>	<p>↓</p> <p>WRONG</p>		

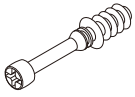
1

2

M3.5x20mm.

HARDWARE

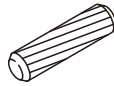
-BODY SET



x 4

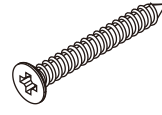


x 4



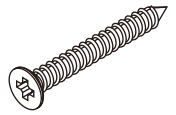
8x35mm.

x 8



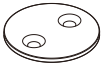
M4x30mm.

x 8



M4x40mm.

x 6

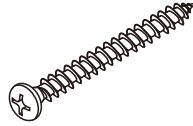


x 2



M4x13mm.

x 4

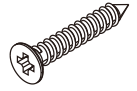


M4x50mm.

x 4



x 2



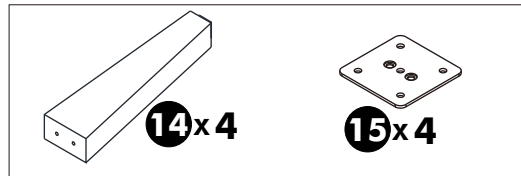
M3.5x20mm.

x 2

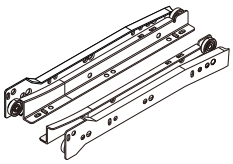


M4x16mm.

x 16



-DRAWER SET

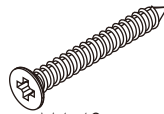


x 1



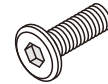
M3.5x13mm.

x 14



M4x40mm.

x 6



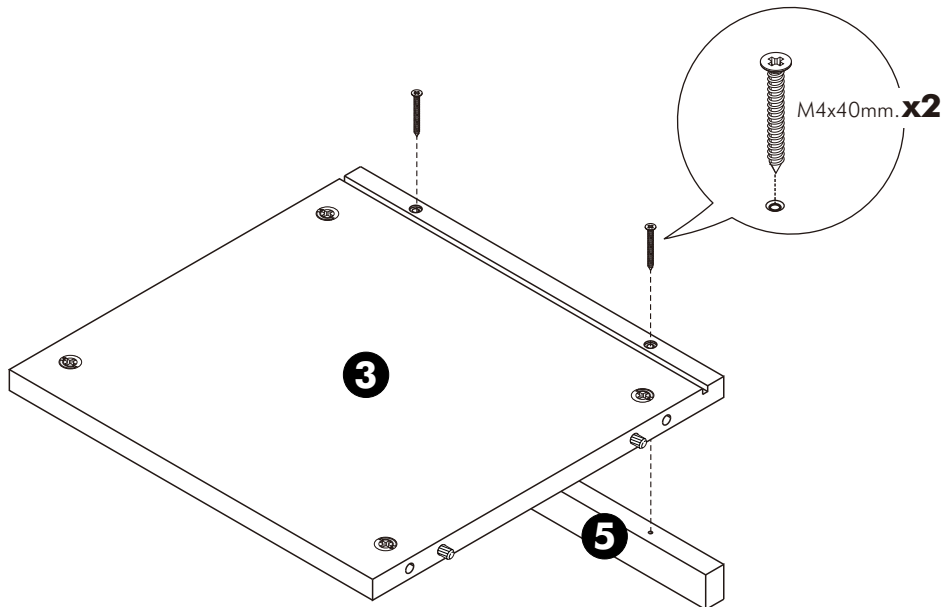
M6x30mm.

x 2

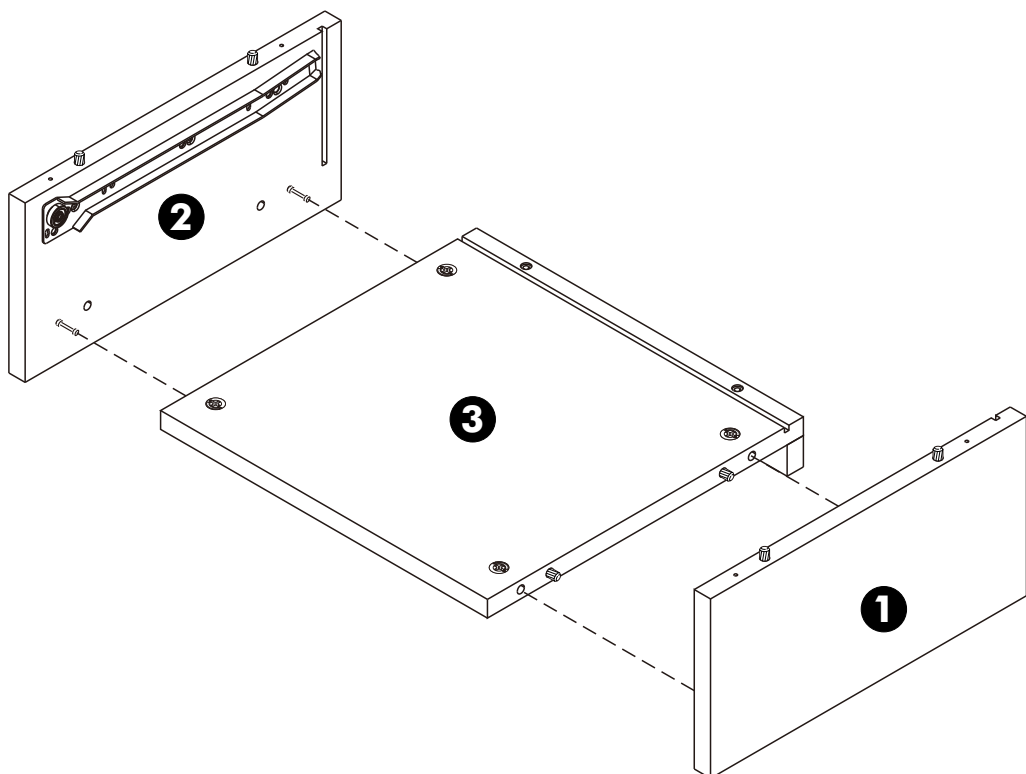
ASSEMBLY

-BODY SET

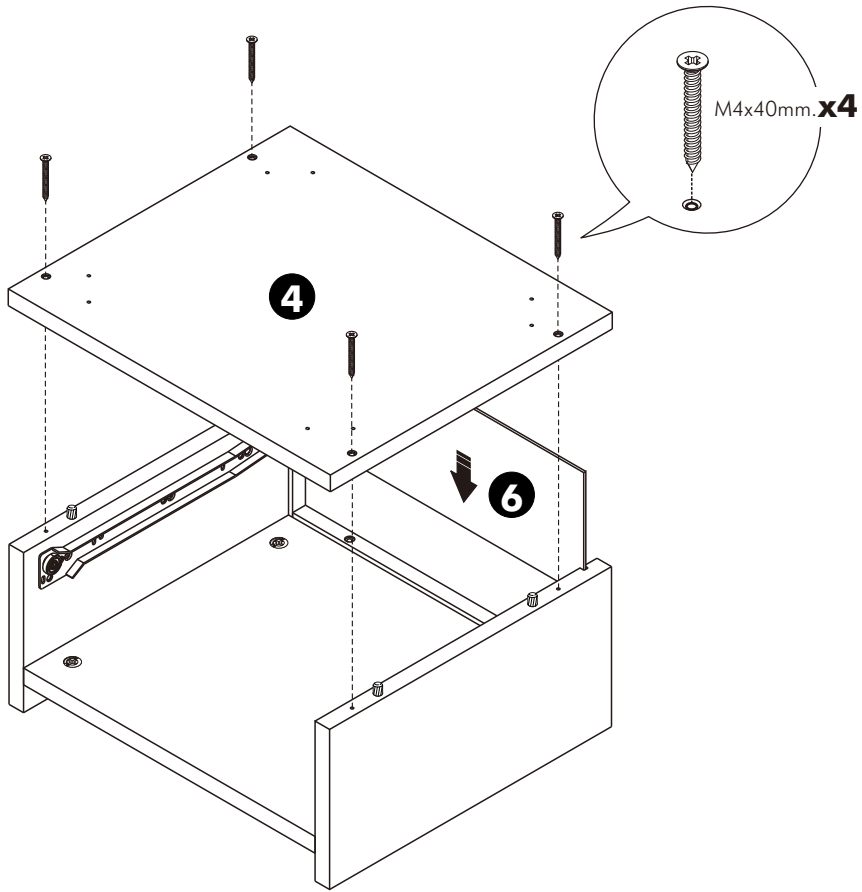
1.



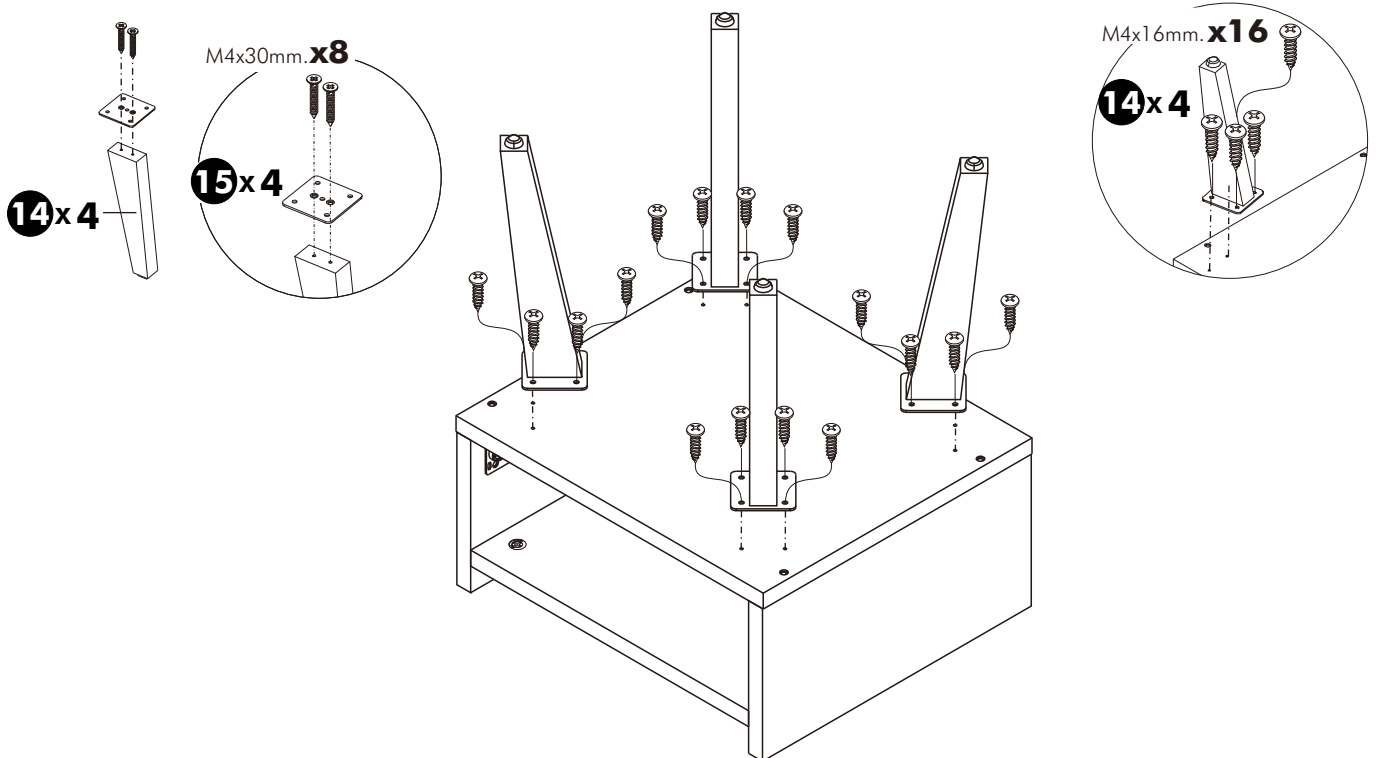
2.



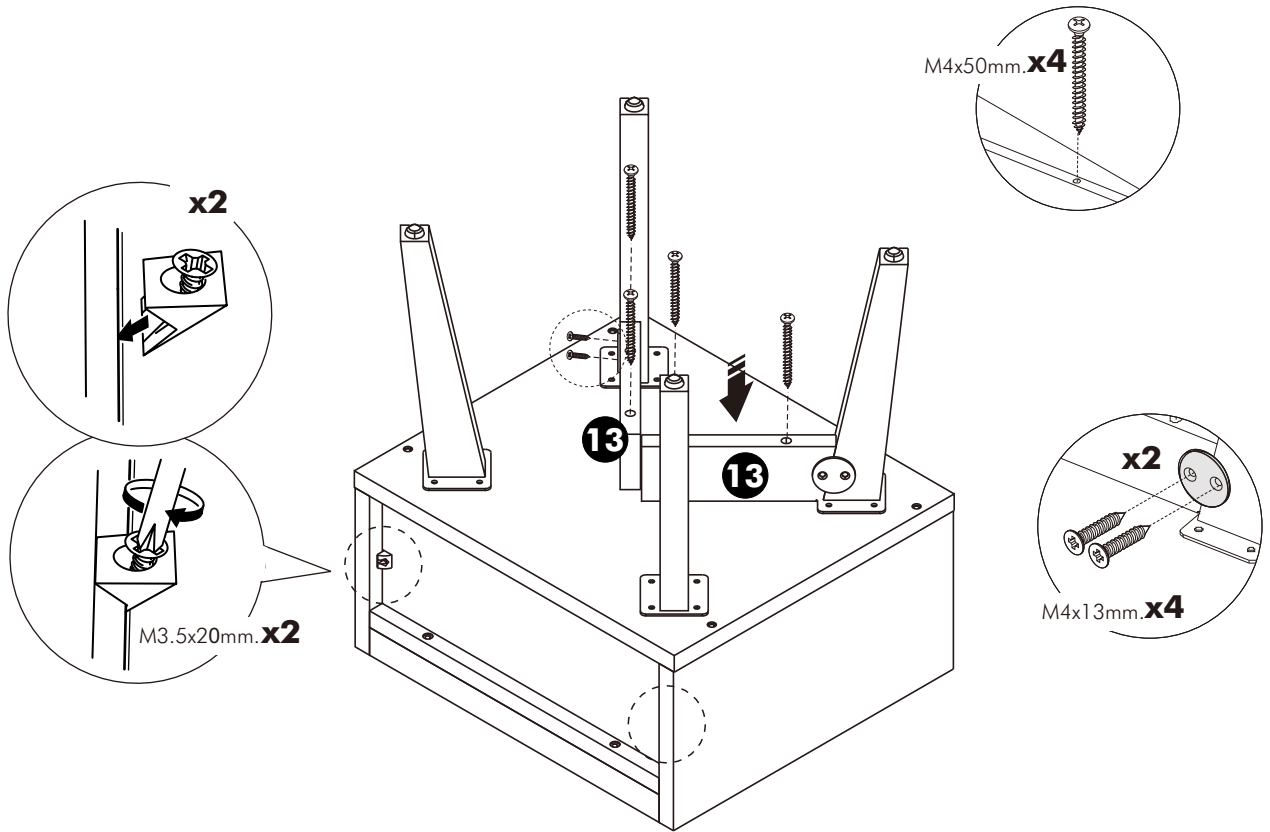
3.



4.

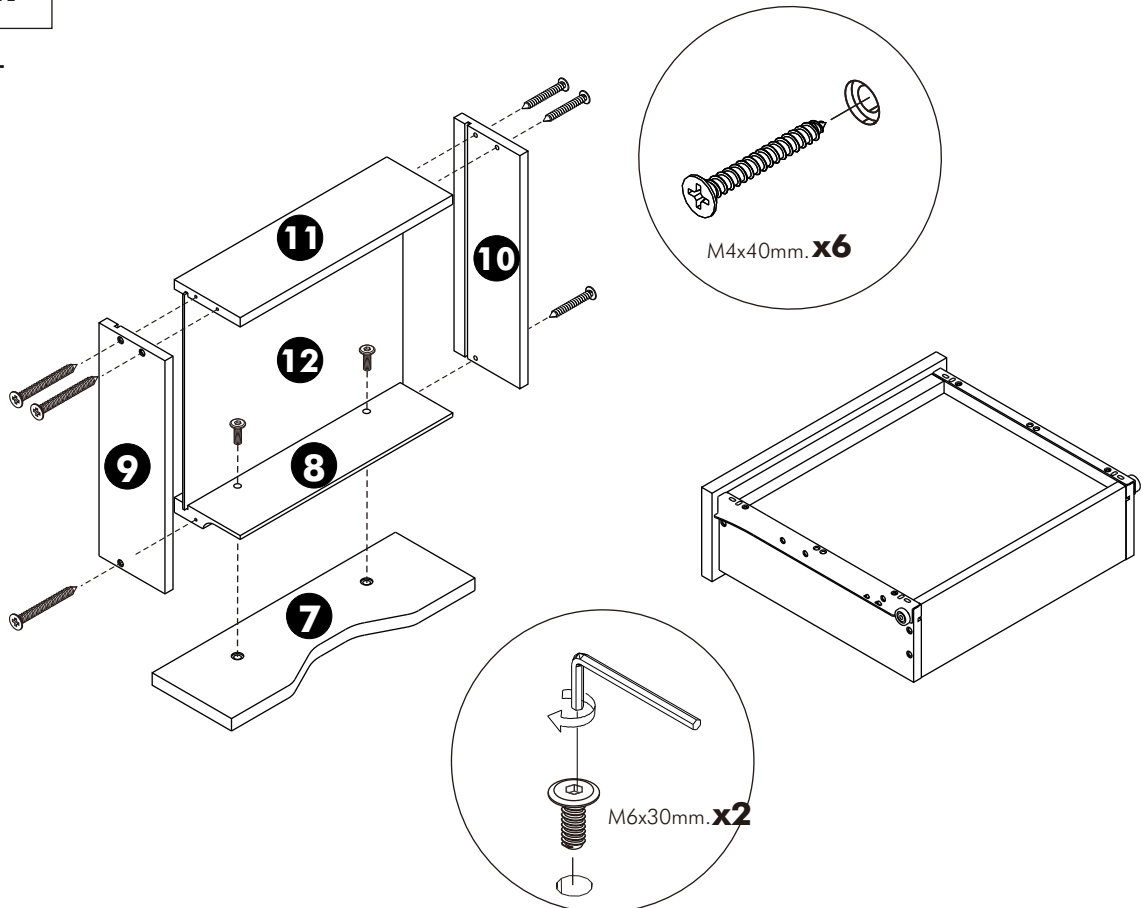


5.



ASSEMBLY

-DRAWER SET



6

7.

