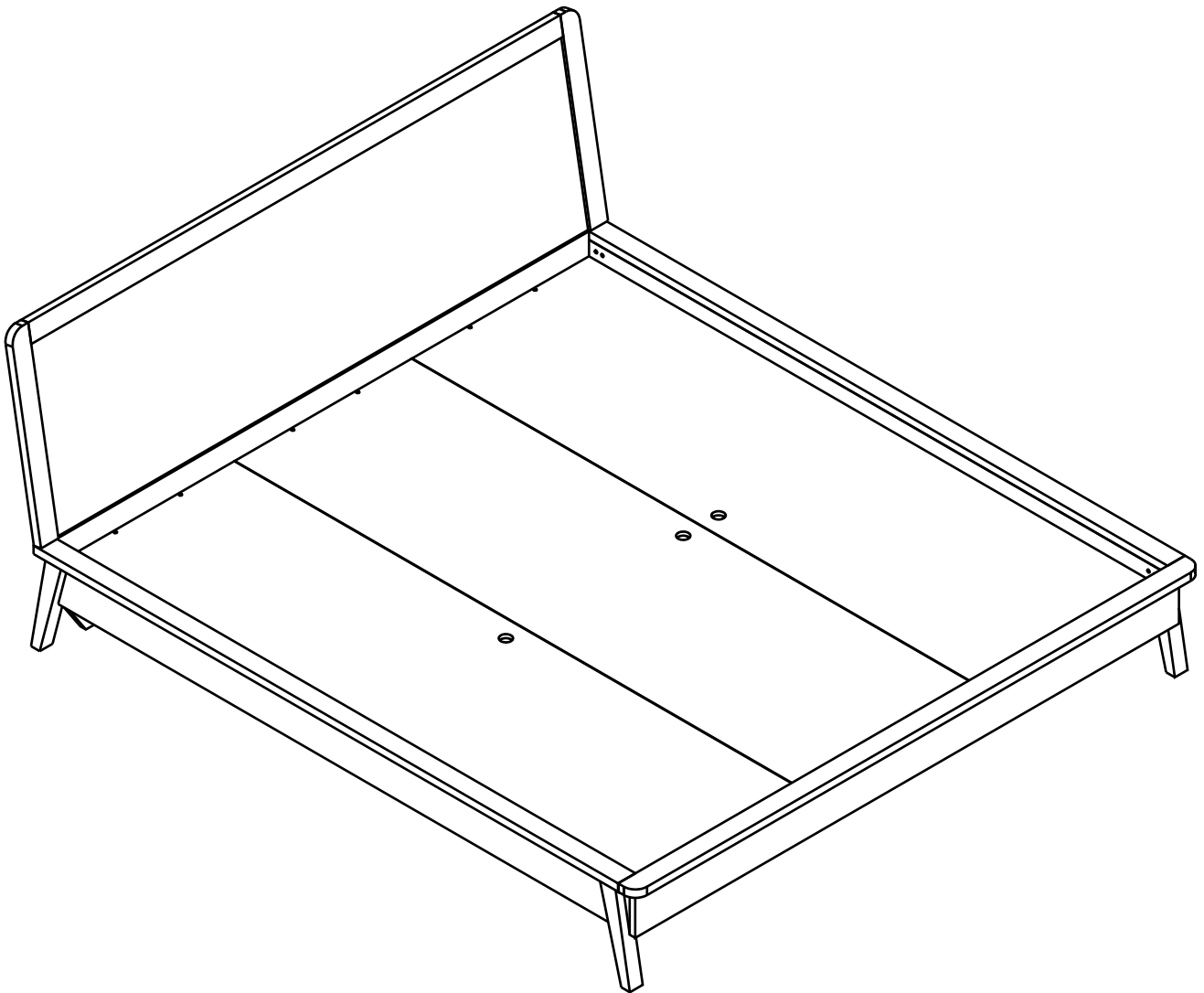
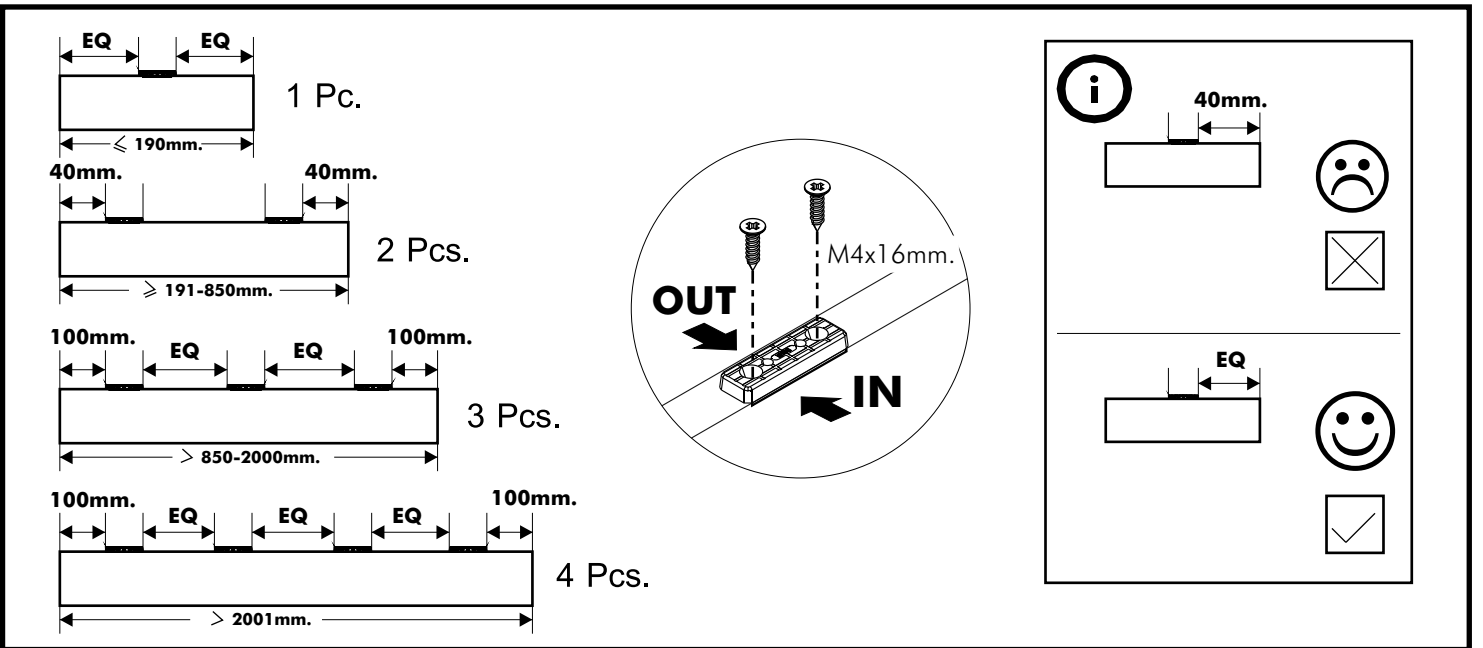
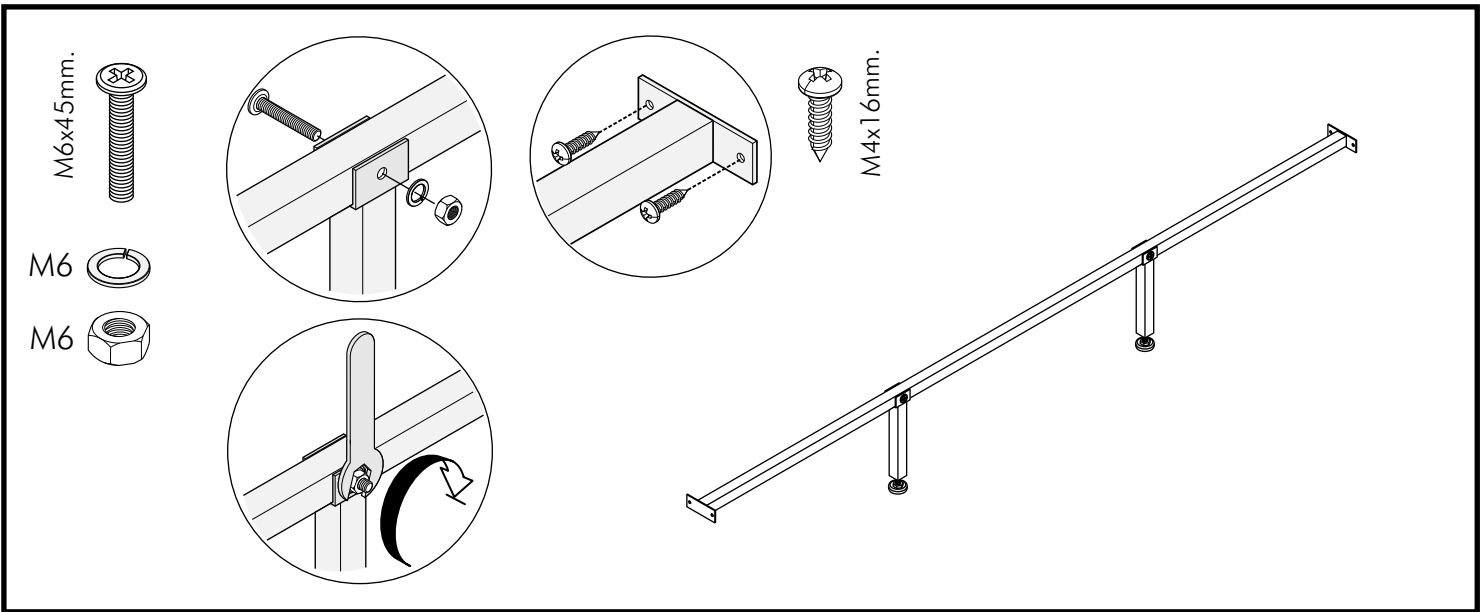
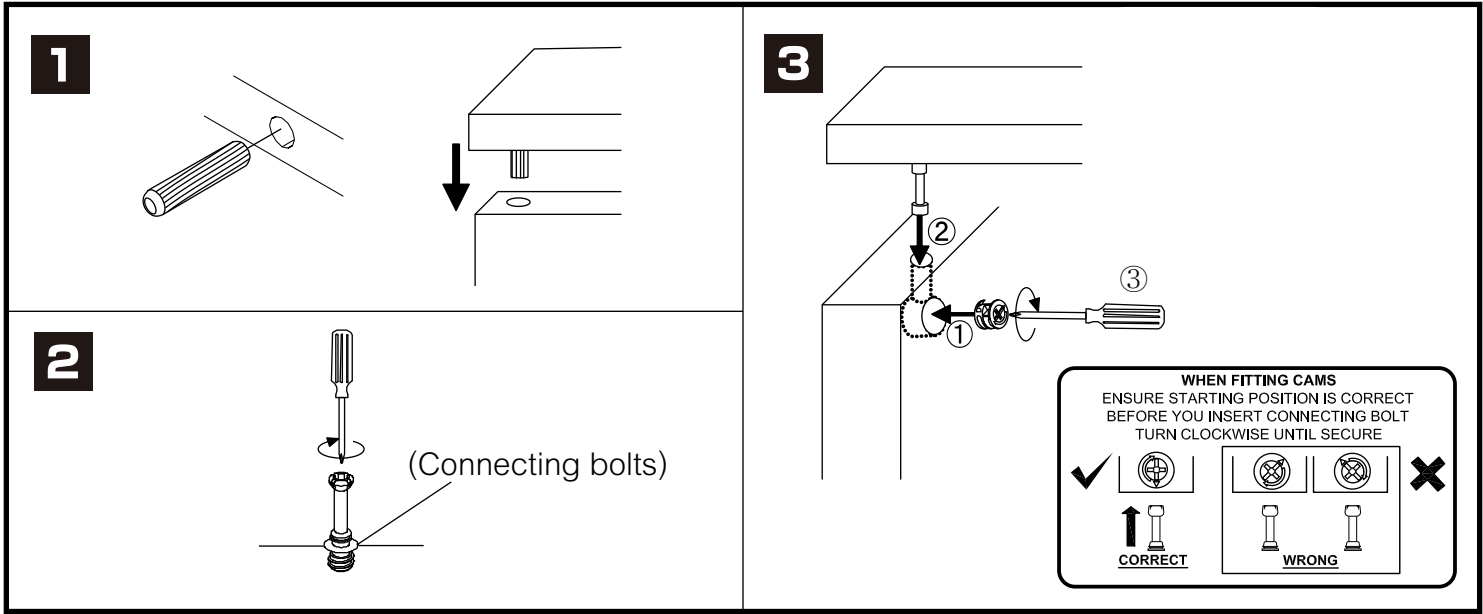


KARLMAR-P

Bed 5ft.
Bed 6ft.

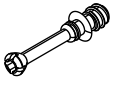


CONNECT SYSTEM



HARDWARE

-BODY SET

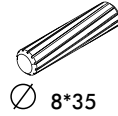


x 22



19 mm.

x 22



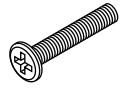
8*35

x 20



C/B F+4x16

x 10



TF+M6x45

x 4



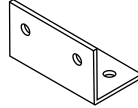
#M6

x 4



#M6

x 4



x 4



C/B P+4x16

x 24



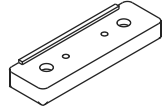
C/B F+4x35

x 16



C/B F+M4x30

x 48

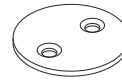


x 3

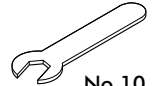


No.1

x 3



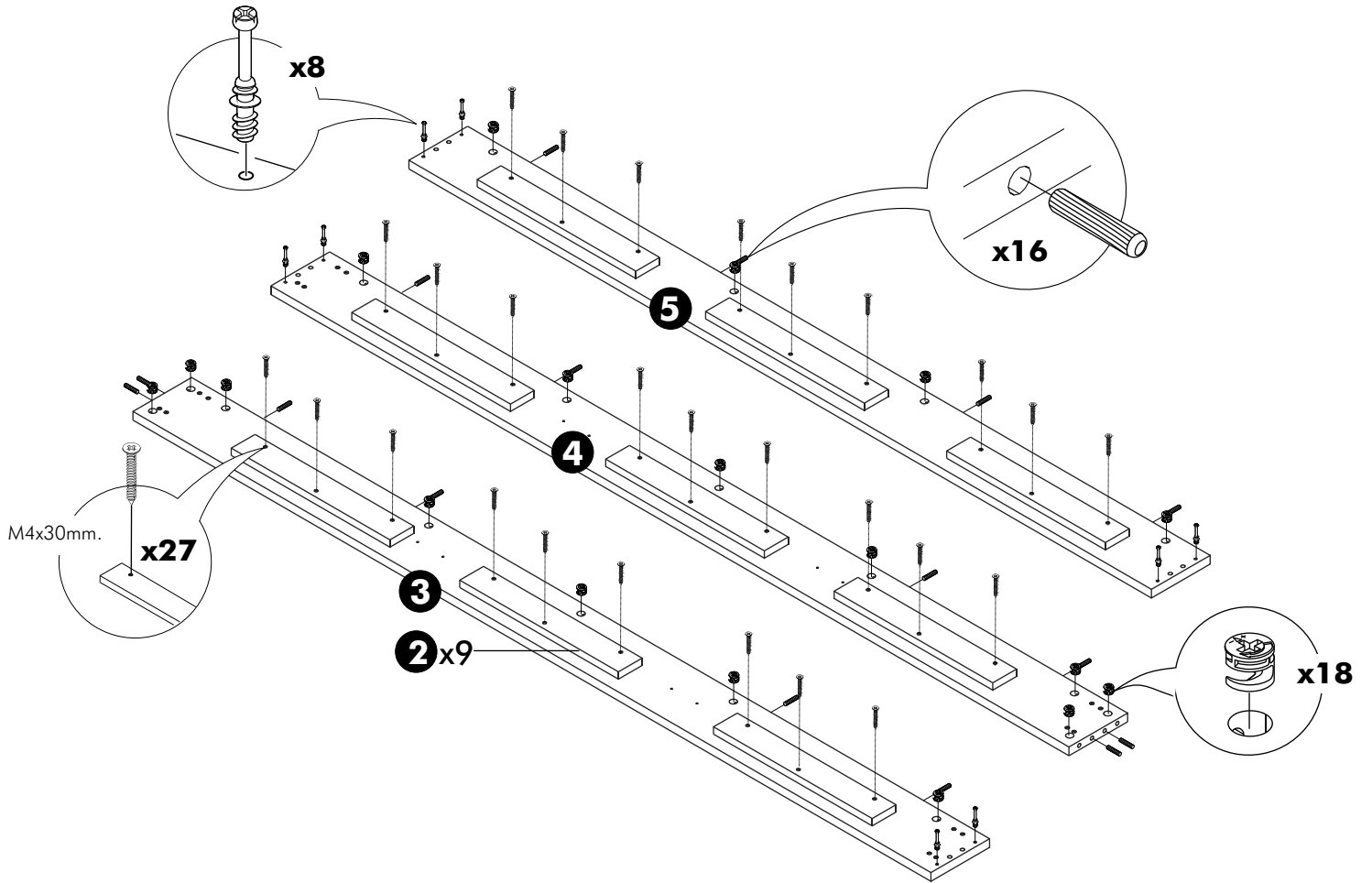
x 2



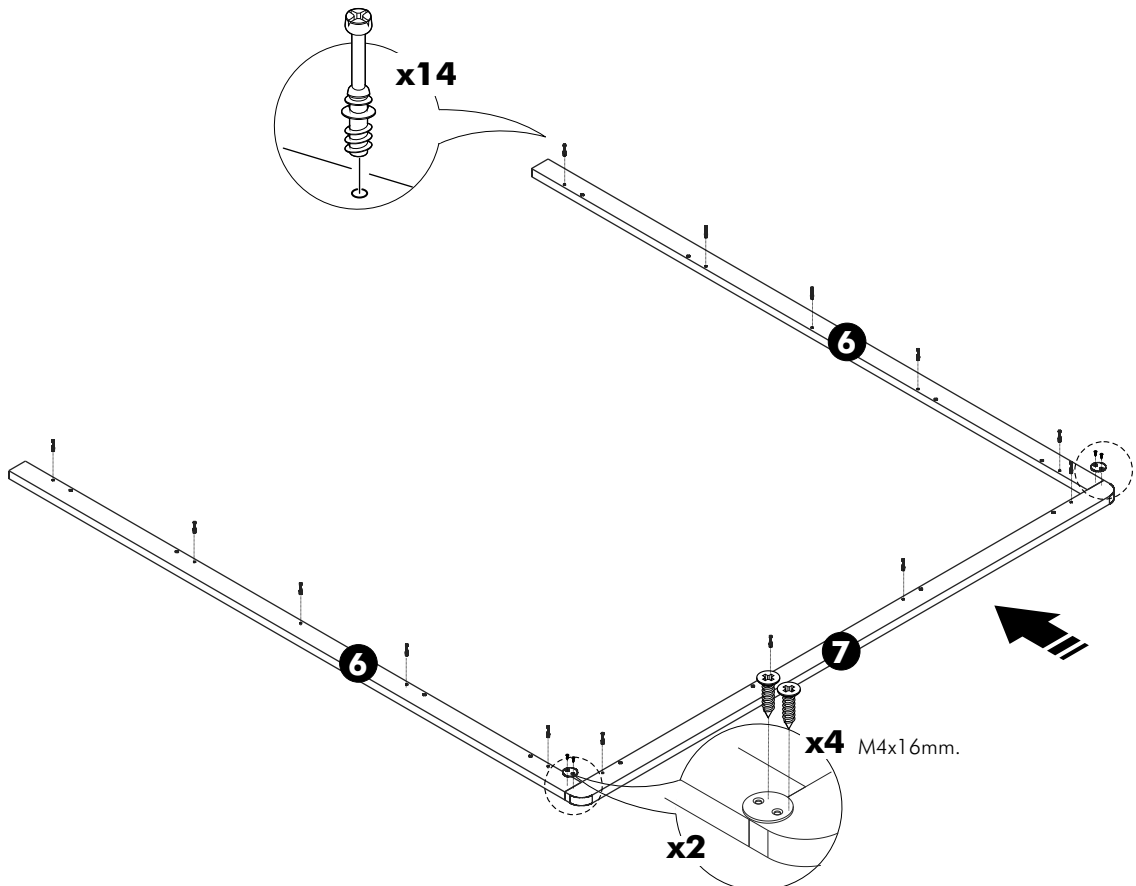
No.10

x 1

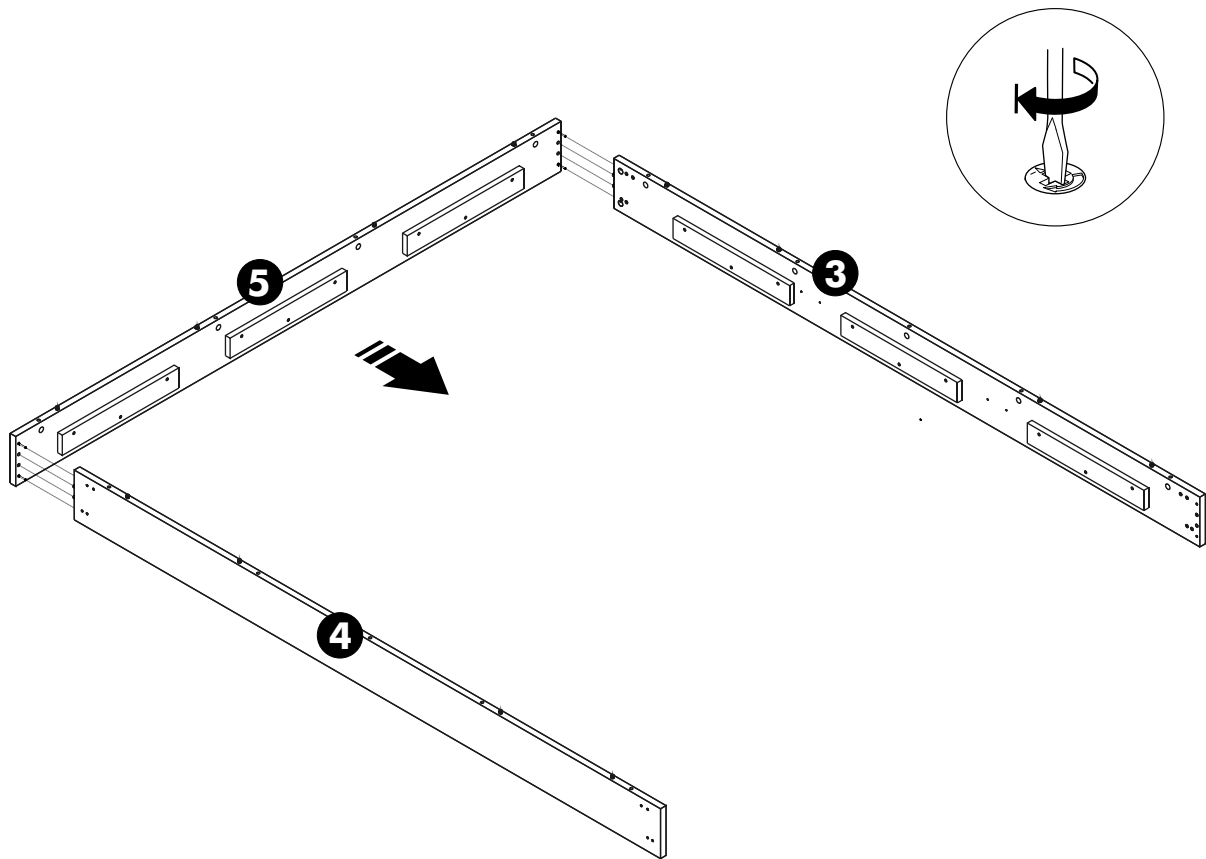
1.



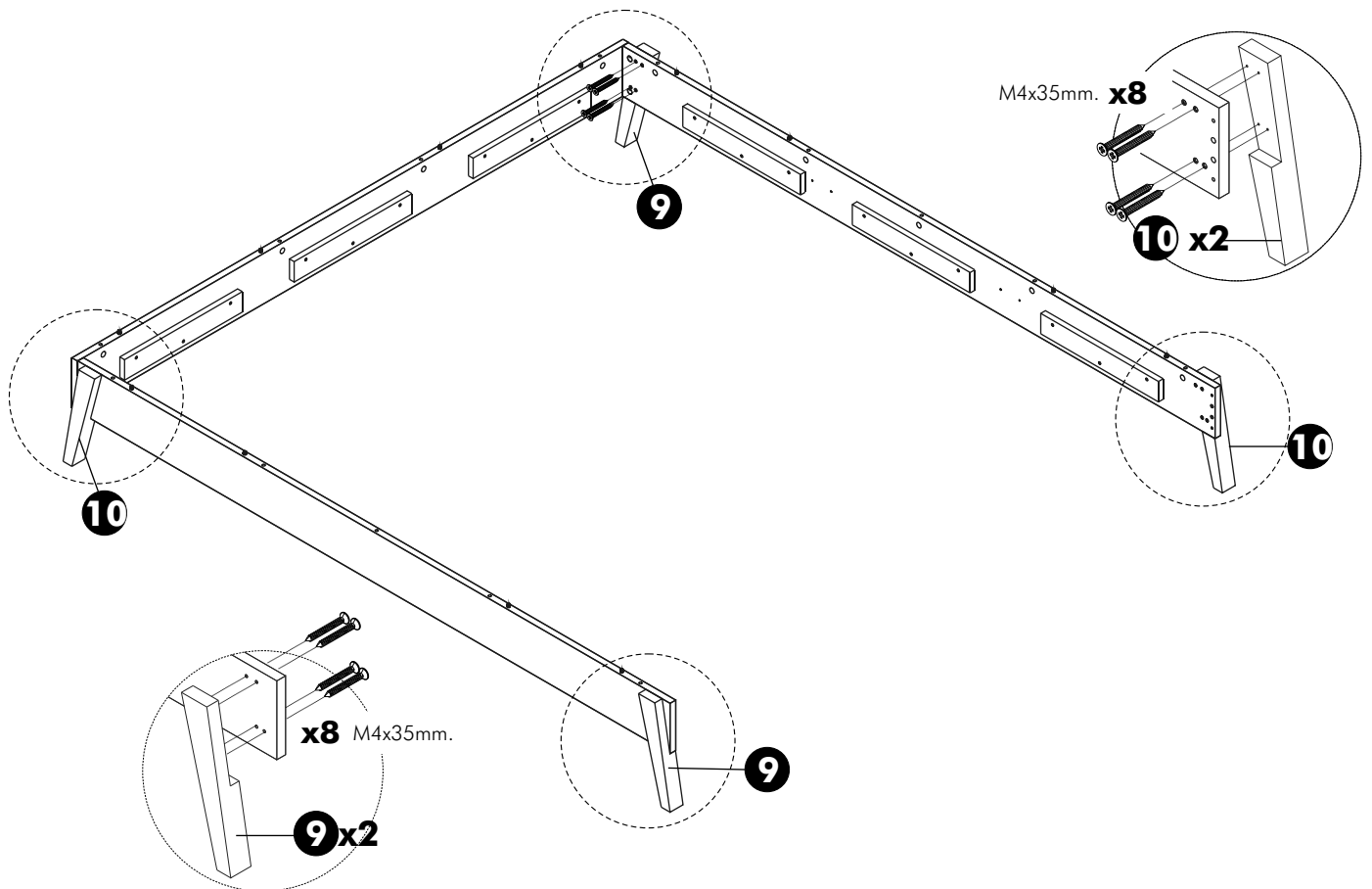
2.



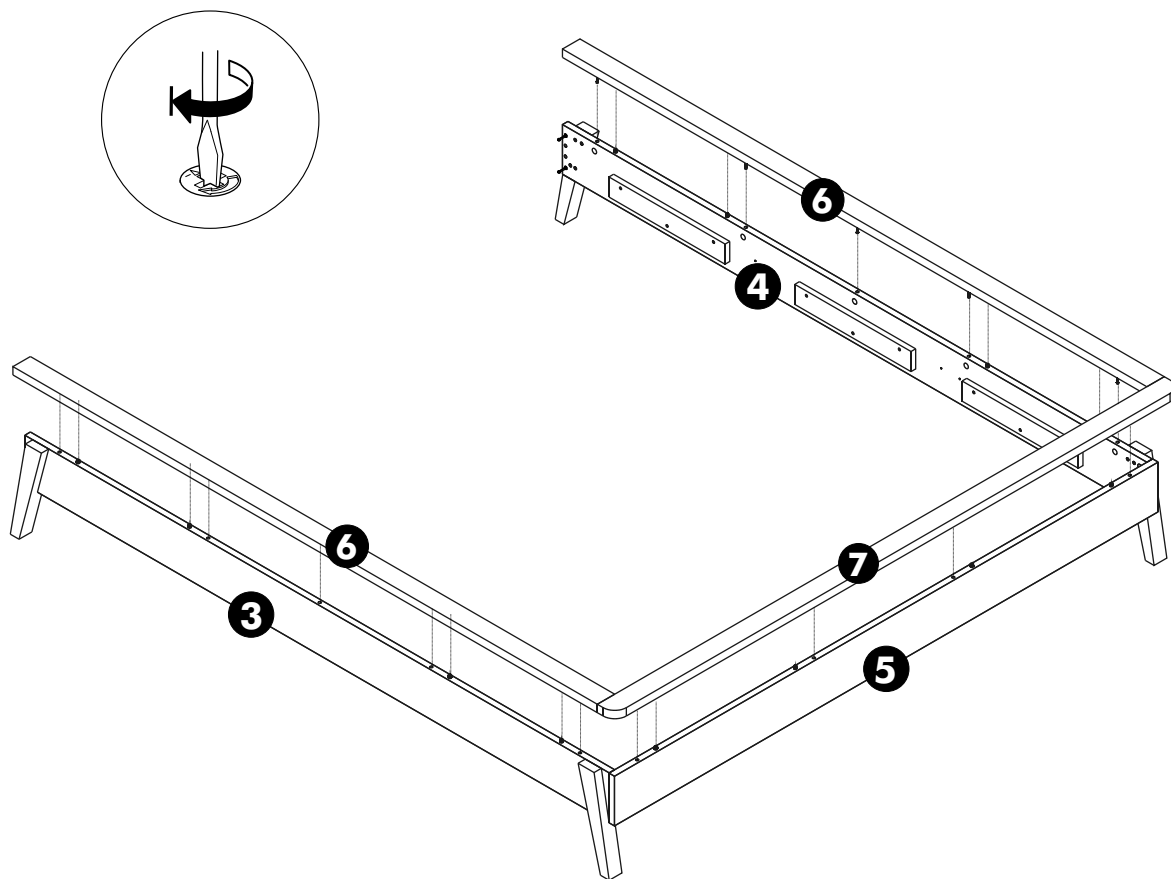
3.



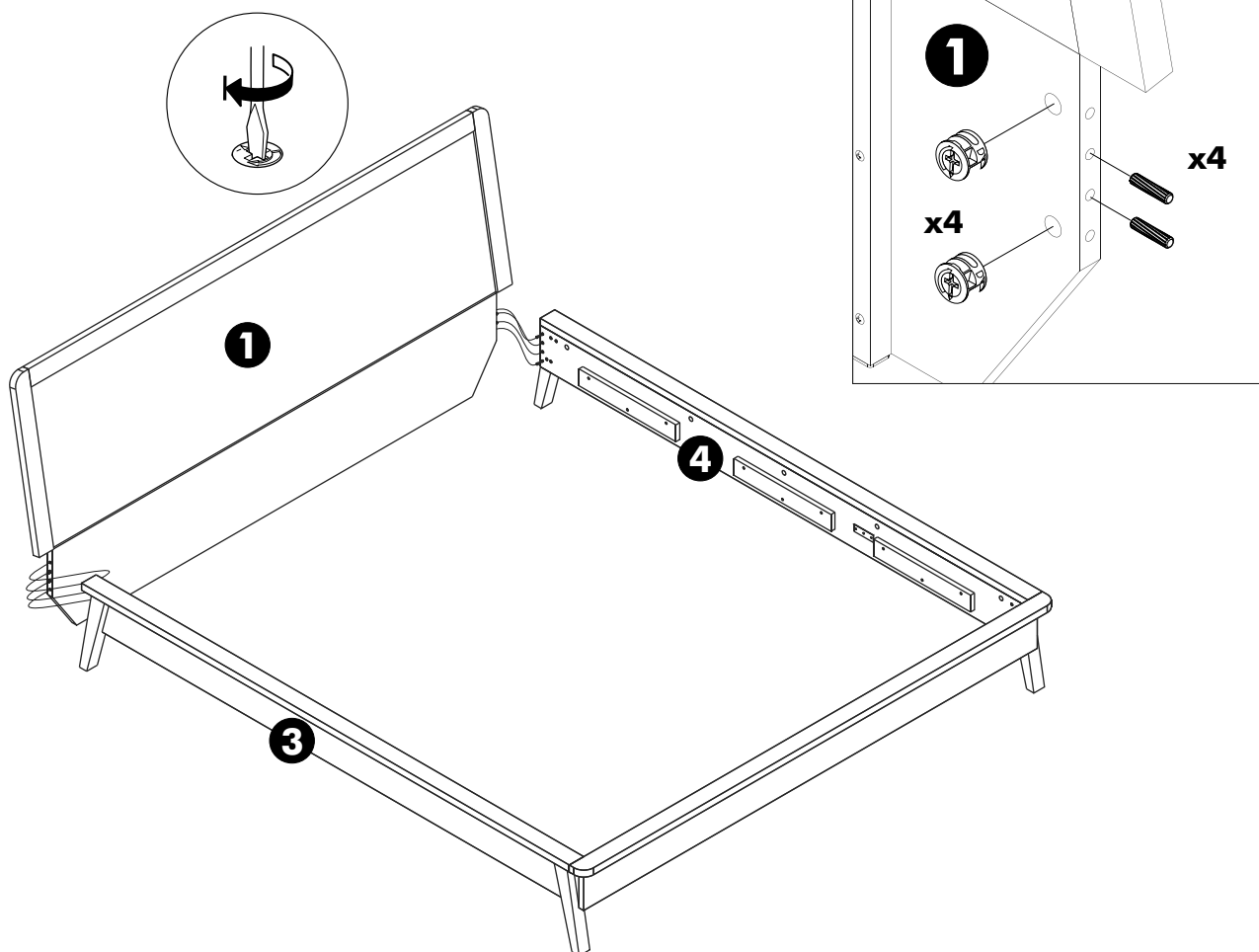
4.



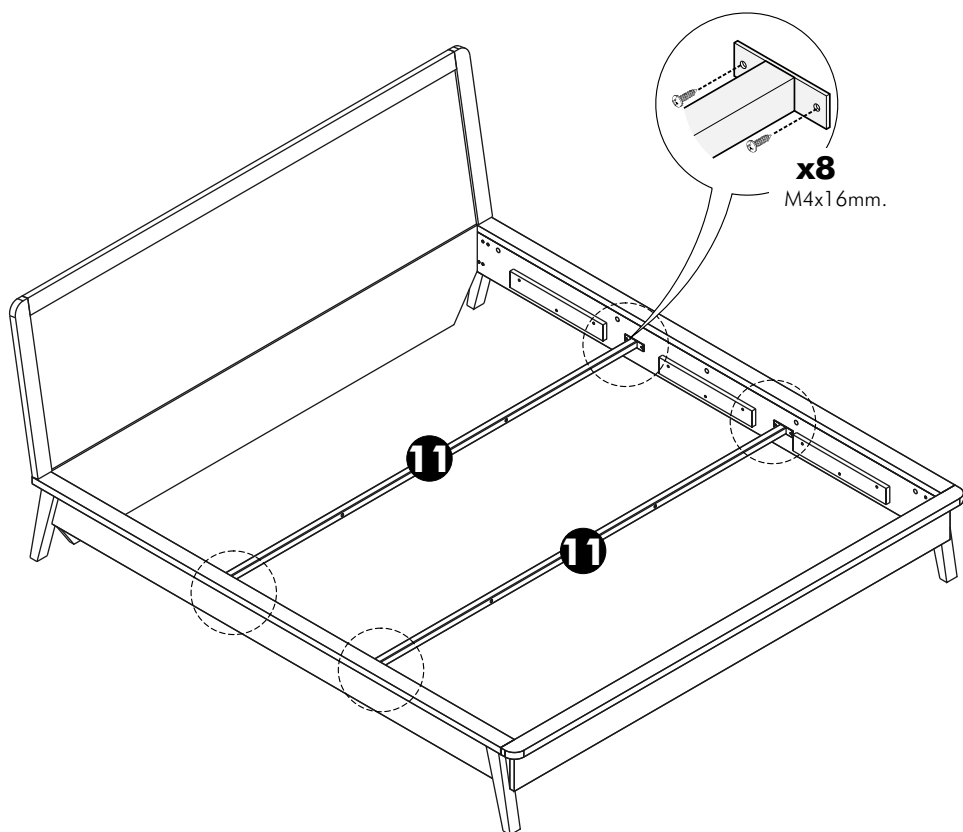
5.



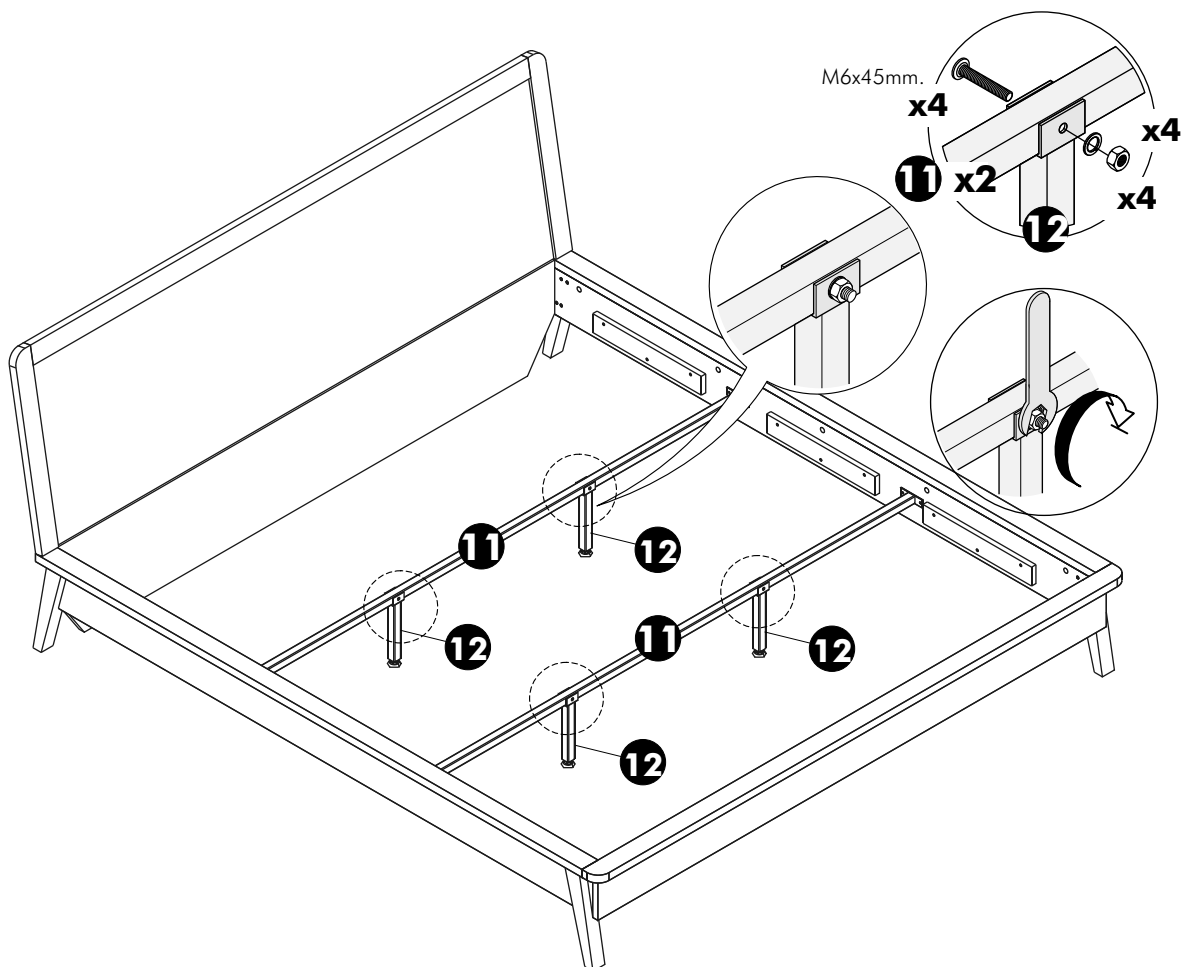
6.



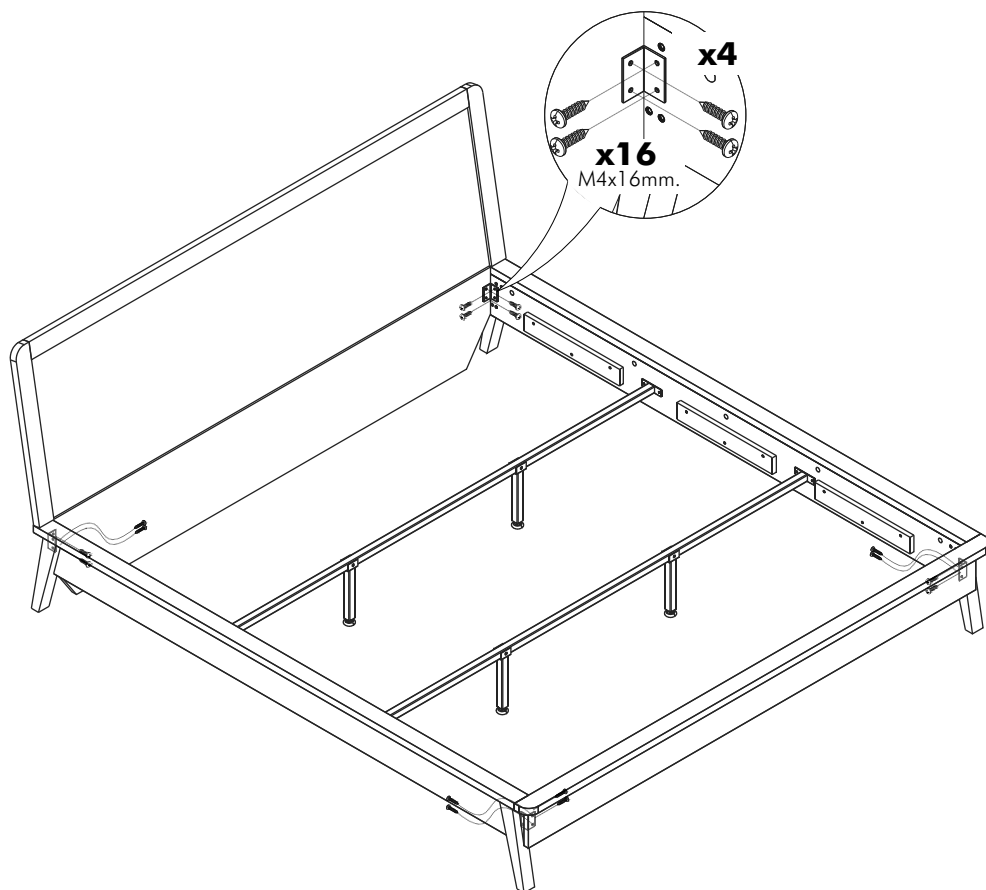
7.



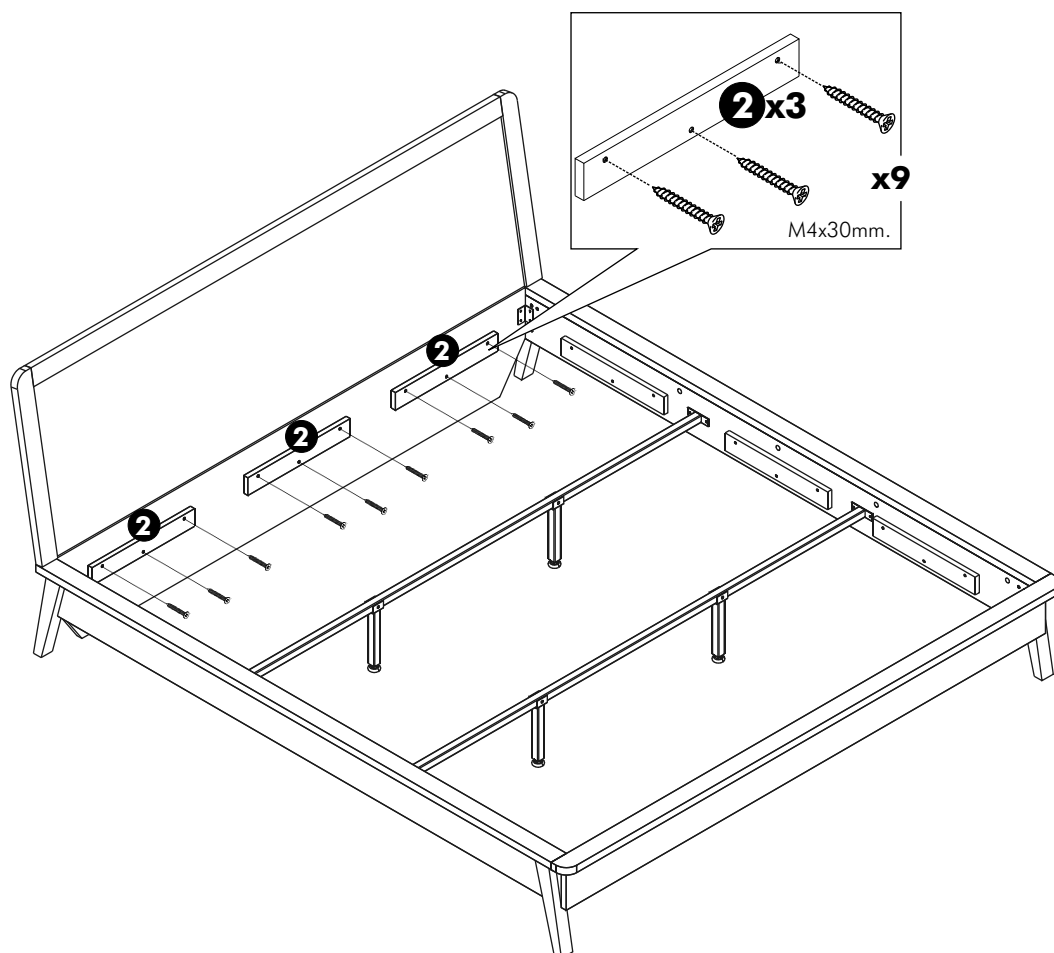
8.



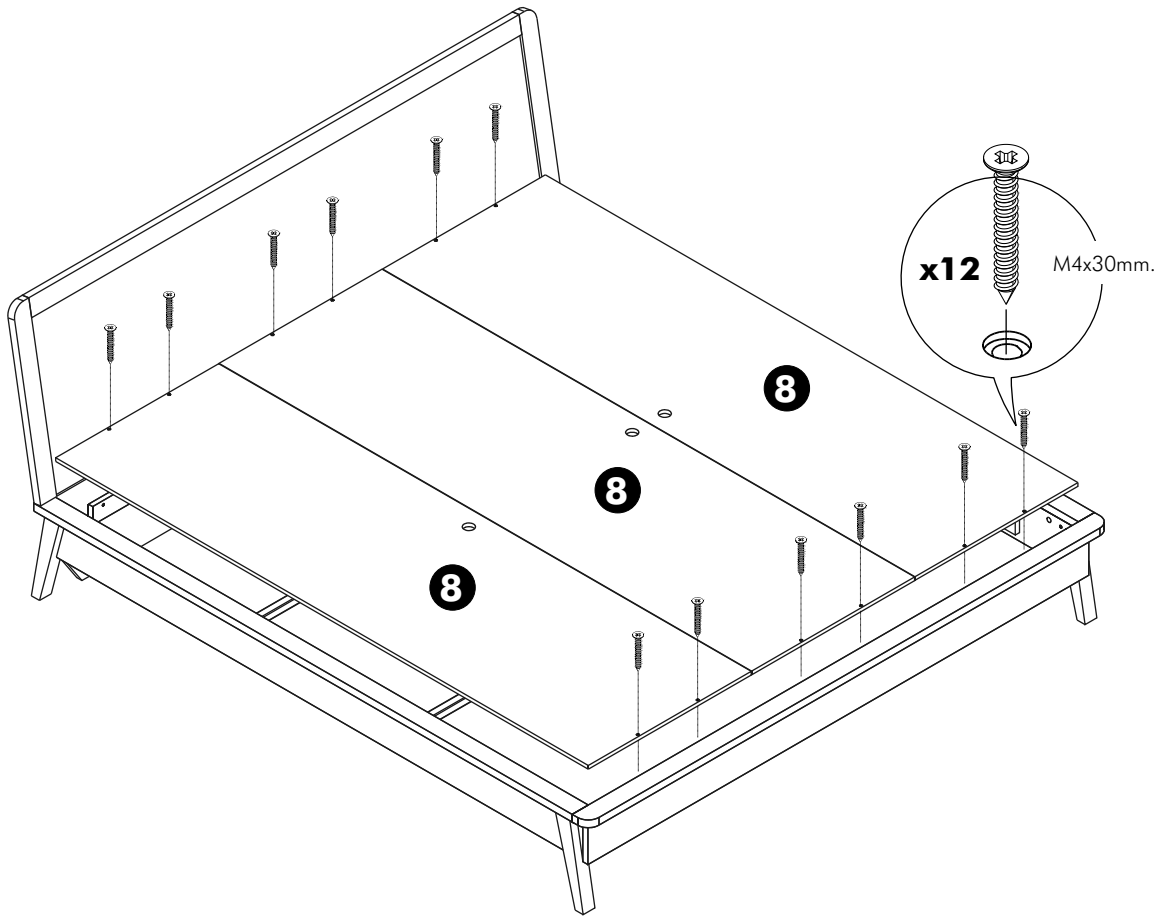
9.



10.



11.



12.

