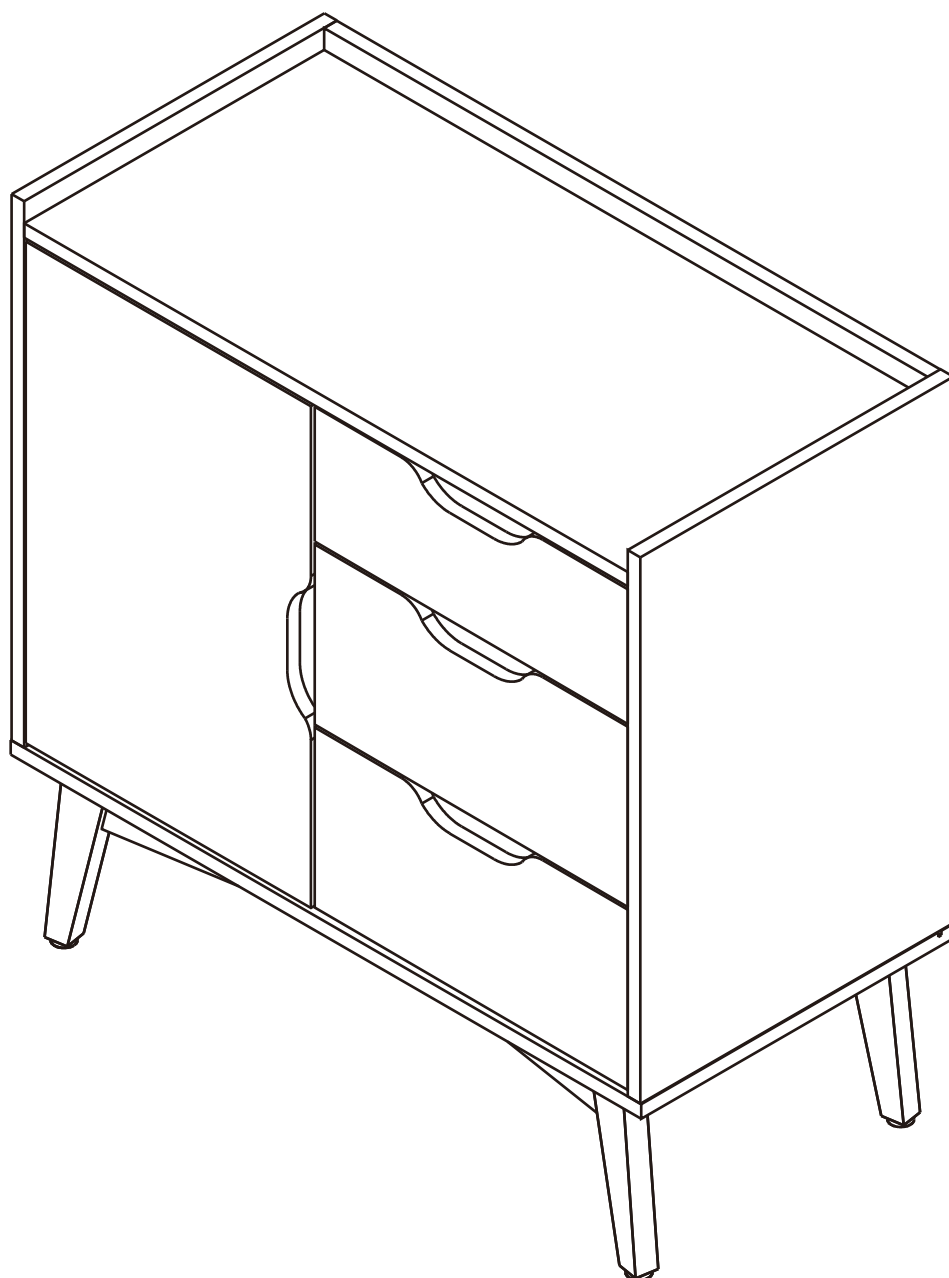
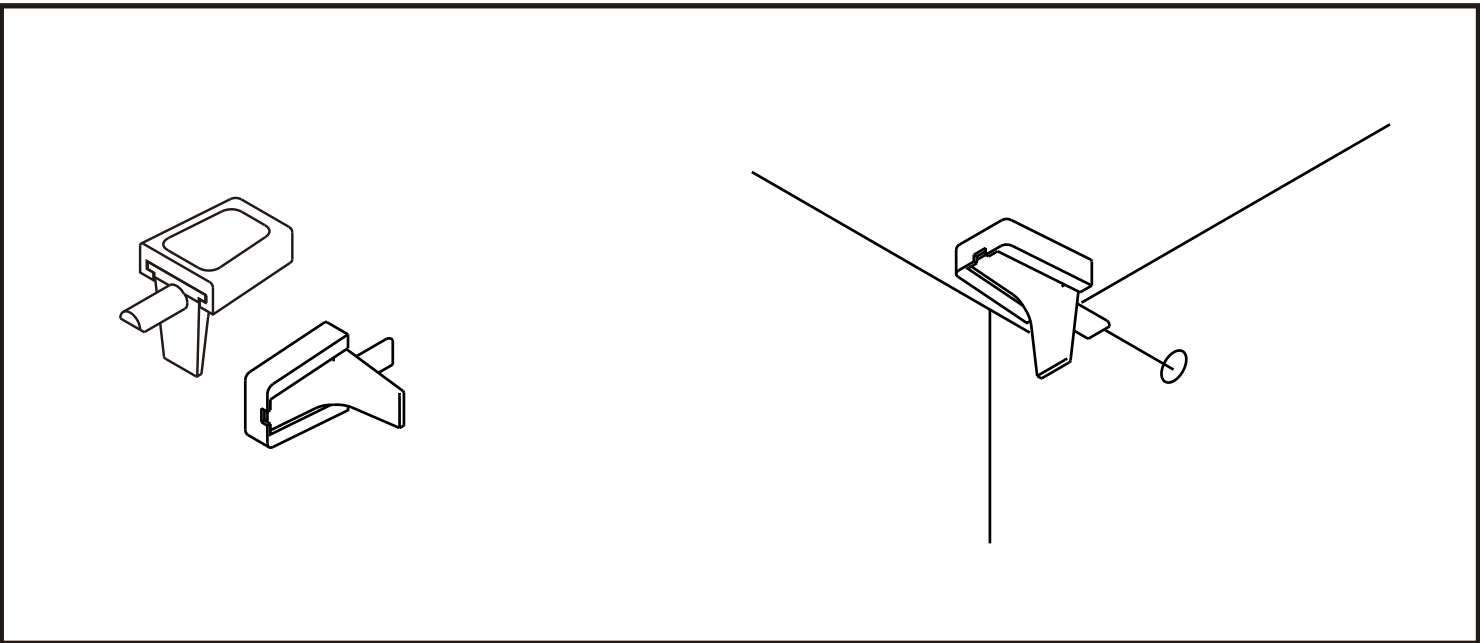
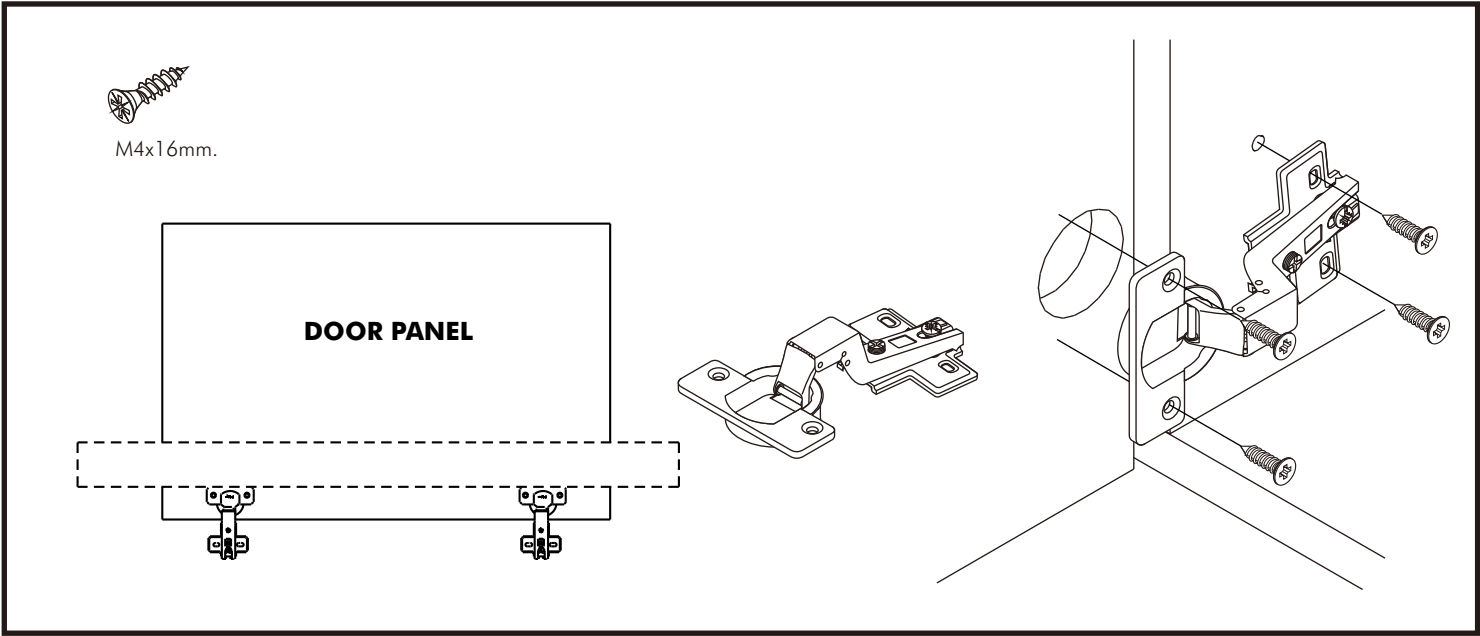
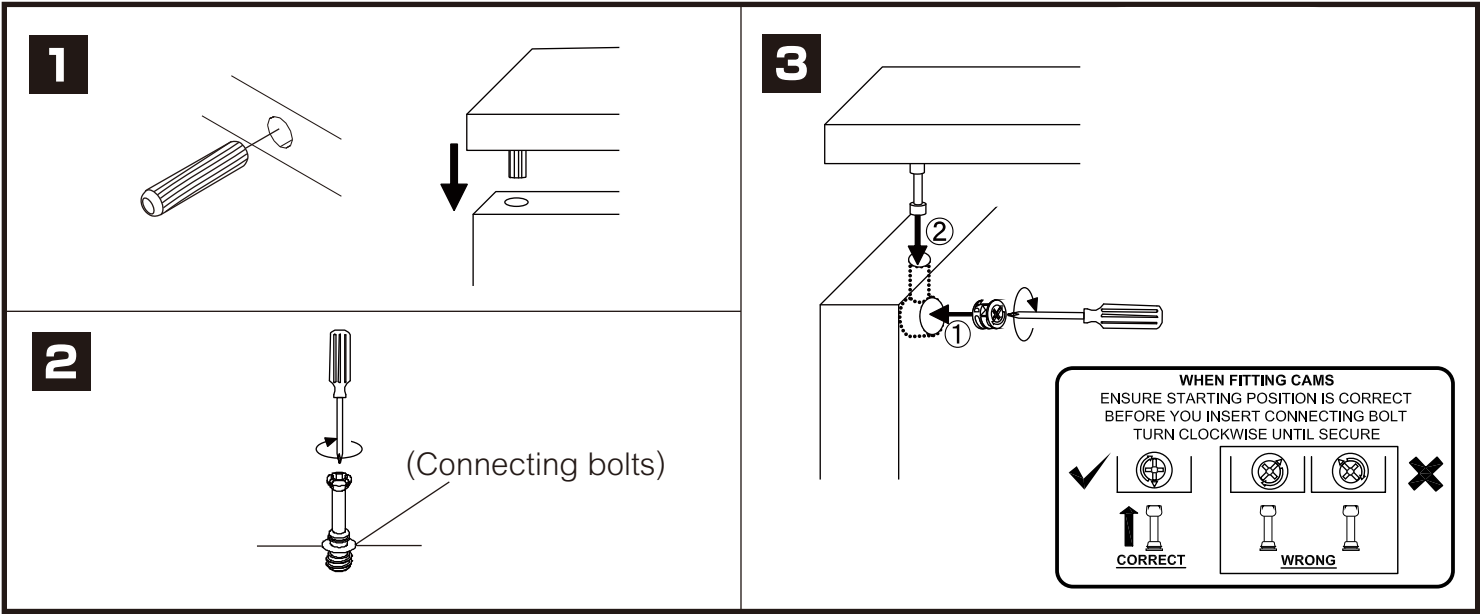


KARLMAR-P

Chest 3 drawers

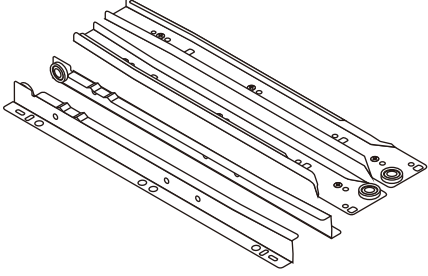
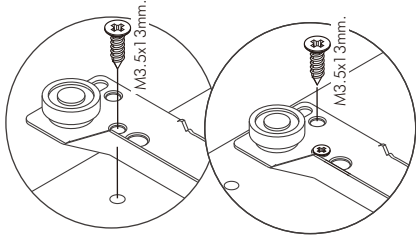


CONNECT SYSTEM



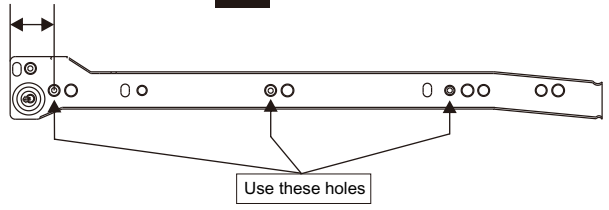


M3.5x13mm.

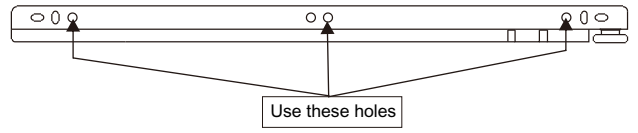


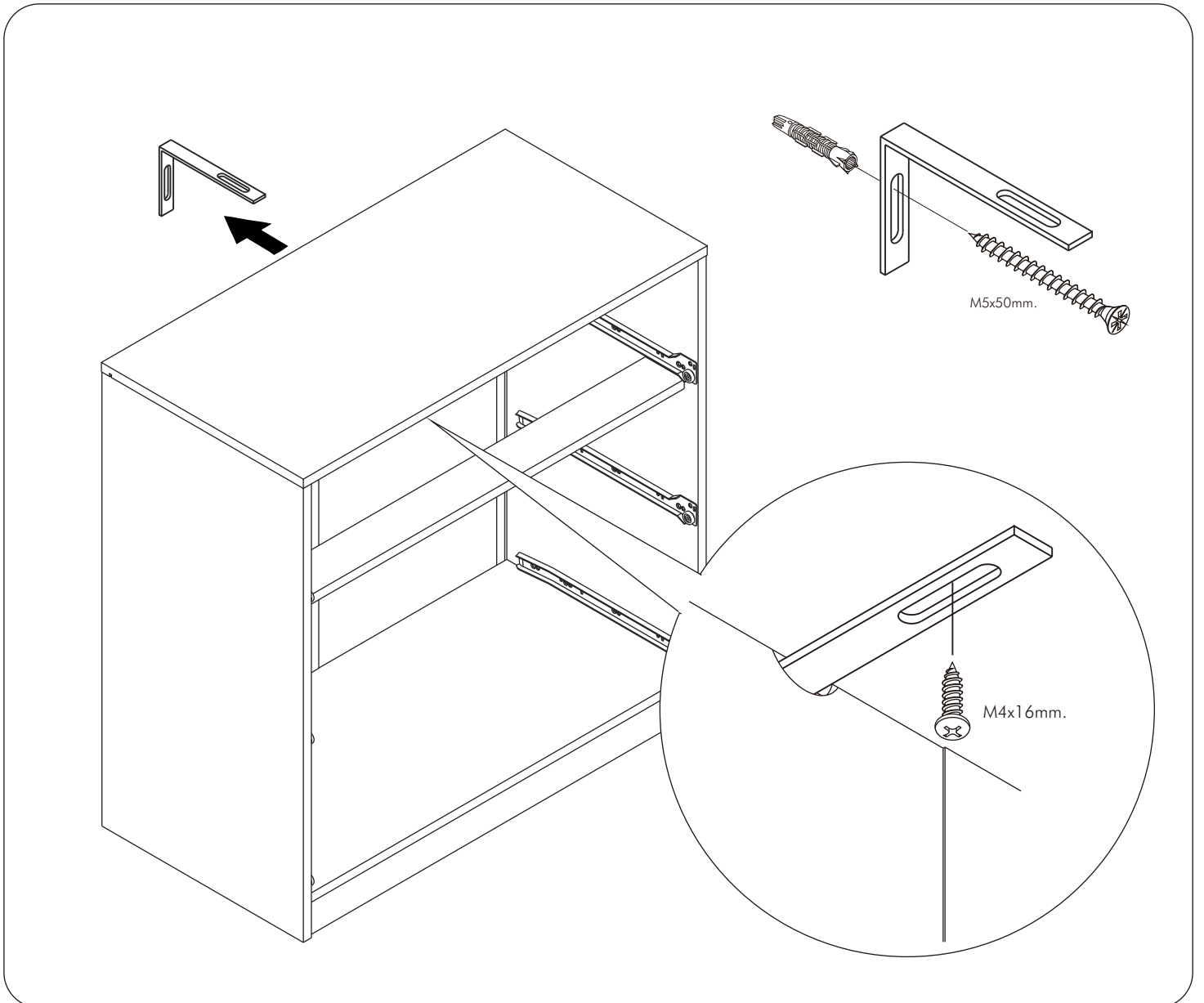
28mm.

1



2



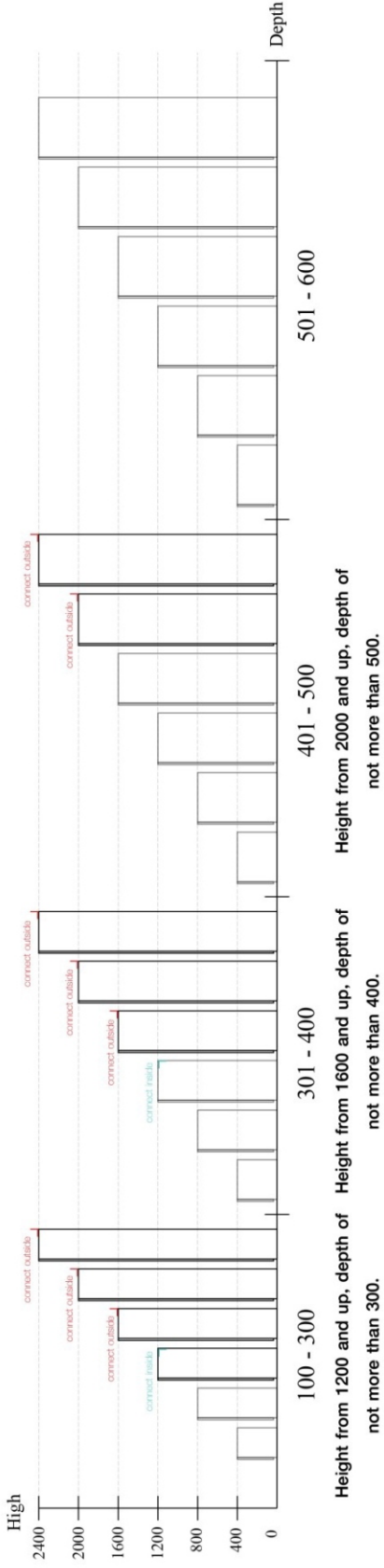


The Standard for identifying which mounted safety fall protection fitting to use **Note : That children's products must be installed with all anti-falling fittings.**

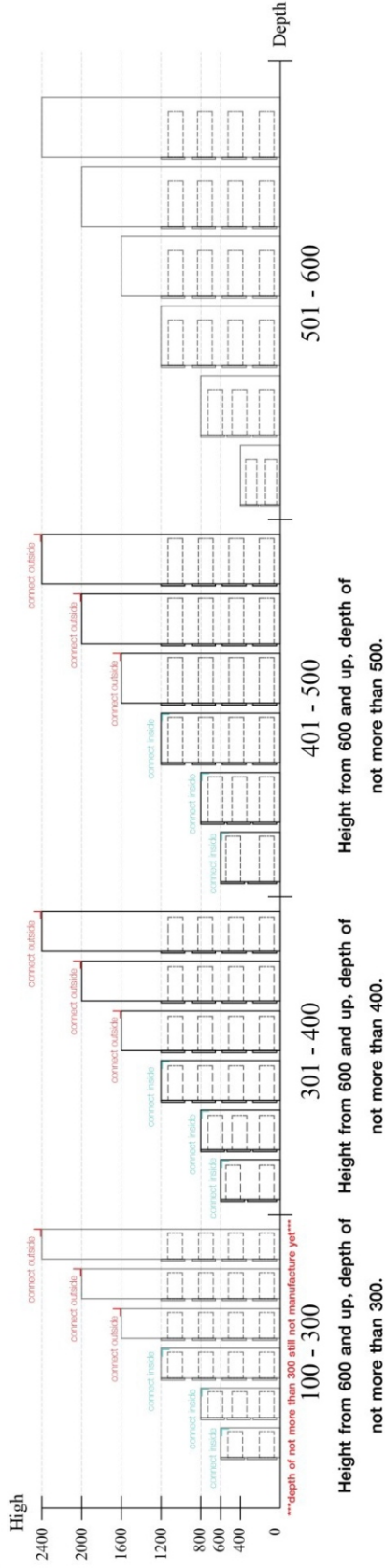
■ Mounted fall protection fittings



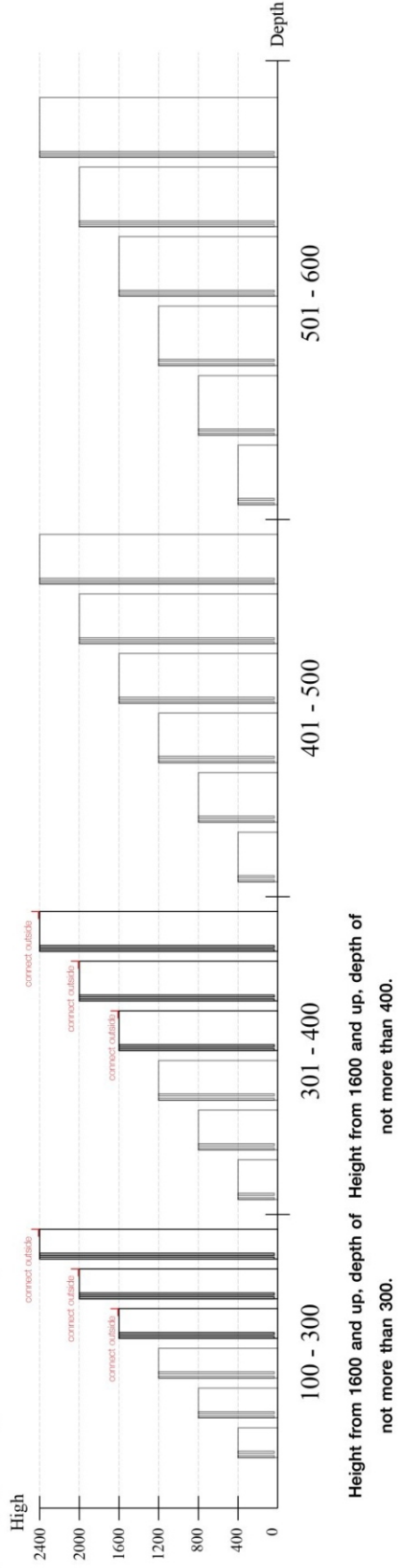
■ Category : Cabinet with open doors



■ Category : Chest of drawers

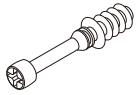


■ Category : Sliding door cabinet / Open cabinet



HARDWARE

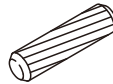
-BODY SET



x 8

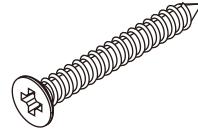


x 8



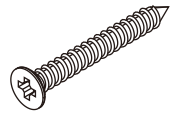
8x35mm.

x 14



M4x50mm.

x 6



M4x40mm.

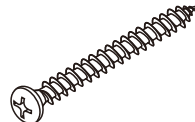
x 2



x 2



x 4

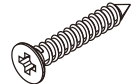


M4x50mm.

x 4



x 6



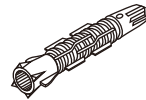
M3.5x20mm.

x 6

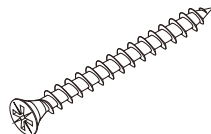


M4x16mm.

x 21

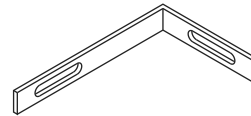


x 1

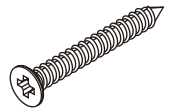


M5x50mm.

x 1



x 1

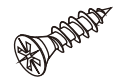


M4x30mm.

x 8

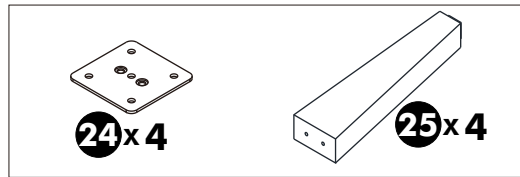


x 2



M4x16mm.

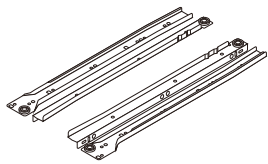
x 4



24x 4

25x 4

-DRAWER SET

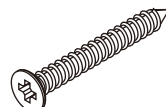


x 3



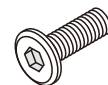
M3.5x13mm.

x 42



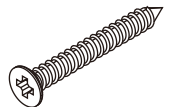
M4x40mm.

x 24



M6x23mm.

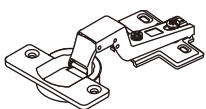
x 10



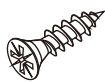
M4x30mm.

x 6

-DOOR SET



x 2



M4x16mm.

x 8



x 2

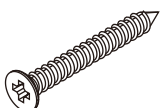


x 2



#M3.5x16

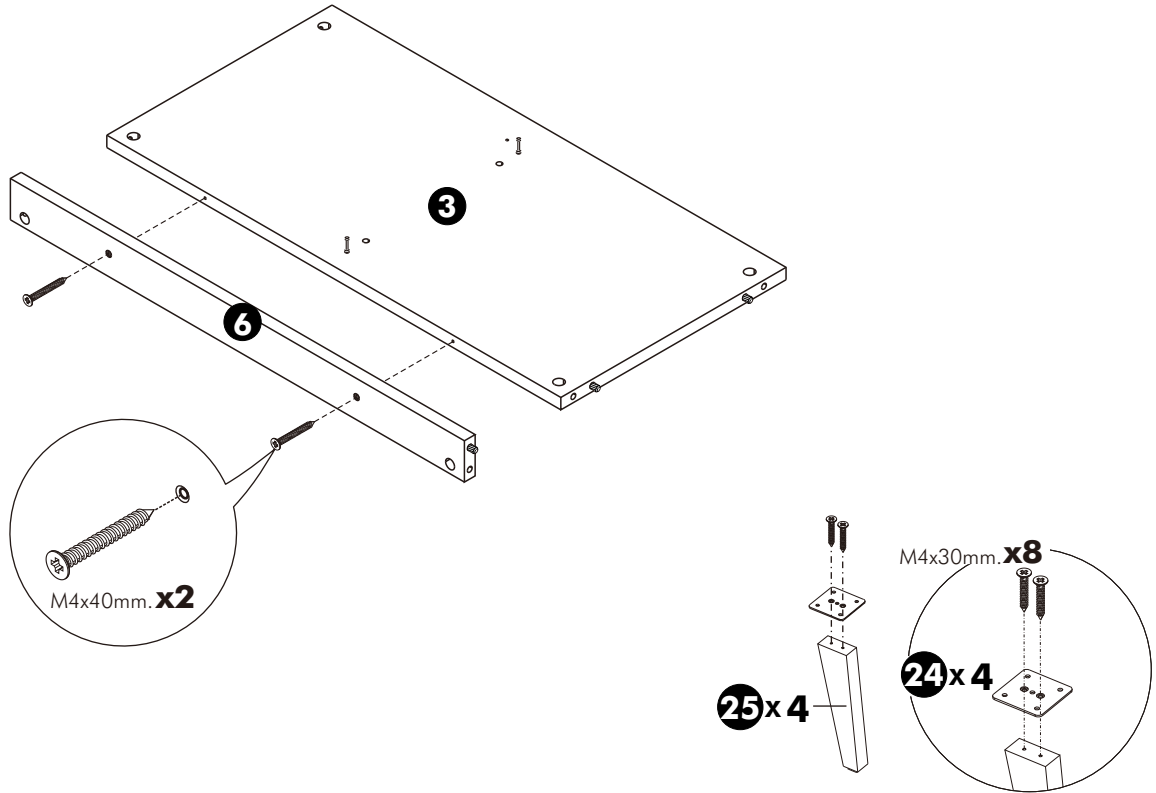
x 2



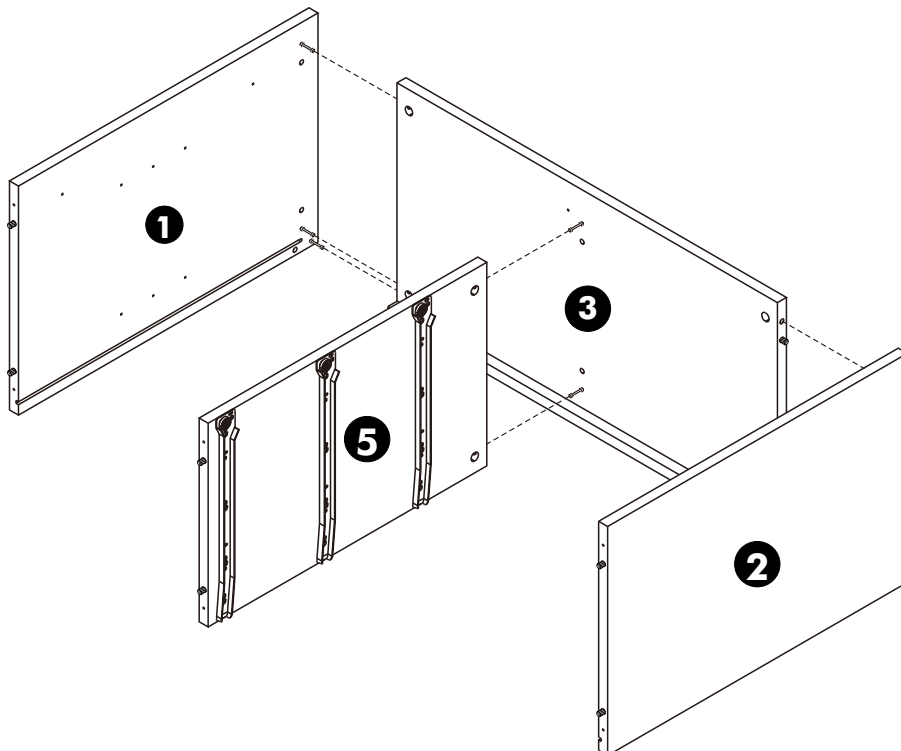
M4x30mm.

x 3

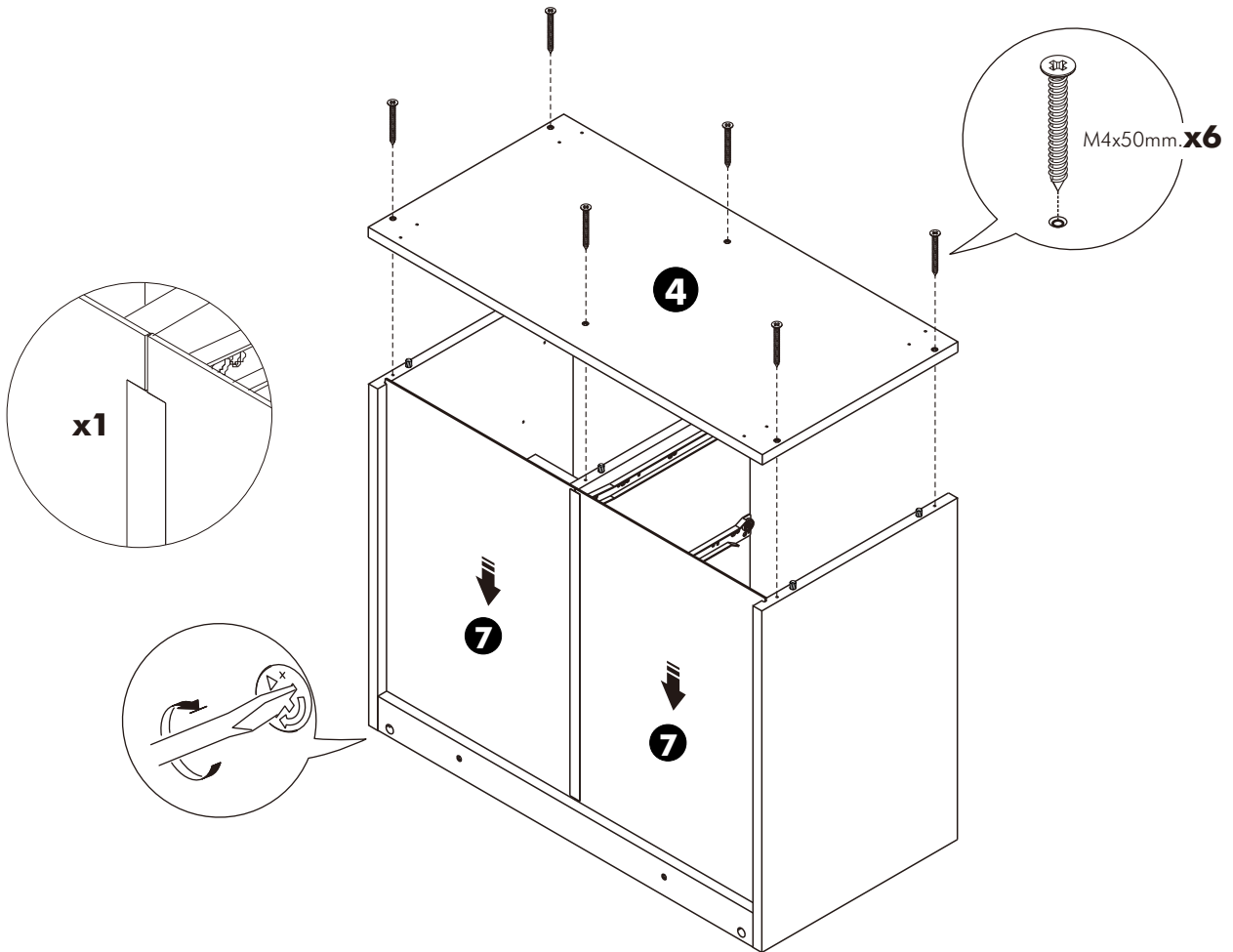
1.



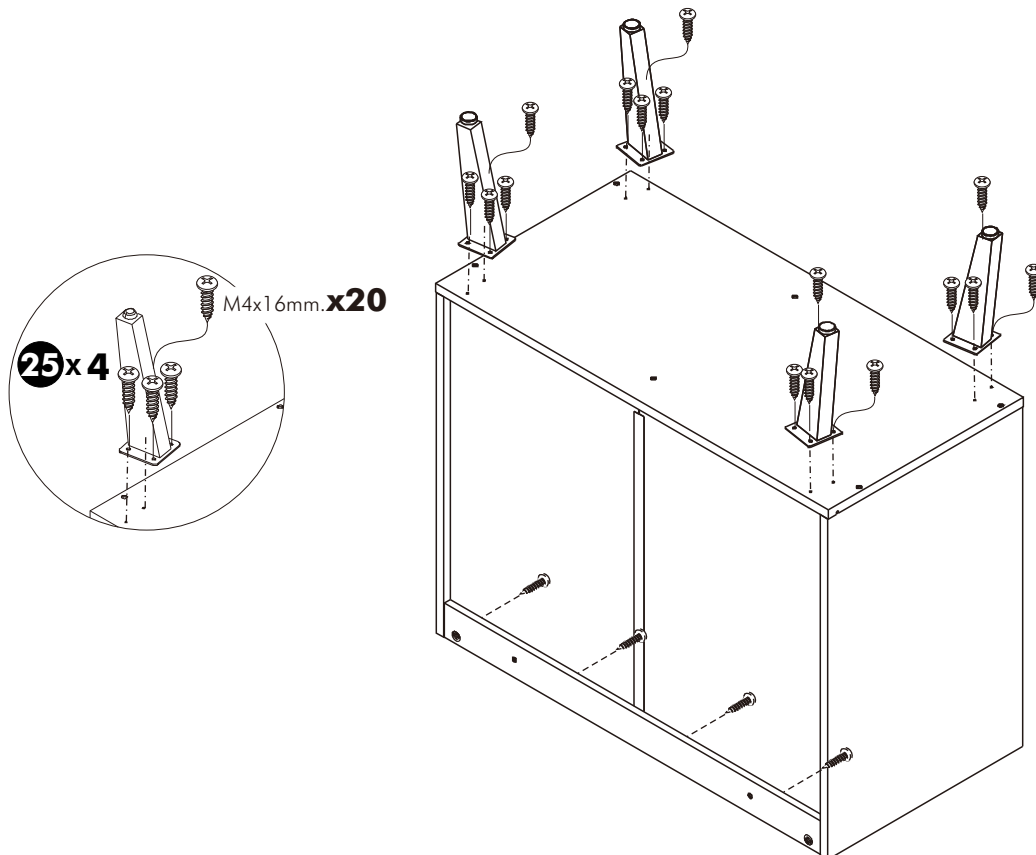
2.



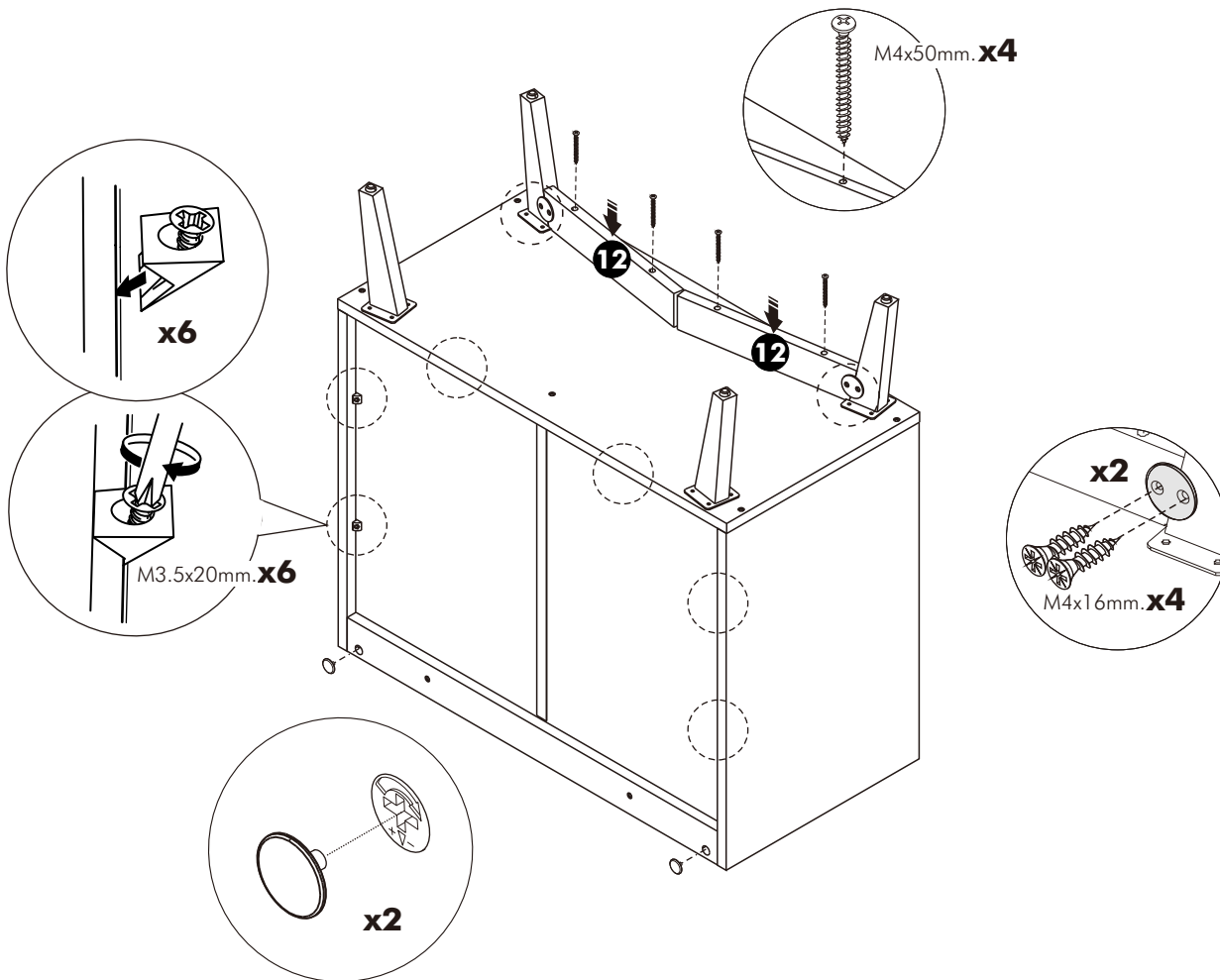
3.



4.

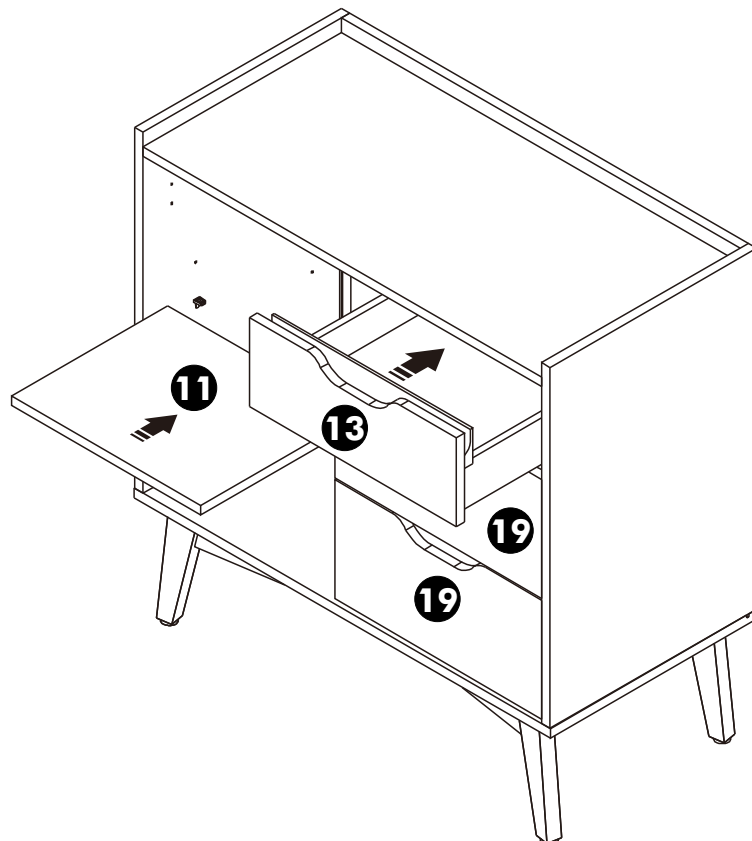
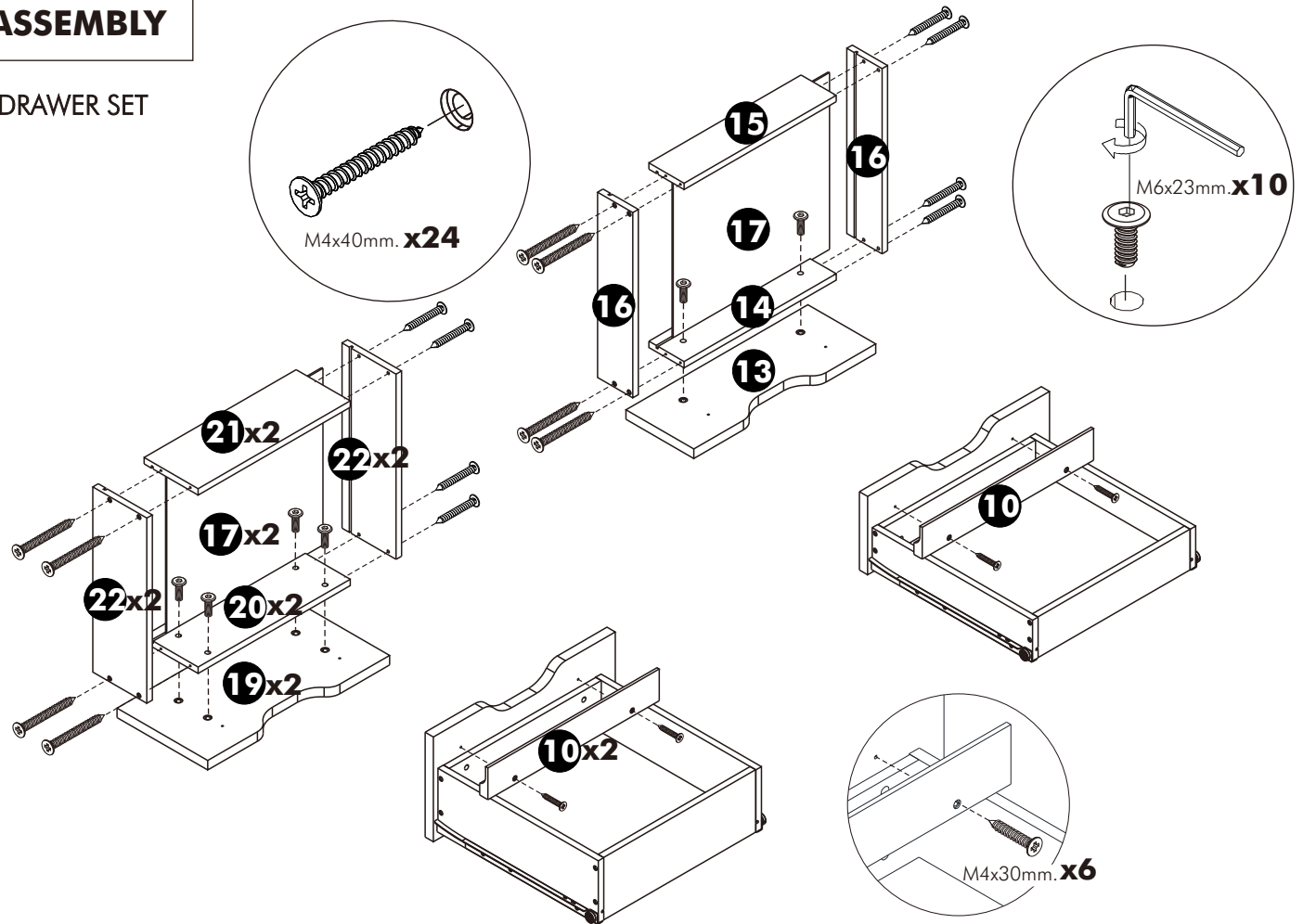


5.



ASSEMBLY

-DRAWER SET



ASSEMBLY

-DOOR SET

