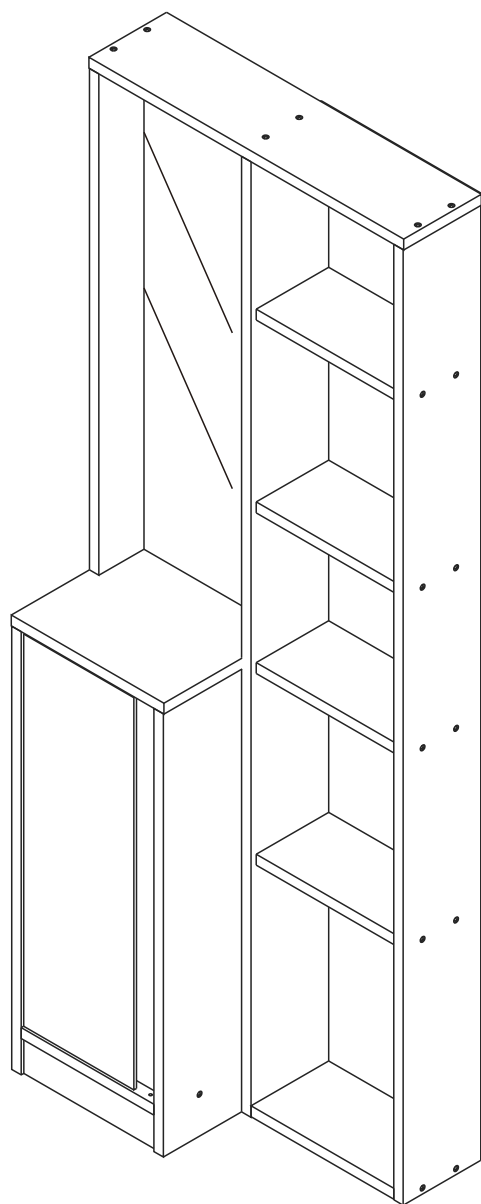
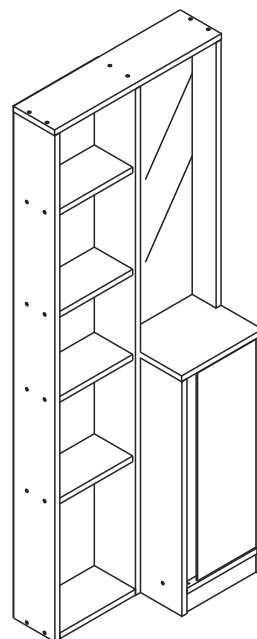


# CO-SPENCER

## Dressing Table

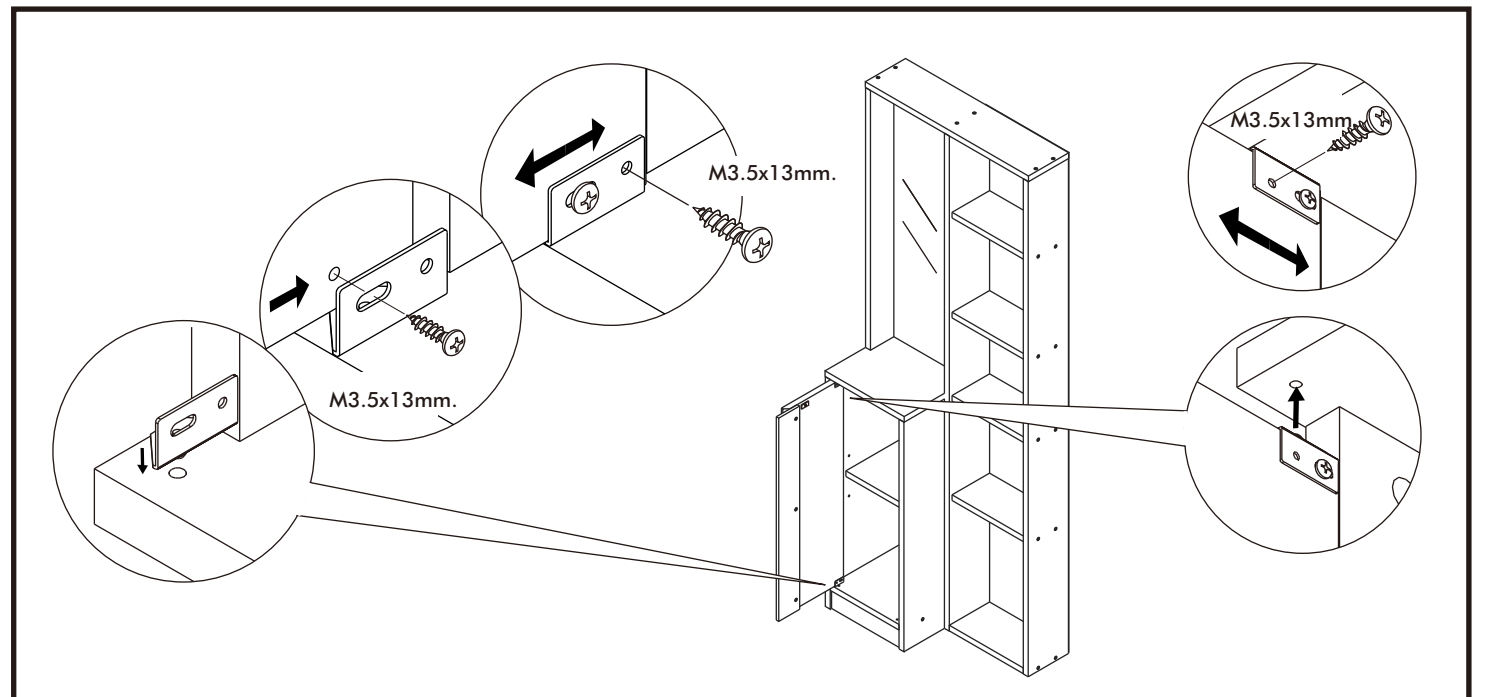
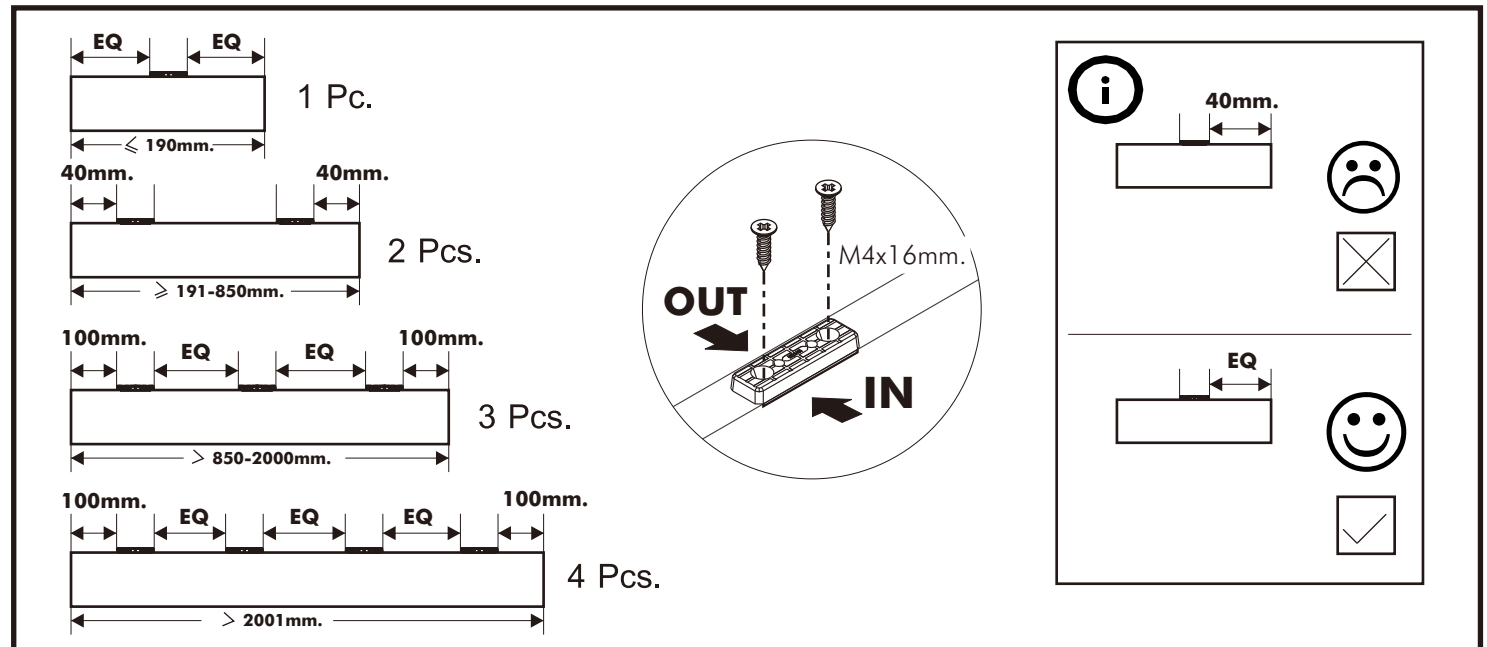
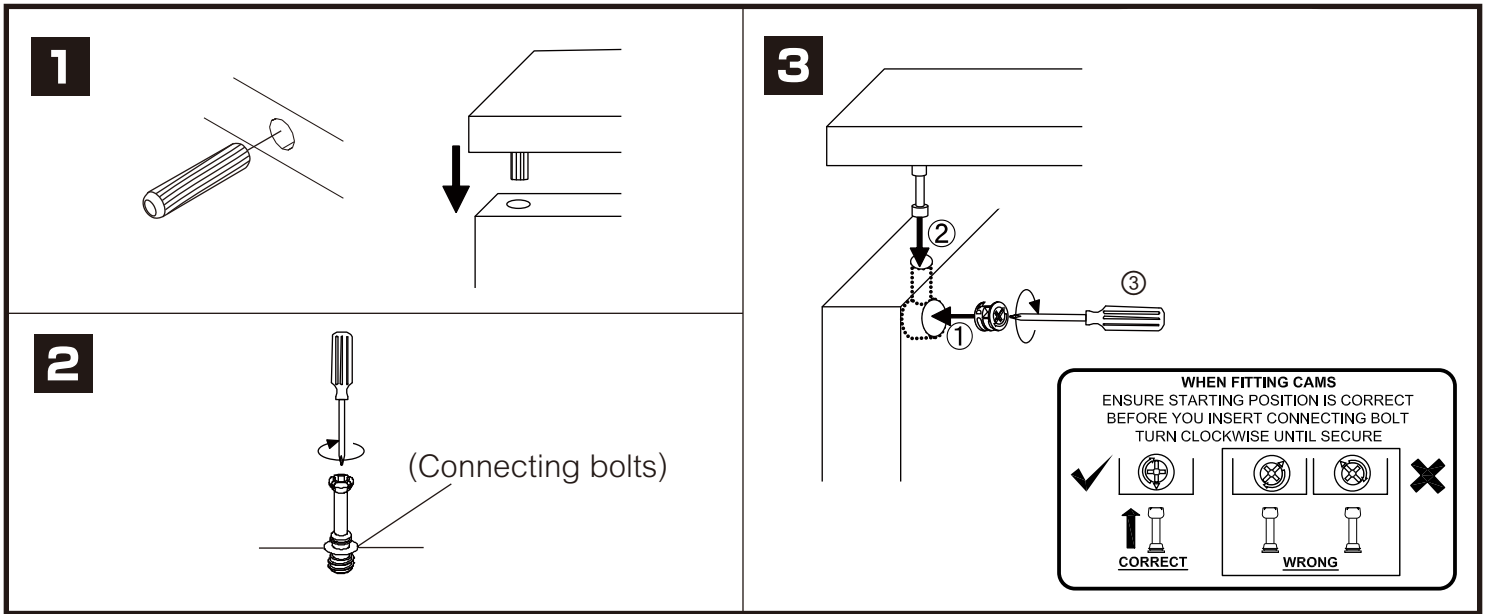


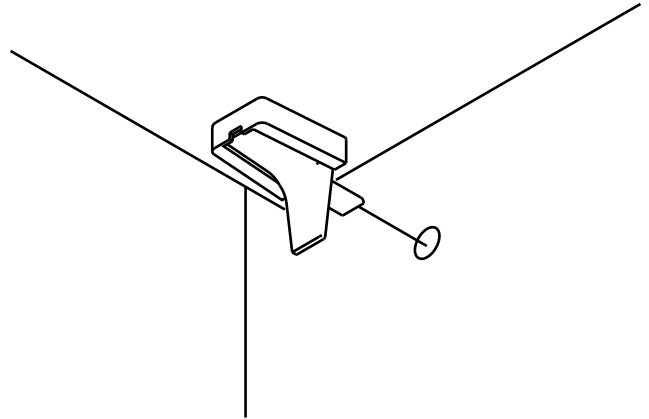
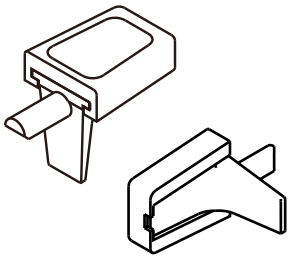
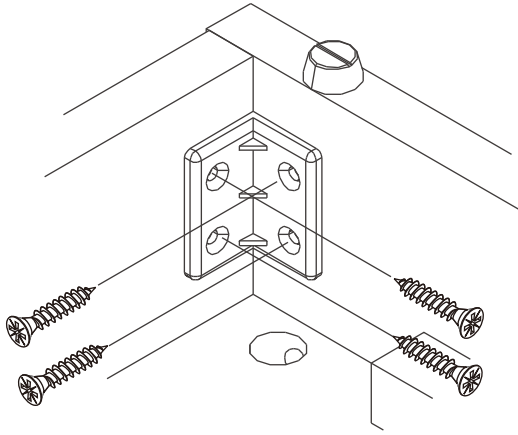
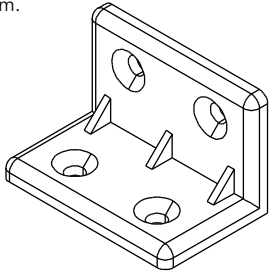
TYPE:RIGHT



TYPE:LEFT

# CONNECT SYSTEM

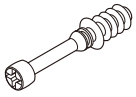






# HARDWARE

## -BODY SET

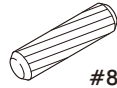


**x 4**



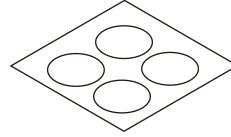
19mm.

**x 4**

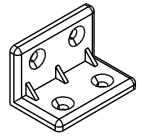


#8x35

**x 8**



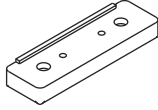
**x 17**



**x 11**



**x 4**

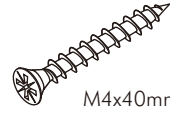


**x 6**



M4x16mm.

**x 56**



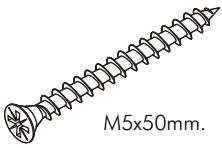
M4x40mm.

**x 30**



M4x30mm.

**x 2**



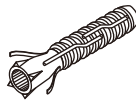
M5x50mm.

**x 1**

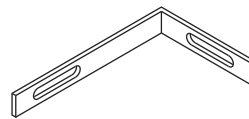


M4x16mm.

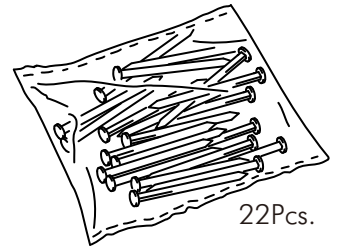
**x 1**



**x 1**



**x 1**



22Pcs.

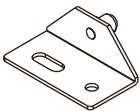
**x 1**



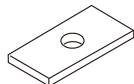
M4x20mm.

**x 3**

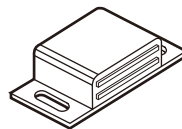
## -DRAWER SET



**x 2**



**x 1**



**x 1**



M3.5x13mm.

**x 6**



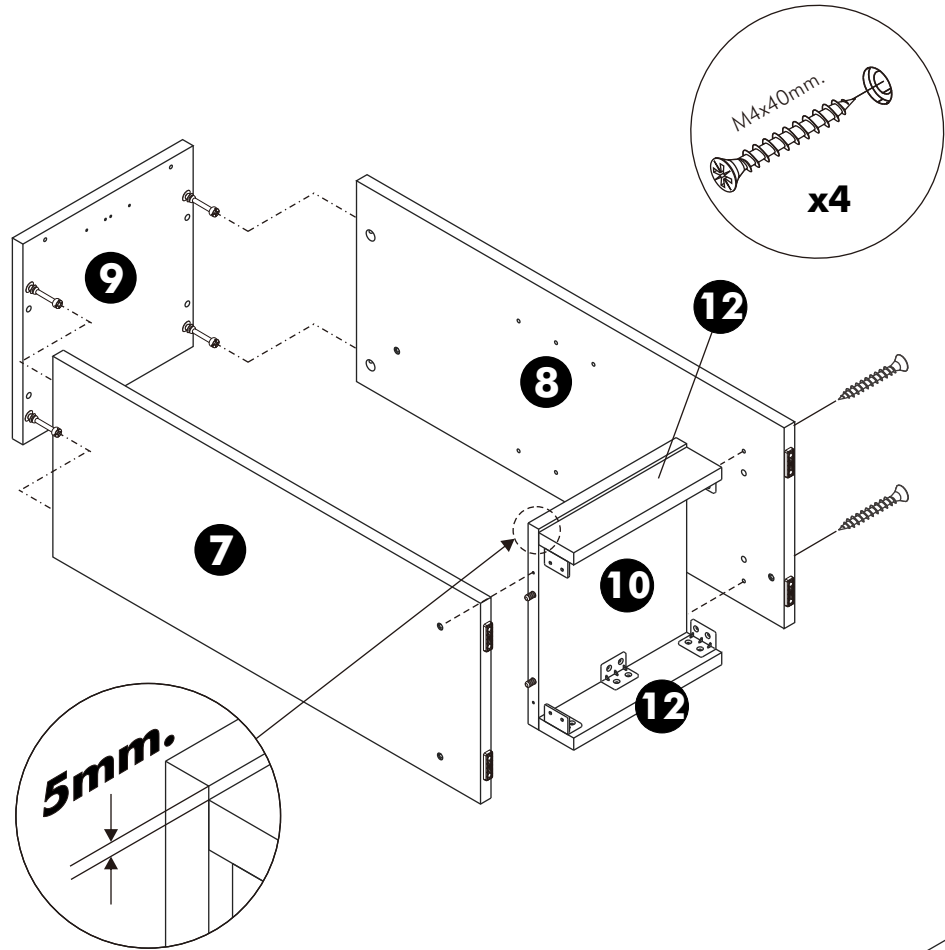
M3.5x16mm.

**x 1**

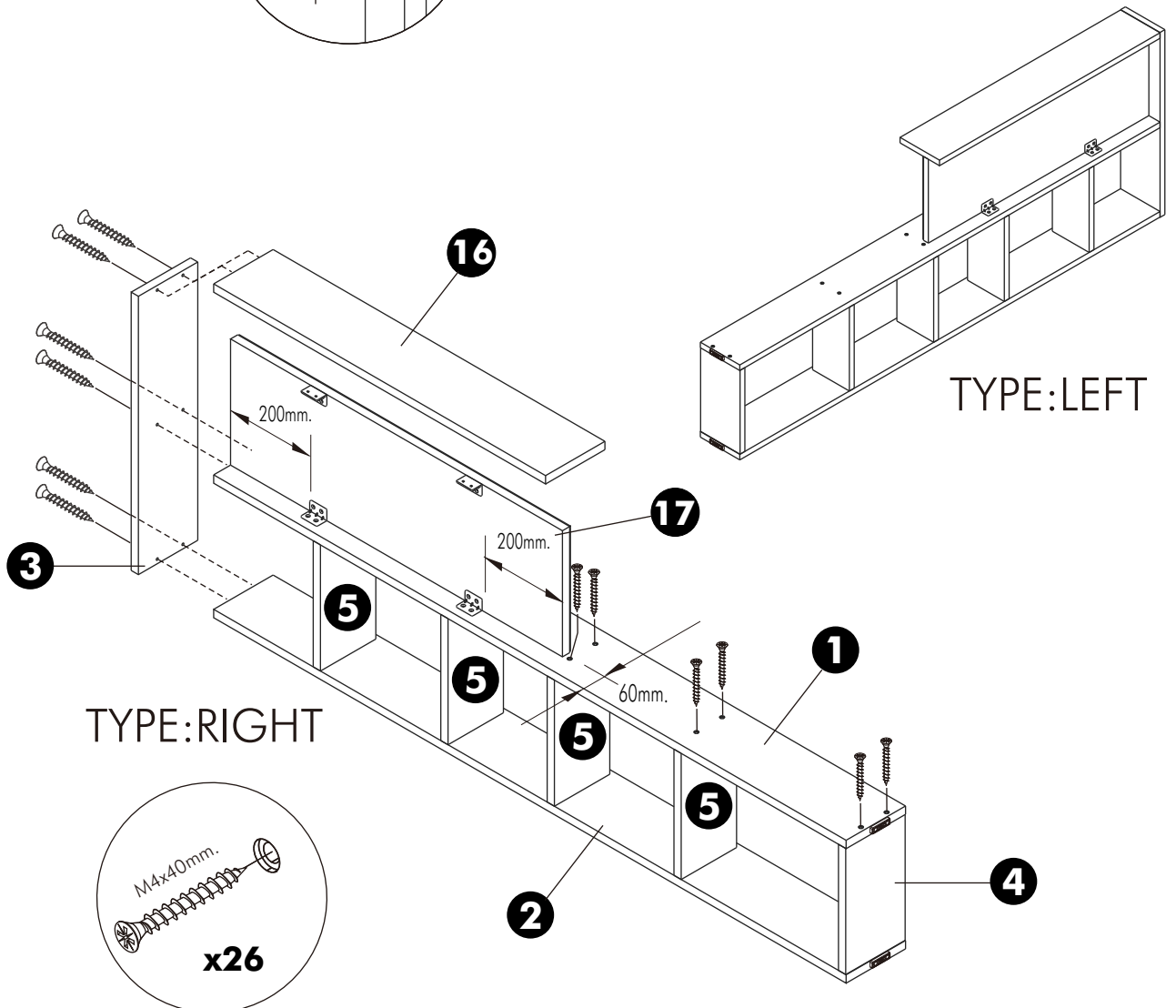
# ASSEMBLY

-BODY SET

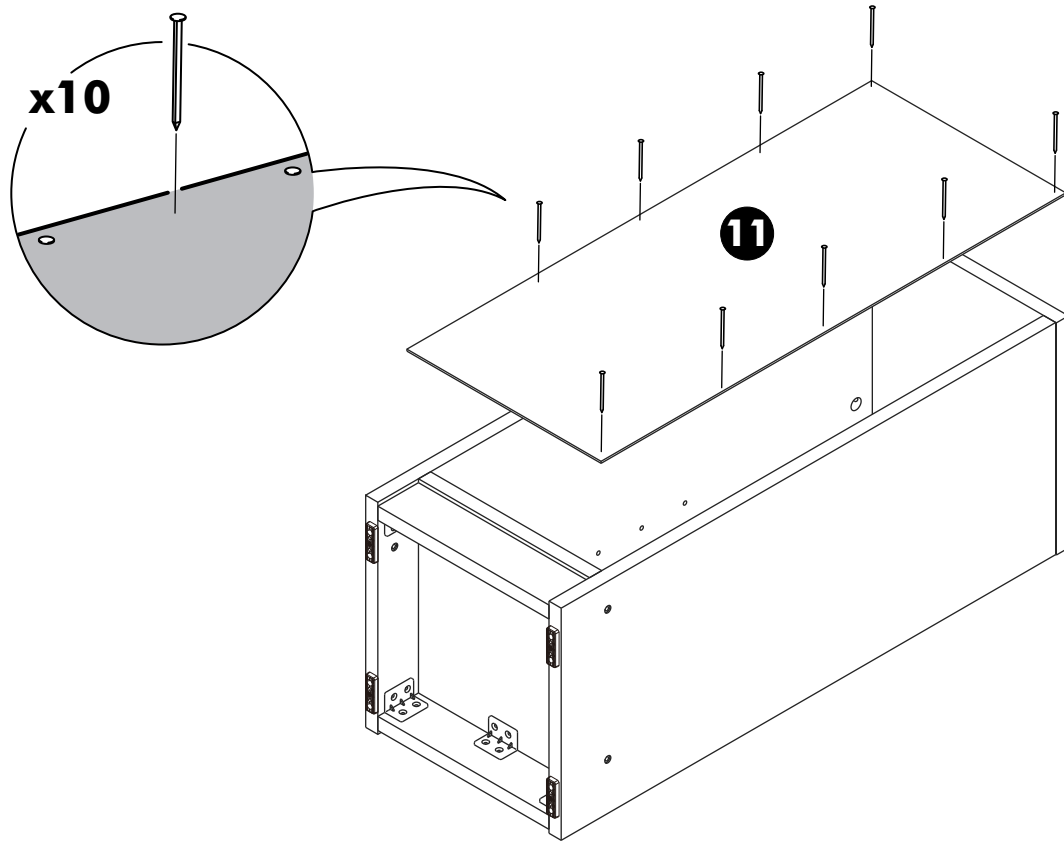
**1.**



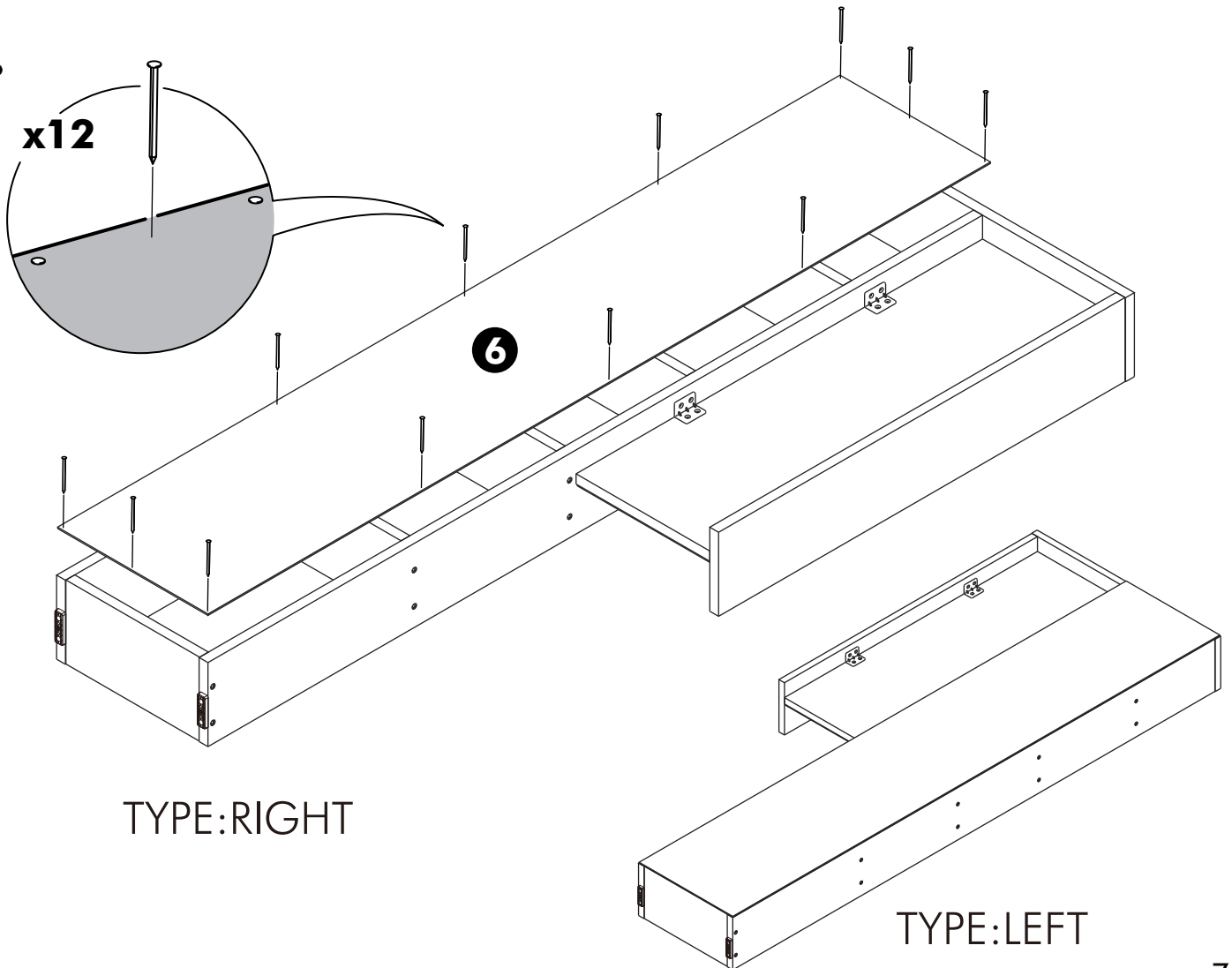
**2.**



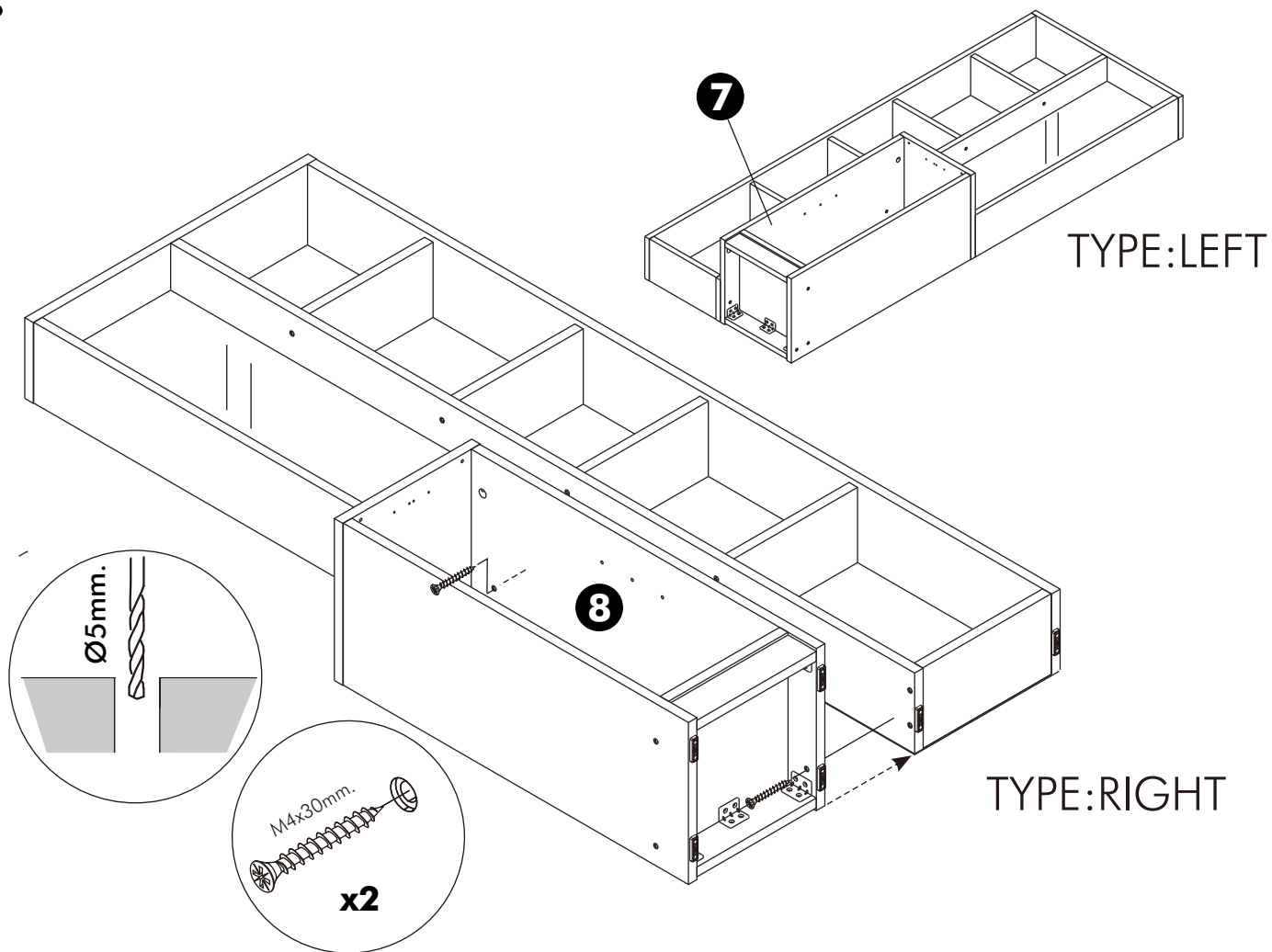
**3.**



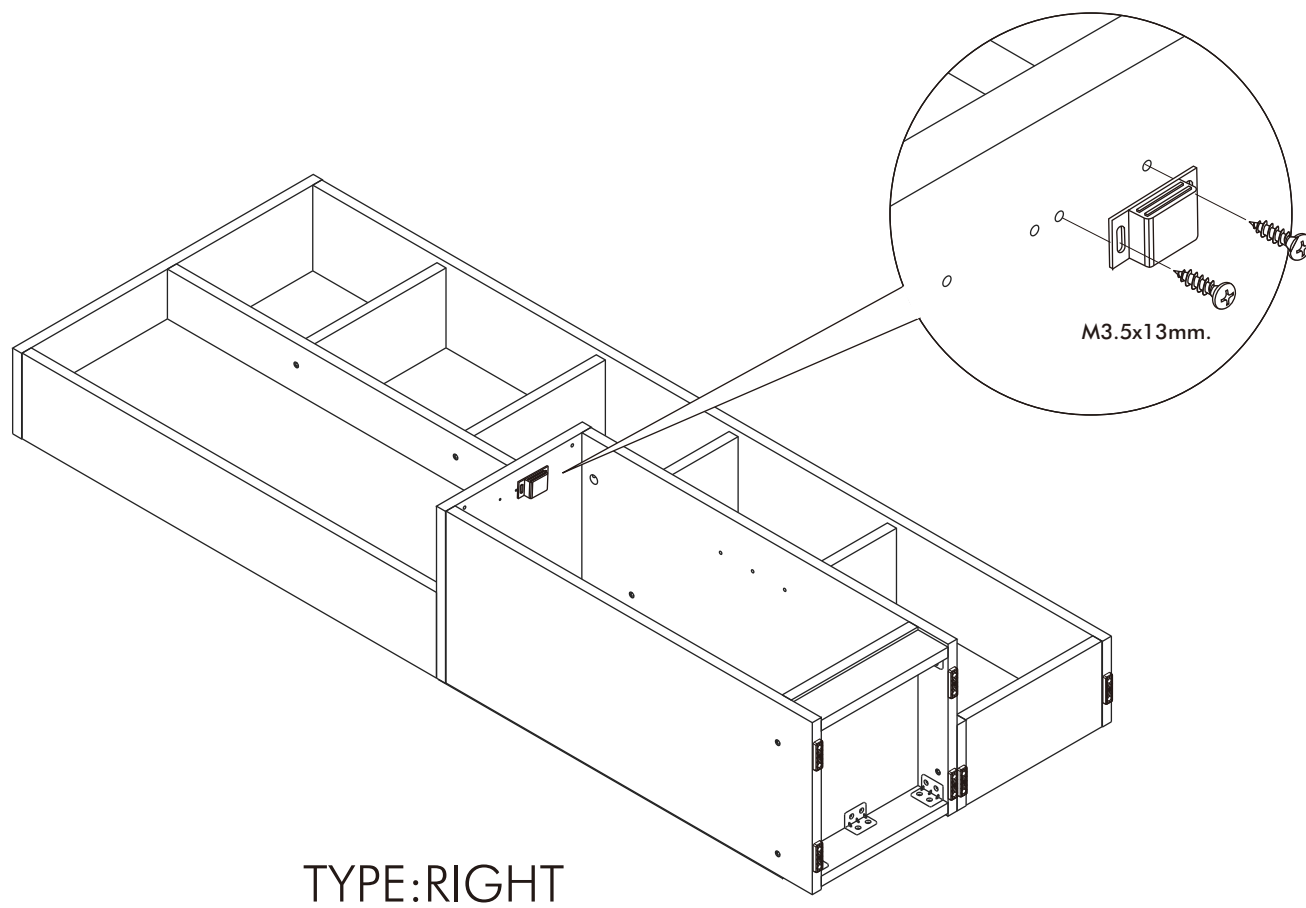
**4.**



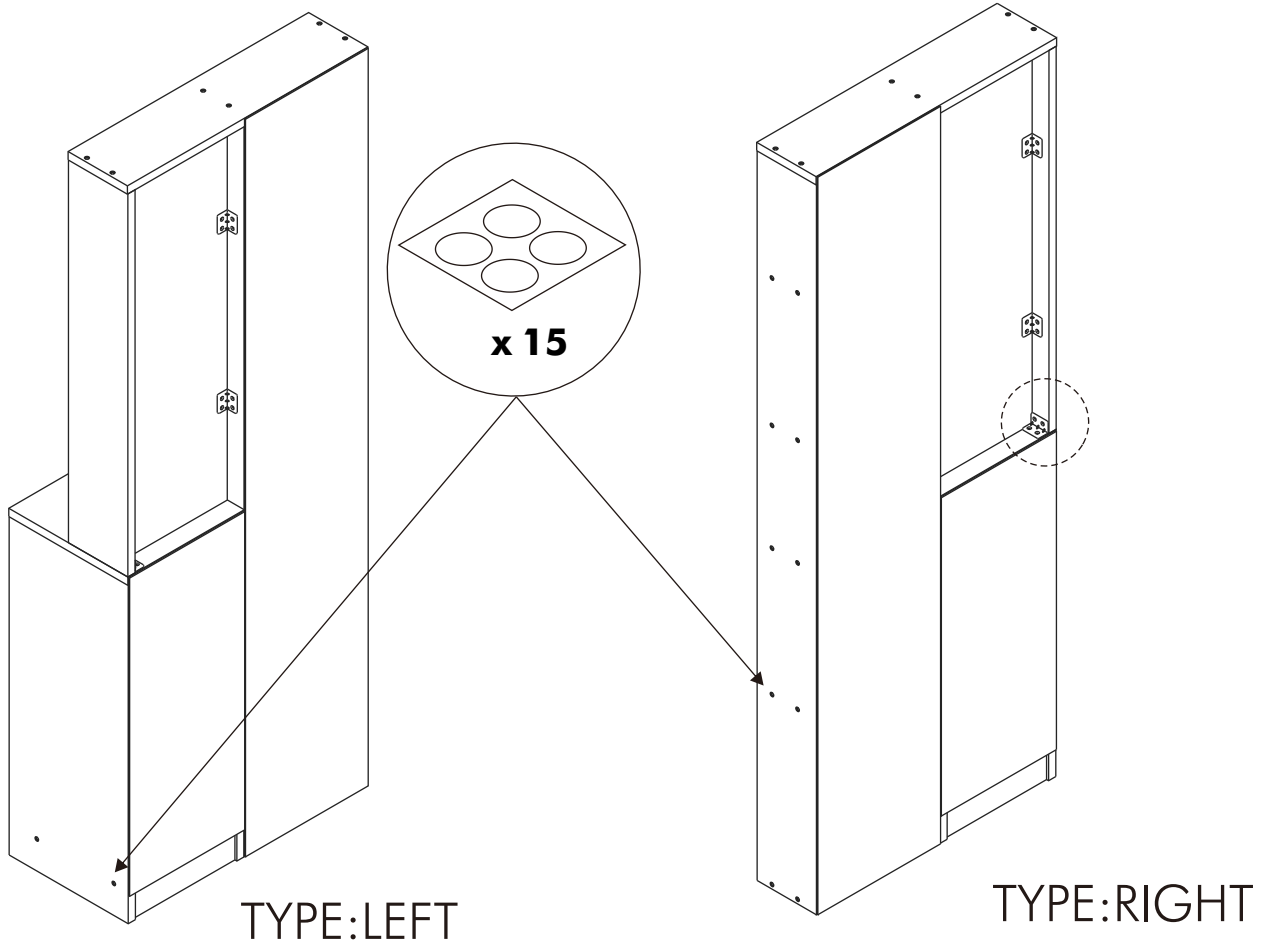
**5.**



**6.**



**7.**



**ASSEMBLY**

-DOOR SET TYPE:RIGHT

**8.**

