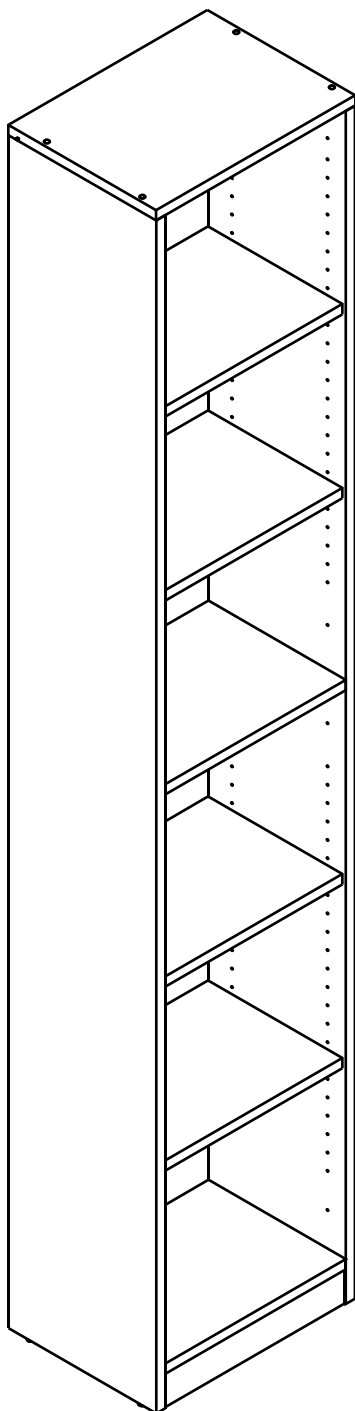
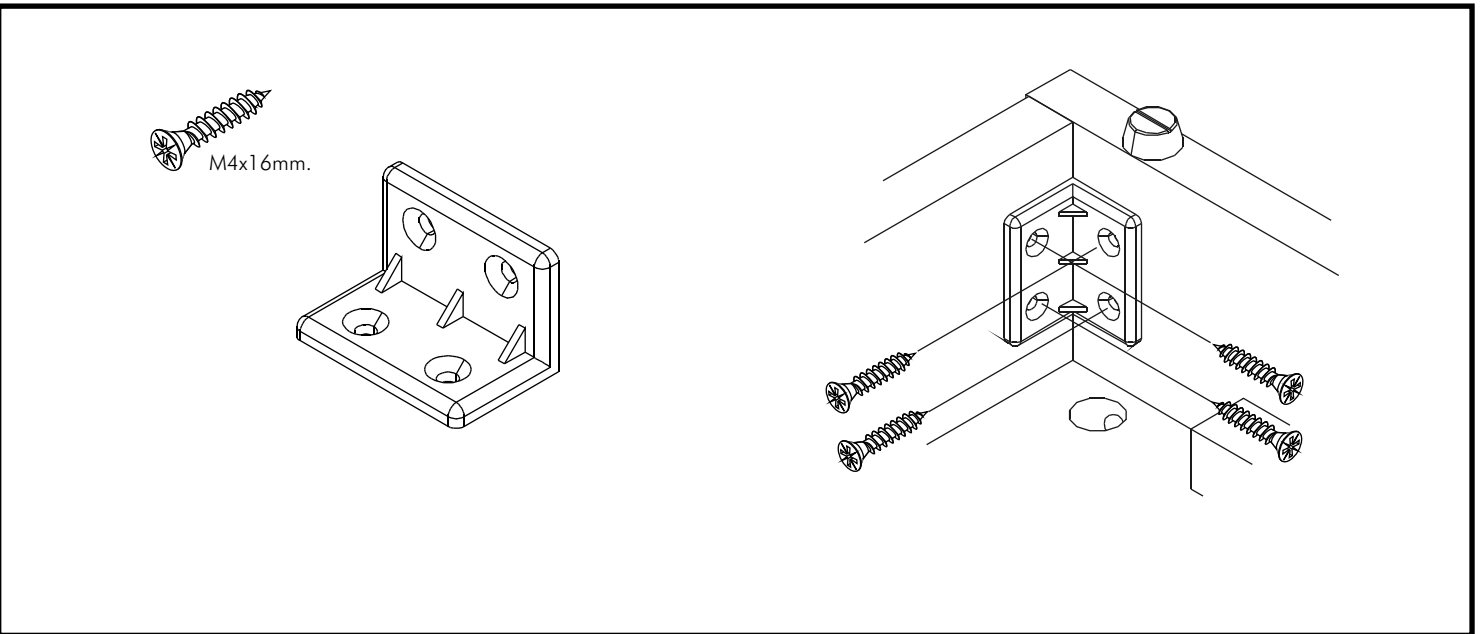
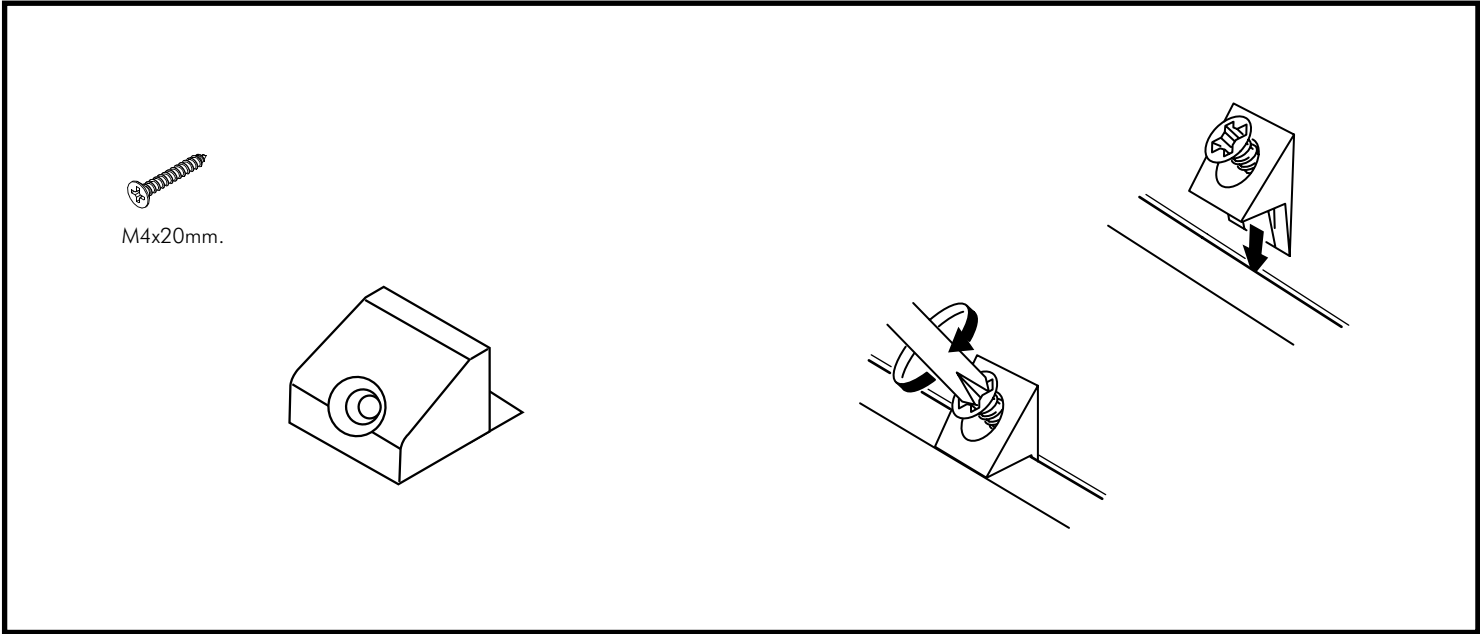


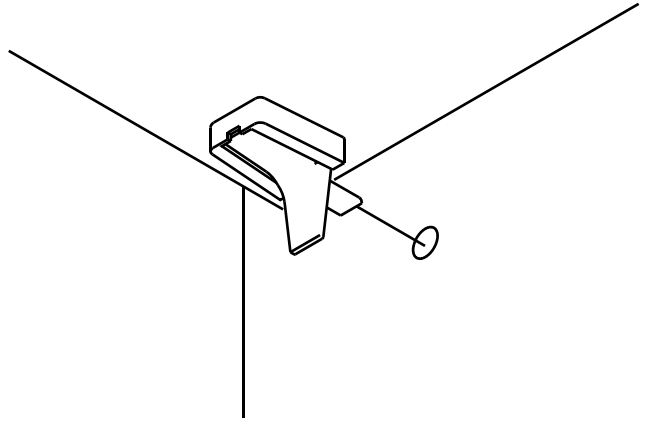
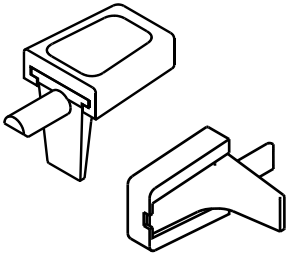
# EXTREME

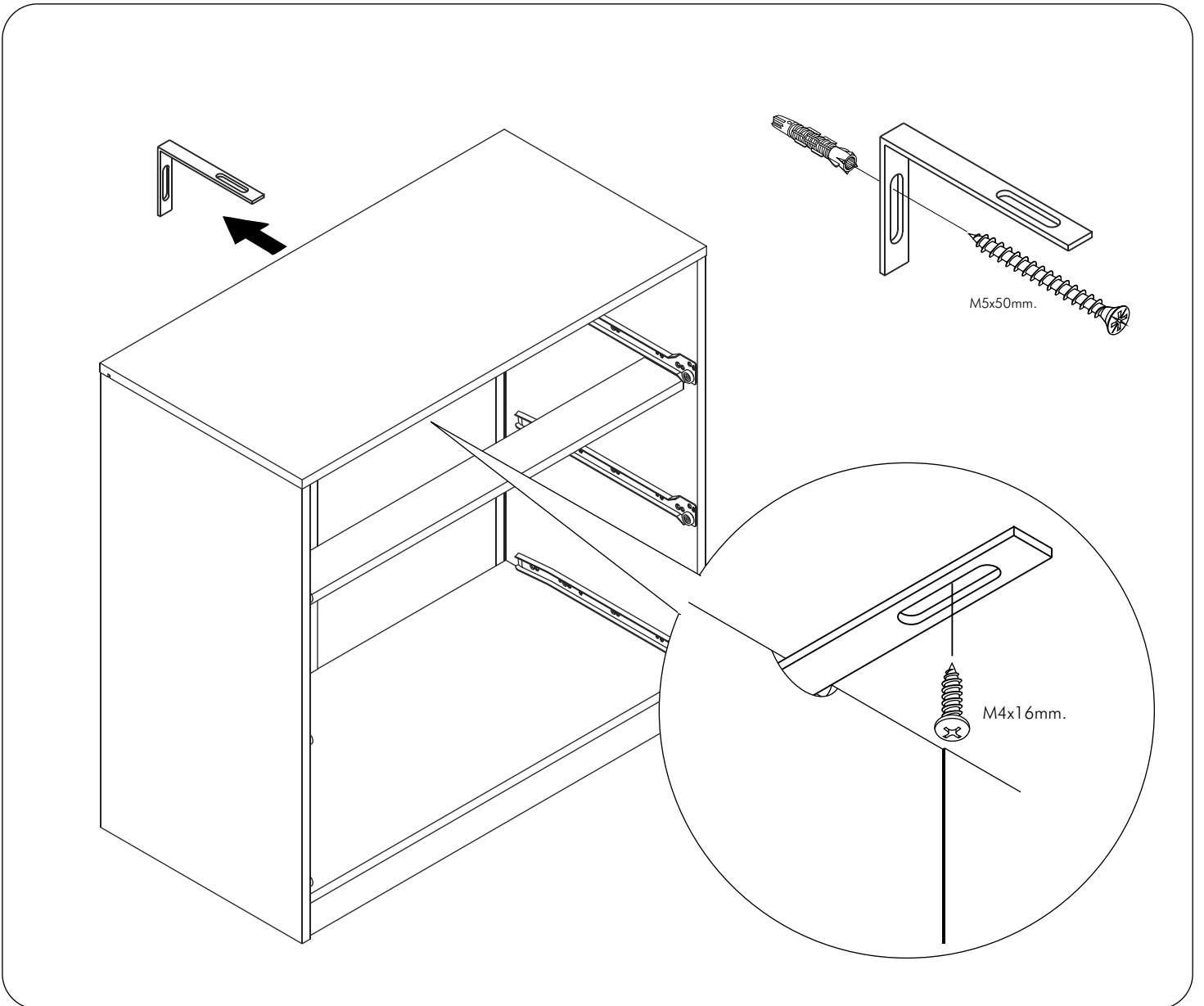
Living high shelf 40 cm.



# CONNECT SYSTEM

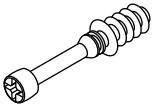






# HARDWARE

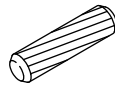
## -BODY SET



**X 8**



**X 8**



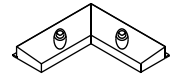
#8x35

**X 12**



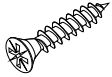
#F+M4x16

**X 24**



#63x63mm.

**X 2**



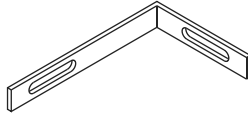
#F+M3.5x20

**X 11**

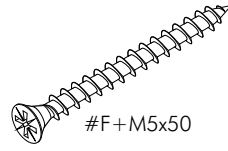


#P+M4x16

**X 5**

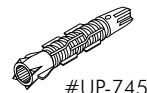


**X 1**



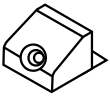
#F+M5x50

**X 1**

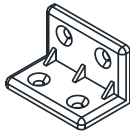


#UP-745

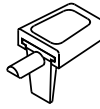
**X 1**



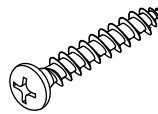
**X 7**



**X 4**

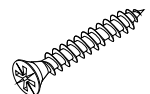


**X 16**



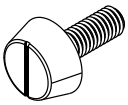
#P+M4x30

**X 8**

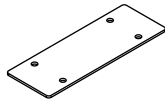


#F+M4x30

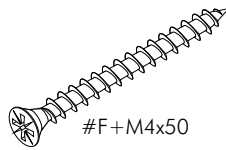
**X 4**



**X 4**



**X 2**



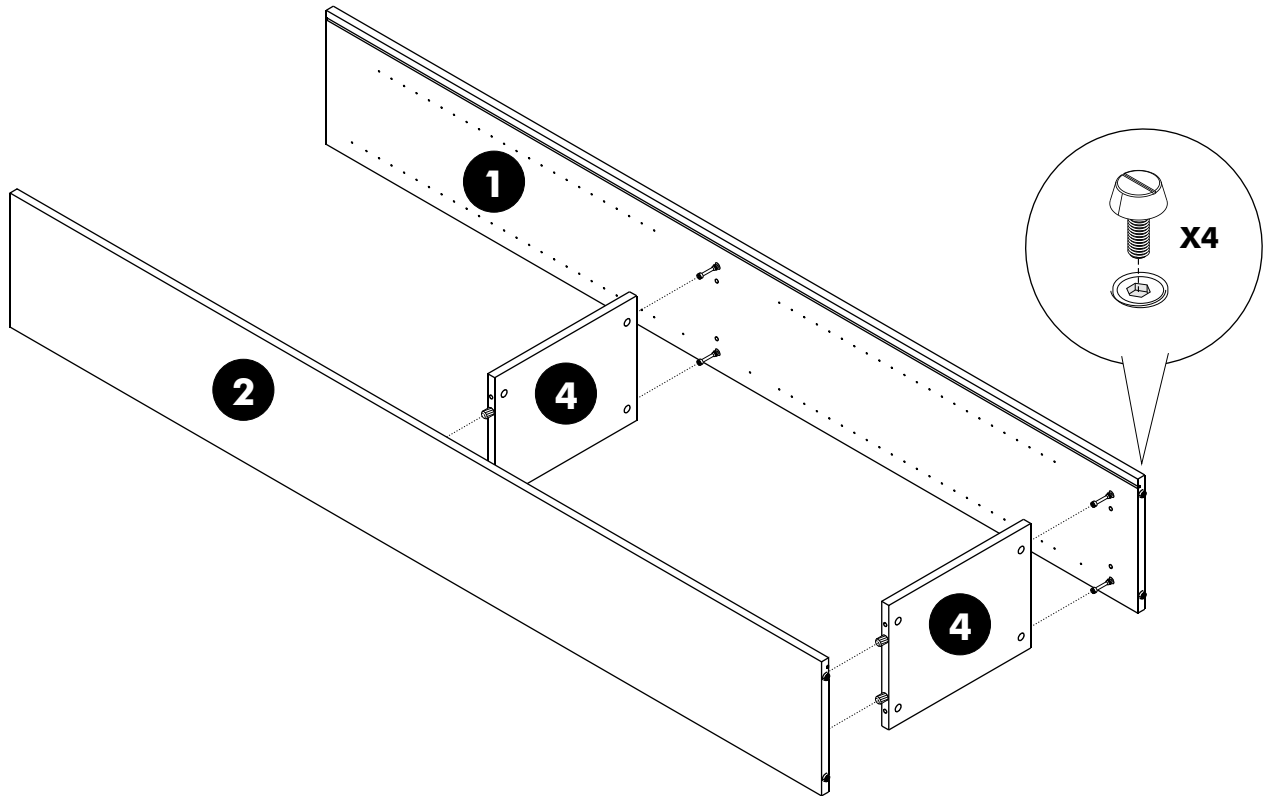
#F+M4x50

**X 4**

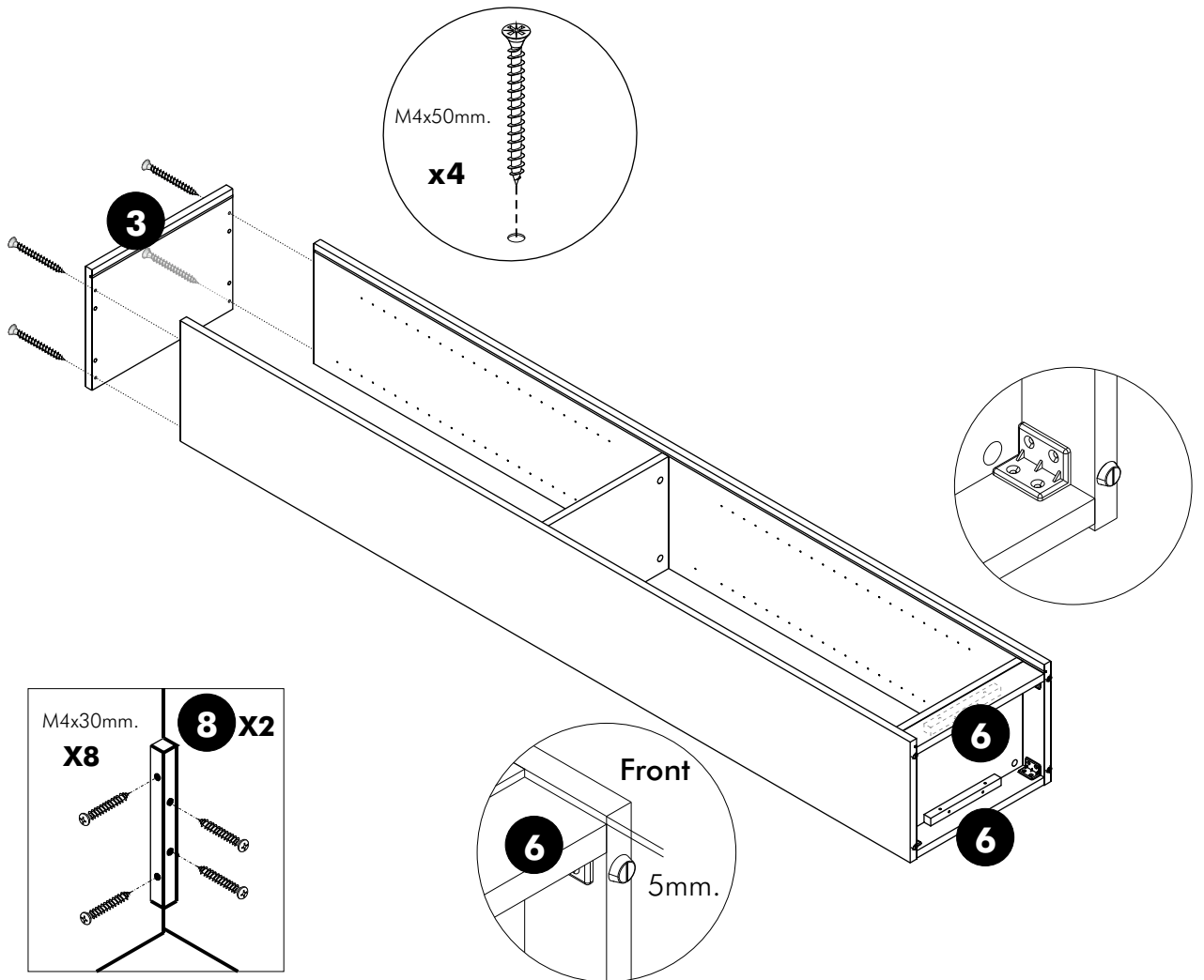
1.

**ASSEMBLY**

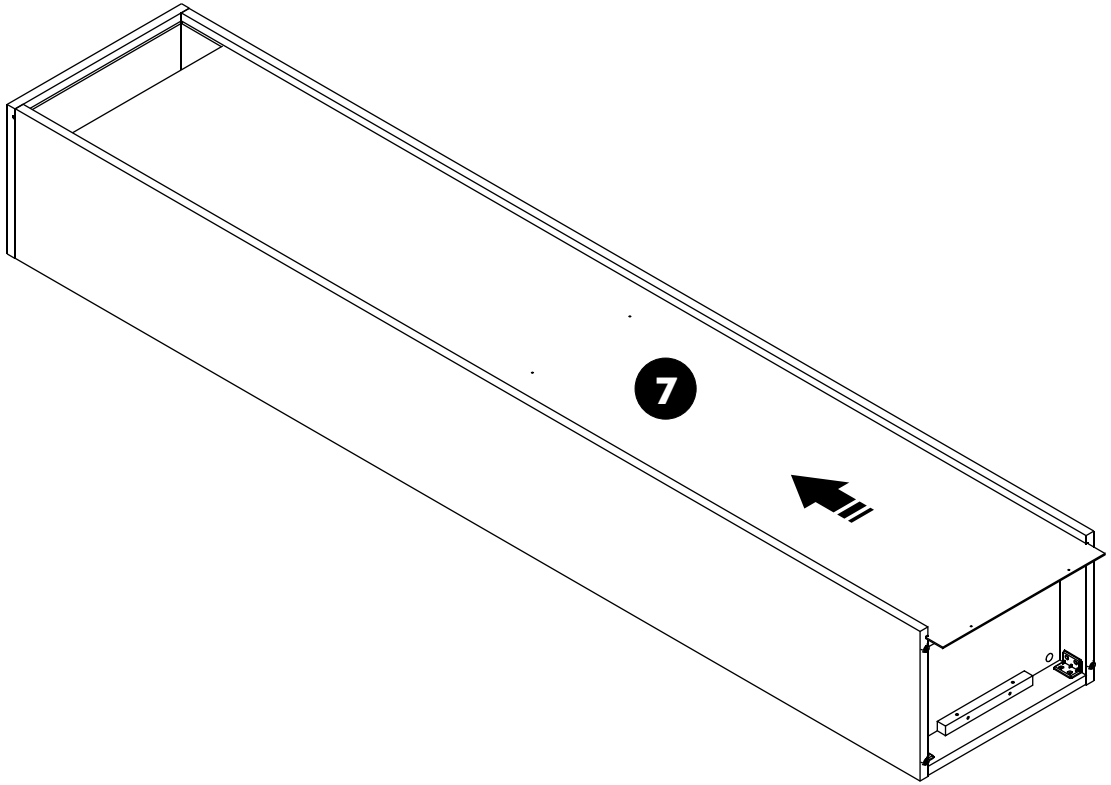
-BODY SET



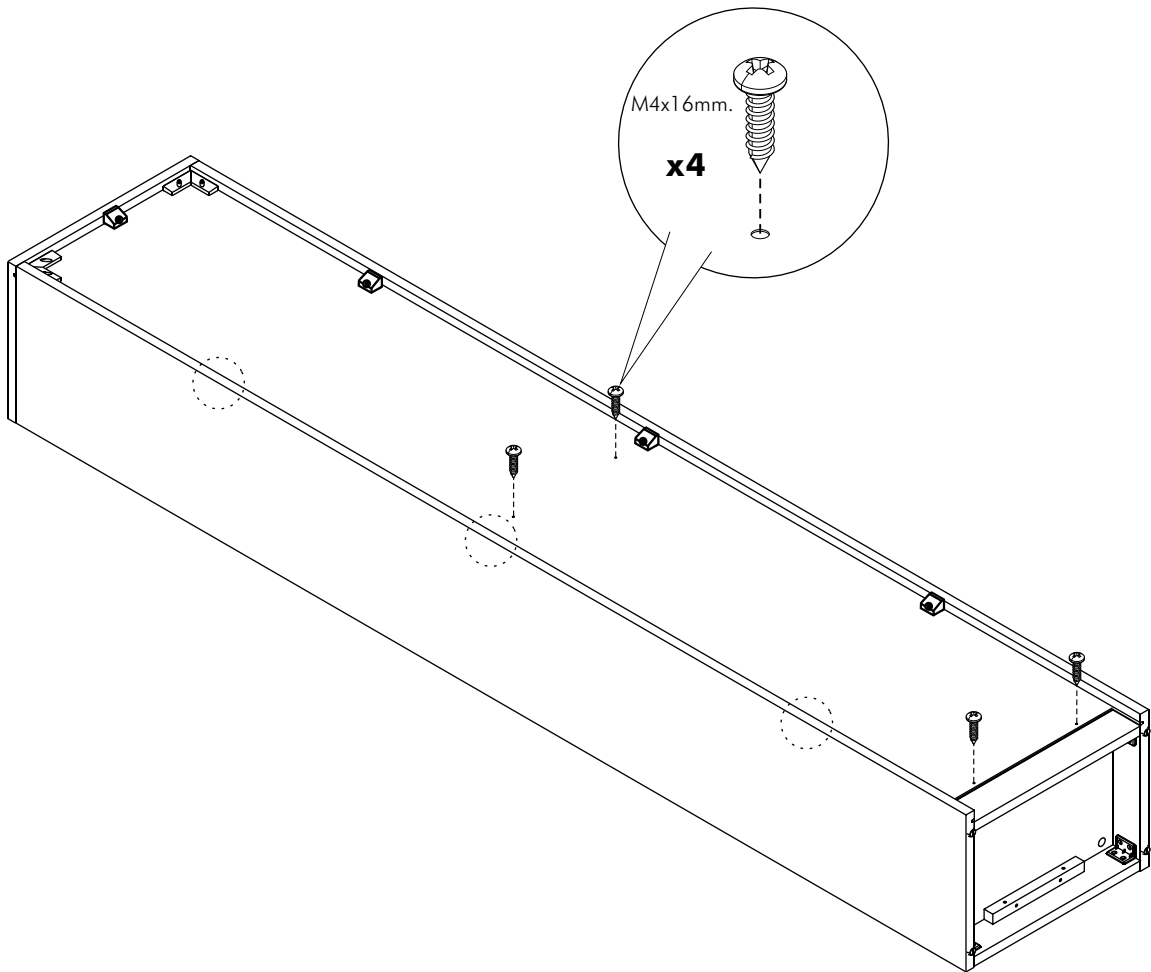
2.



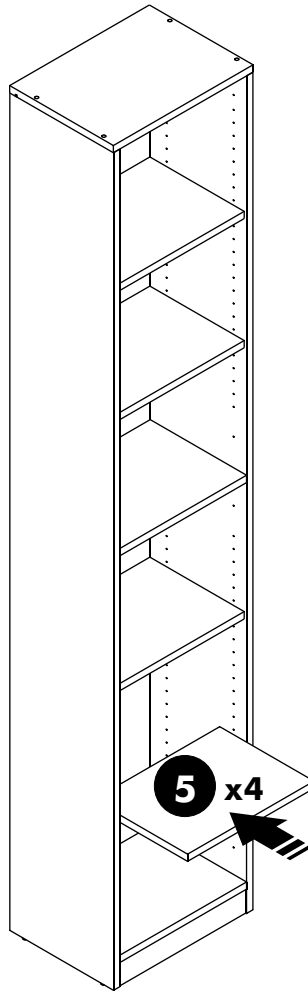
**3.**



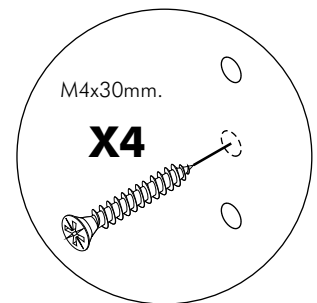
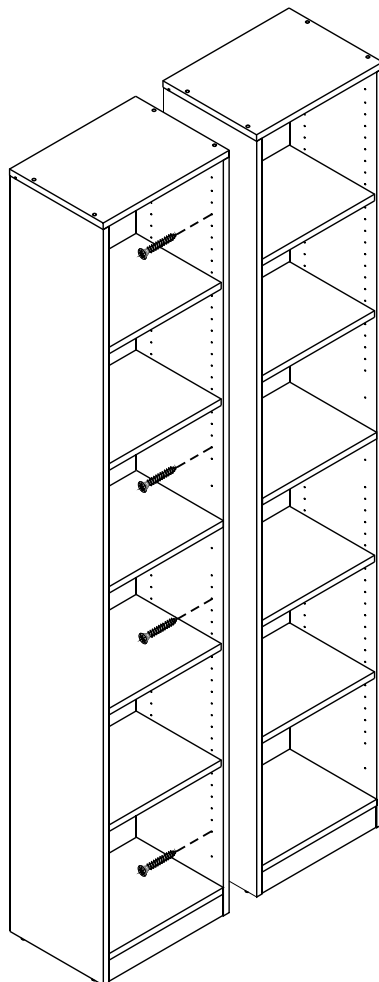
**4.**



**5.**



**6.**



**7.**

