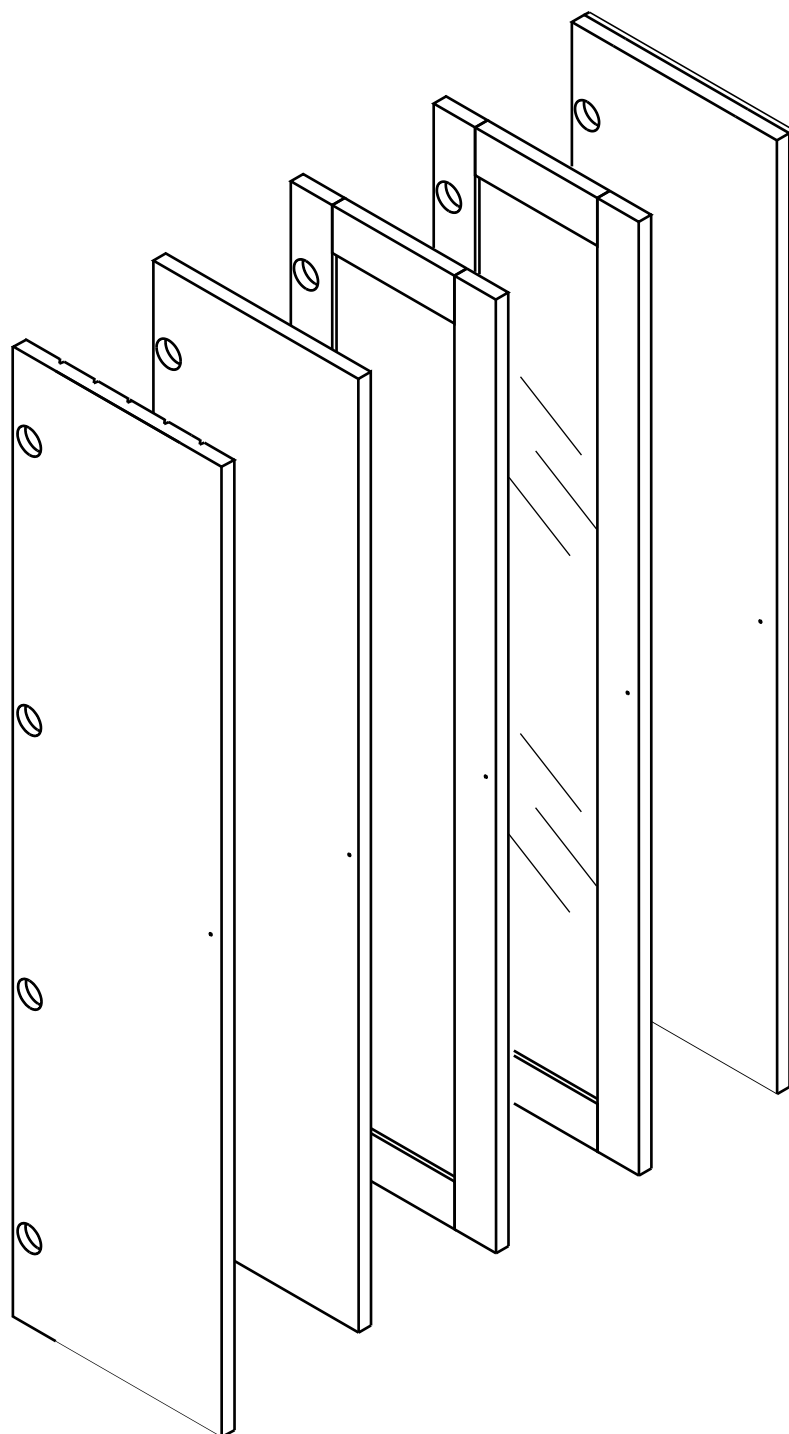
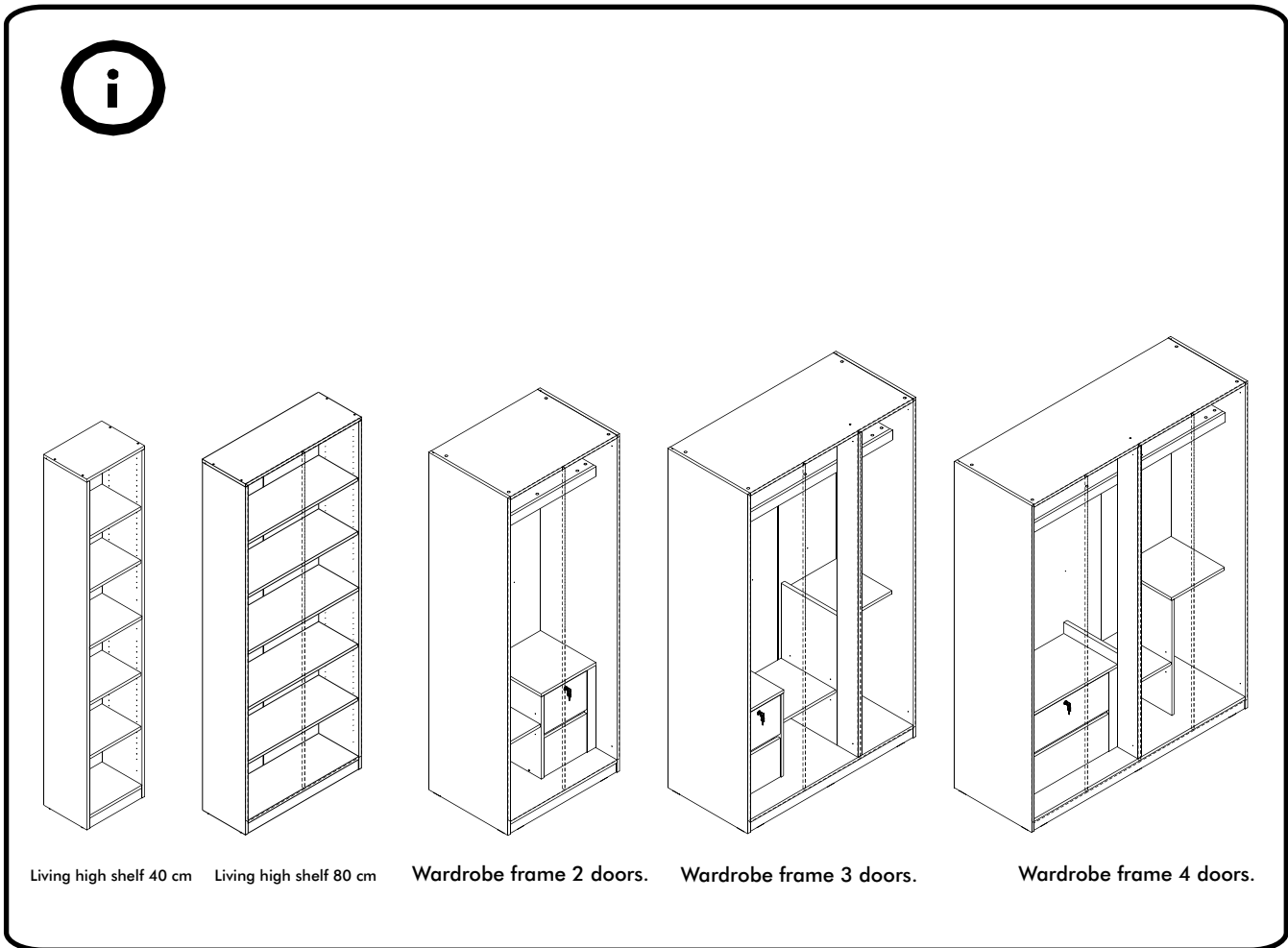
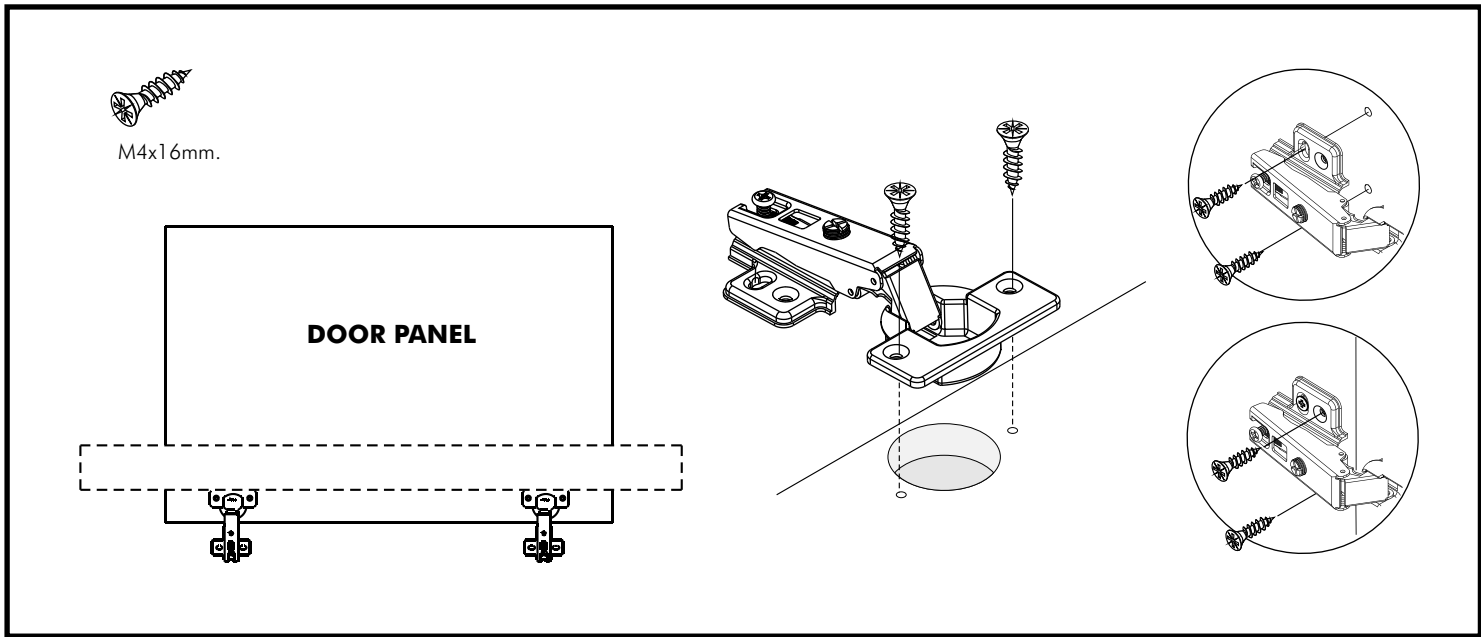


# EXTREME

**Glass door**  
**Wooden door**

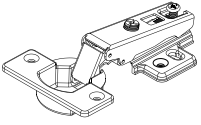


# CONNECT SYSTEM



# HARDWARE

-DOOR SET



**x 4**



M4x16mm.

**x 24**

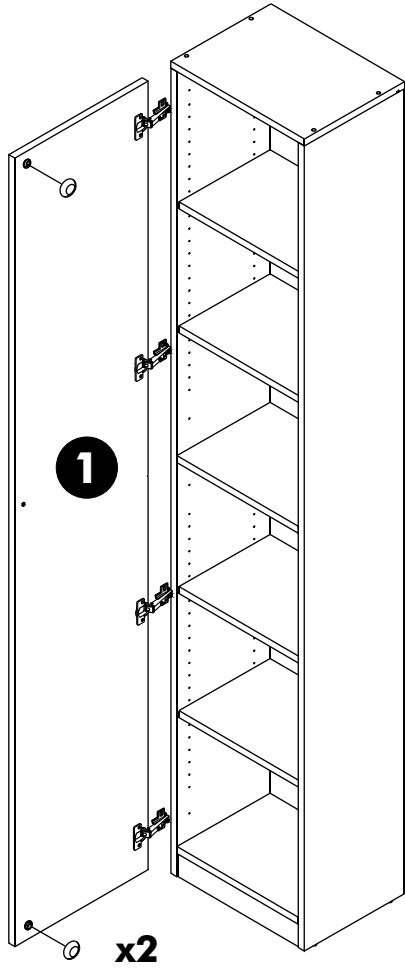


**x 2**

**ASSEMBLY**

-DOOR SET

**1.**



**2.**

