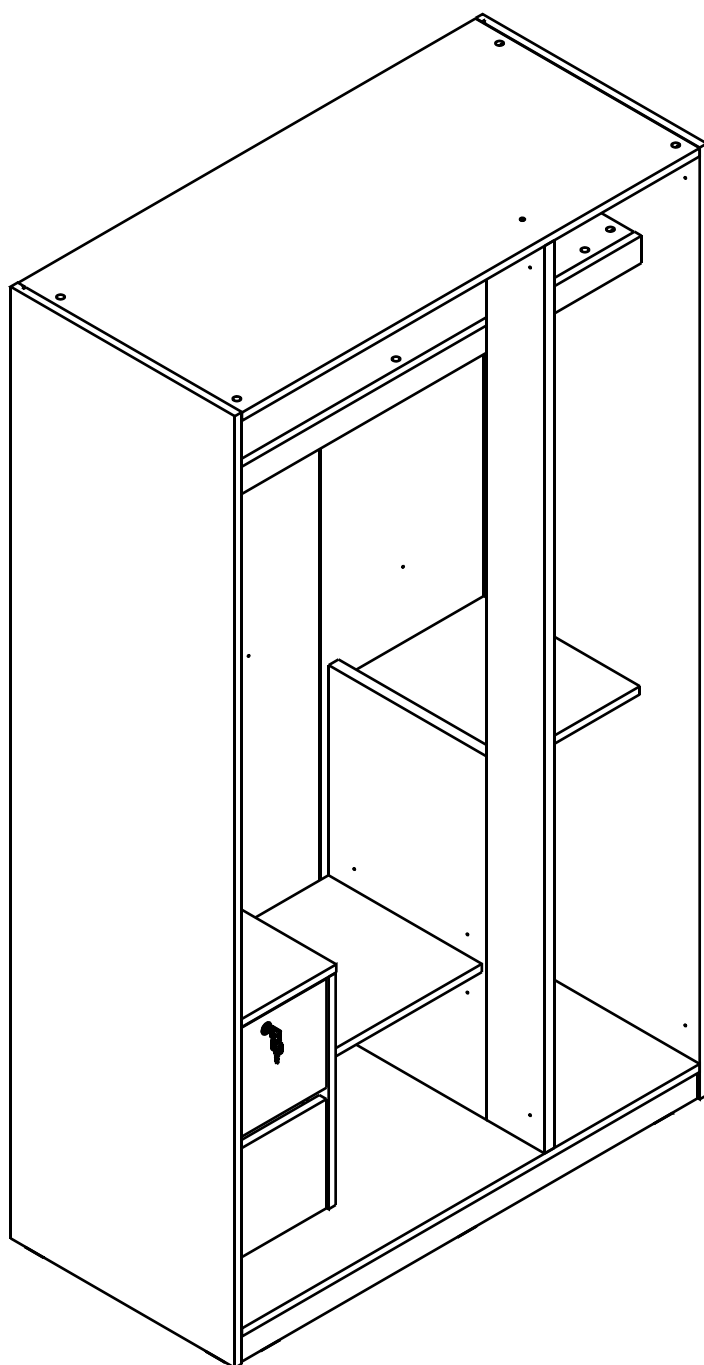
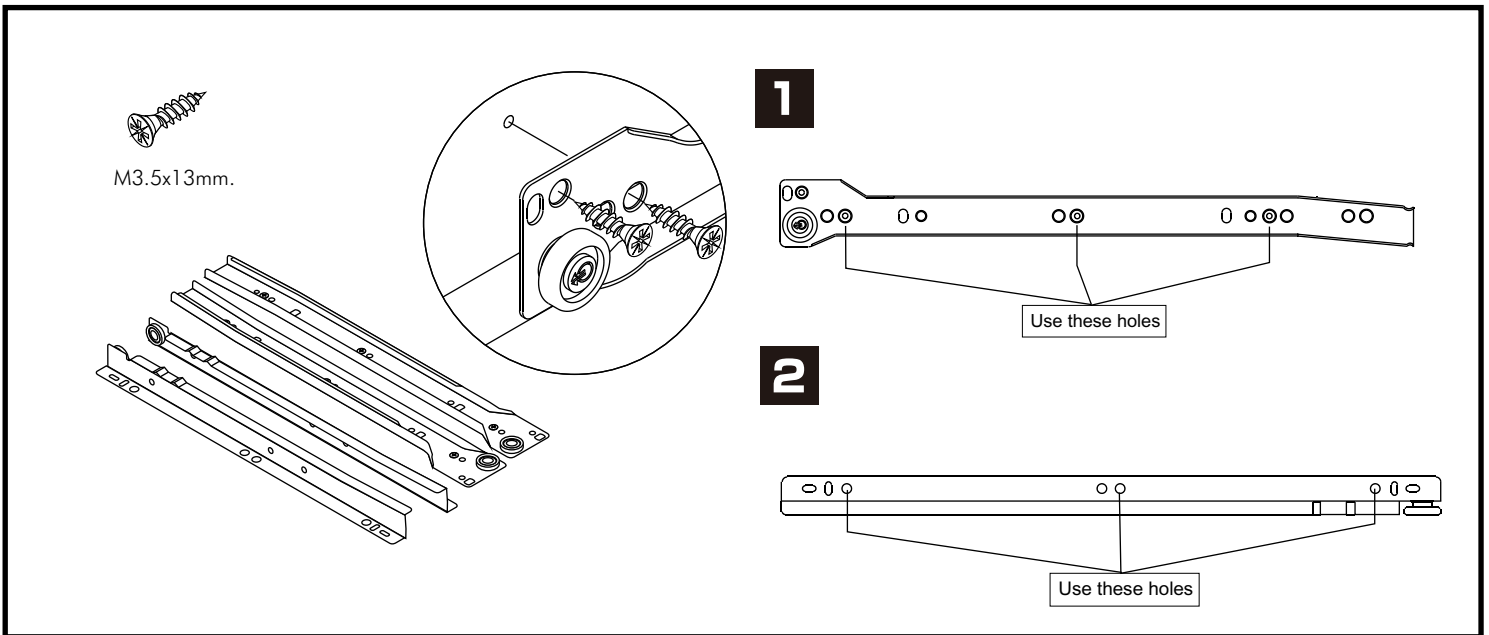
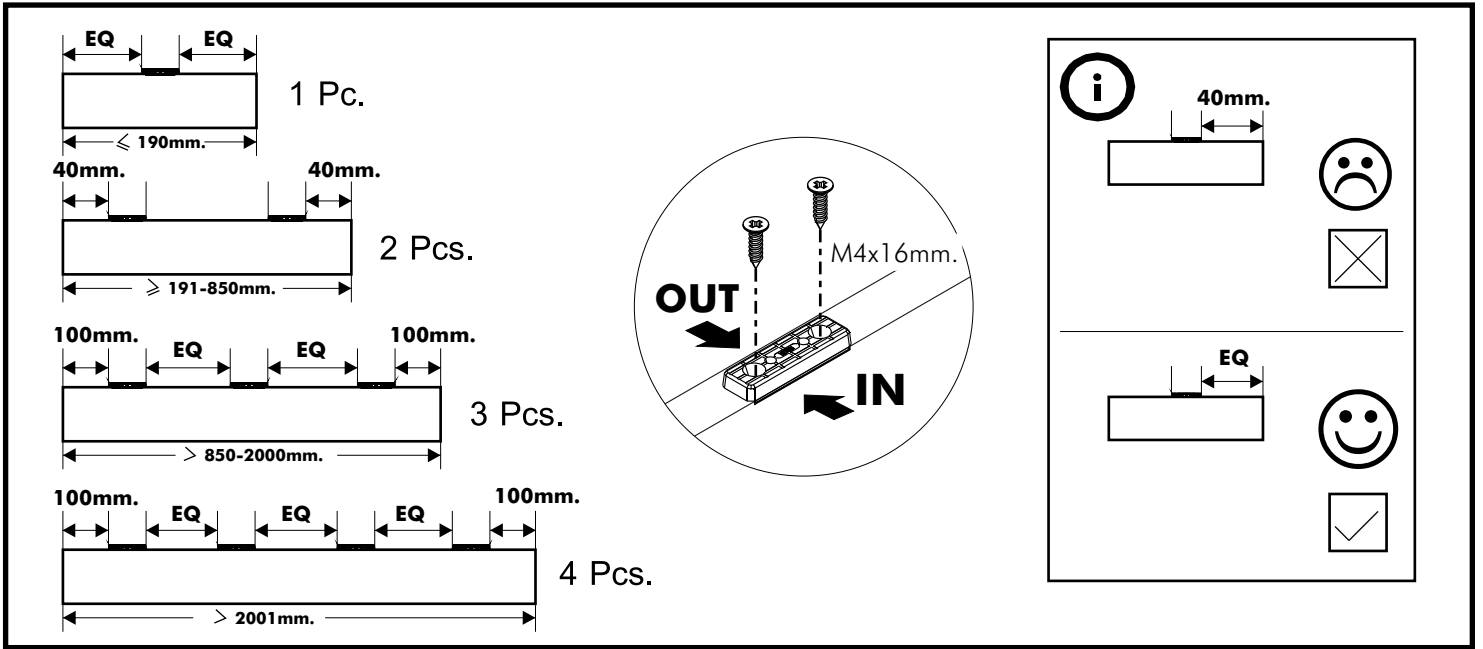
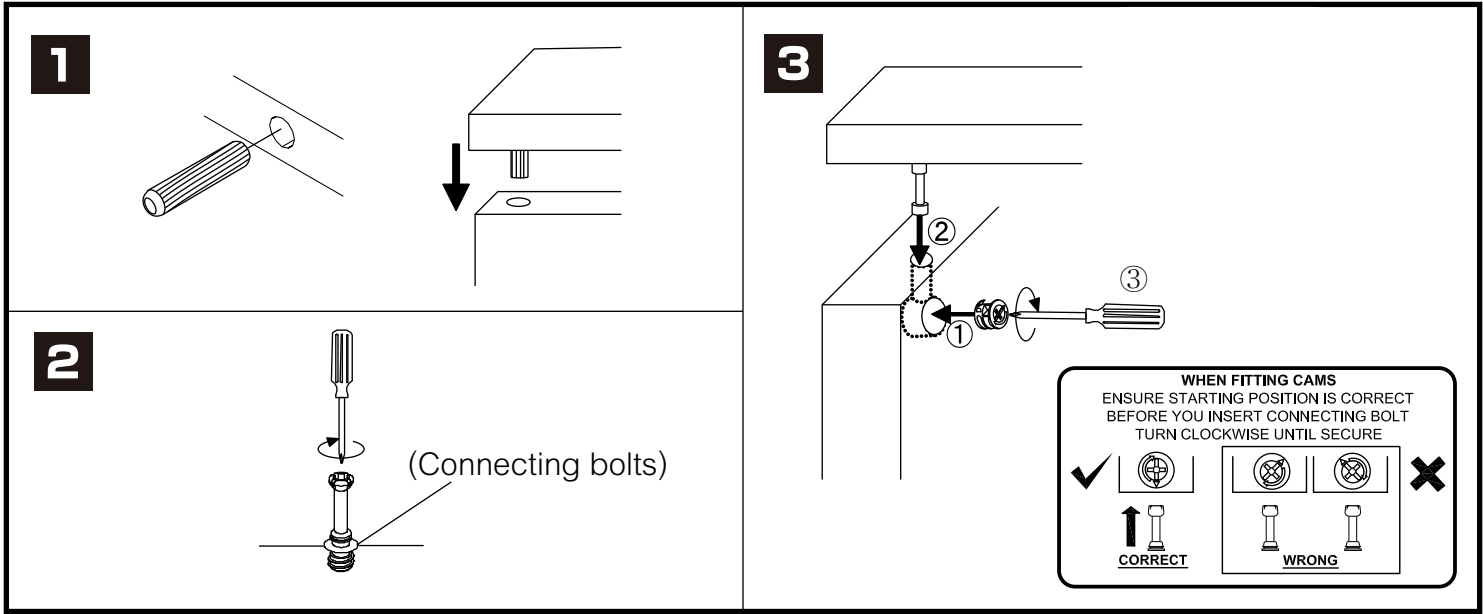


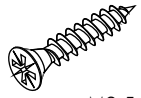
EXTREME

Wardrobe frame 3 doors.

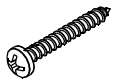
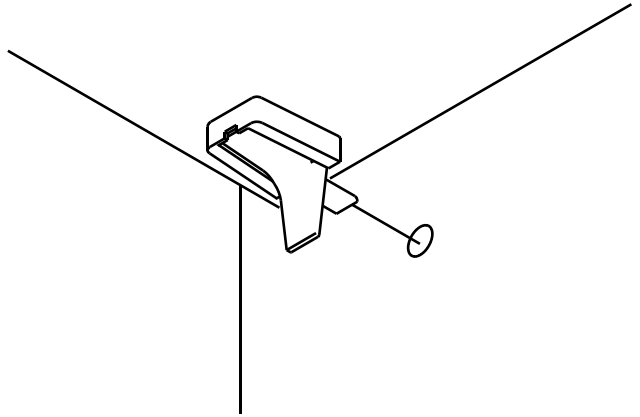
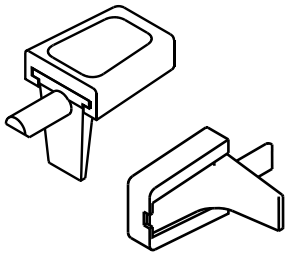
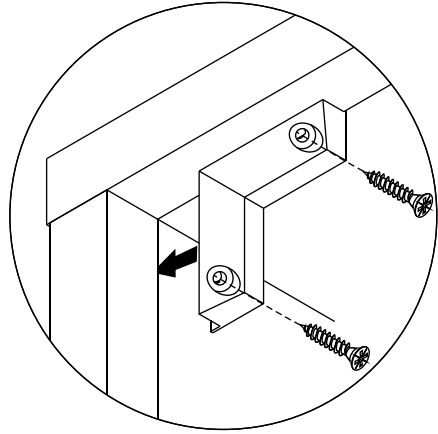
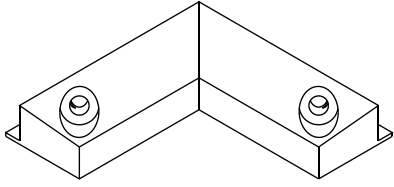


CONNECT SYSTEM

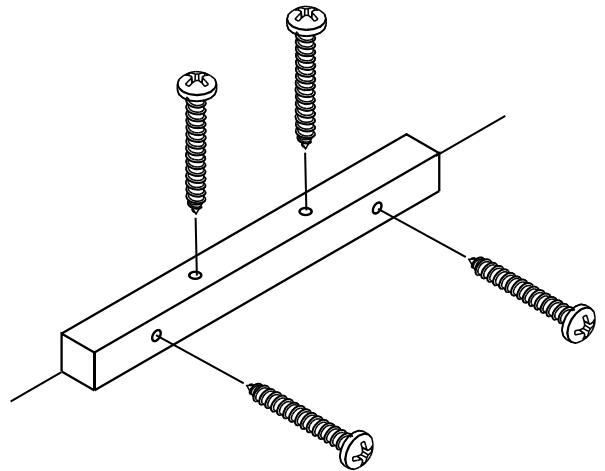
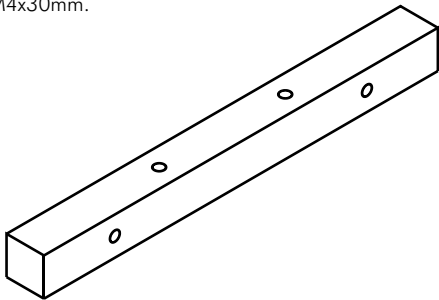




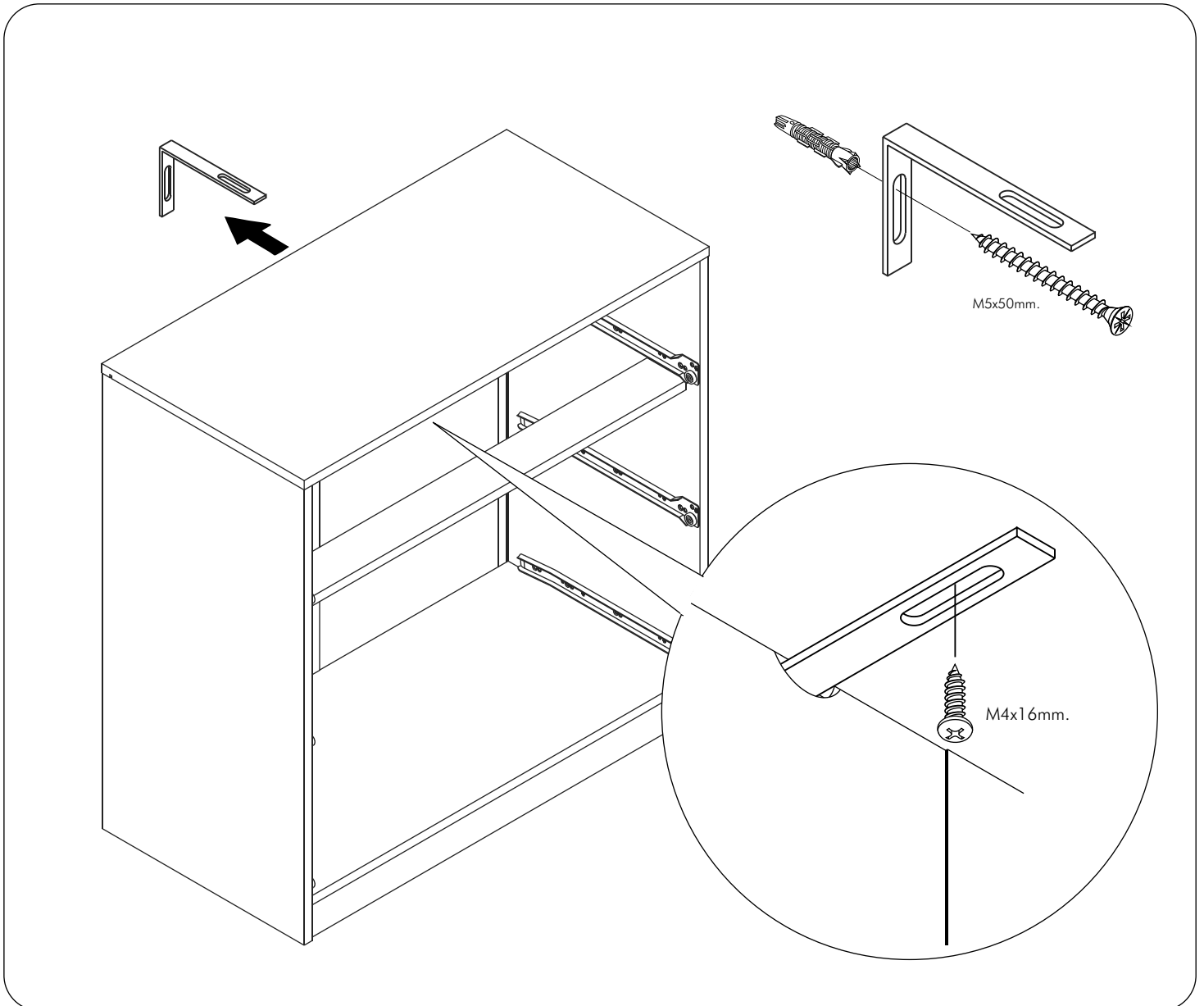
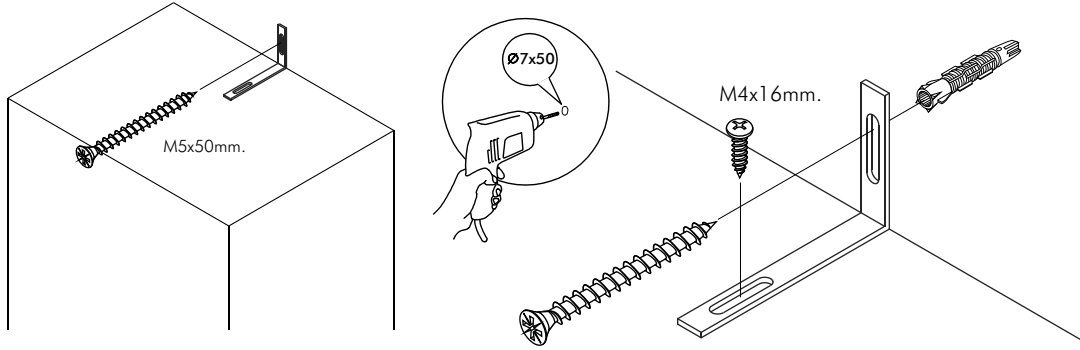
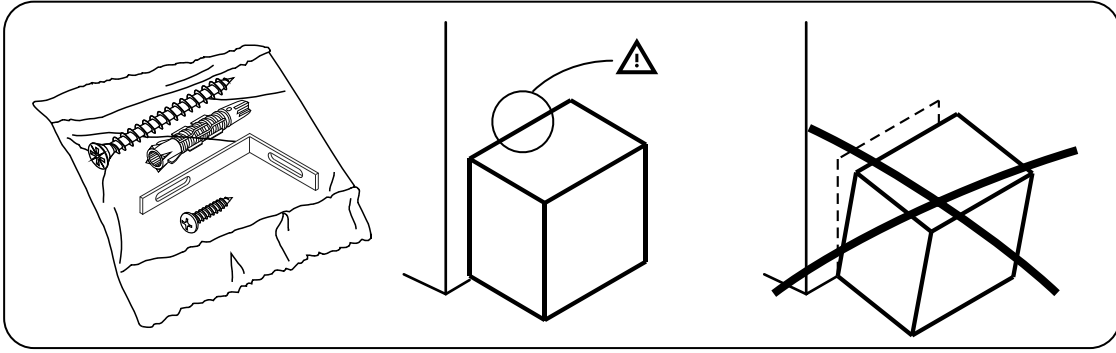
M3.5x20mm.



M4x30mm.

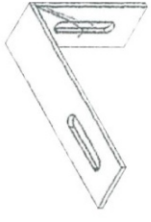


x2

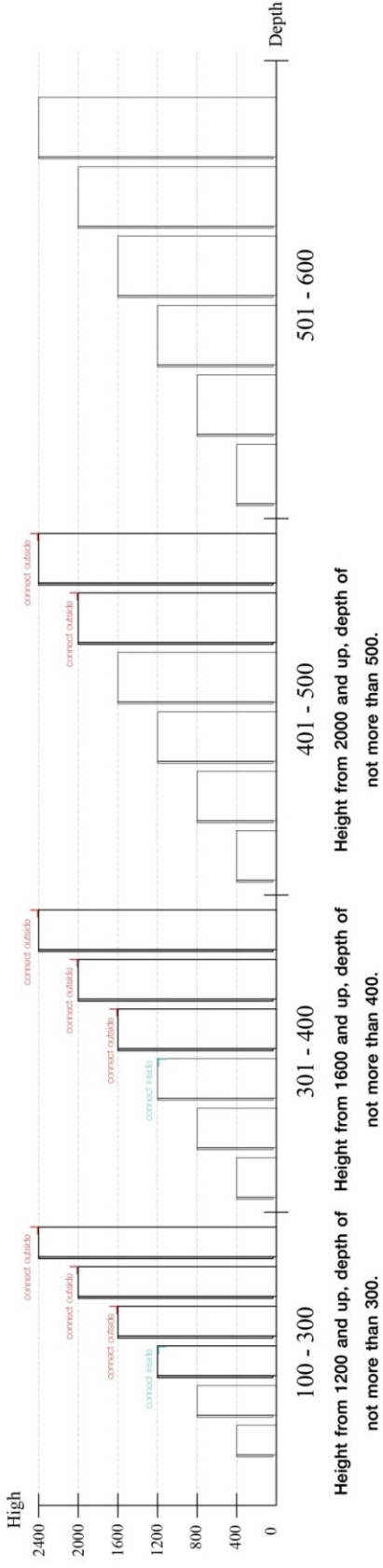


The Standard for identifying which mounted safety fall protection fitting to use **Note : That children's products must be installed with all anti-falling fittings.**

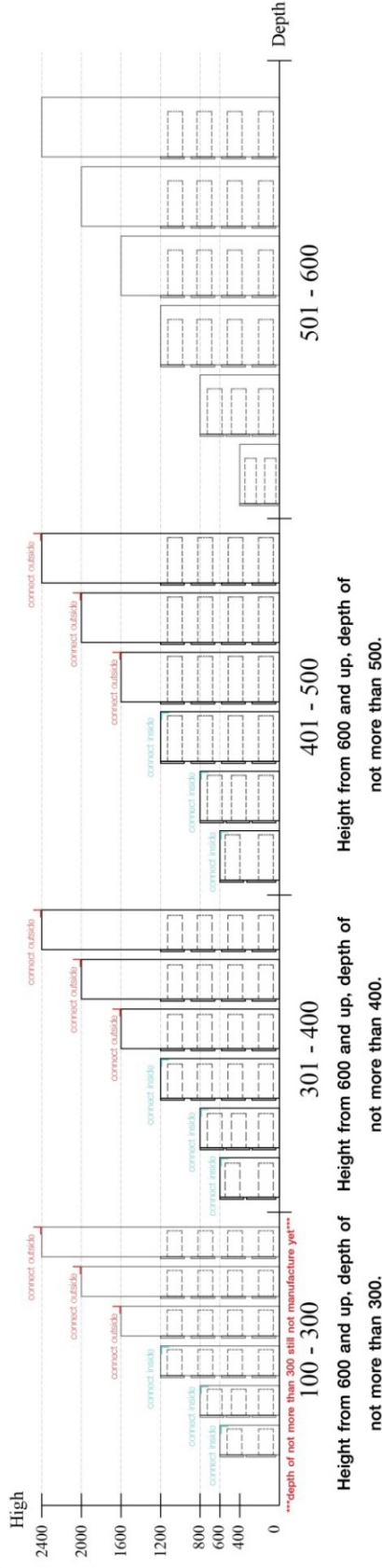
■ Mounted fall protection fittings



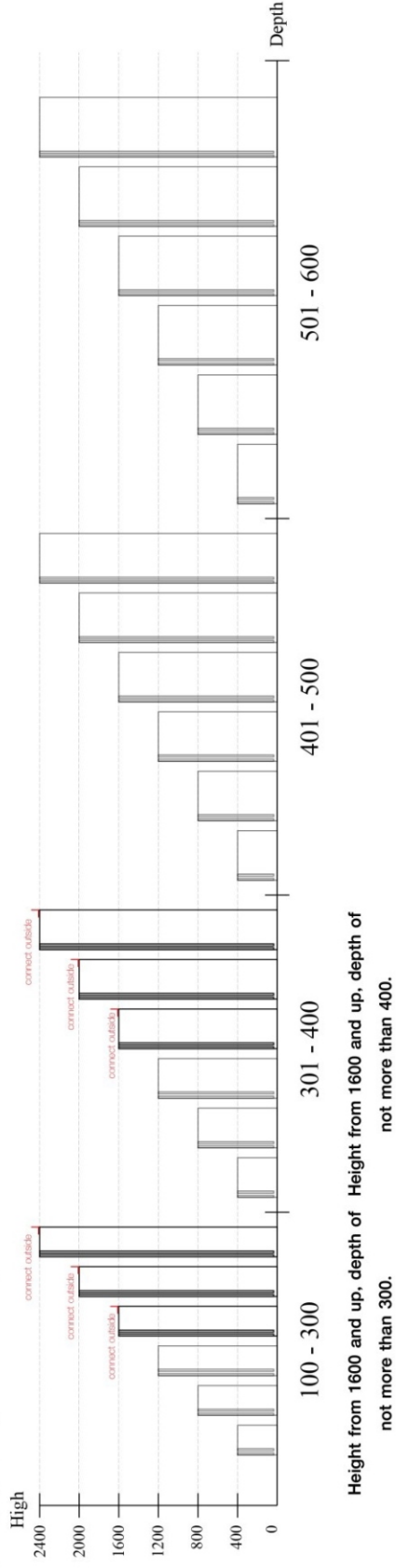
■ Category : Cabinet with open doors



■ Category : Chest of drawers

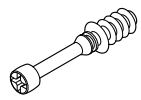


■ Category : Sliding door cabinet / Open cabinet



HARDWARE

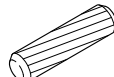
-BODY SET



x 21

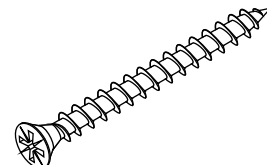


x 21



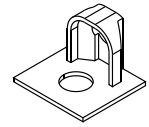
8x35mm.

x 36

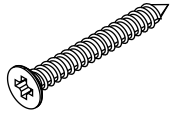


M4x50mm.

x 5



x 4



M4x40mm.

x 6



x 2



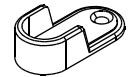
M4x25mm.

x 6



M4x16mm.

x 40



x 4



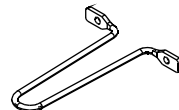
M3.5x13mm.

x 8



M4x16mm.

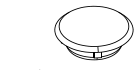
x 33



x 1

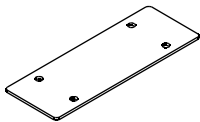


x 4

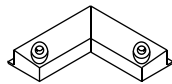


Ø 5x18 mm.

x 2



x 2

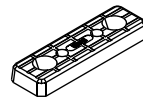


x 2

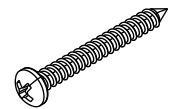


M3.5x20mm.

x 4

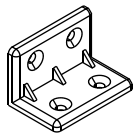


x 10



M4x30mm.

x 44

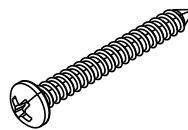


x 4



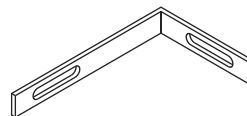
Ø11mm.

x 2

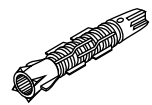


M4x45mm.

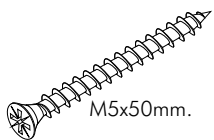
x 2



x 2



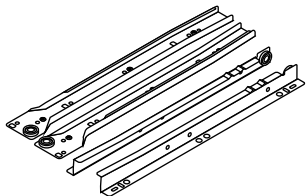
x 2



M5x50mm.

x 2

-DRAWER SET

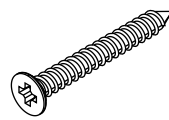


x 2



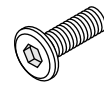
M3.5x13mm.

x 28



M4x40mm.

x 16



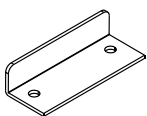
TFL4 M6x23

x 4

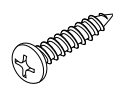


#M4

x 1

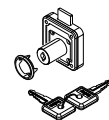


x 1



M4x1/2"

x 2



x 1



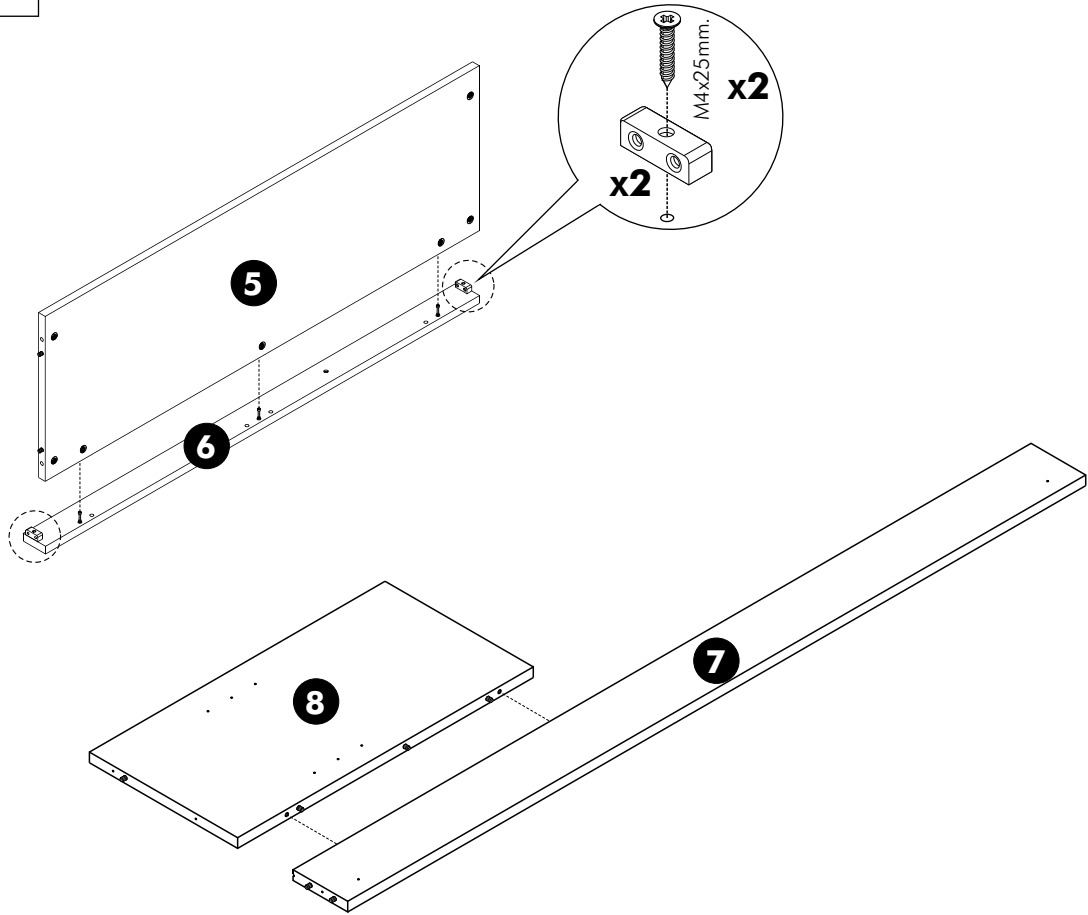
5x3/4"

x 4

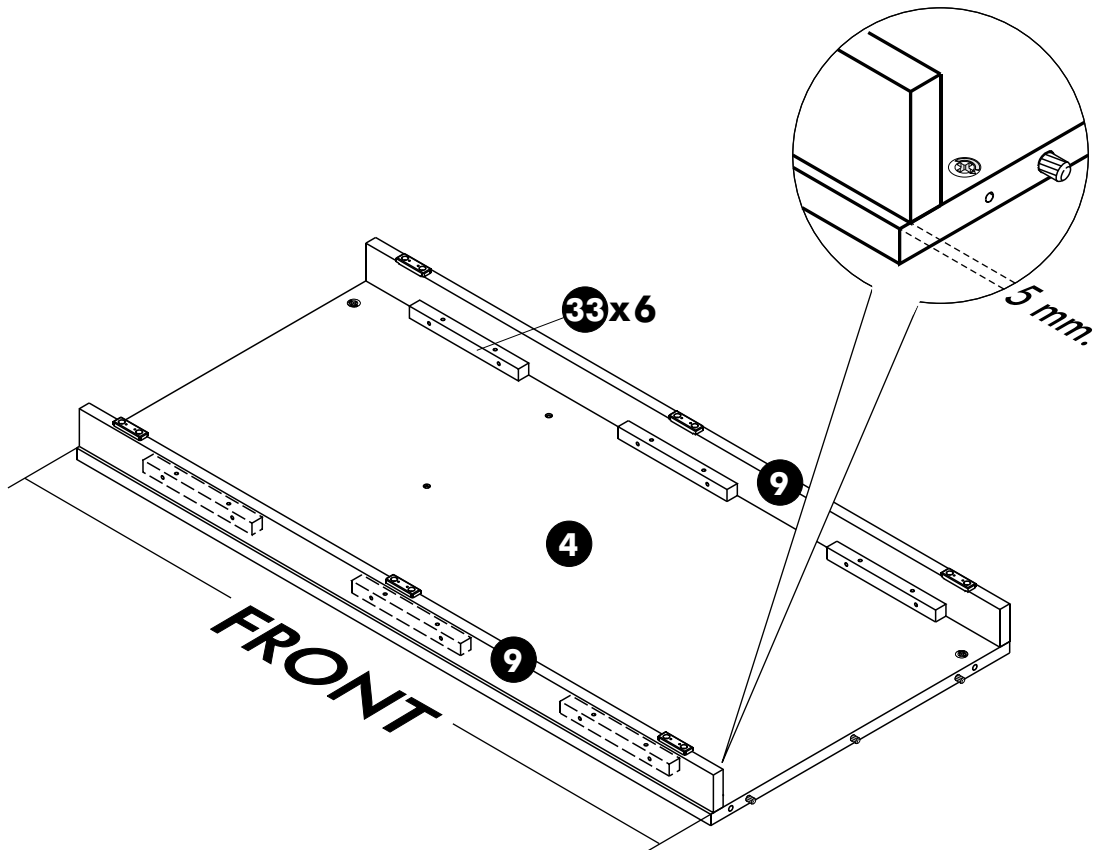
ASSEMBLY

-BODY SET

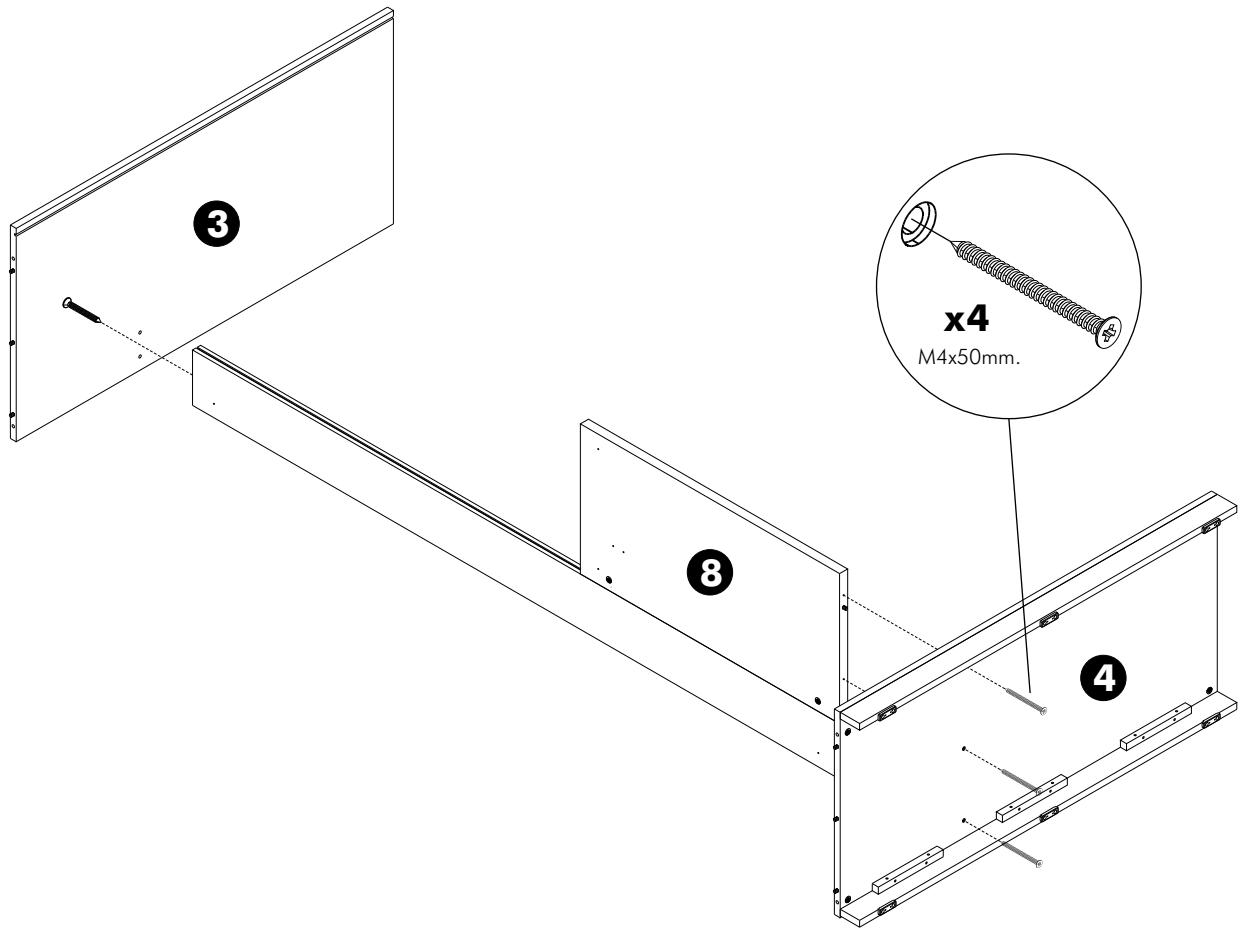
1.



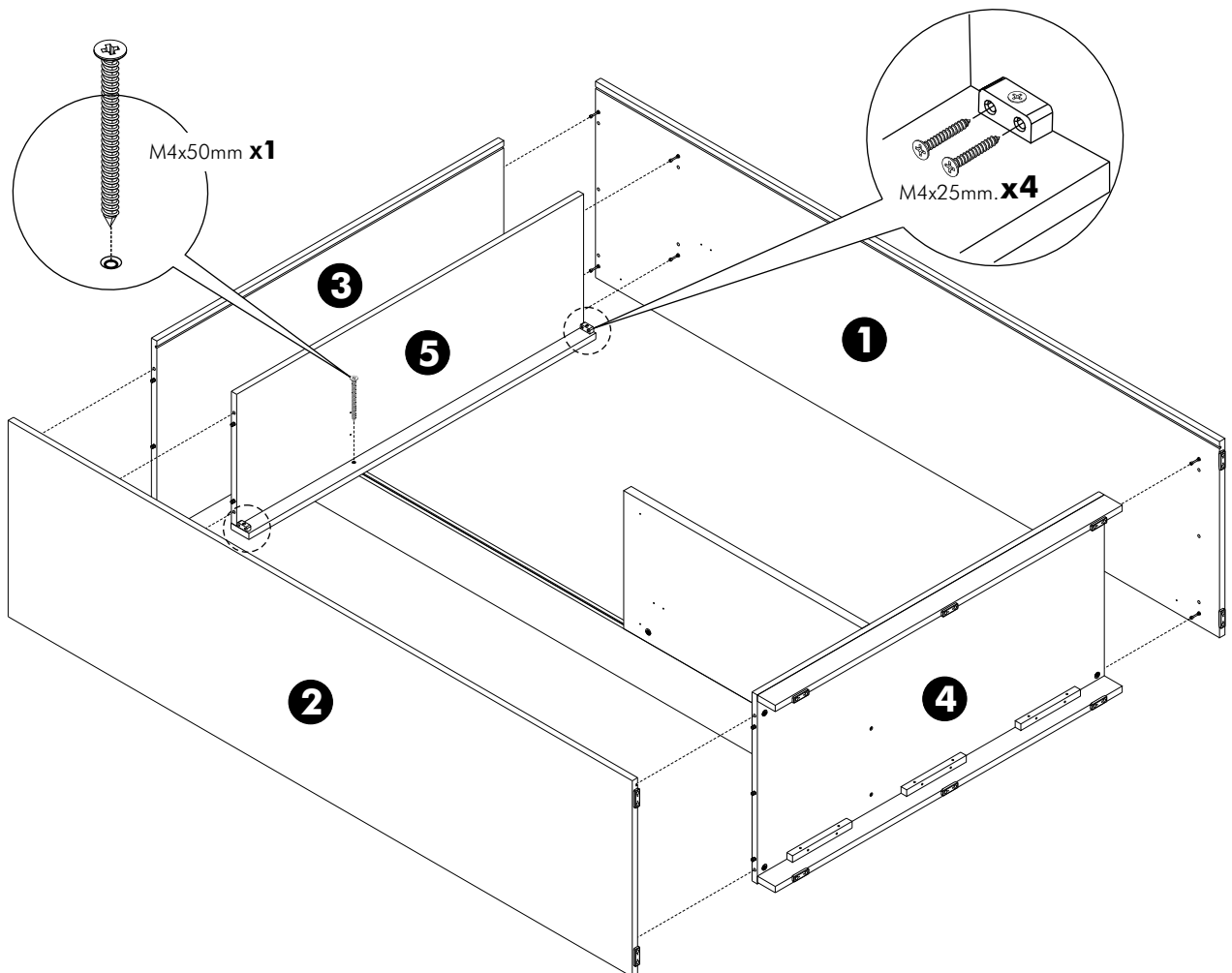
2.



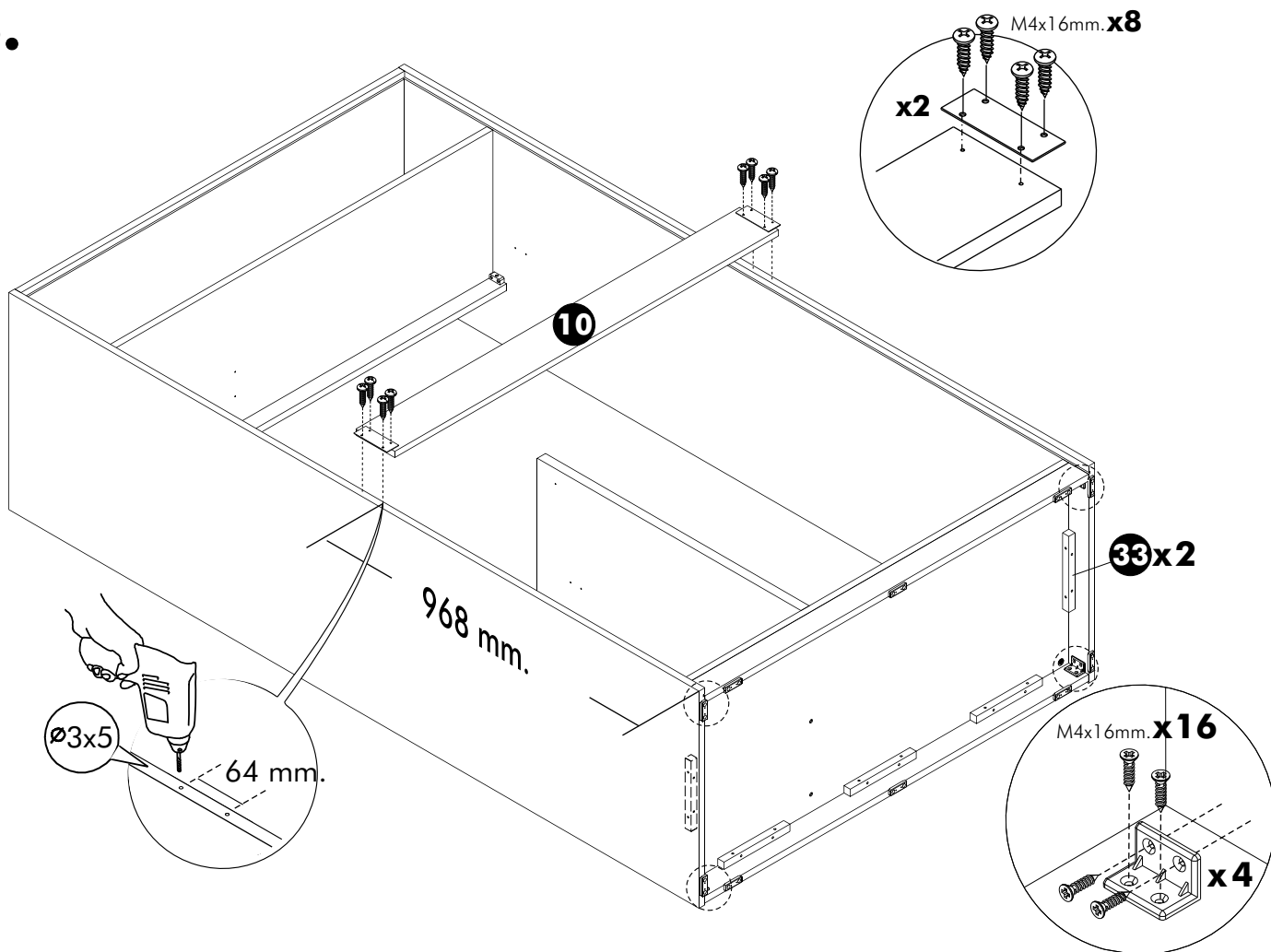
3.



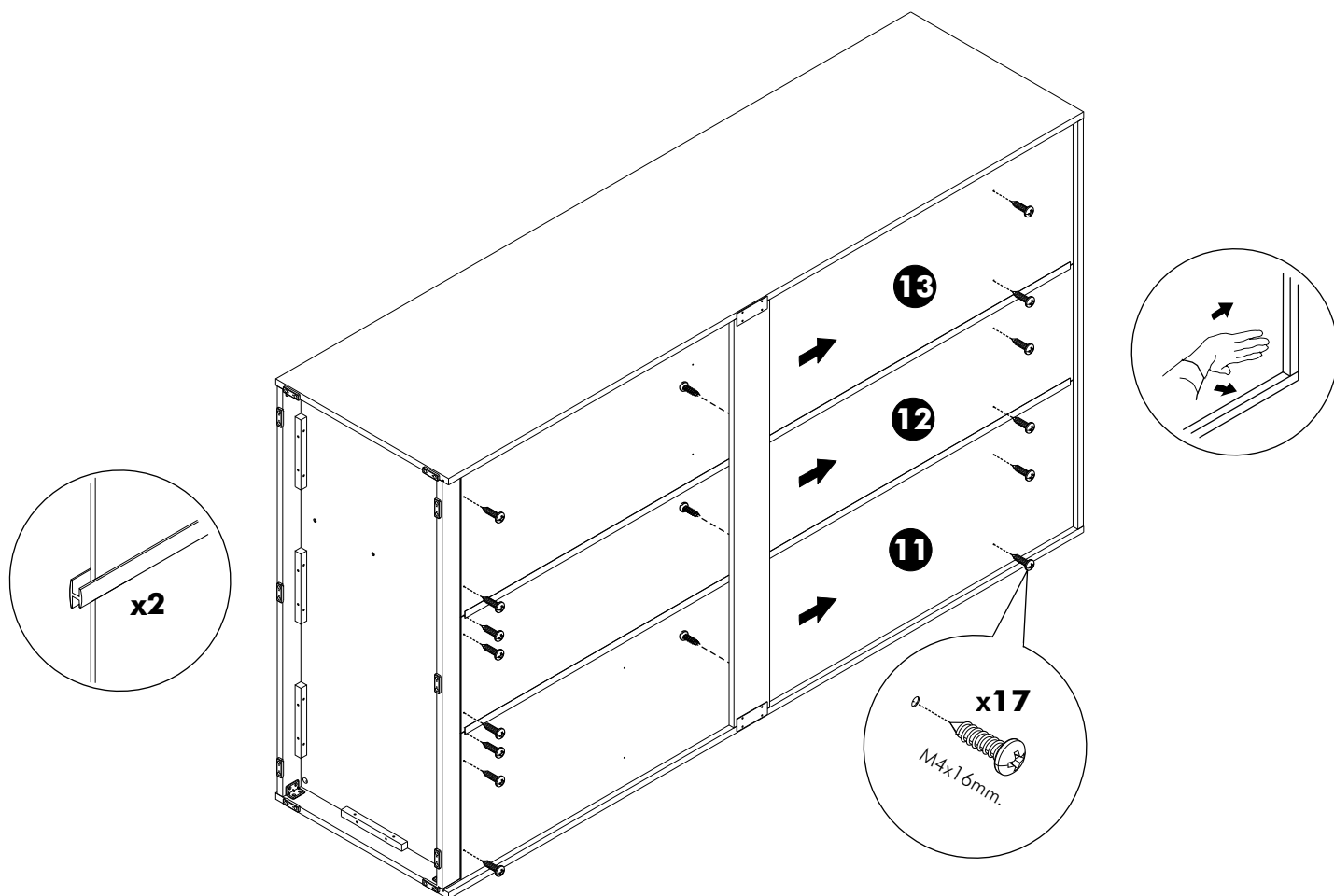
4.



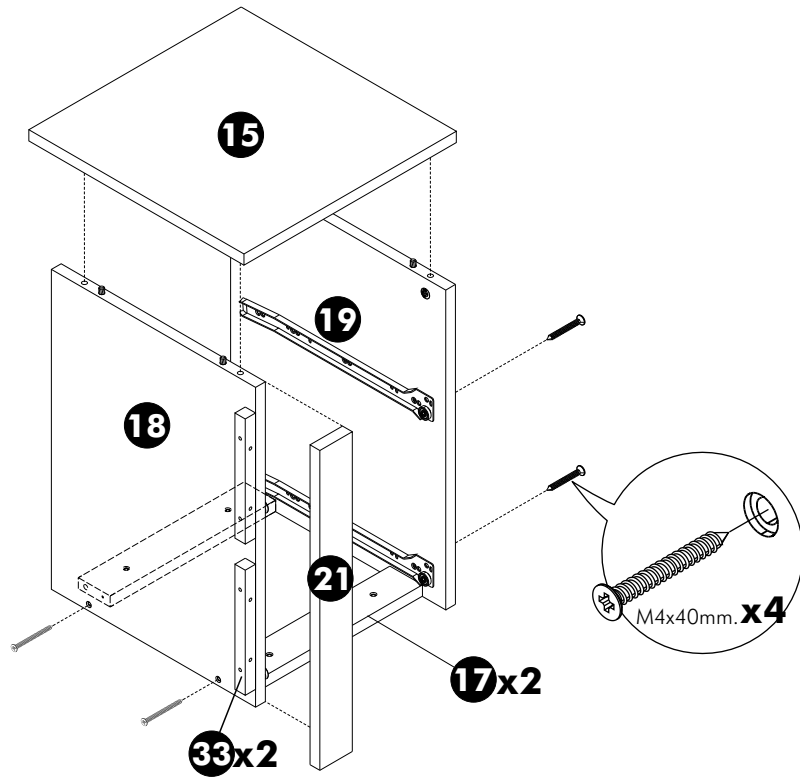
5.



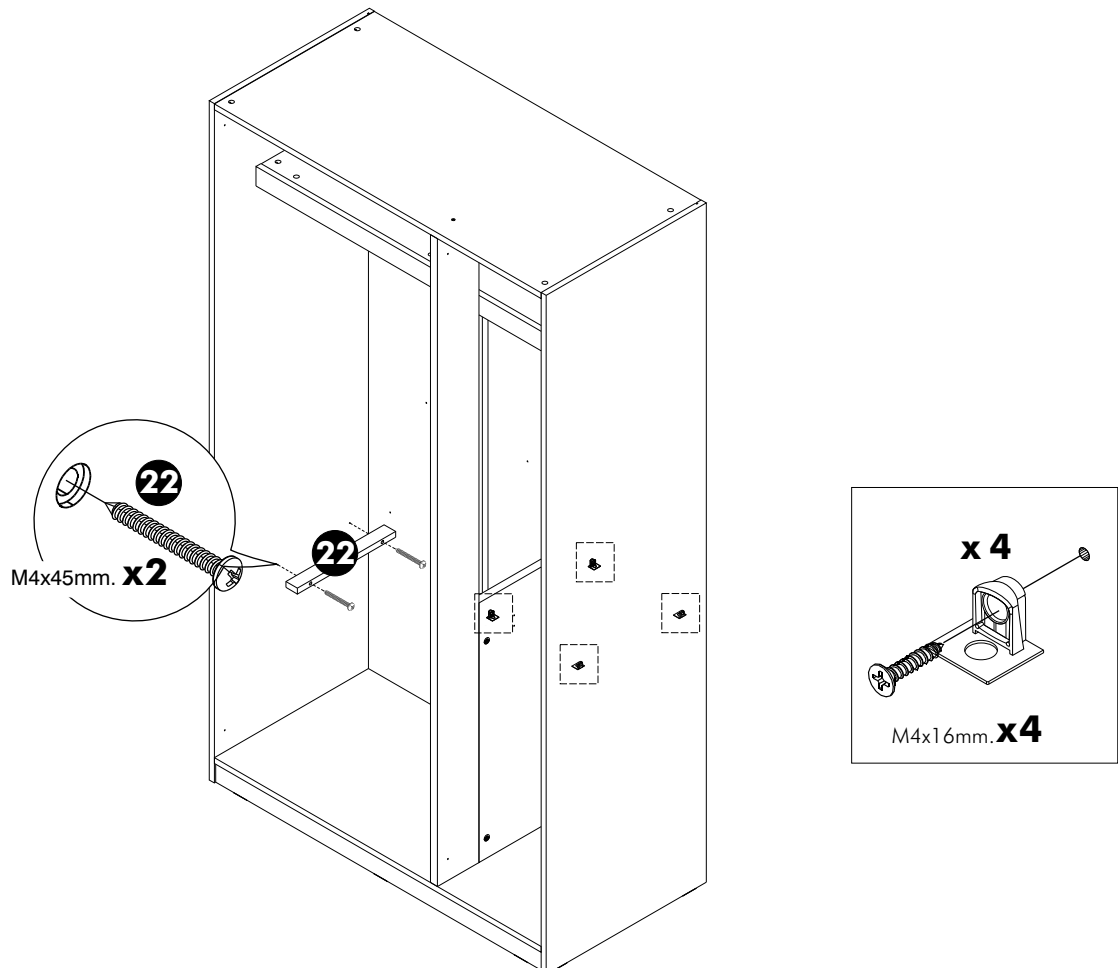
6.



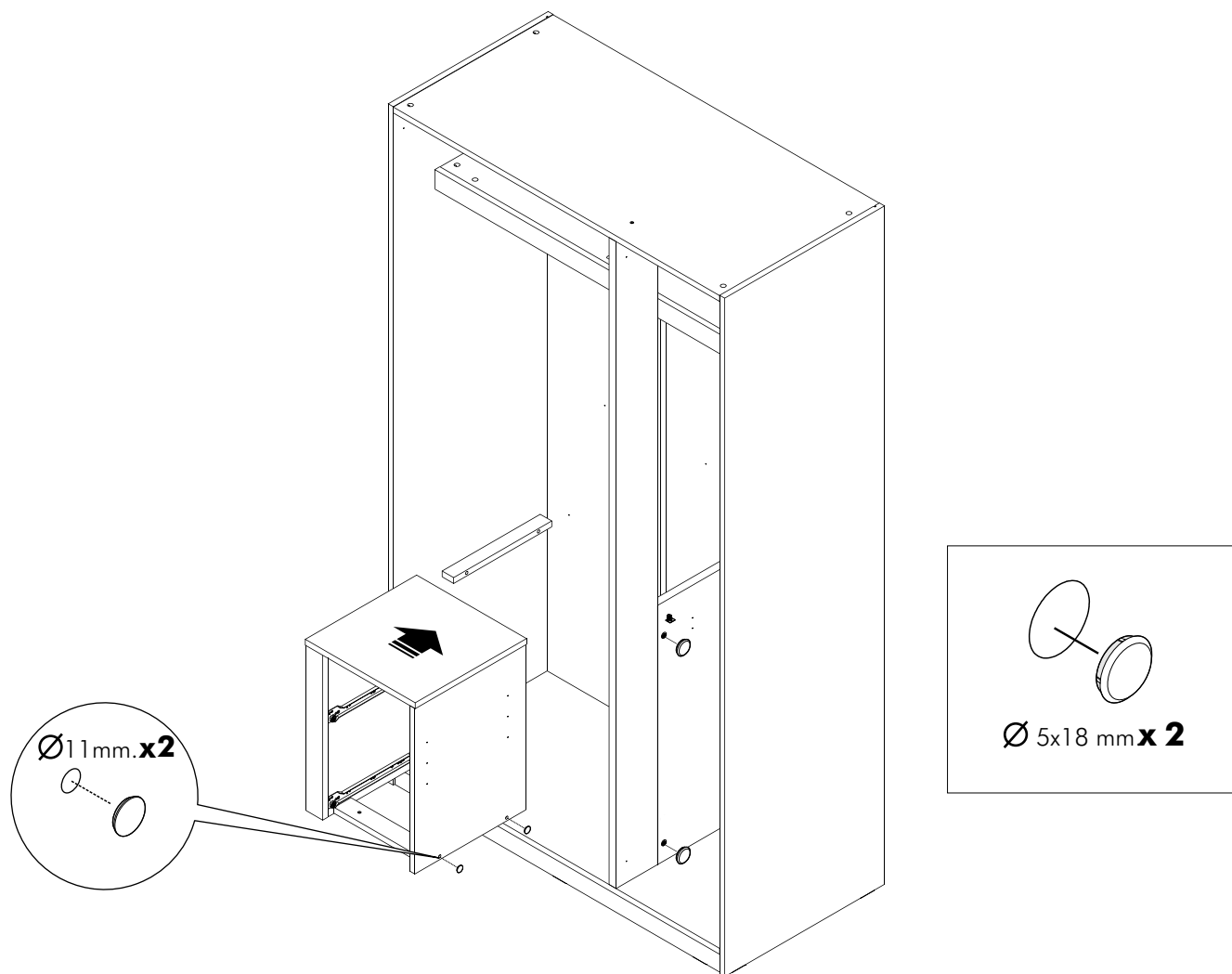
7.



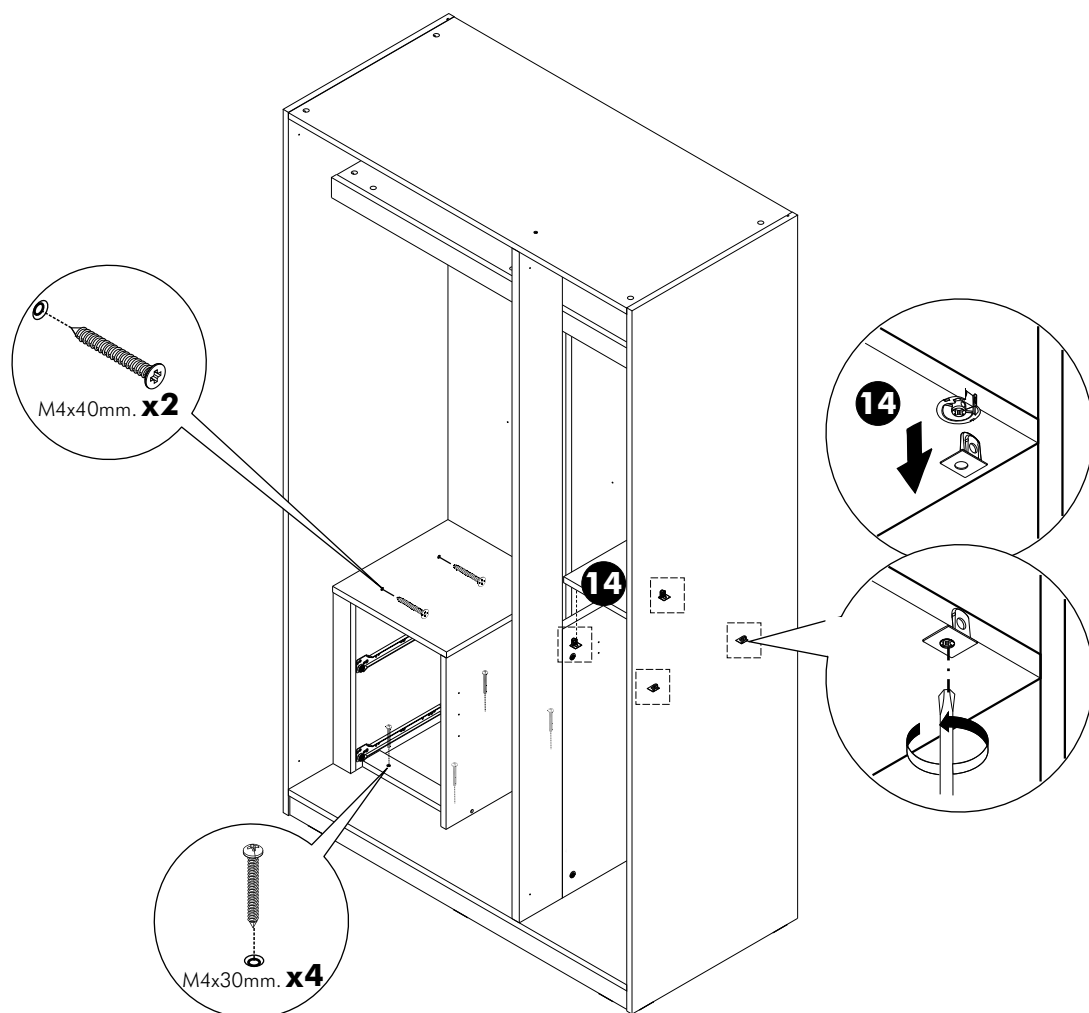
8.



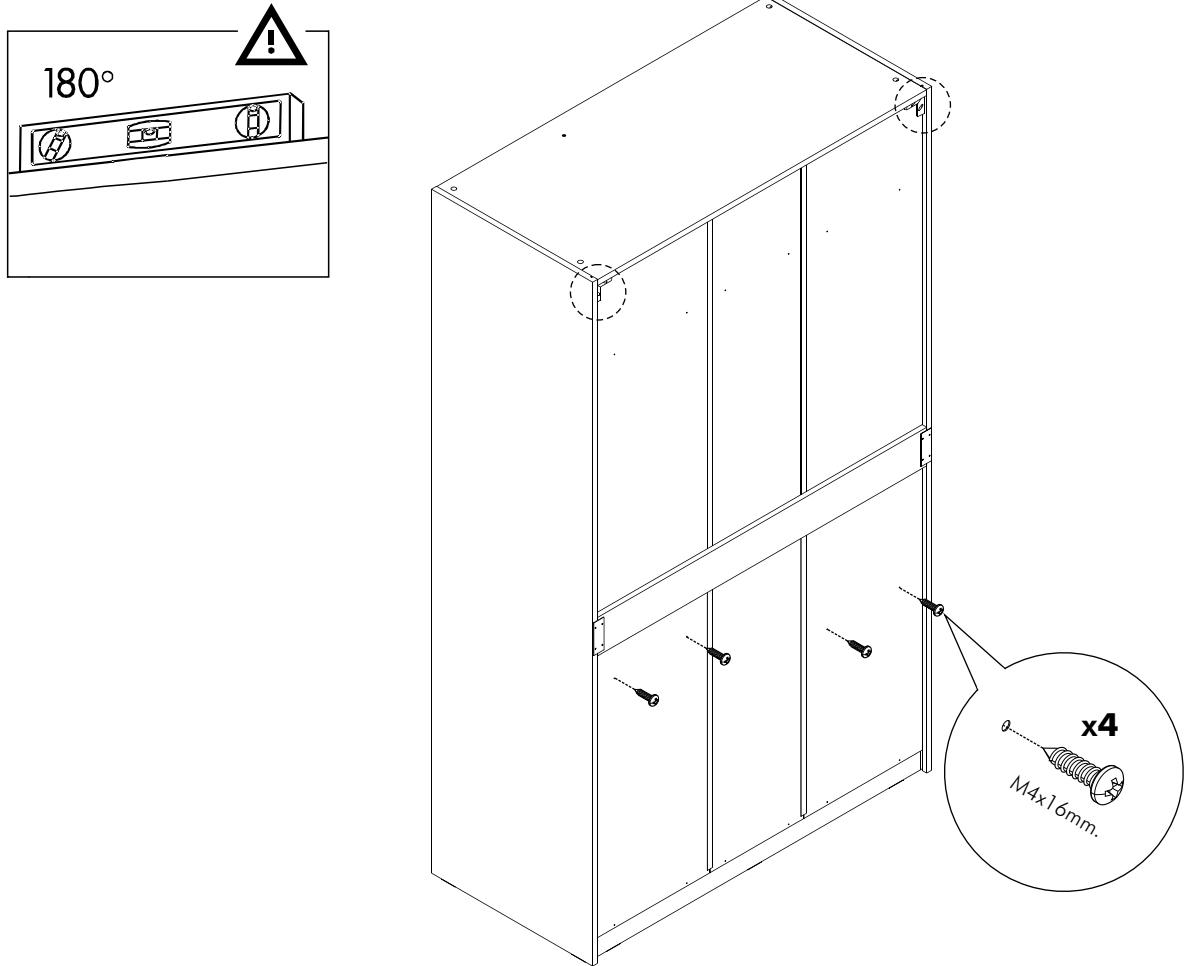
9.



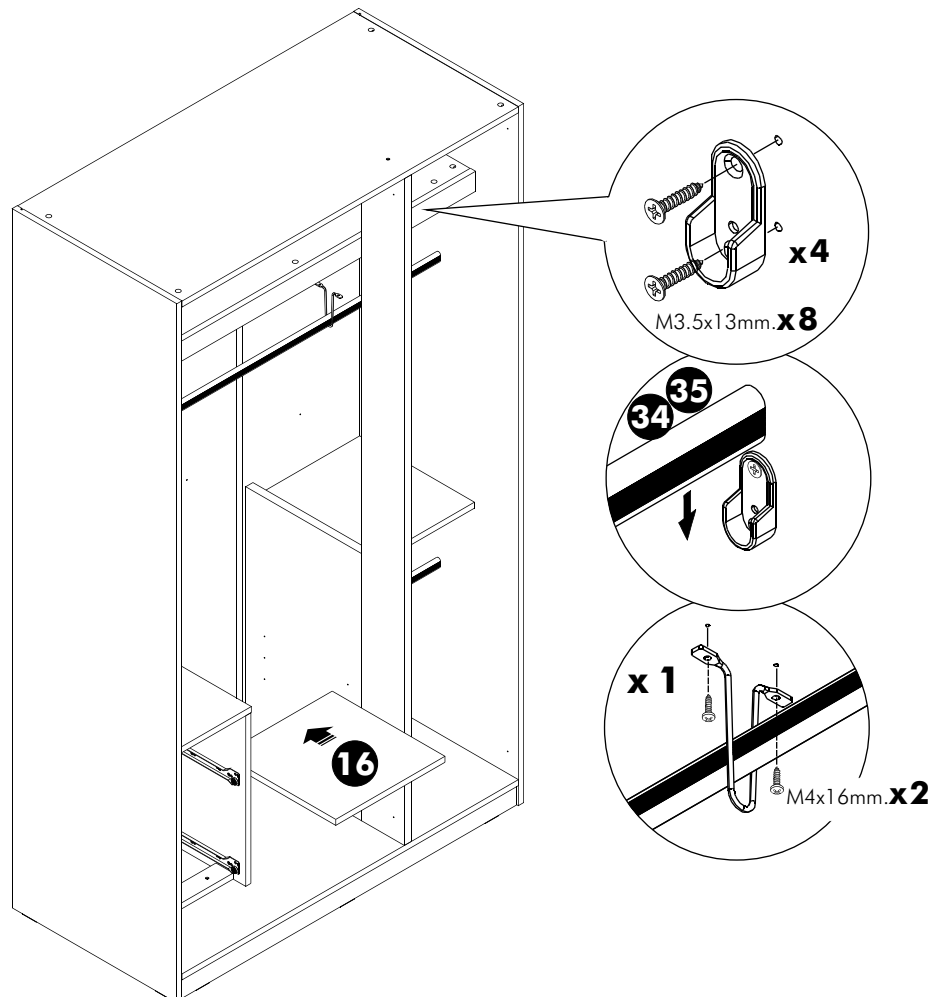
10.



11.



12.



ASSEMBLY

-DRAWER SET

