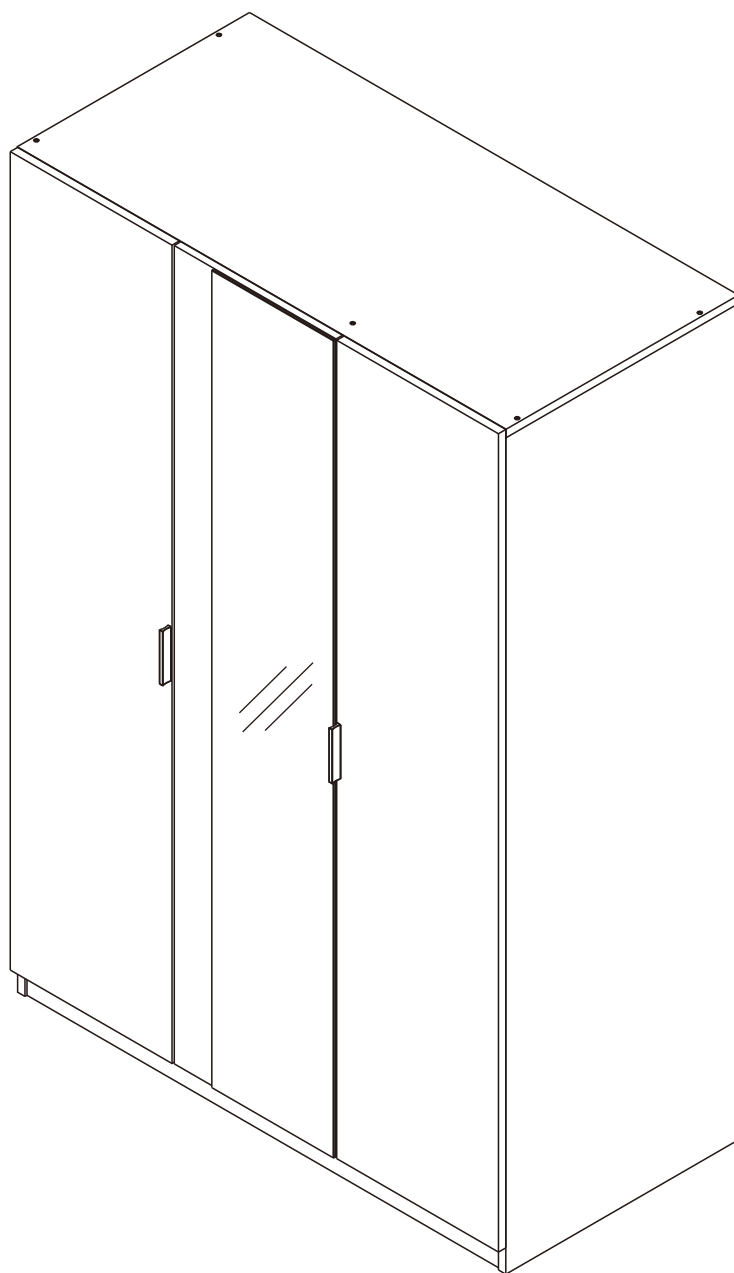


# VIVID

## Wardrobe 3 door



# CONNECT SYSTEM

**1**

**2**

**3**

**WHEN FITTING CAMS**  
ENSURE STARTING POSITION IS CORRECT  
BEFORE YOU INSERT CONNECTING BOLT  
TURN CLOCKWISE UNTIL SECURE

✓

↑

**CORRECT**

✗

↑

**WRONG**

✗

**1 Pc.**

EQ EQ

≤ 190mm.

**2 Pcs.**

40mm. 40mm.

≥ 191-850mm.

**3 Pcs.**

100mm. EQ EQ 100mm.

> 850-2000mm.

**4 Pcs.**

100mm. EQ EQ EQ 100mm.

> 2001mm.

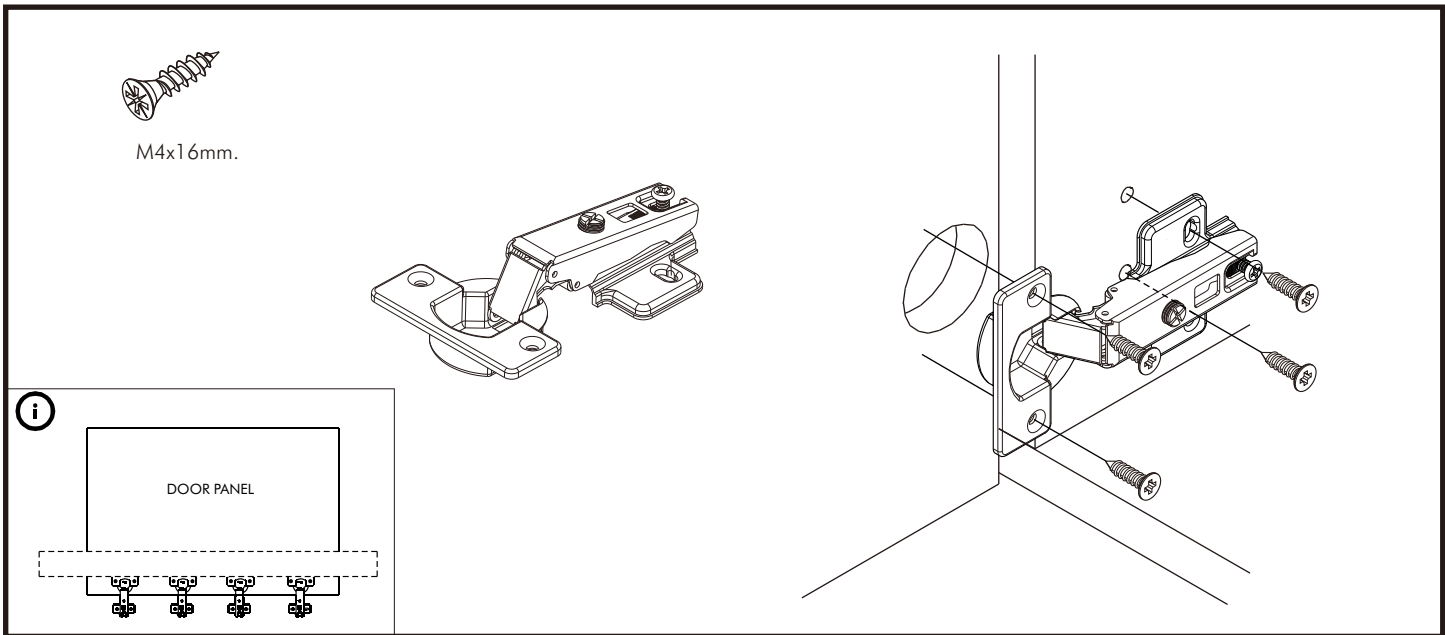
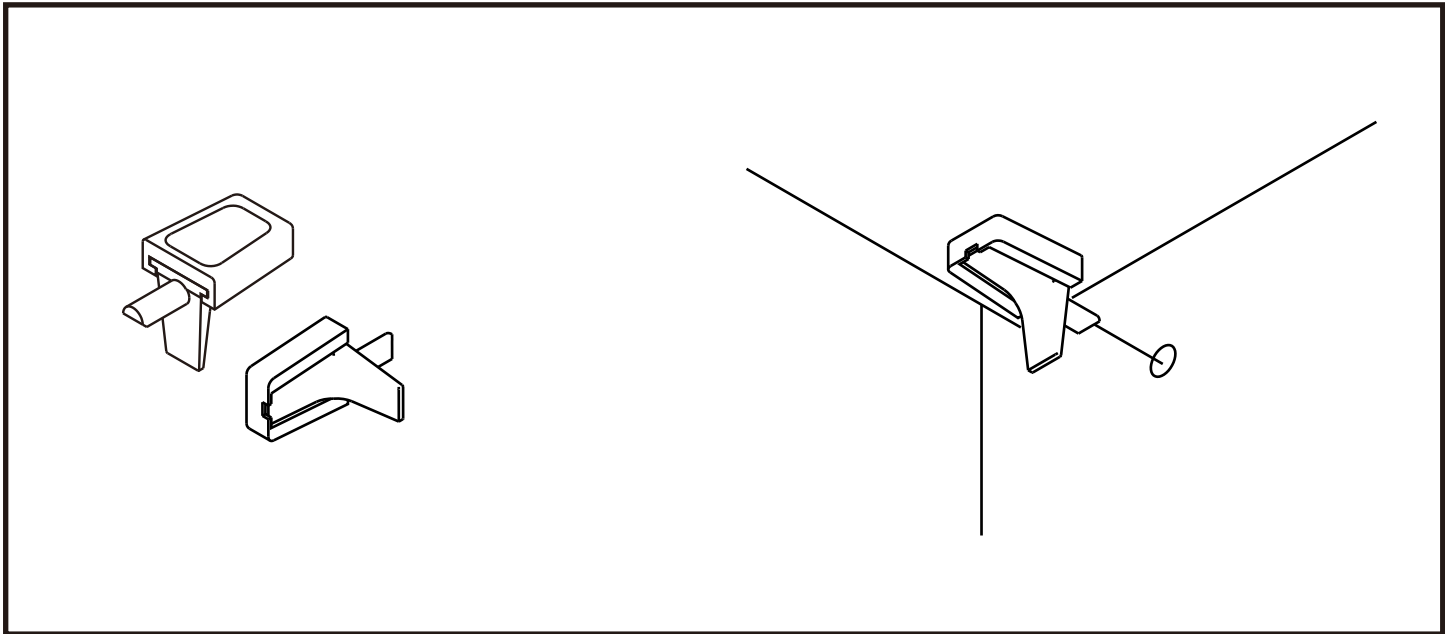
**i**

40mm.

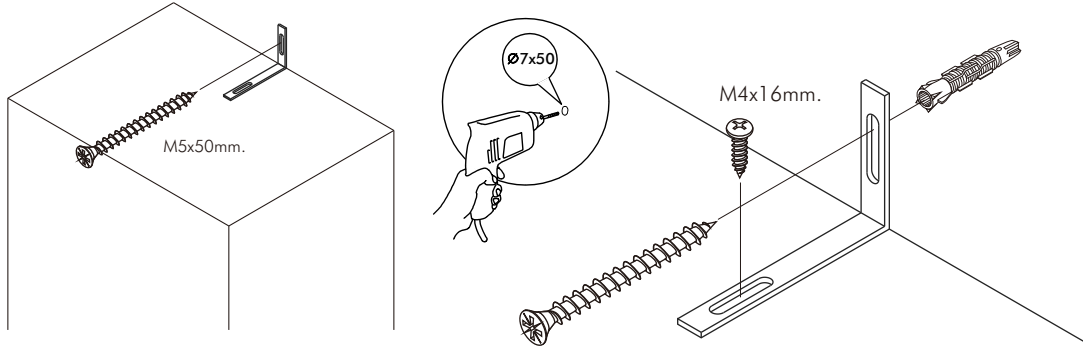
---

EQ

M3.5x20mm.



**x2**



**The Standard for identifying which mounted safety fall protection fitting to use** **Note : That children's products must be installed with all anti-falling fittings.**

■ Mounted fall protection fittings



■ Category : Cabinet with open doors



■ Category : Chest of drawers

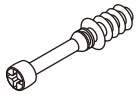


■ Category : Sliding door cabinet / Open cabinet



# HARDWARE

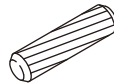
## -BODY SET



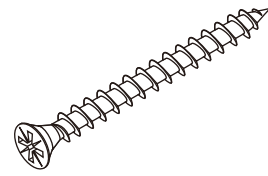
**x 11**



**x 11**



**x 24**



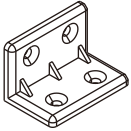
M4x50mm.

**x 8**



M4x16mm.

**x 11**



**x 14**



M4x16mm.

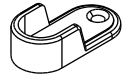
**x 84**



**x 4**



**x 7**



**x 4**



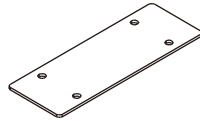
M3.5x13mm.

**x 8**

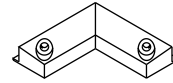


M4x13mm.

**x 11**



**x 2**

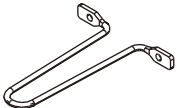


**x 2**

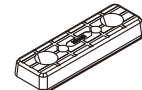


M3.5x20mm.

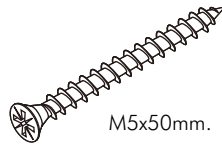
**x 4**



**x 1**



**x 14**



M5x50mm.

**x 2**

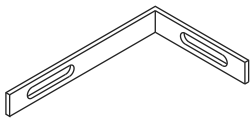


M4x16mm.

**x 2**

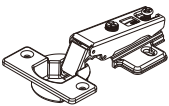


**x 2**



**x 2**

## -DOOR SET

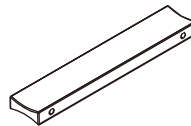


**x 12**

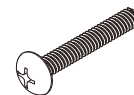


M4x16mm.

**x 48**



**x 2**



M4x22mm.

**x 4**

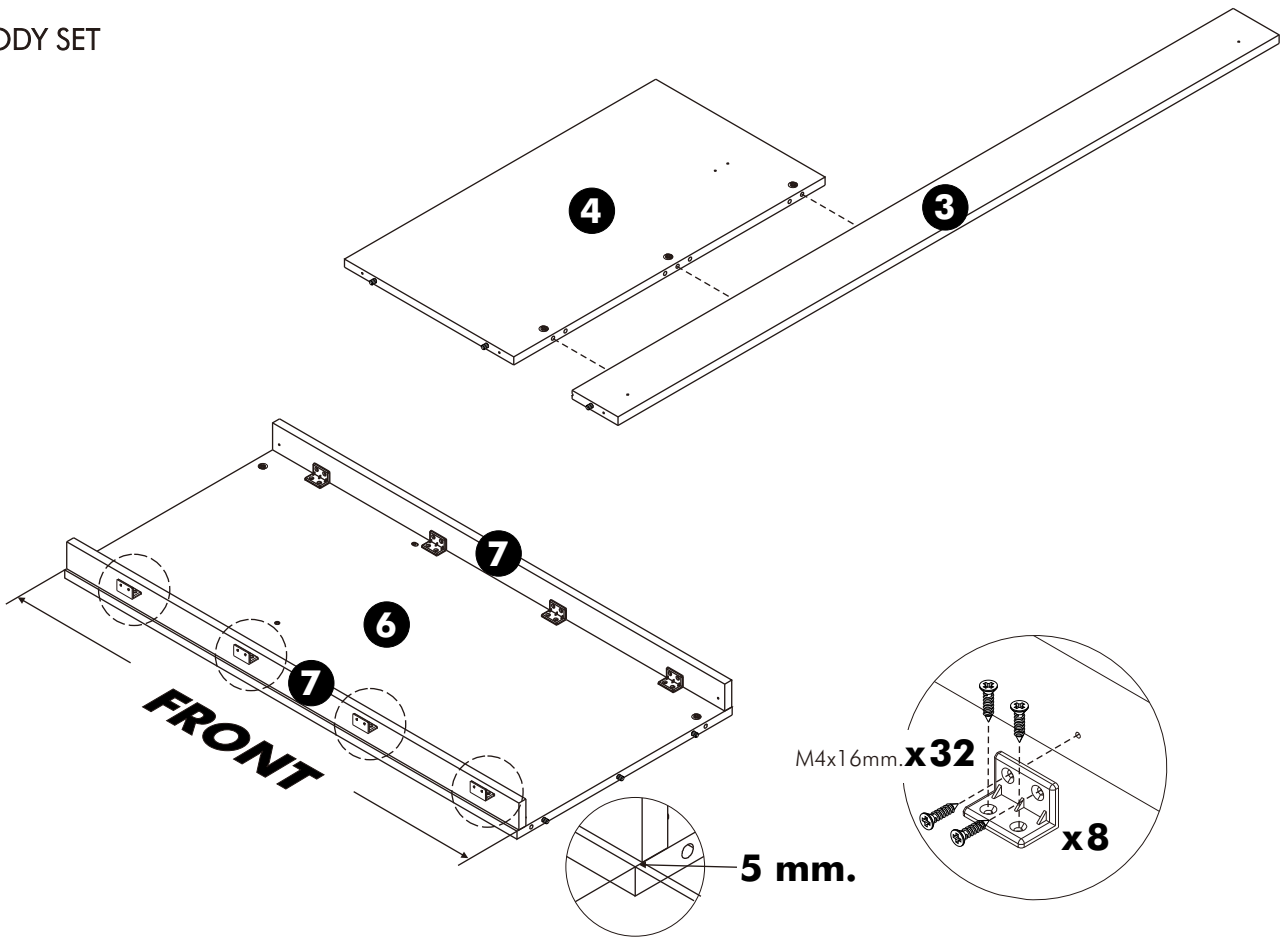


**x 6**

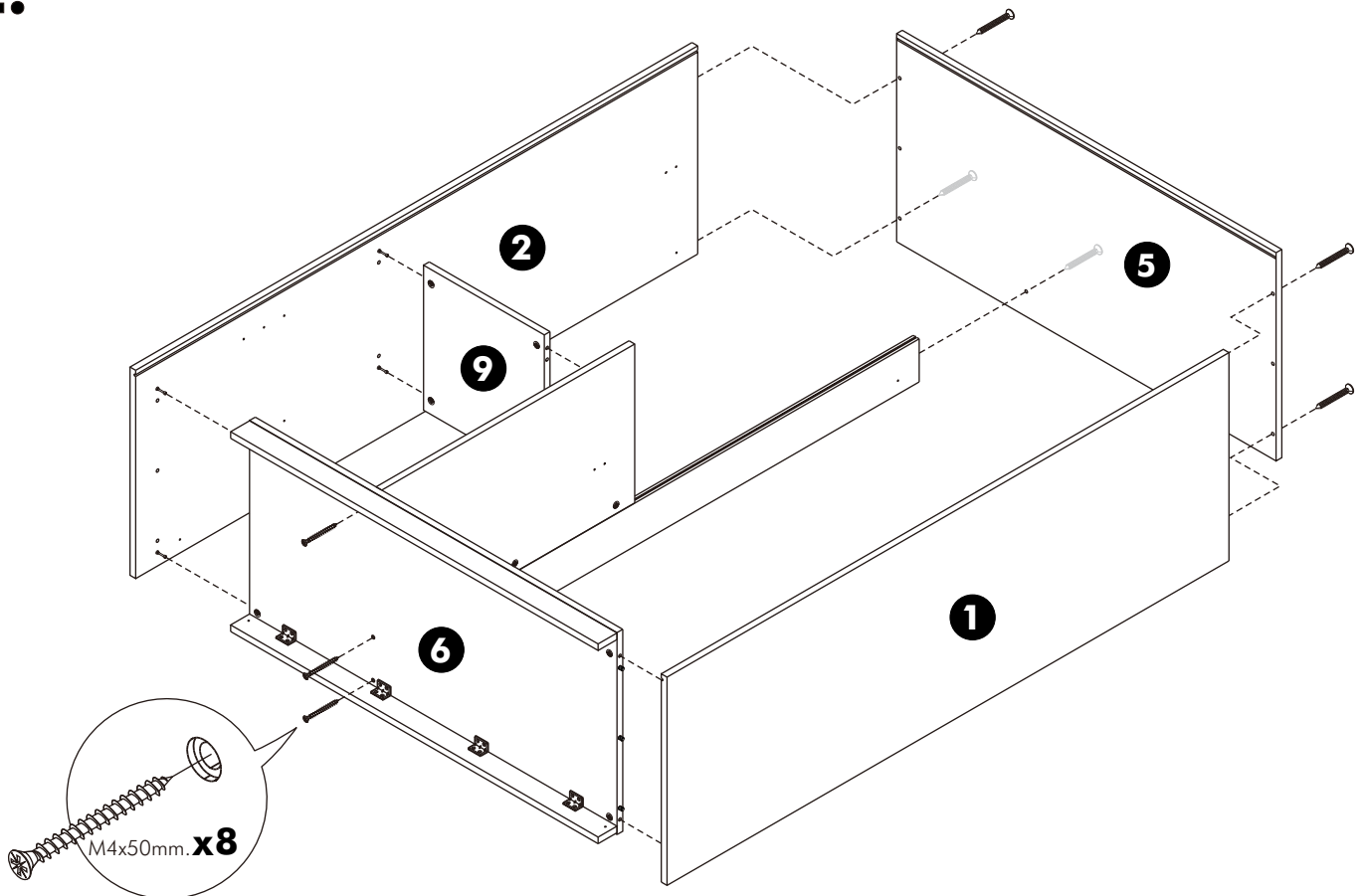
# ASSEMBLY

-BODY SET

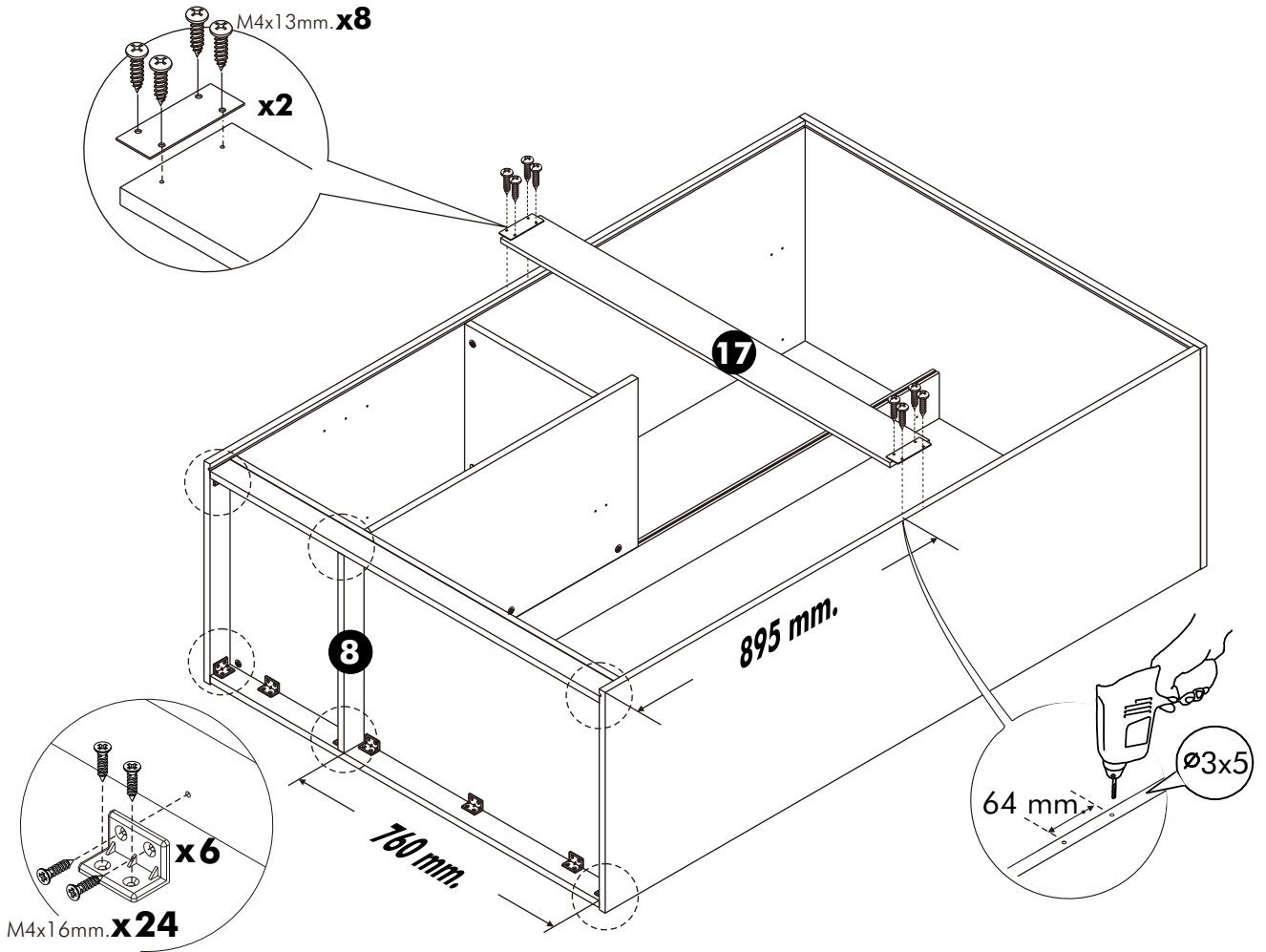
**1.**



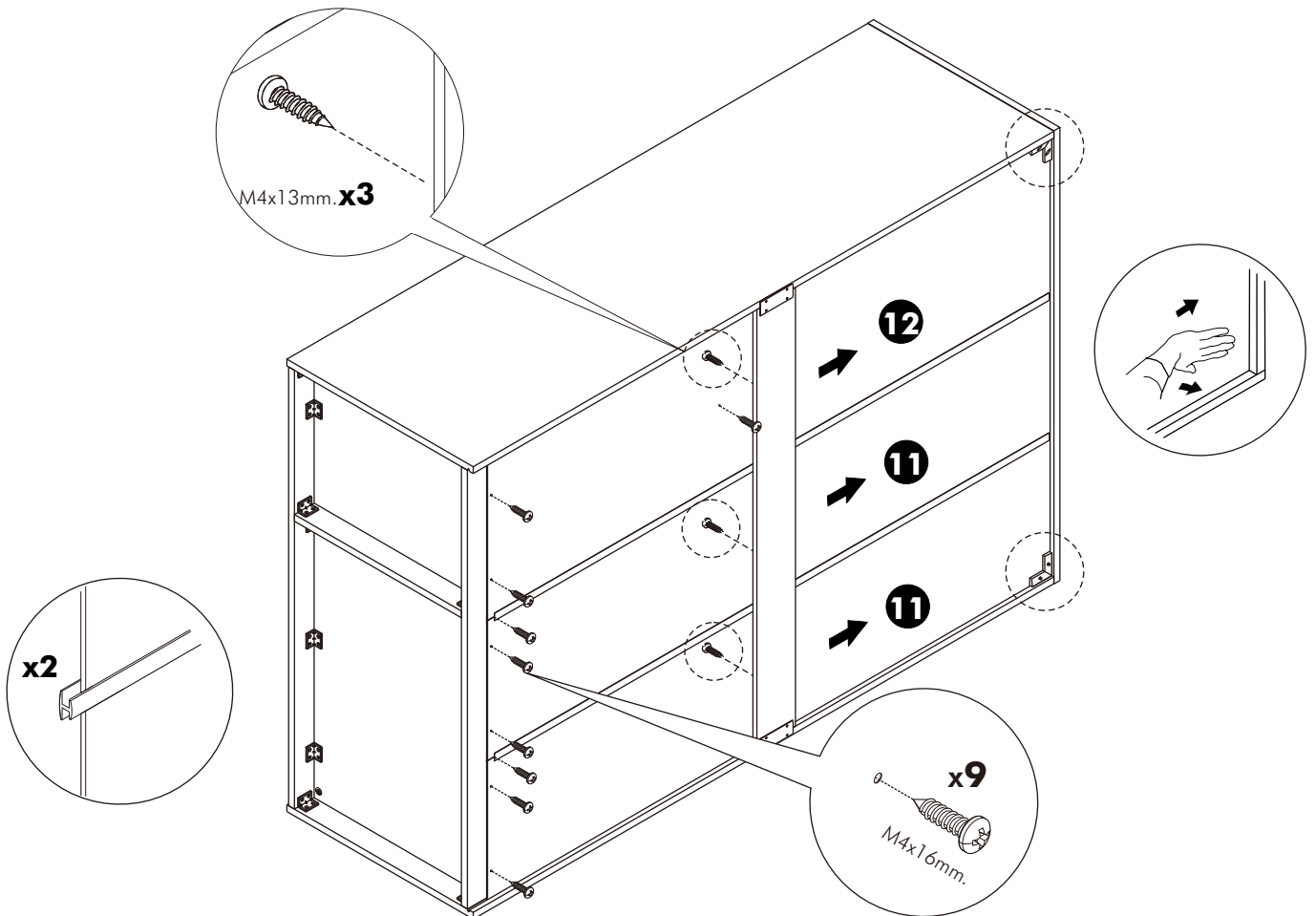
**2.**



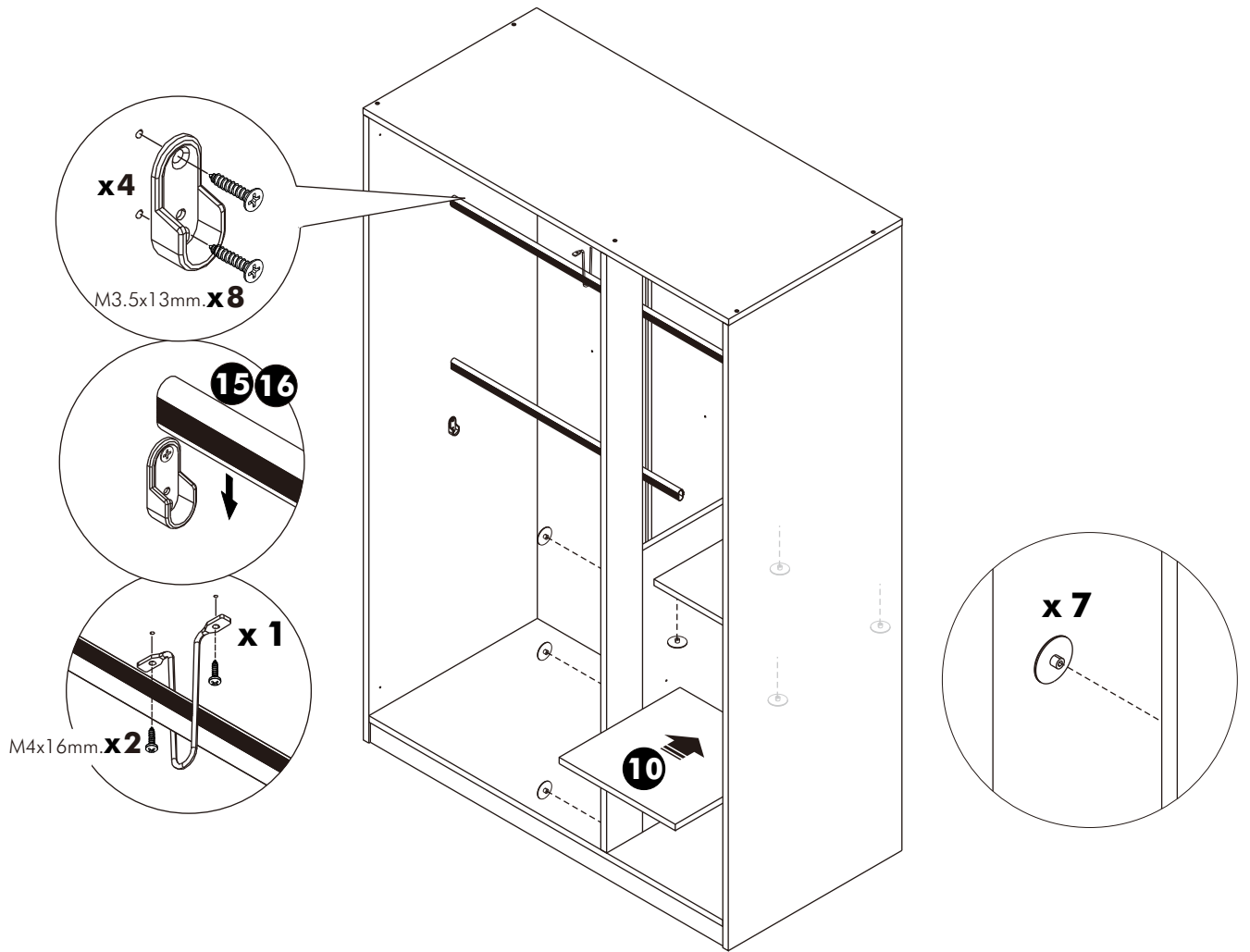
**3.**



**4.**

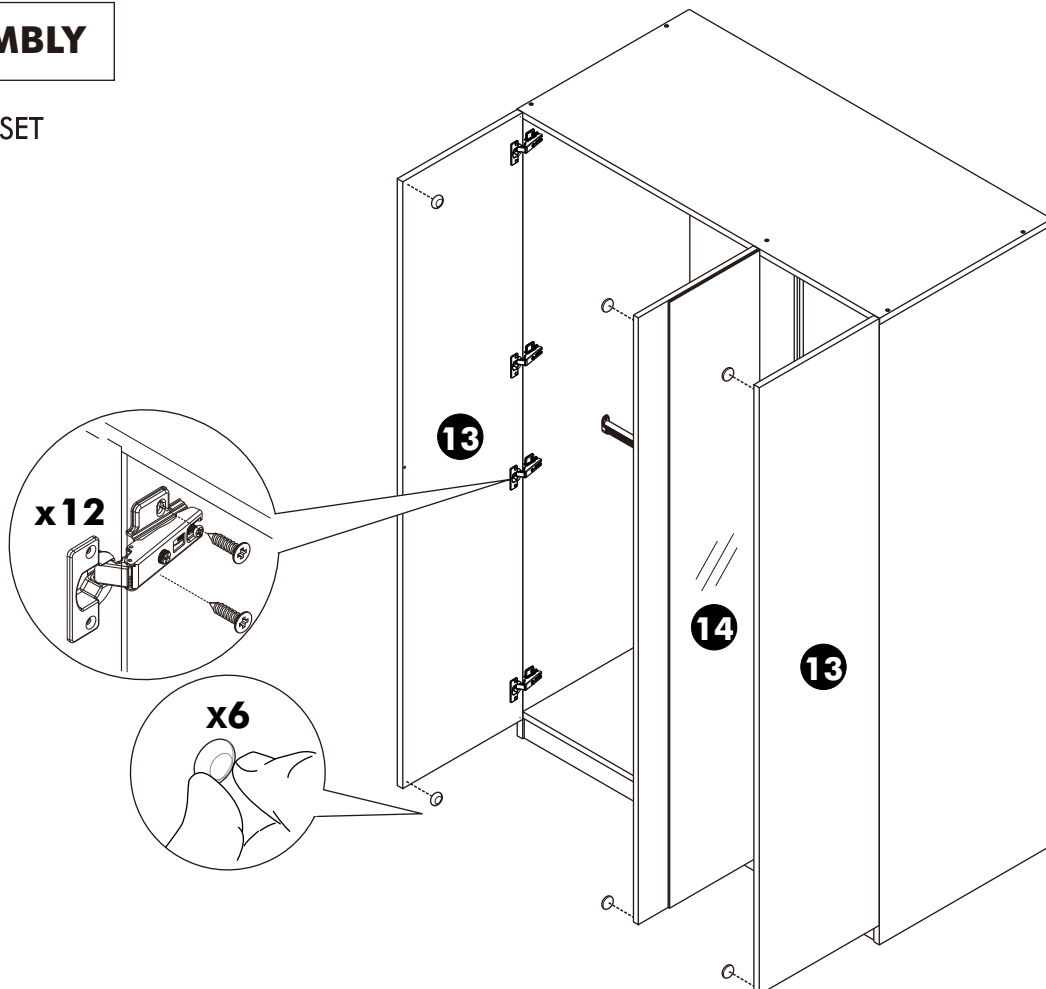


**5.**



**ASSEMBLY**

-DOOR SET



# ASSEMBLY

-DOOR SET

