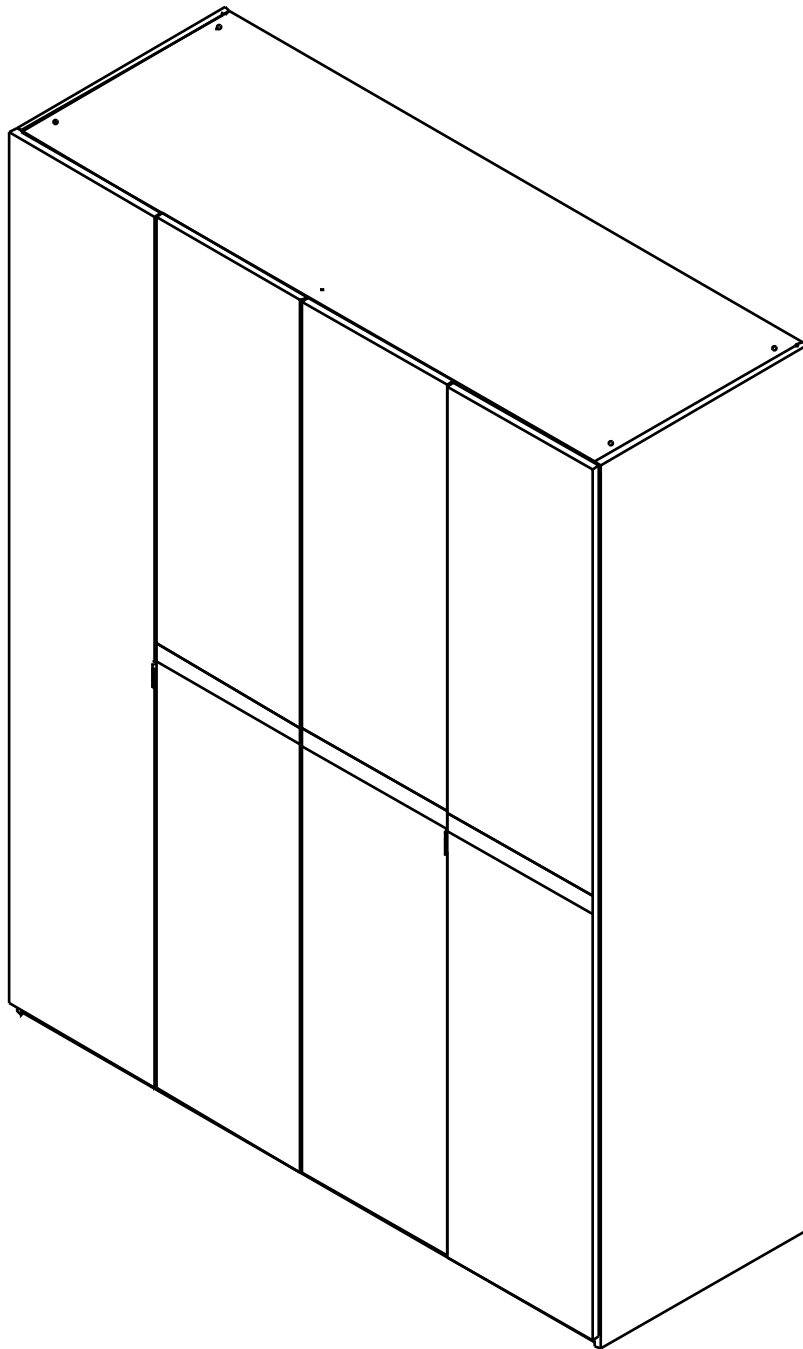
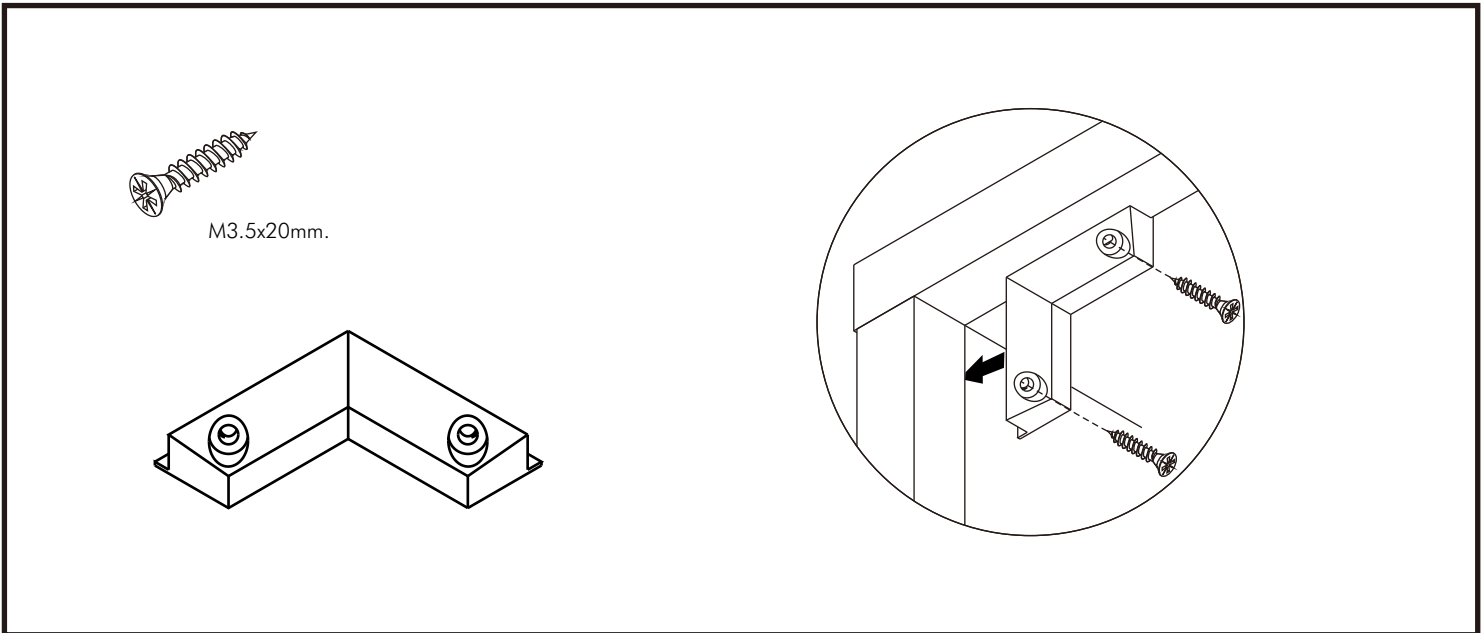
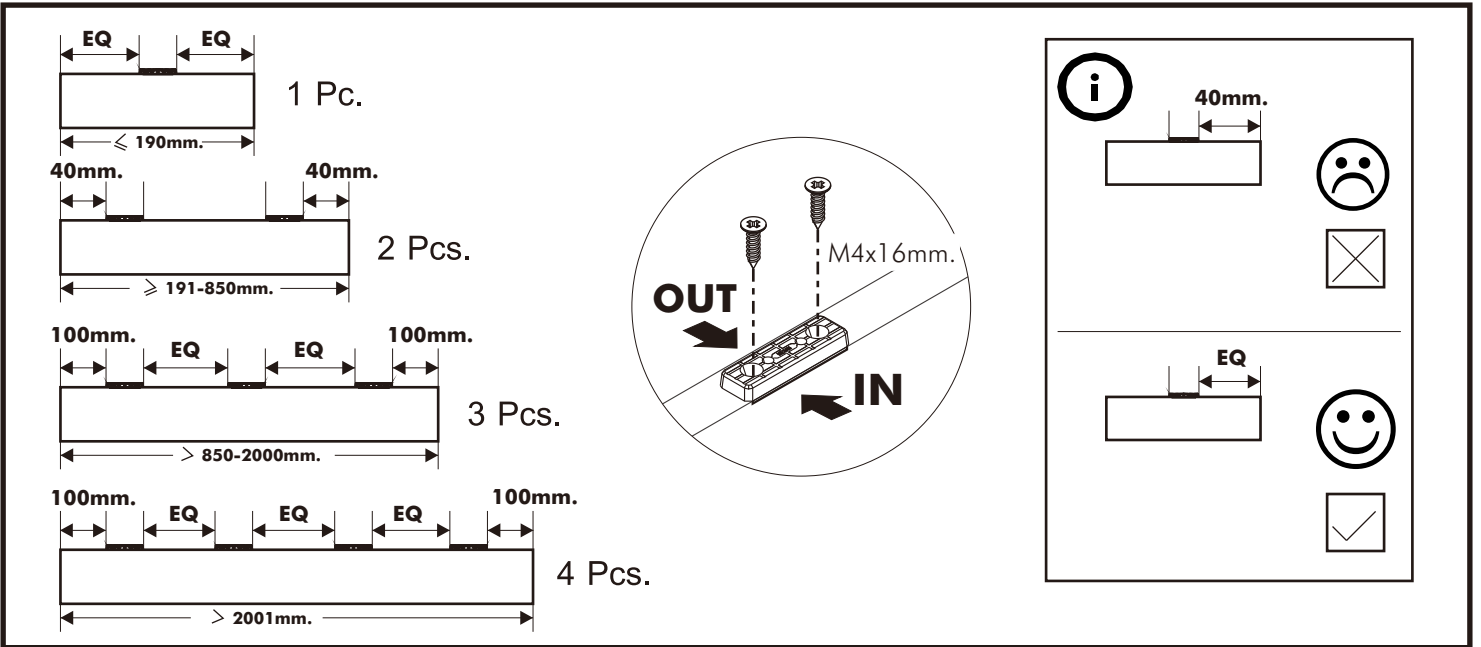
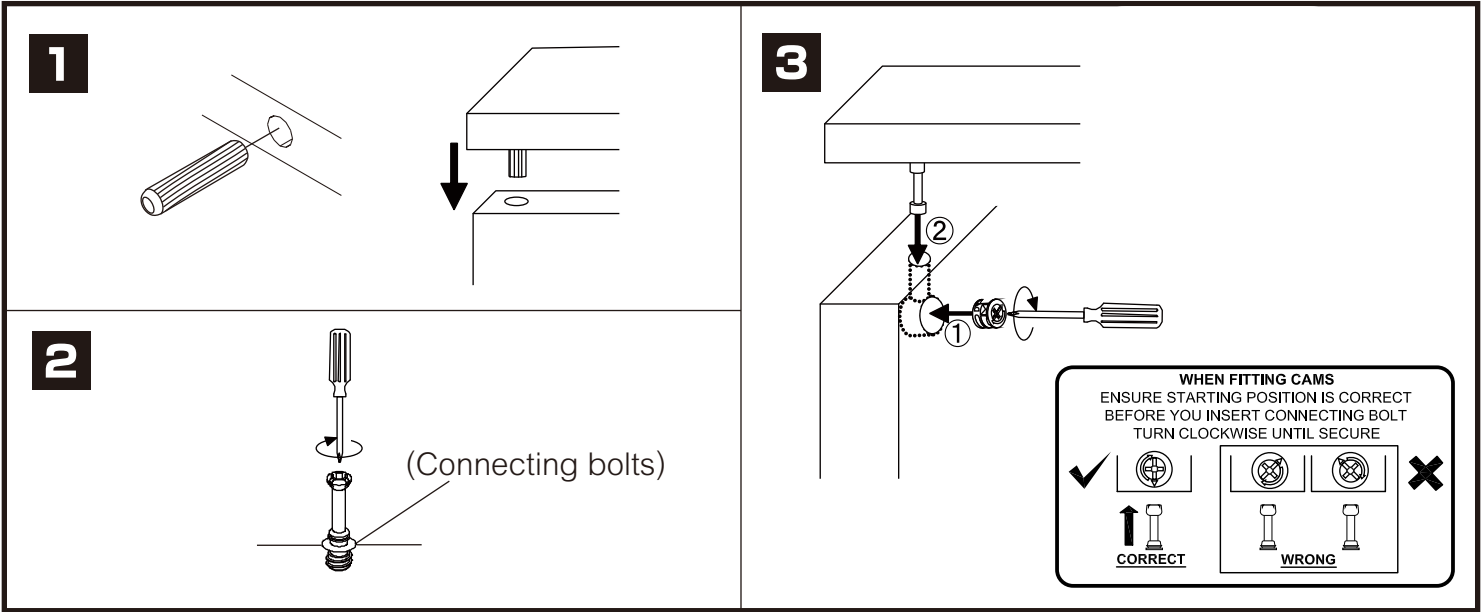


# CELLO/P

Wardrobe 4 drs



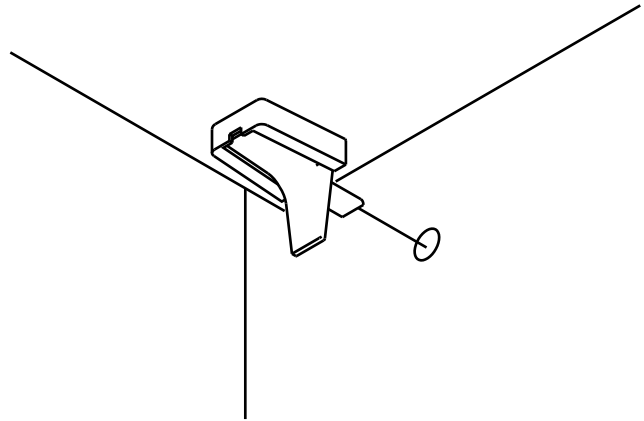
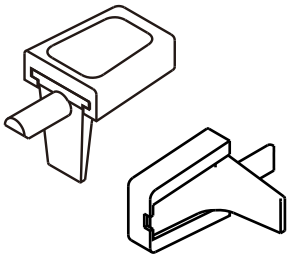
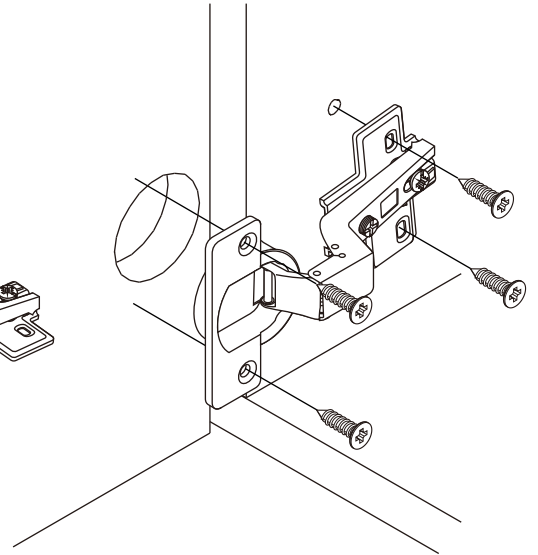
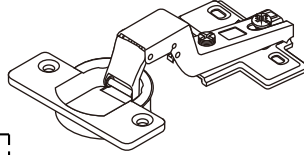
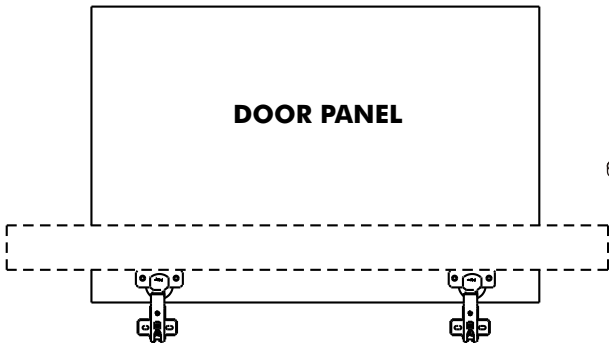
# CONNECT SYSTEM





M4x16mm.

**DOOR PANEL**

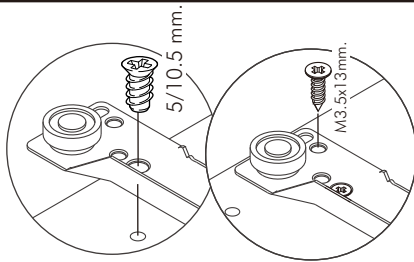


5/10.5 mm.



M3.5x13mm.

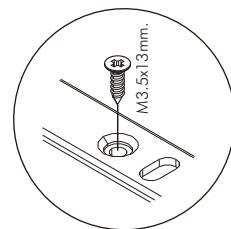
**1**



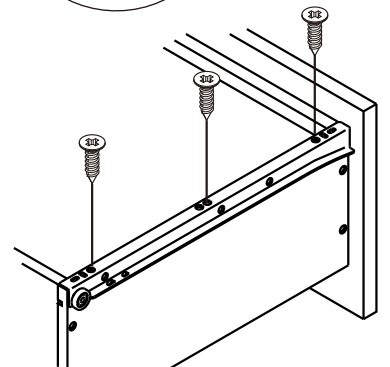
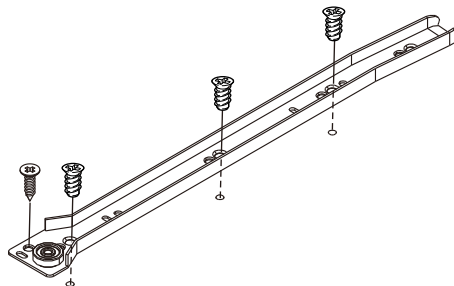
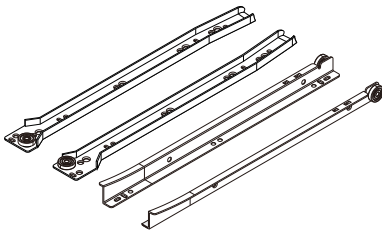
5/10.5 mm.

M3.5x13mm.

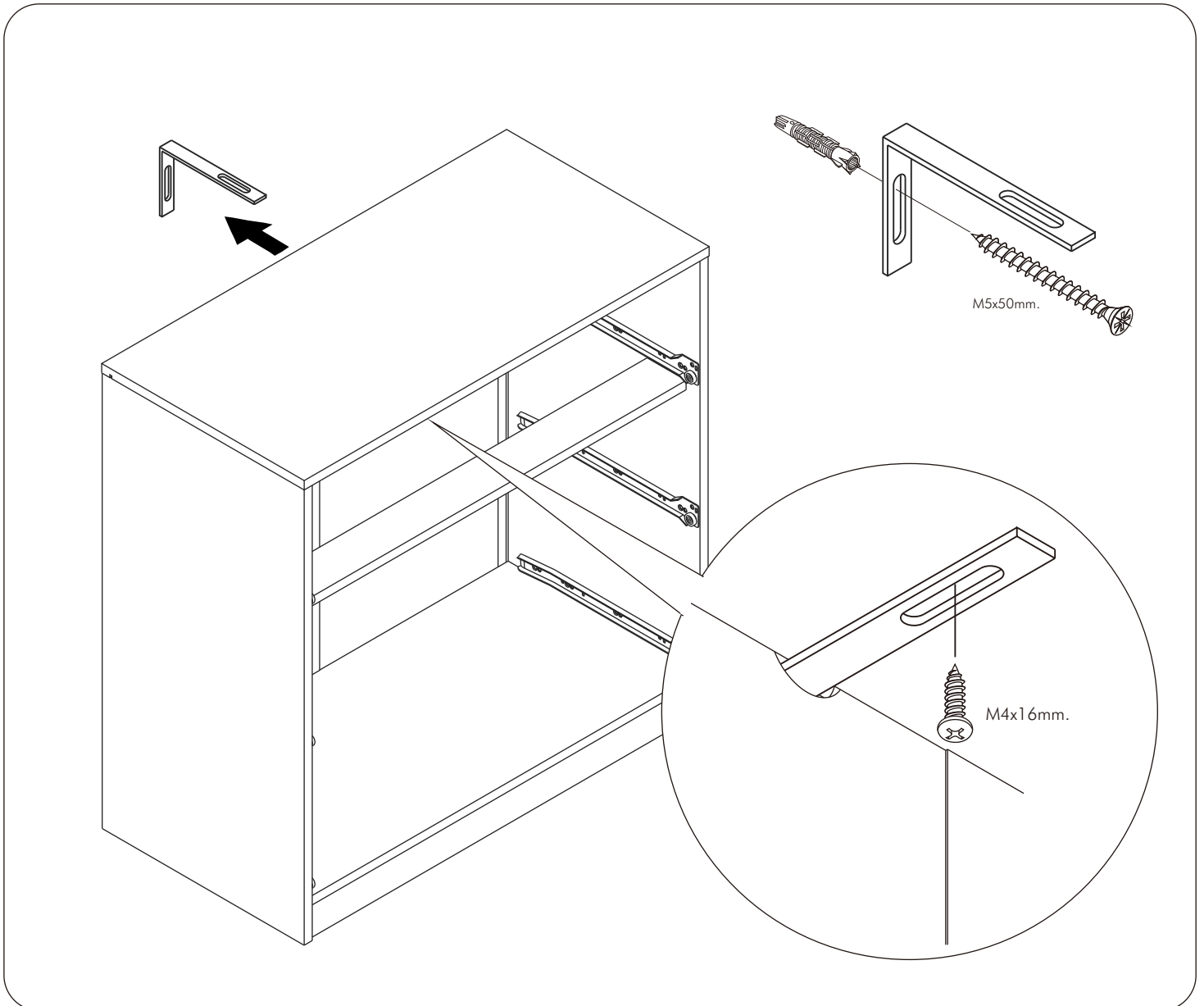
**2**



M3.5x13mm.



**x2**



**The Standard for identifying which mounted safety fall protection fitting to use** **Note : That children's products must be installed with all anti-falling fittings.**

■ Mounted fall protection fittings



■ Category : Cabinet with open doors



■ Category : Chest of drawers

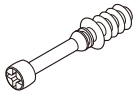


■ Category : Sliding door cabinet / Open cabinet



# HARDWARE

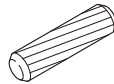
## -BODY SET



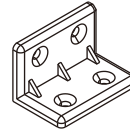
**x 25**



**x 25**



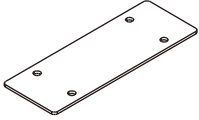
**x 50**



**x 11**



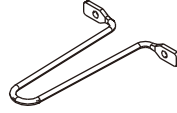
**x 8**



**x 2**



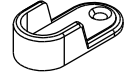
**x 10**



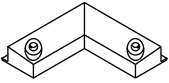
**x 1**



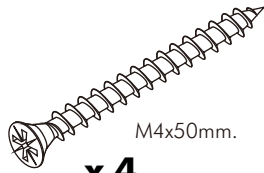
**x 3**



**x 2**



**x 2**



**x 4**



**x 30**



**x 4**



**x 68**



M3.5x13mm.

**x 4**



M4x16mm.

**x 43**



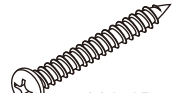
M4x25mm.

**x 28**



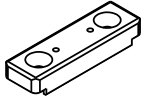
M4x35mm.

**x 3**

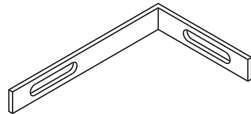


M4x45mm.

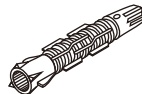
**x 6**



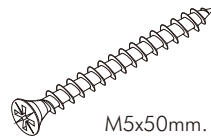
**x 12**



**x 2**



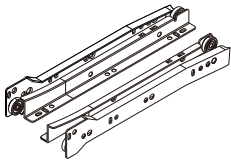
**x 2**



M5x50mm.

**x 2**

## -DRAWER SET

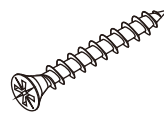


**x 1**



M3.5x13mm.

**x 8**



M4x40mm.

**x 11**



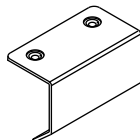
M6x23mm.

**x 3**



#GAL5/10.5 mm.

**x 6**



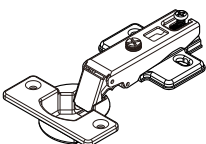
**x 2**



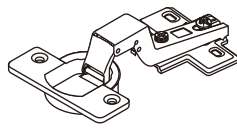
#6x5/8" (BK)

**x 4**

## -DOOR SET



**x 8**



**x 8**



M4x16mm.

**x 64**



**x 8**



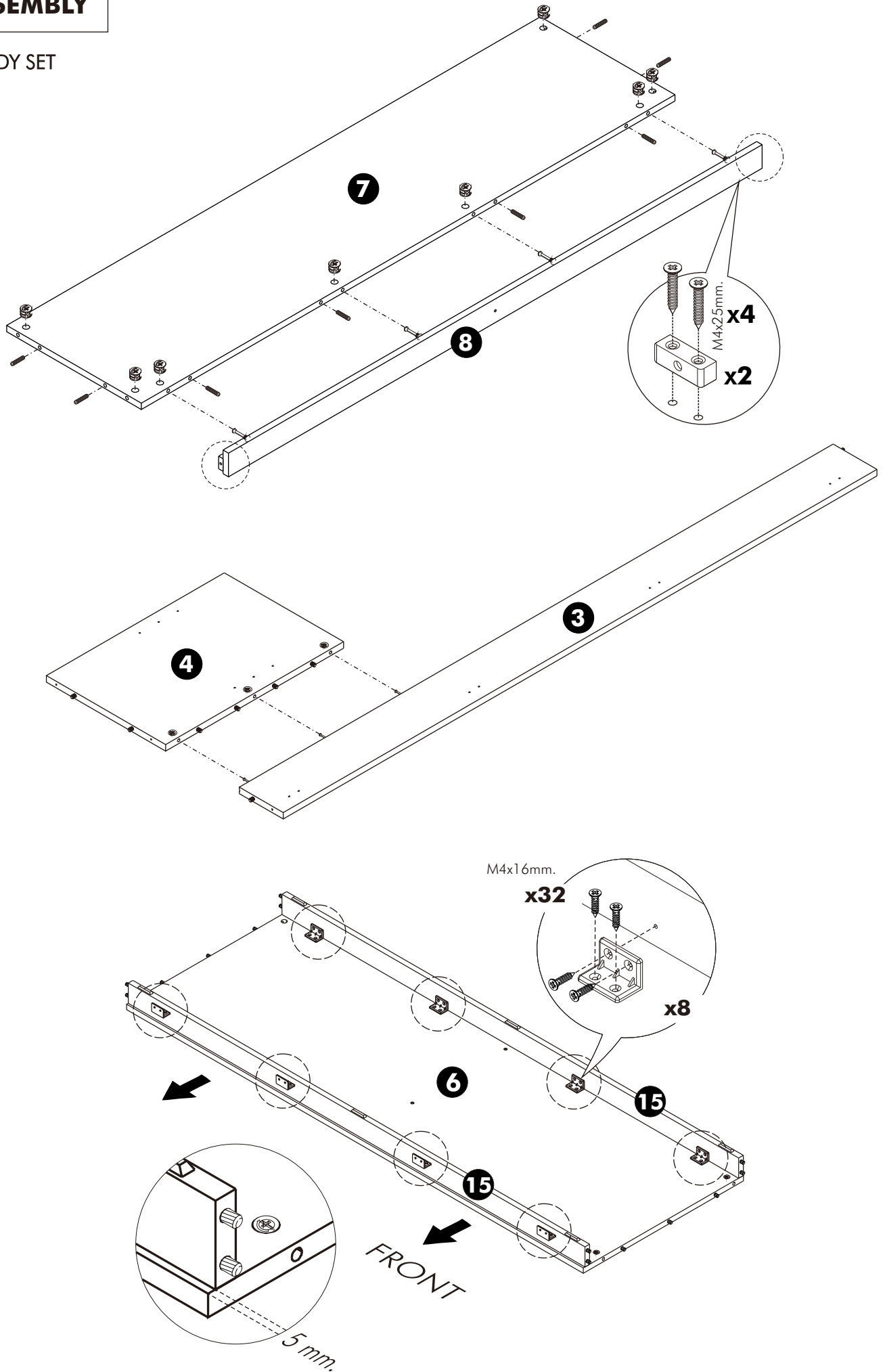
(Black)  
M4x25mm.

**x 24**

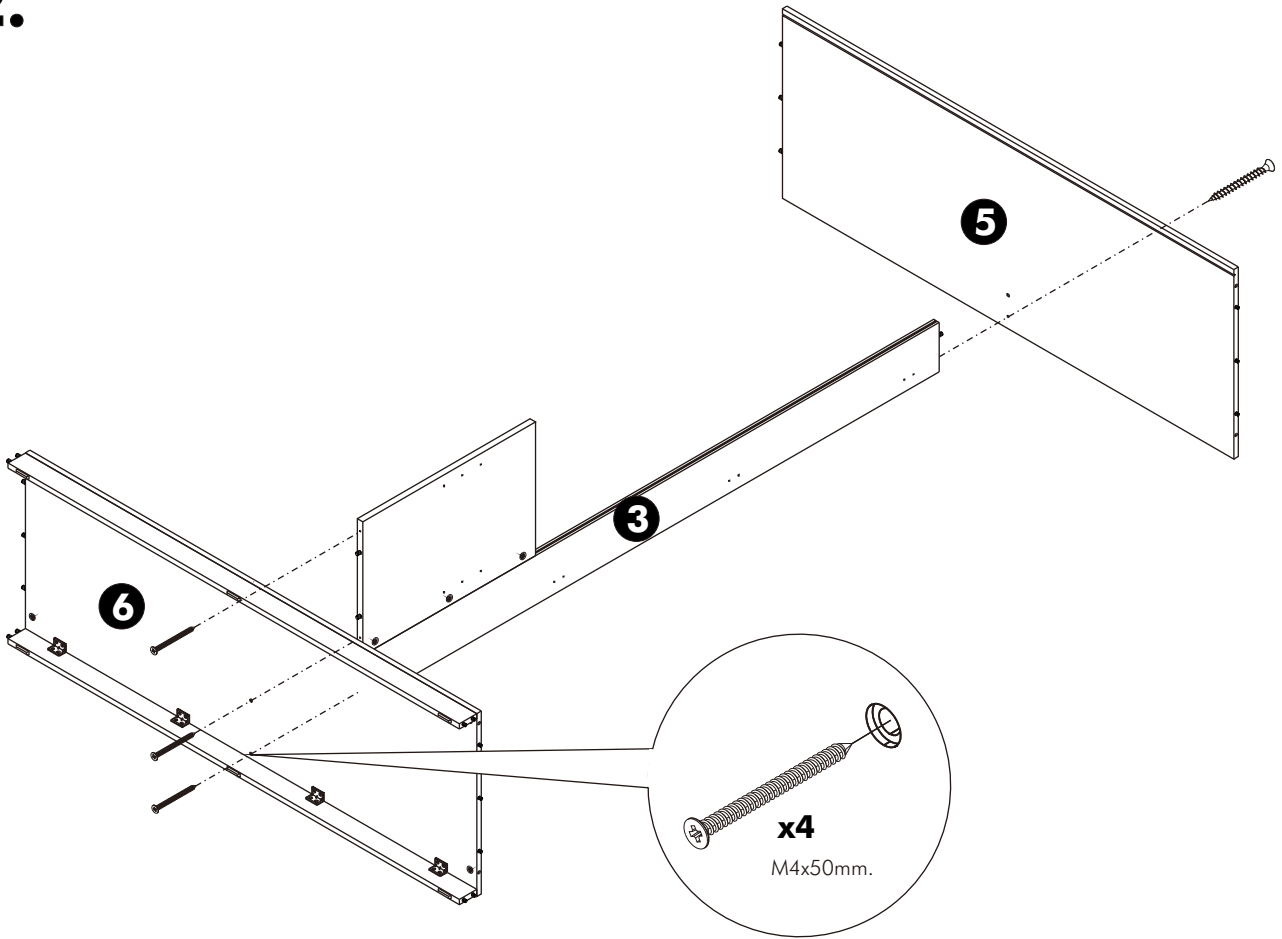
# ASSEMBLY

-BODY SET

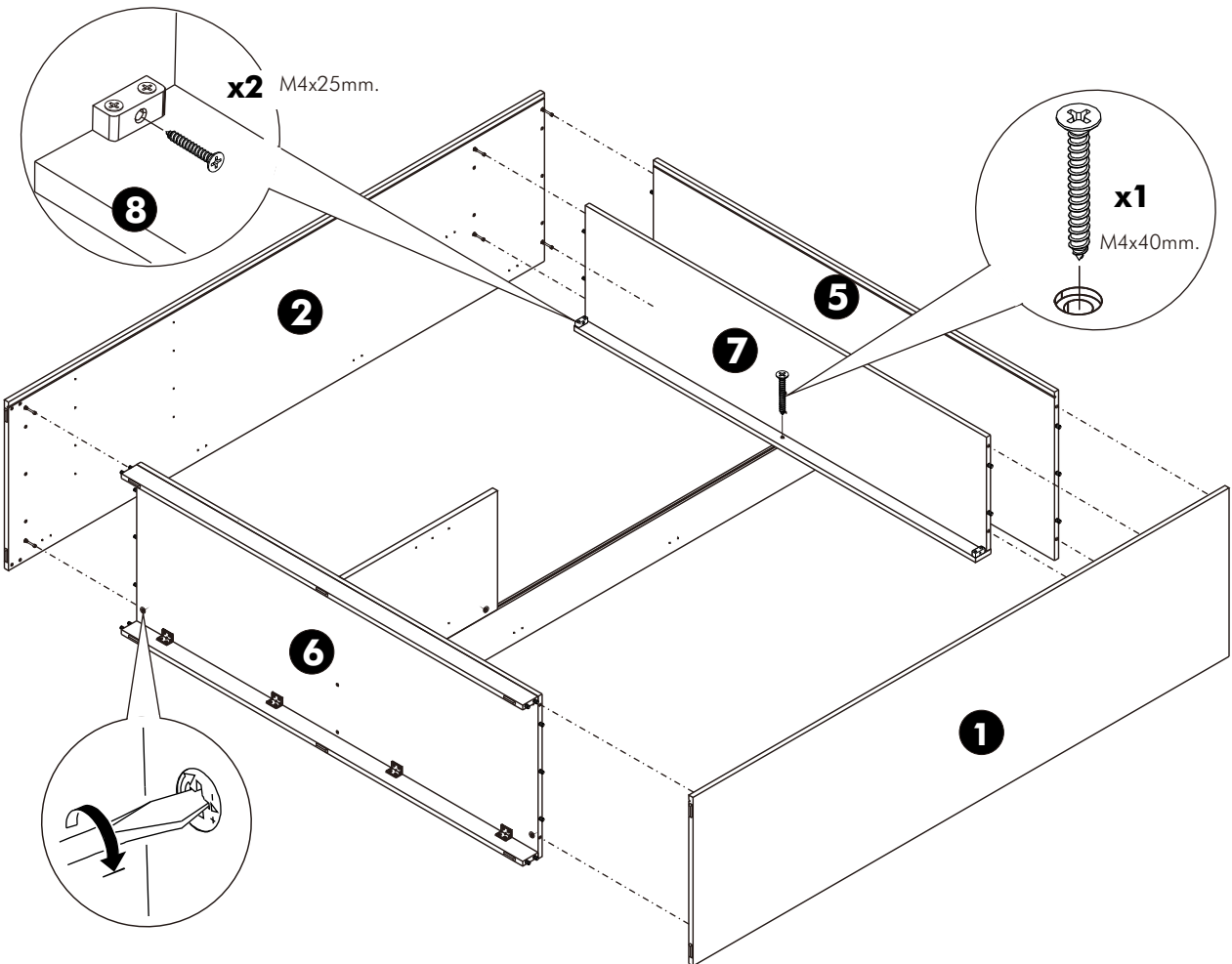
# 1.



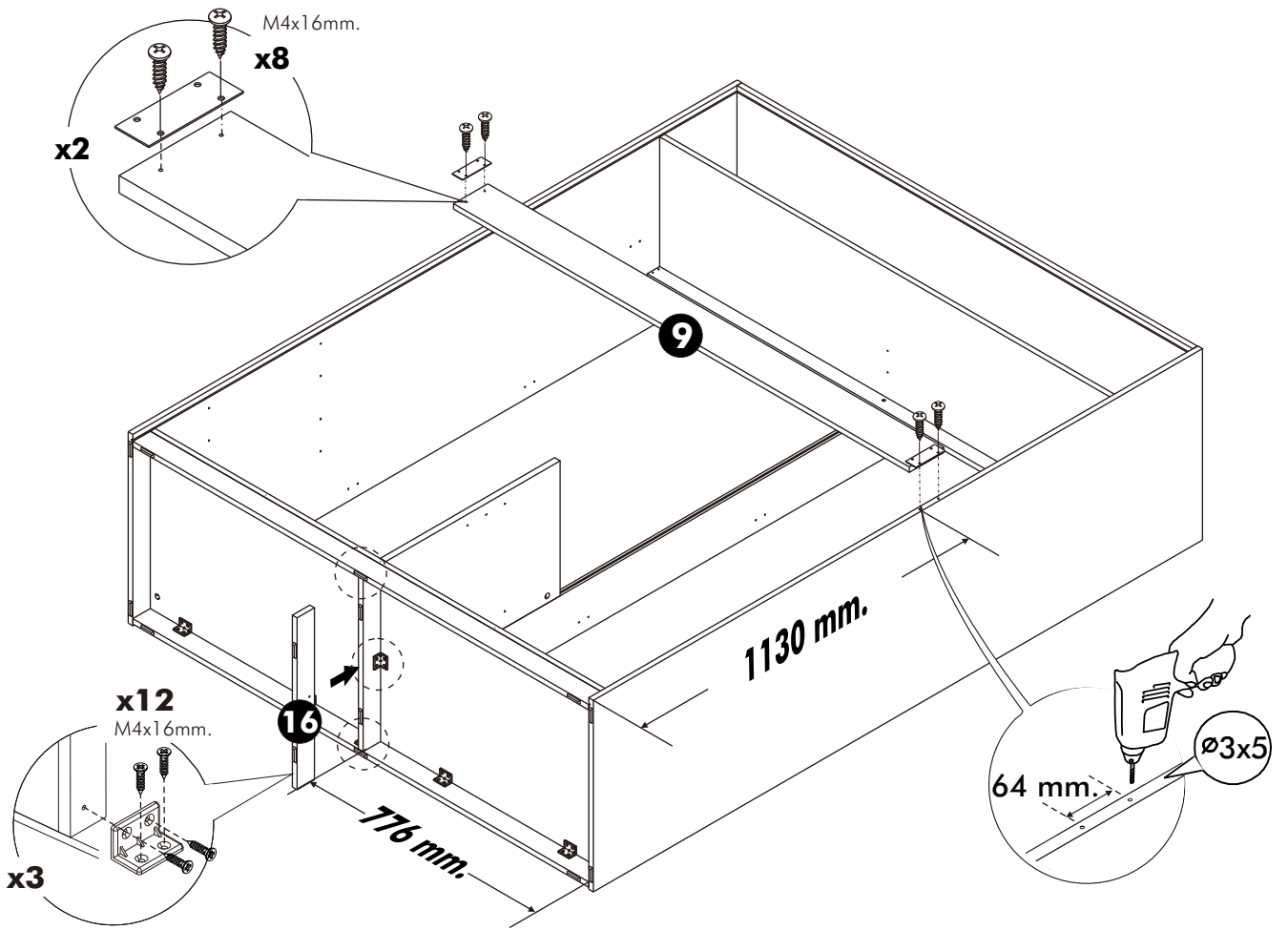
**2.**



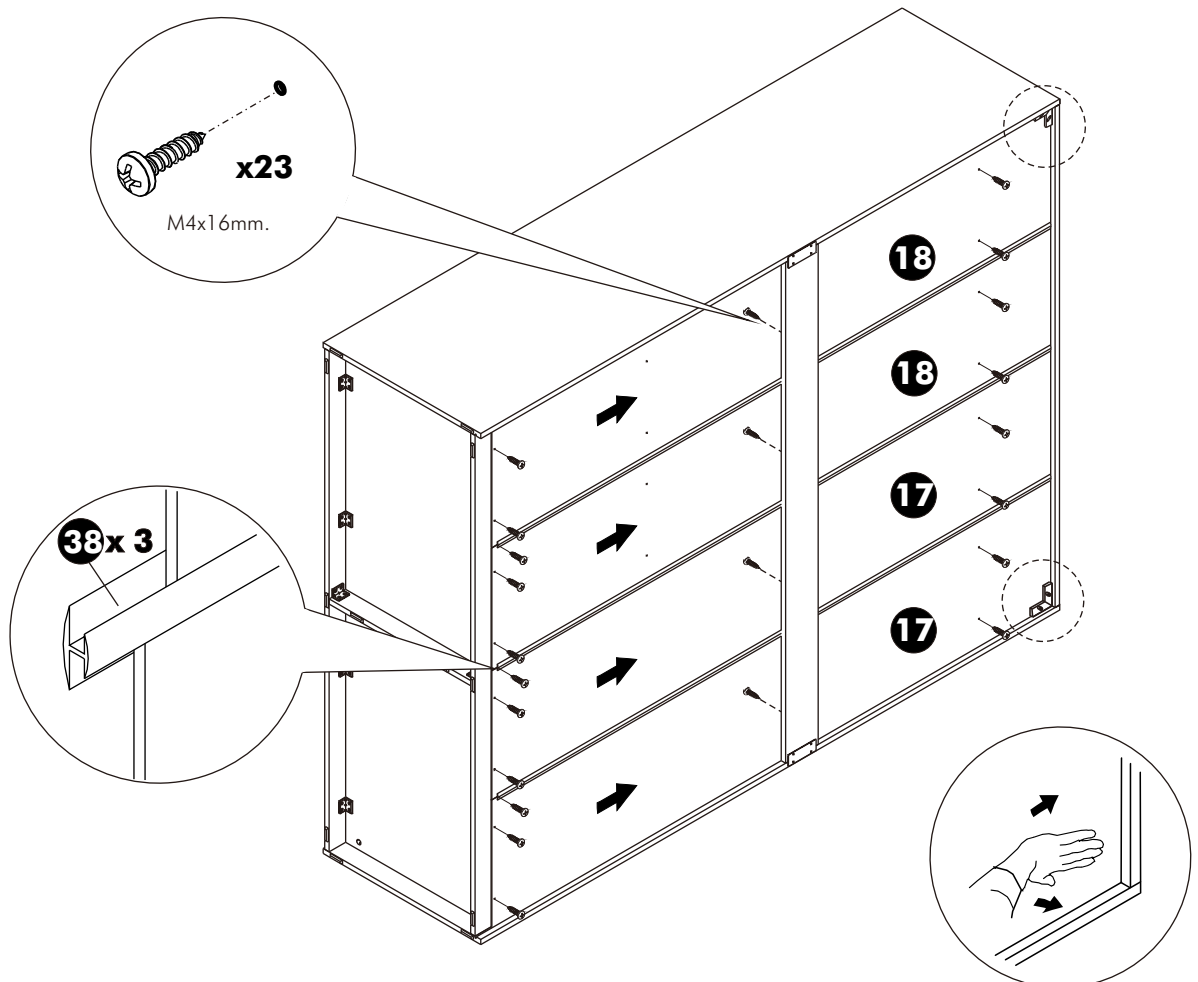
**3.**



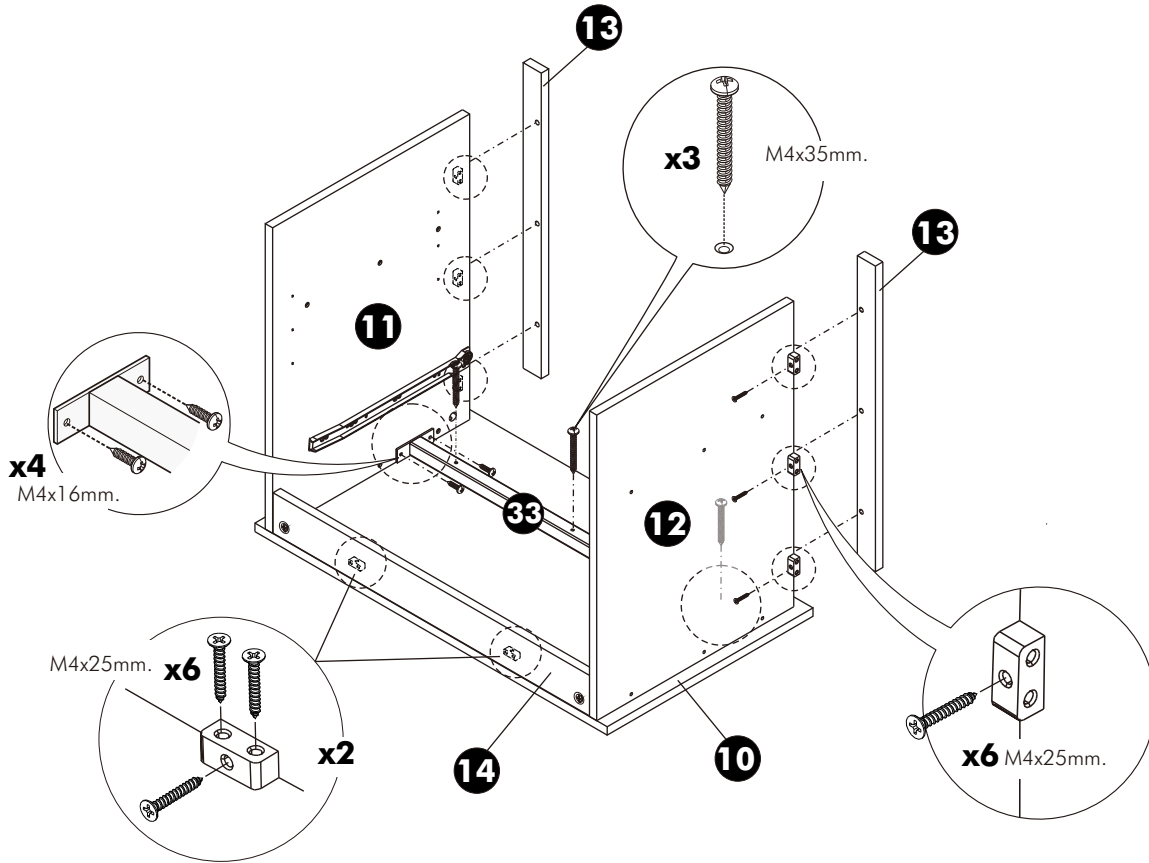
**4.**



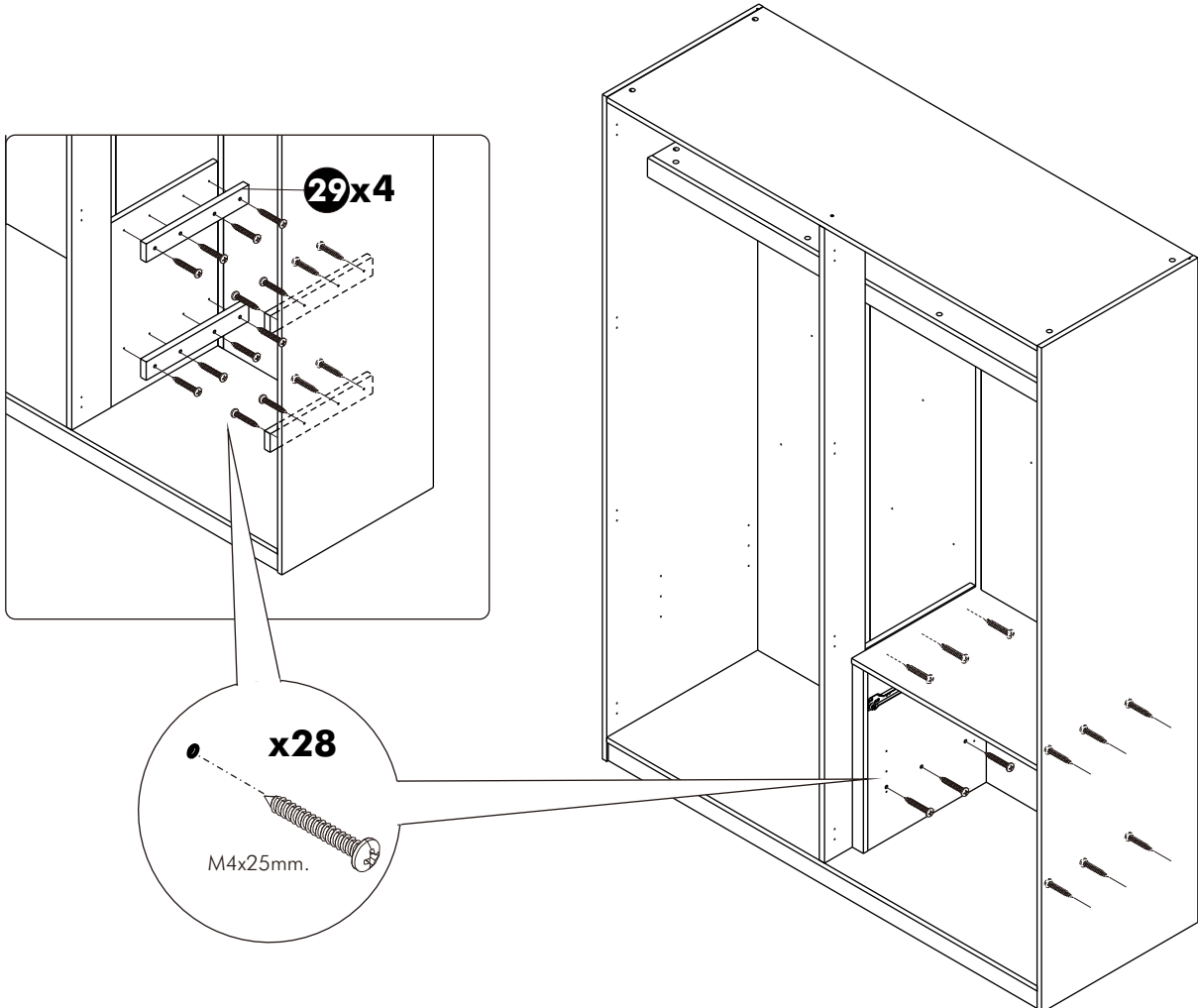
**5.**



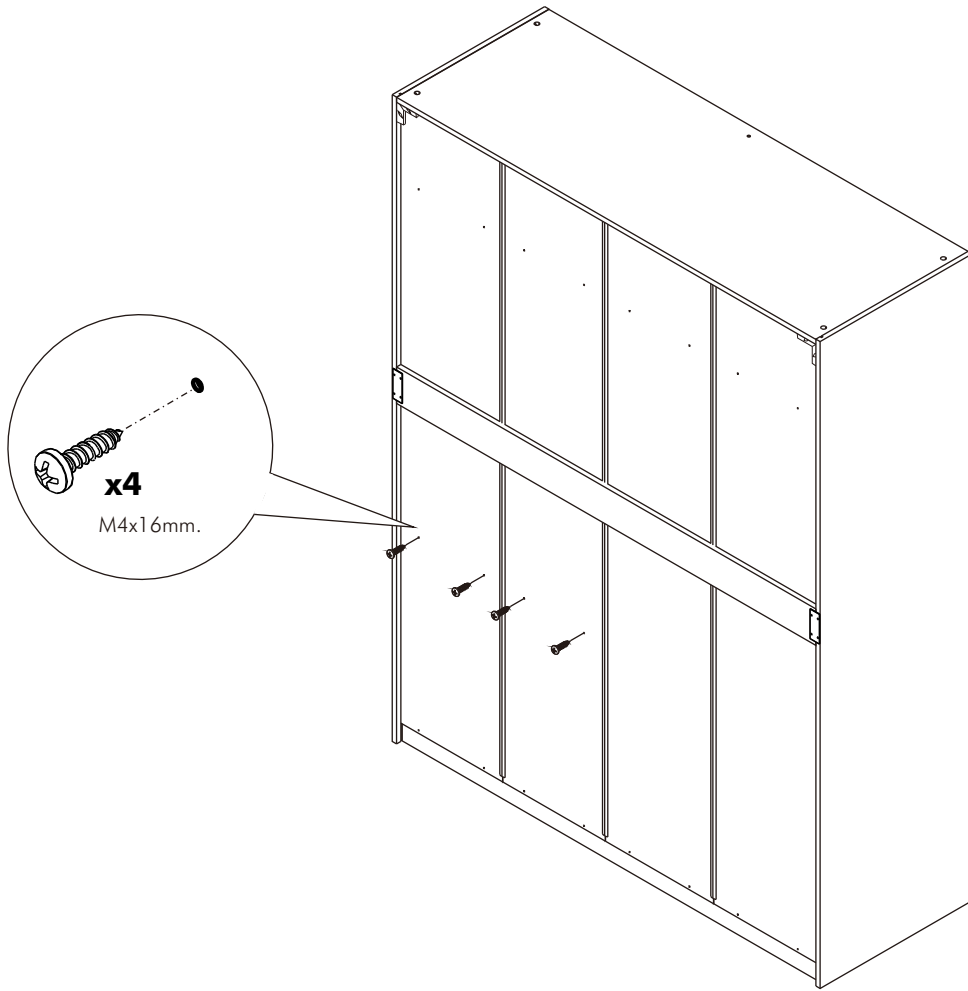
# 6.



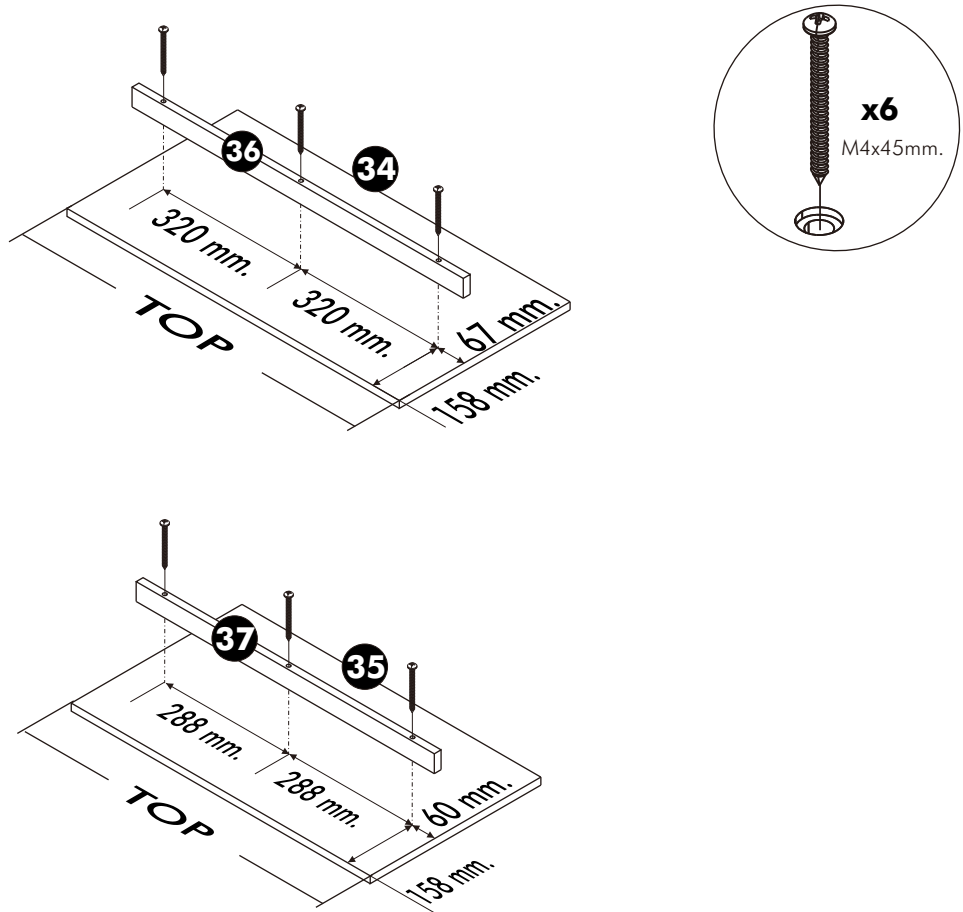
# 7.



8.

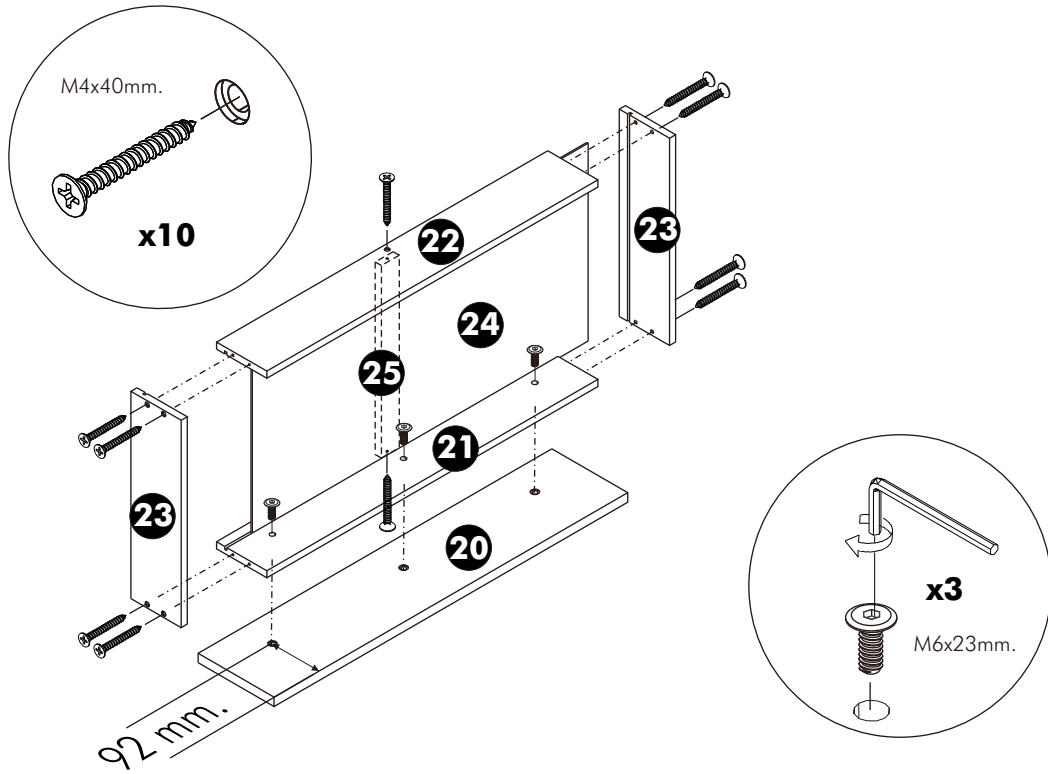


9.

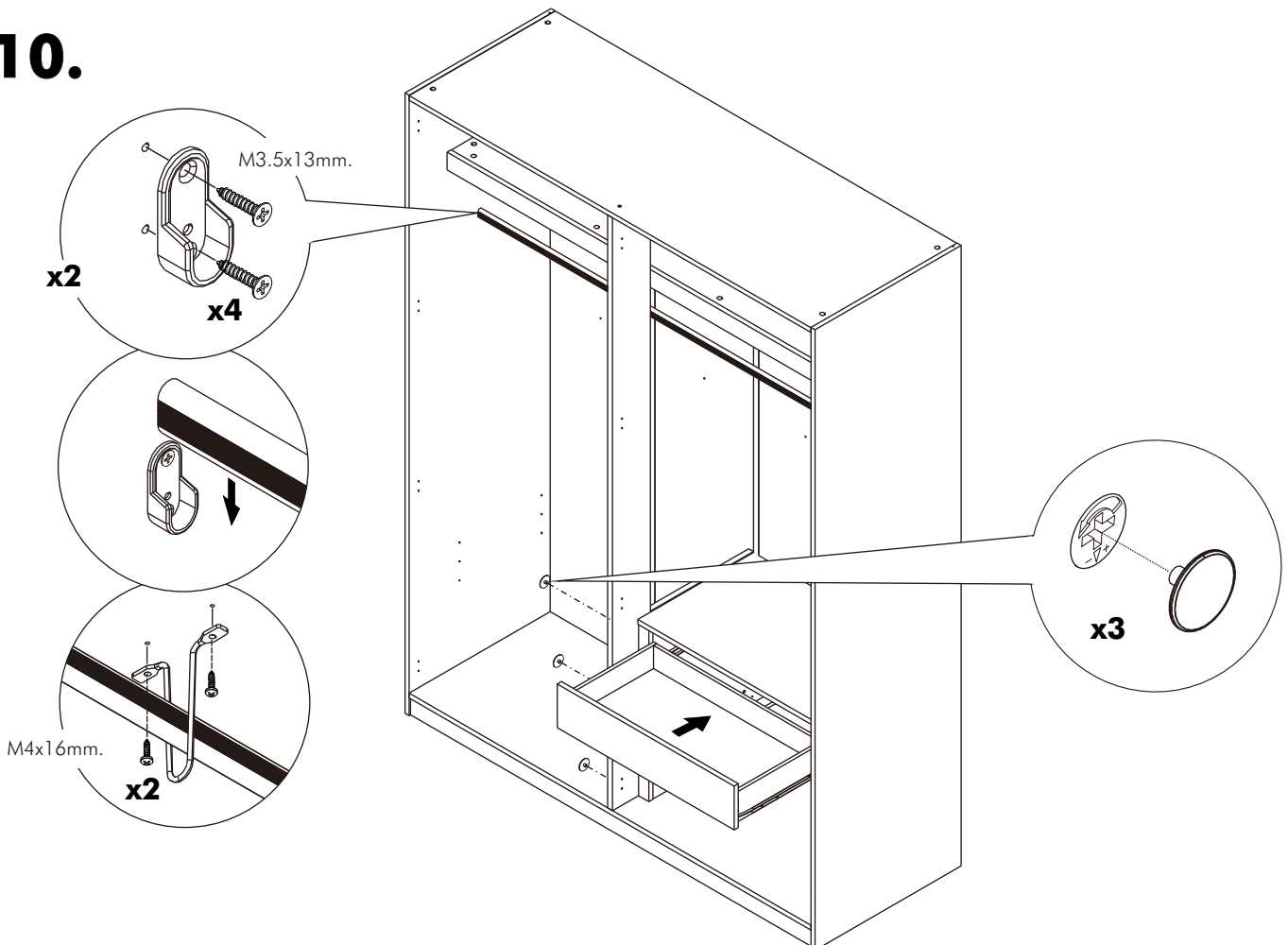


# ASSEMBLY

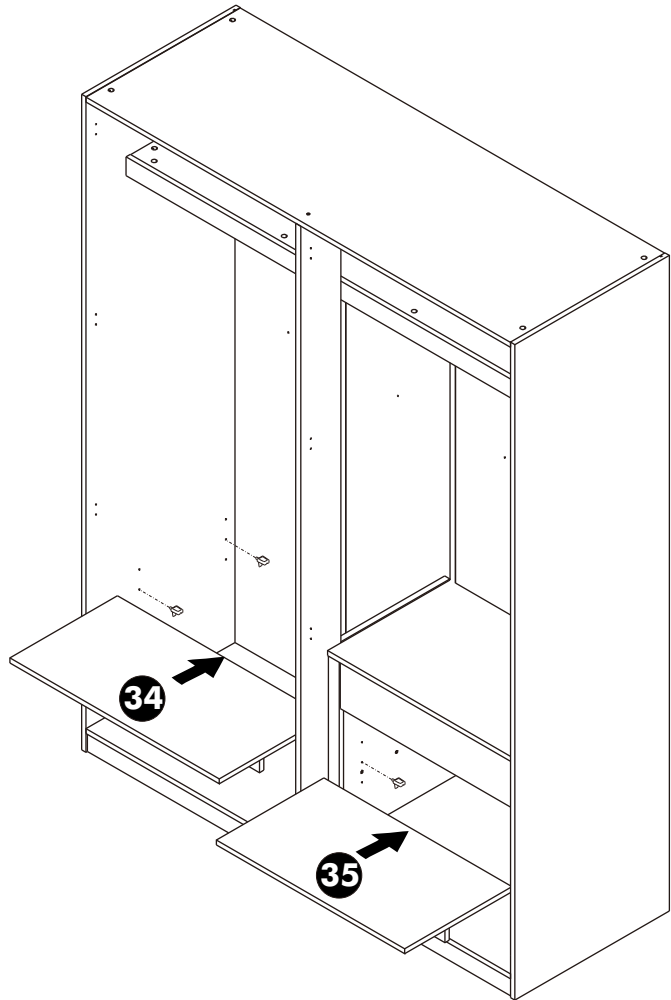
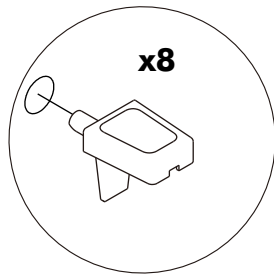
## -DRAWER SET



# 10.



# 11.

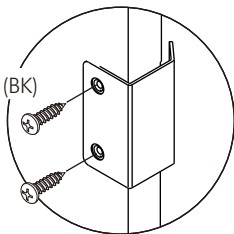


## ASSEMBLY

-DOOR SET

### 1.

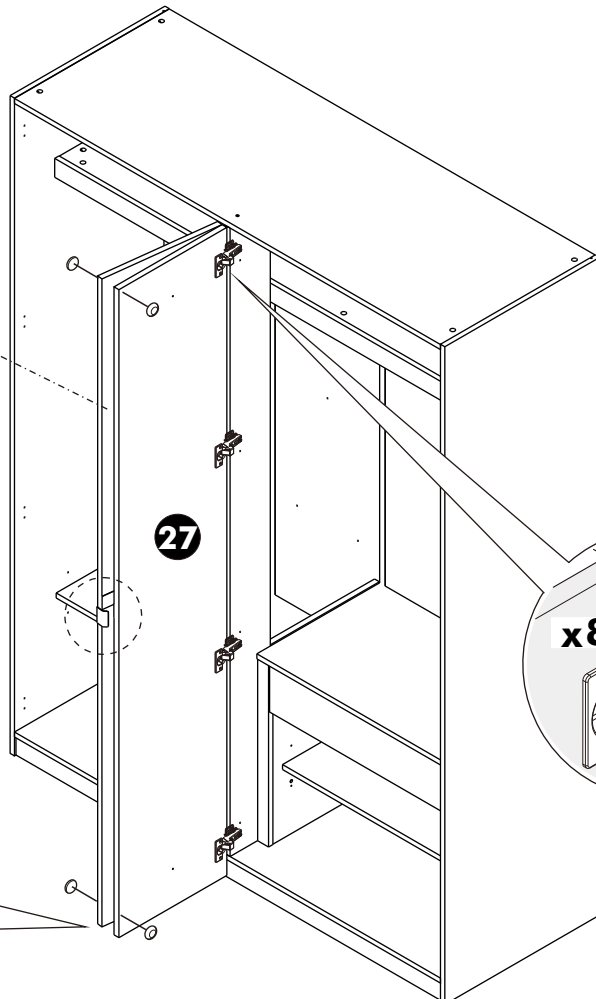
#6x5/8" (BK)



32mm.

969mm.

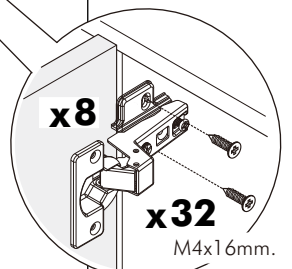
**27**



**27**

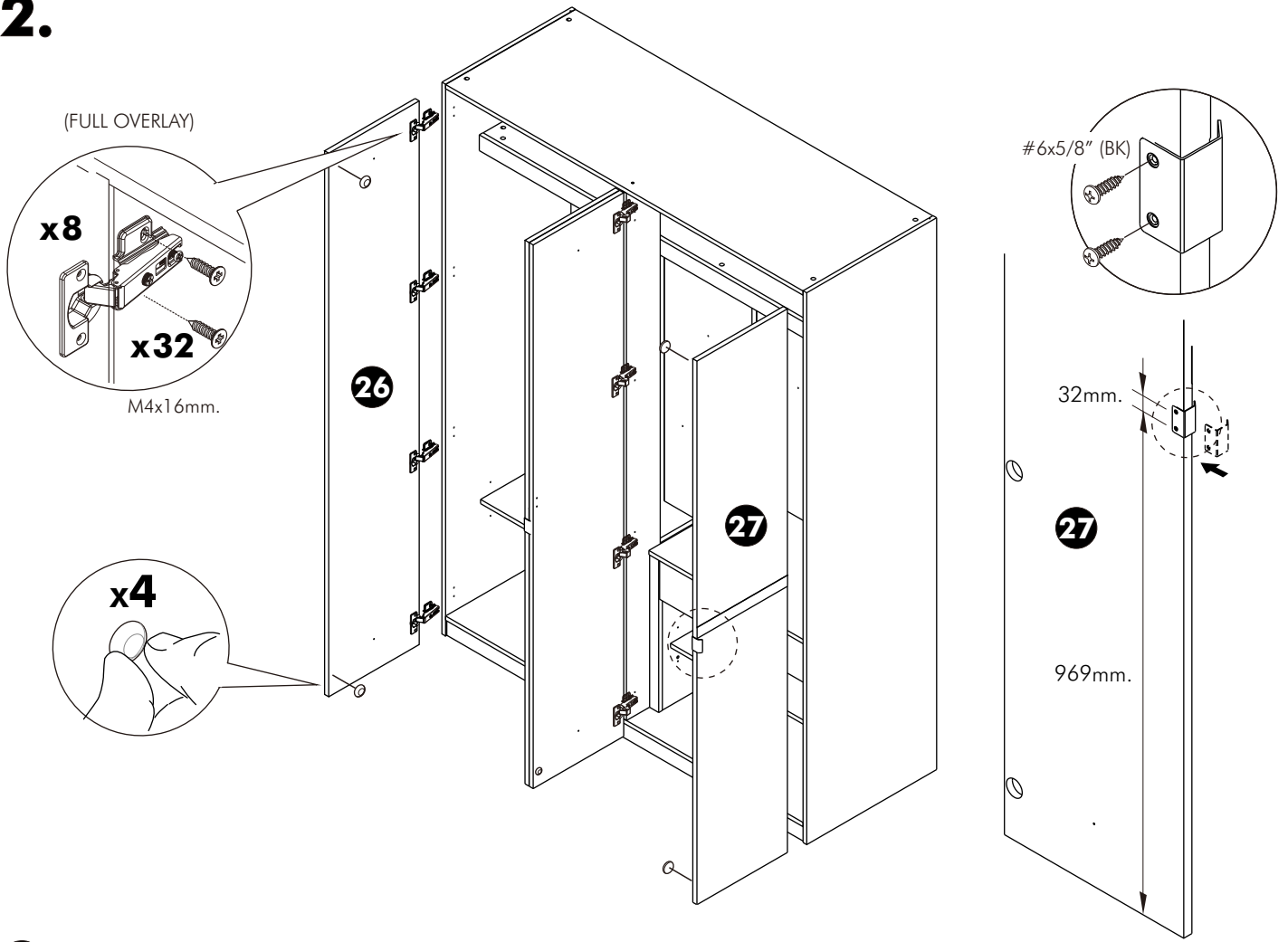


**x4**



(HALF OVERLAY)

# 2.



# 3.

