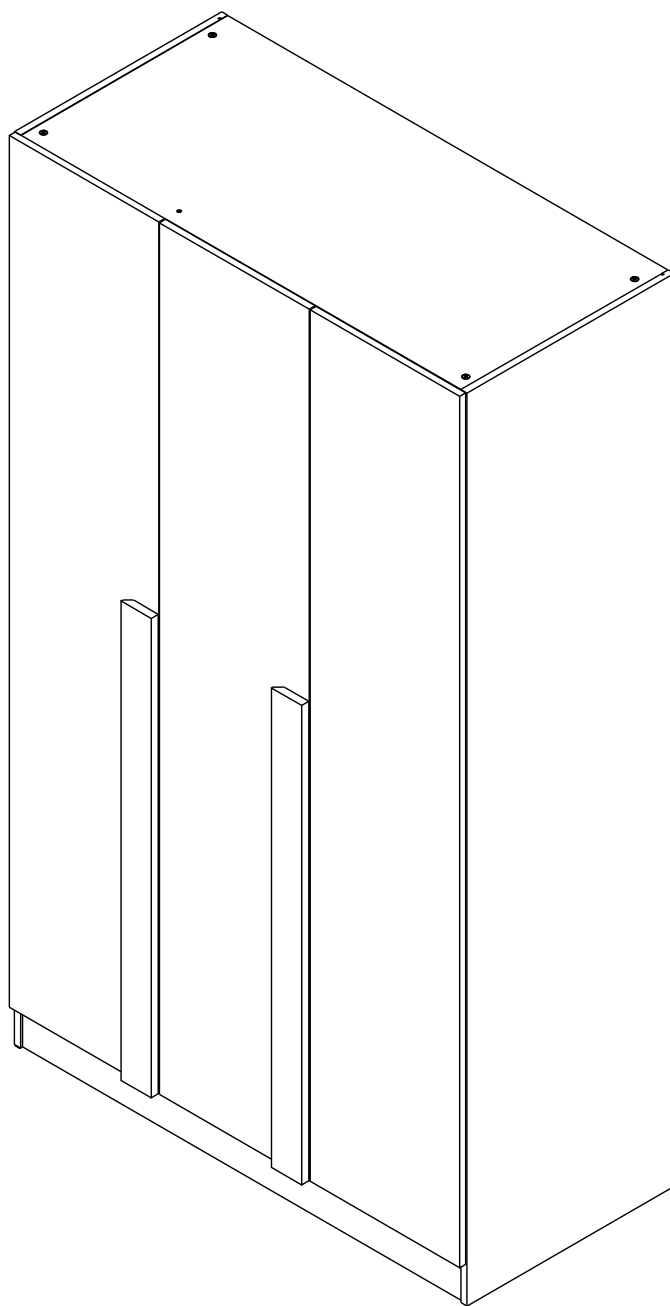
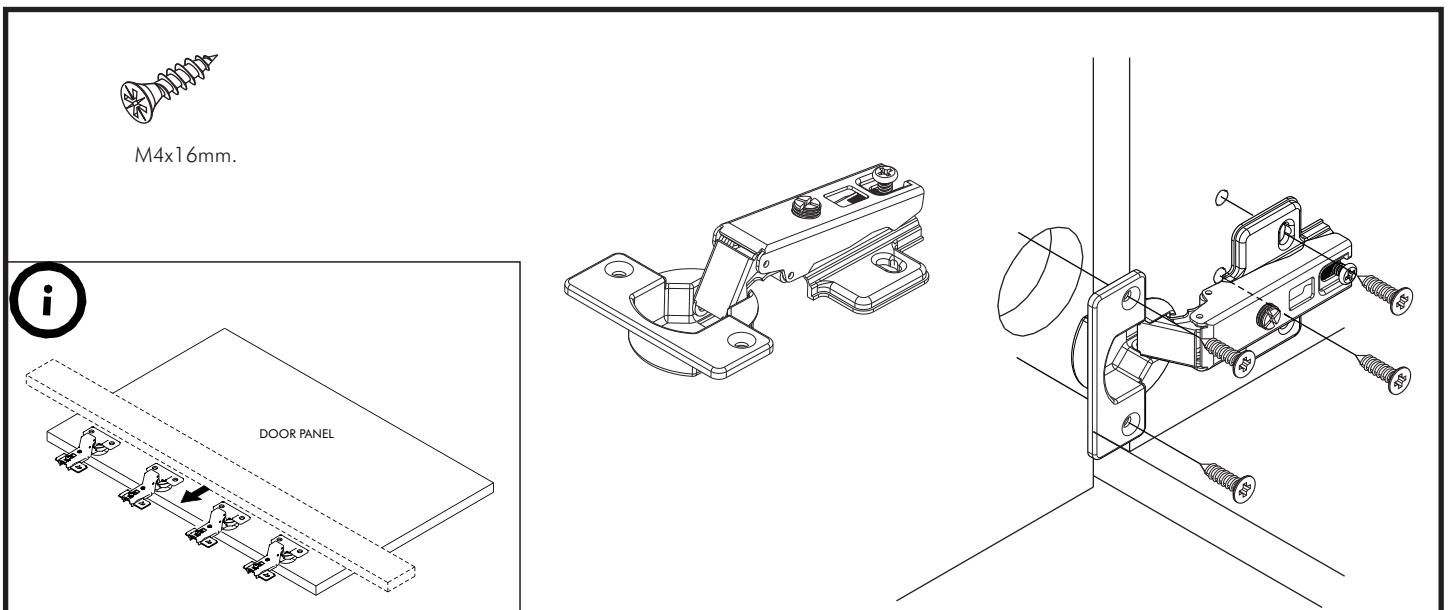
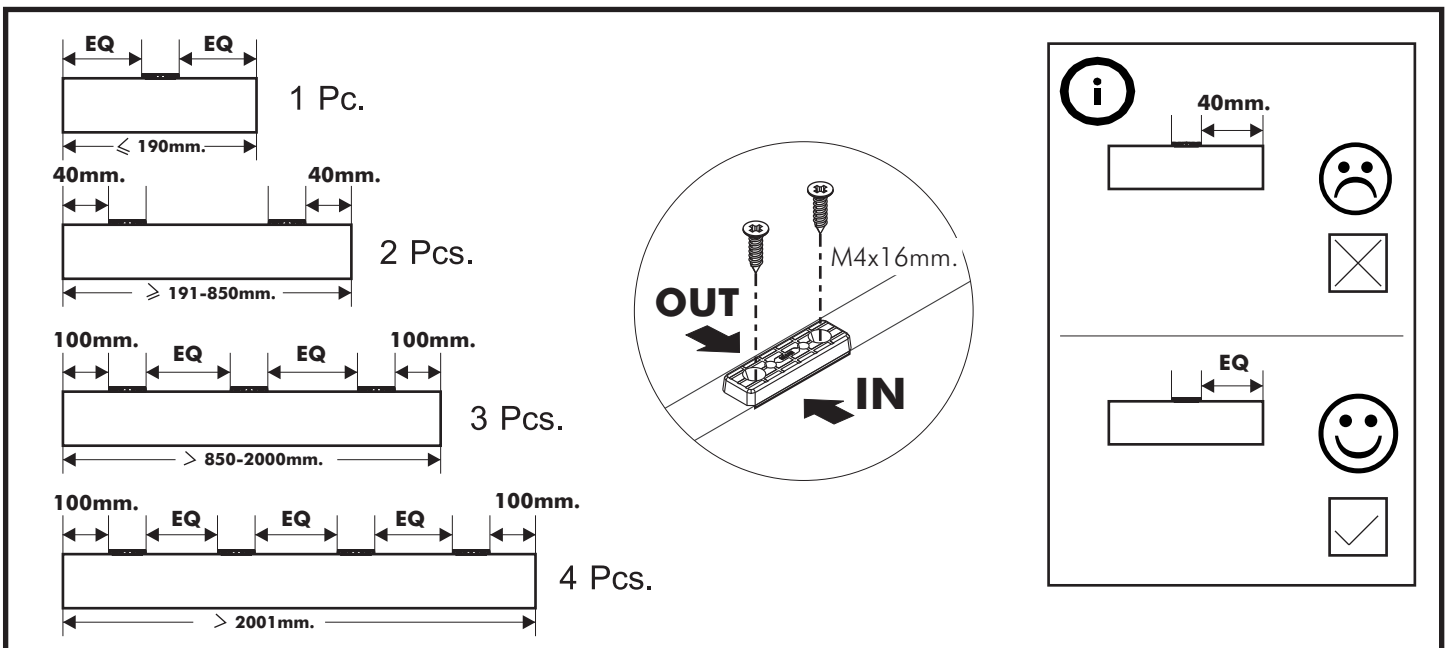
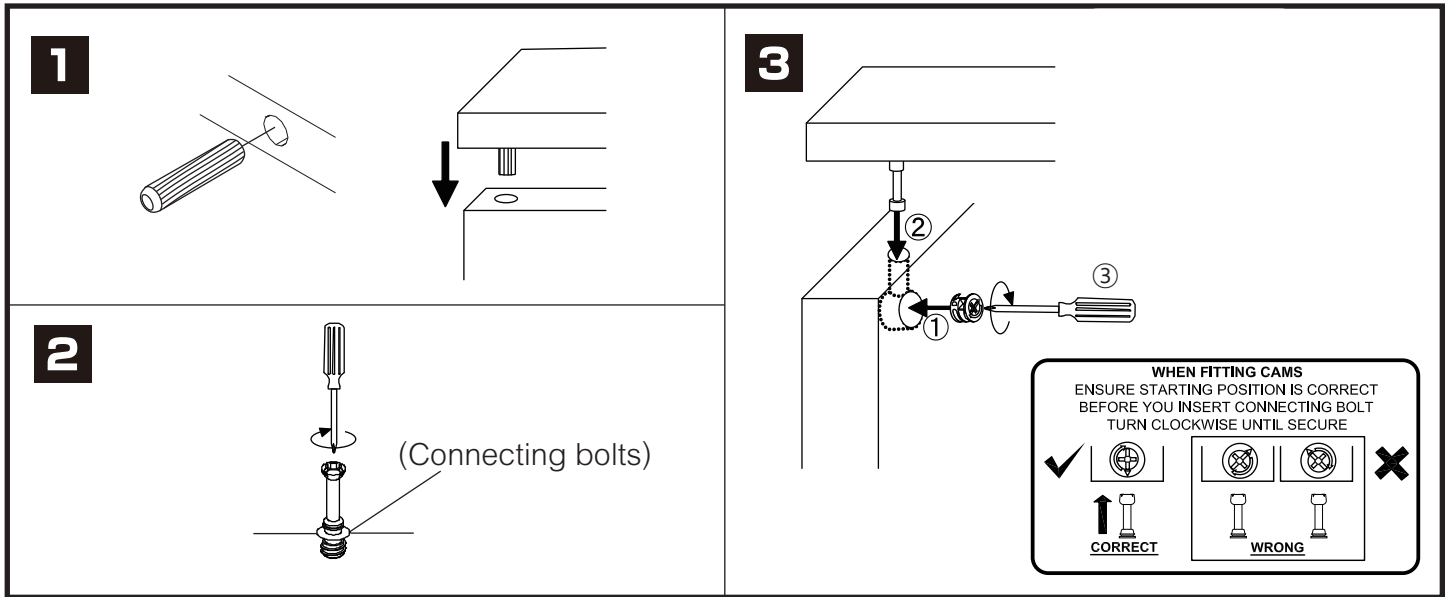


PIANO-P

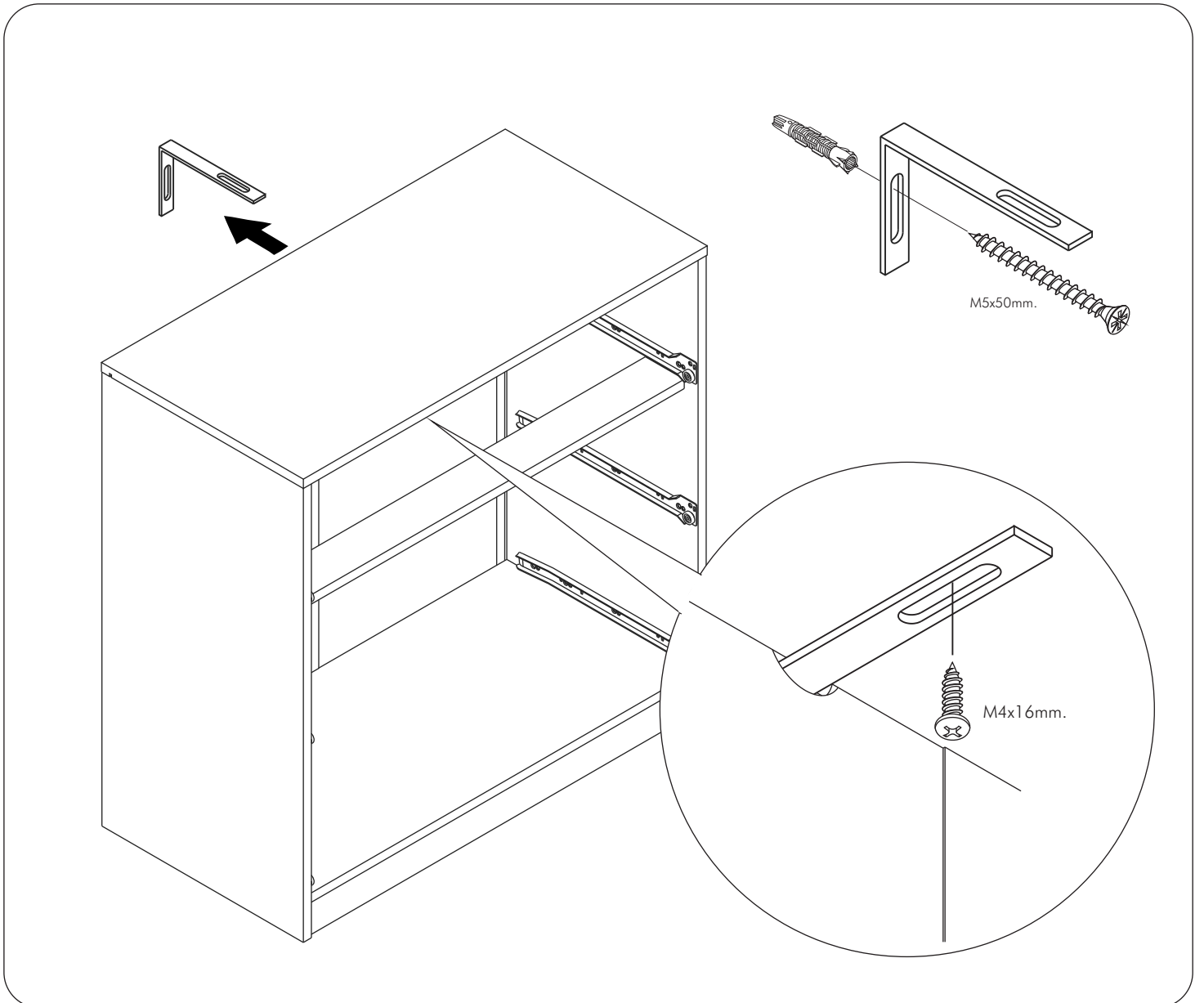
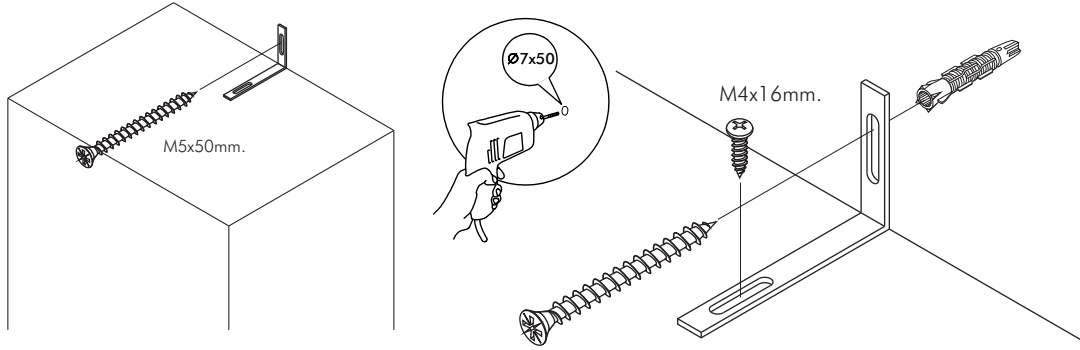
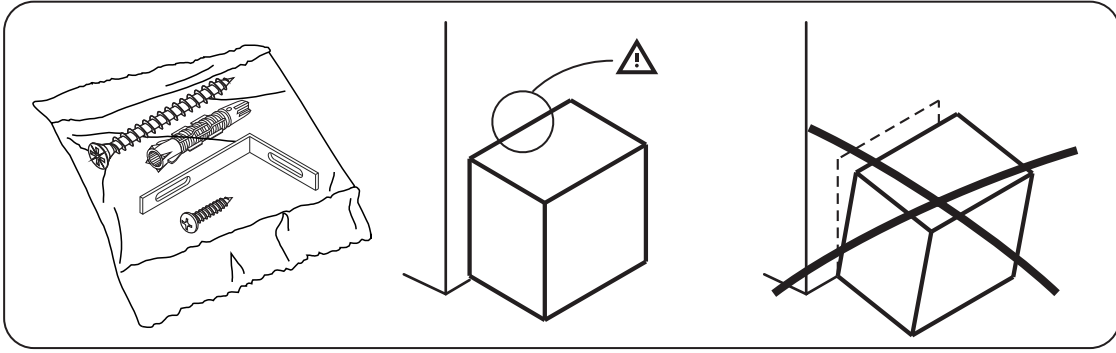
Wardrobe 3 drs



CONNECT SYSTEM

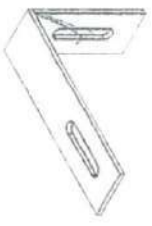


x2

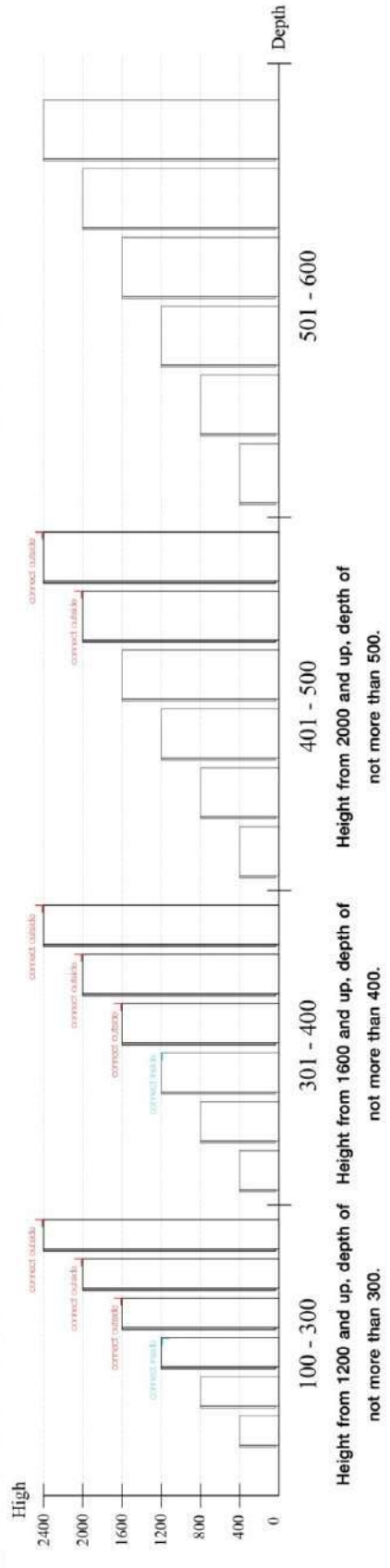


The Standard for identifying which mounted safety fall protection fitting to use **Note : That children's products must be installed with all anti-falling fittings.**

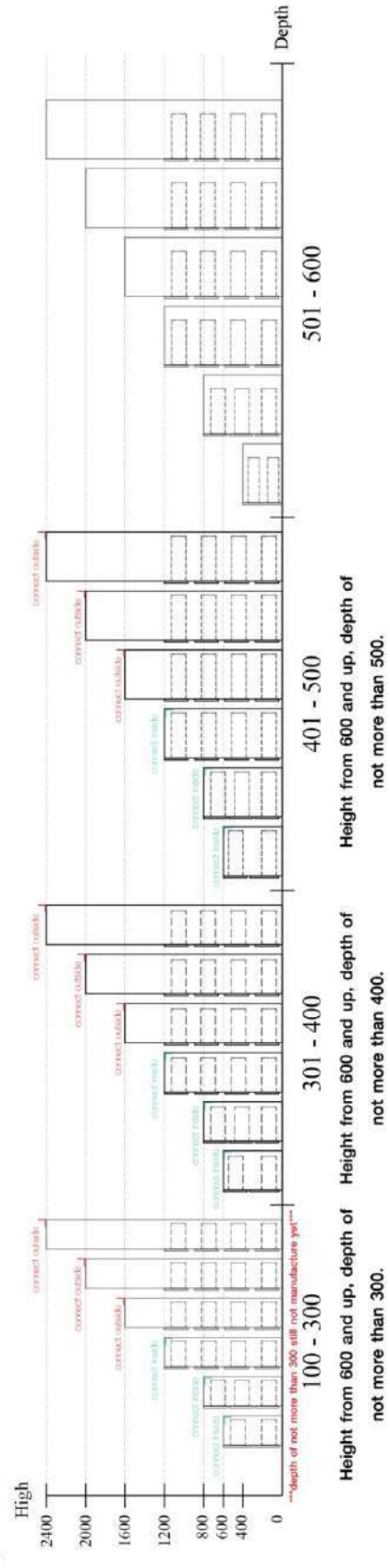
■ Mounted fall protection fittings



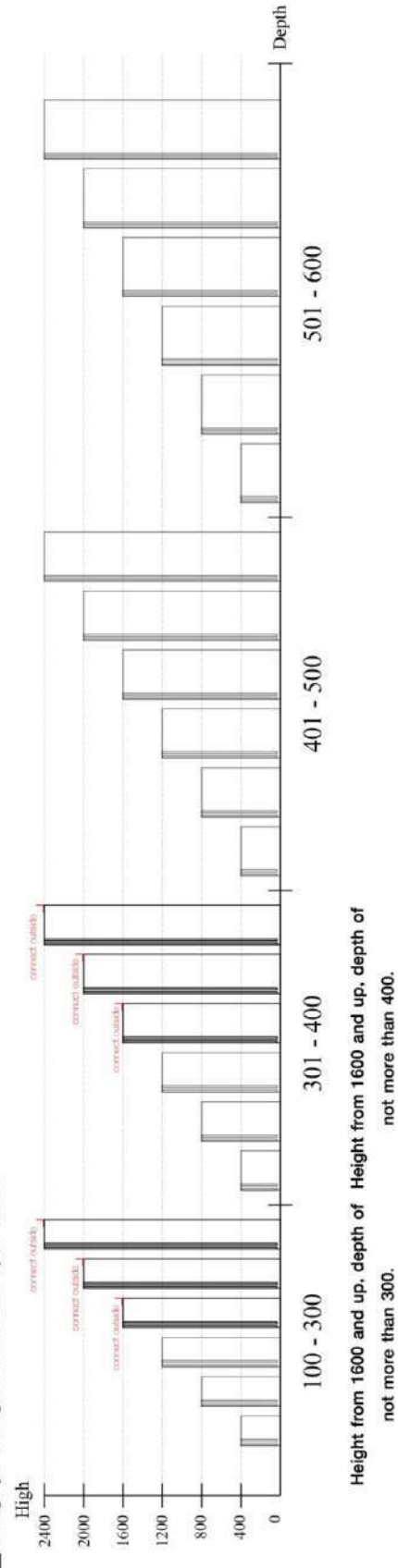
■ Category : Cabinet with open doors



■ Category : Chest of drawers



■ Category : Sliding door cabinet / Open cabinet



Height from 1600 and up, depth of not more than 300.
Height from 1600 and up, depth of not more than 400.

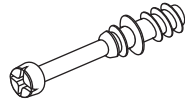
HARDWARE

-BODY SET

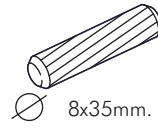


19 mm.

x 20

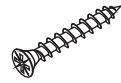


x 20



8x35mm.

x 37



M4x25mm.(F)(BLACK)

x 18



M4x45mm. (P)

x 7



M4x50 mm. (F)

x 2



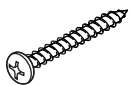
M4x40 mm. (F)

x 13



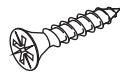
M4x25mm.(F)(WHITE)

x 15



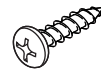
M4x25mm. (P)

x 8



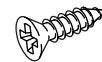
M4x16mm. (F)

x 140



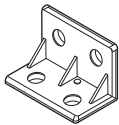
M4x16mm. (P)

x 33

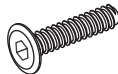


M3.5x13mm. (F)

x 18

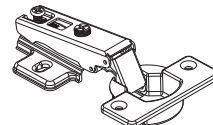


x 17

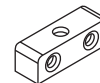


M6x23 mm.

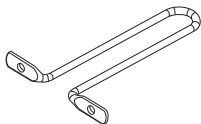
x 3



x 12



x 5



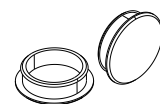
x 1



x 2



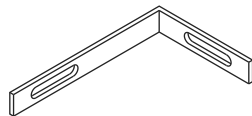
x 8



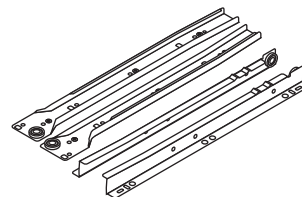
x 8



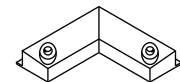
x 6



x 2



x 1 SET

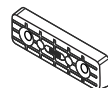


x 2

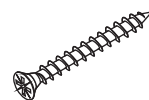


M3.5x20mm.

x 4

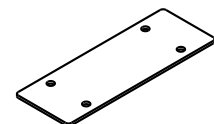


x 12

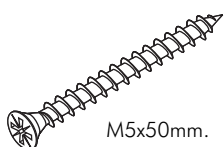


M4x35 mm. (F)

x 3



NO.34 x 2



M5x50mm.

x 2

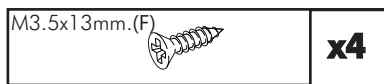
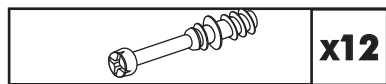
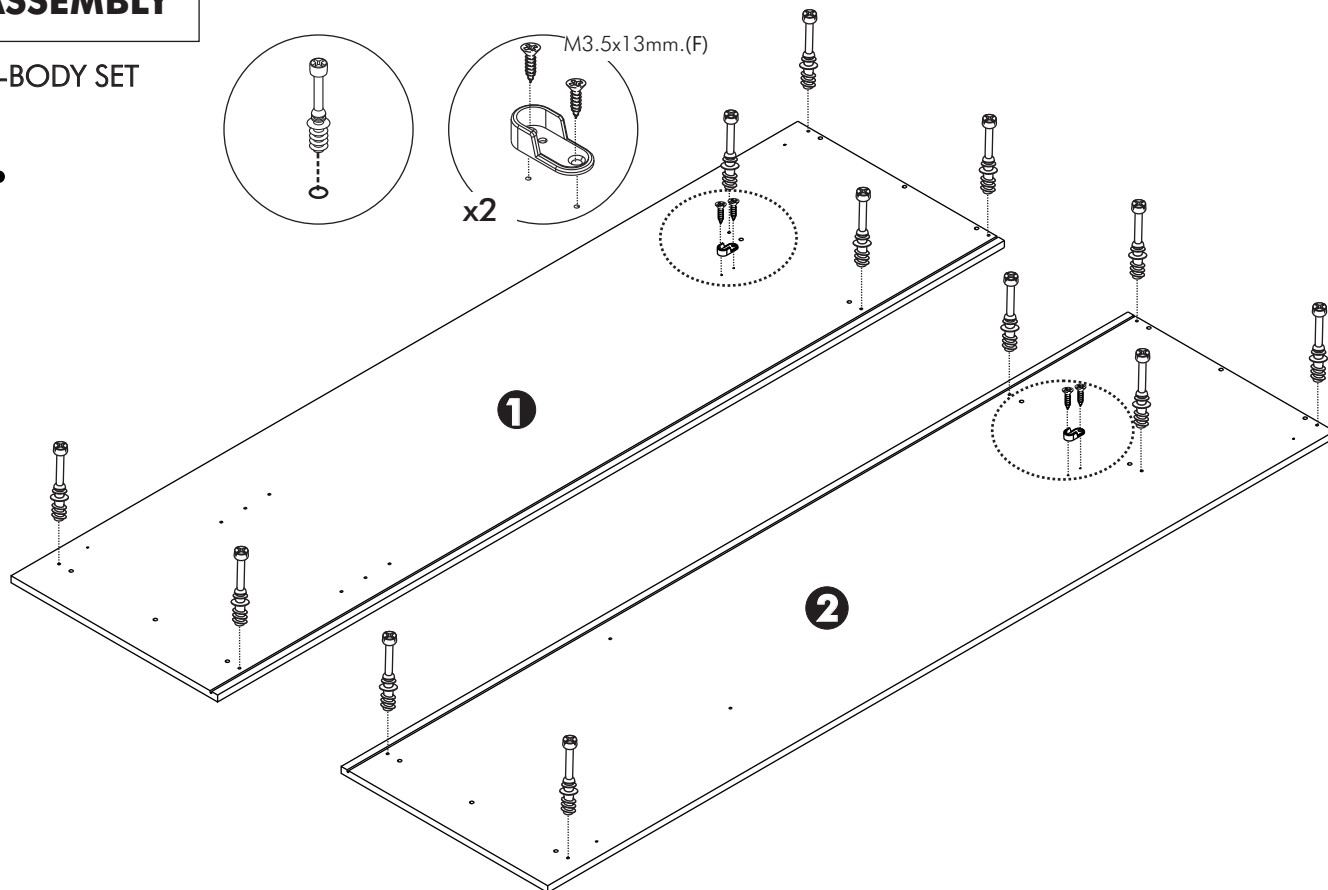


x 2

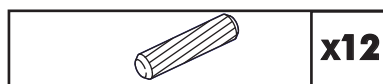
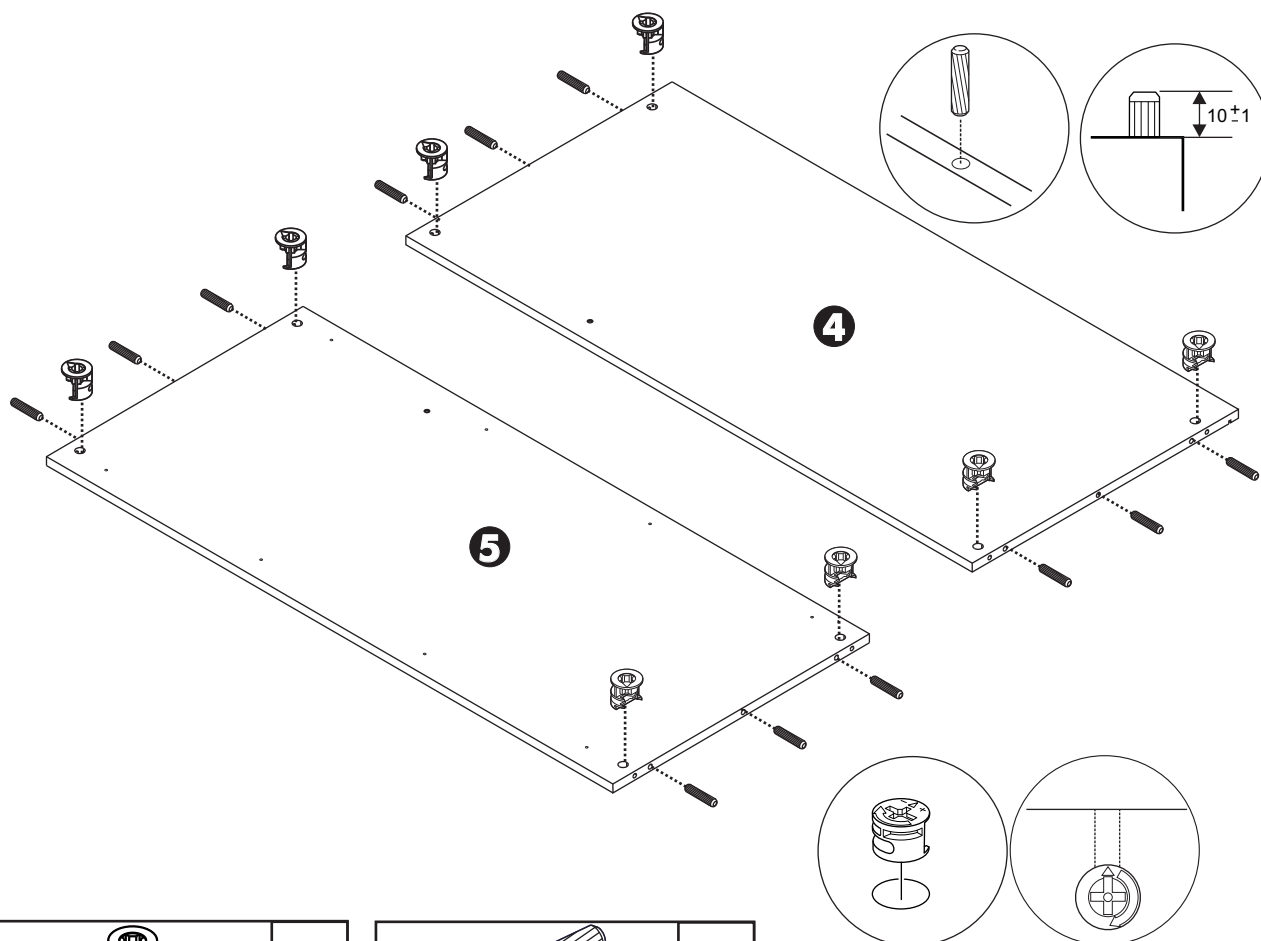
ASSEMBLY

-BODY SET

1.

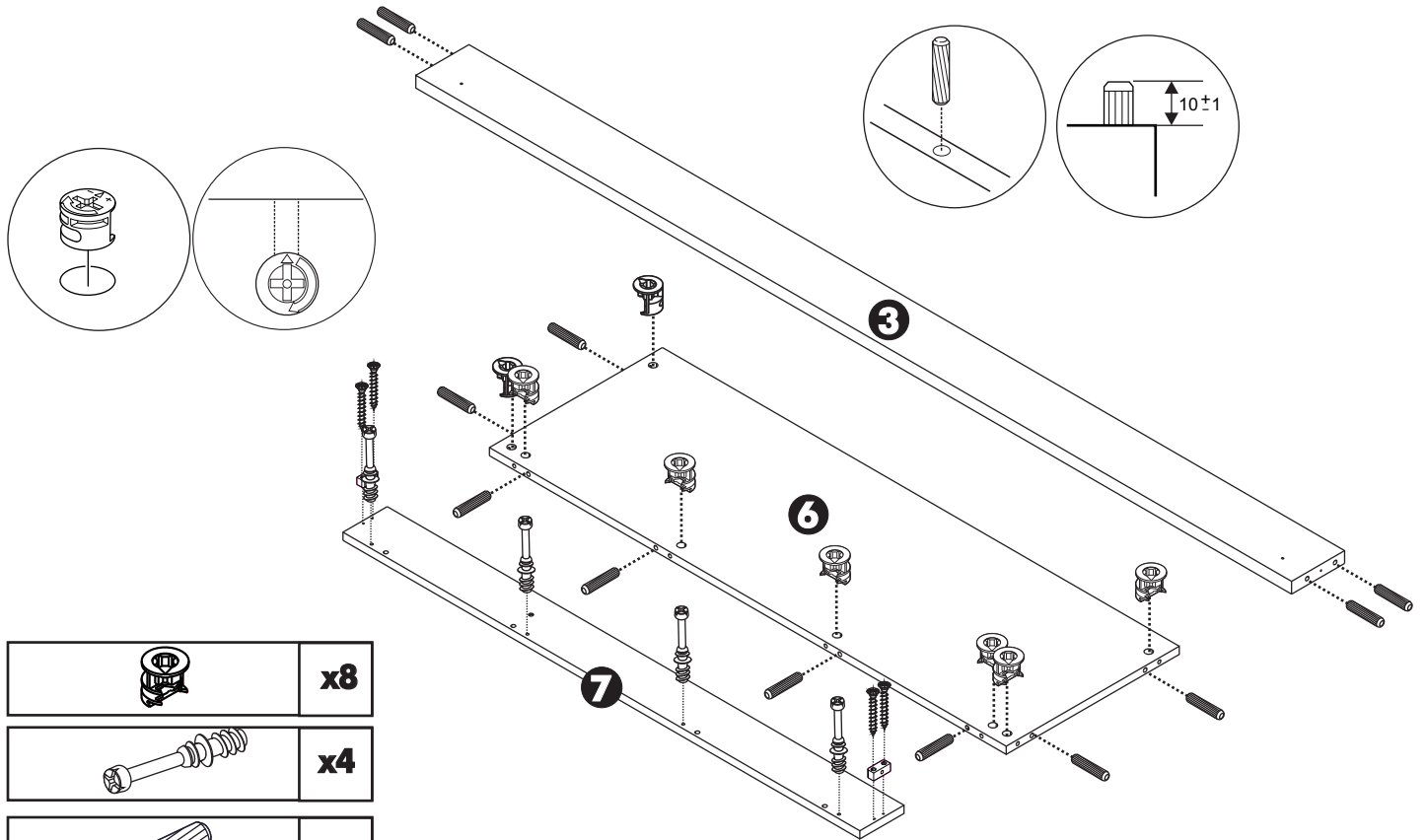


2.



6

3.



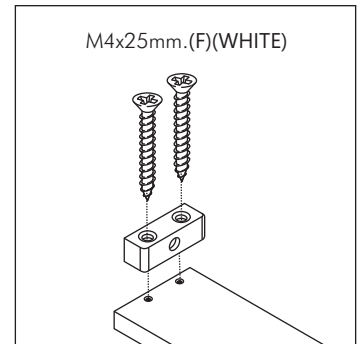
	x8
--	-----------

	x4
--	-----------

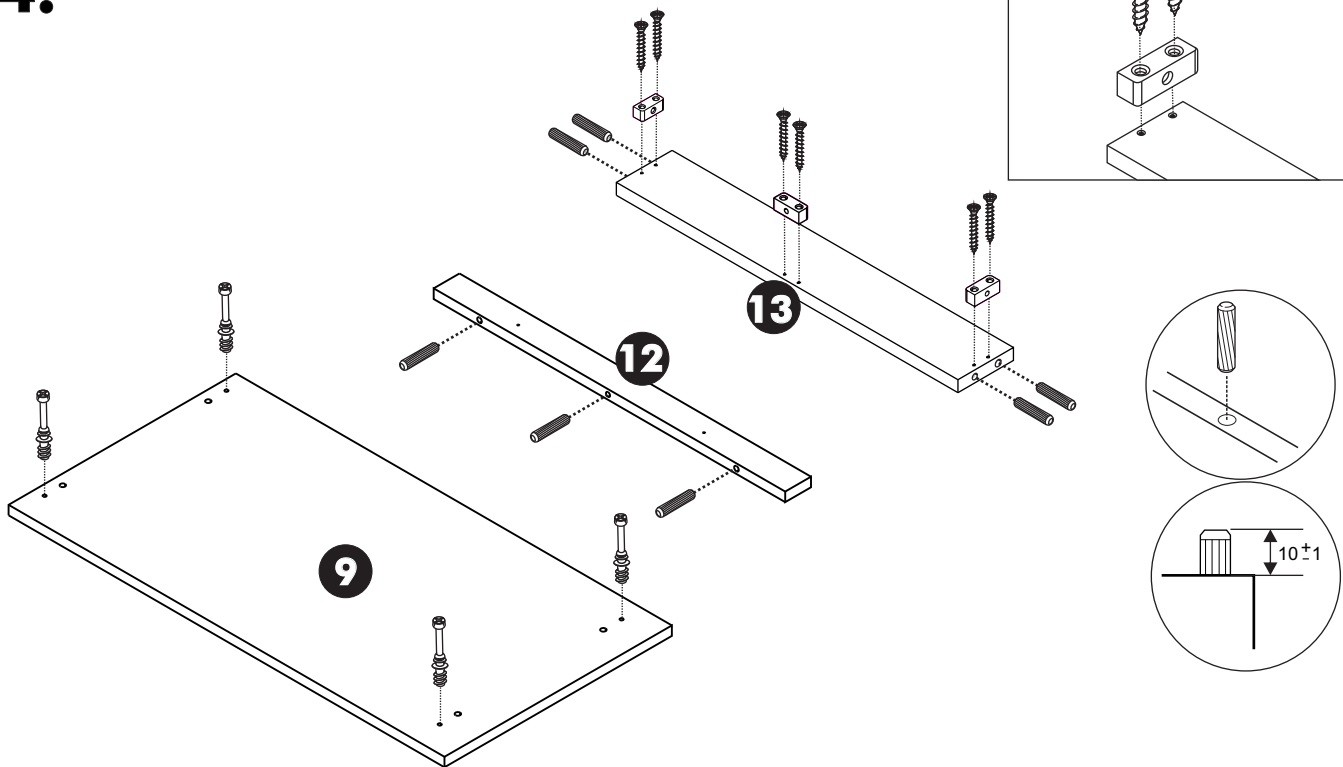
	x12
--	------------

M4x25mm.(F)(WHITE) # 0747	x4
------------------------------	-----------

	x2
--	-----------



4.



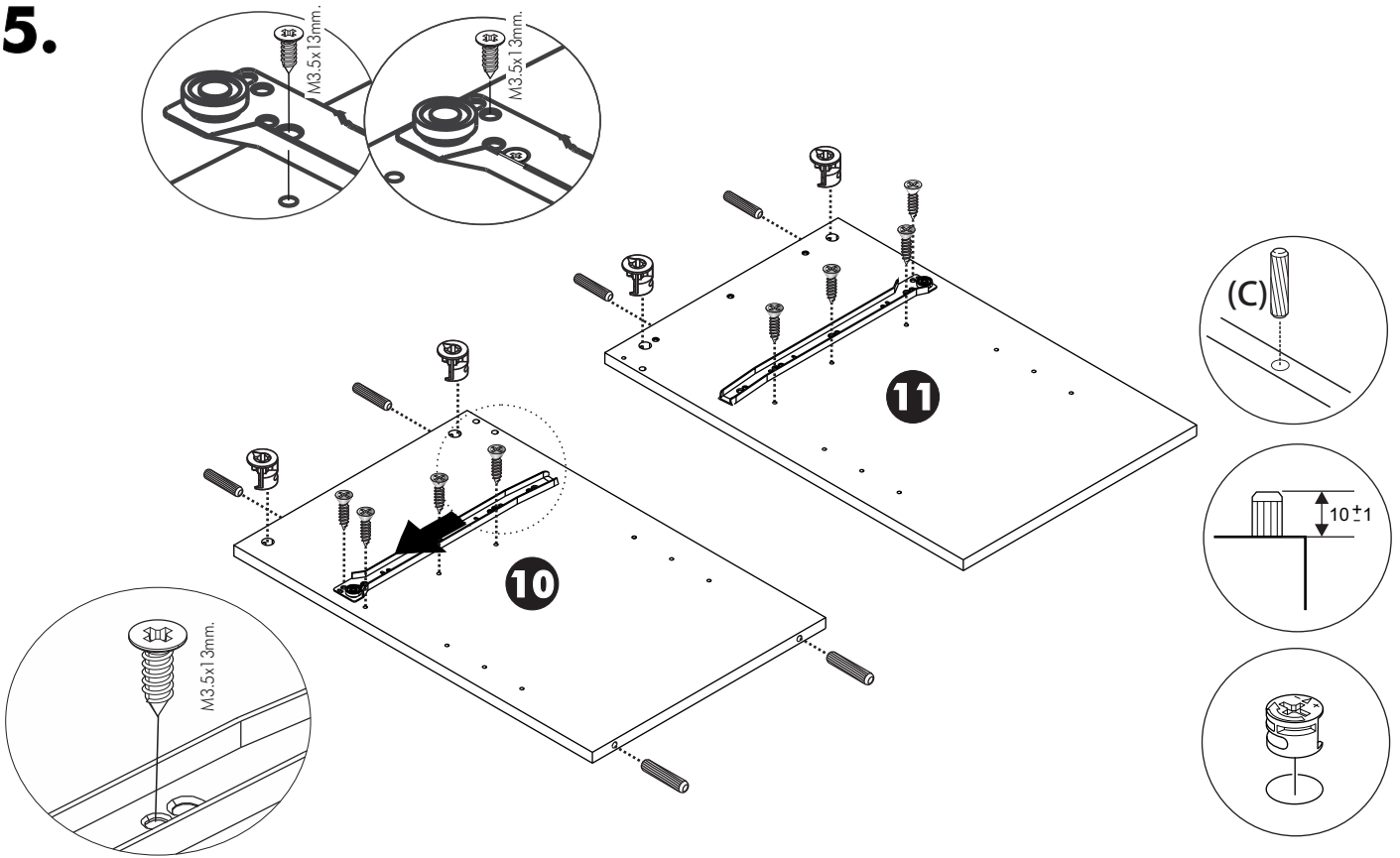
	x4
--	-----------

	x7
--	-----------

M4x25mm.(F)(WHITE) # 0747	x6
------------------------------	-----------

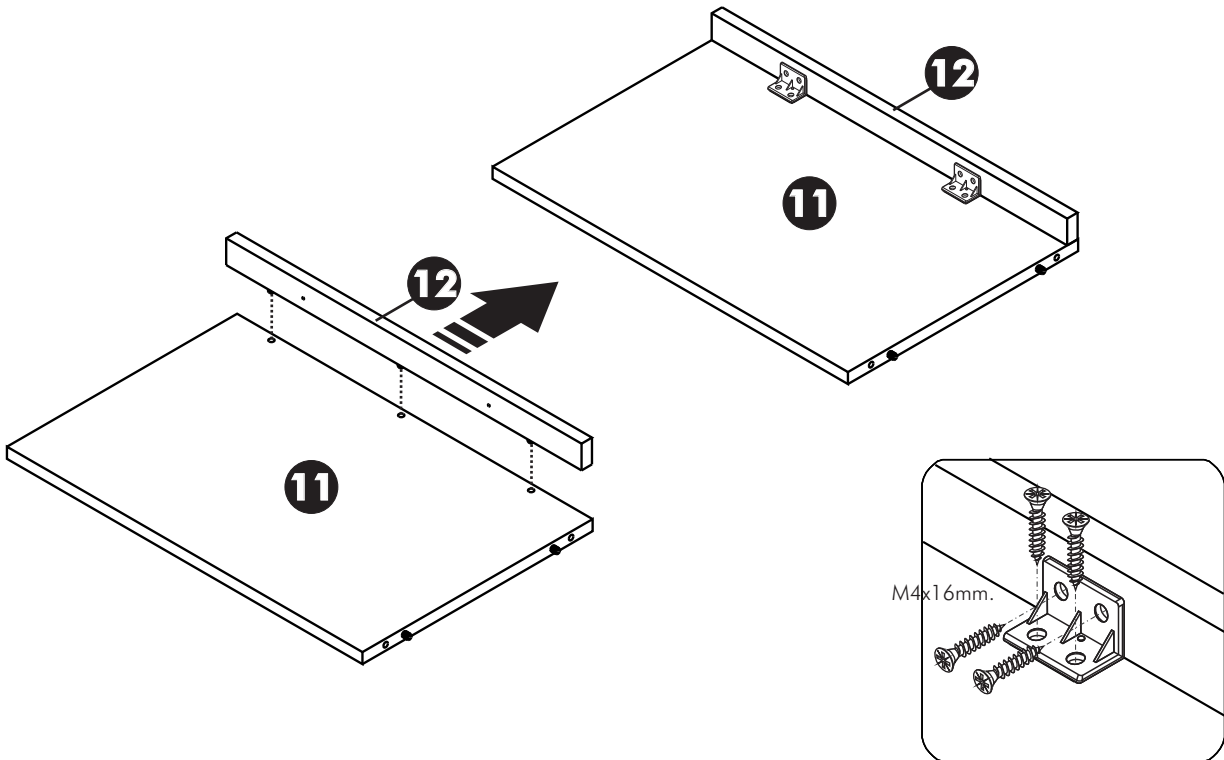
	x3
--	-----------

5.



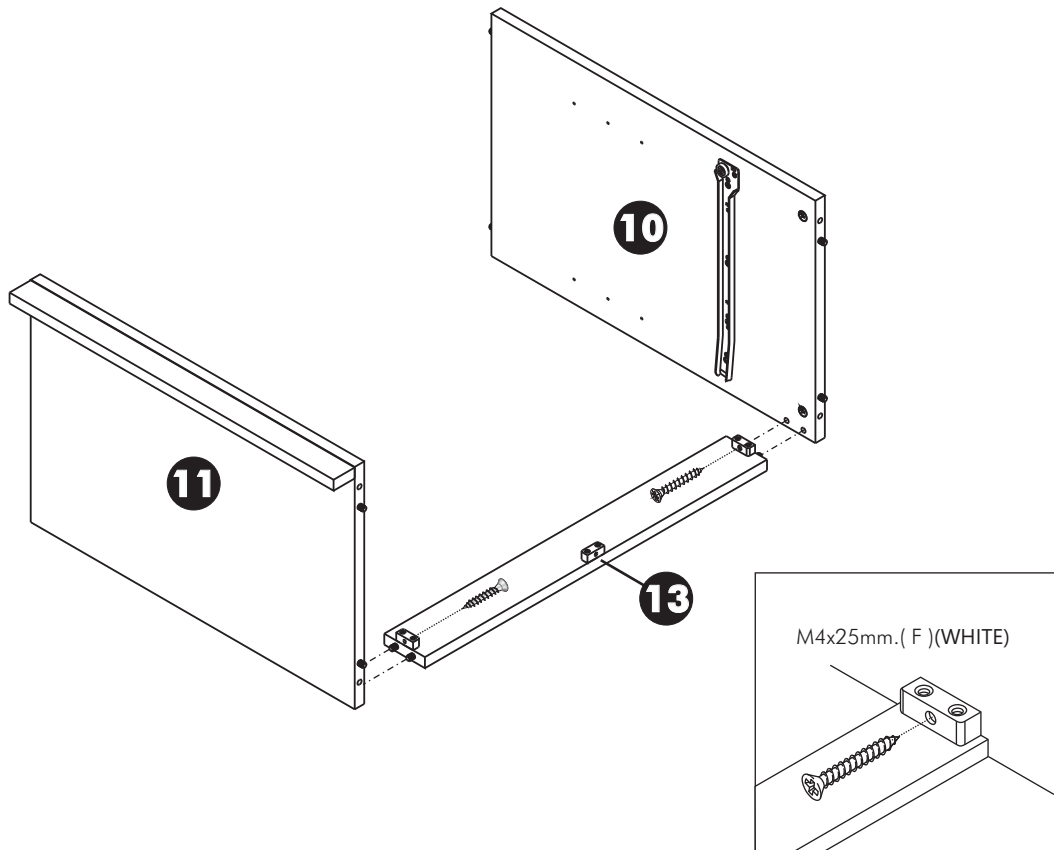
	x4		x1SET
	x6	M3.5x13mm.(F) 	x8

6.



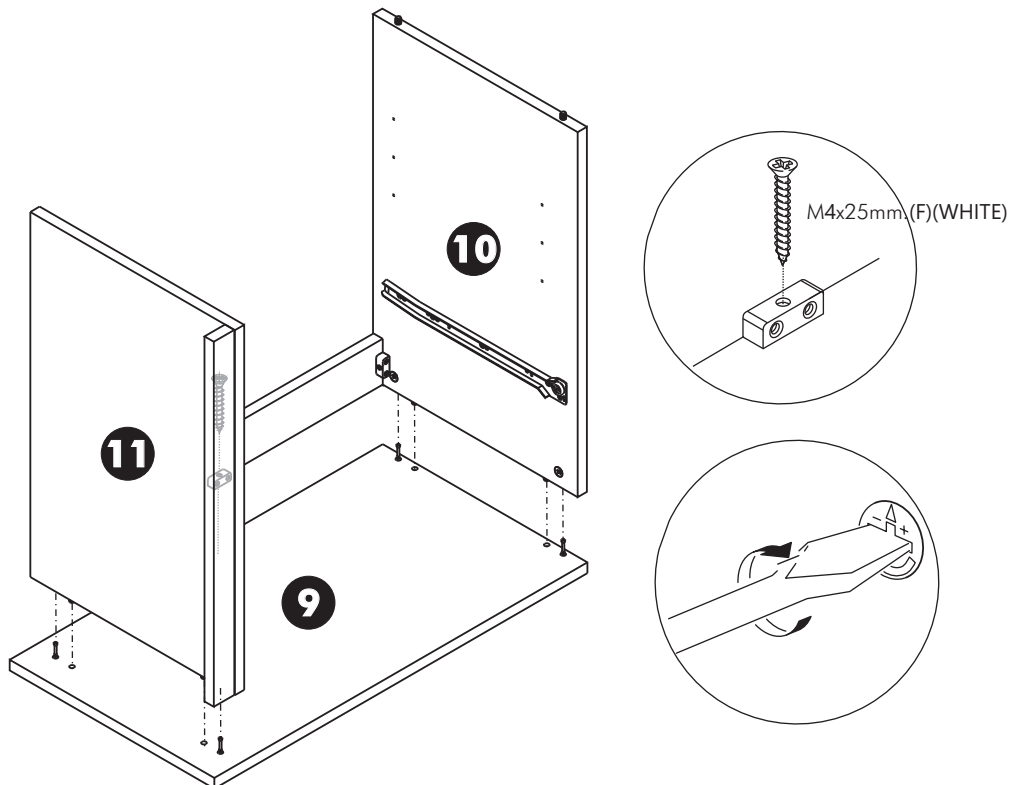
	x2	M4x16mm. (F) 	x8
---	-----------	--	-----------

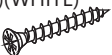
7.



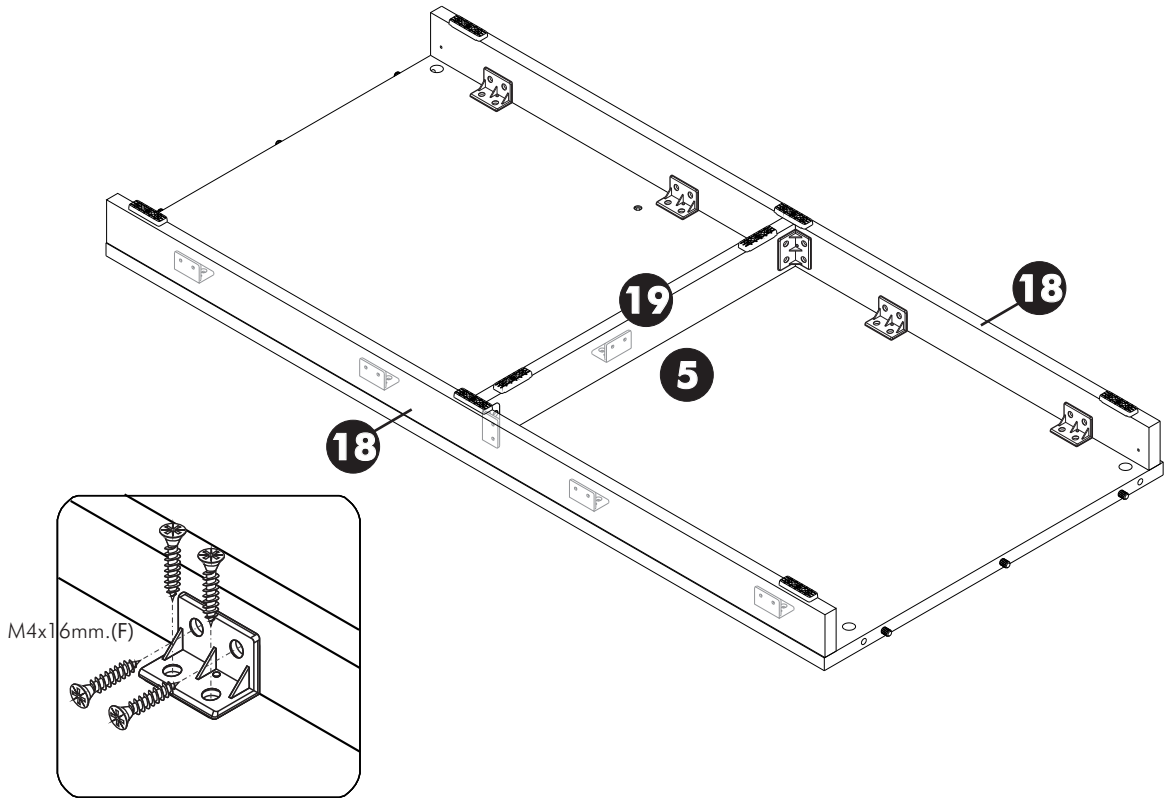
M4x25mm.(F)(WHITE) # 0747 	x2		x3
--	-----------	---	-----------

8.



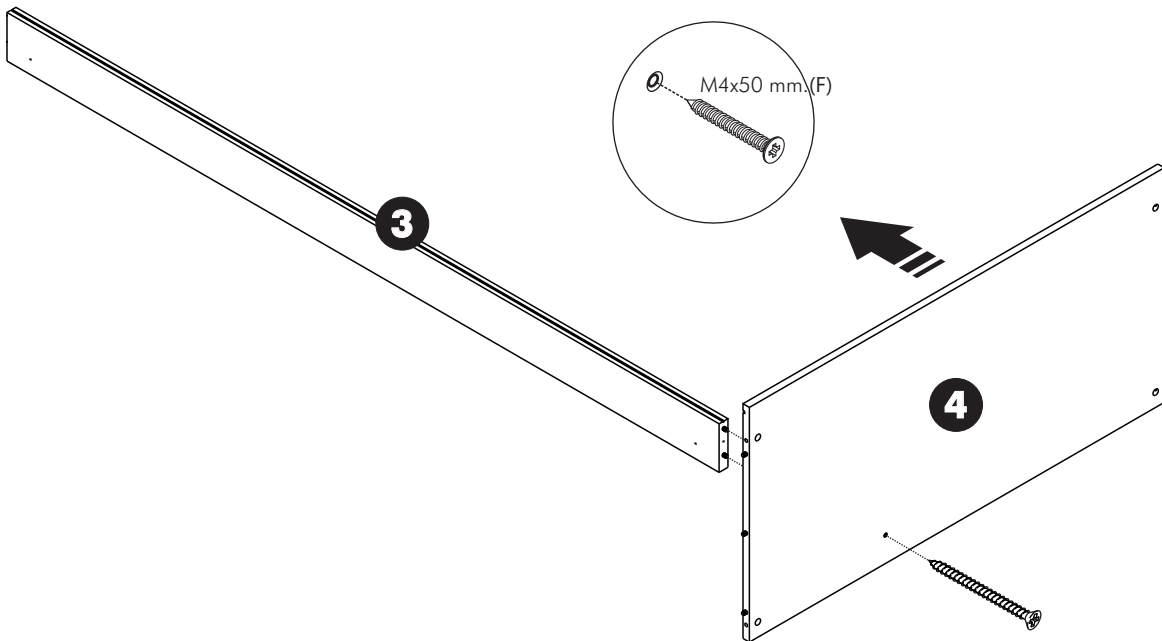
M4x25mm.(F)(WHITE) # 0747 	x1
--	-----------

9.



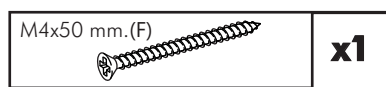
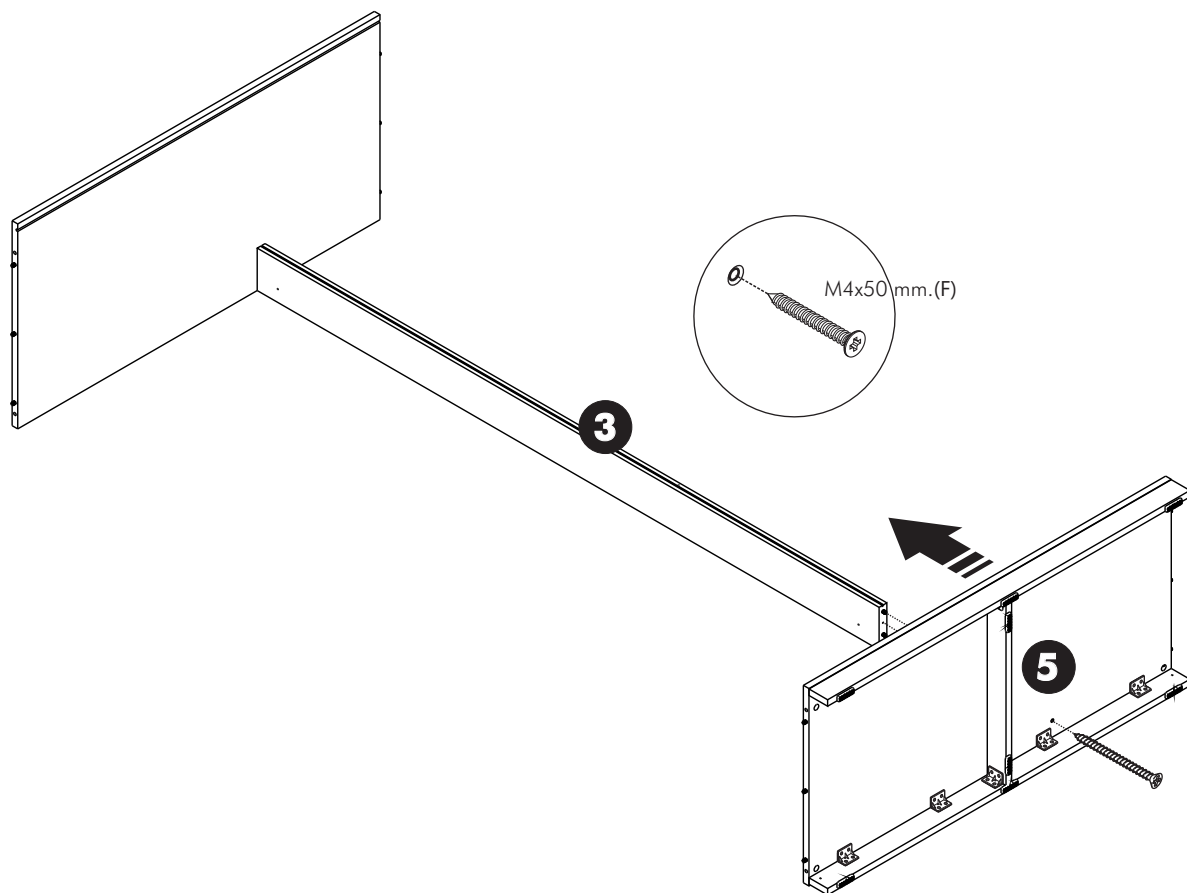
	x11	M4x16mm. (F)		x44
--	------------	----------------	--	------------

10.

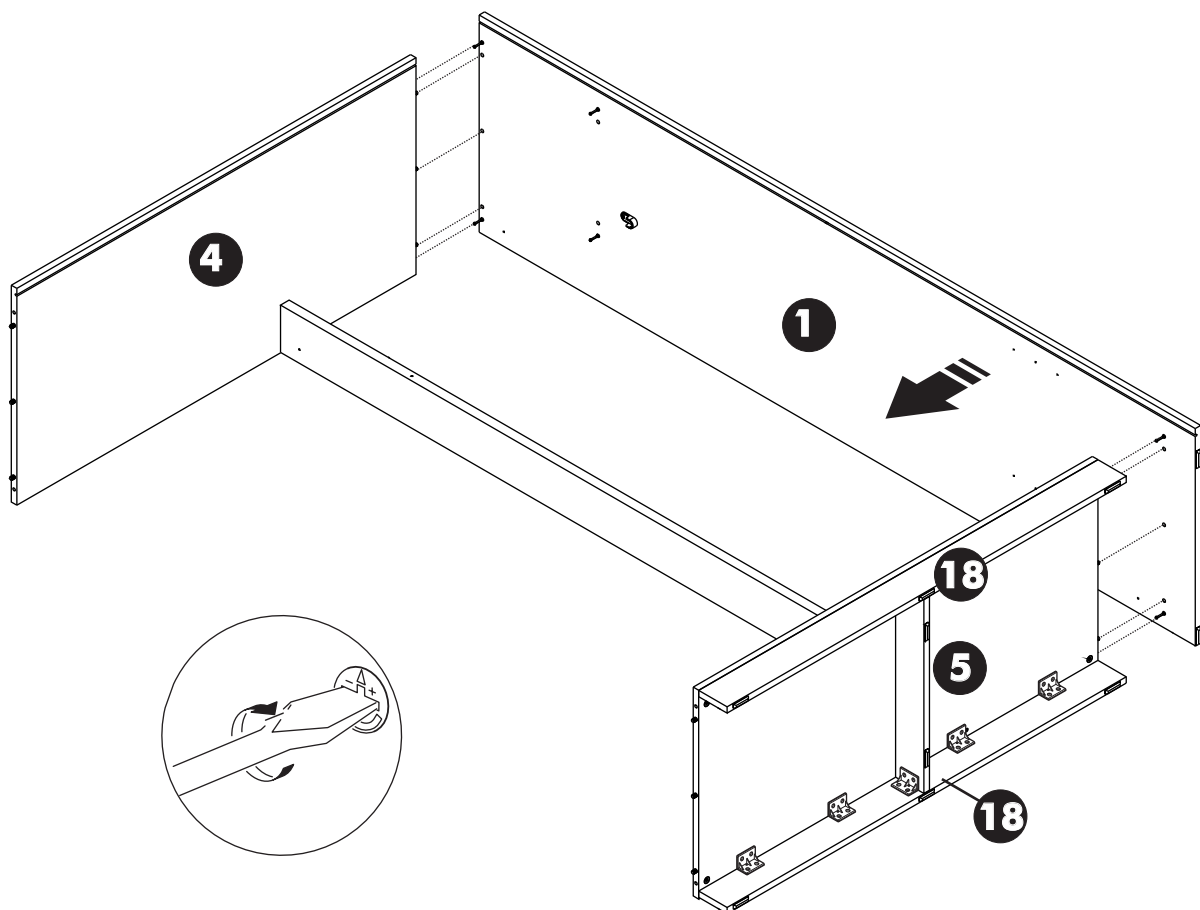


M4x50 mm.(F)		x1
--------------	--	-----------

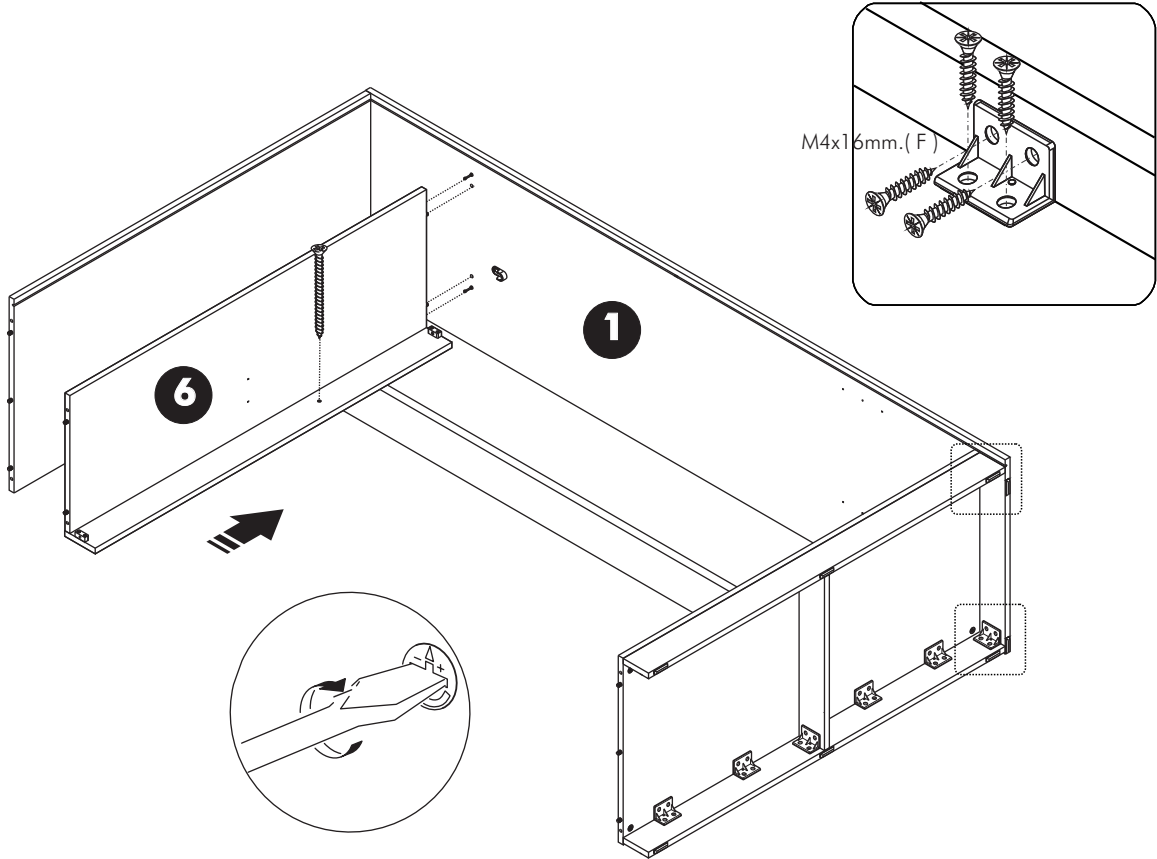
11.



12.



13.

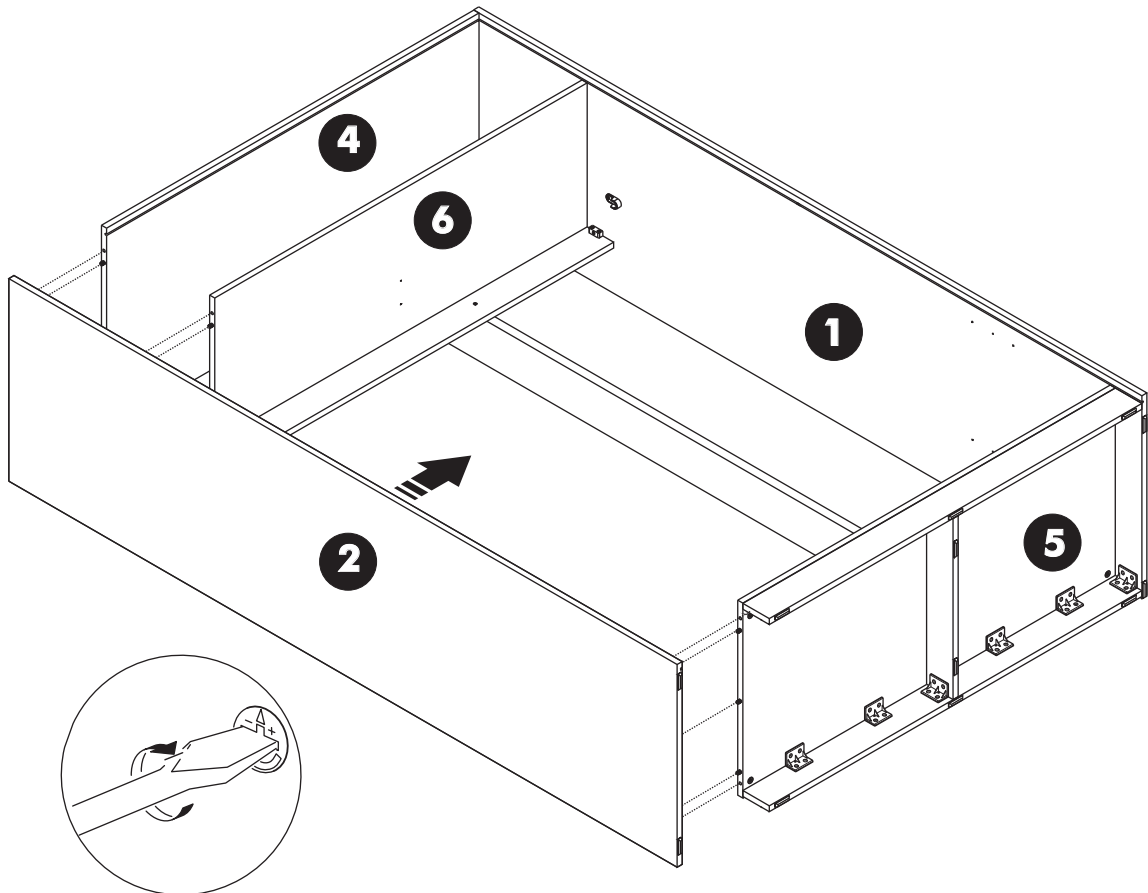


M4x40 mm. (F) **x1**

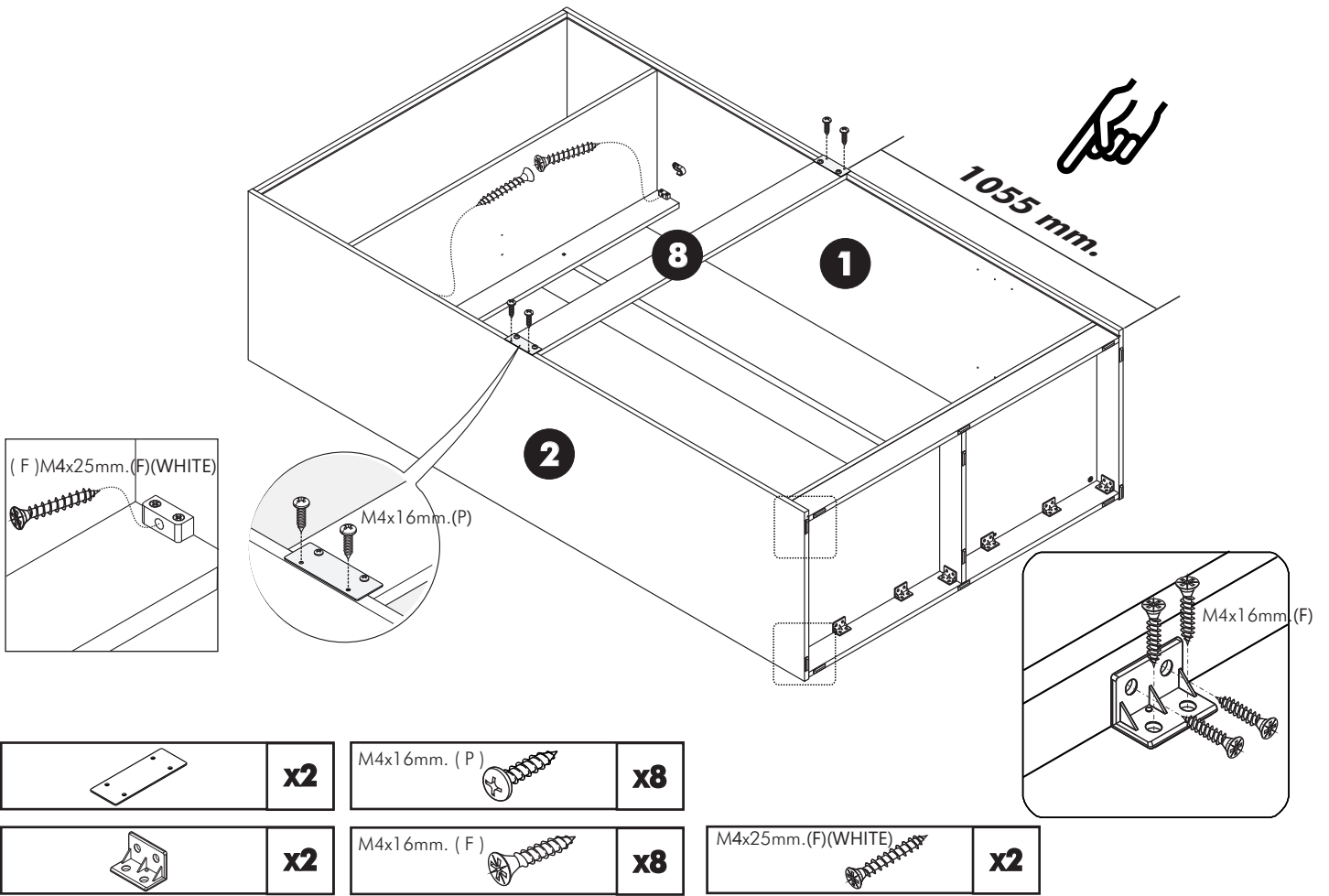
x2

M4x16mm. (F) **x8**

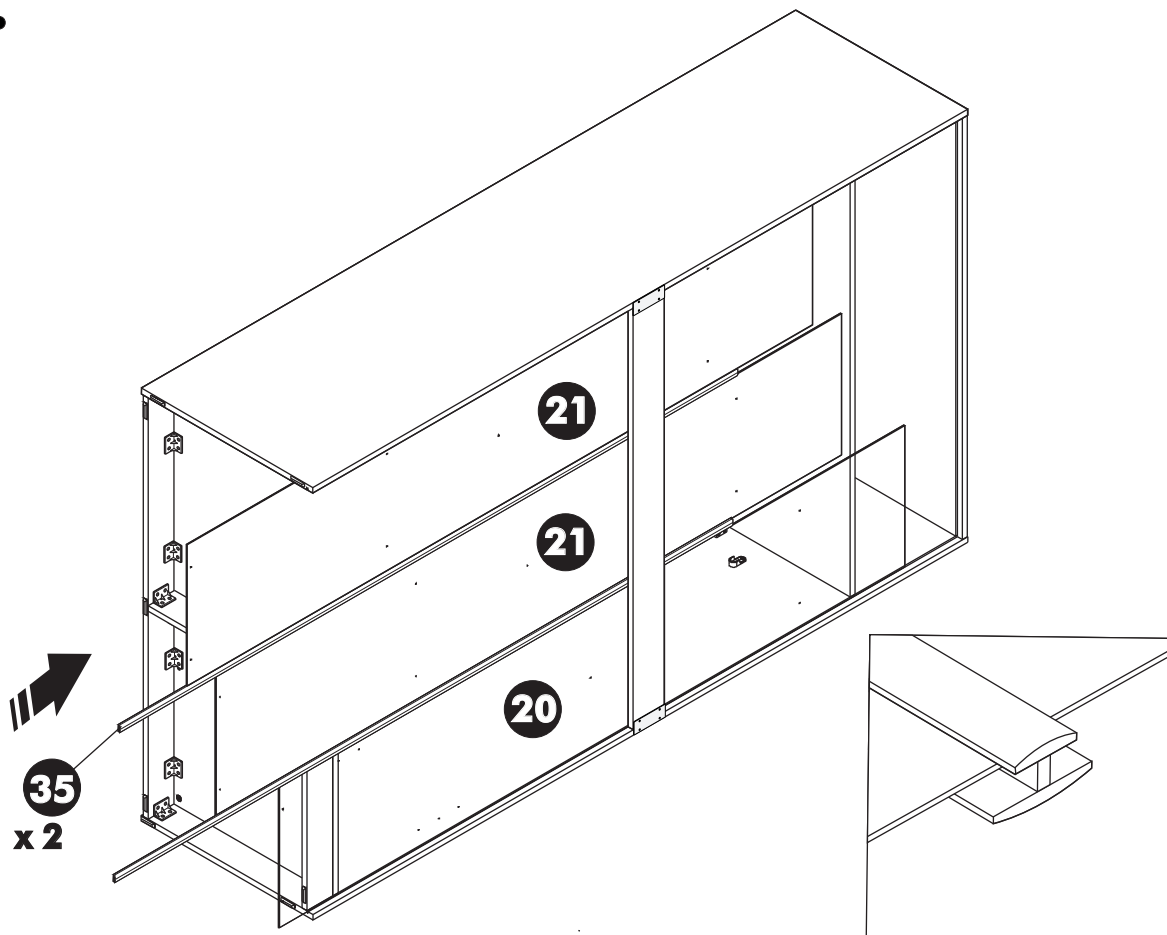
14.



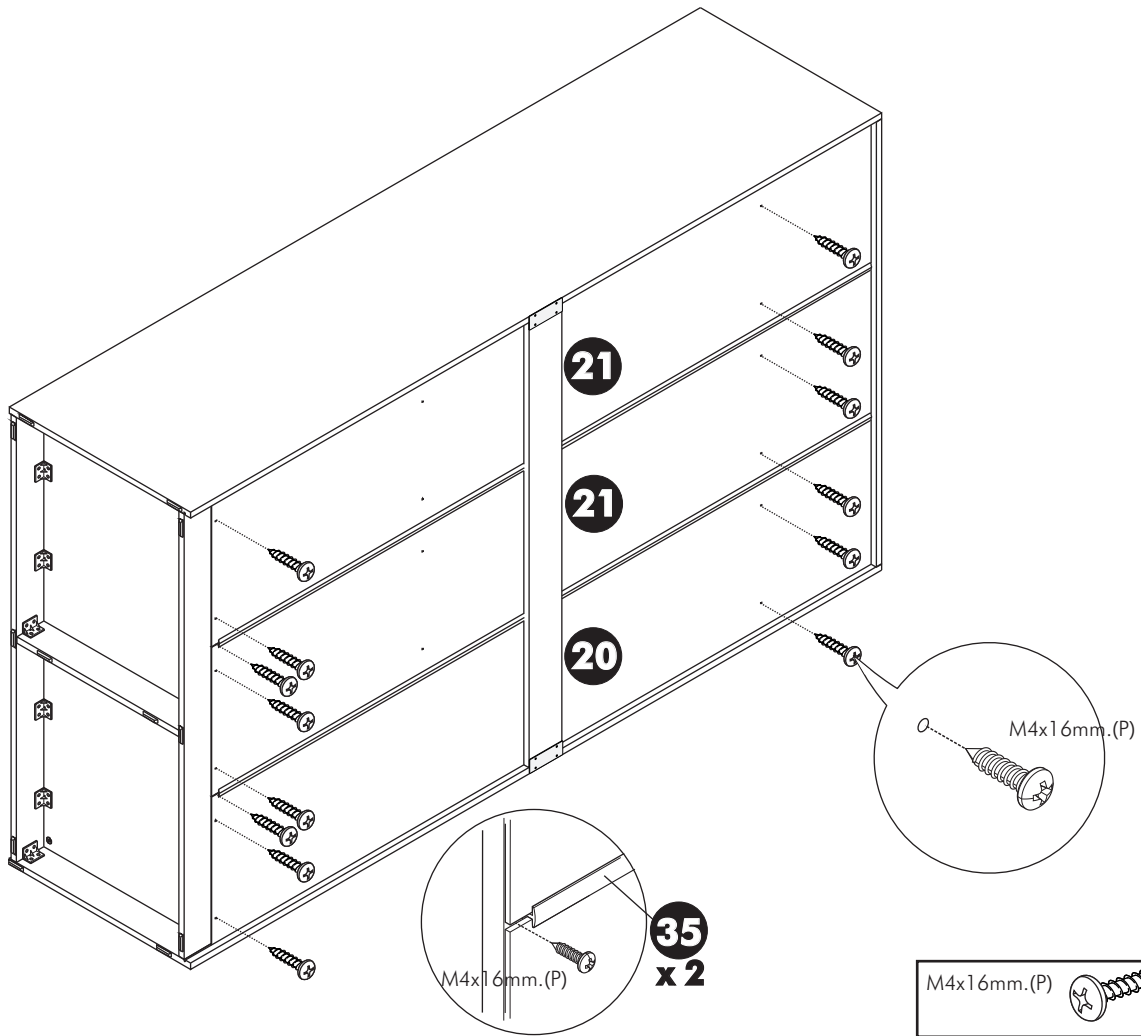
15.



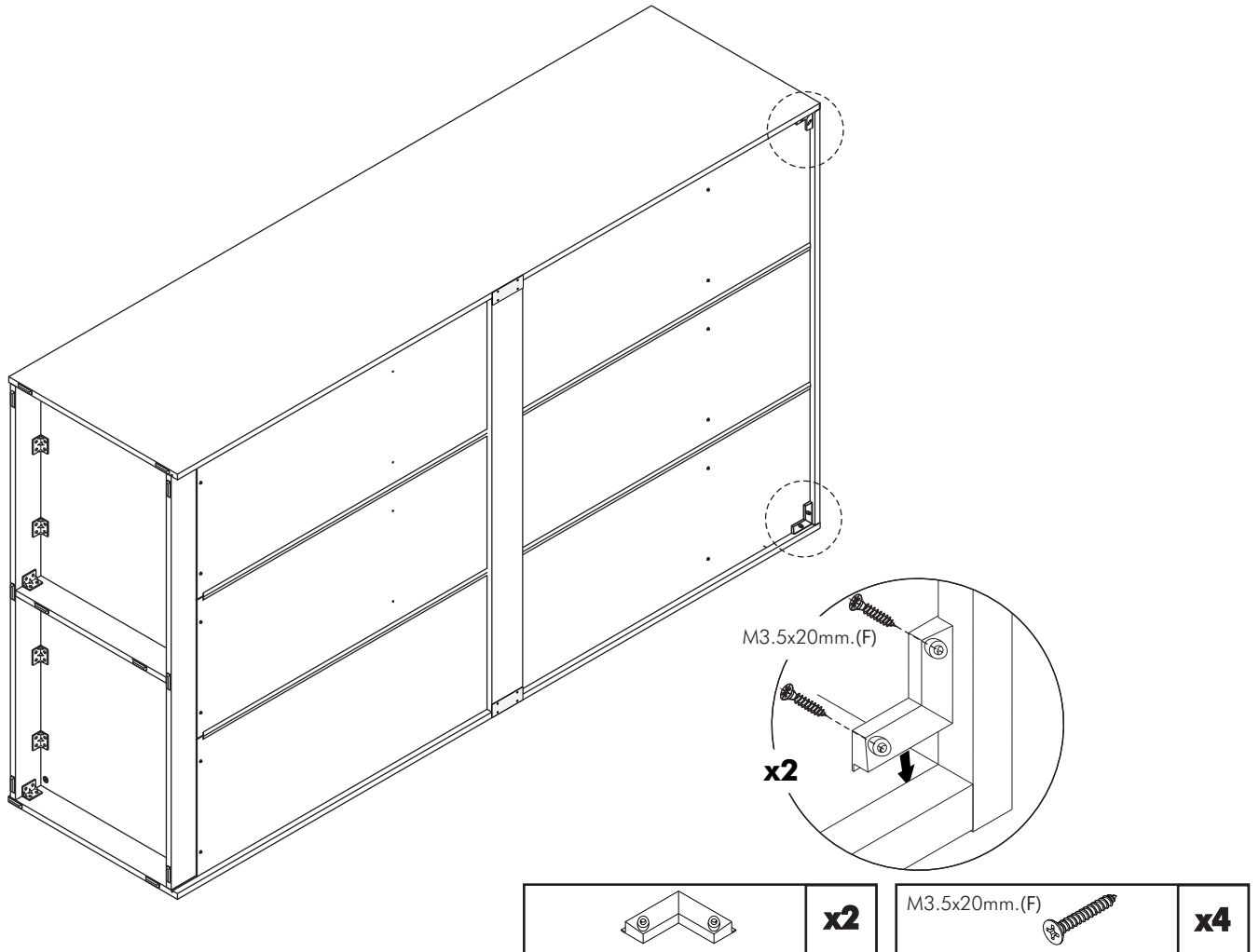
16.



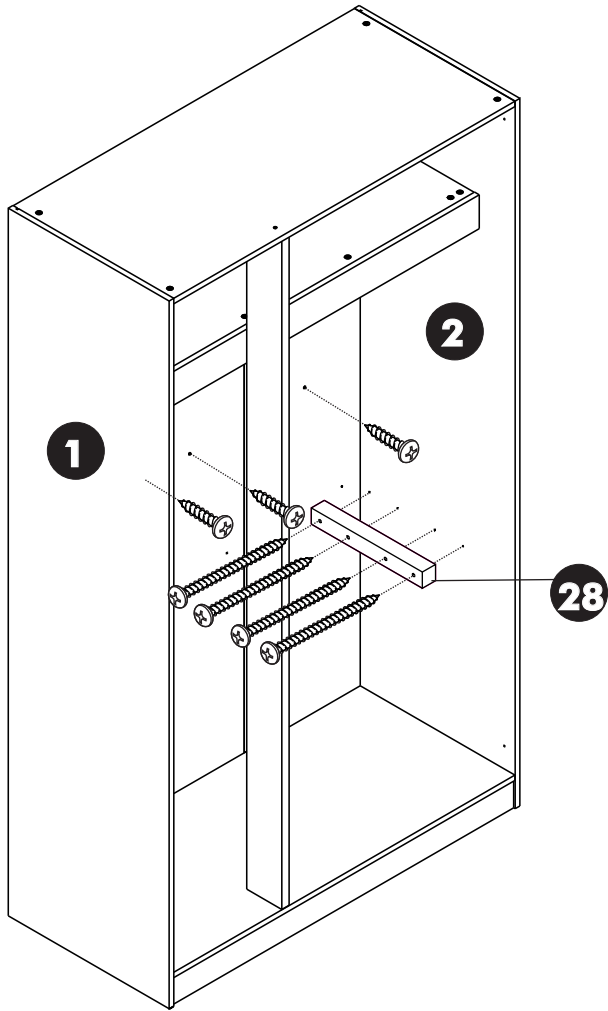
17.

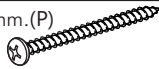


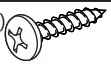
18.



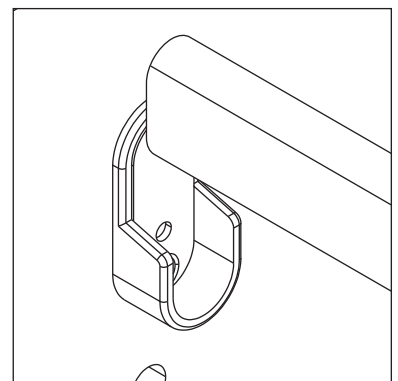
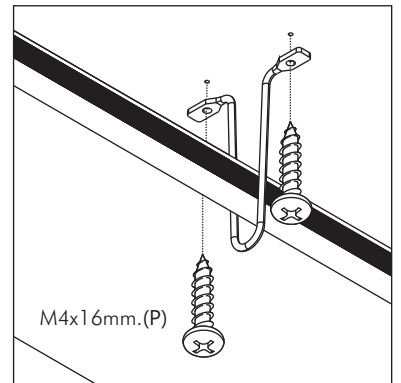
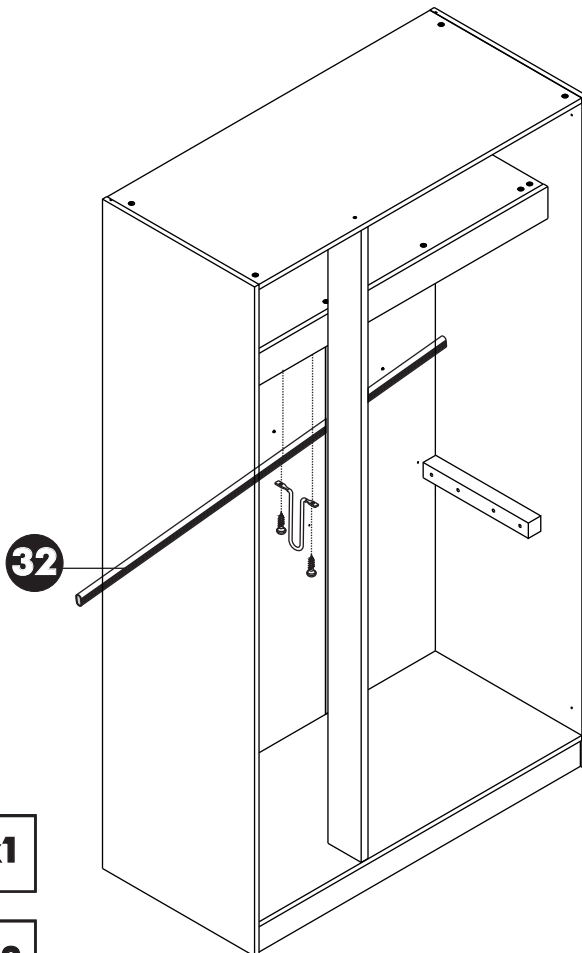
19.



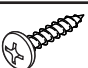
M4x45mm.(P)		x4
-------------	---	-----------

M4x16mm.(P)		x3
-------------	---	-----------

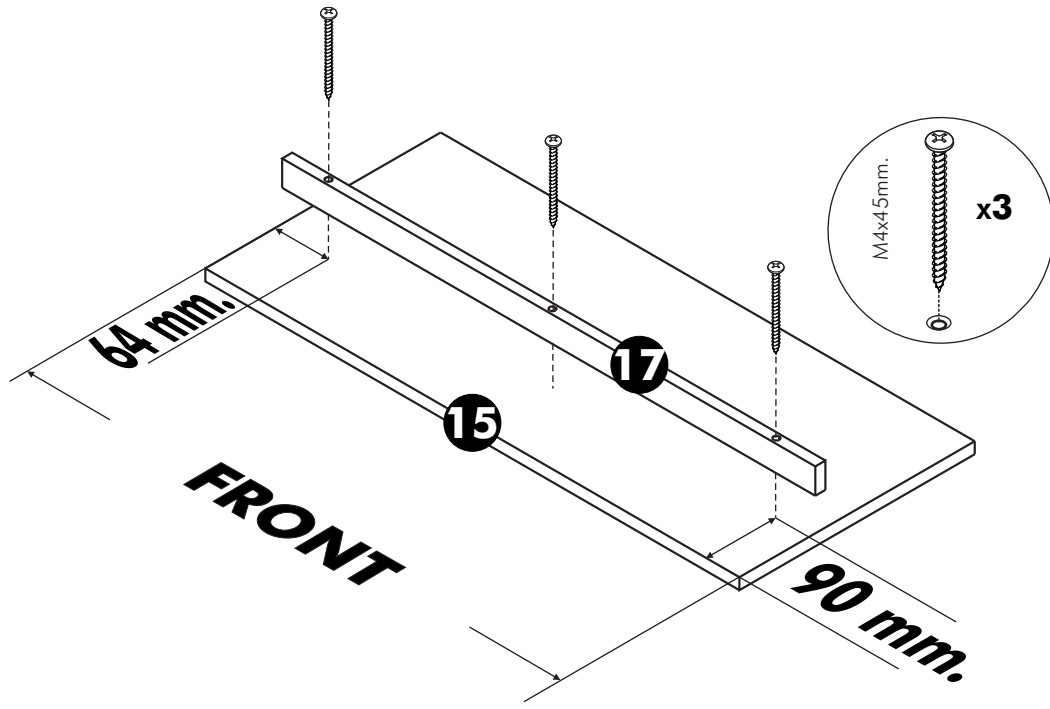
20.




	x1
---	-----------

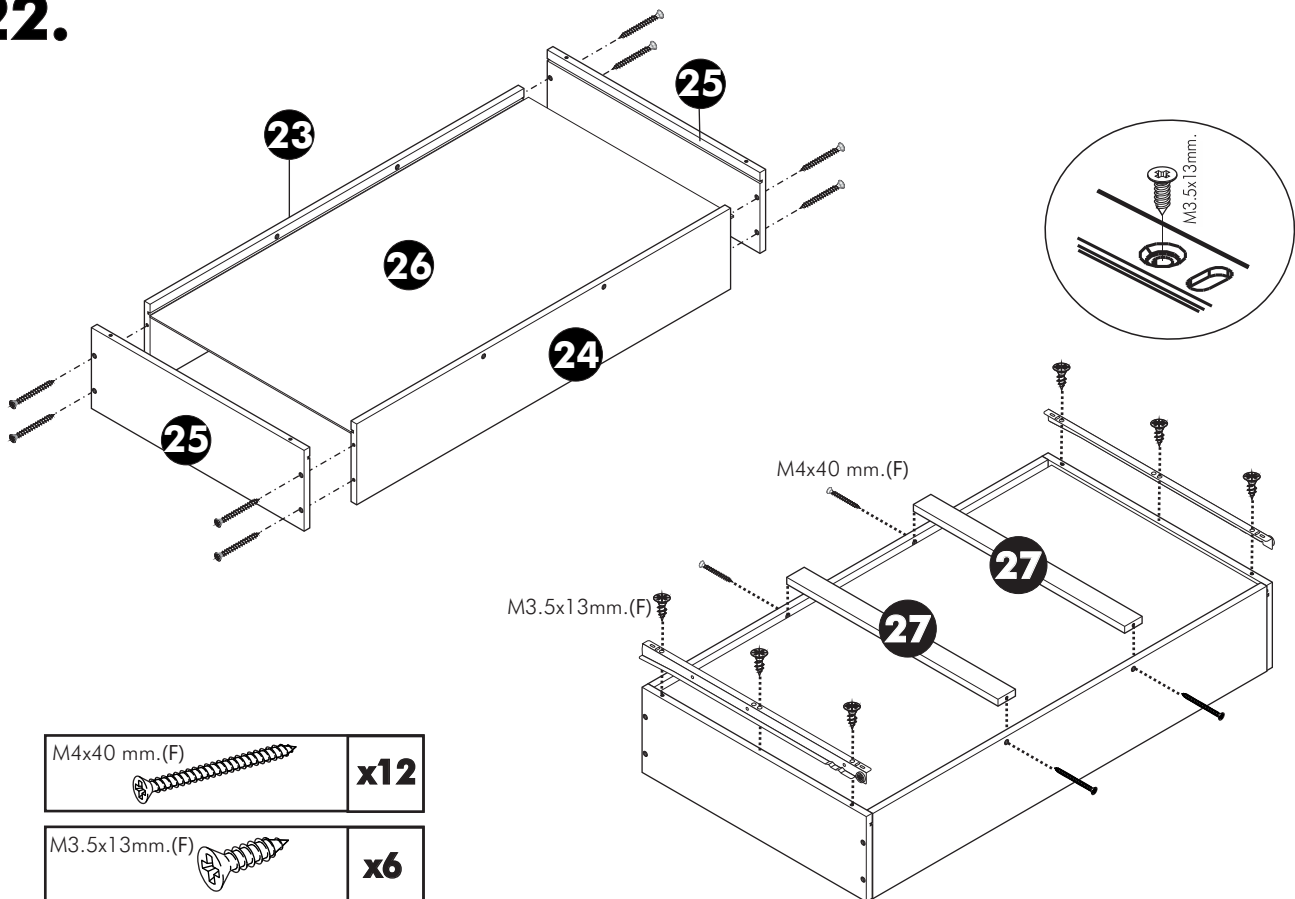
M4x16mm.(P)		x2
-------------	---	-----------

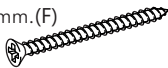
21.

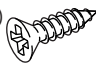



M4x45mm. (P)		x3
--------------	---	-----------

22.

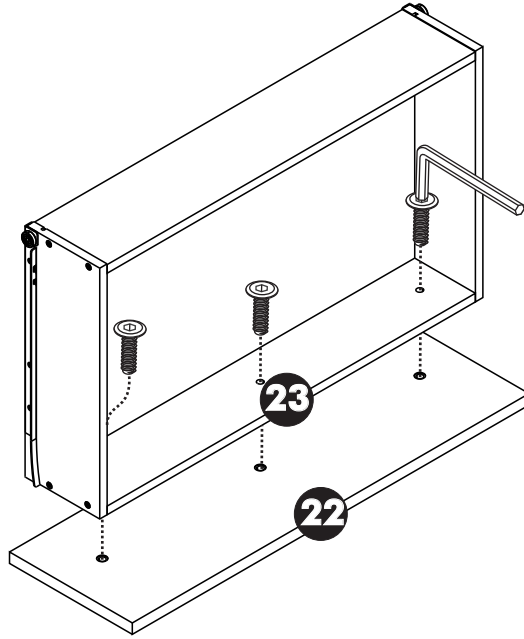


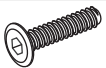
M4x40 mm.(F)		x12
--------------	---	------------


M3.5x13mm.(F)		x6
---------------	---	-----------

	x1SET
---	--------------

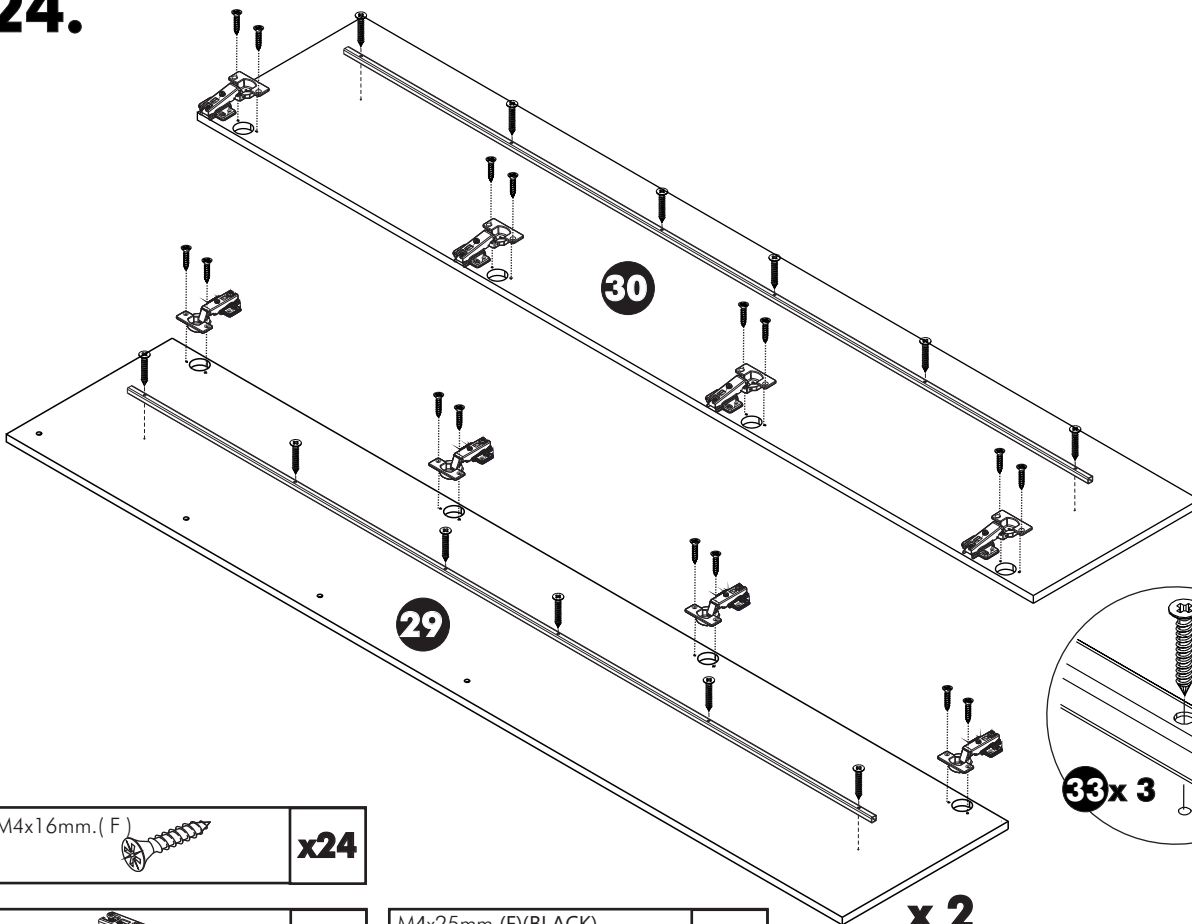
23.




M6x23 mm.		x3
-----------	---	-----------


	x1
---	-----------

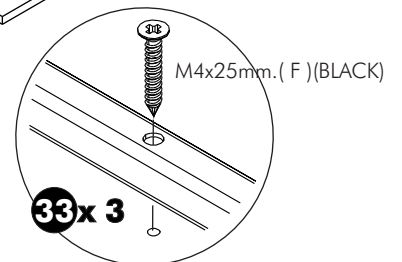
24.



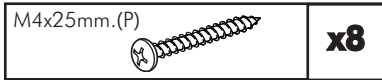
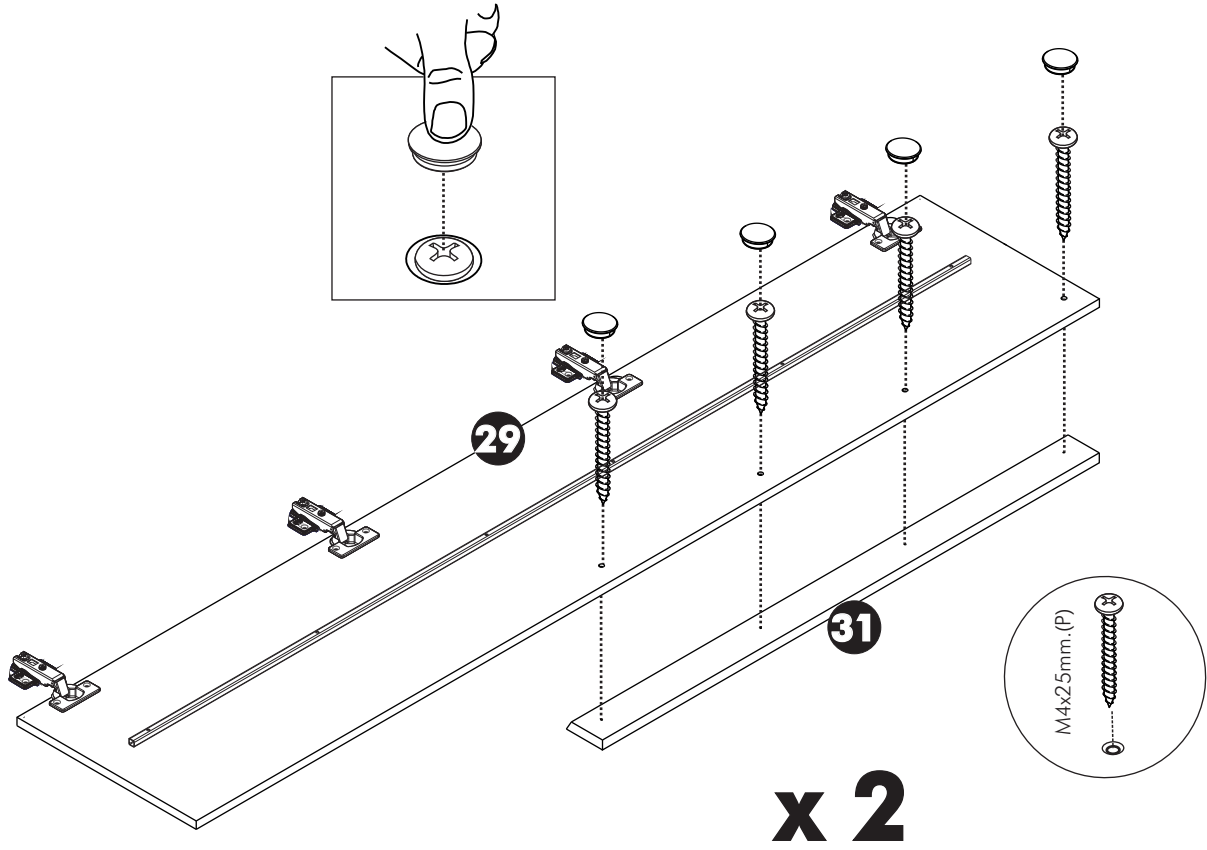
M4x16mm.(F)		x24
-------------	---	------------

	x12
---	------------

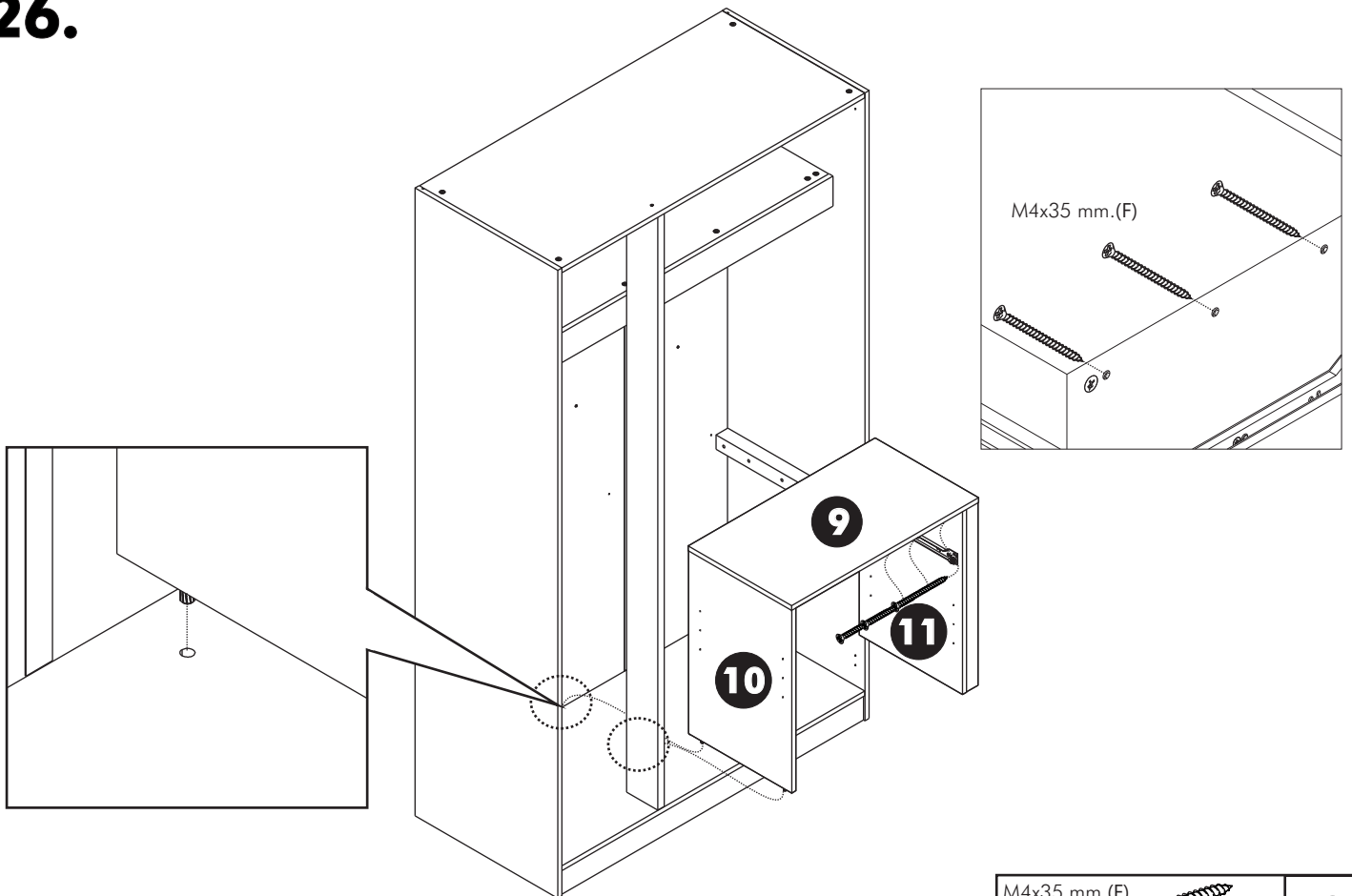
M4x25mm (F)(BLACK) # 0950		x18
------------------------------	---	------------



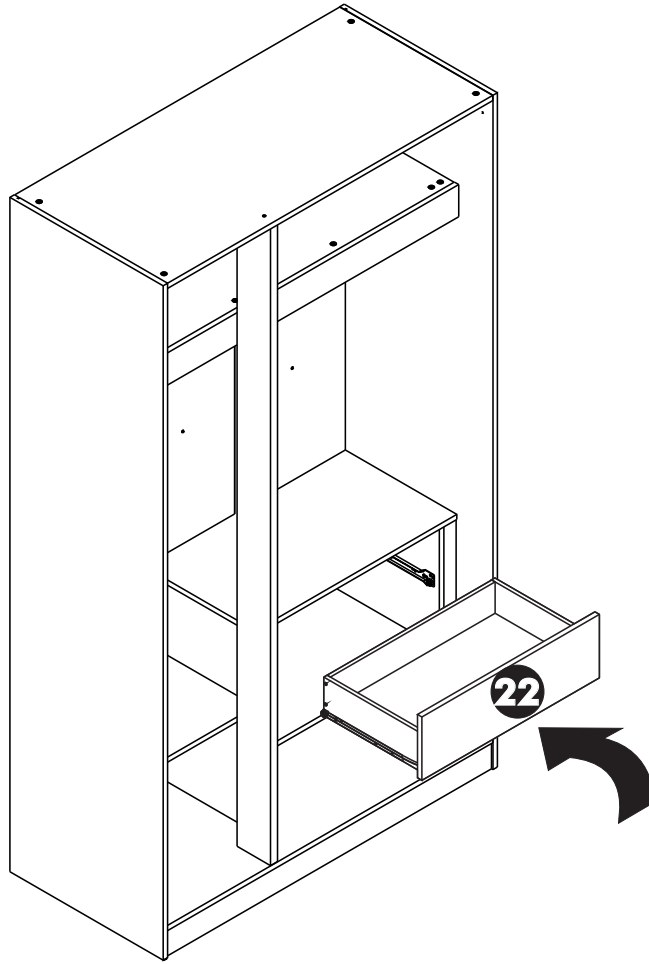
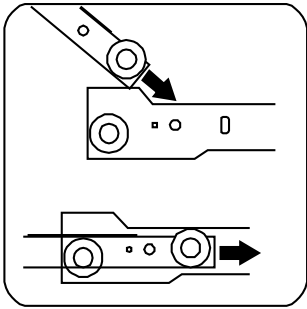
25.



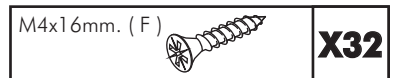
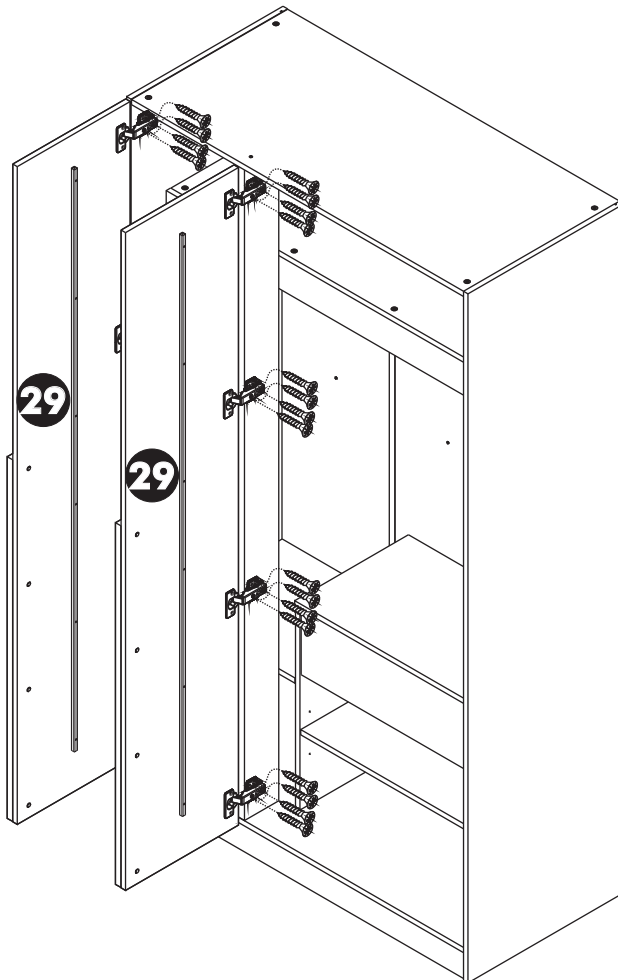
26.



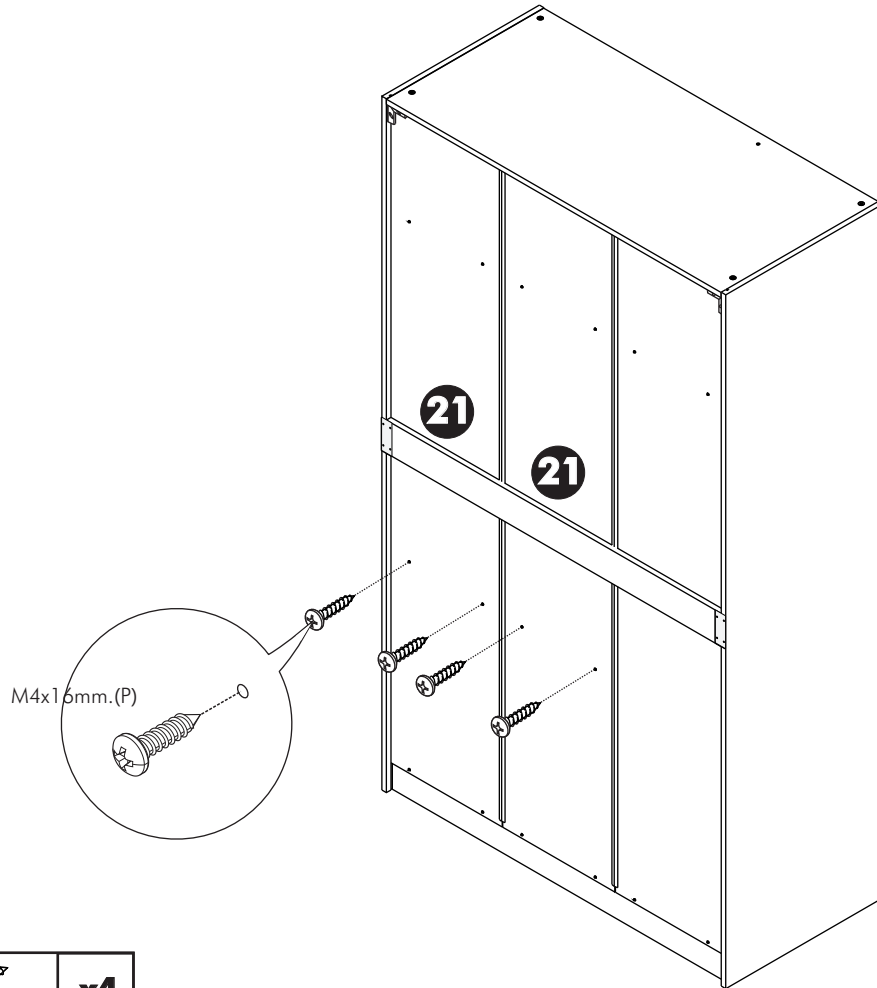
29.



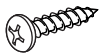
30.



27.

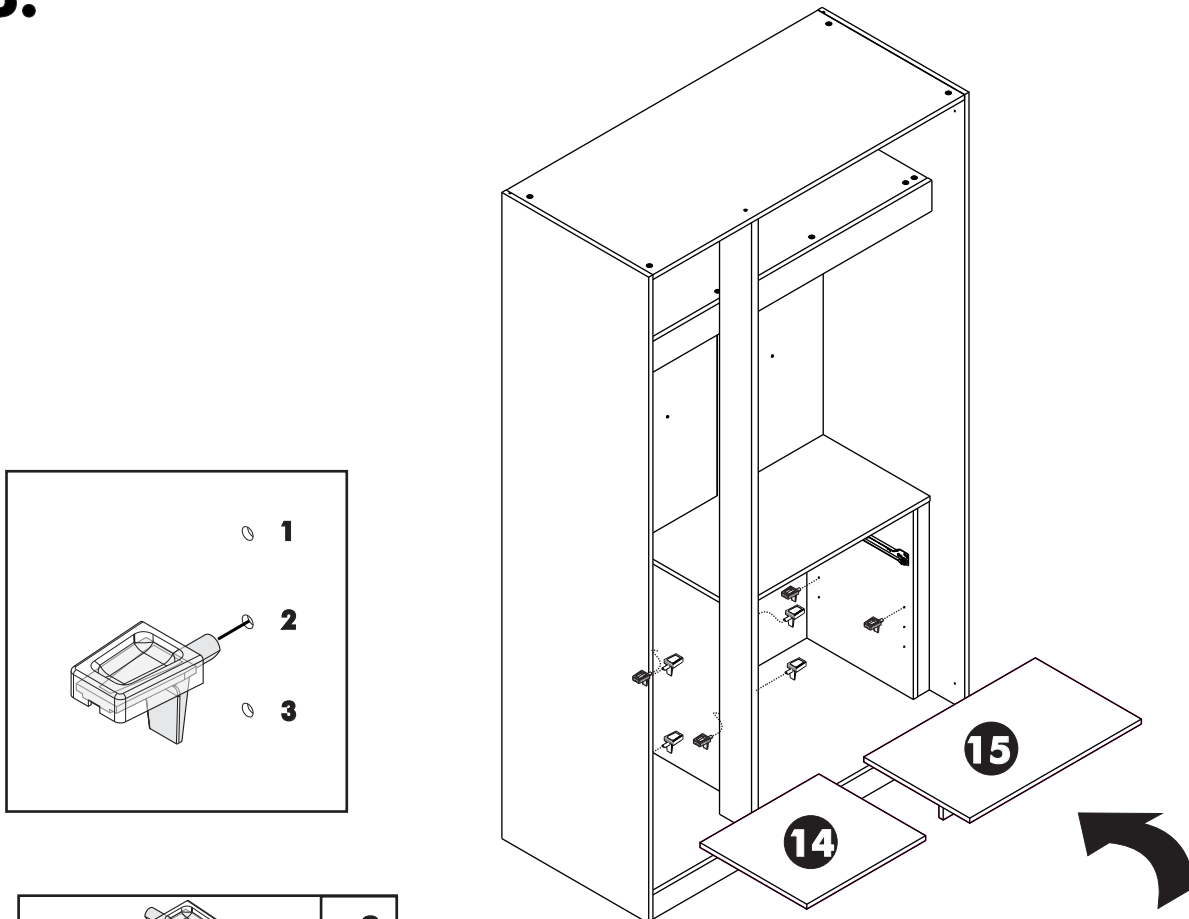


M4x16mm.(P)



x4

28.



1

2

3

15

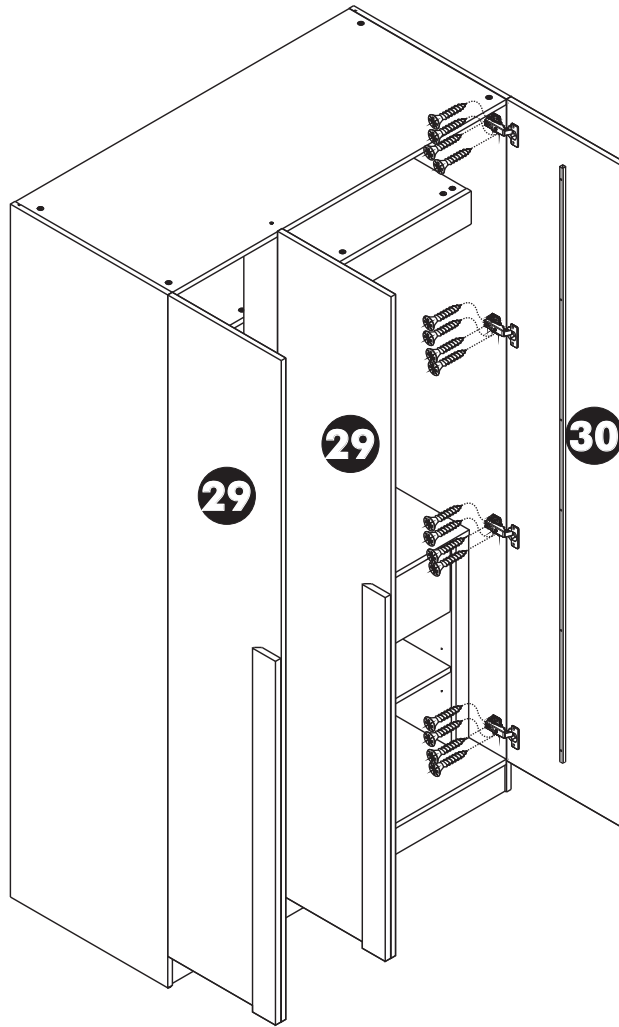
14

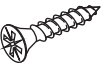
20



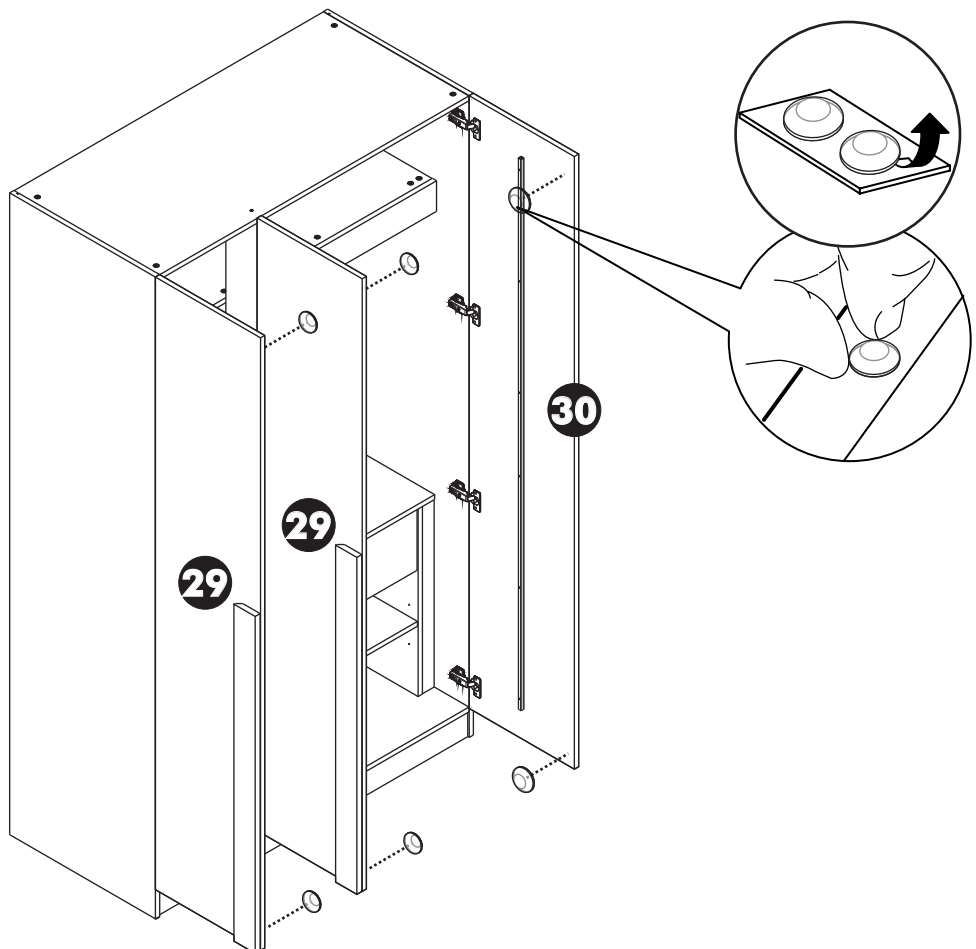
x8


31.



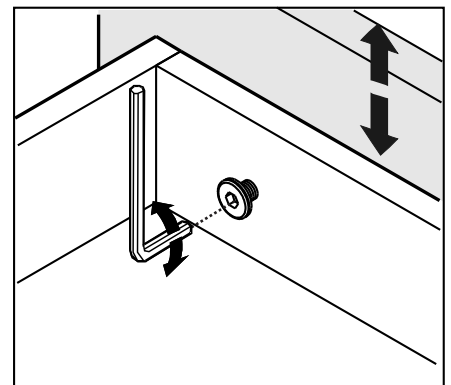
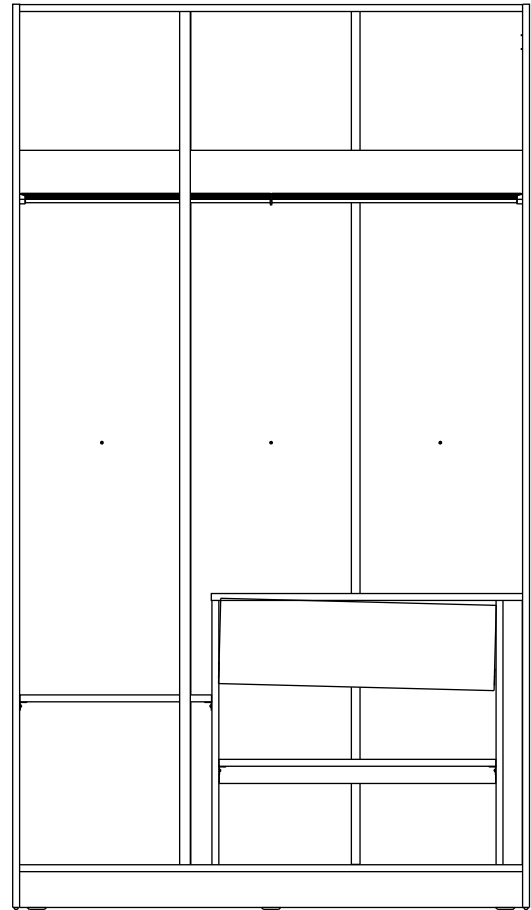
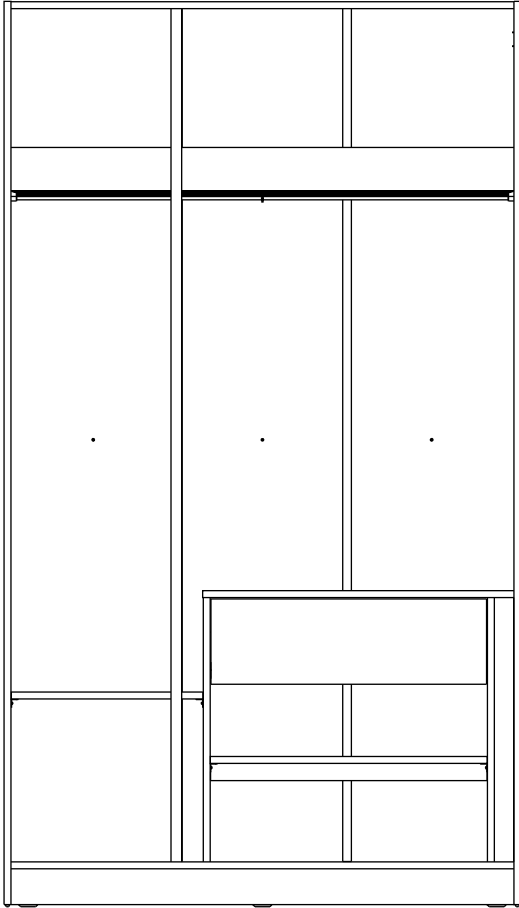
M4x16mm. (F)  **X16**

32.



 **x6**

33.



AFTER FINISHED ASSEMBLY

INCASE OF GAP BETWEEN DRAWERS ARE NOT ALIGN
PLEASE ADJUST AS BELOW

1. LOOSE SCREW A LITTLE BIT.
2. THEN MOVE FRONT DRAWER TO ALINGNMENT POSITION.
3. TIGHTEN SCREW.