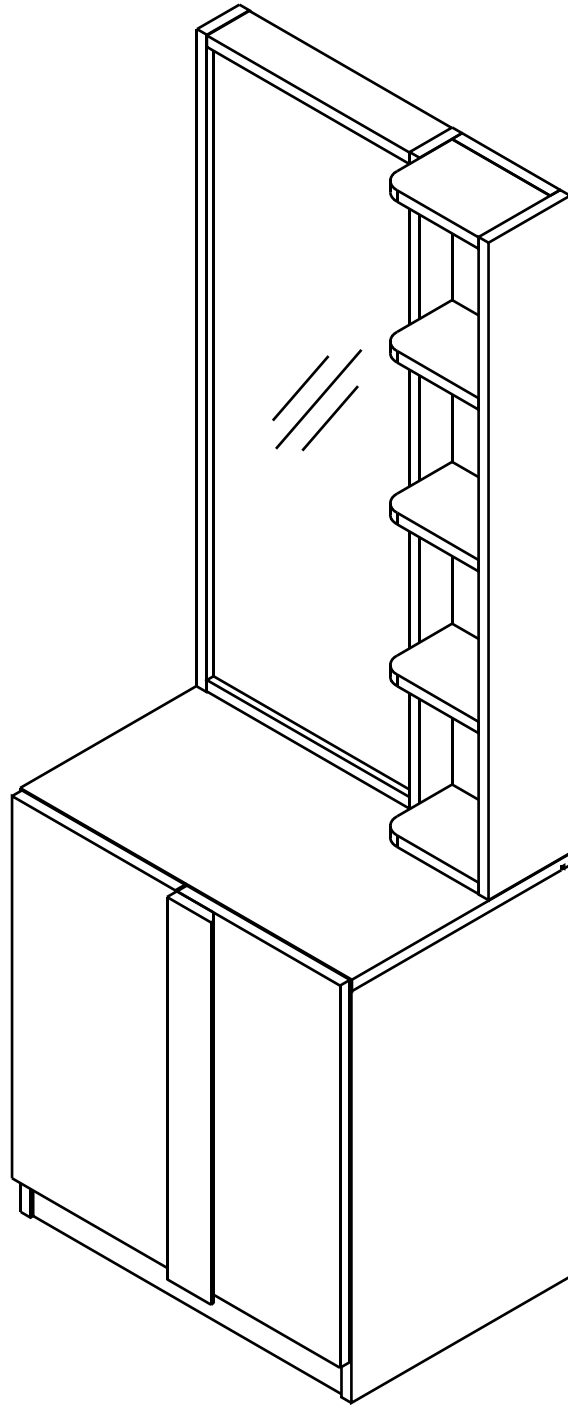
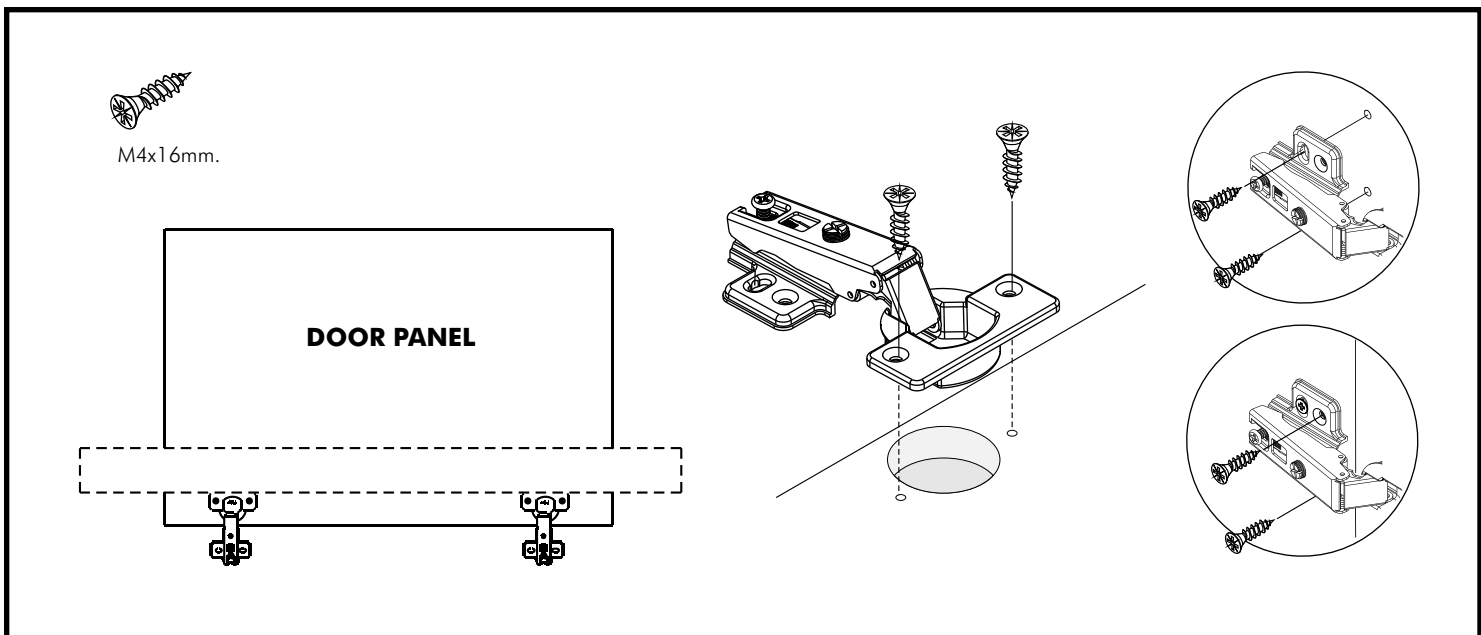
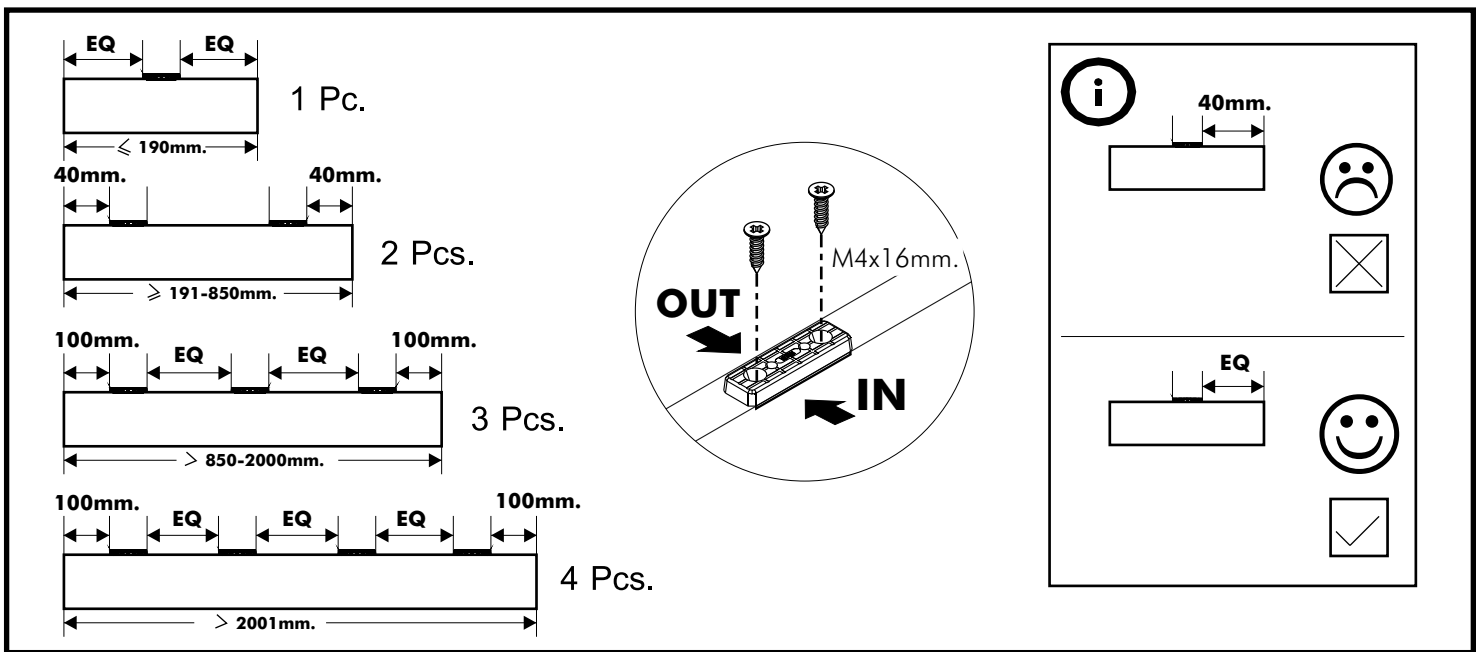


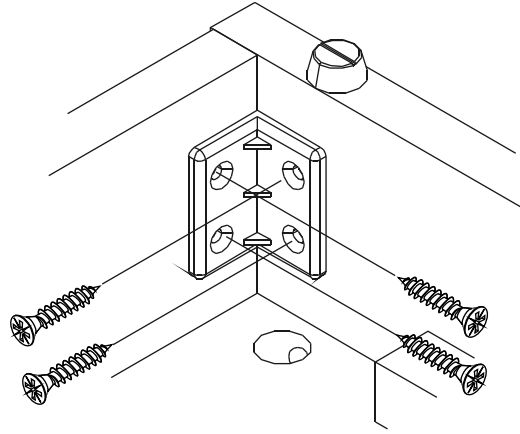
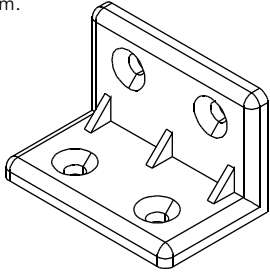
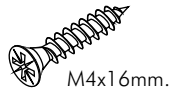
PIANO - P

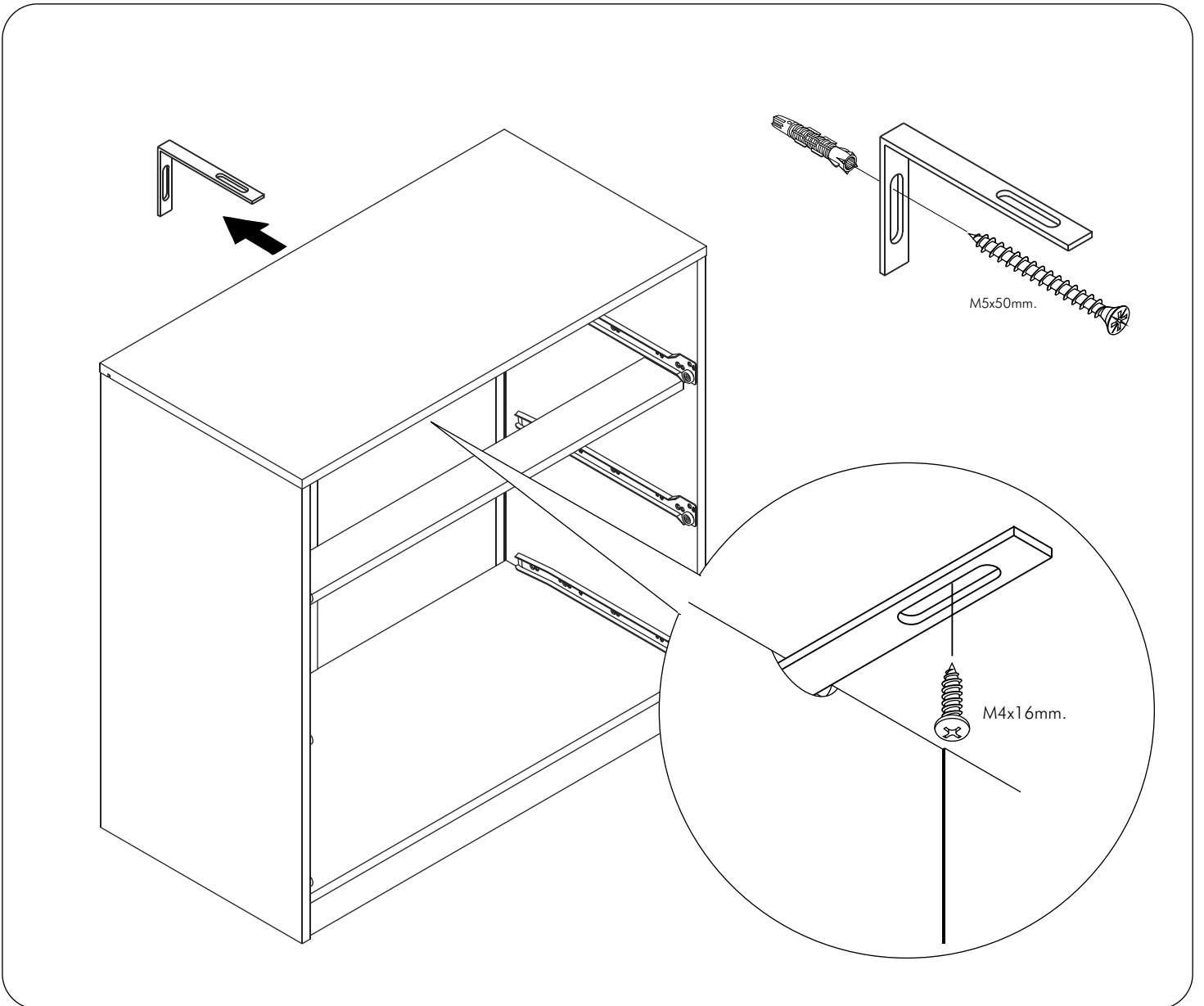
Dressing Table



CONNECT SYSTEM

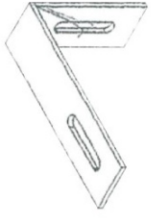




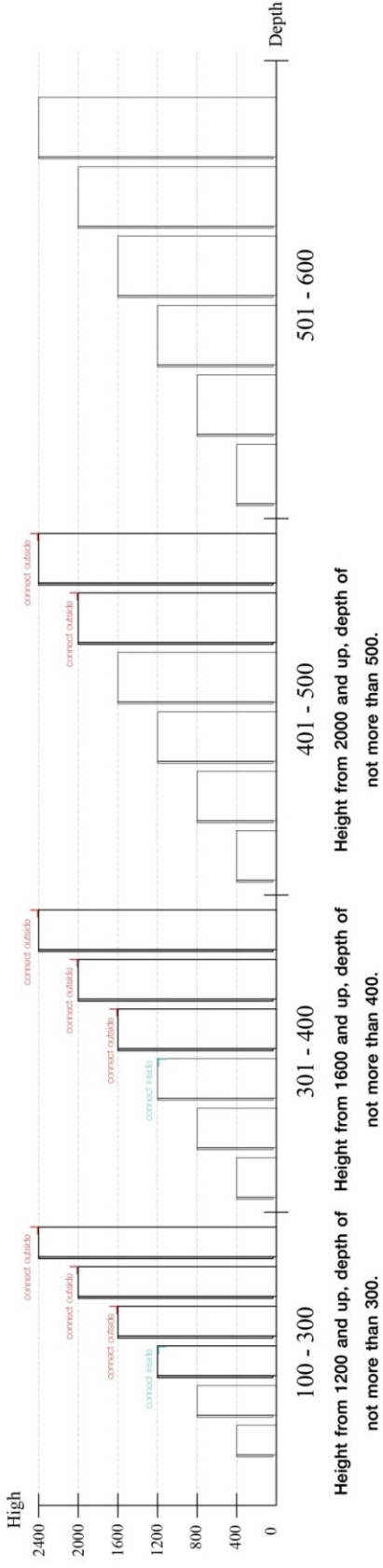


The Standard for identifying which mounted safety fall protection fitting to use **Note : That children's products must be installed with all anti-falling fittings.**

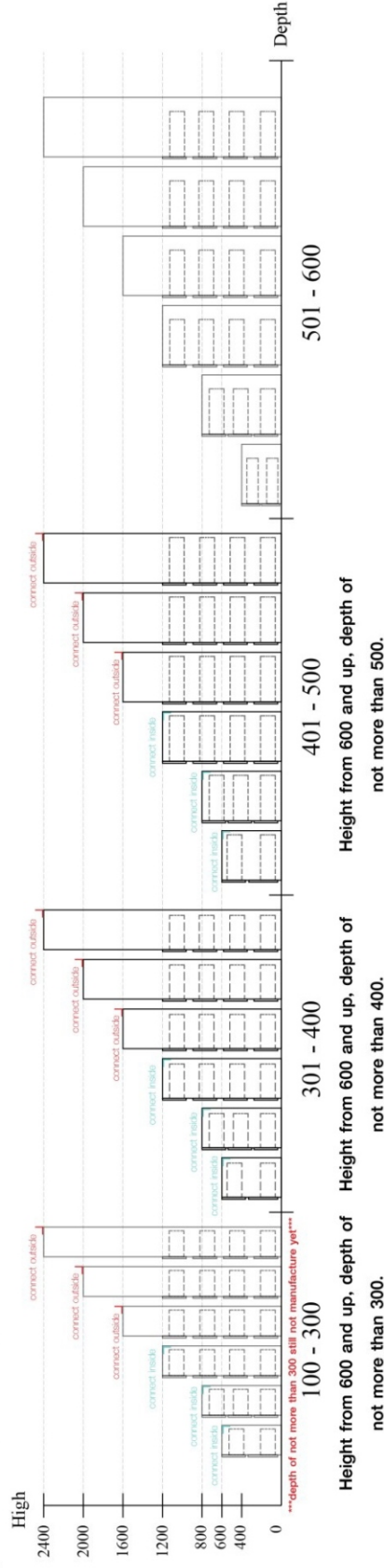
■ Mounted fall protection fittings



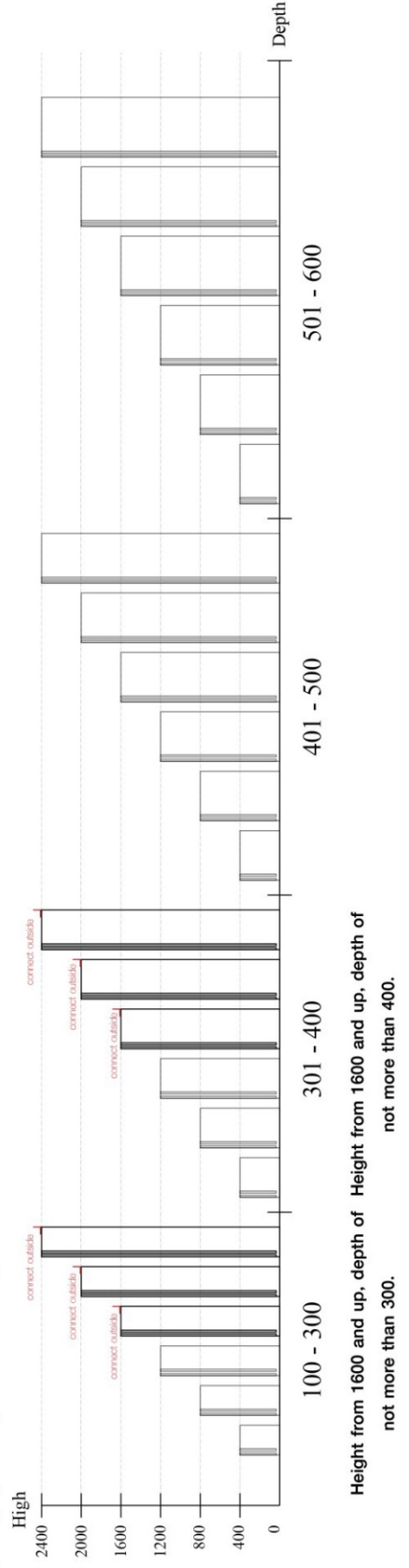
■ Category : Cabinet with open doors



■ Category : Chest of drawers

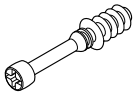


■ Category : Sliding door cabinet / Open cabinet



HARDWARE

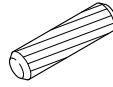
-BODY SET



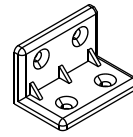
x 16



x 16



x 26



x 8



M4x16mm.

x 40

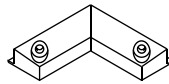


x 4



M4x16mm.

x 3



x 2

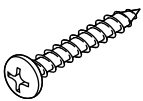


M3.5x20mm.

x 8

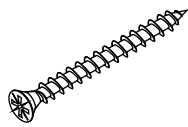


x 4



M4x30mm.

x 5



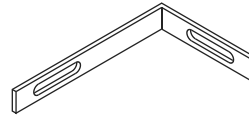
M4x40mm.

x 8

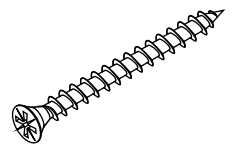


M4x30mm.

x 4

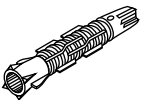


x 1

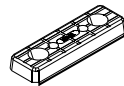


M5x50mm.

x 1

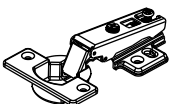


x 1



x 4

-DOOR SET



x 4



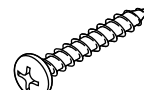
M4x16mm.

x 24



Ø11mm.

x 3



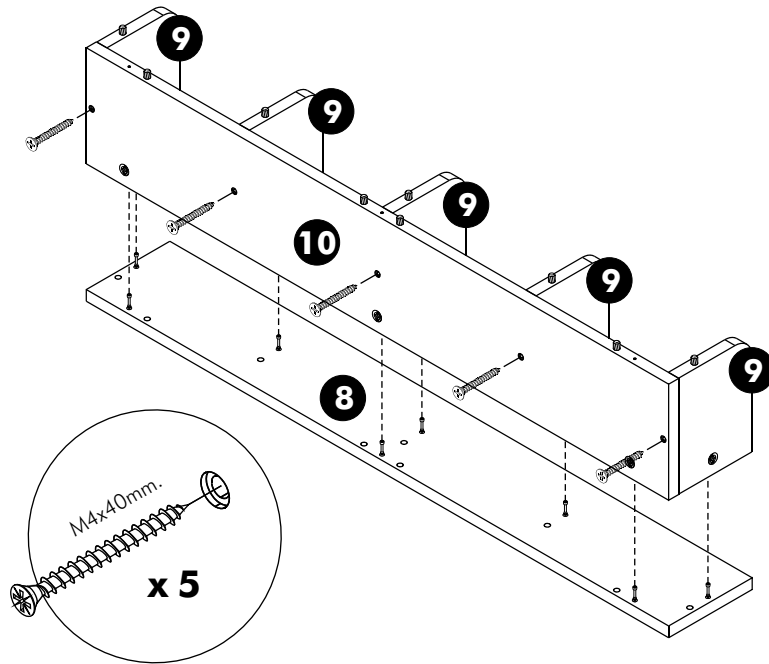
M4x25mm.

x 3

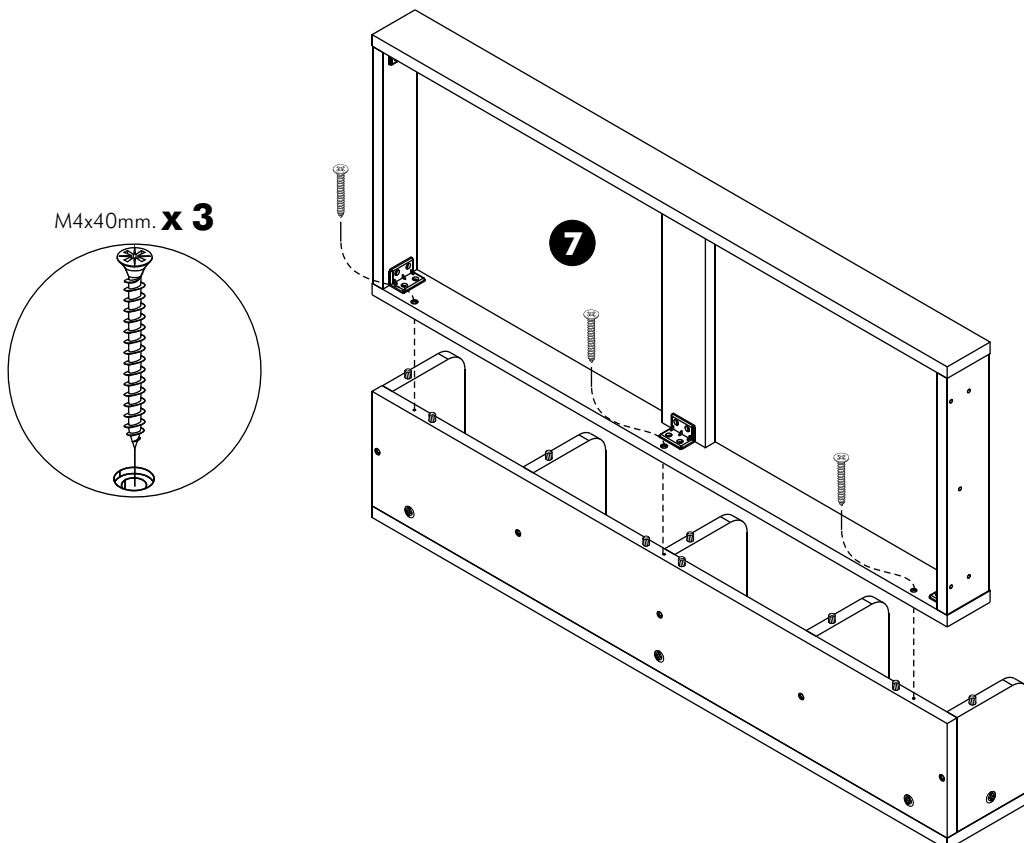
ASSEMBLY

-BODY SET

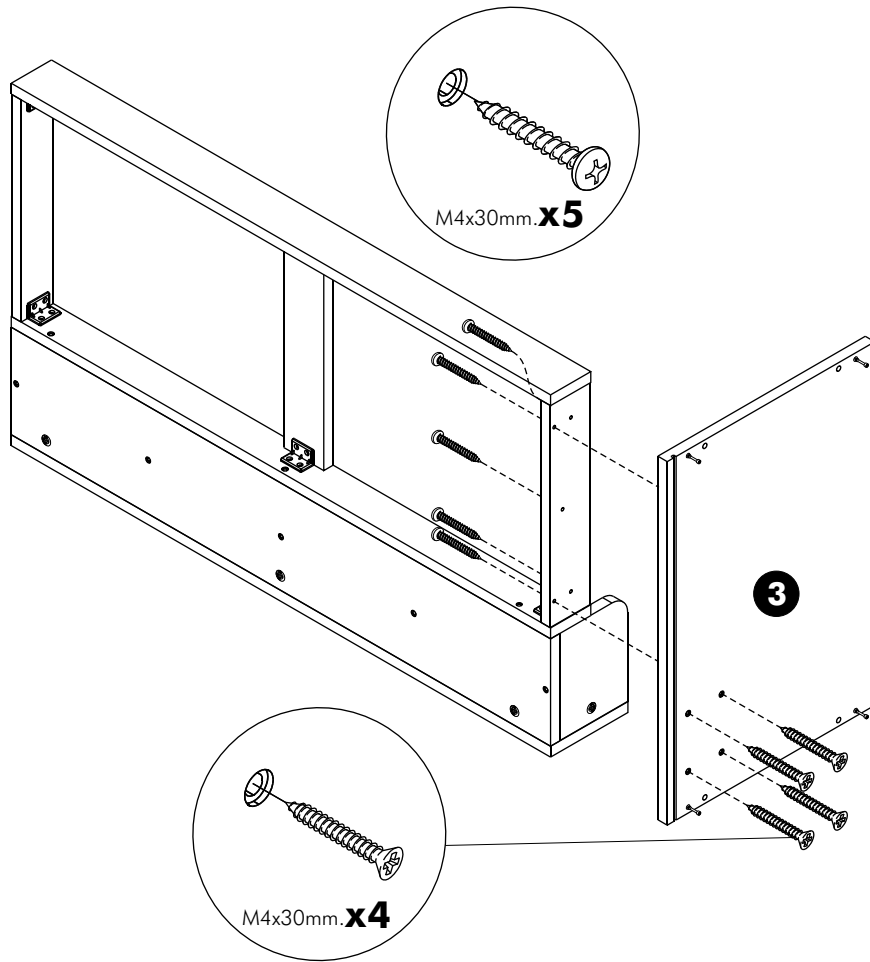
1.



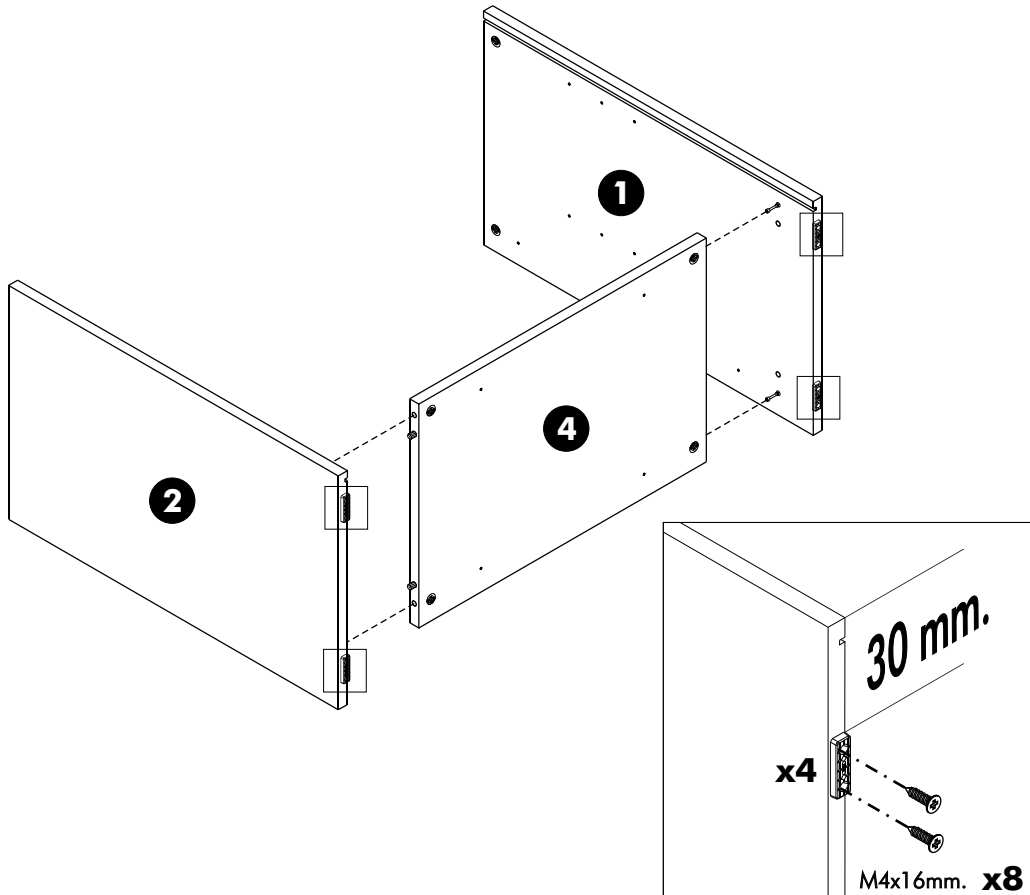
2.



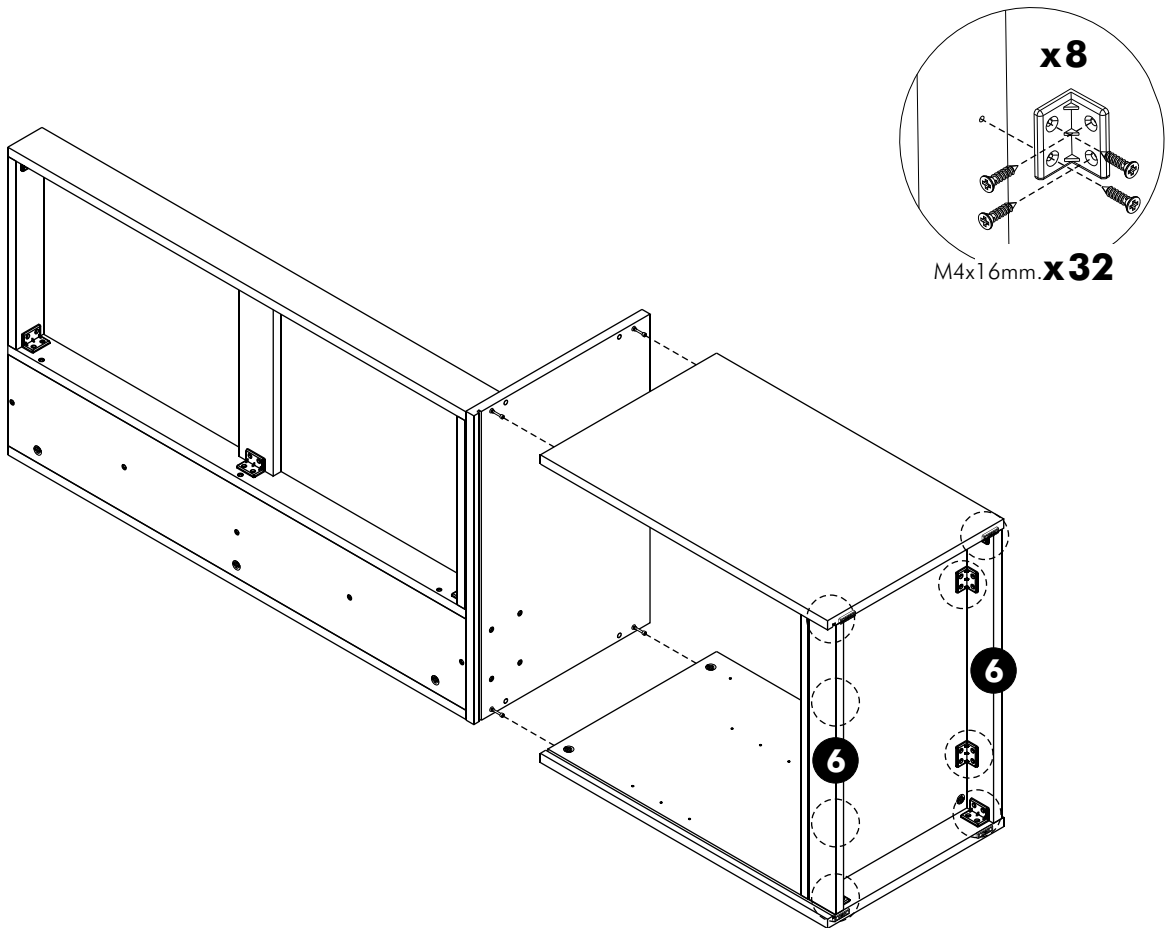
3.



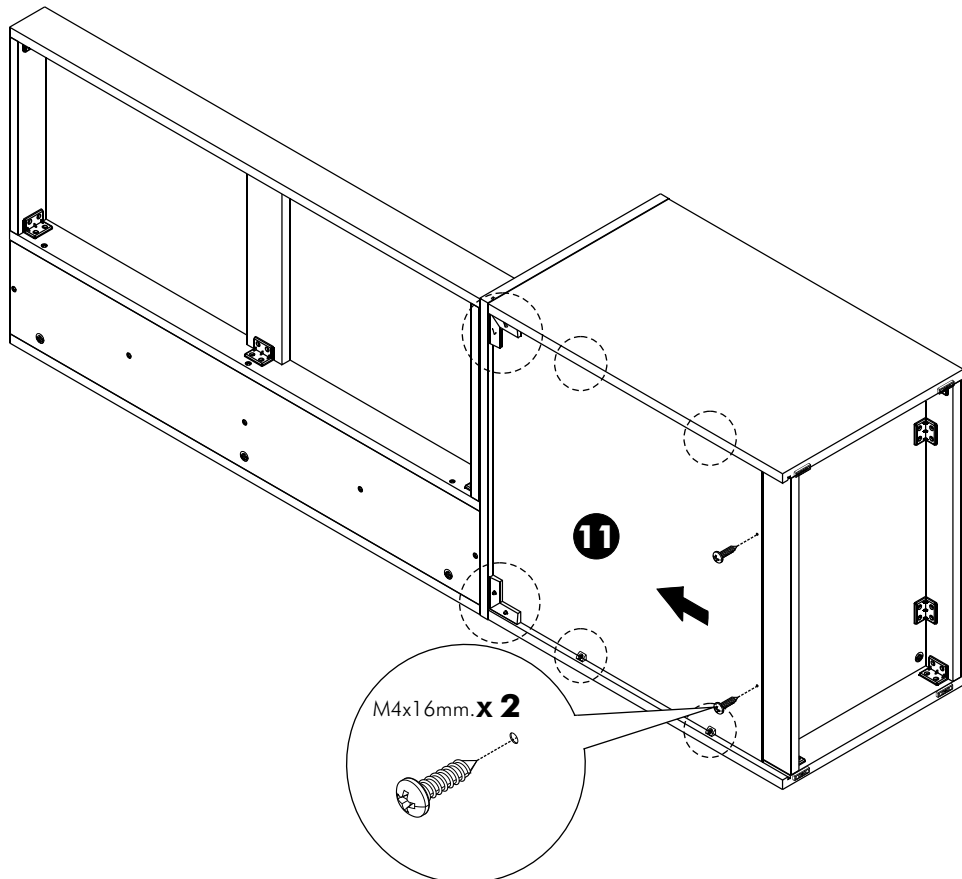
4.



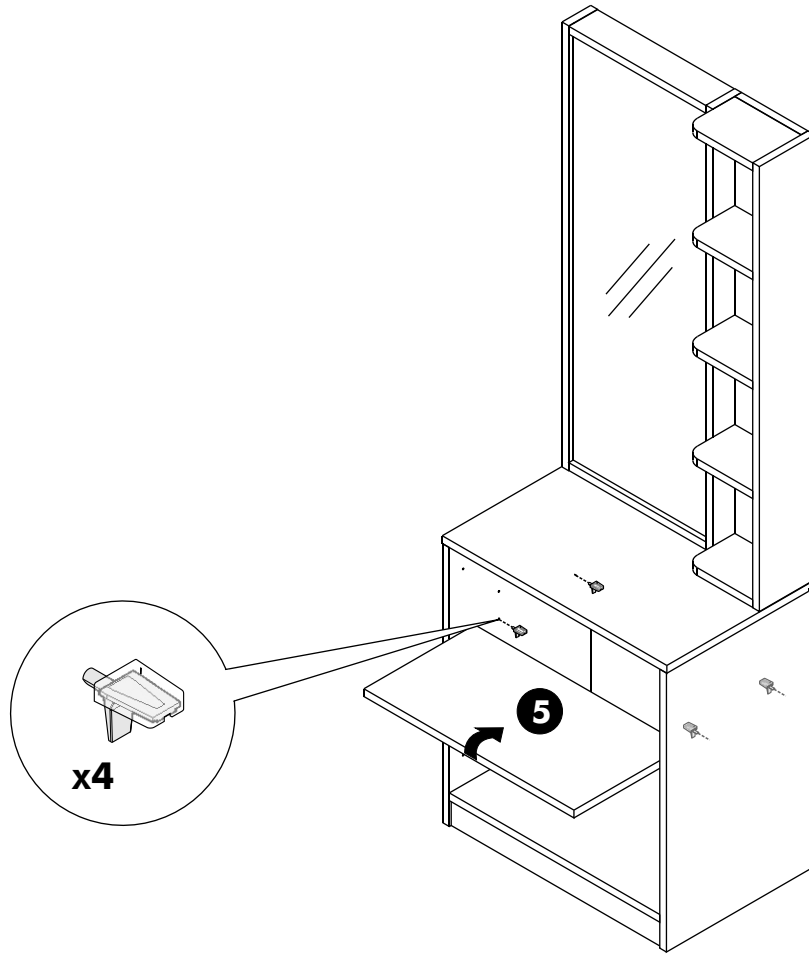
5.



6.



7.



ASSEMBLY

-DOOR SET

