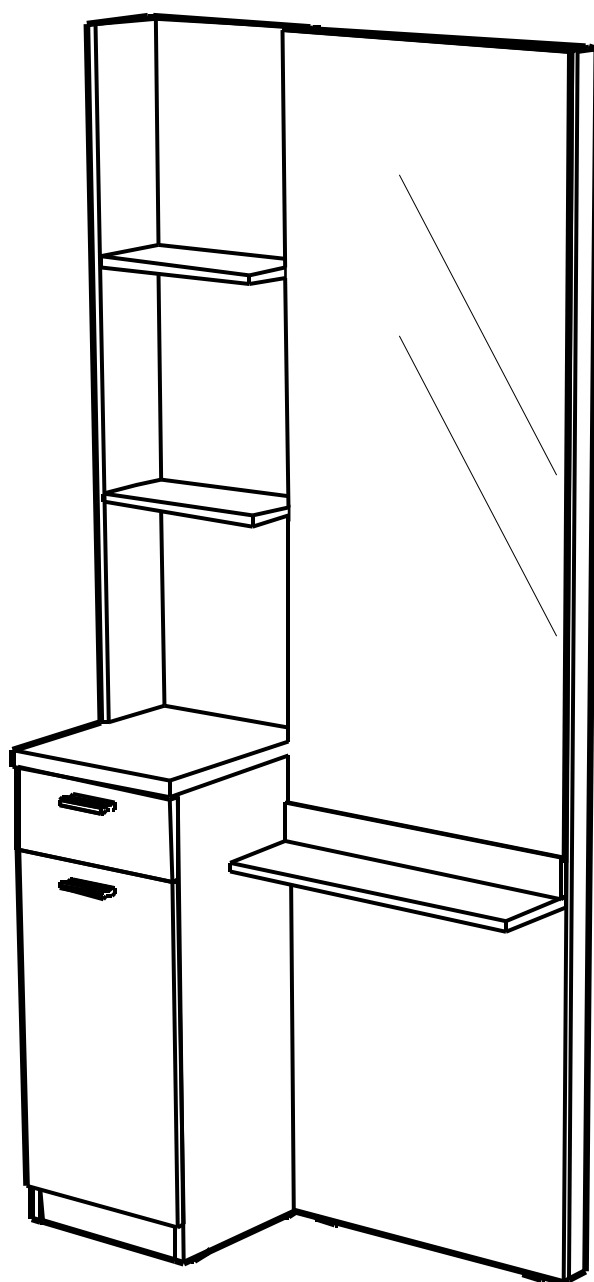
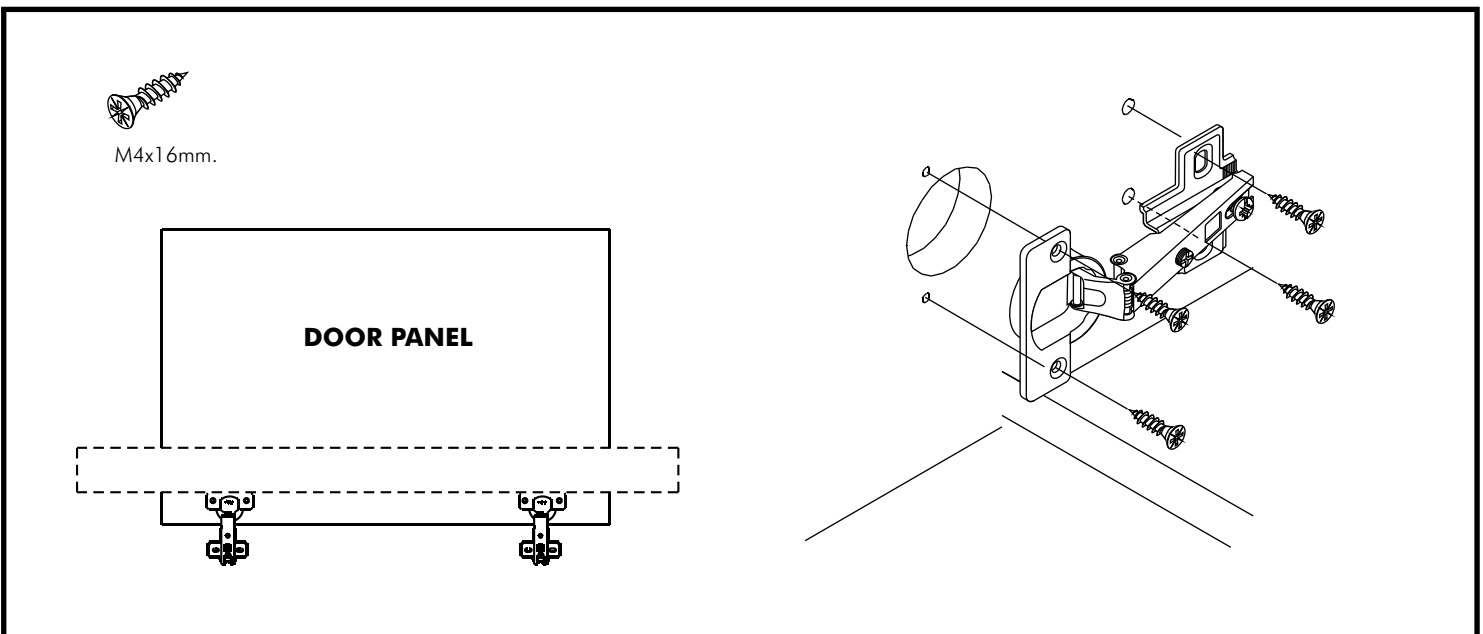
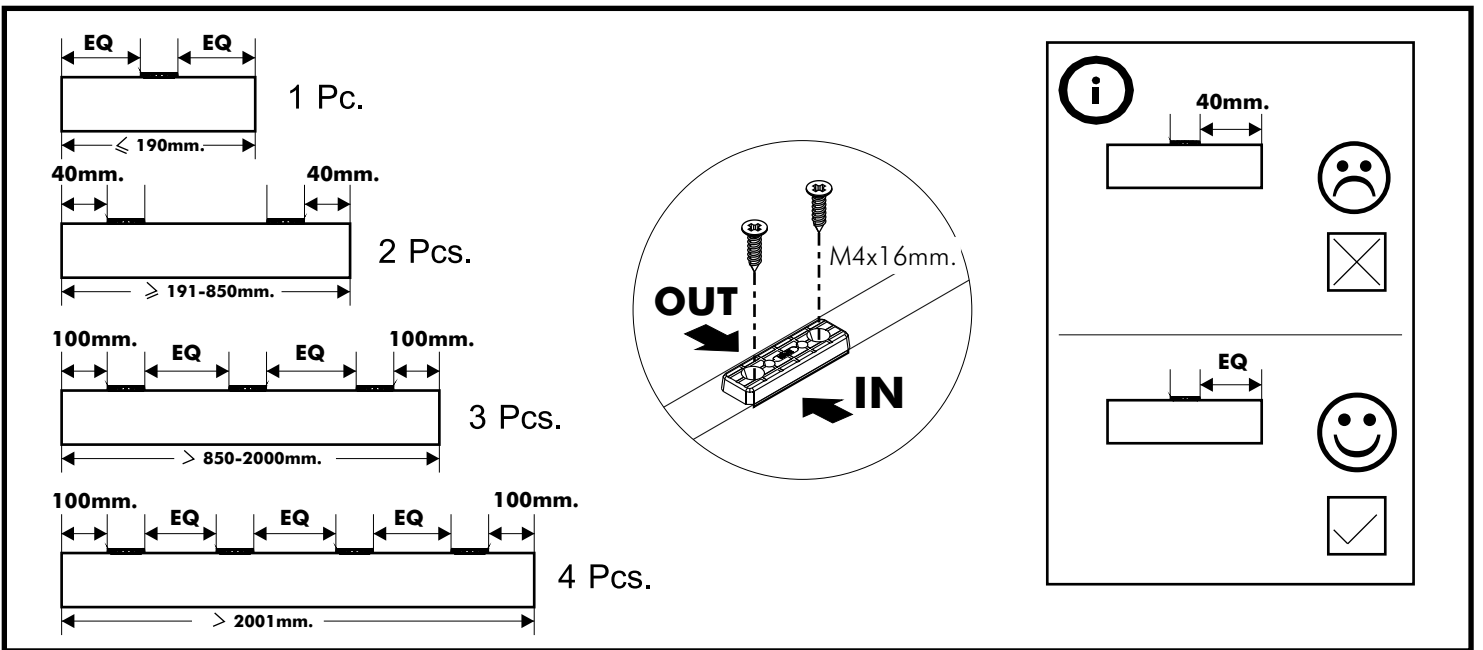
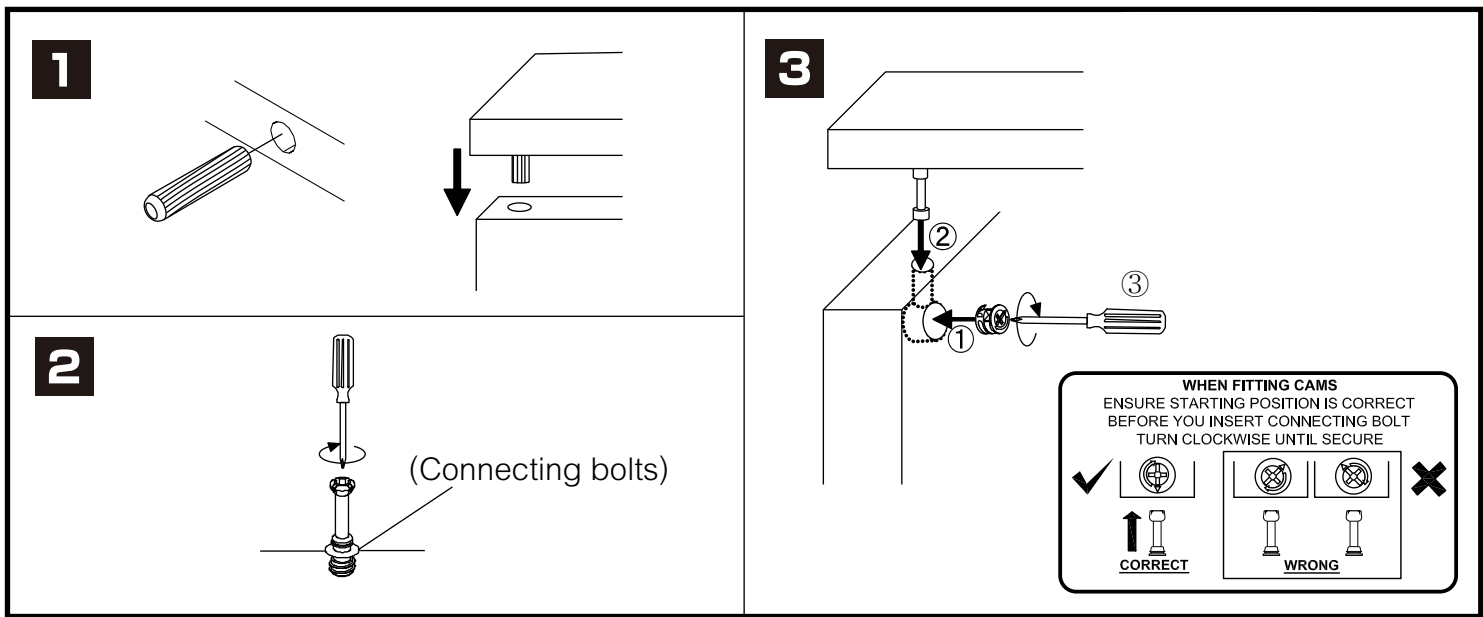


# METRO-P

Dressing table

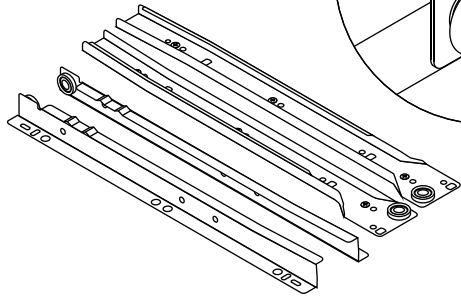
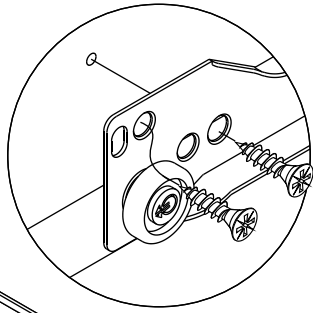


# CONNECT SYSTEM

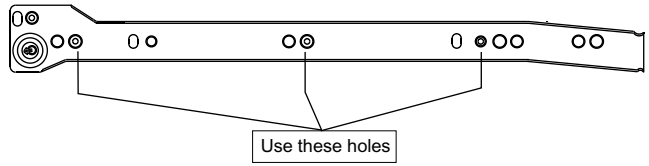




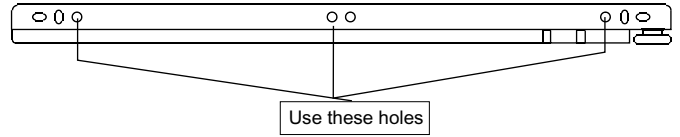
M3.5x13mm.

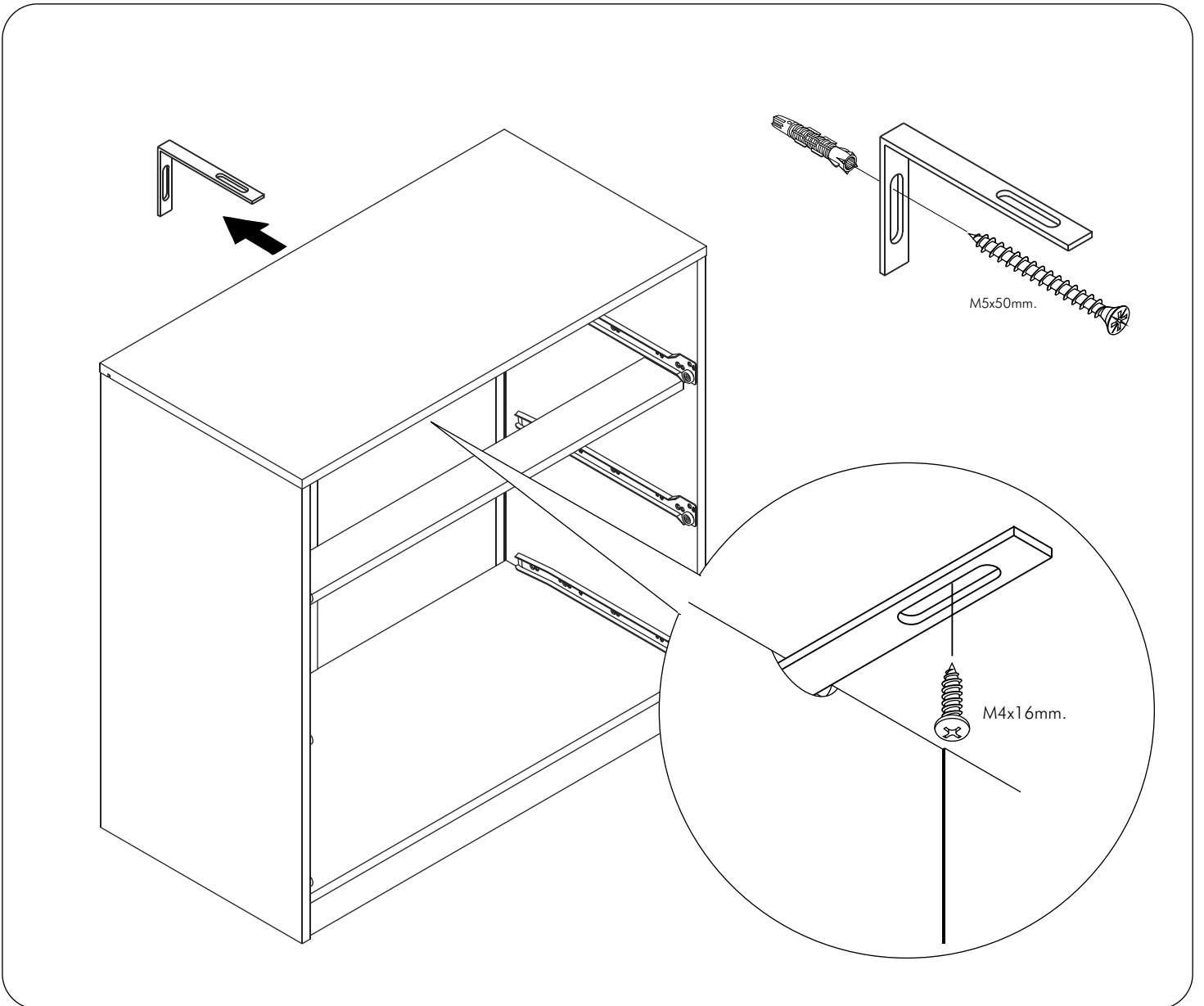
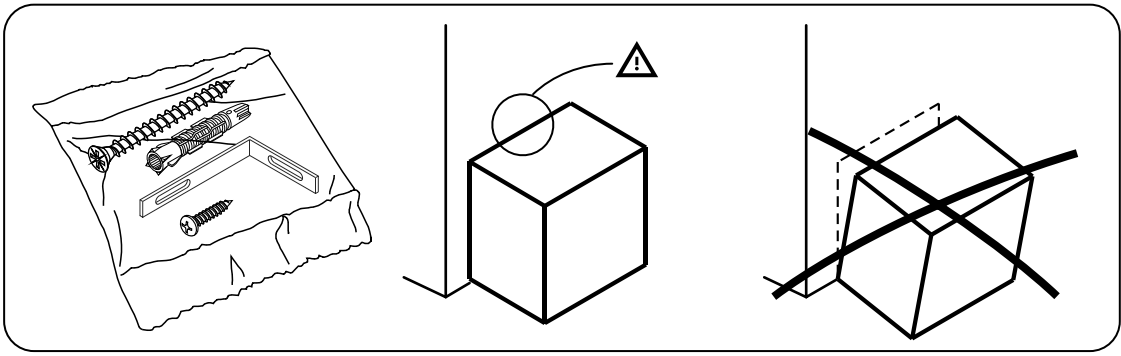


**1**



**2**





# HARDWARE

## -BODY SET

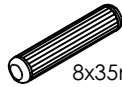


**X 12**



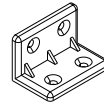
#19mm.

**X 12**



8x35mm.

**X 18**



**X 6**



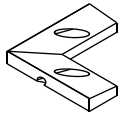
#M4x16(F)

**X 44**



#M4x16(P)

**X 3**



**X 2**

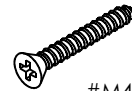


#M3.5x20(F)

**X 8**



**X 4**



#M4x40(F)

**X 21**



#M4x50(F)

**X 2**



#M4x35(F)

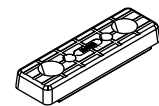
**X 6**



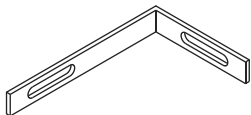
**X 4**



**X 2**



**X 6**

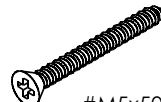


**X 1**



#UP-745

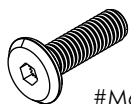
**X 1**



#M5x50(F)

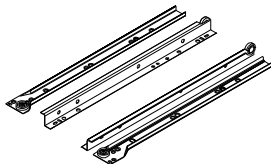
**X 1**

## -DOORS SET



#M6x23

**X 2**

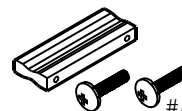


**X 1set**



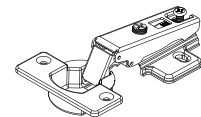
#M3.5x13(F)

**X 14**



#M4x25

**X 2/4**

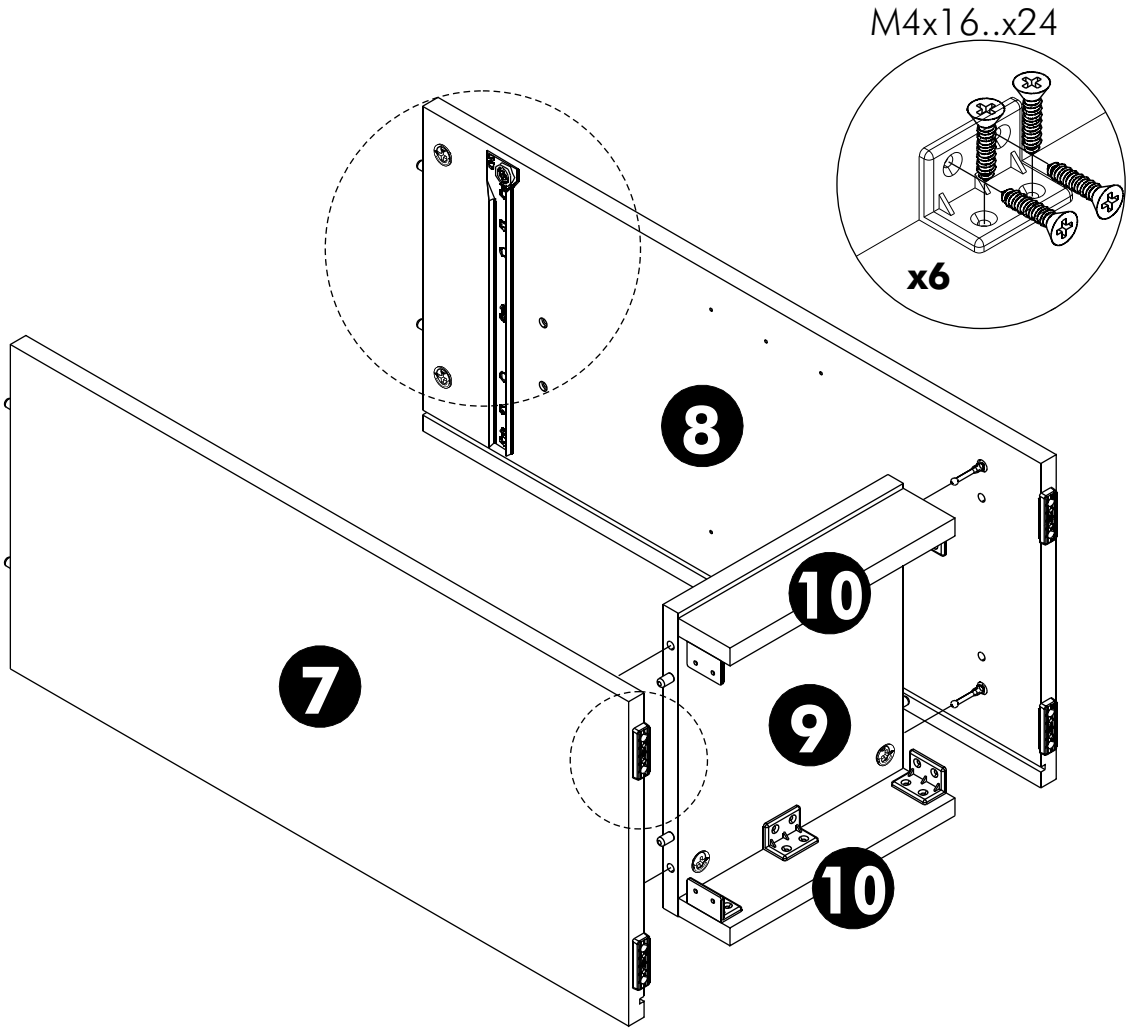


**X 2**

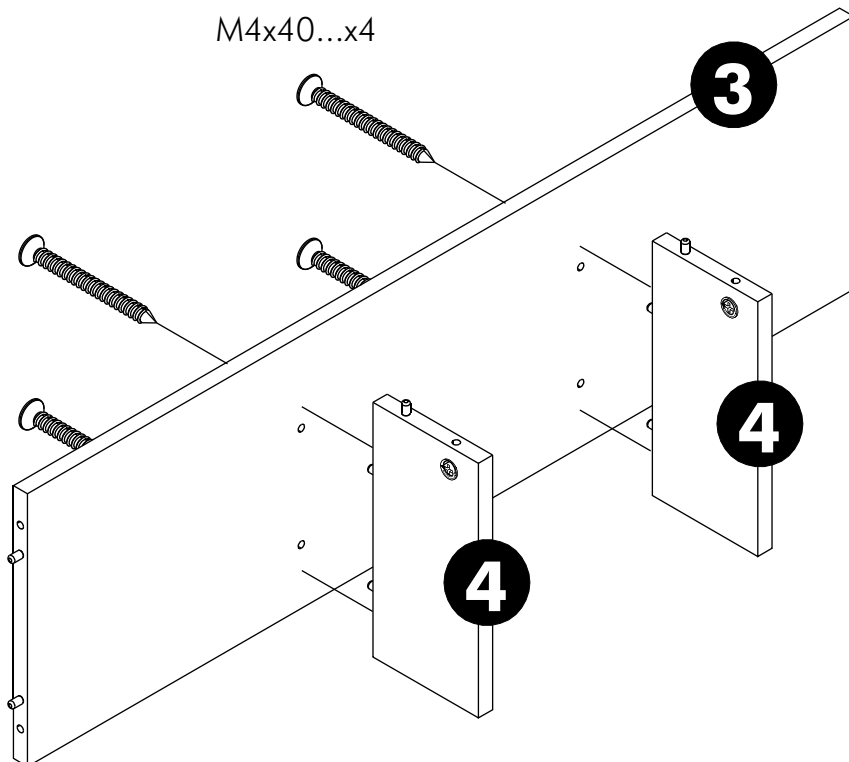


**X 2**

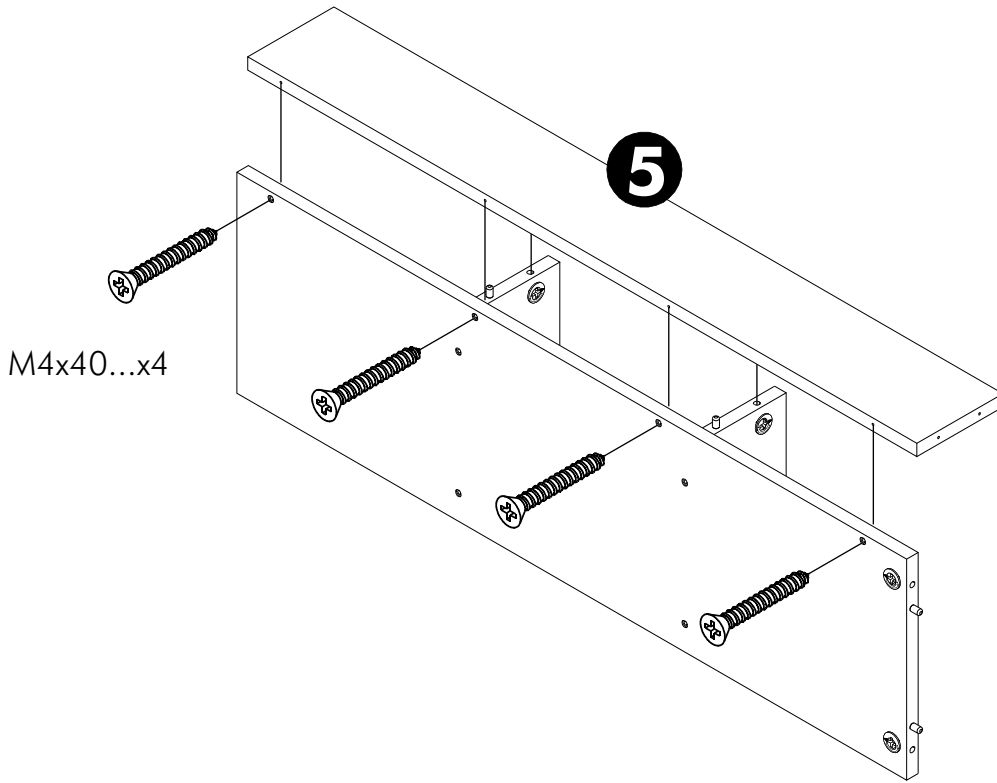
**1.**



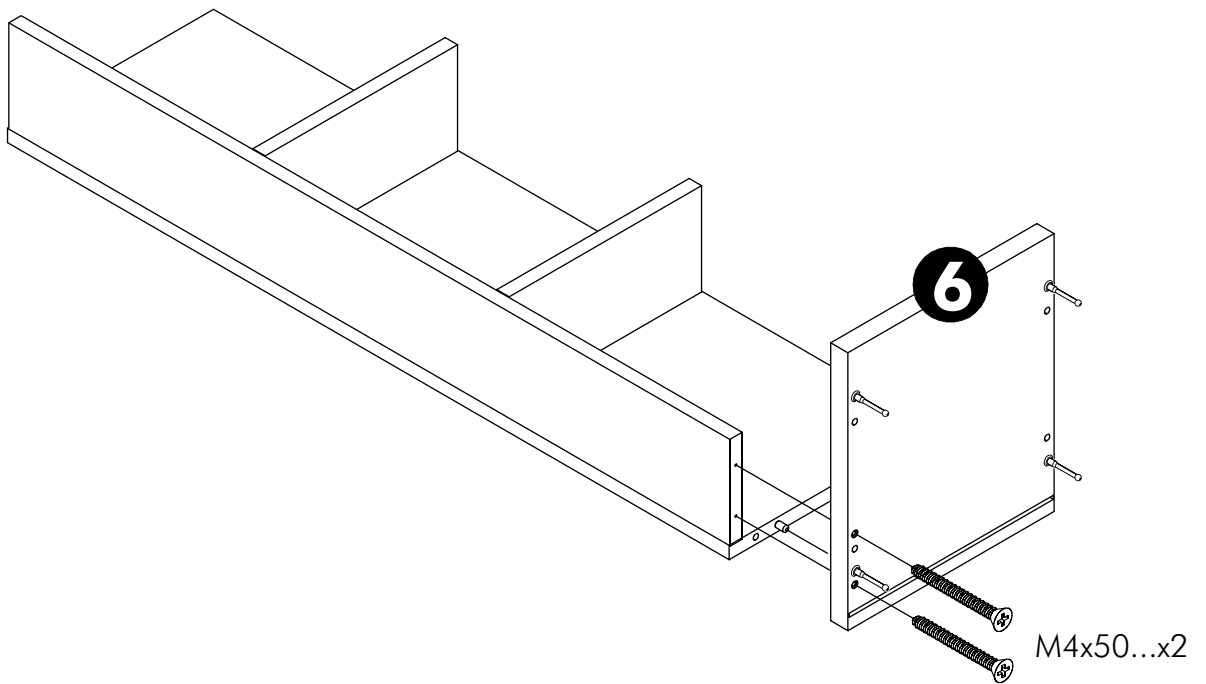
**2.**



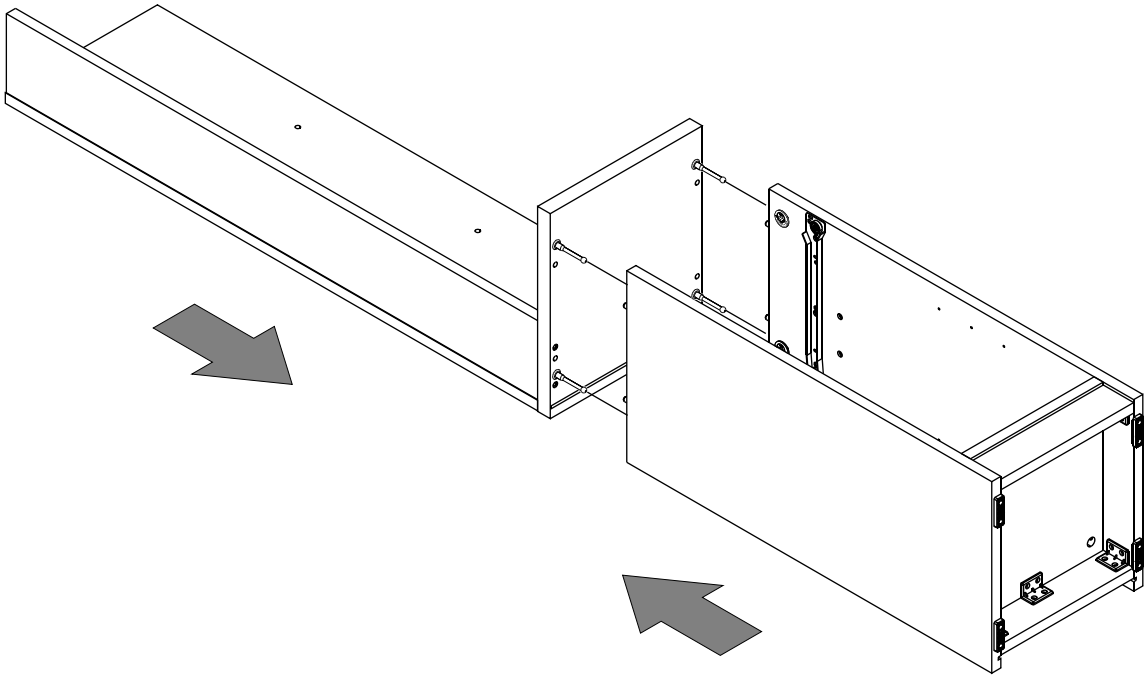
**3.**



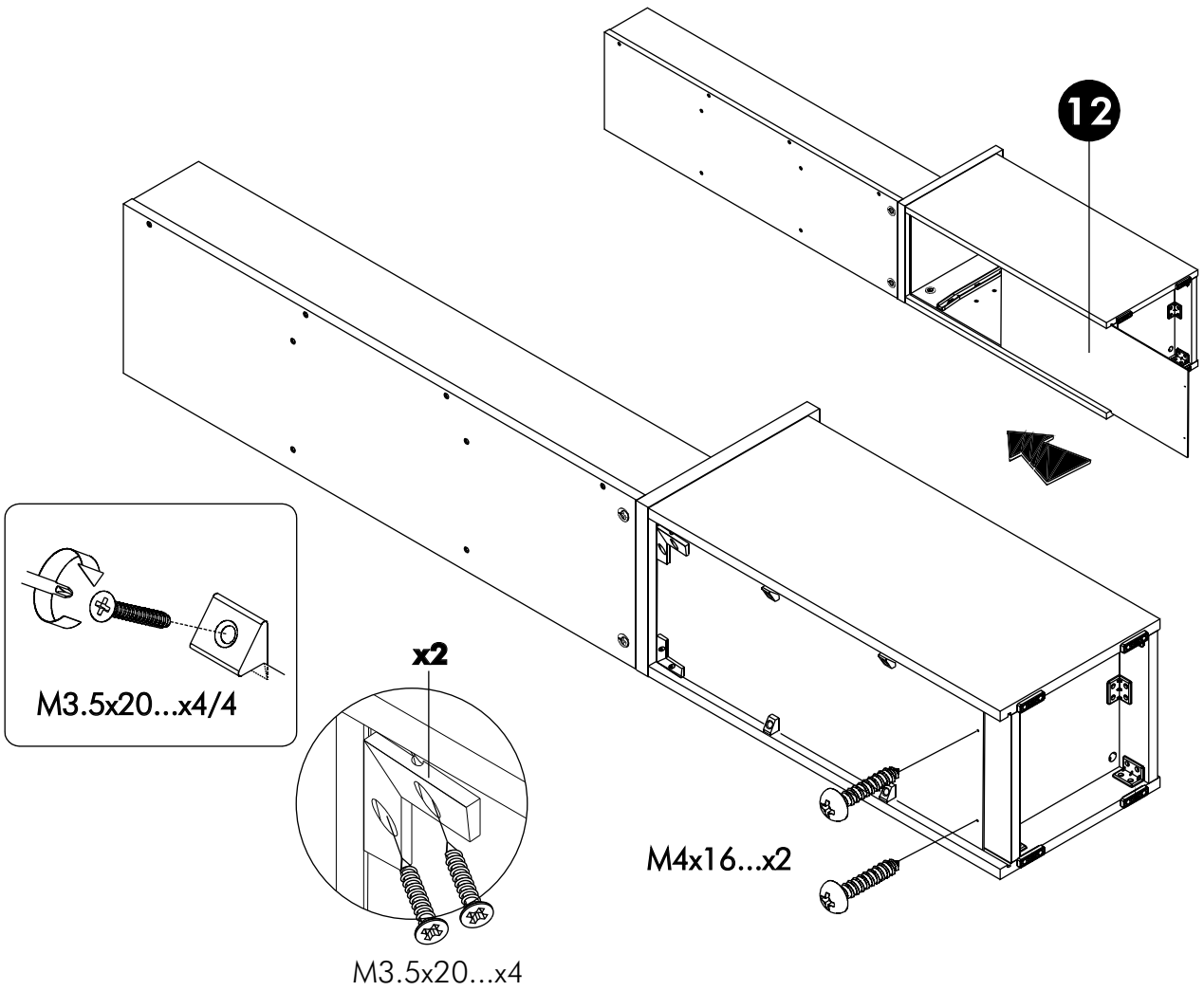
**4.**



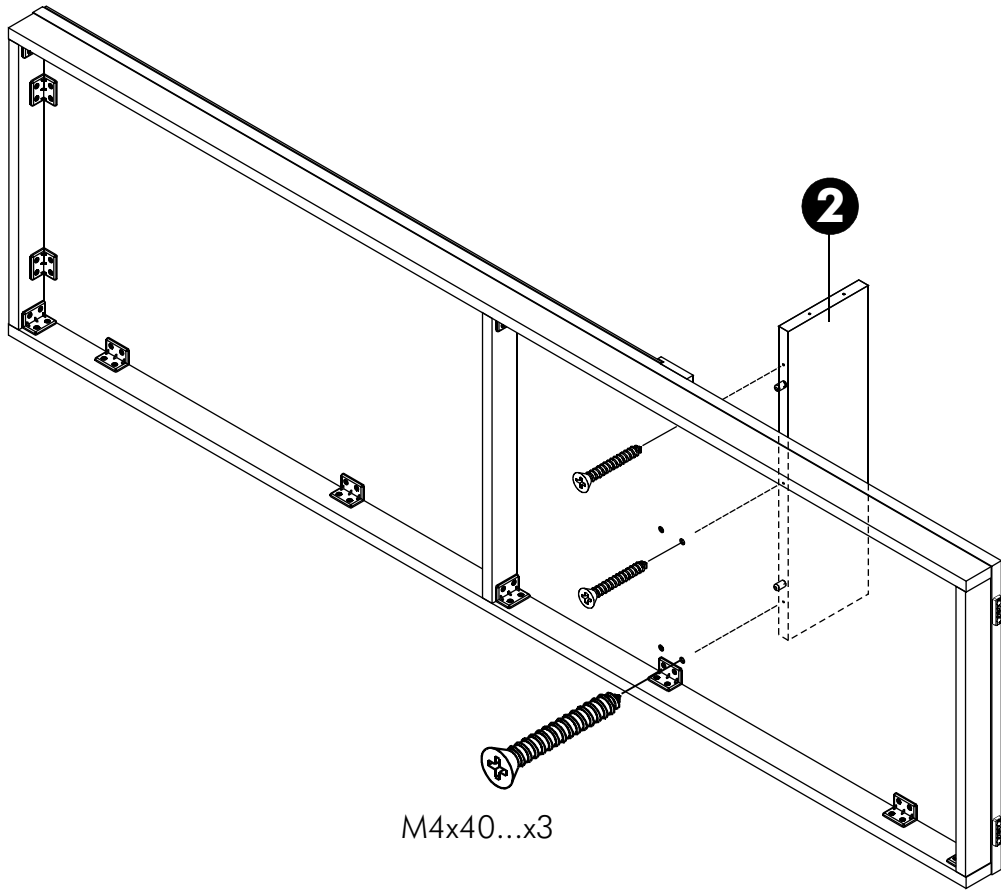
5.



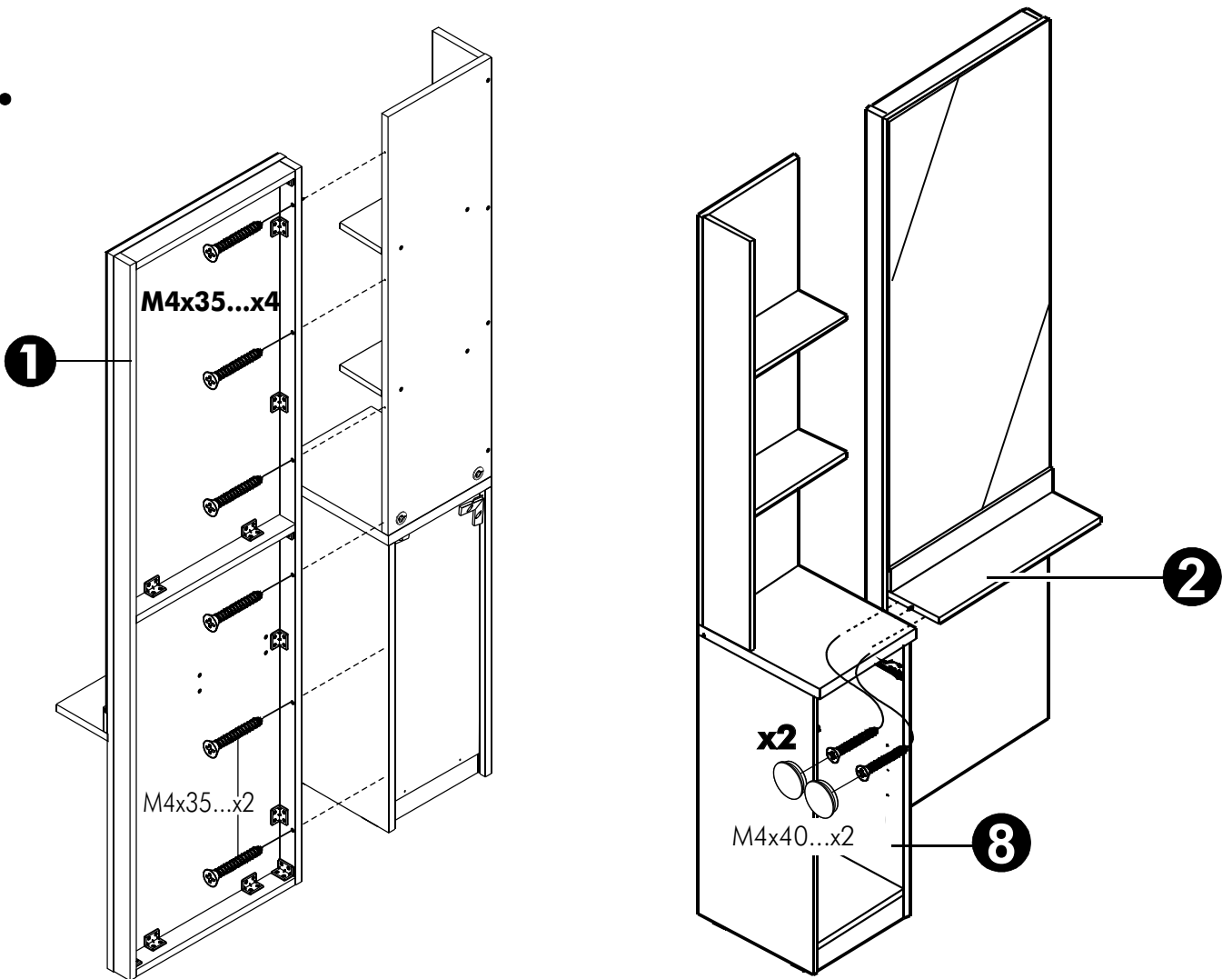
6.



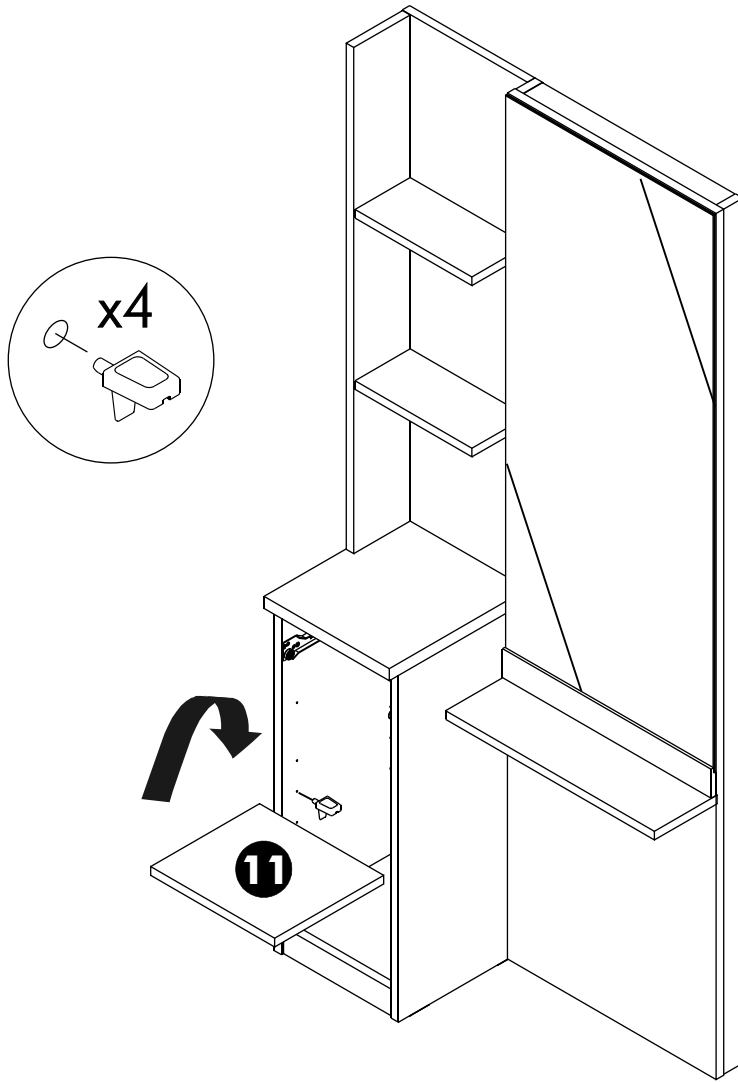
**7.**



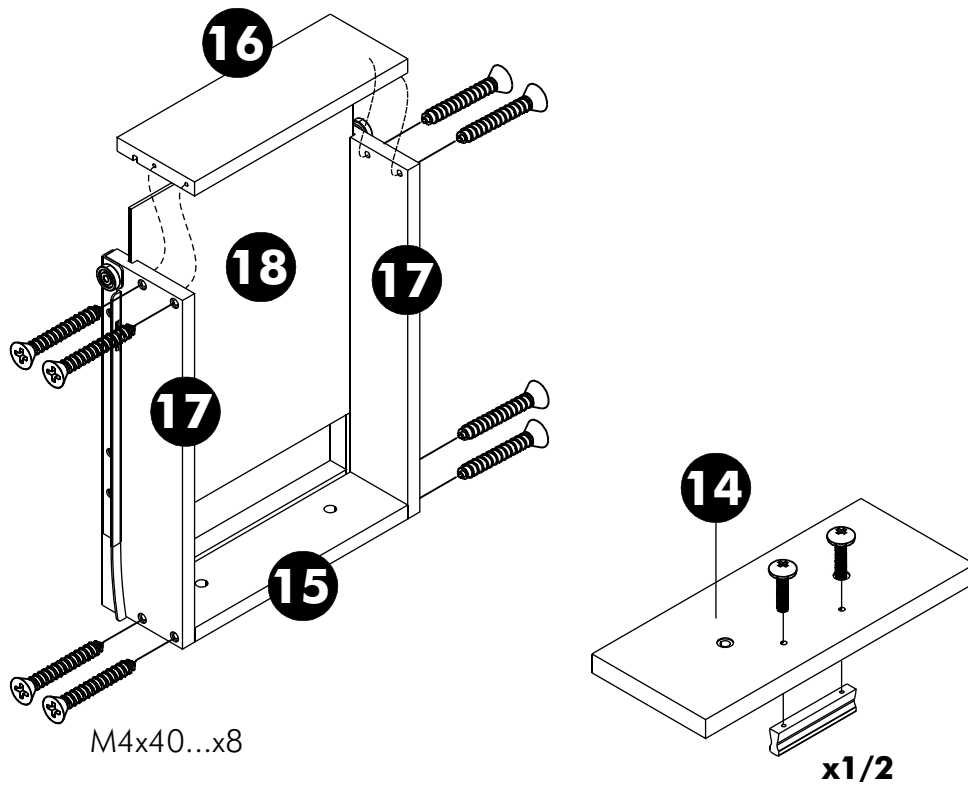
**8.**



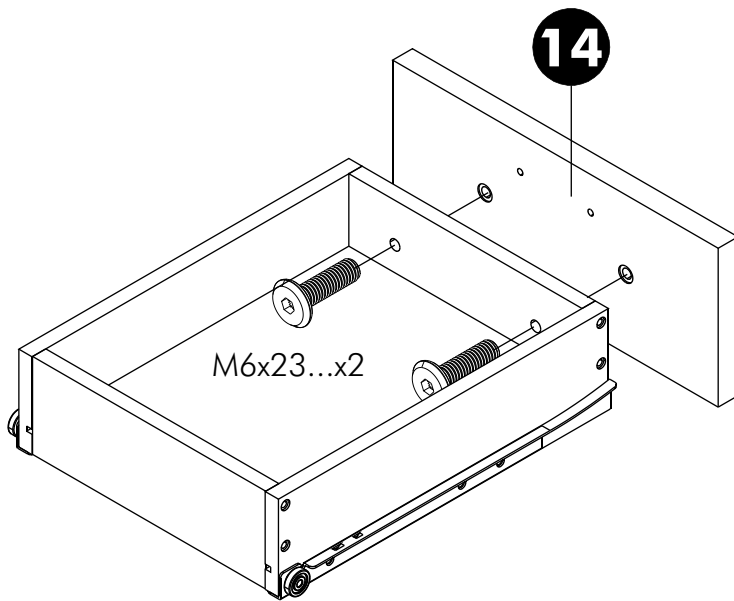
9.



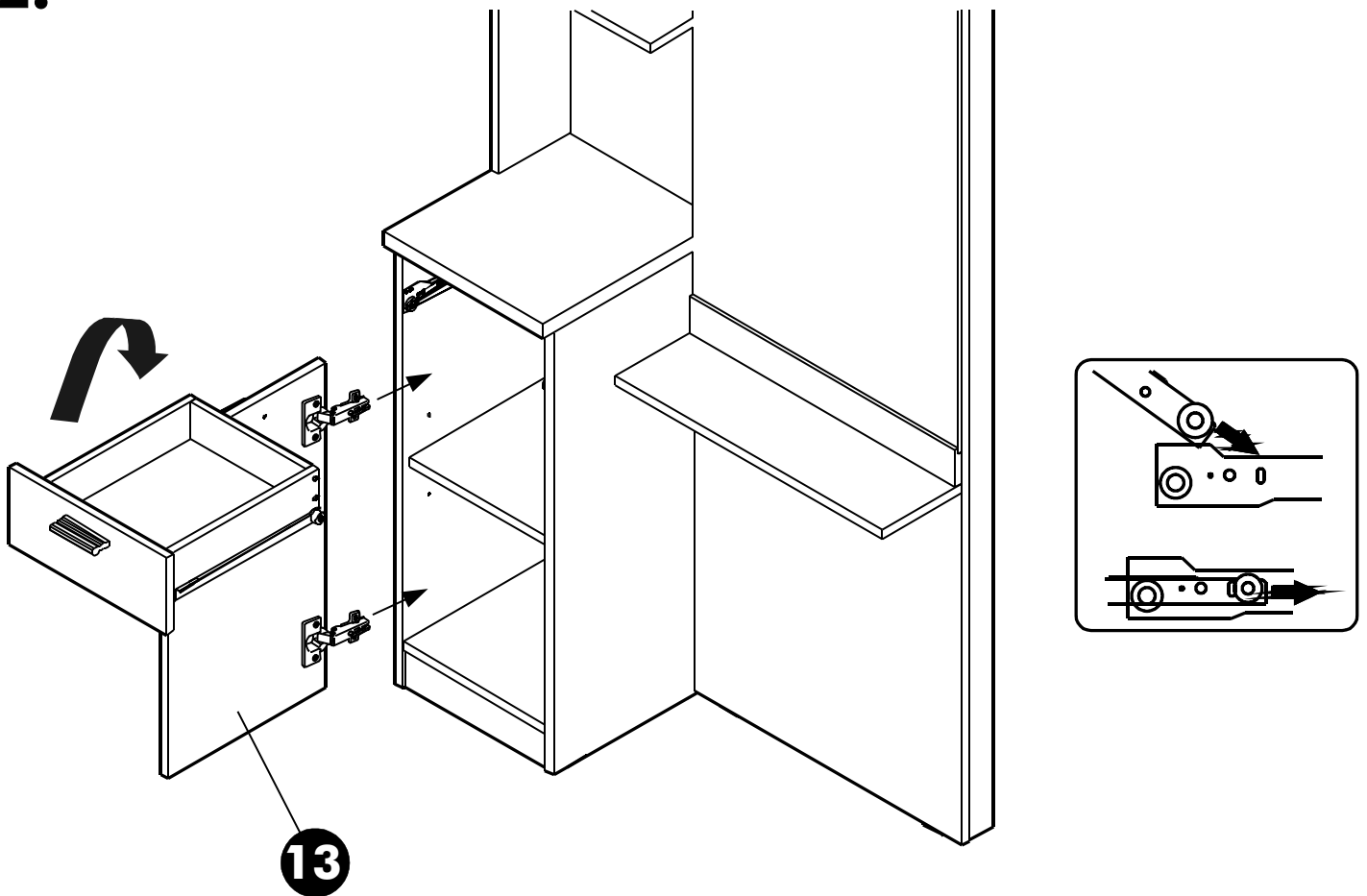
10.



**11.**



**12.**



# 13.

