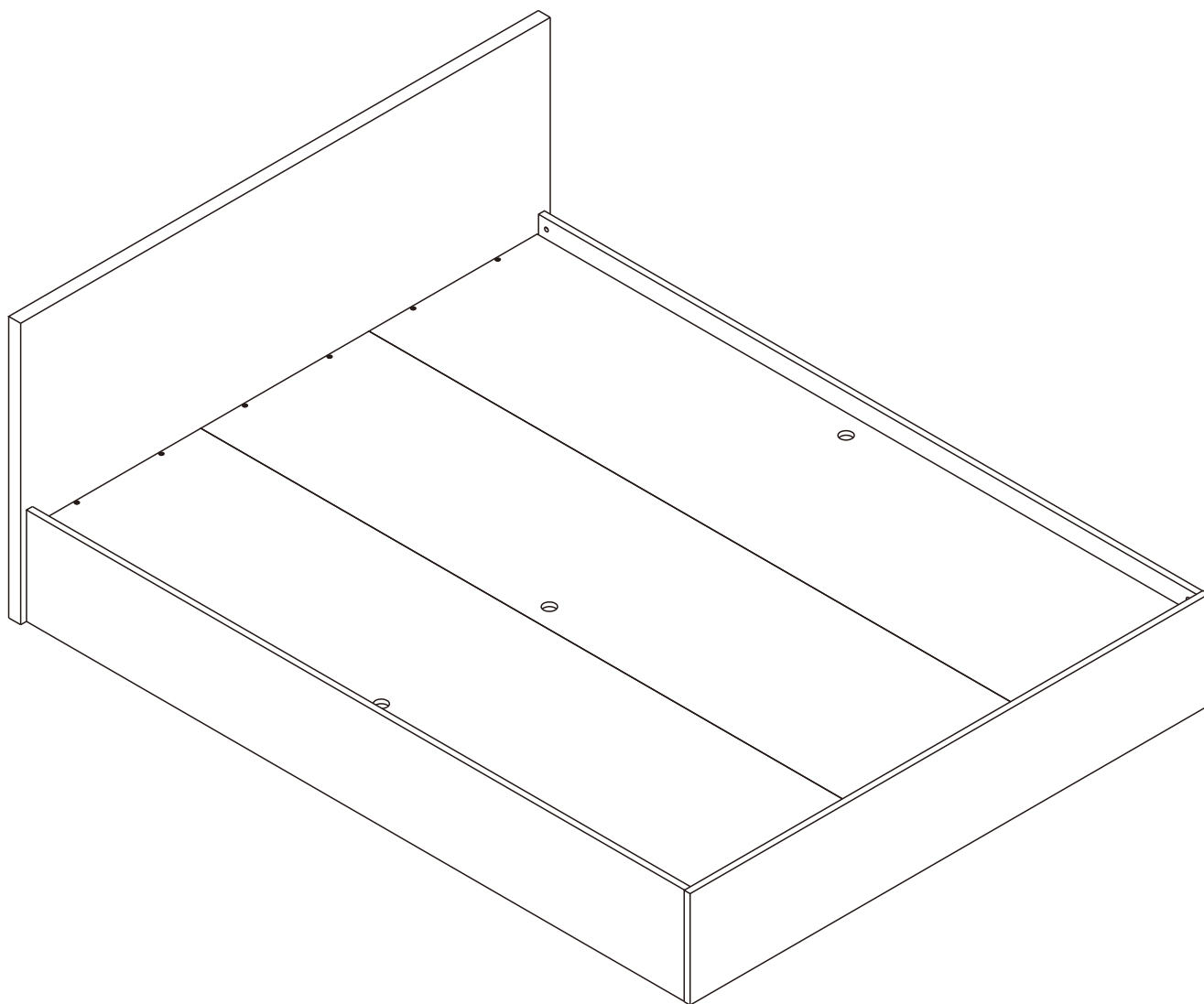
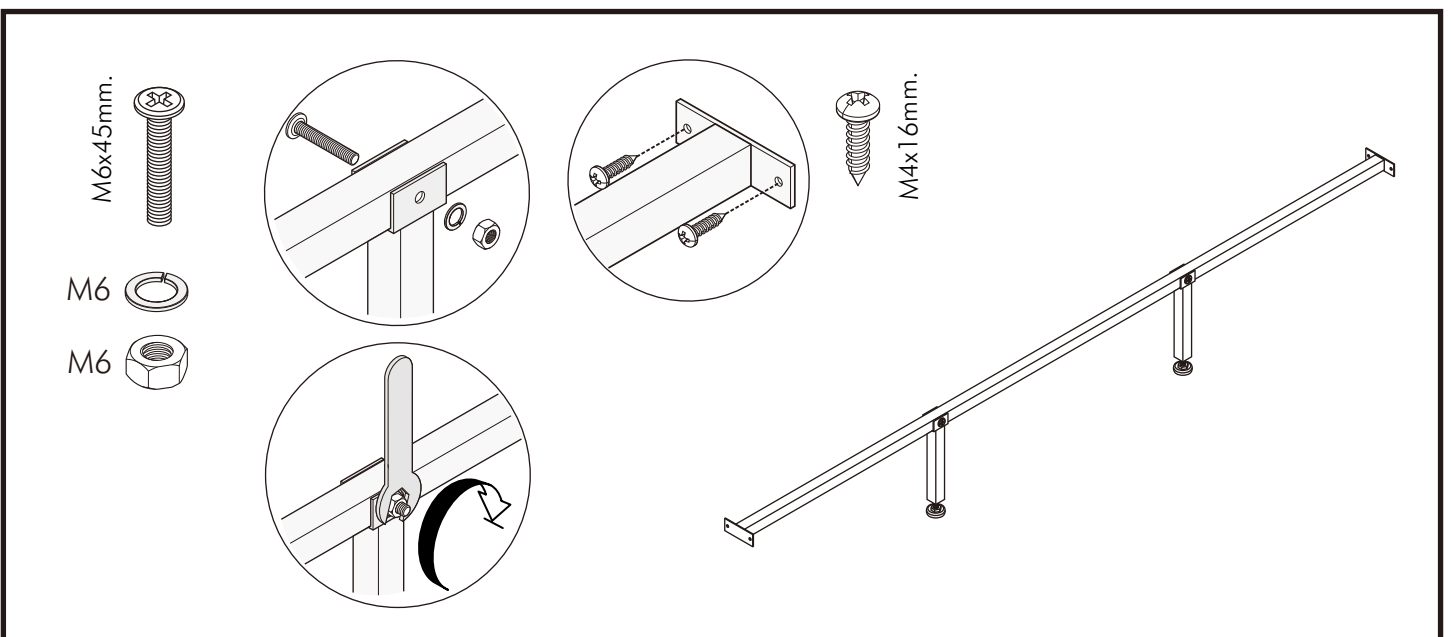
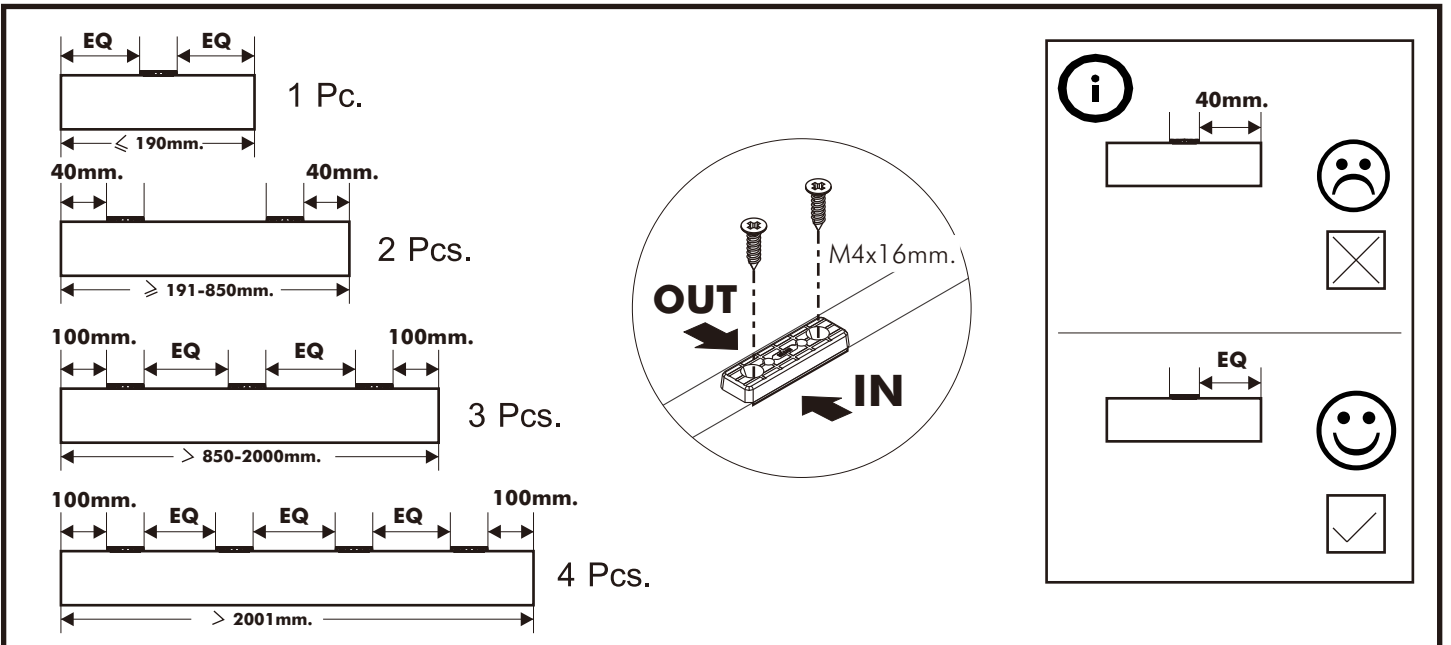
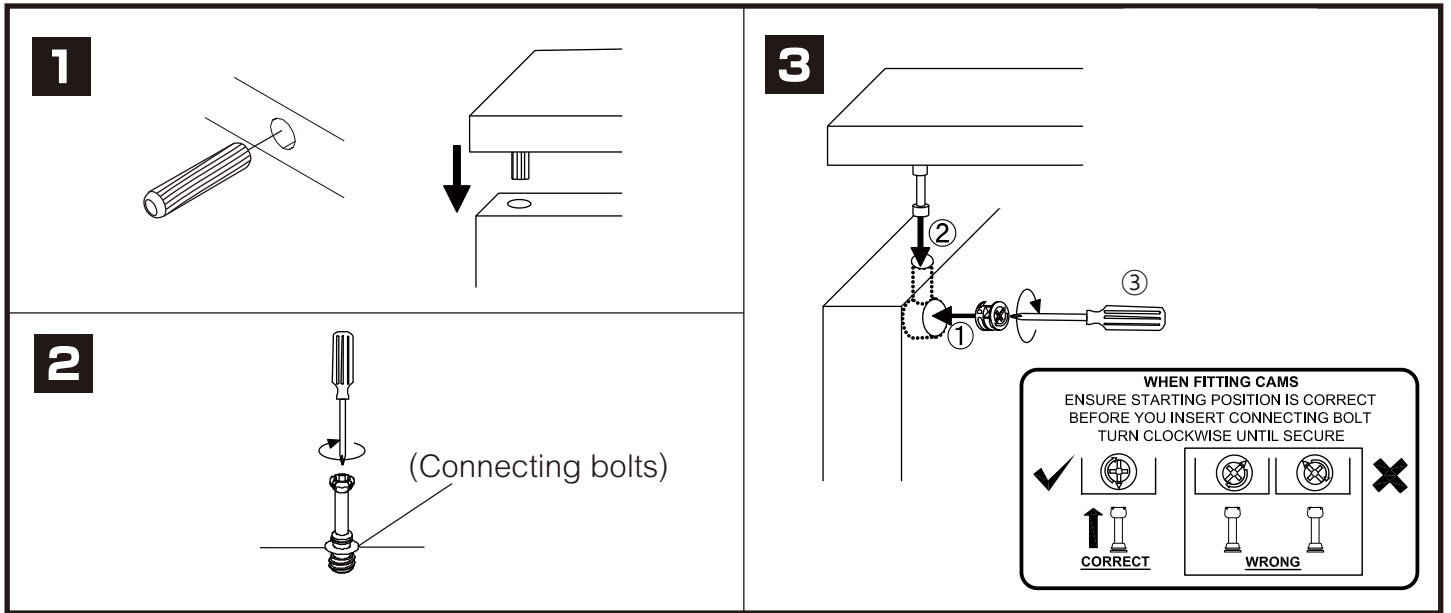


VINCE-P

Bed 5 ft.

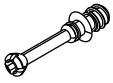


CONNECT SYSTEM



HARDWARE

-BODY SET

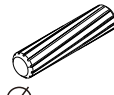


x 4



19 mm.

x 4



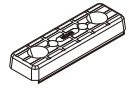
8*35

x 8

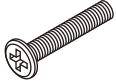


C/B P+4x16

x 19



x 12



TF+M6x45

x 4



#M6

x 4



#M6

x 4



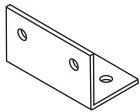
C/B F+M4x30

x 48

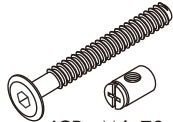


No.10

x 1



x 2



JCB+M6x70

x 6



No.1

x 3



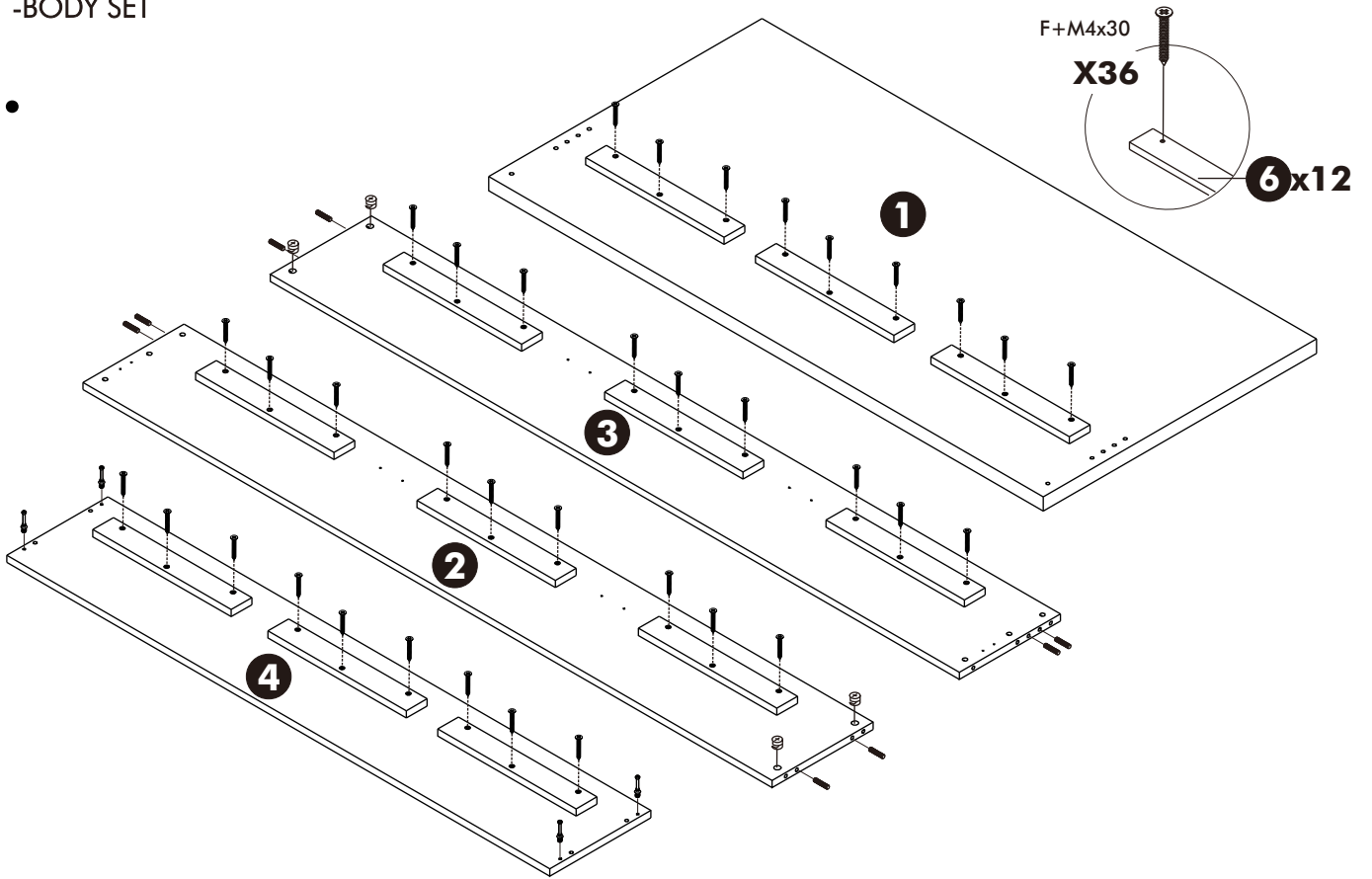
#F+M4x16

x 24

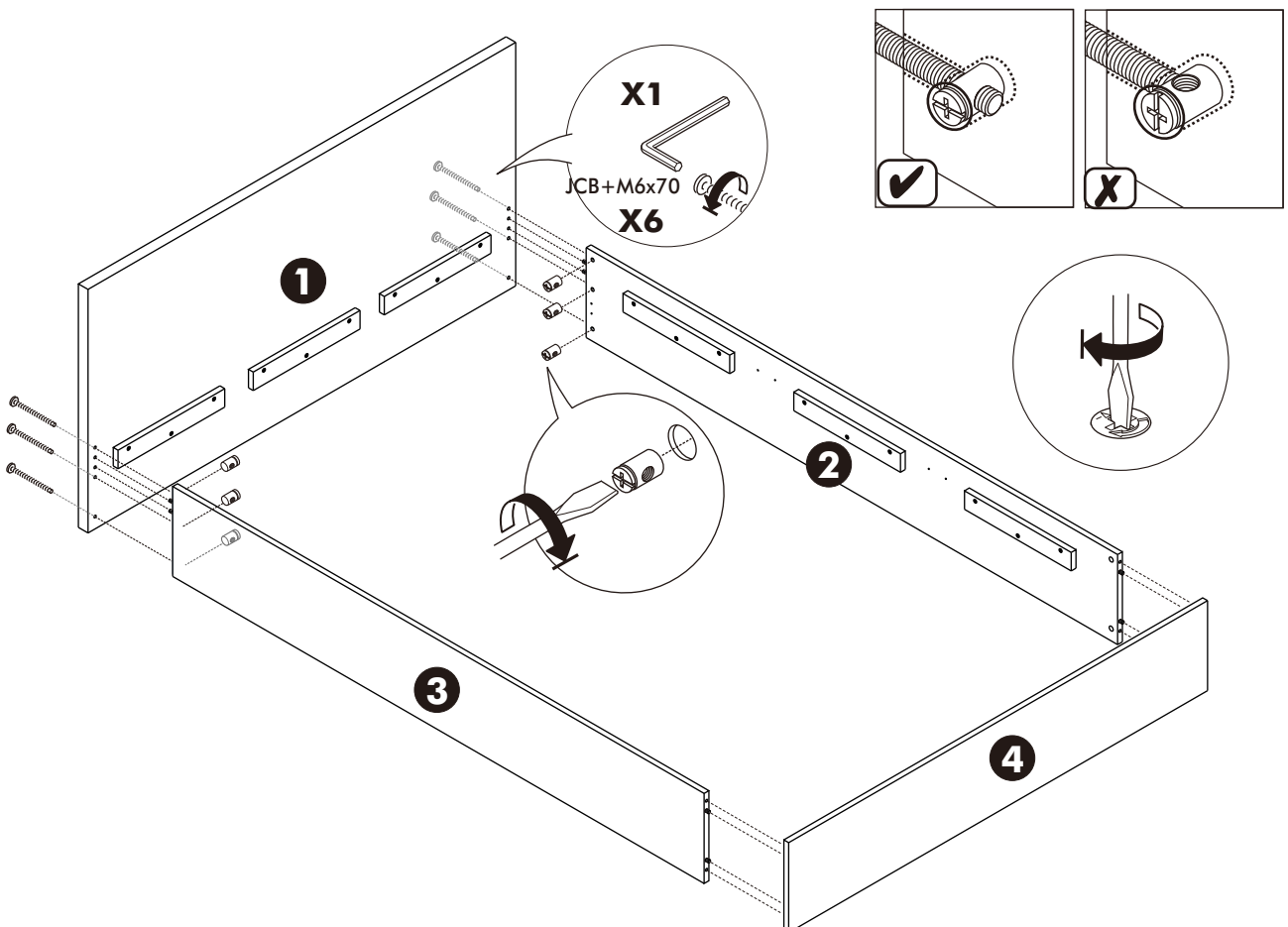
ASSEMBLY

-BODY SET

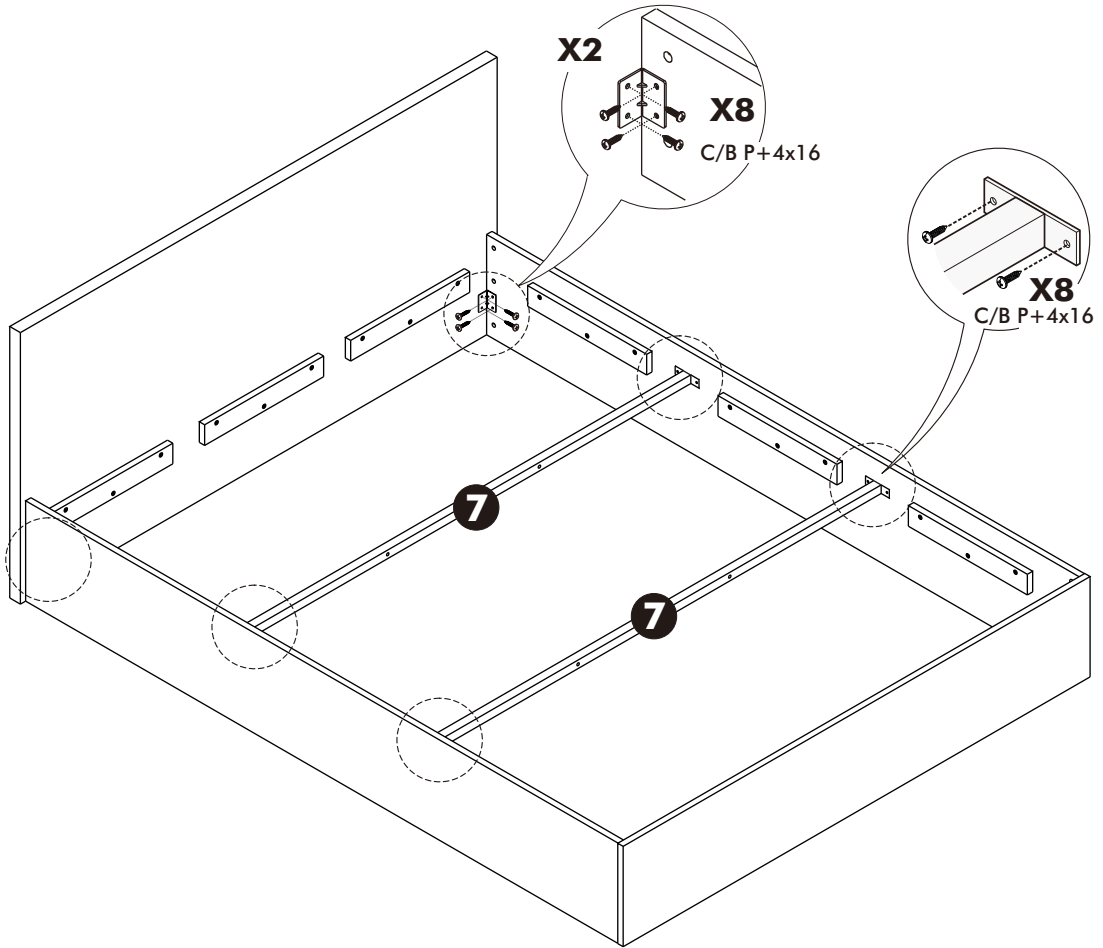
1.



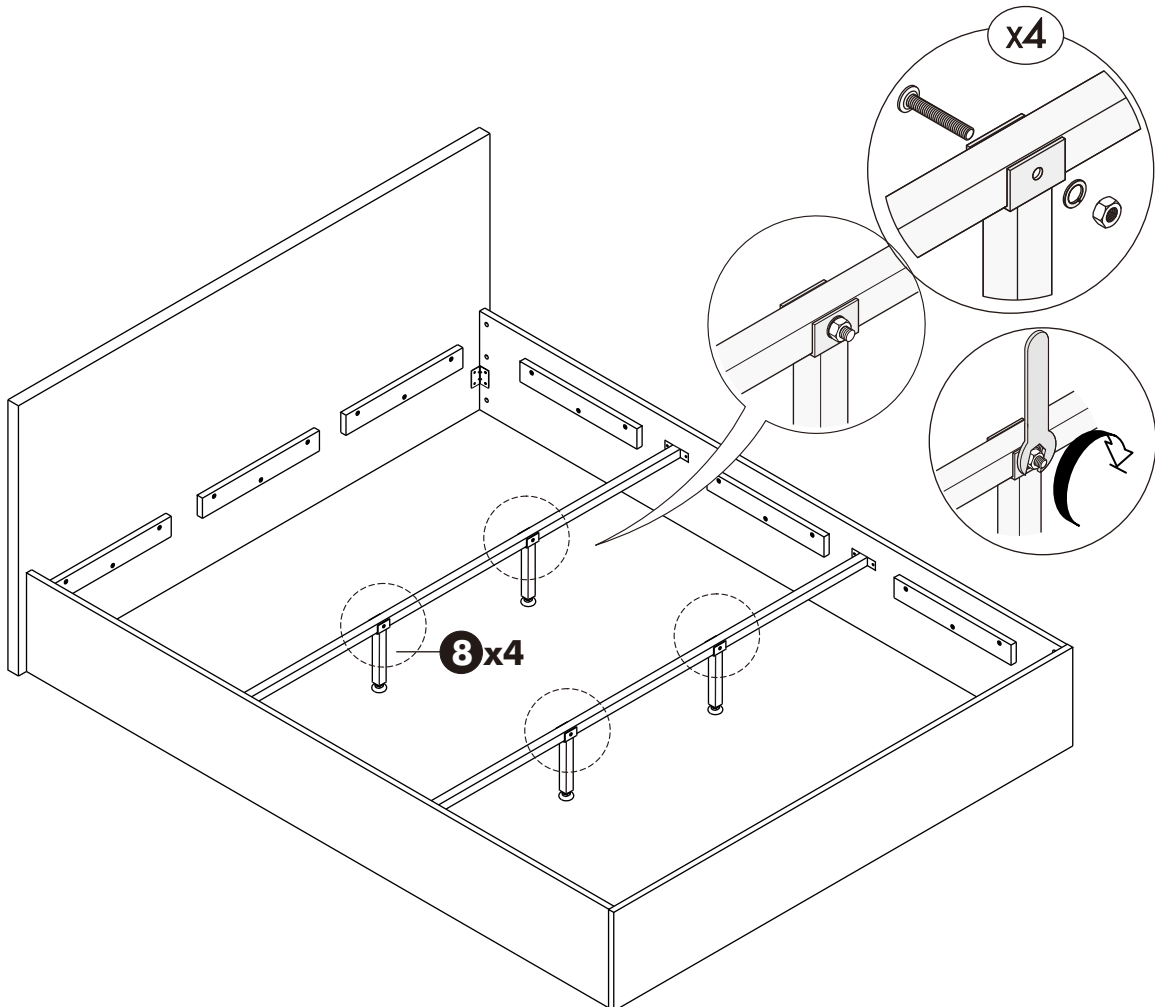
2.



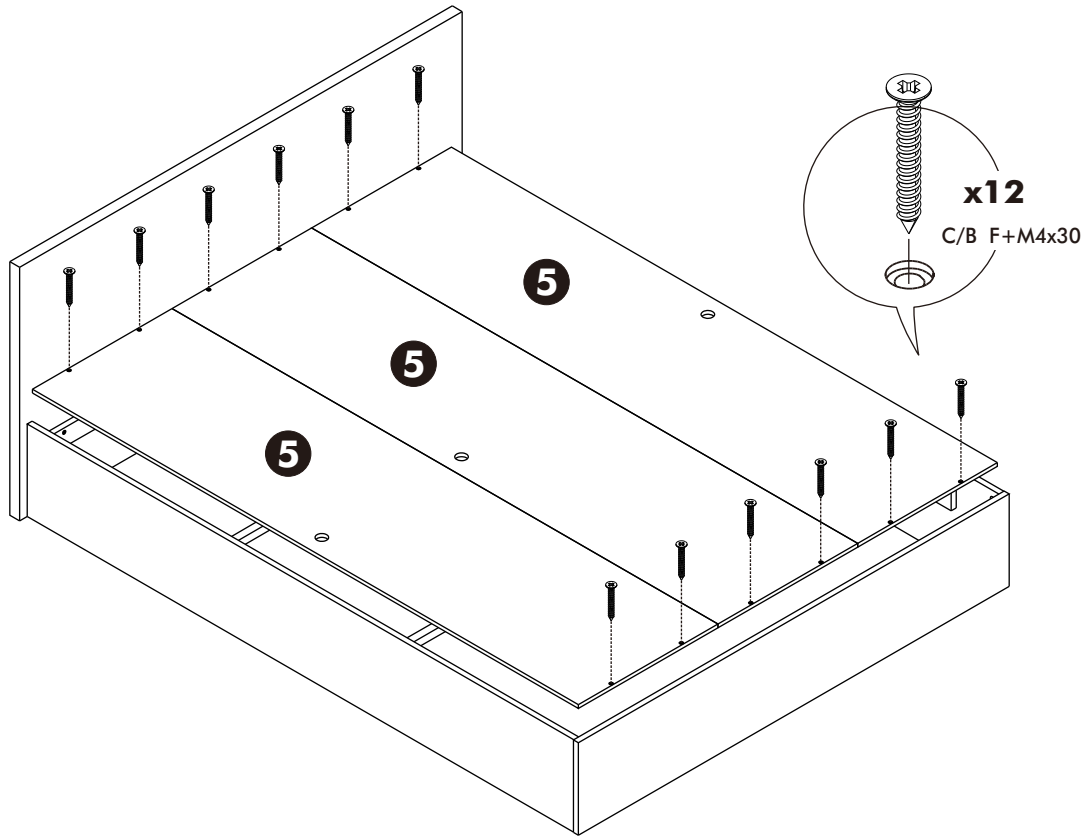
3.



4.



5.



6.

