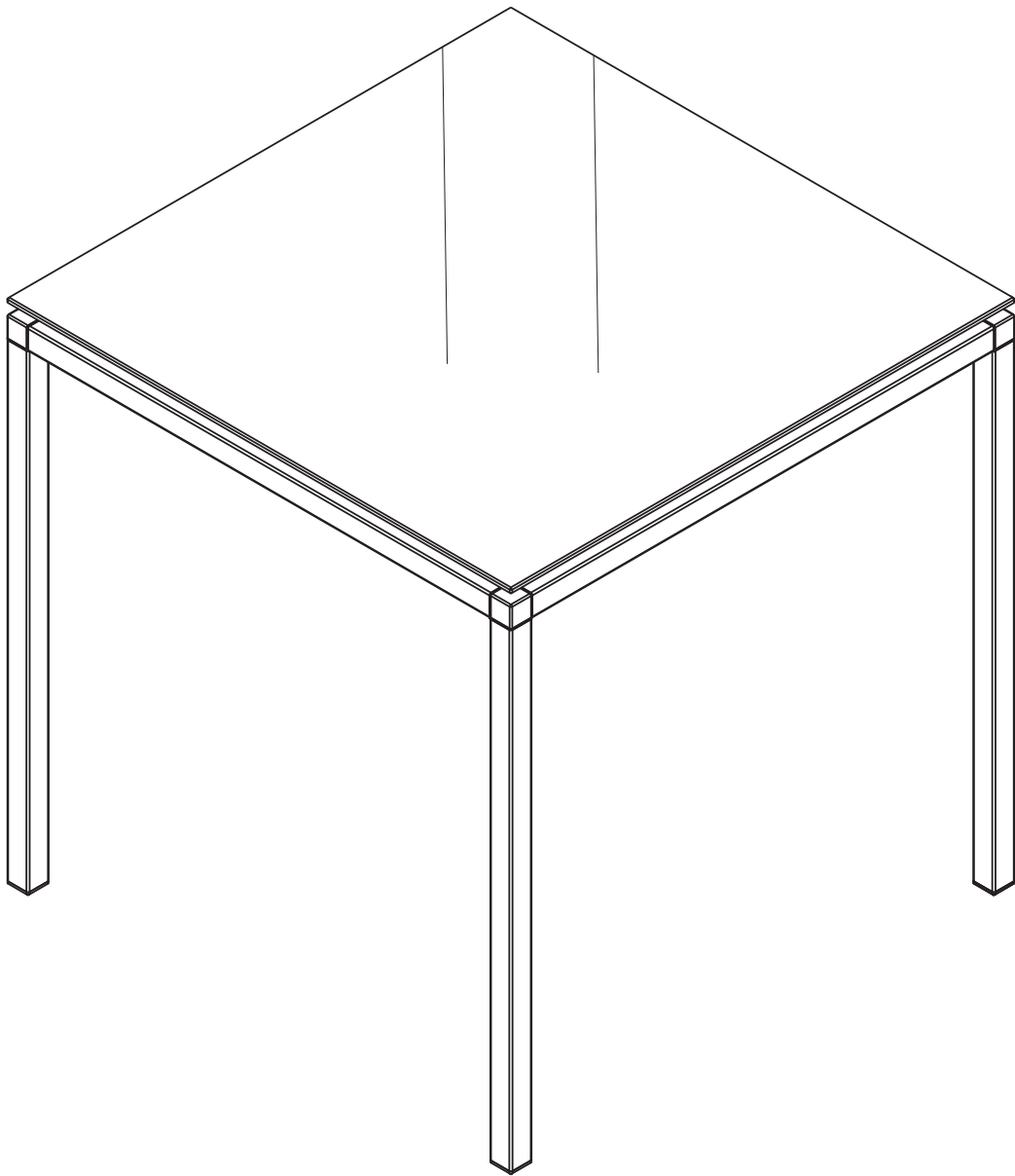


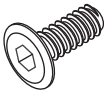
# DANAIL/P

Dining Table /75



# HARDWARE

## -BODY SET



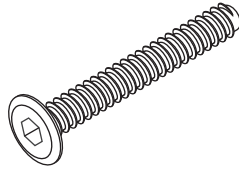
M6x15mm.

**x 8**



M6

**x 8**

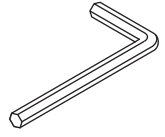


M8x45mm.

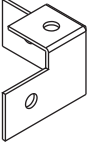
**x 8**



**x 4**



**x 1**



**x 4**



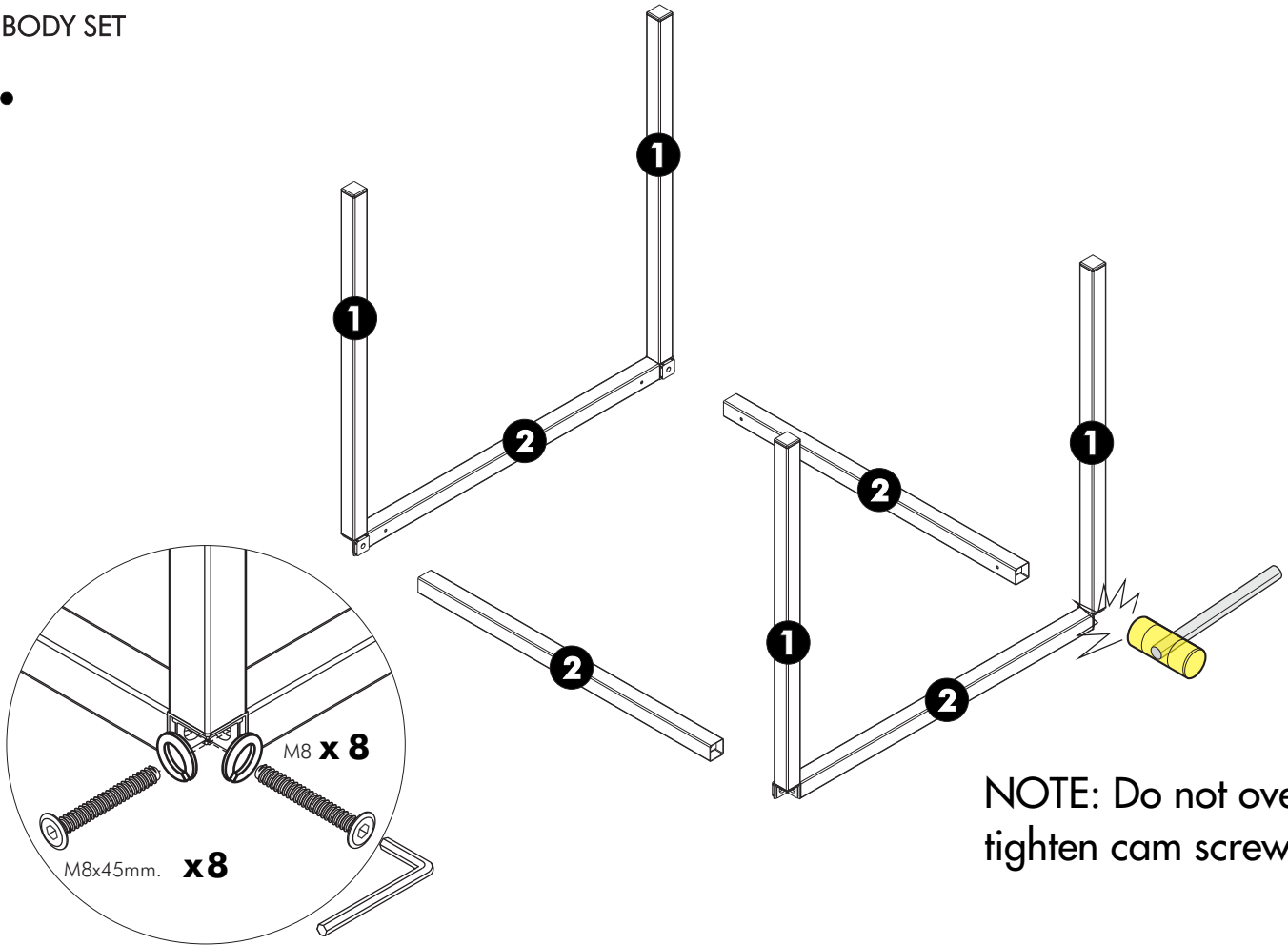
M8

**x 8**

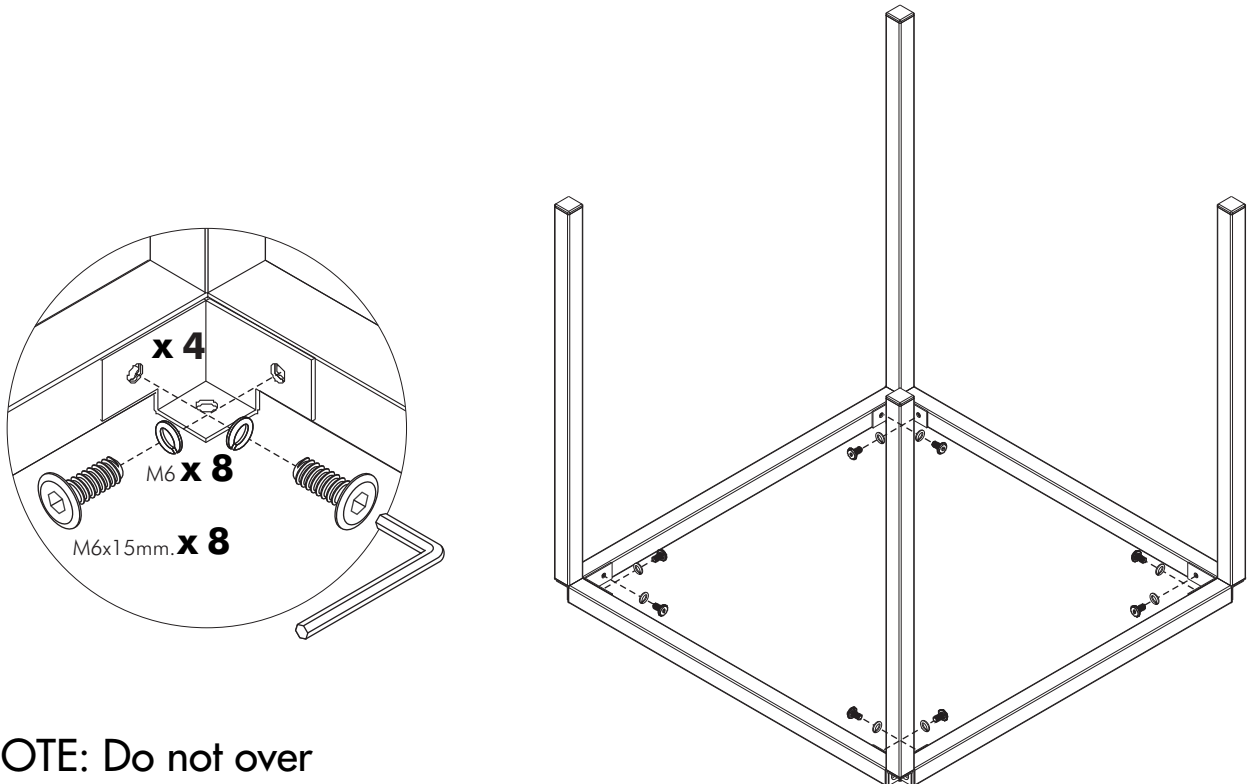
# ASSEMBLY

-BODY SET

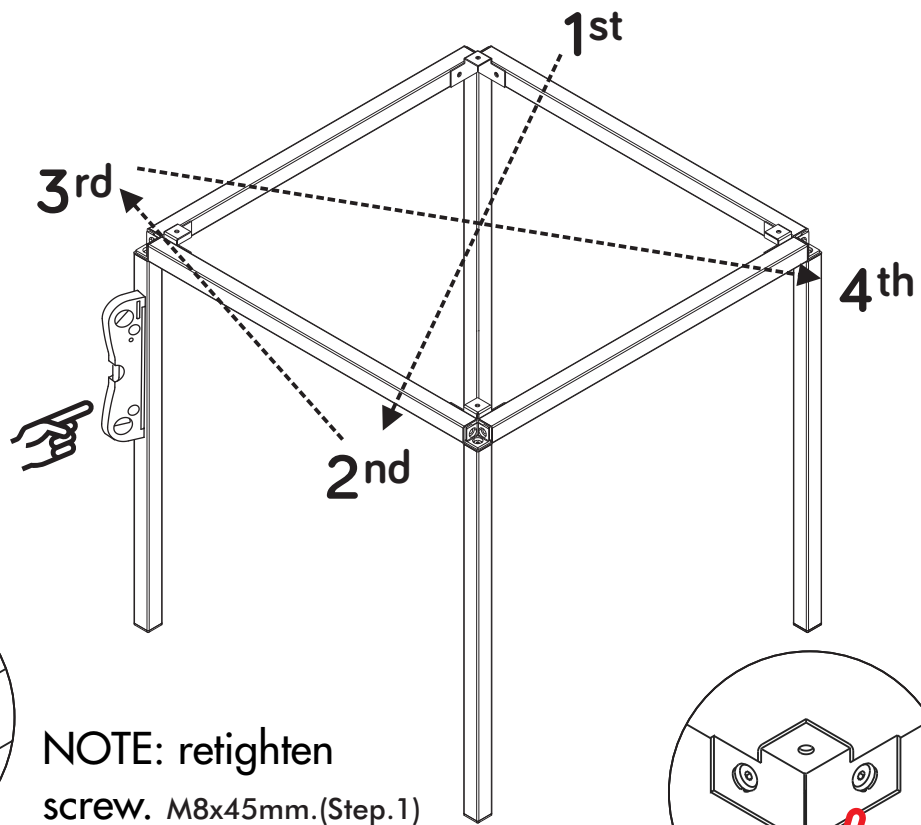
**1.**



**2.**



**3.**



NOTE: retighten  
screw. M8x45mm.(Step.1)

NOTE: retighten  
screw. M6x15mm.(Step.2)

**4.**

