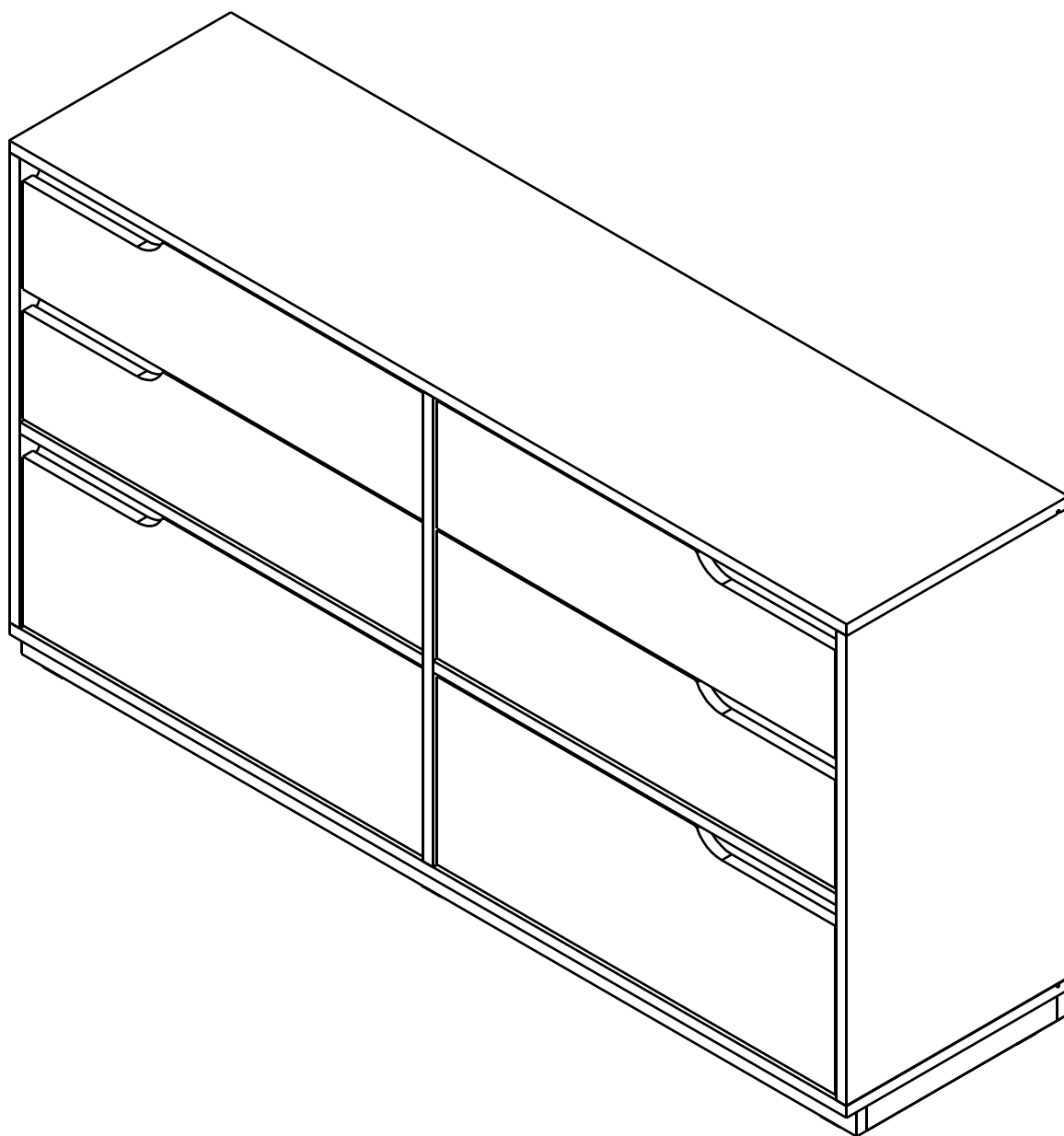
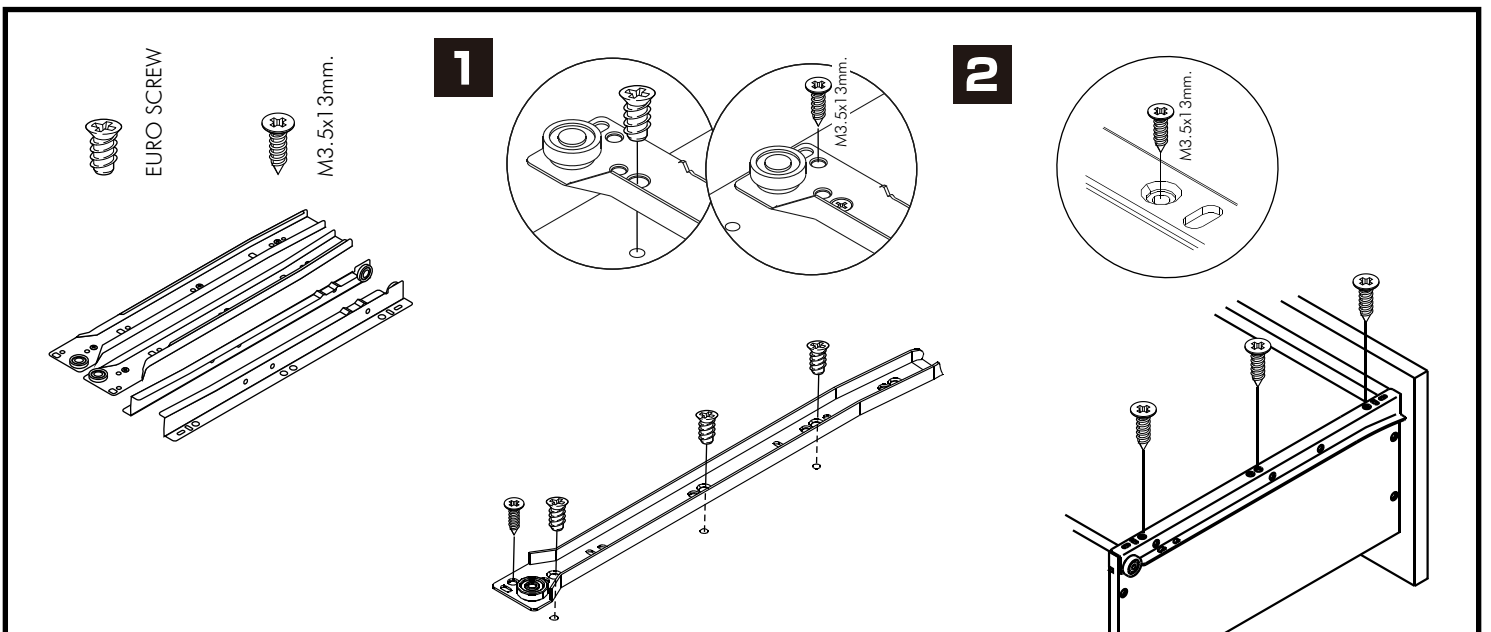
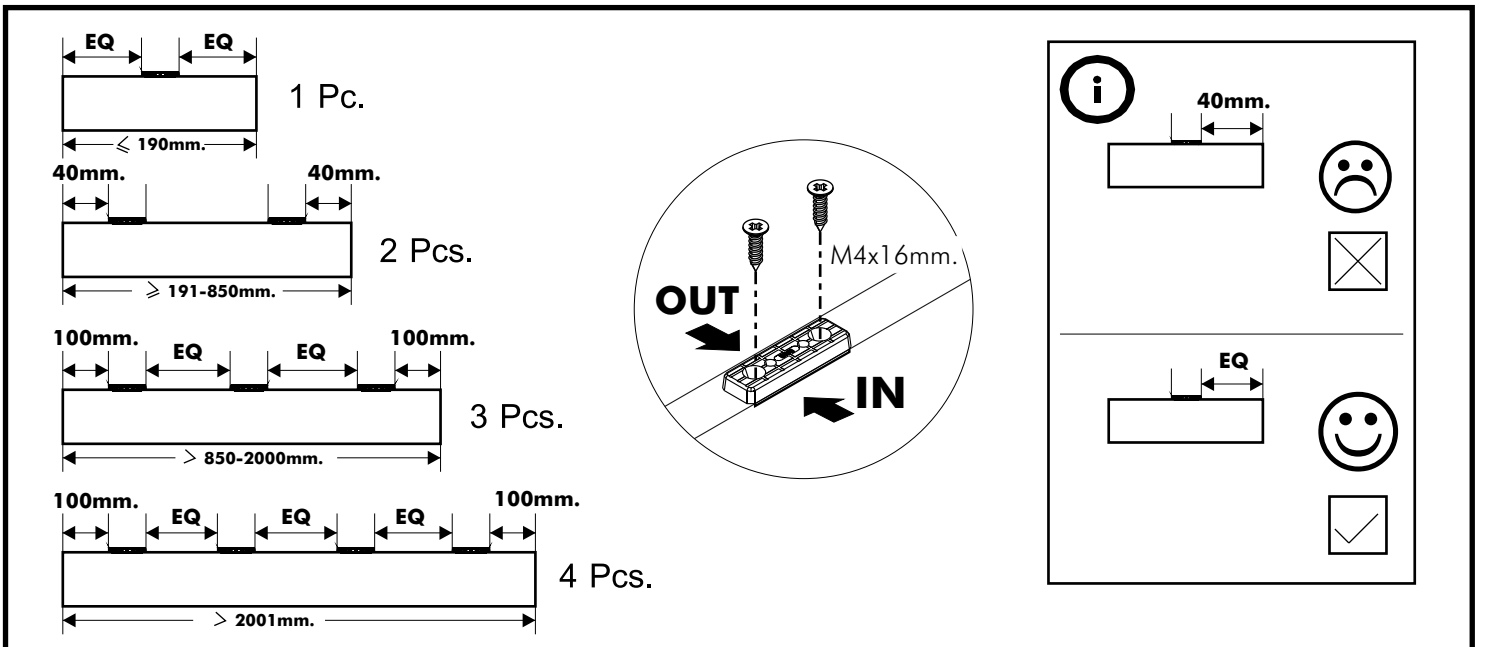
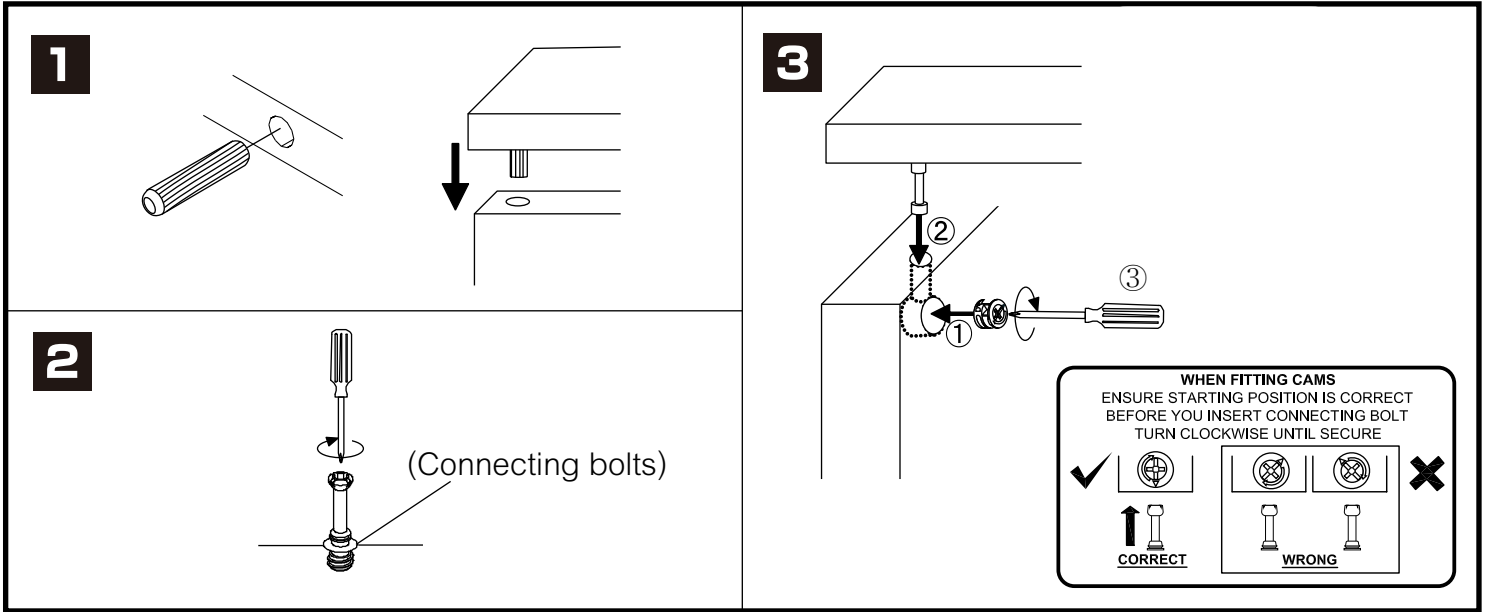


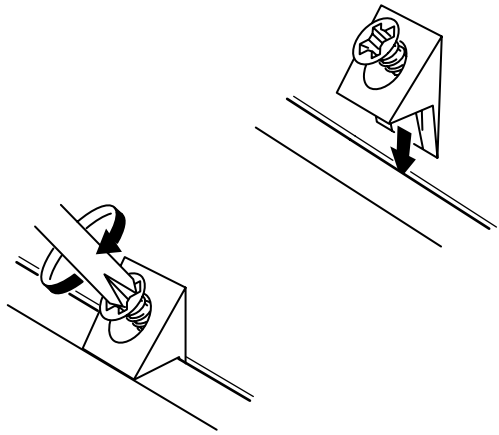
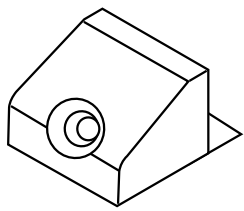
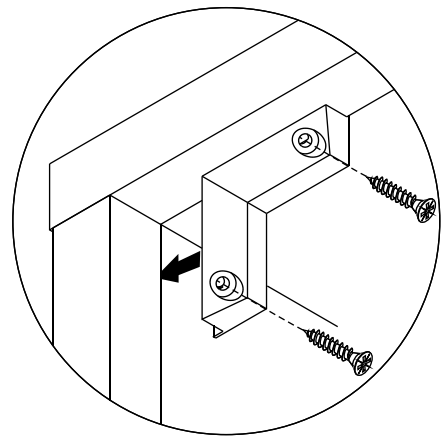
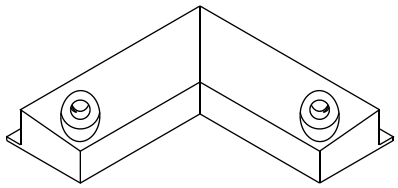
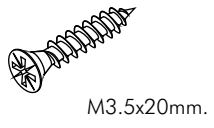
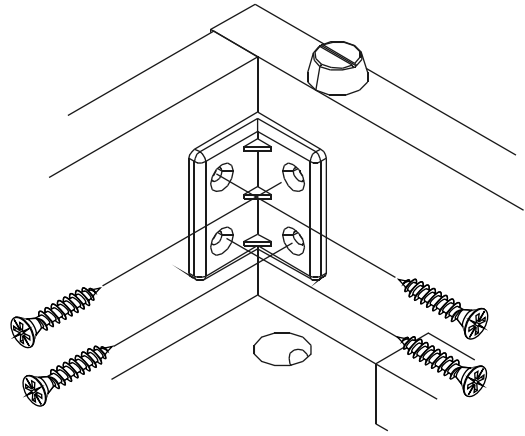
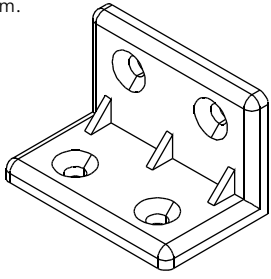
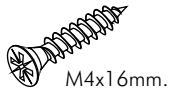
KARLSTAD

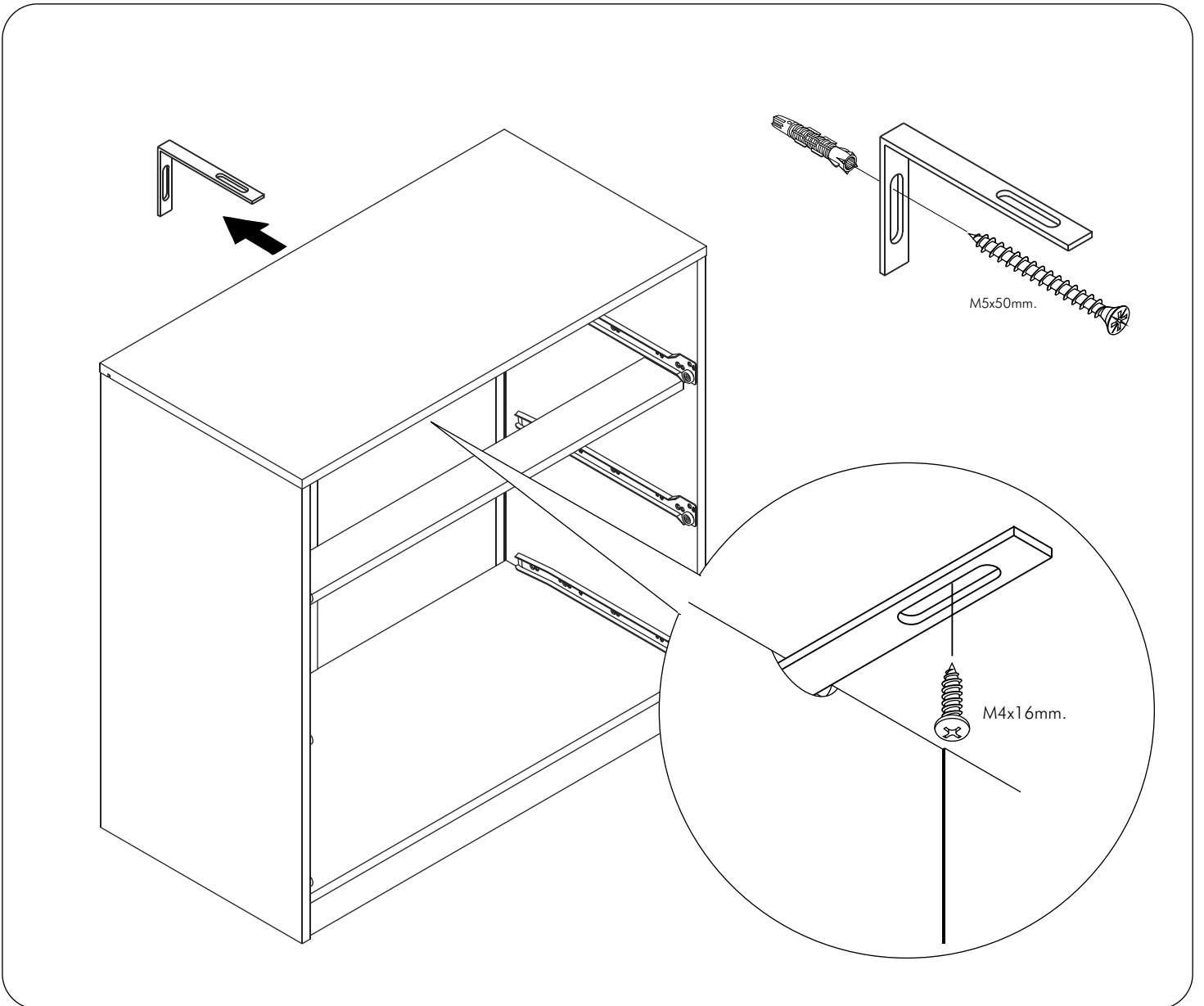
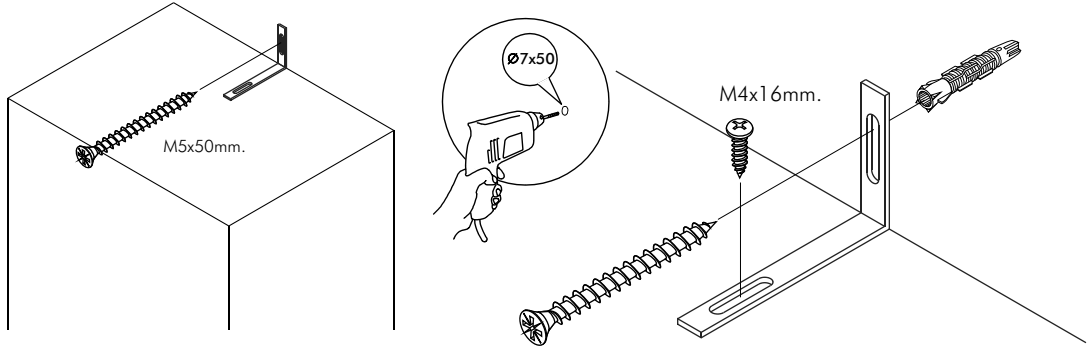
Low chest 6 drawers



CONNECT SYSTEM

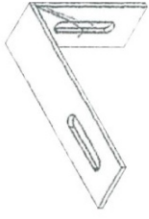




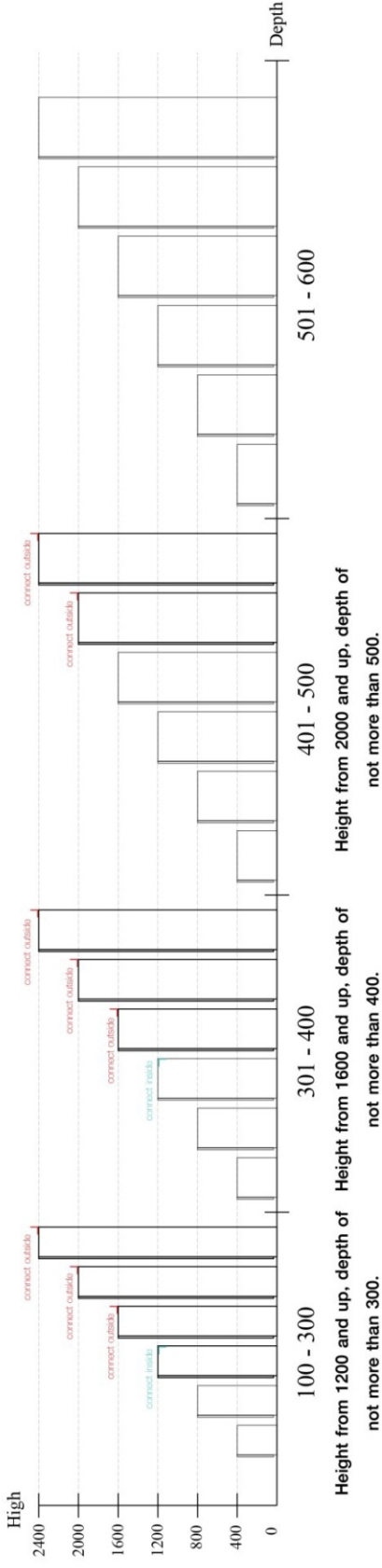


The Standard for identifying which mounted safety fall protection fitting to use **Note : That children's products must be installed with all anti-falling fittings.**

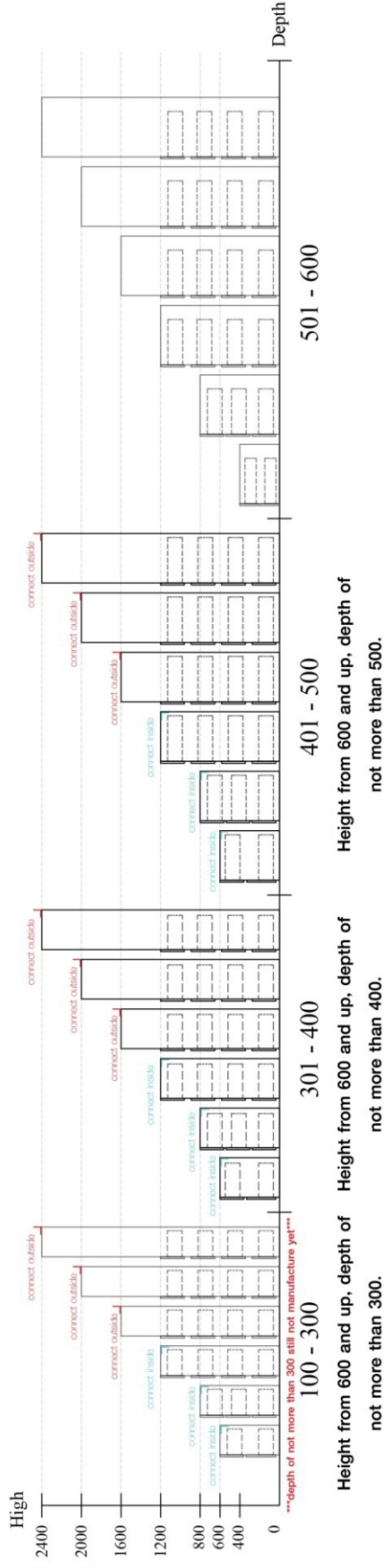
■ Mounted fall protection fittings



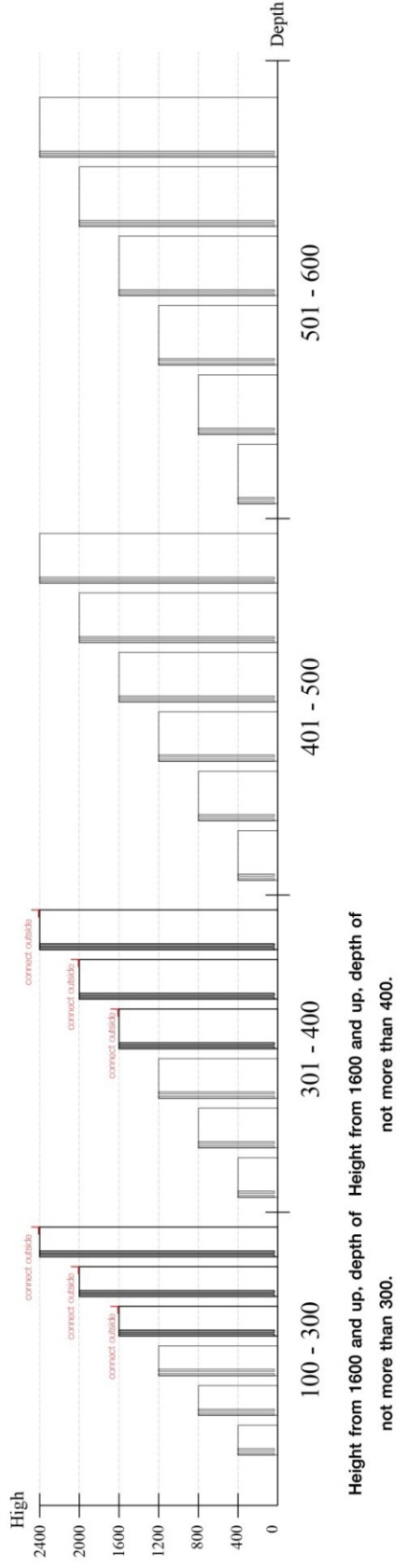
■ Category : Cabinet with open doors



■ Category : Chest of drawers

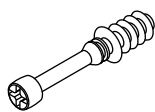


■ Category : Sliding door cabinet / Open cabinet



HARDWARE

-BODY SET

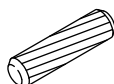


X 12



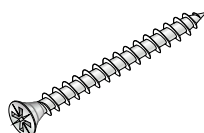
#19mm.

X 12



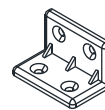
#8x35

X 24



#F+M4x50

X 8

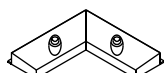


X 17



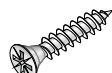
#F+M4x16

X 96



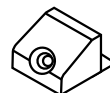
#63x63mm.

X 4



#F+M3.5x20

X 20

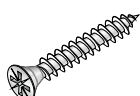


X 12



#P+M4x16

X 7



#F+M4x30

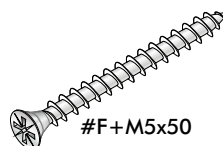
X 6



X 2

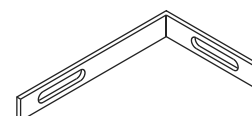


X 1



#F+M5x50

X 1



X 1

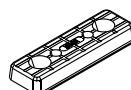


X 2

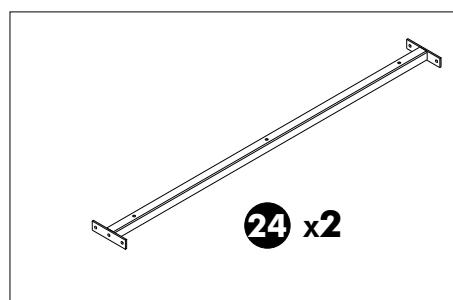


#P+M4x13

X 8

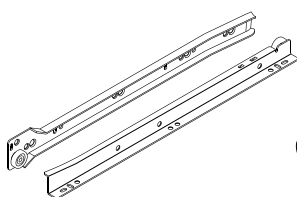


X 14

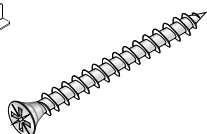


24 x2

-DRAWER SET

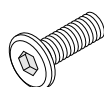


X 6



#F+M4x40

X 60



#TFL4 M6x23

X 30



#F+M3.5x13

X 48

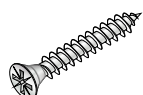


#M5x10

X 36



X 1



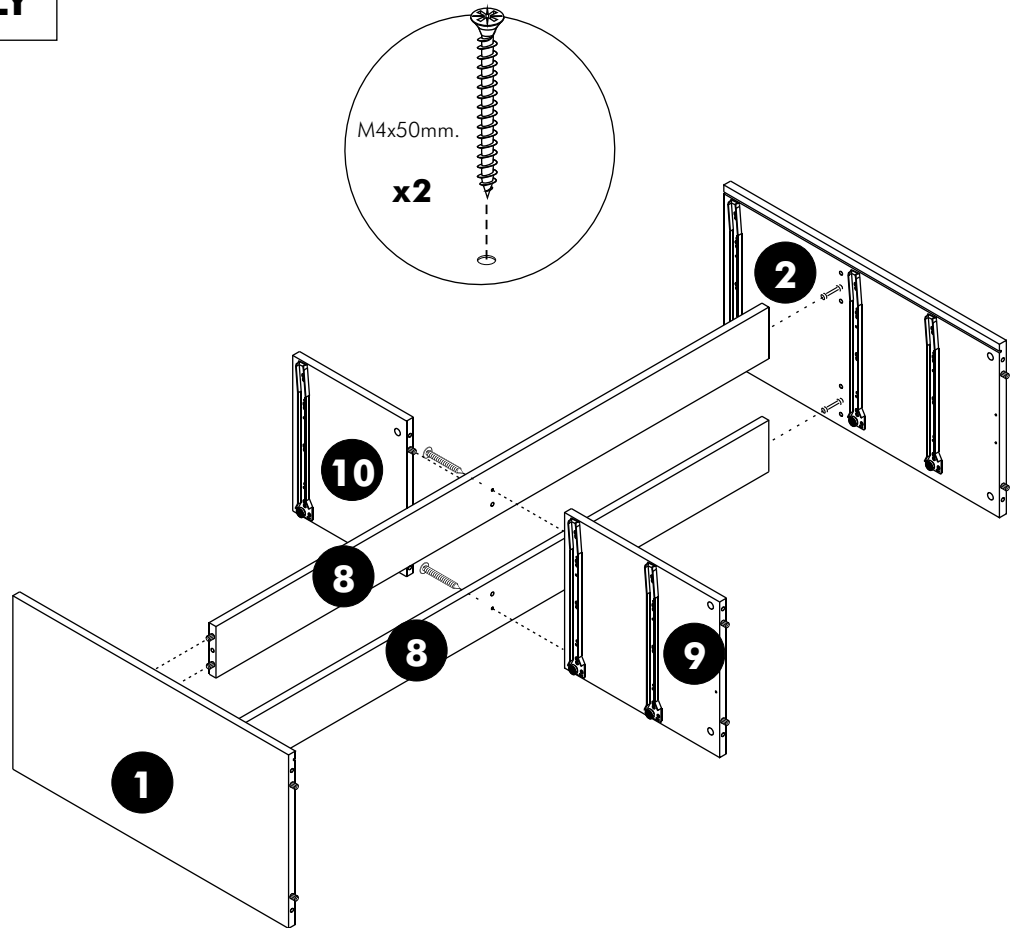
#F+M4x30 (BLACK)

X 18

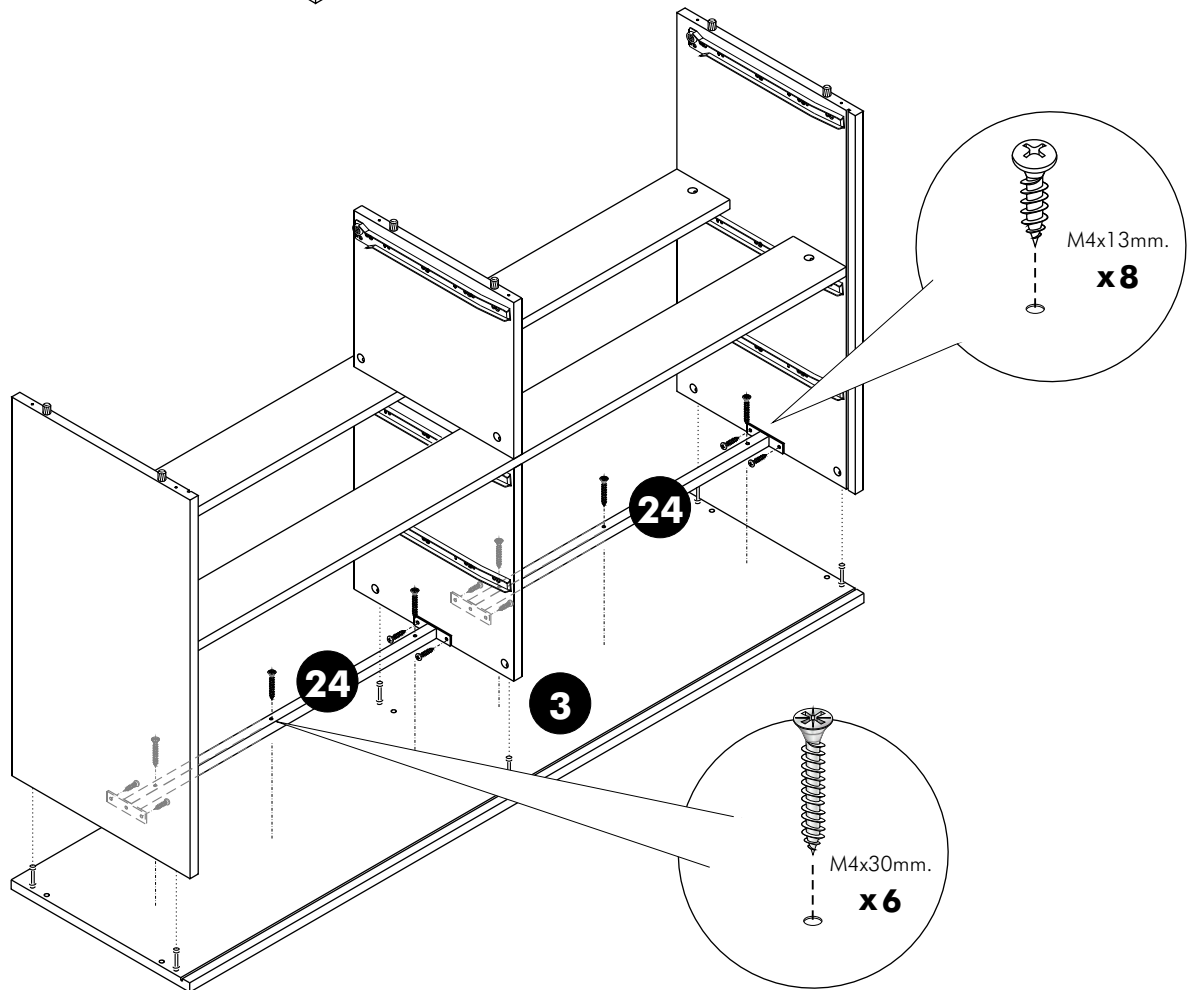
1.

ASSEMBLY

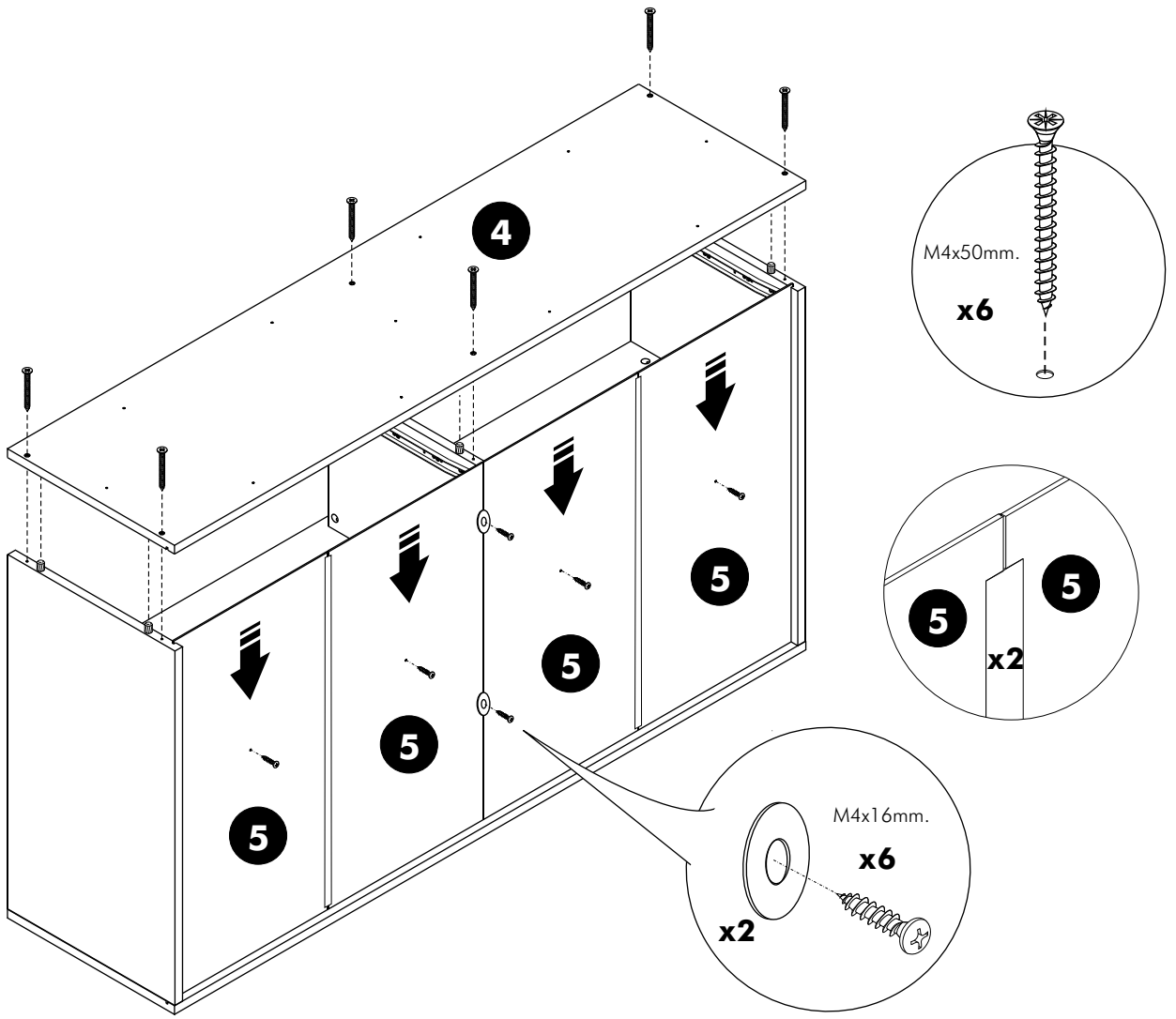
-BODY SET



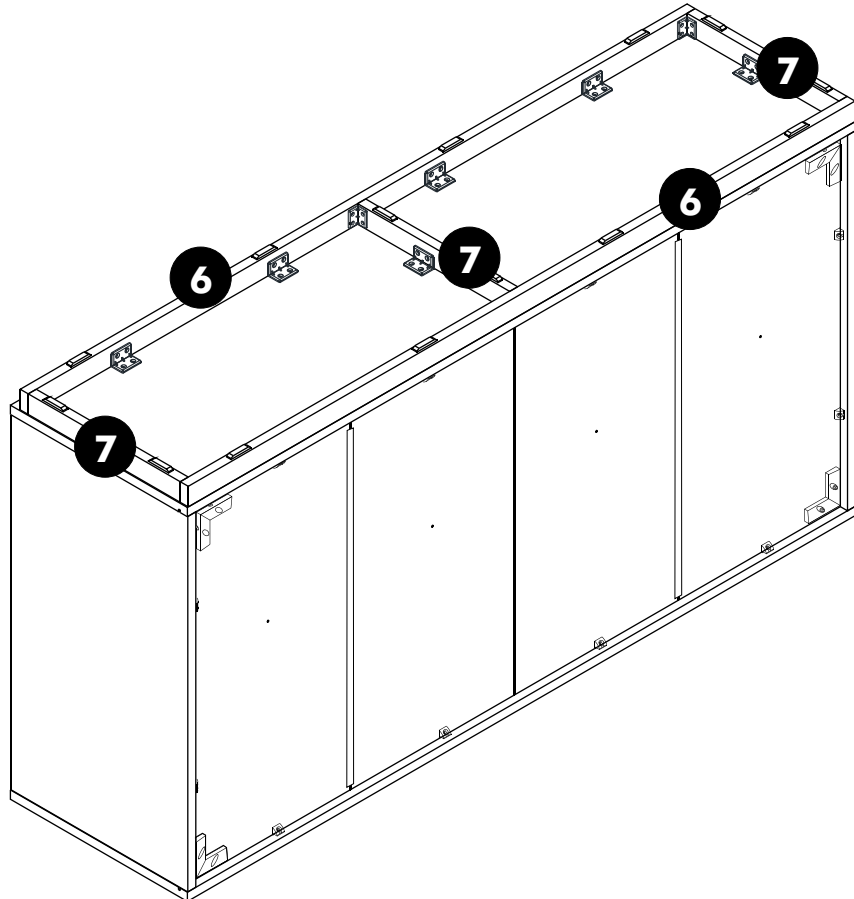
2.



3.



4.



ASSEMBLY

-DRAWER SET

