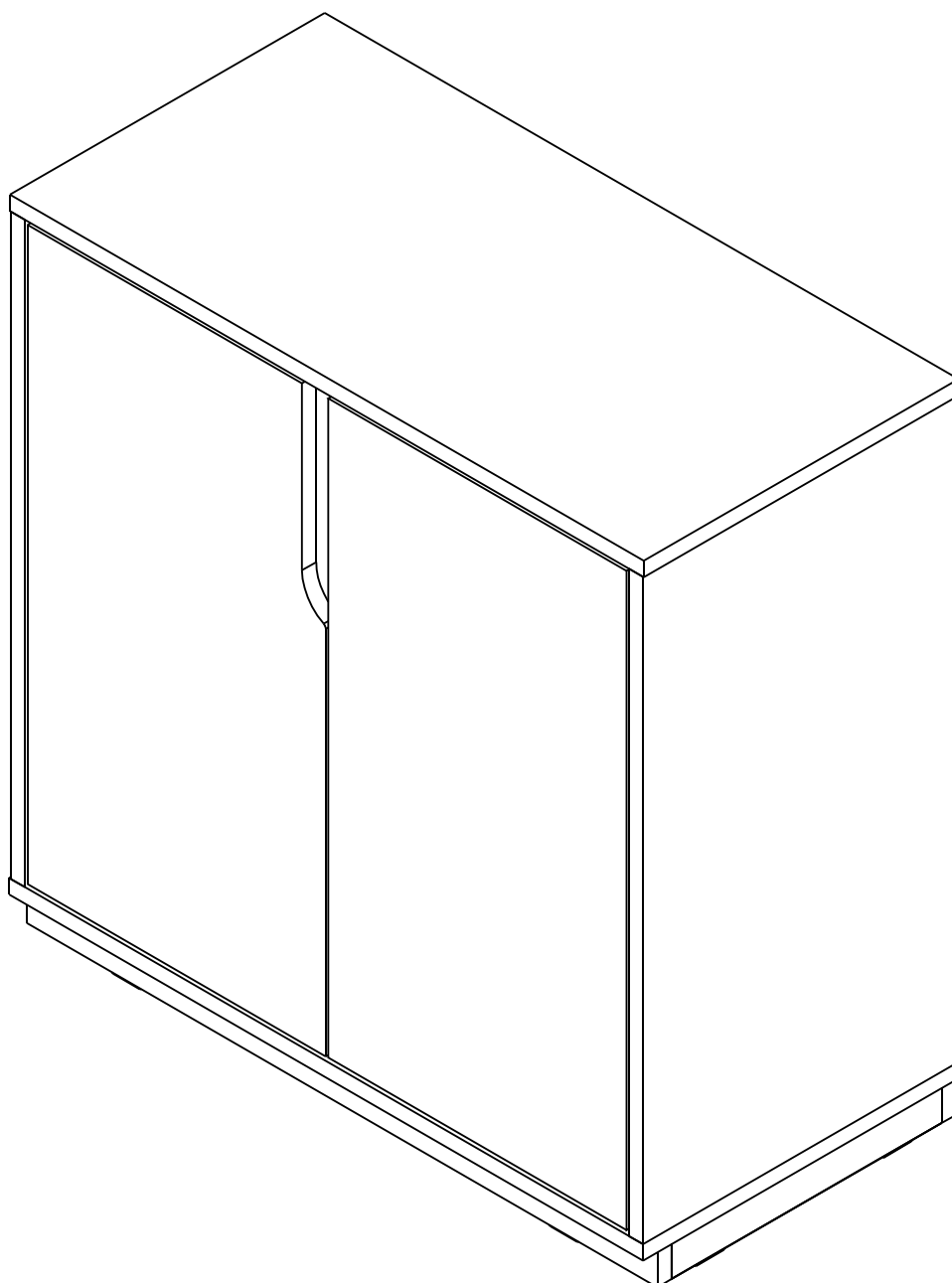
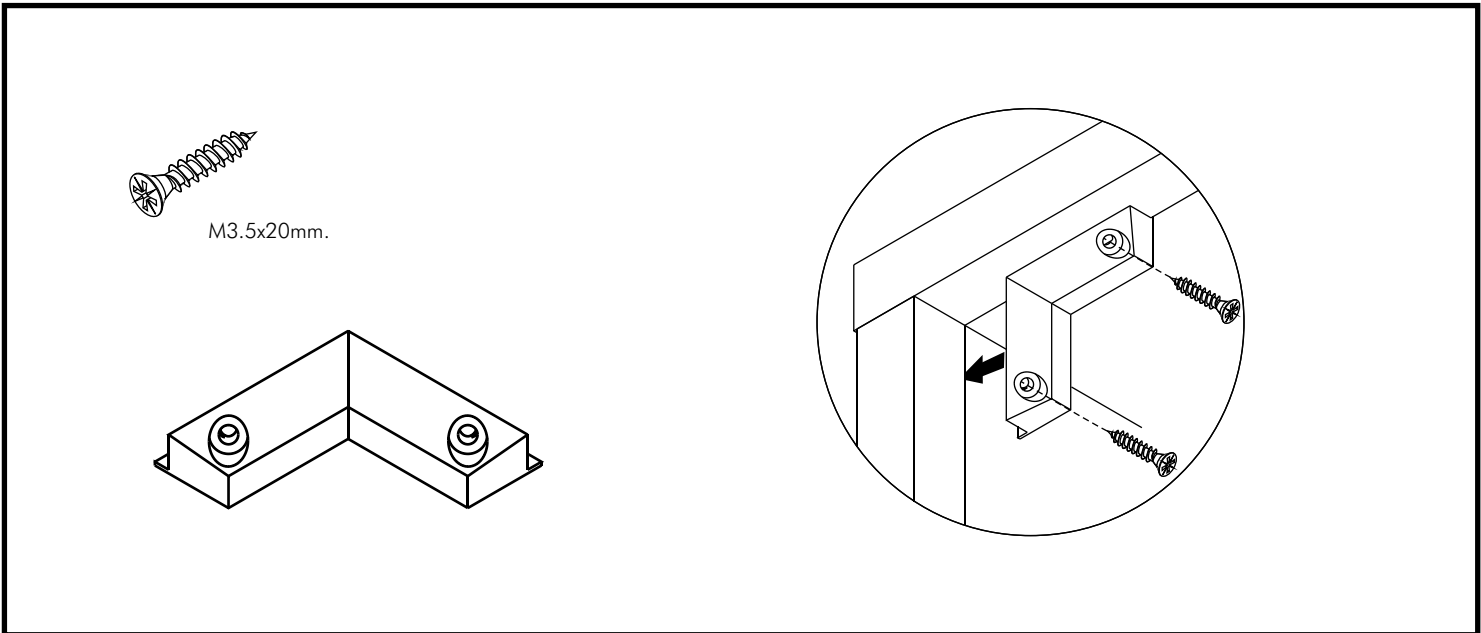
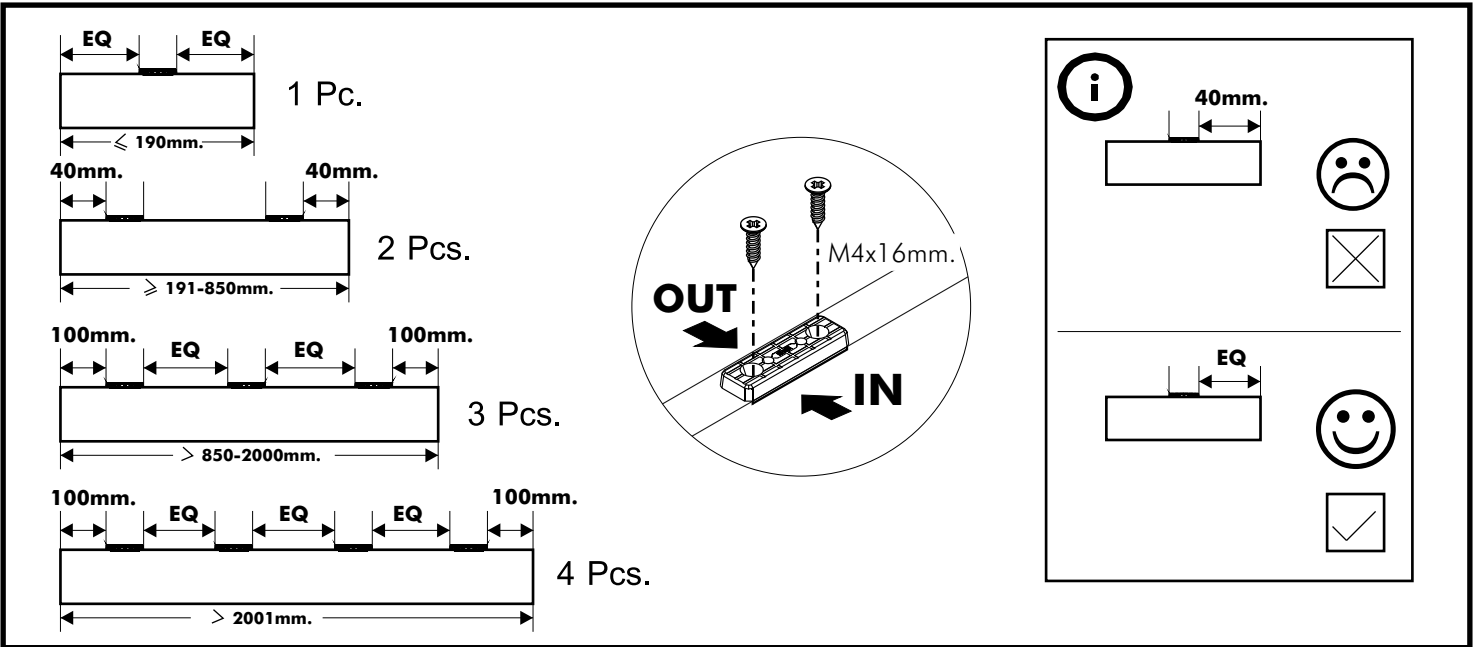
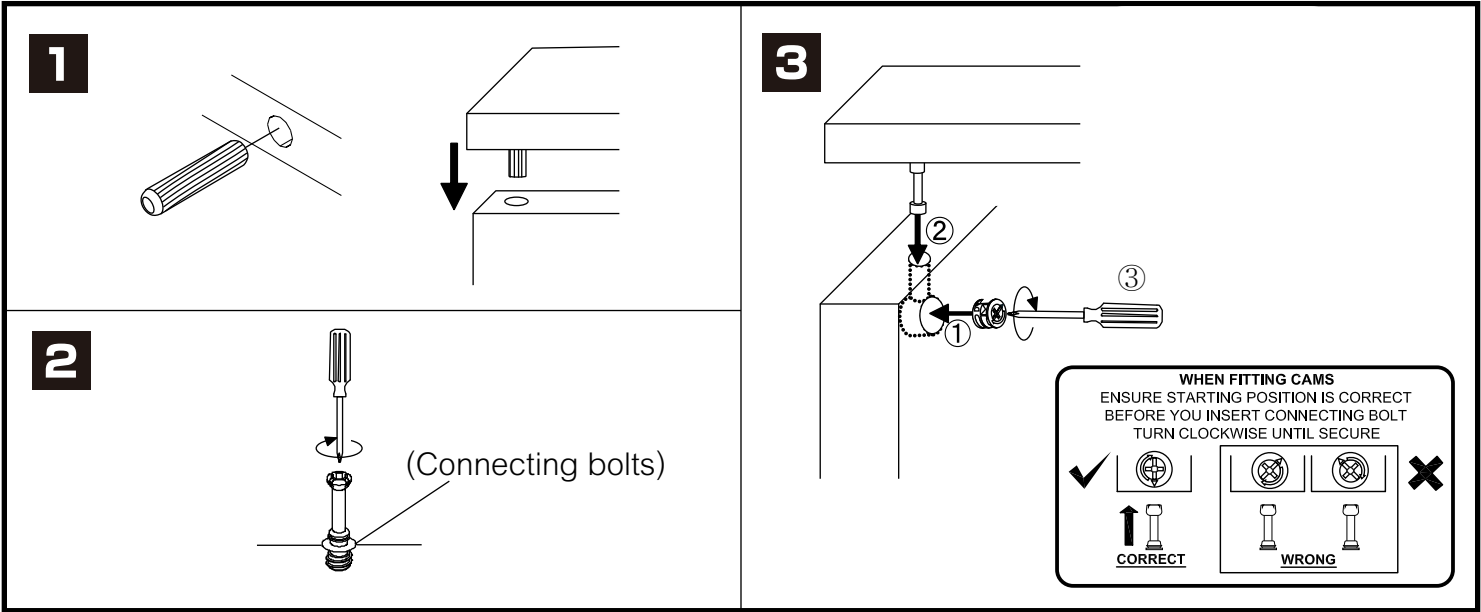


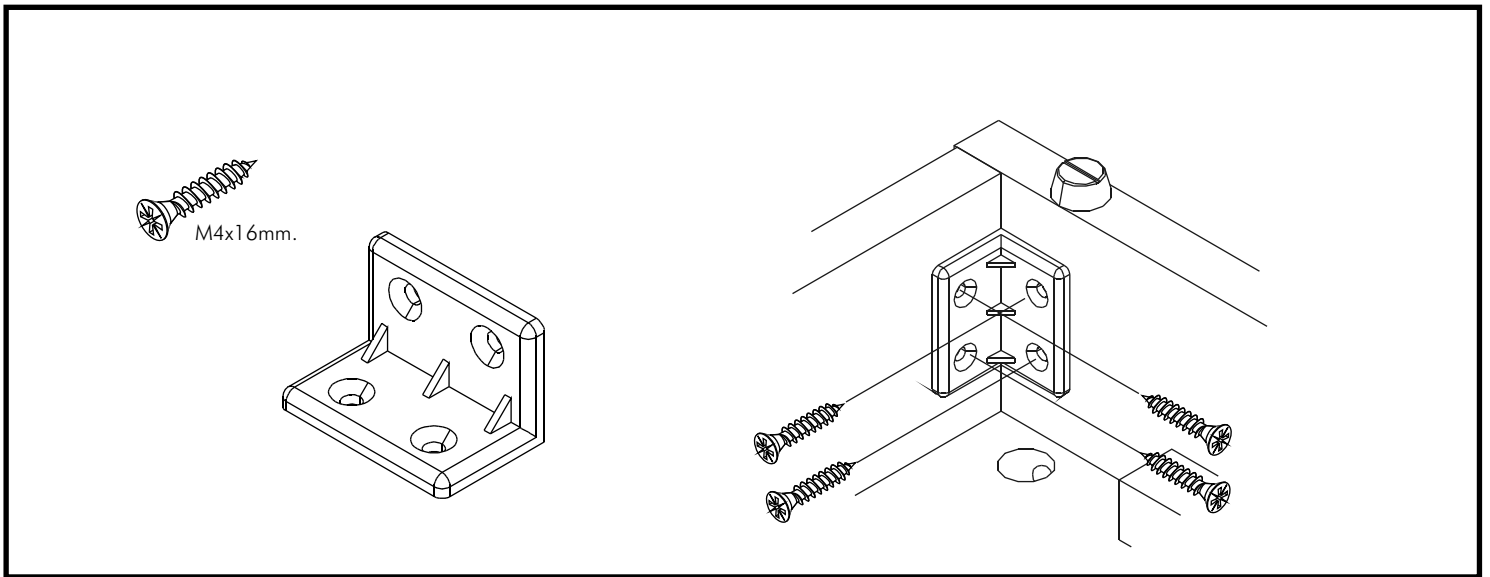
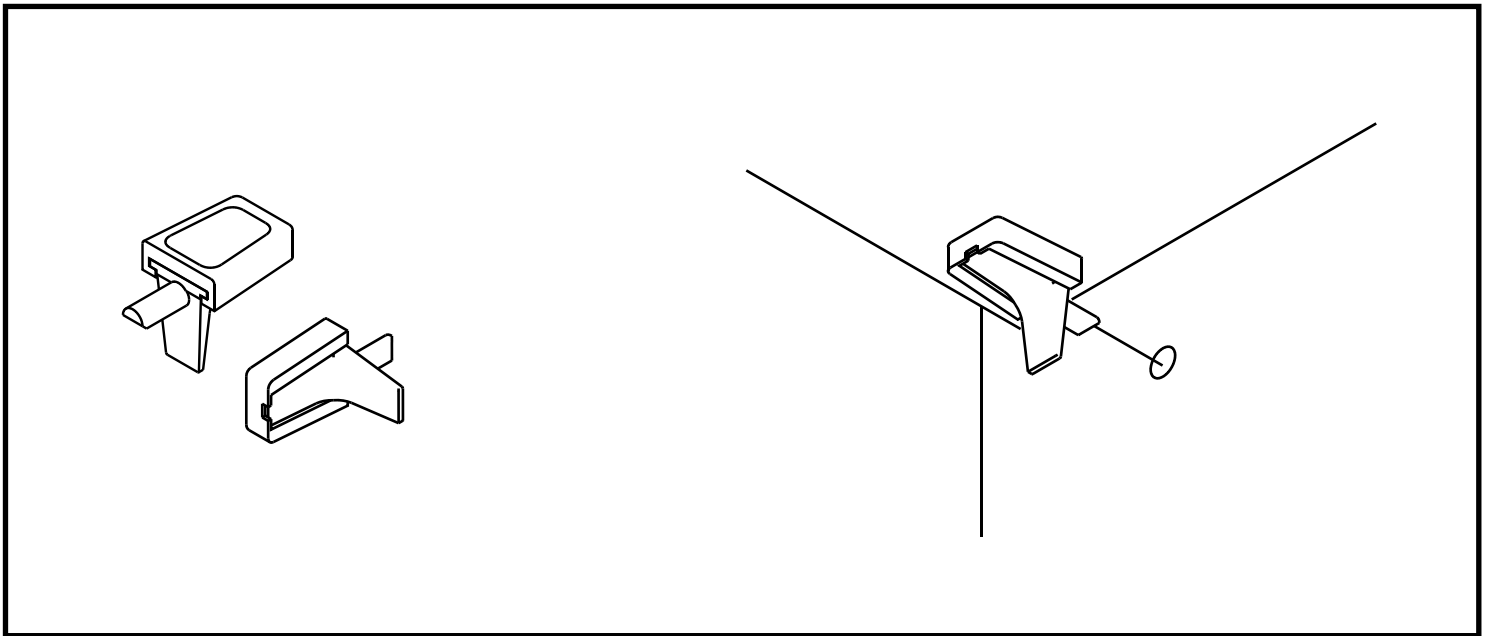
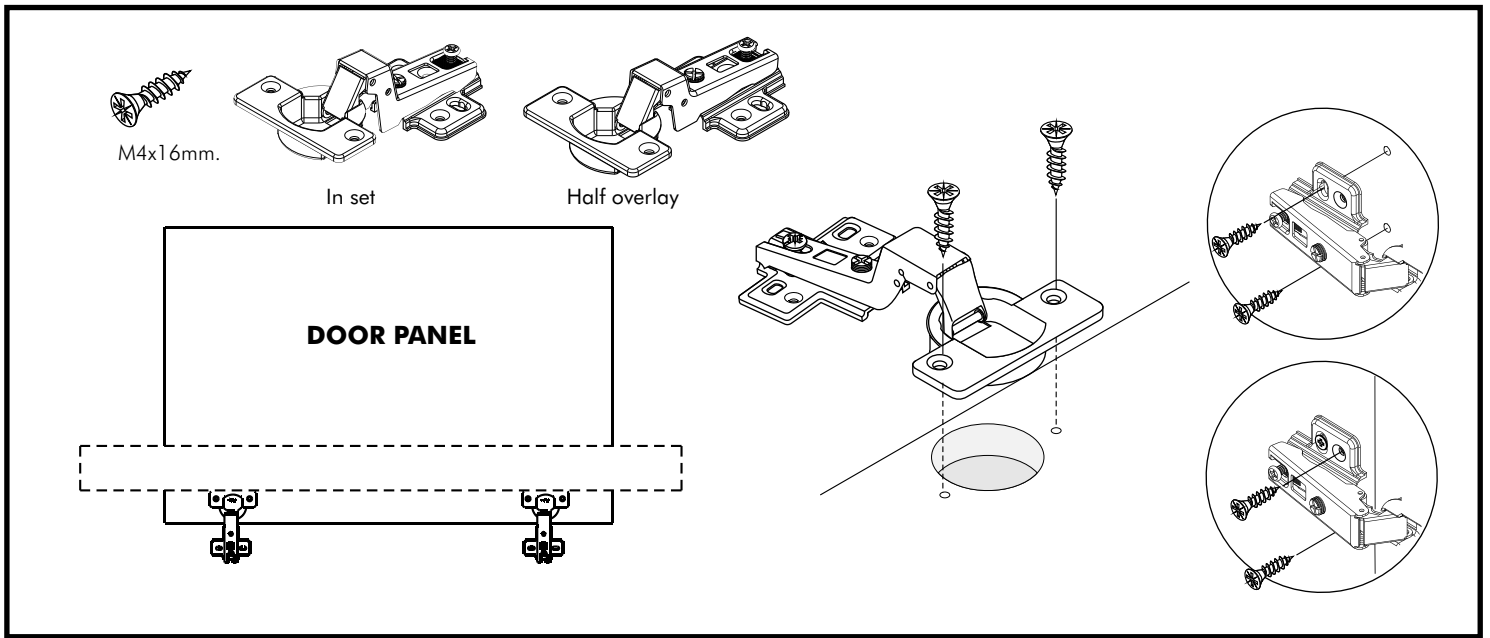
# KARLSTAD

## Low Cabinet



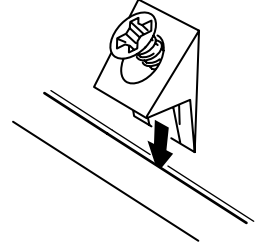
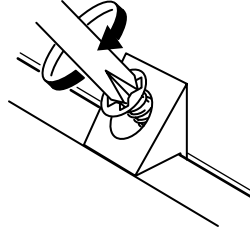
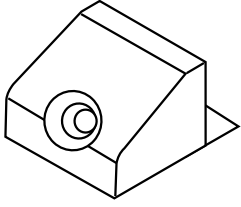
# CONNECT SYSTEM

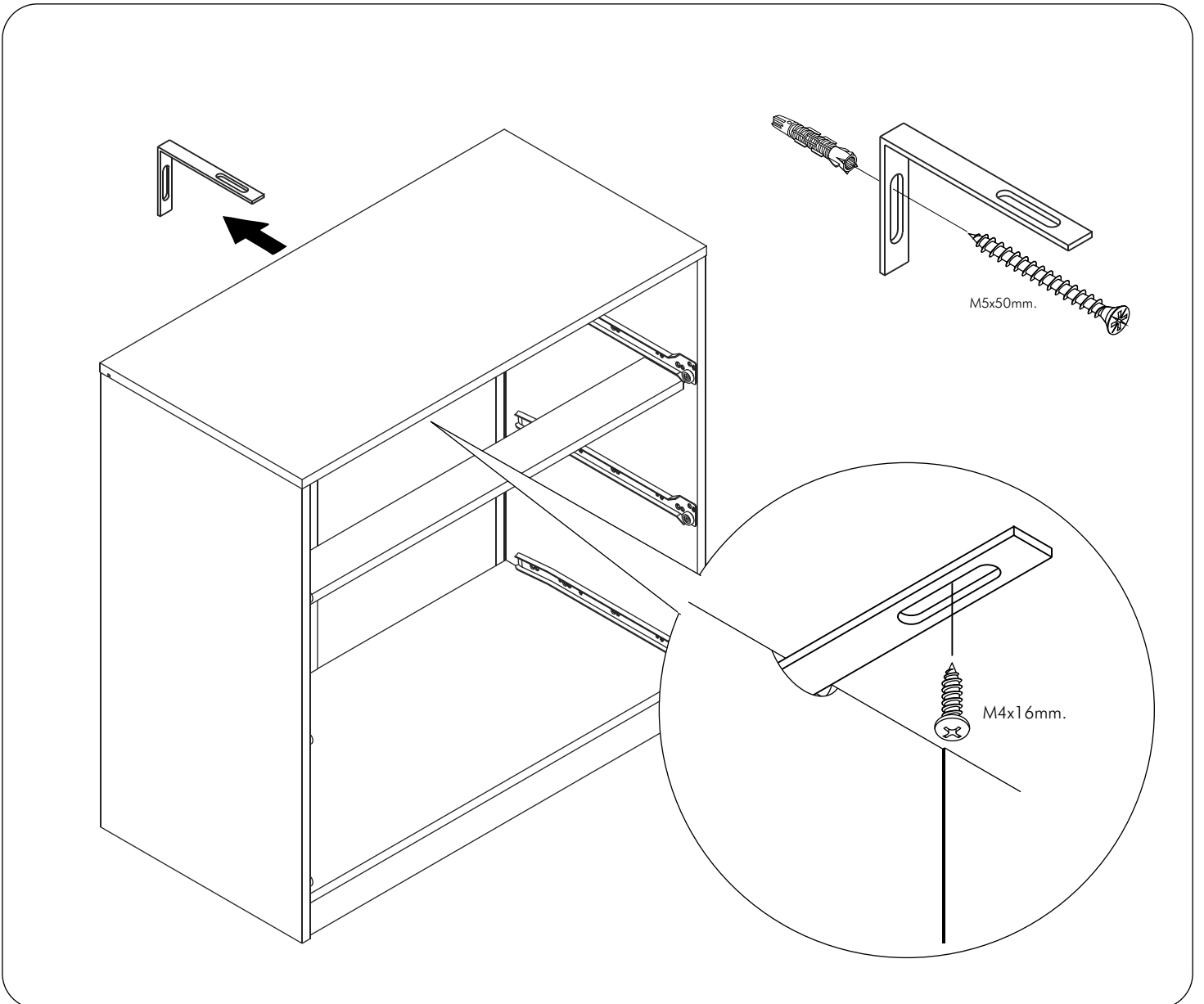
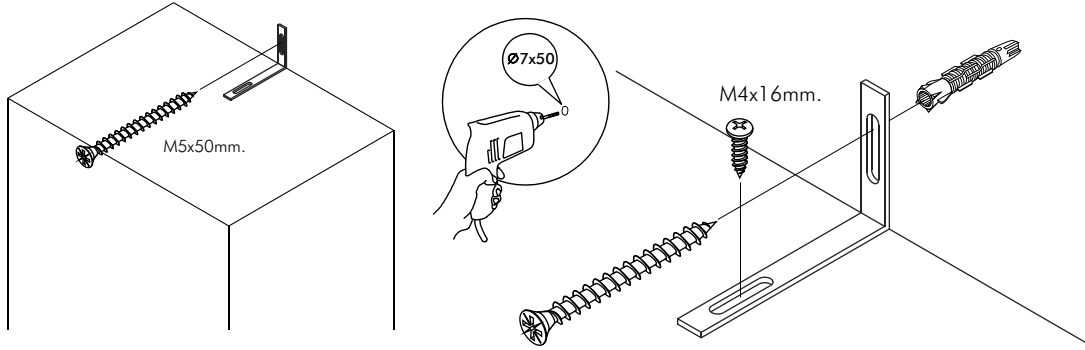
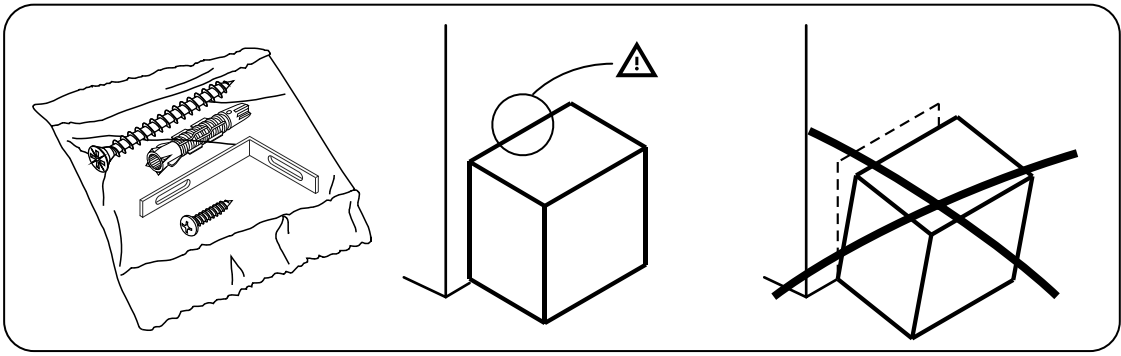






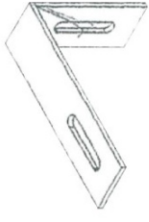
M3.5x20mm.



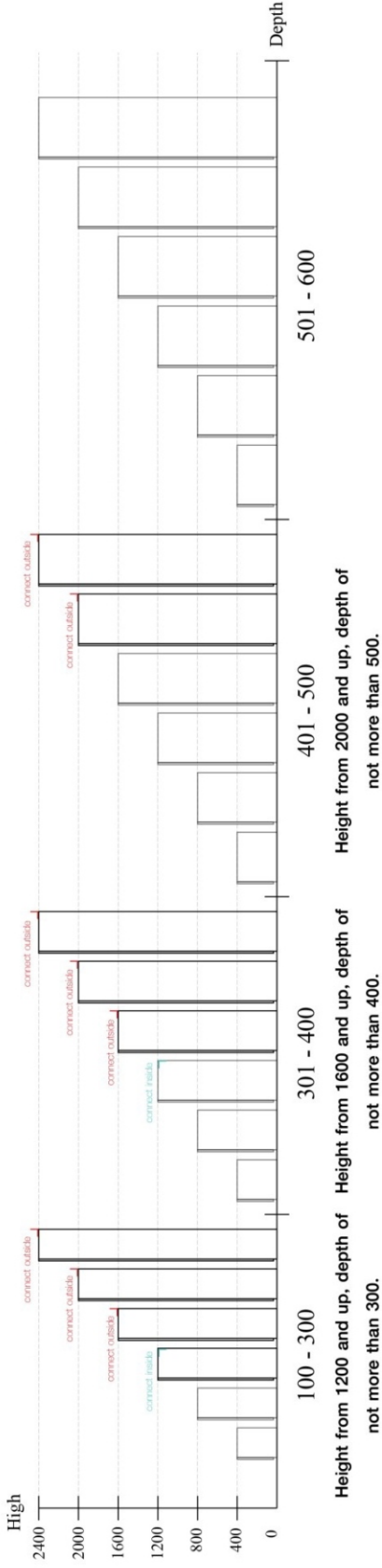


**The Standard for identifying which mounted safety fall protection fitting to use** **Note : That children's products must be installed with all anti-falling fittings.**

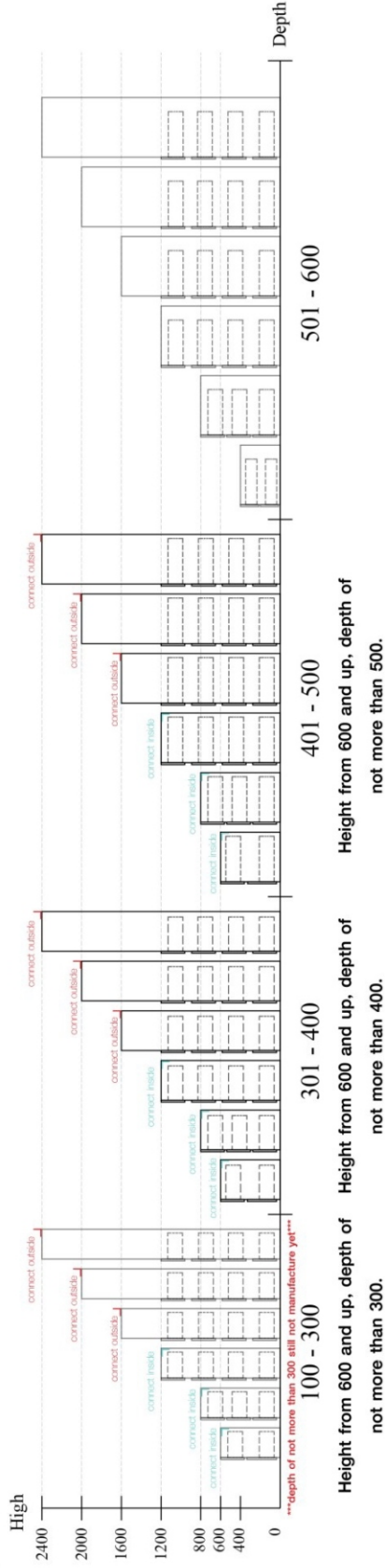
■ Mounted fall protection fittings



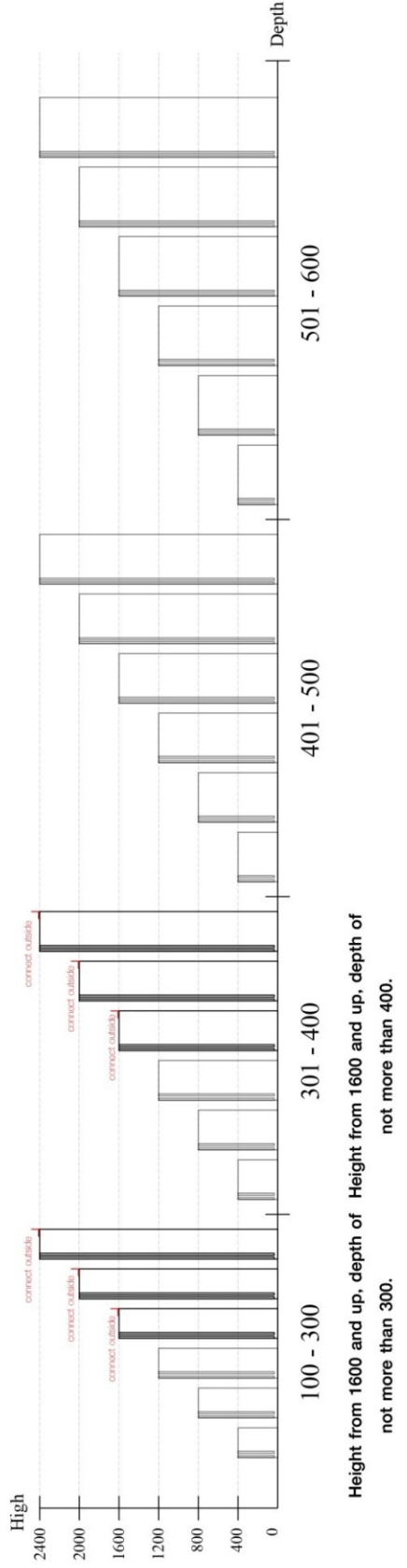
■ Category : Cabinet with open doors



■ Category : Chest of drawers



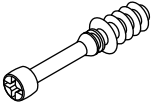
■ Category : Sliding door cabinet / Open cabinet



\*\*\*depth of not more than 300 still not manufacture yet\*\*\*

# HARDWARE

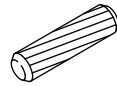
## -BODY SET



**X 4**

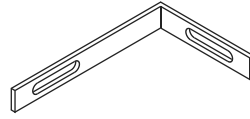


**X 4**



#8x35

**X 8**

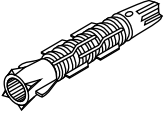


**X 1**

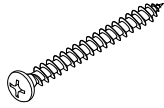


M5x50

**X 1**

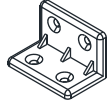


**X 1**



M4x40

**X 3**



**X 10**



M4x16

**X 56**

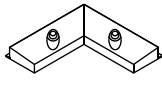


**X 8**



M3.5x20

**X 16**



#63x63mm.

**X 4**

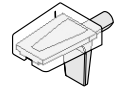


M4x16

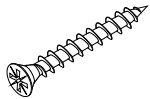
**X 5**



**X 4**



**X 4**



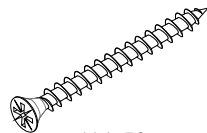
M4x30 (Sink)

**X 3**



M3.5x13

**X 4**

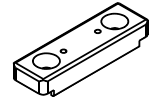


M4x50

**X 4**



**X 4**

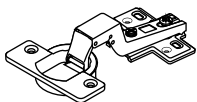


**X 8**



**X 4**

## -DOOR SET

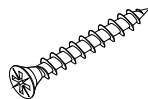


**X 4**



M4x16

**X 24**



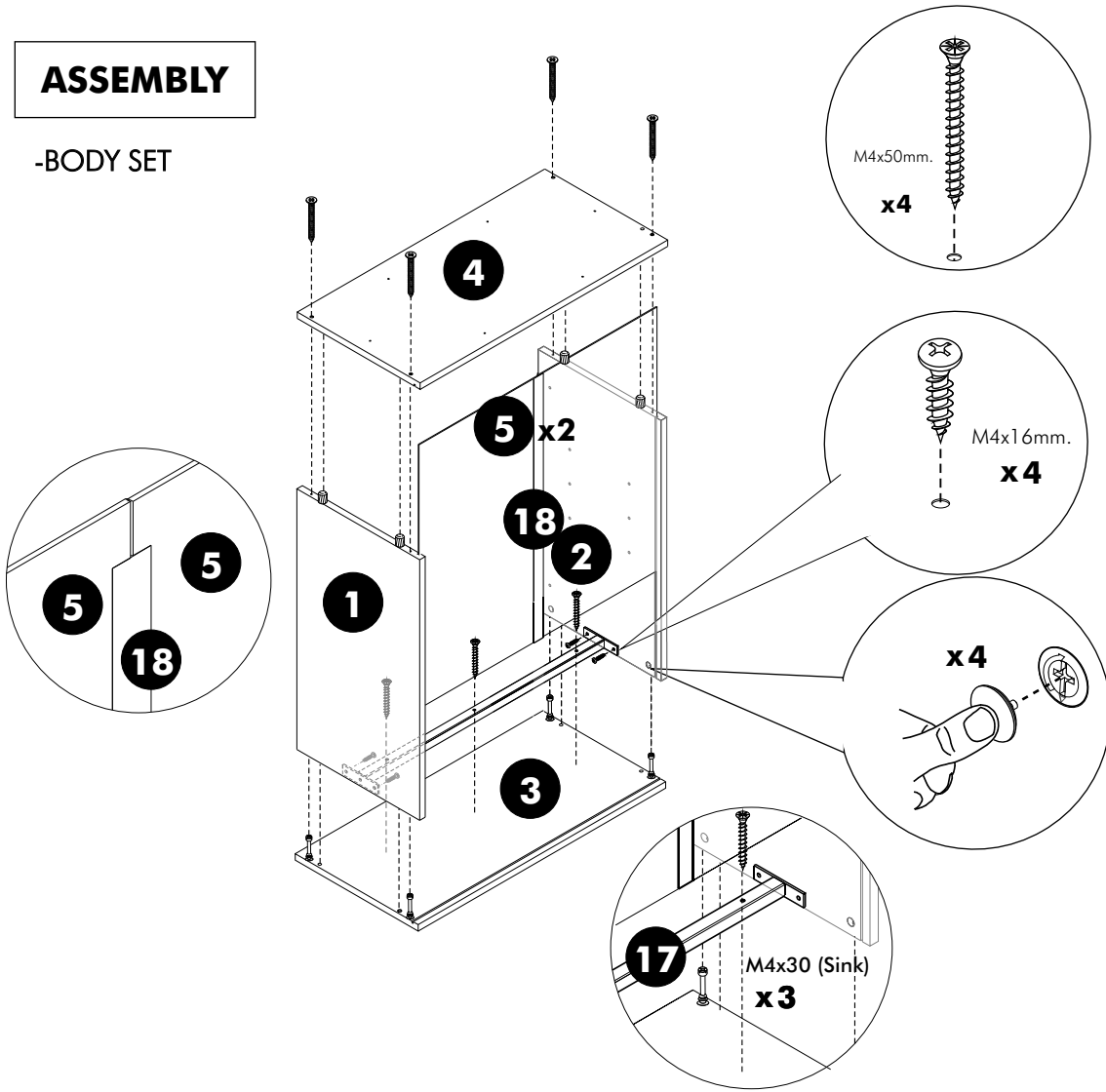
M4x30 (Black)

**X 3**

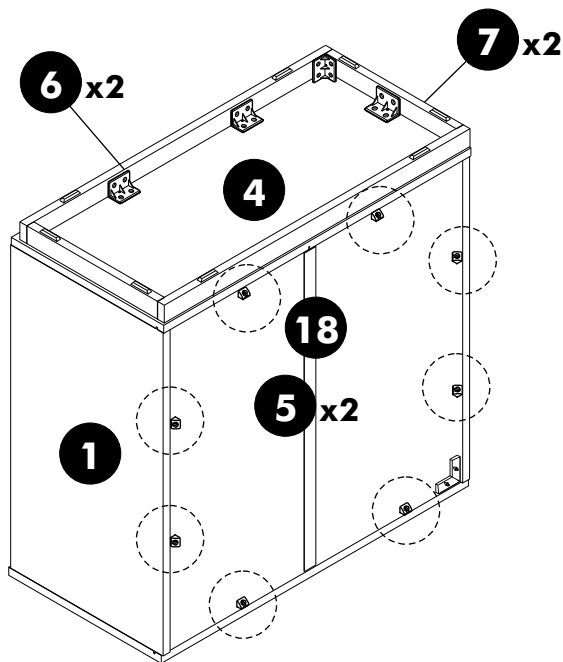
1.

**ASSEMBLY**

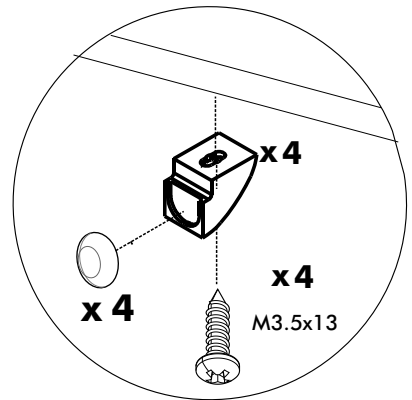
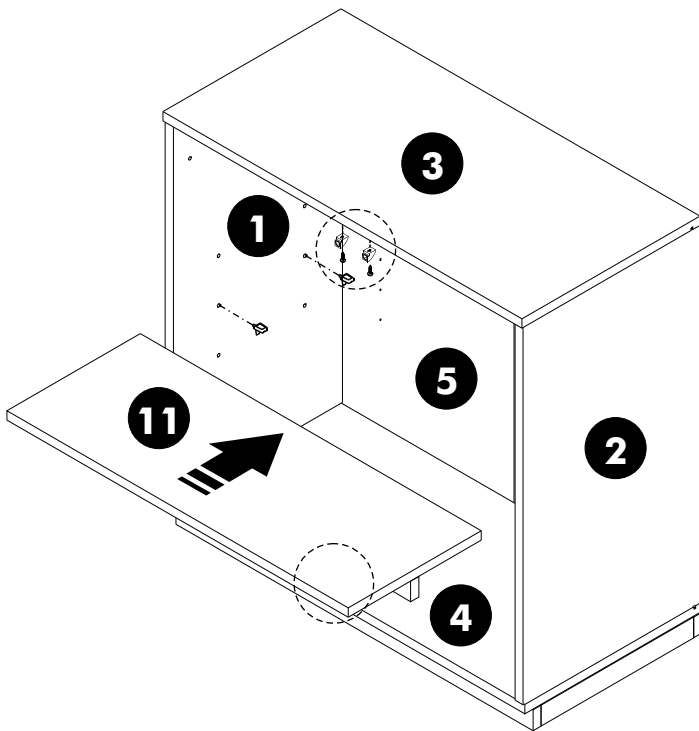
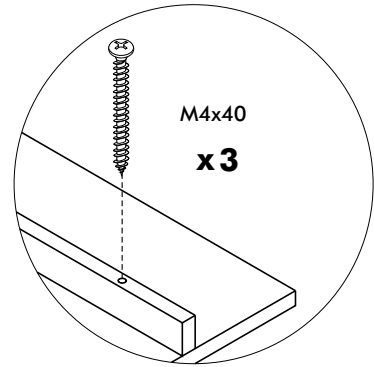
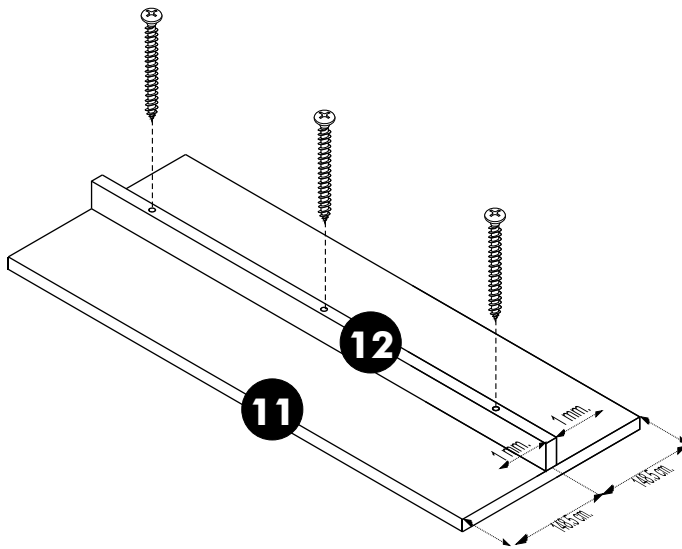
-BODY SET



2.



# 3.



# ASSEMBLY

-DOOR SET

