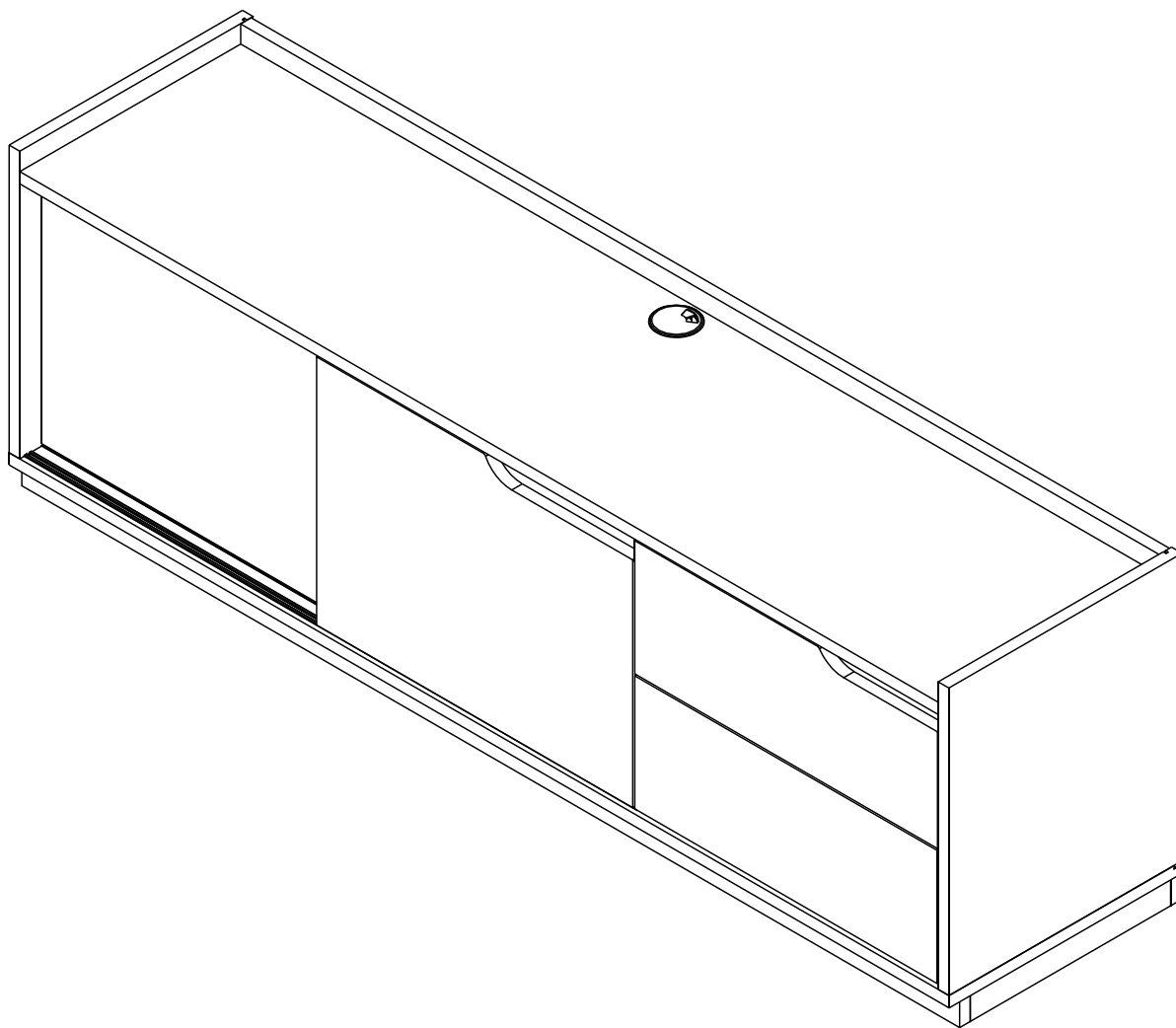


KARLSTAD

TV cabinet 160 cm.



CONNECT SYSTEM

1

3

2

(Connecting bolts)

WHEN FITTING CAMS
ENSURE STARTING POSITION IS CORRECT
BEFORE YOU INSERT CONNECTING BOLT
TURN CLOCKWISE UNTIL SECURE

✓

↑
CORRECT

✗

↓
WRONG

M4x16mm.

i

40mm.

☹

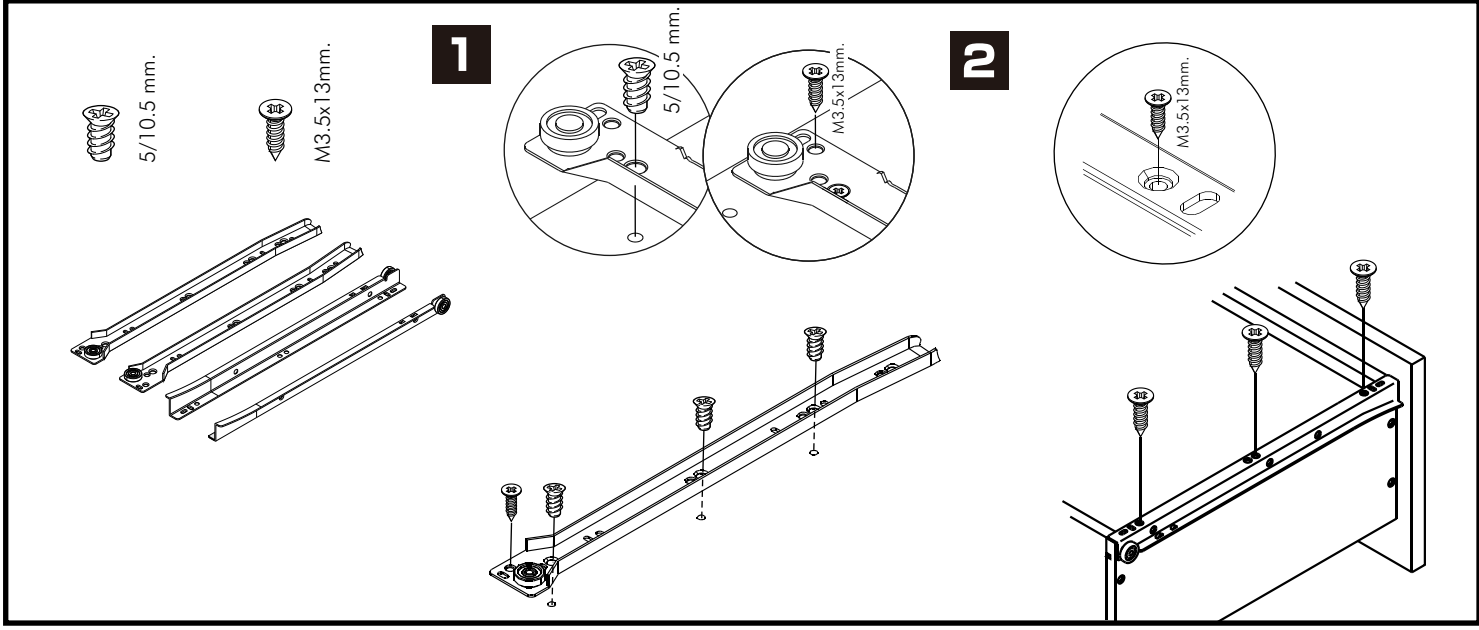
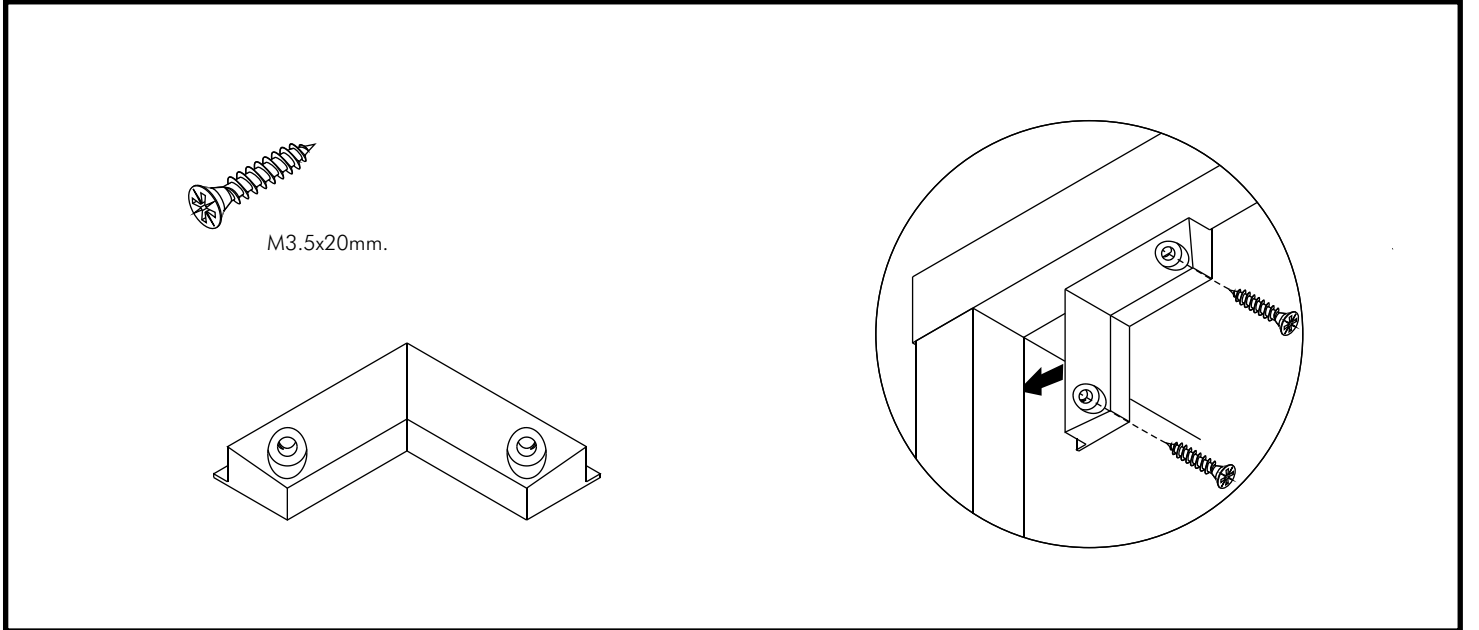
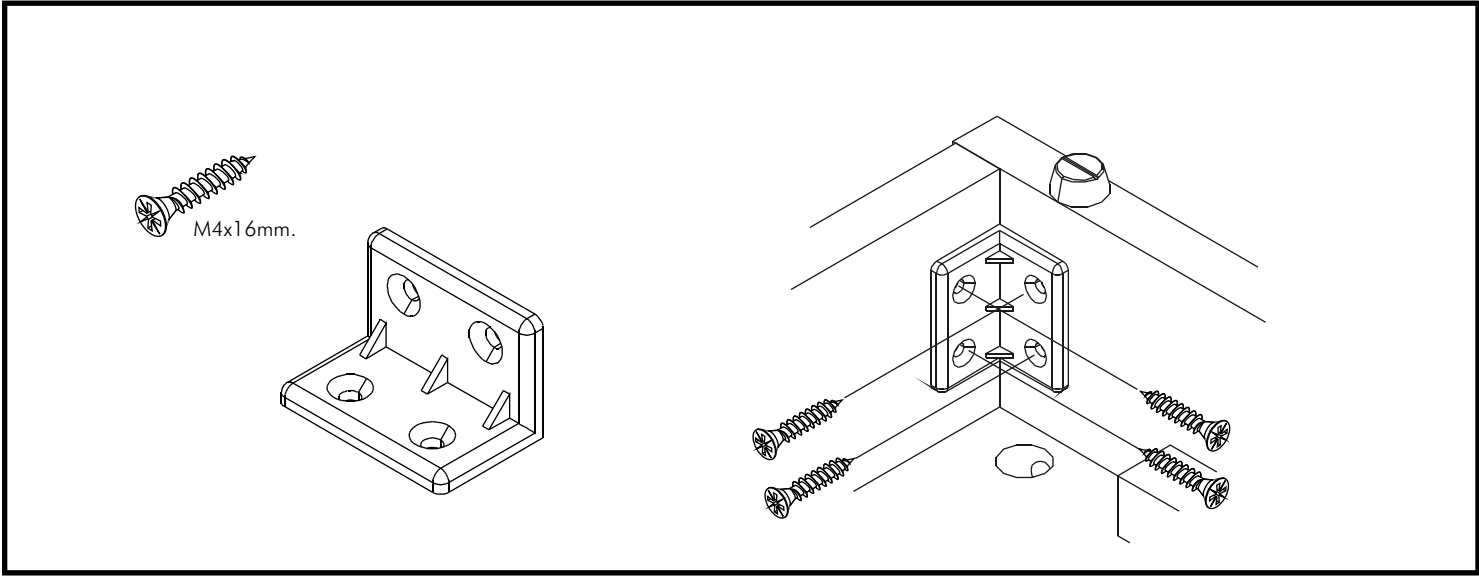
☒

EQ

☺

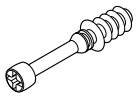
☑

M3.5x20mm.



HARDWARE

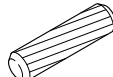
-BODY SET



x 10

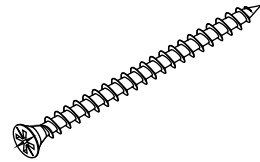


x 10



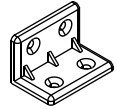
8x35mm.

x 18

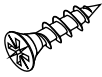


M4x50mm.

x 8



x 20

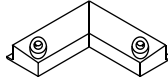


M4x16mm.

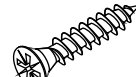
x 108



x 1



x 4



M3.5x20mm.

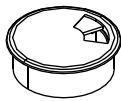
x 16



x 8



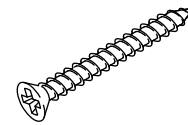
x 8



x 1



x 4



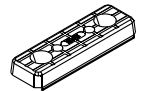
M4x40mm.

x 4



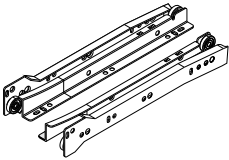
M4x16mm.

x 2



x 14

-DRAWER SET

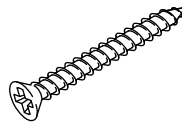


x 1



M3.5x13mm.

x 8



M4x40mm.

x 10



M6x23mm.

x 4

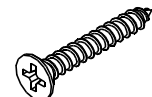


x 1



#GAL5/10.5 mm.

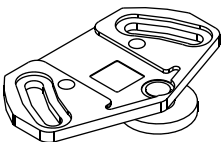
x 6



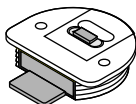
M4x30mm.(BLACK)

x 2

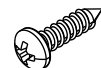
-DOOR SET



x 4



x 4



M3.5x13mm.

x 8



M3.5x16mm.(BLACK)

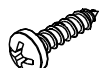
x 6



x 4

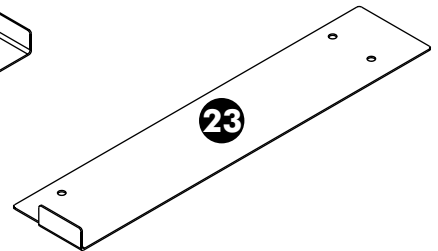
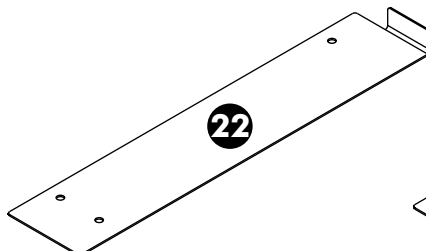


x 1



M4x16mm.

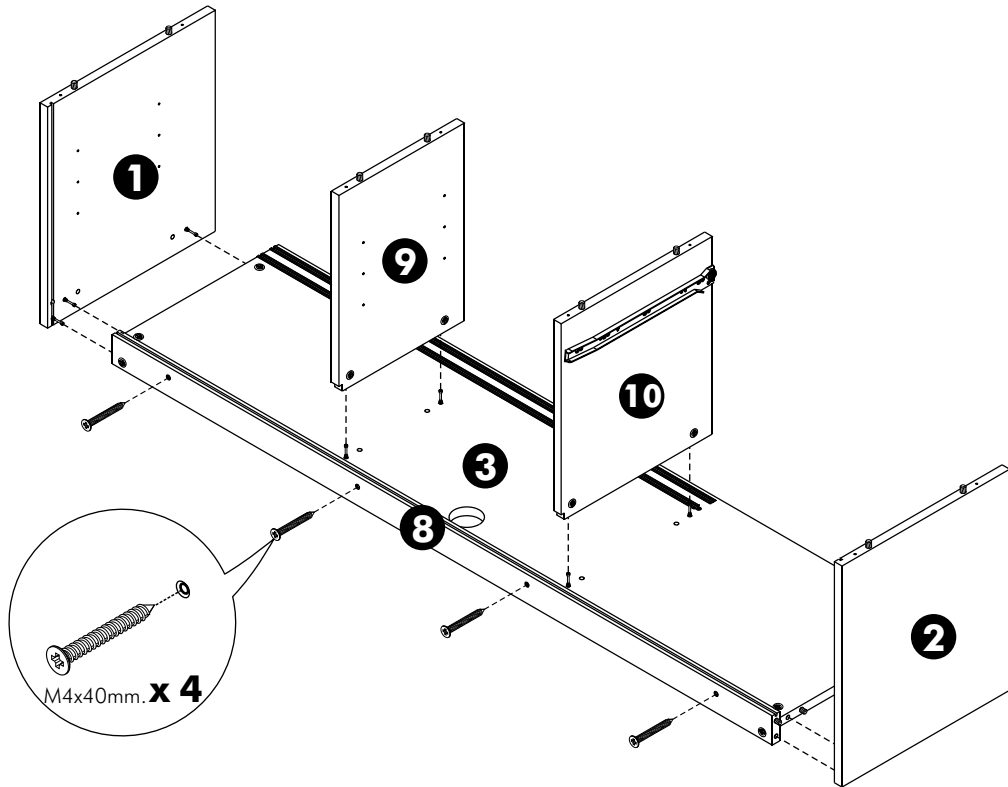
x 1



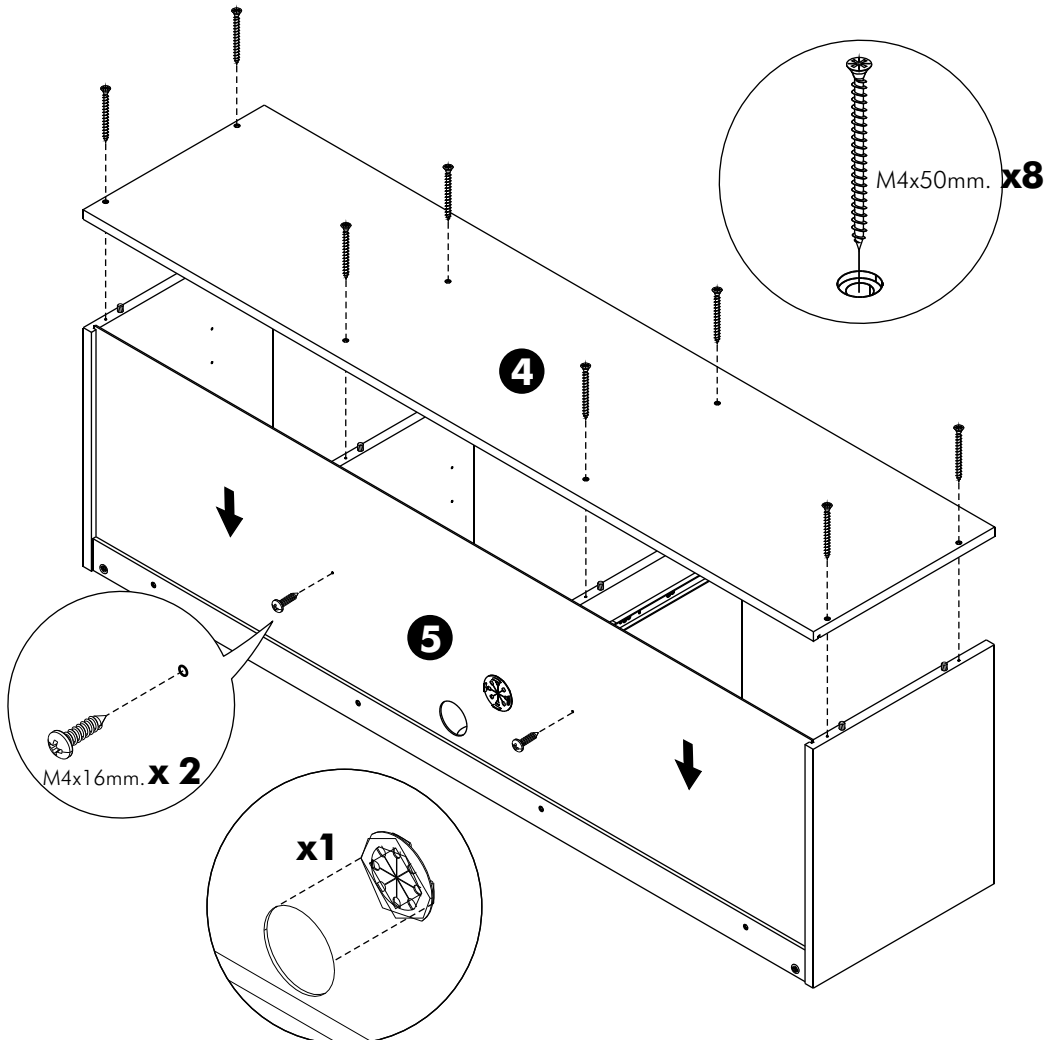
ASSEMBLY

-BODY SET

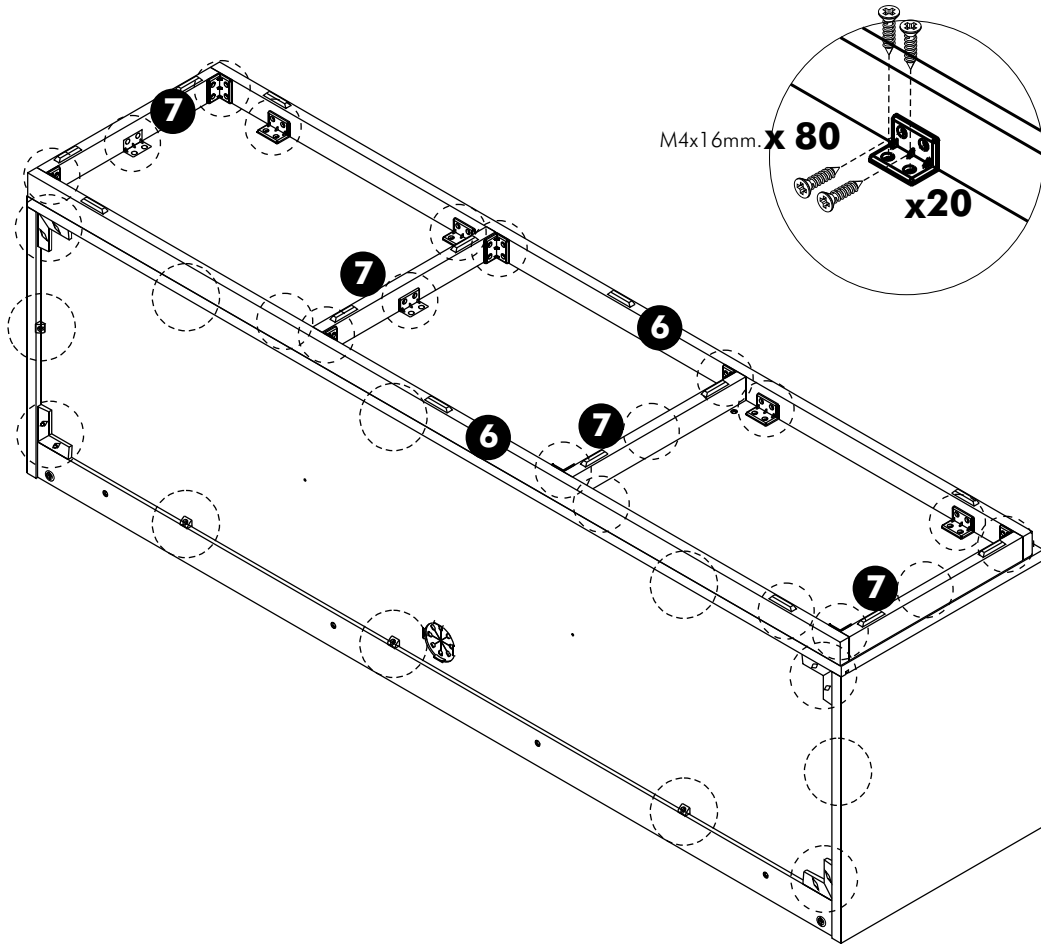
1.



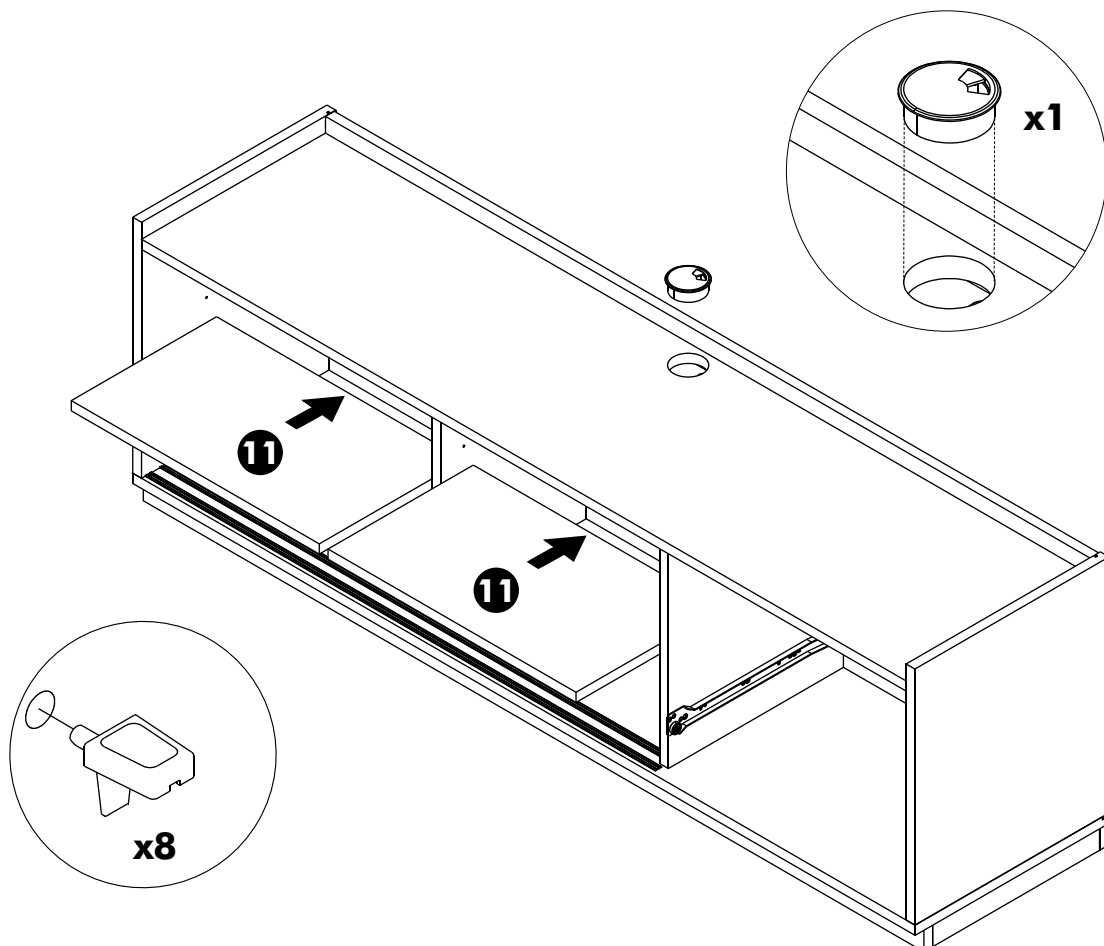
2.



3.

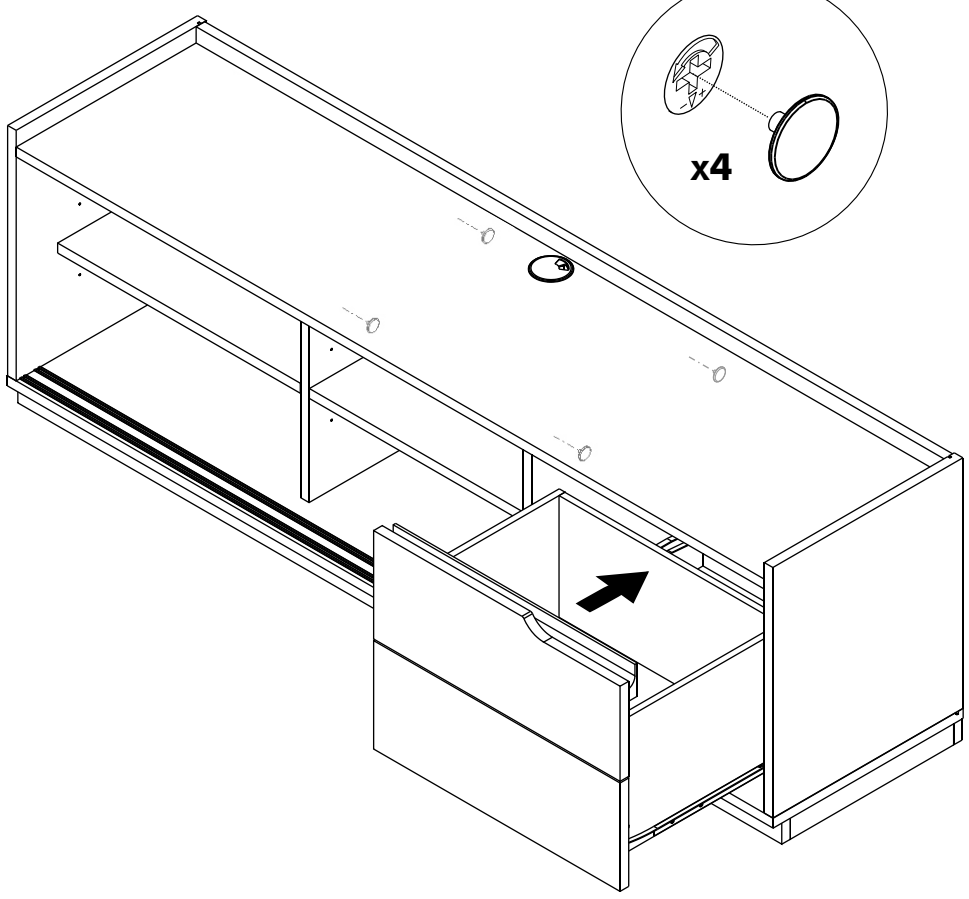
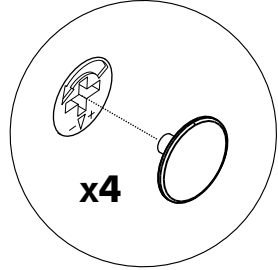
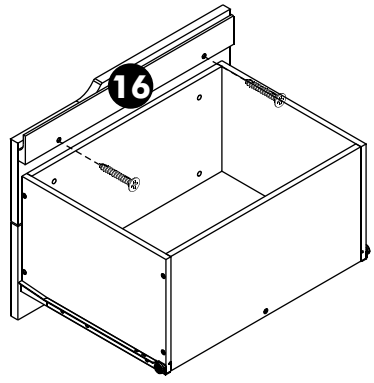
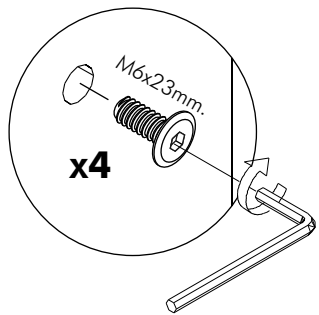
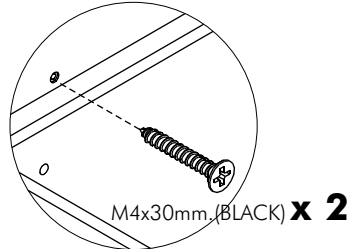
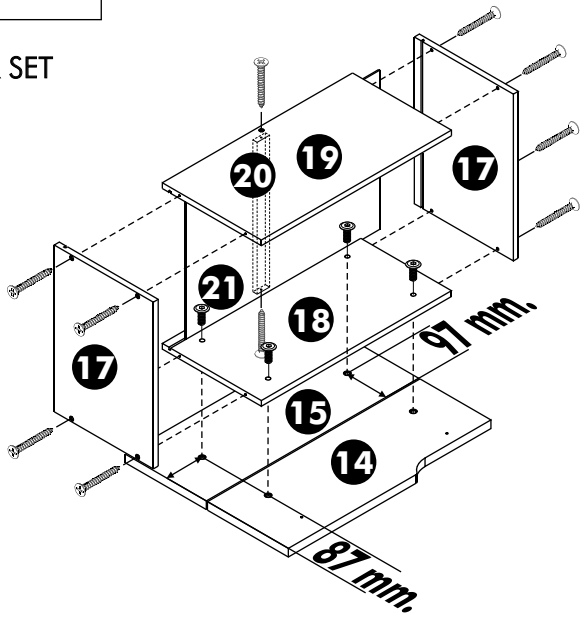


4.



ASSEMBLY

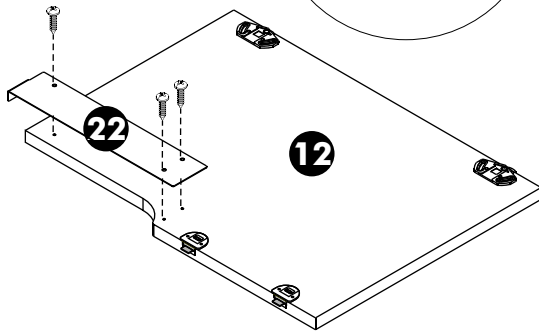
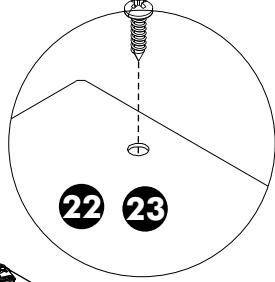
-DRAWER SET



ASSEMBLY

-DOOR SET

M3.5x16mm.(BLACK) **x 6**



M3.5x13mm **x 8**

