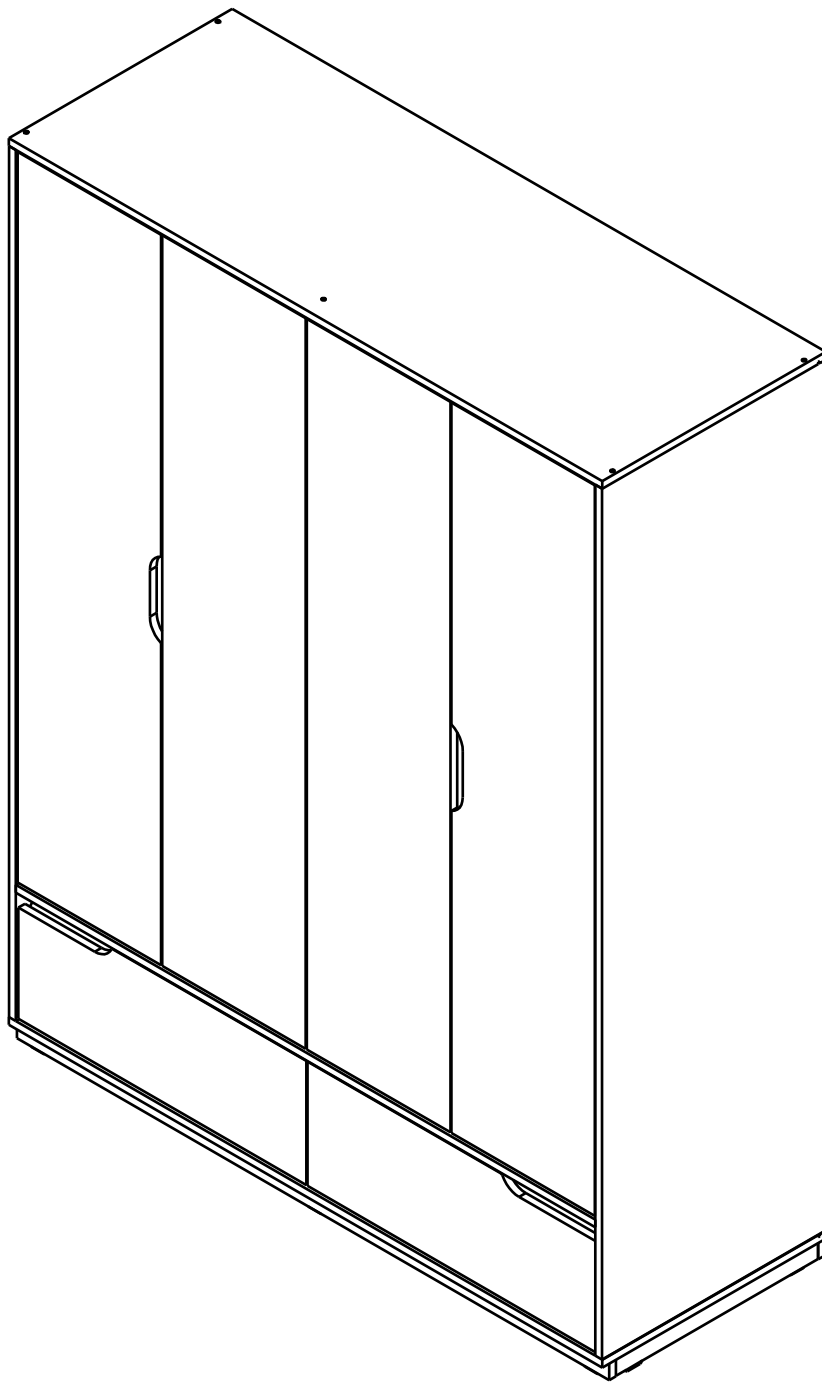
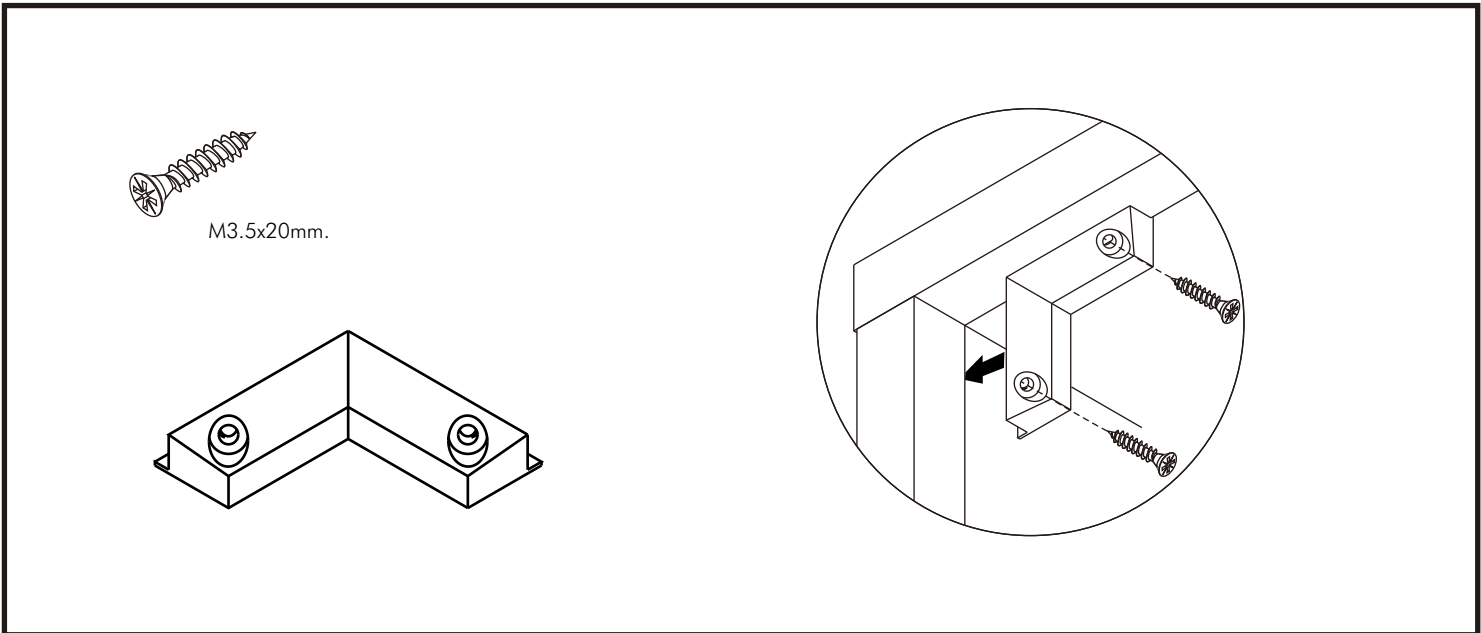
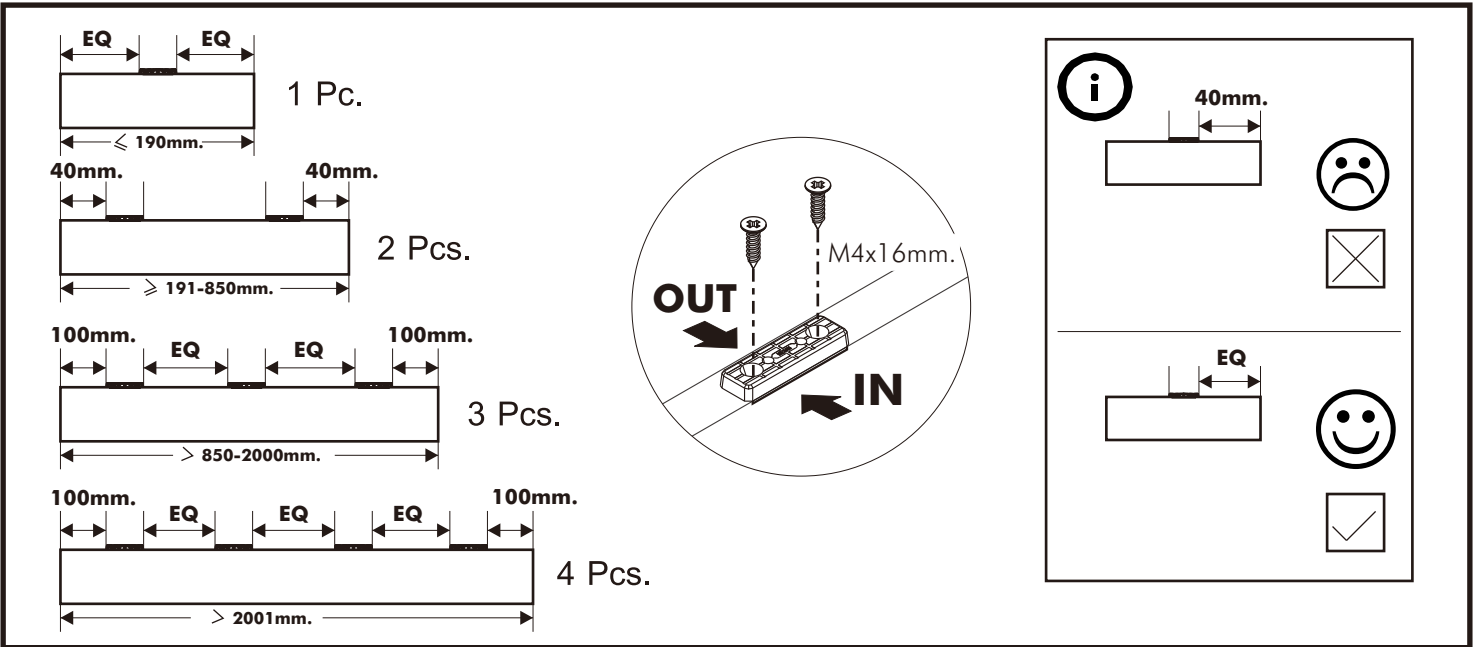
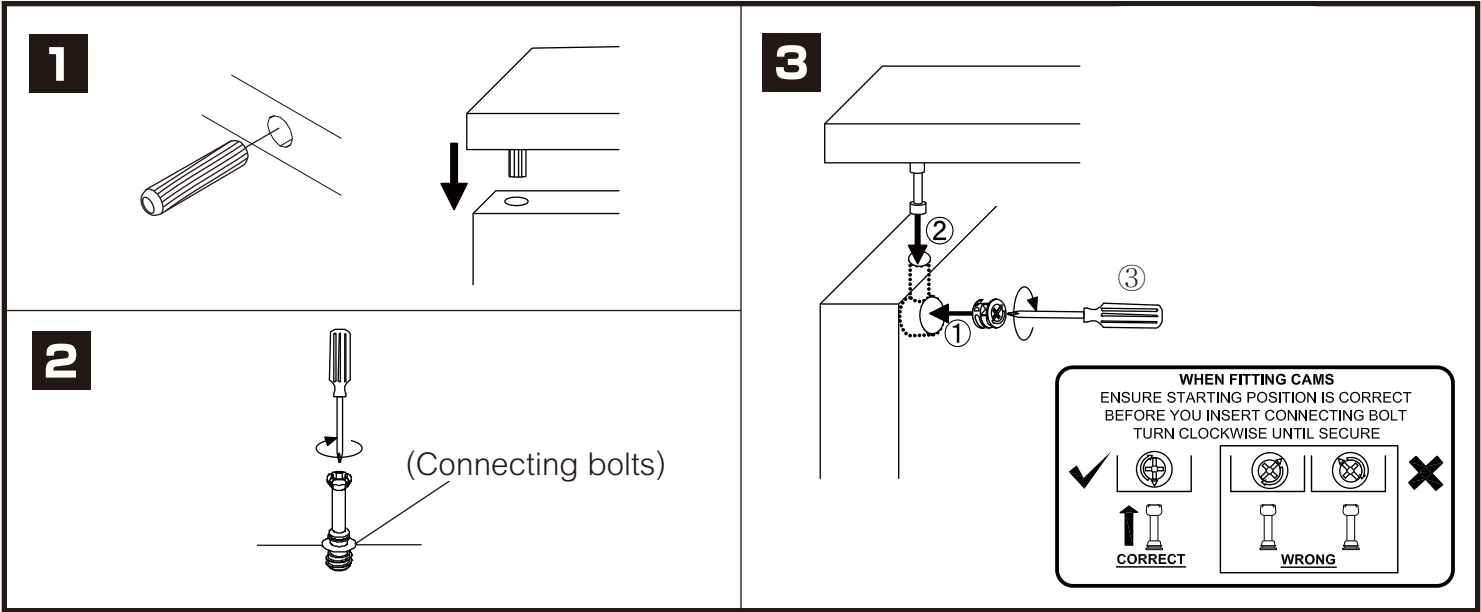


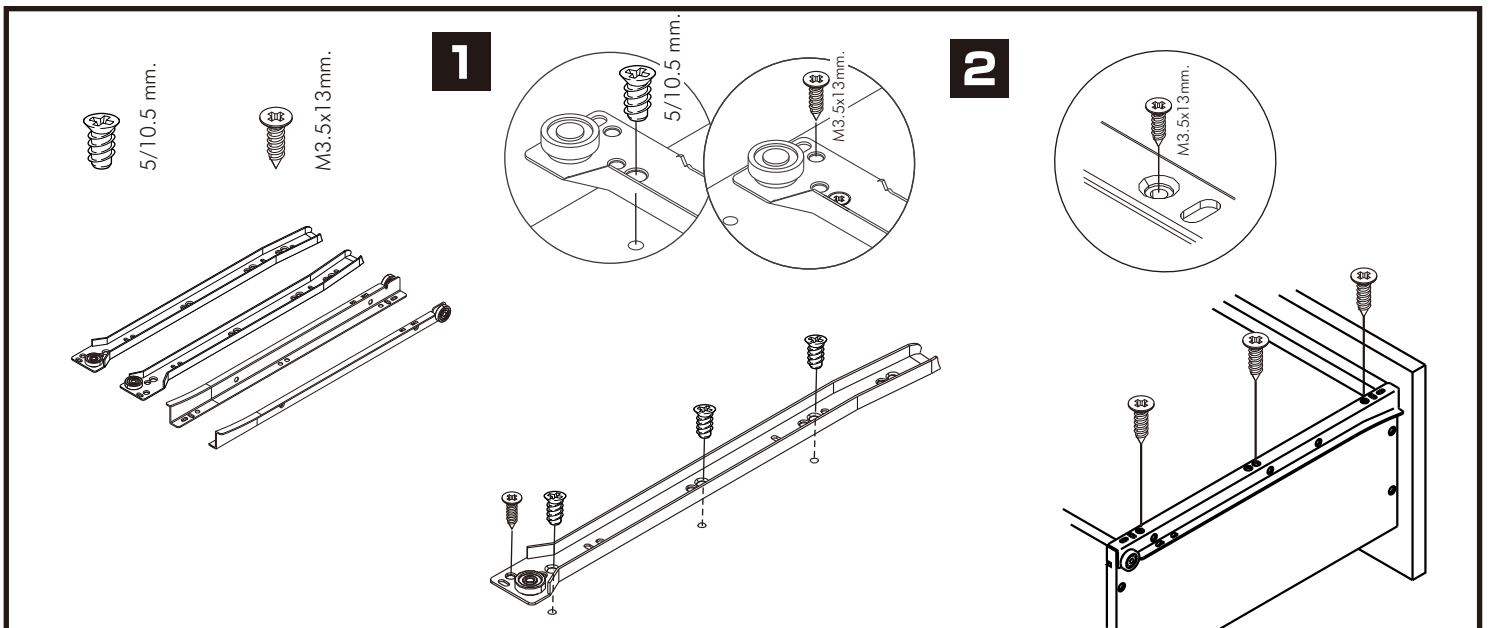
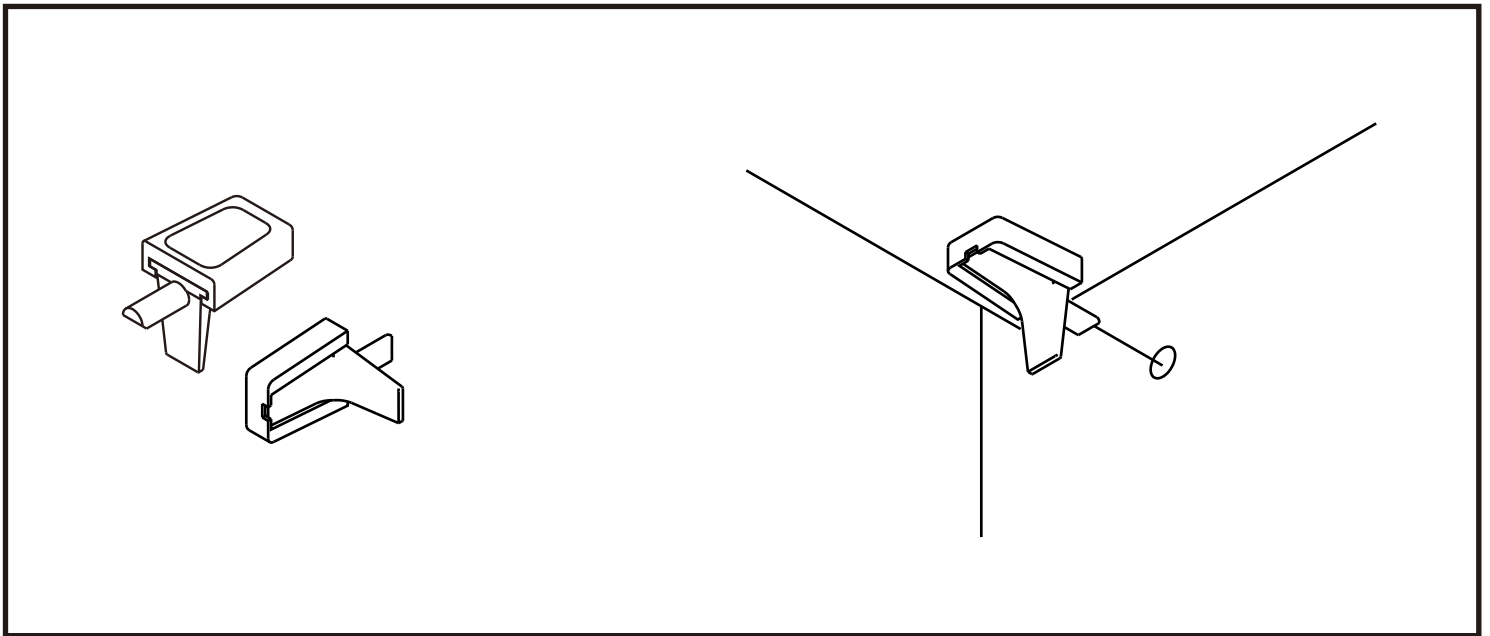
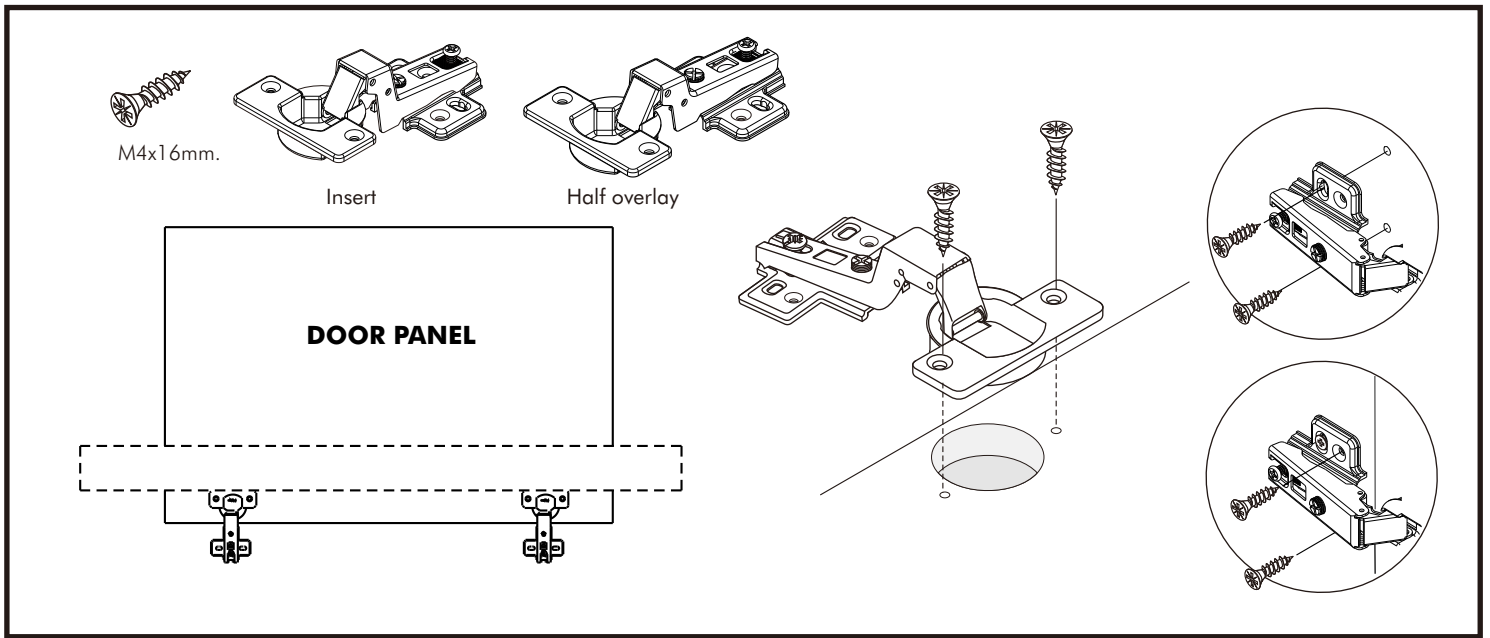
KARLSTAD

Wardrobe 4 drs

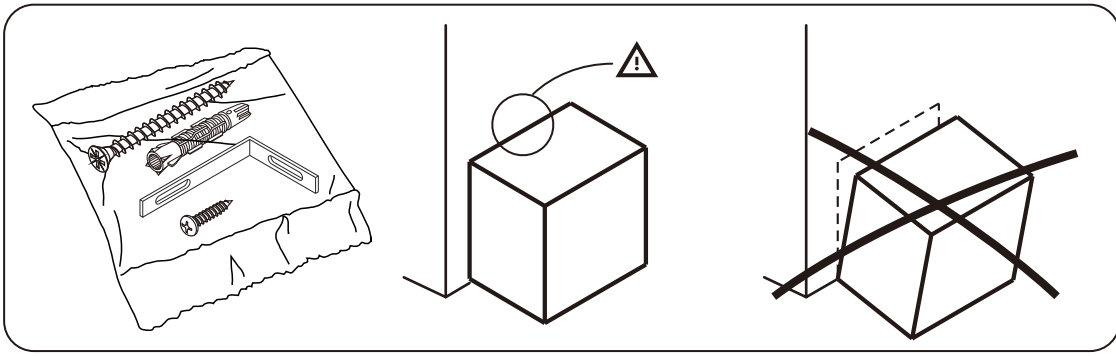


CONNECT SYSTEM





x2



The Standard for identifying which mounted safety fall protection fitting to use **Note : That children's products must be installed with all anti-falling fittings.**

■ Mounted fall protection fittings



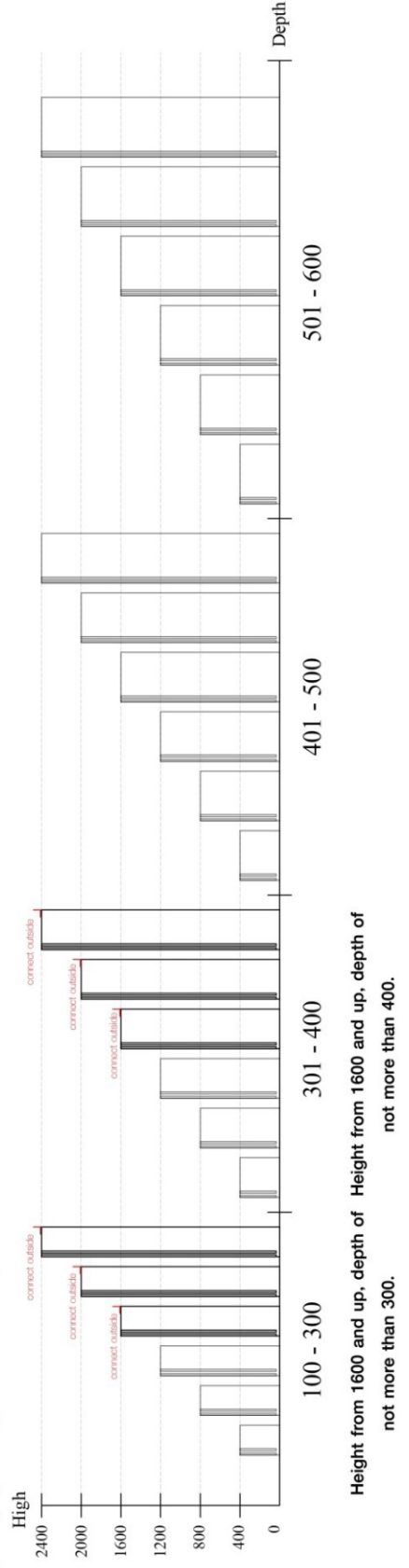
■ Category : Cabinet with open doors



■ Category : Chest of drawers

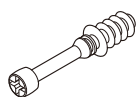


■ Category : Sliding door cabinet / Open cabinet



HARDWARE

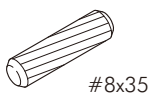
-BODY SET



x 16



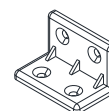
x 16



x 38



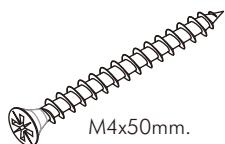
x 92



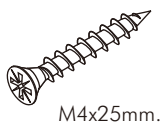
x 17



x 32



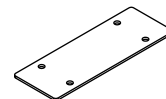
x 13



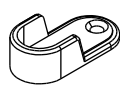
x 6



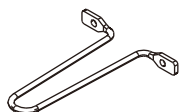
x 2



x 2



x 2



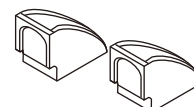
x 1



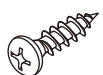
x 8



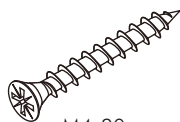
x 8



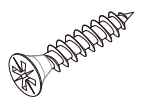
x 8



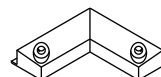
x 8



x 20



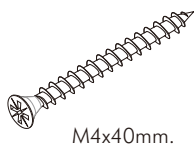
x 8



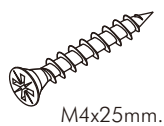
x 4



x 4



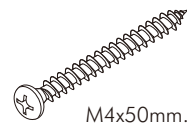
x 1



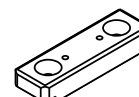
x 16



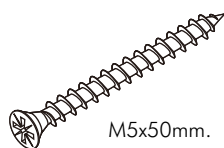
x 3



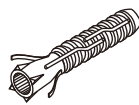
x 6



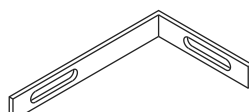
x 12



x 2



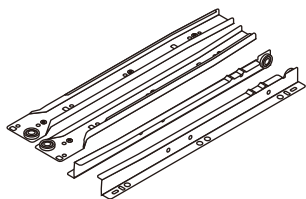
x 2



x 2

HARDWARE

-DRAWER SET



x 2



M3.5x13mm.

x 16



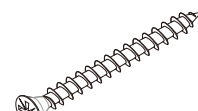
M5x10mm.

x 12



M6x23mm.

x 12



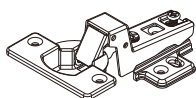
M4x40mm.

x 24

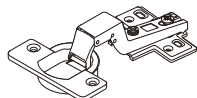


x 1

-DOOR SET



x 8

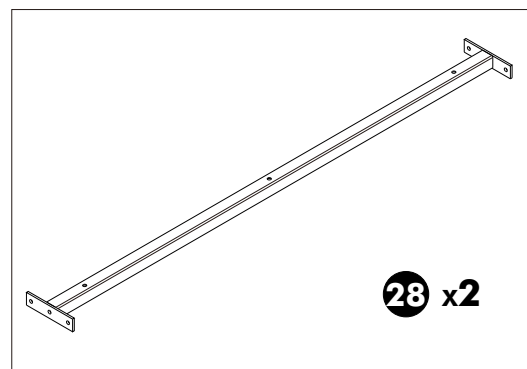


x 8



M4x16mm.

x 96

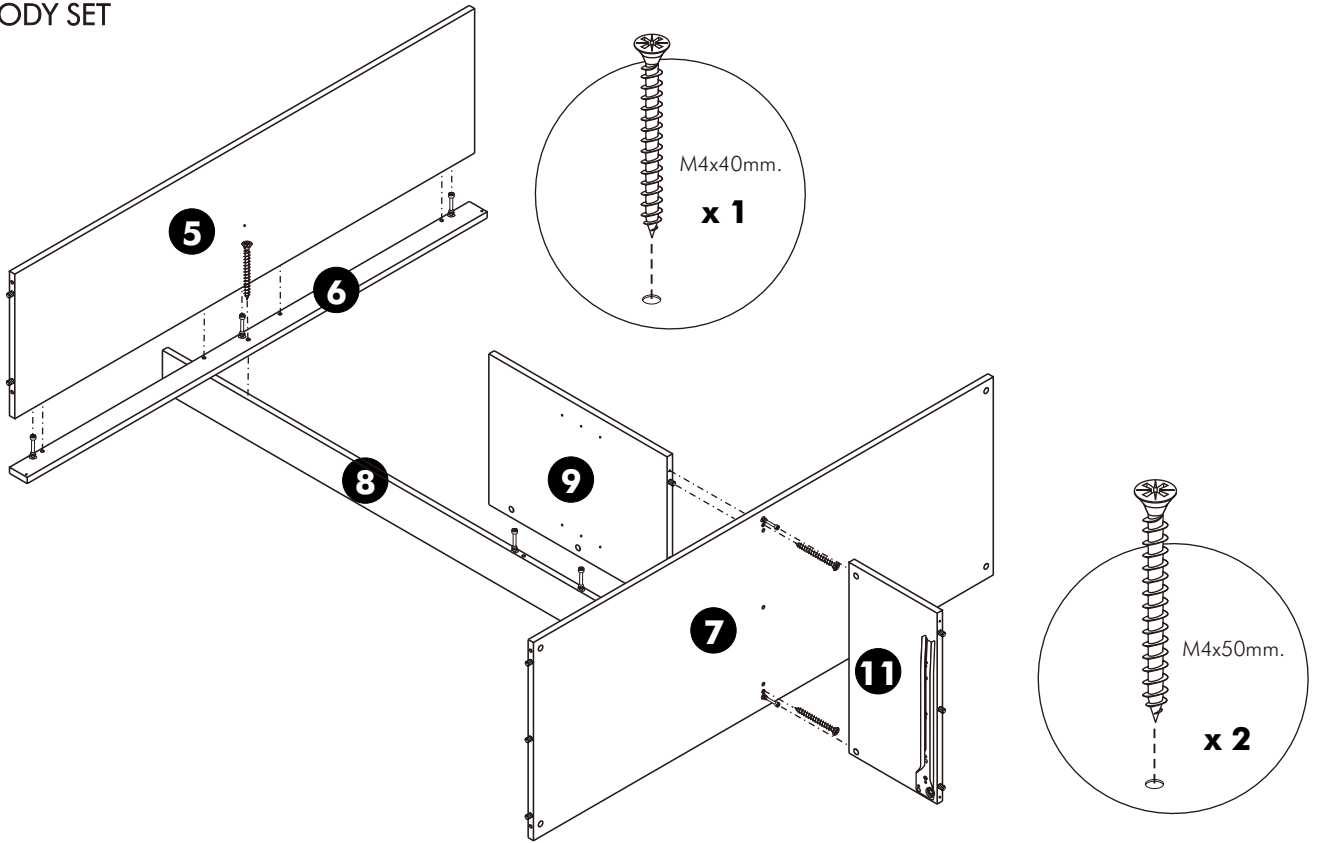


28 x2

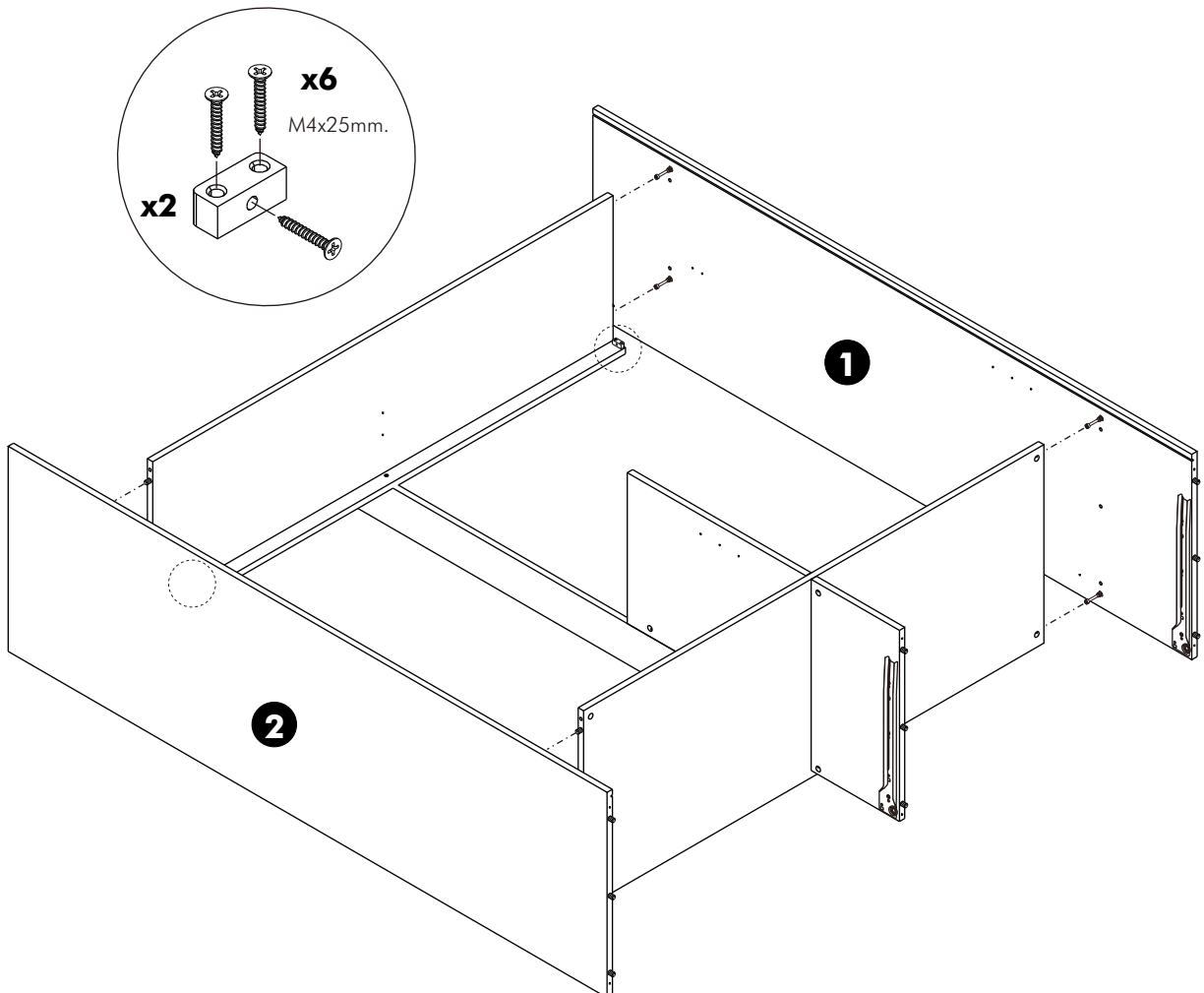
ASSEMBLY

-BODY SET

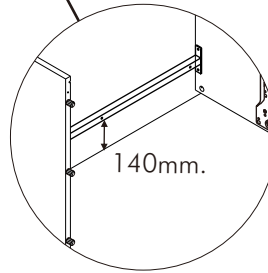
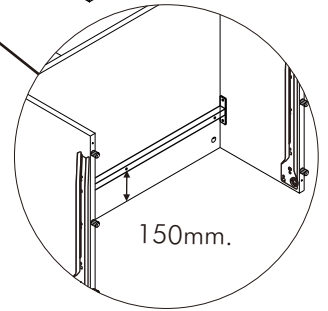
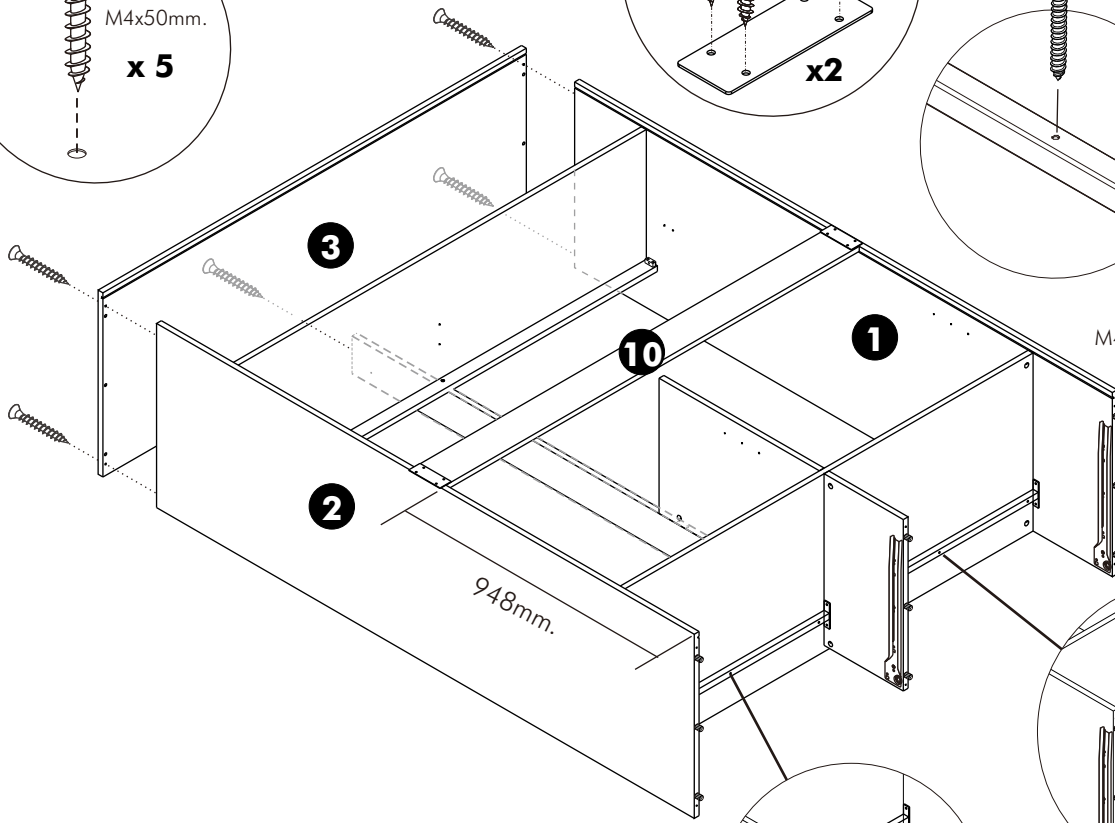
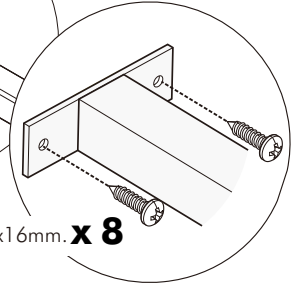
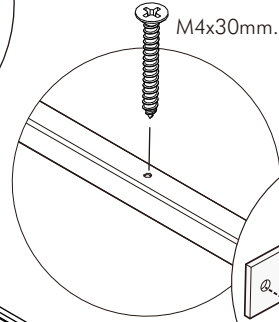
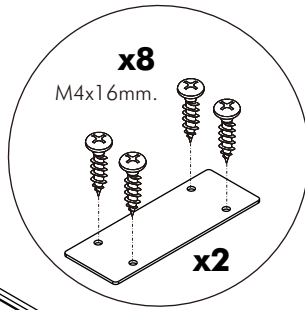
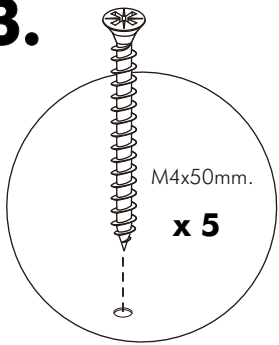
1.



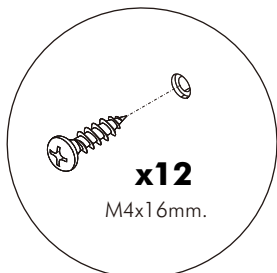
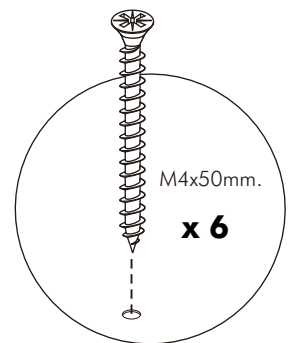
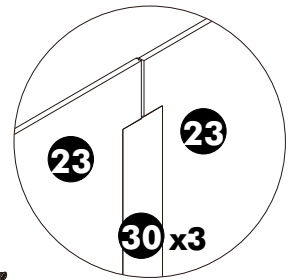
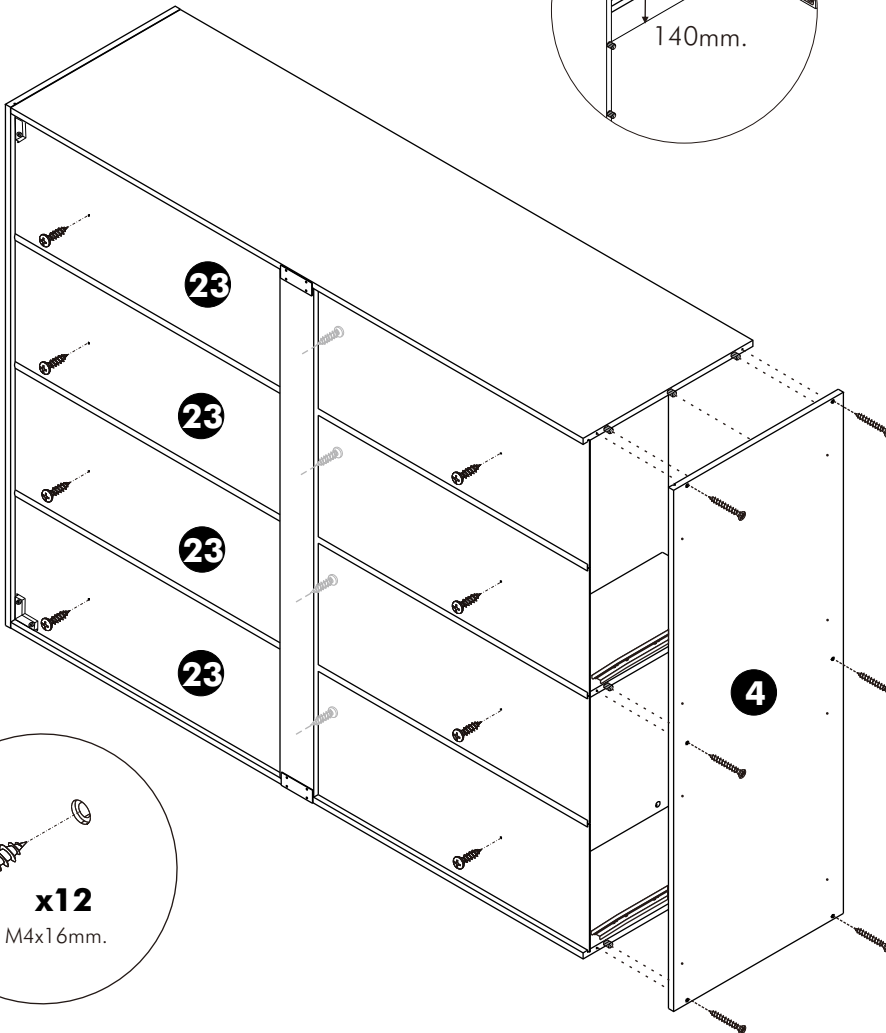
2.



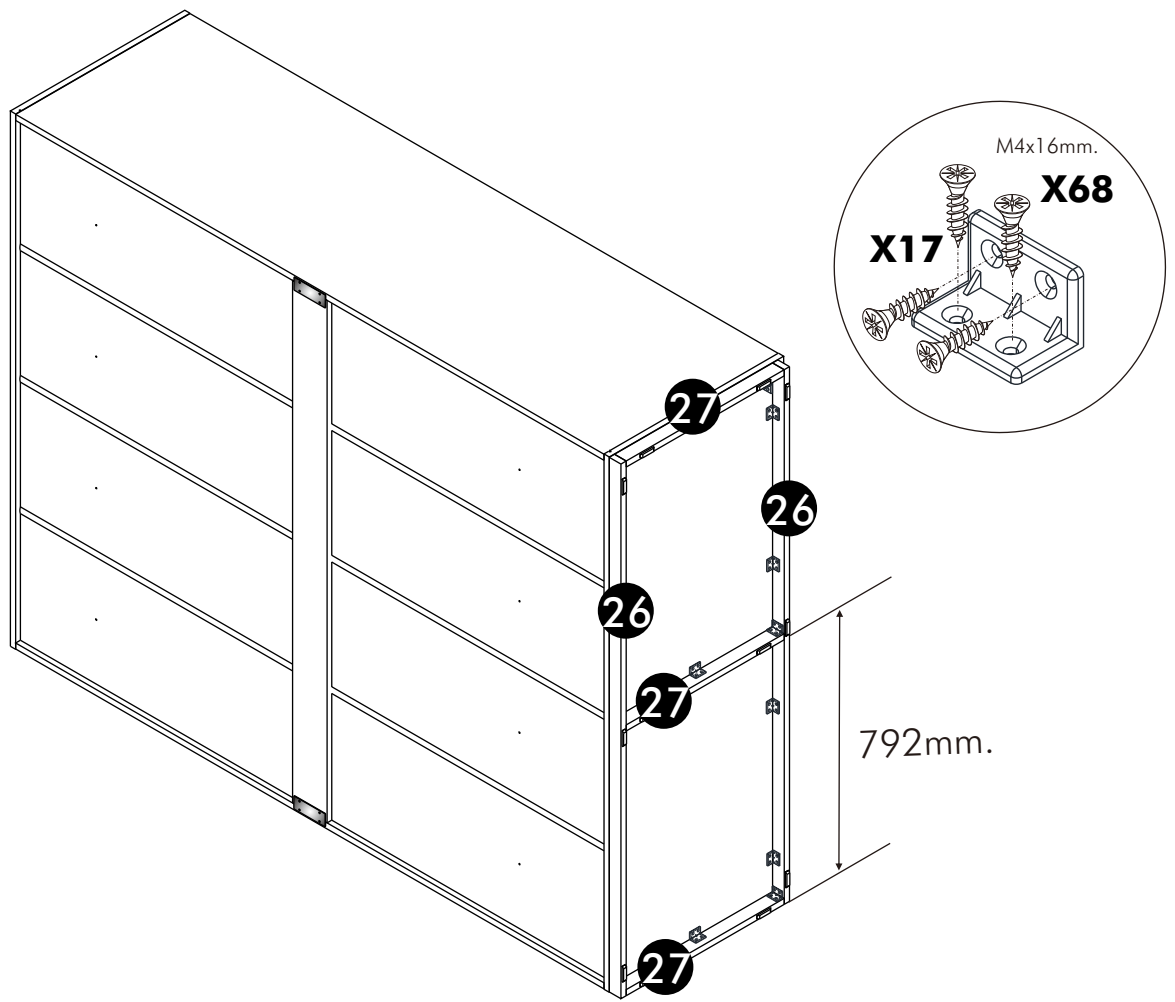
3.



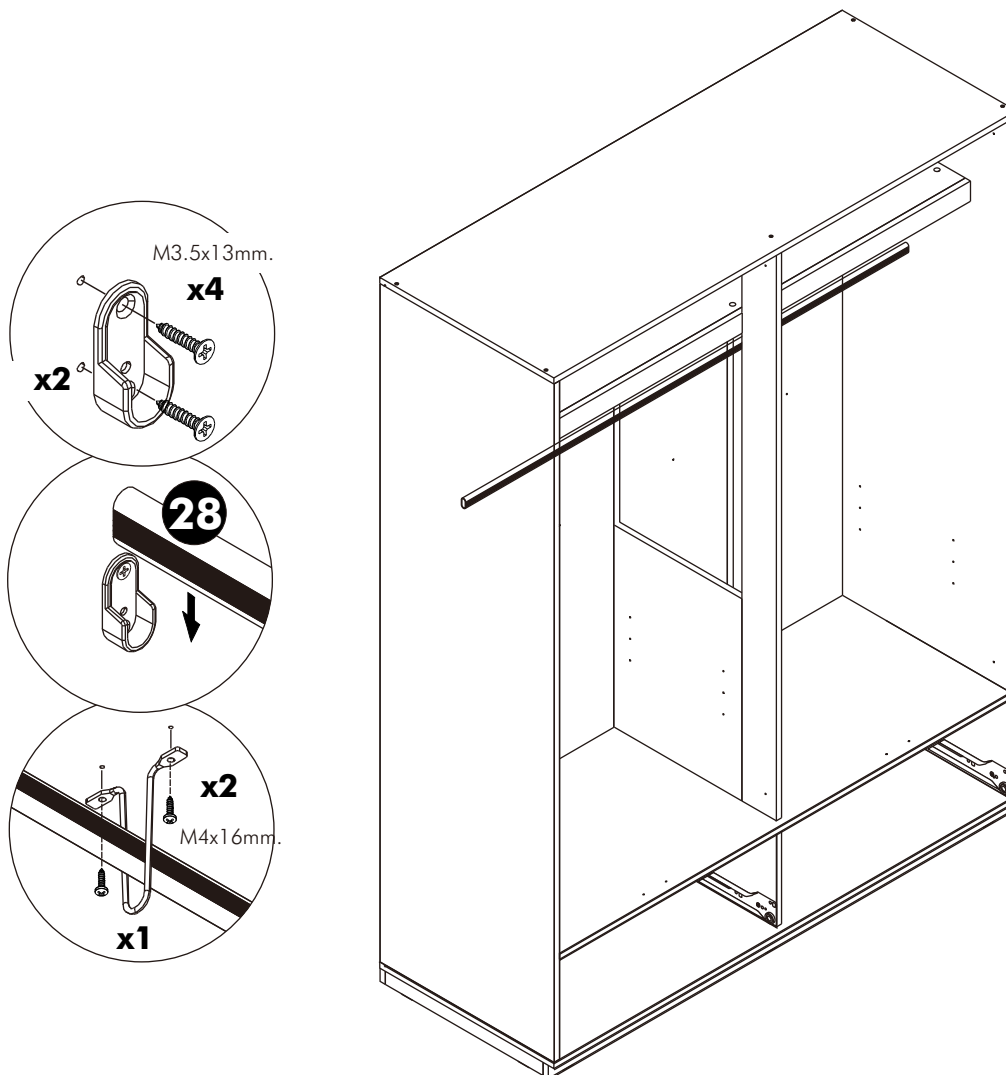
4.



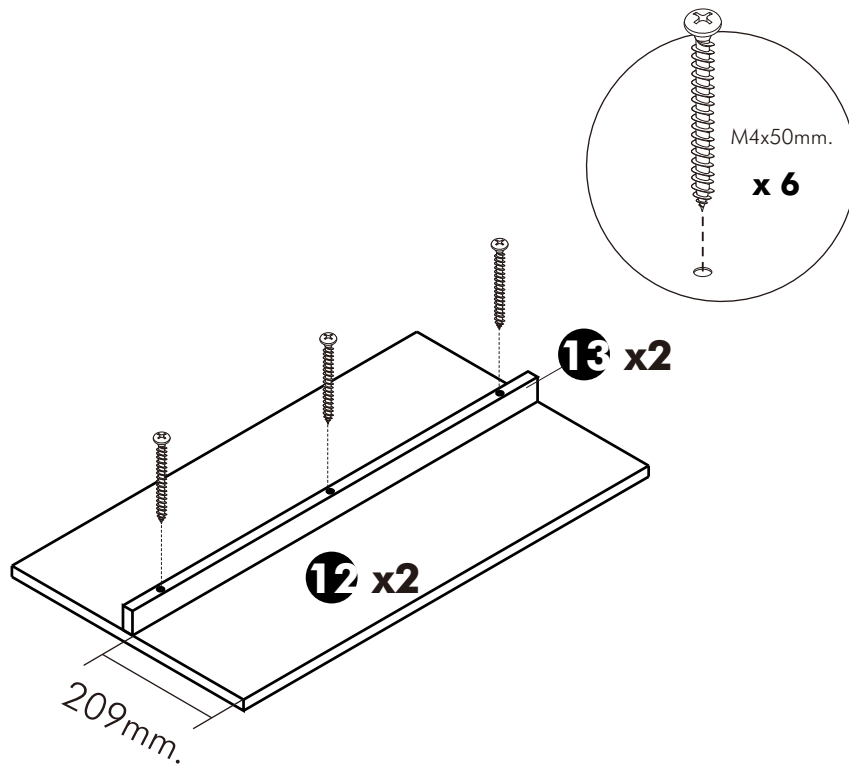
5.



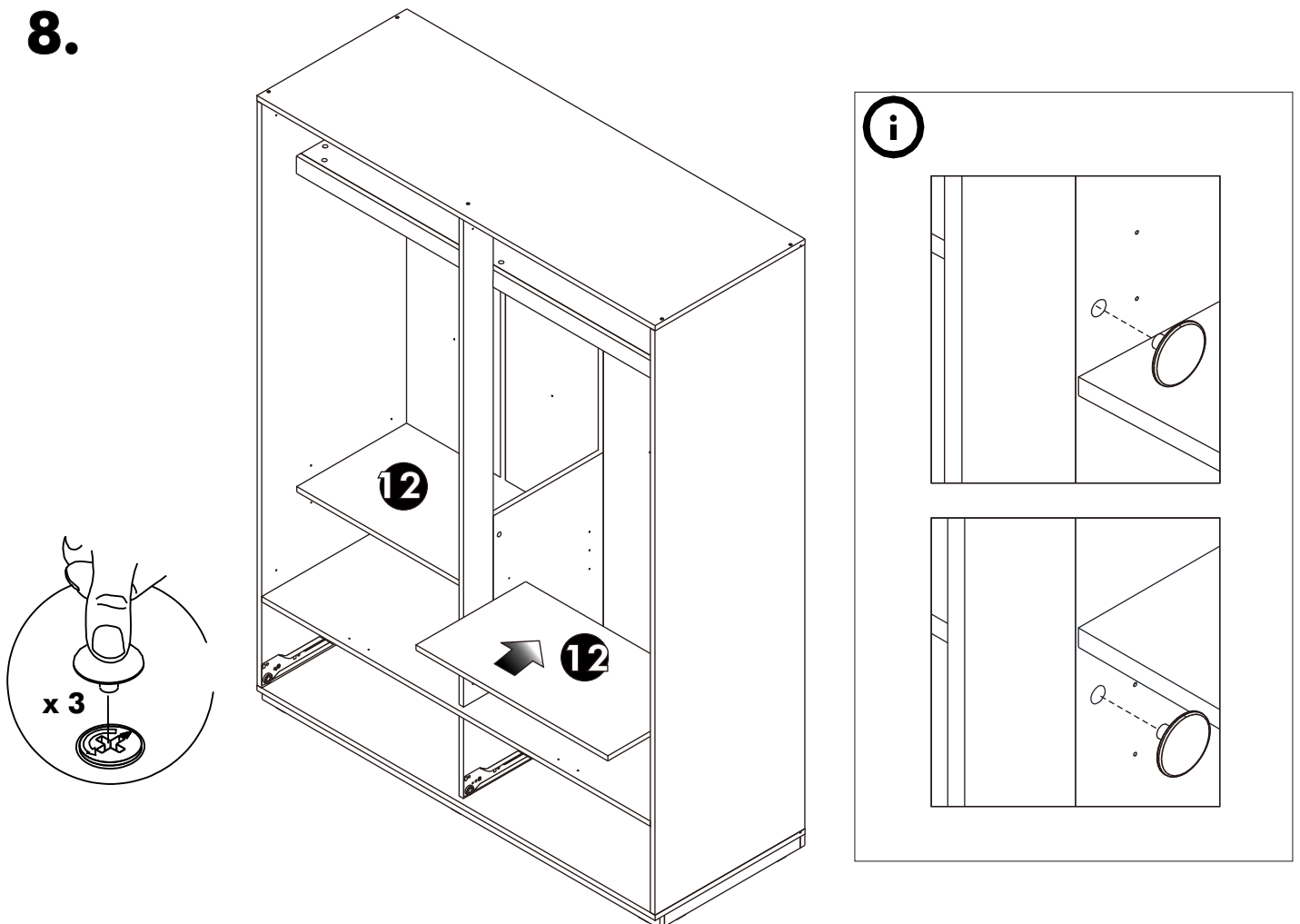
6.



7.

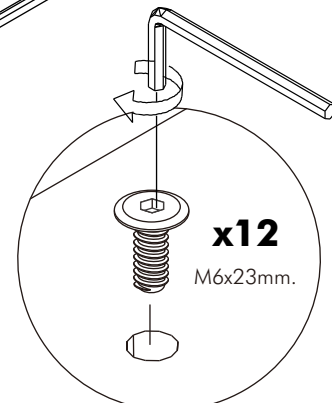
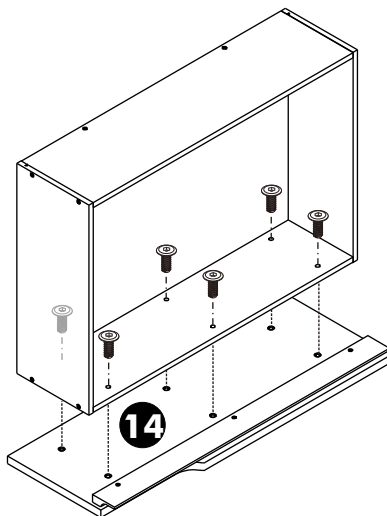
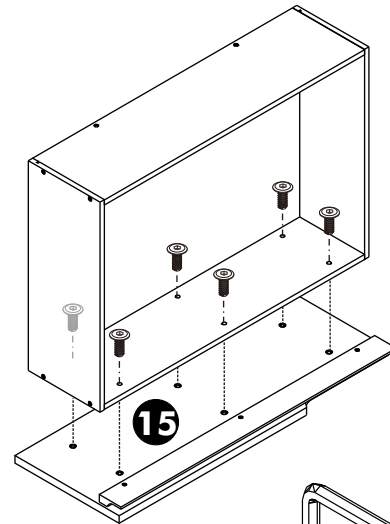
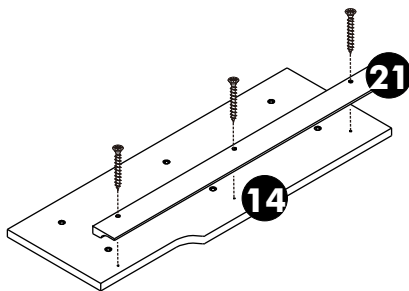
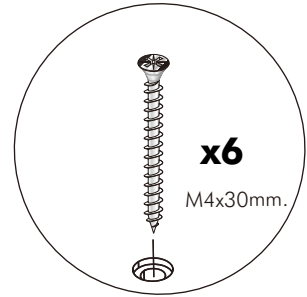
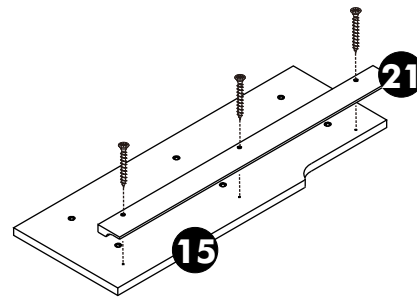
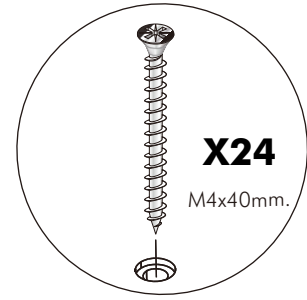
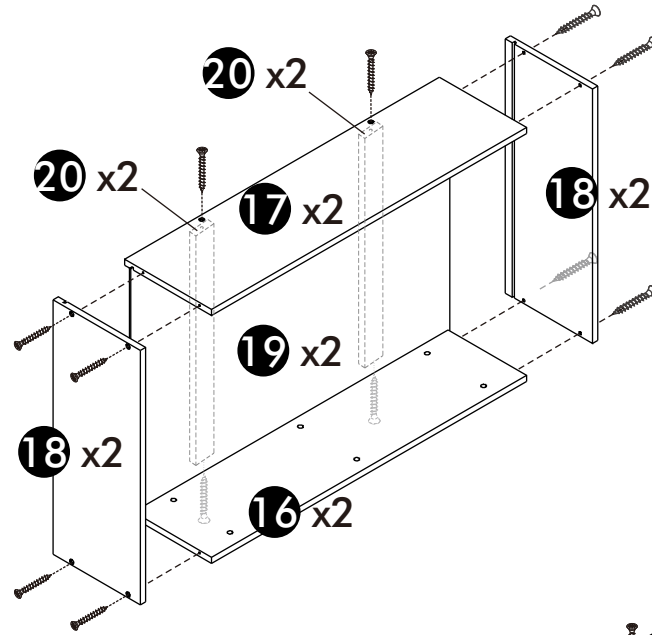


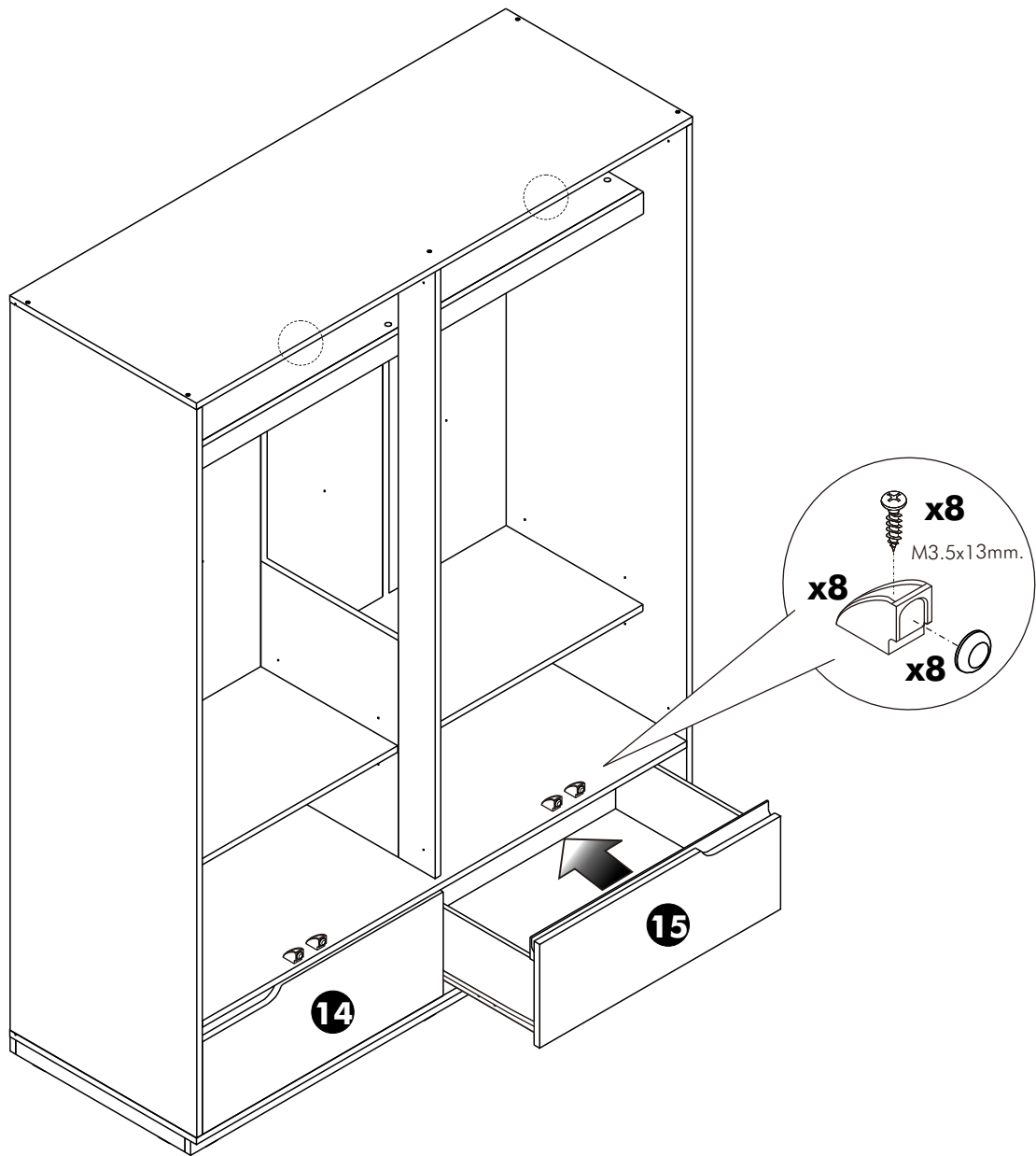
8.



ASSEMBLY

-DRAWER SET





ASSEMBLY

-DOOR SET

