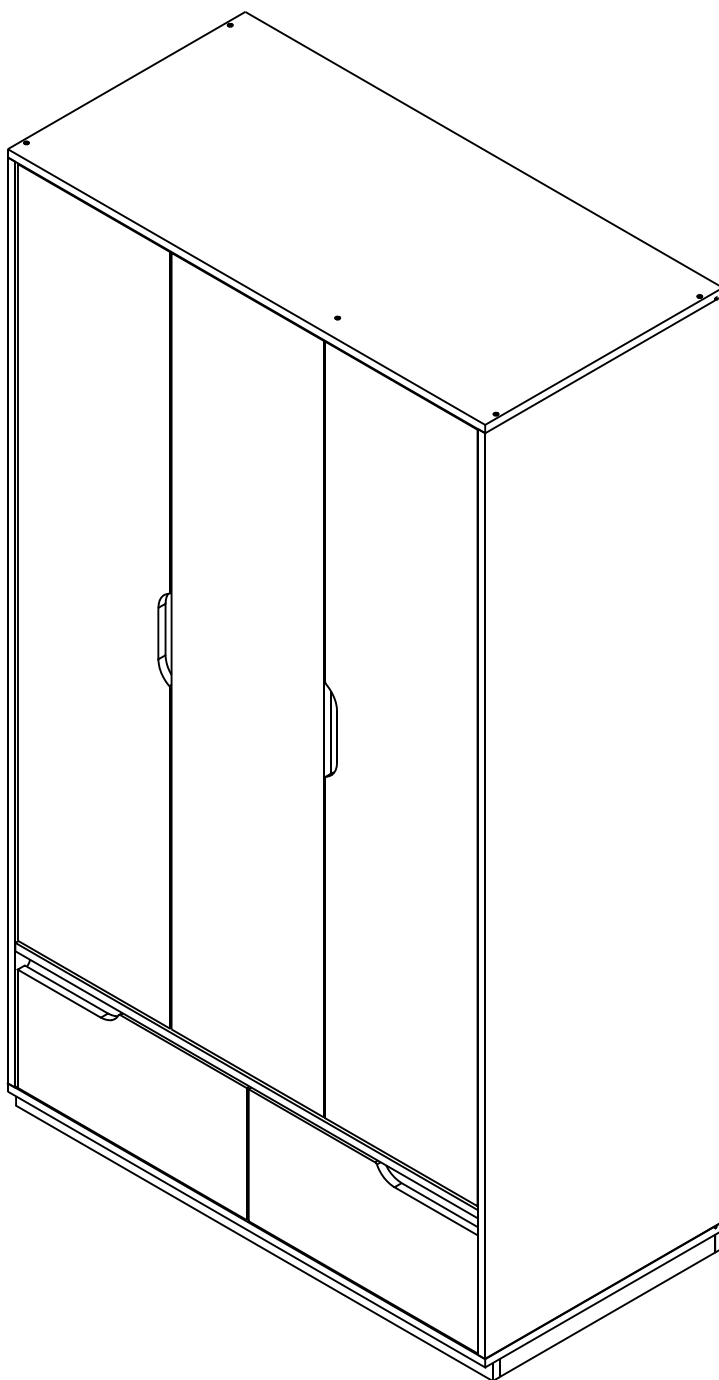
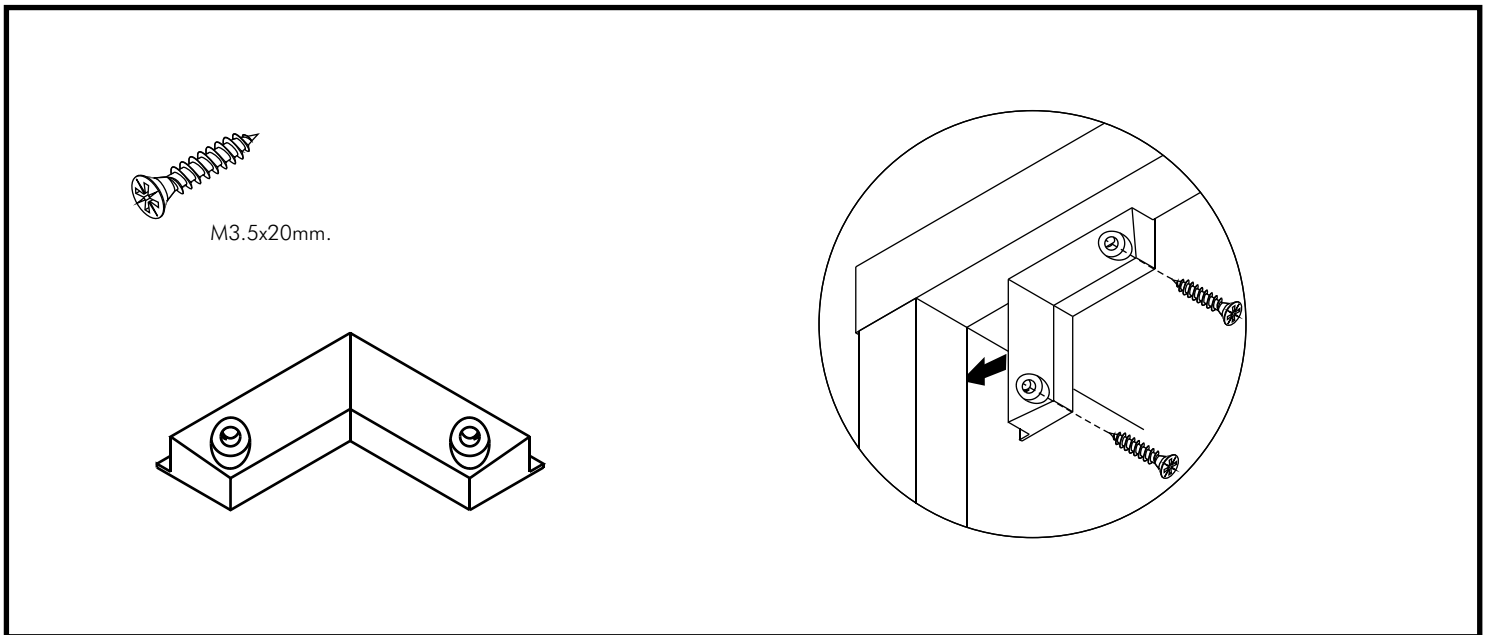
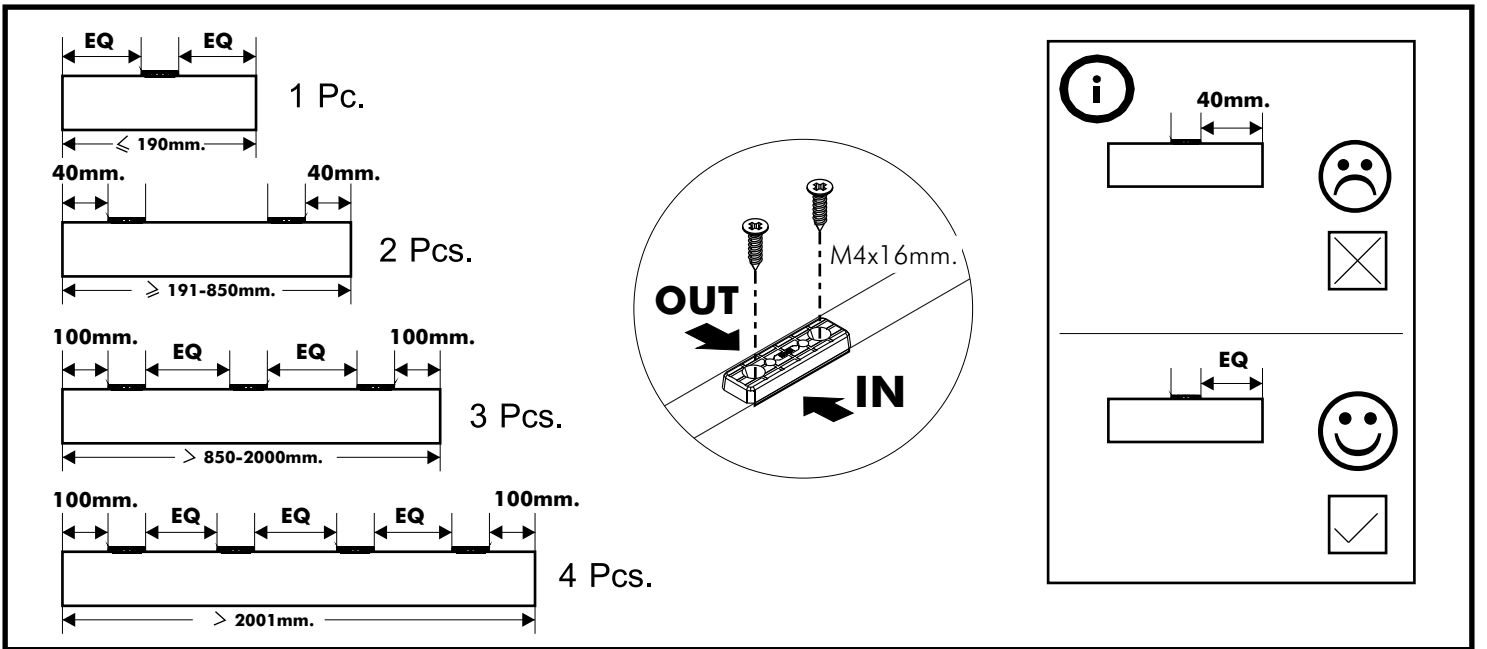
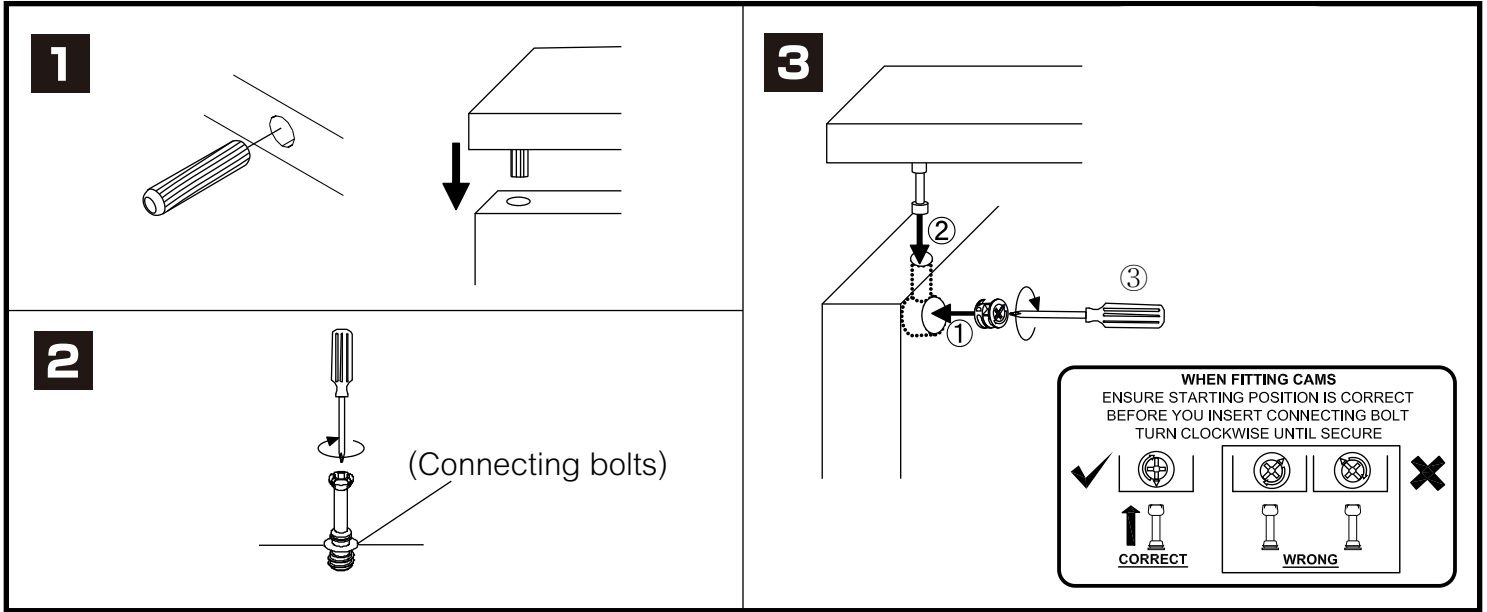


KARLSTAD

Wardrobe 3 drs



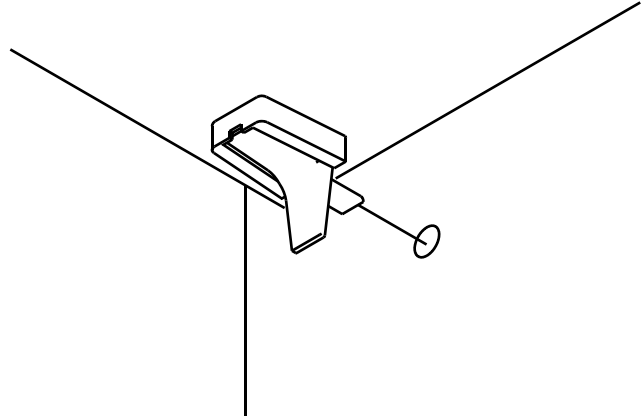
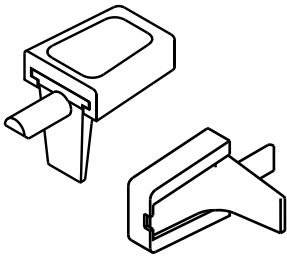
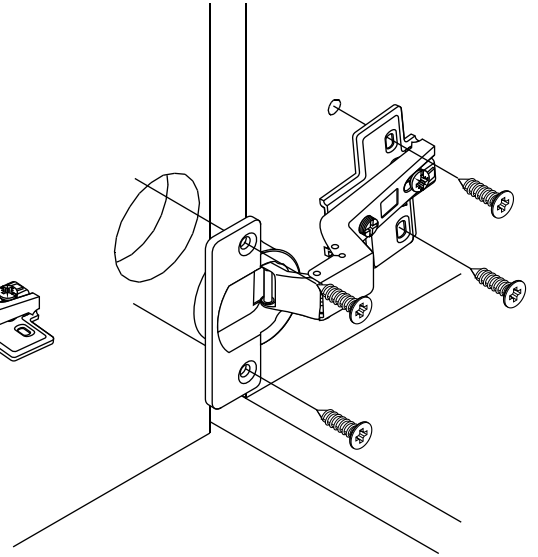
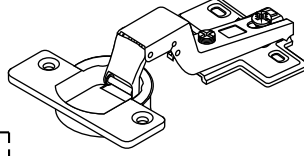
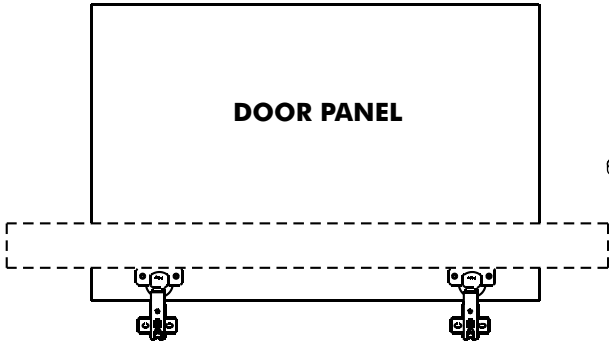
CONNECT SYSTEM





M4x16mm.

DOOR PANEL

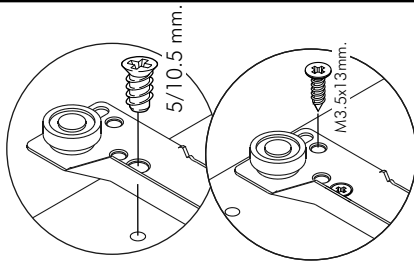


5/10.5 mm.



M3.5x13mm.

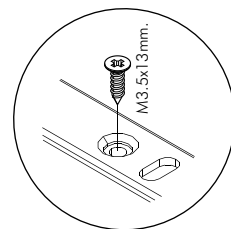
1



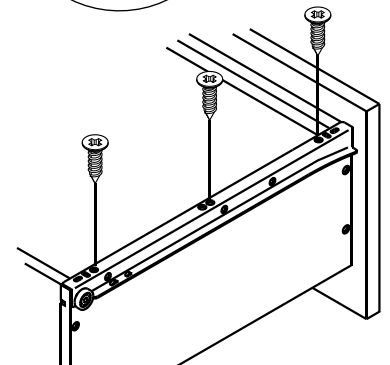
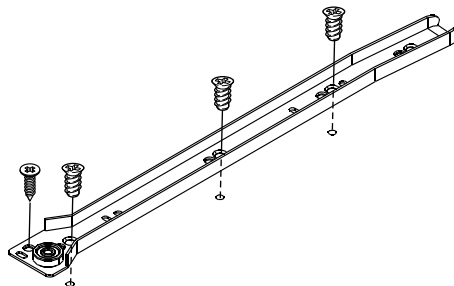
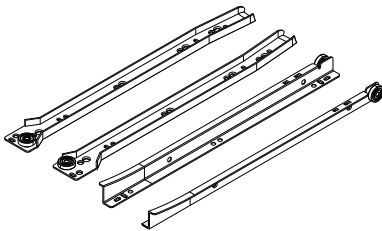
5/10.5 mm.

M3.5x13mm.

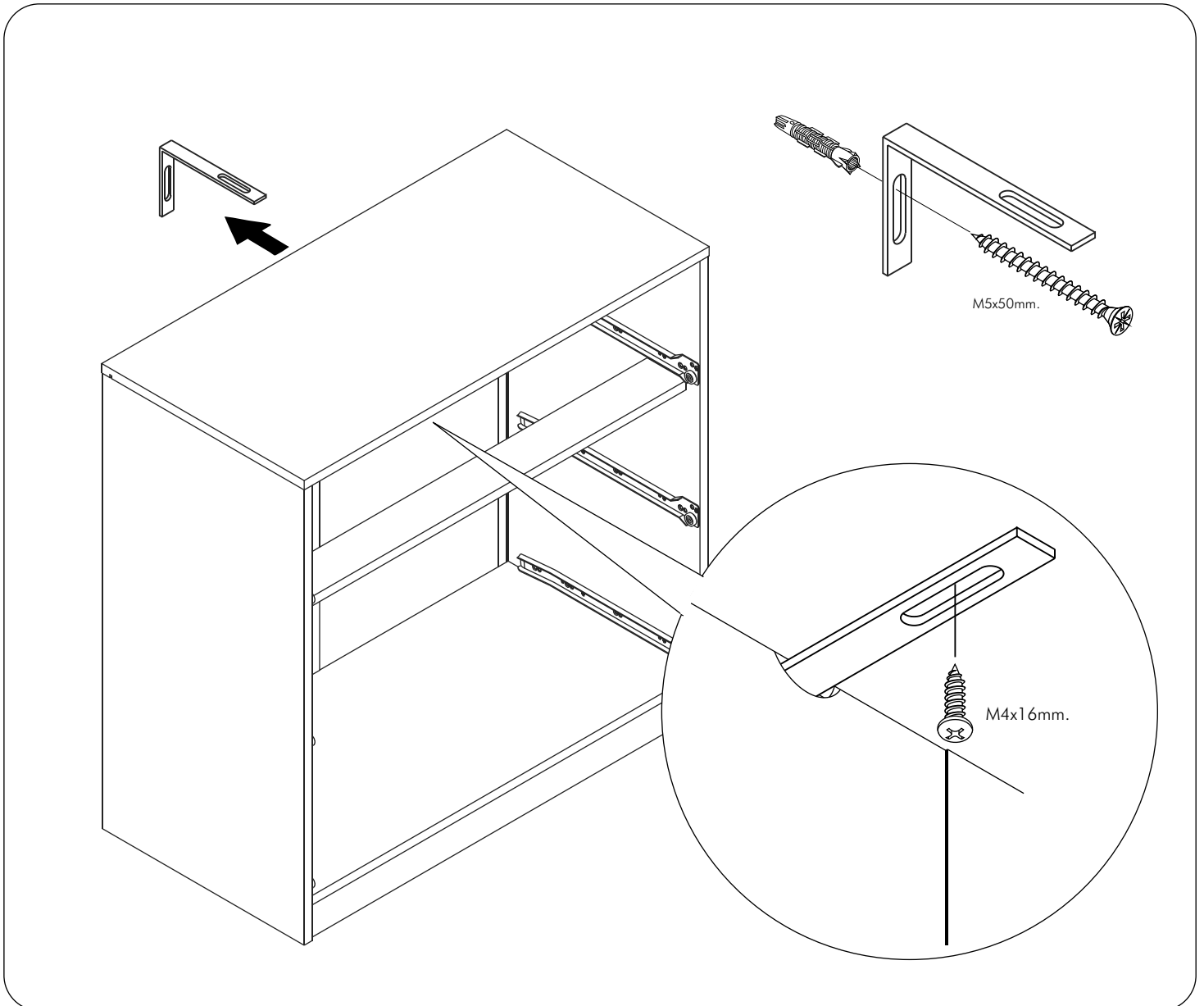
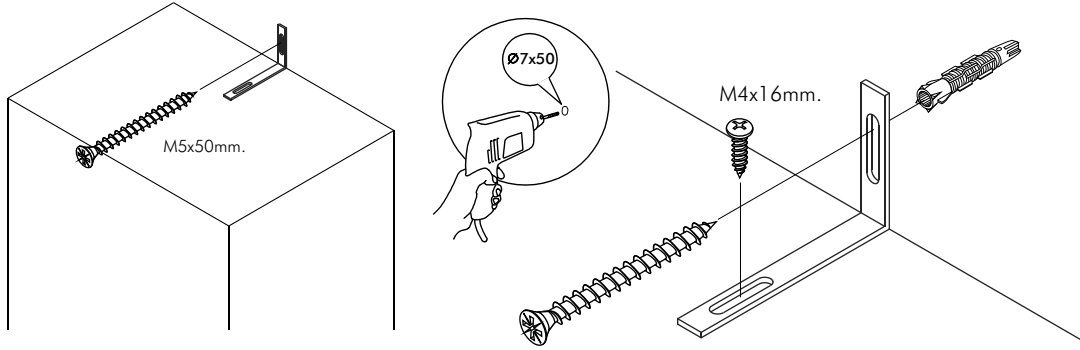
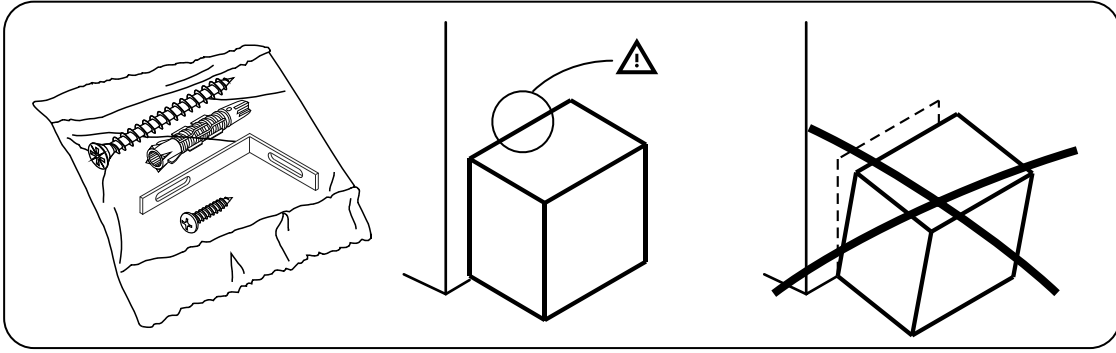
2



M3.5x13mm.

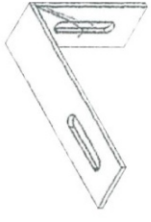


x2

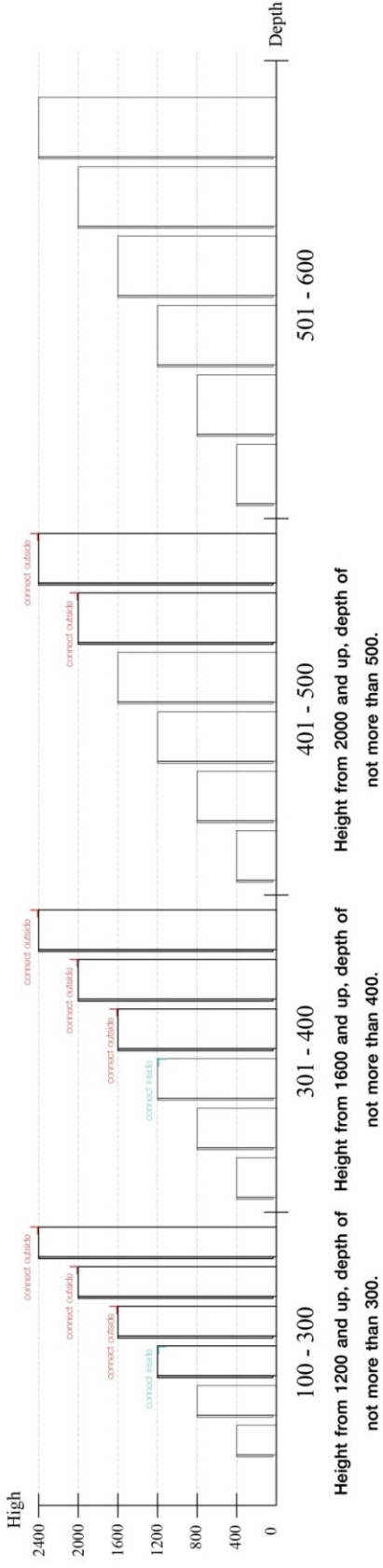


The Standard for identifying which mounted safety fall protection fitting to use **Note : That children's products must be installed with all anti-falling fittings.**

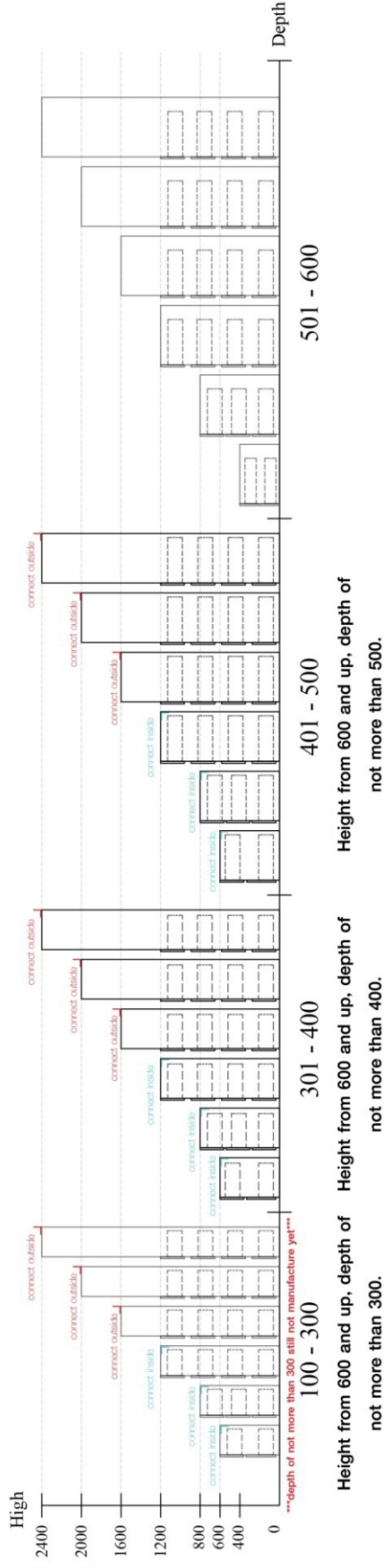
■ Mounted fall protection fittings



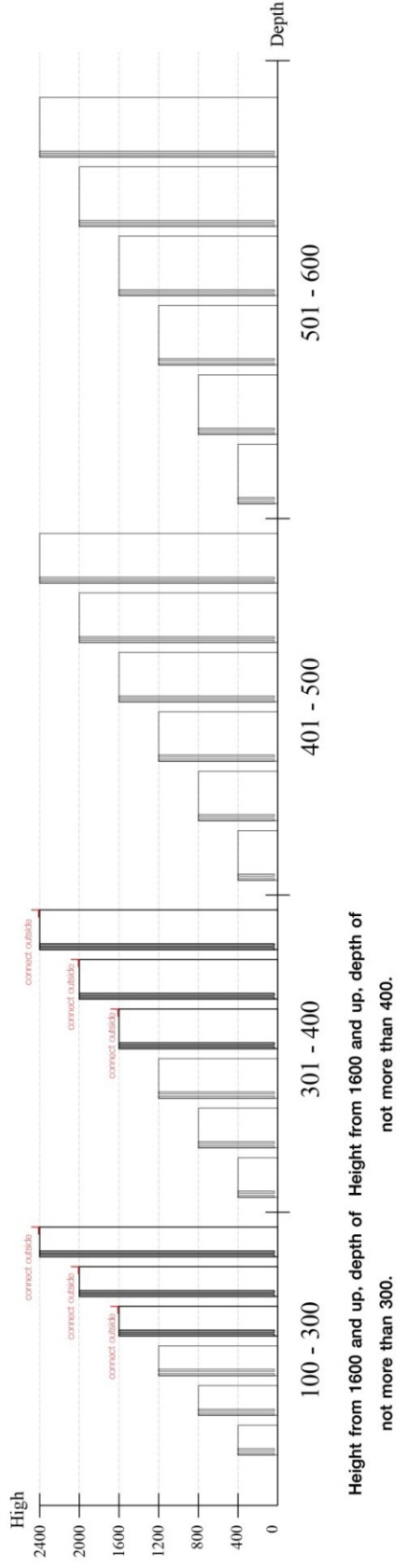
■ Category : Cabinet with open doors



■ Category : Chest of drawers

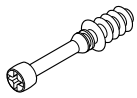


■ Category : Sliding door cabinet / Open cabinet



HARDWARE

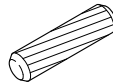
-BODY SET



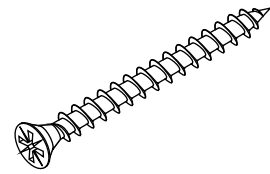
x 16



x 16

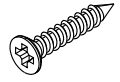


x 38



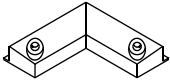
M4x50mm.

x 13



M3.5x20mm.

x 8



x 4



x 2



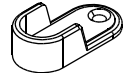
M4x25mm.

x 6

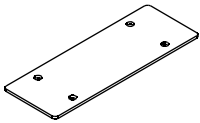


M3.5x13mm.

x 4



x 2

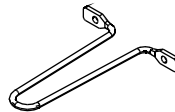


x 2



M4x16mm.

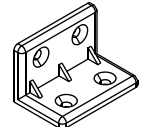
x 21



x 1



x 8



x 17

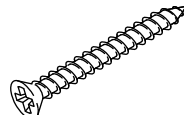


M4x16mm.

x 92

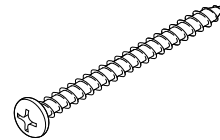


x 3



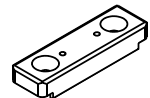
M4x40mm.

x 1

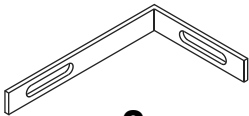


M4x50mm.

x 5



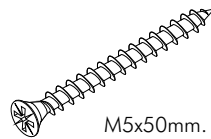
x 12



x 2



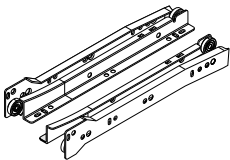
x 2



M5x50mm.

x 2

-DRAWER SET

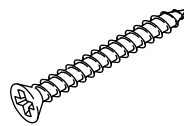


x 2



M3.5x13mm.

x 16



M4x40mm.

x 20



M6x23mm.

x 10

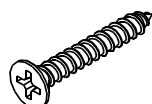


x 1



#GAL5/10.5 mm.

x 12

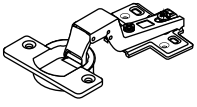


M4x30mm.(BLACK)

x 6

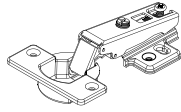
HARDWARE

-DOOR SET



(INSERT MOUNTING)

x 8



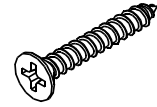
(FULL OVERLAY)

x 4



M4x16mm.

x 72



M4x30mm.(BLACK)

x 8



M4x25mm.(BLACK)

x 12



x 6



x 6



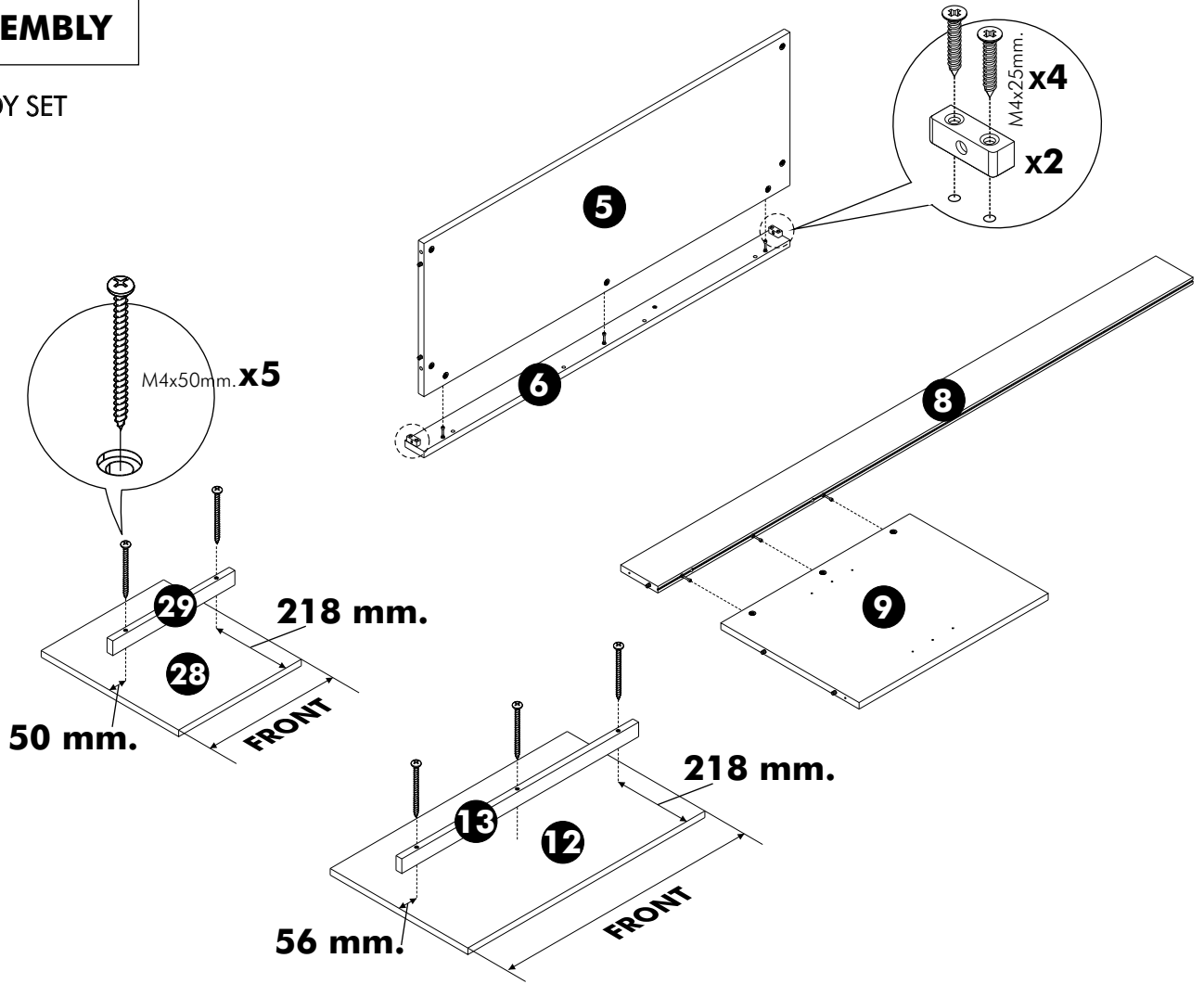
M3.5x13mm.

x 6

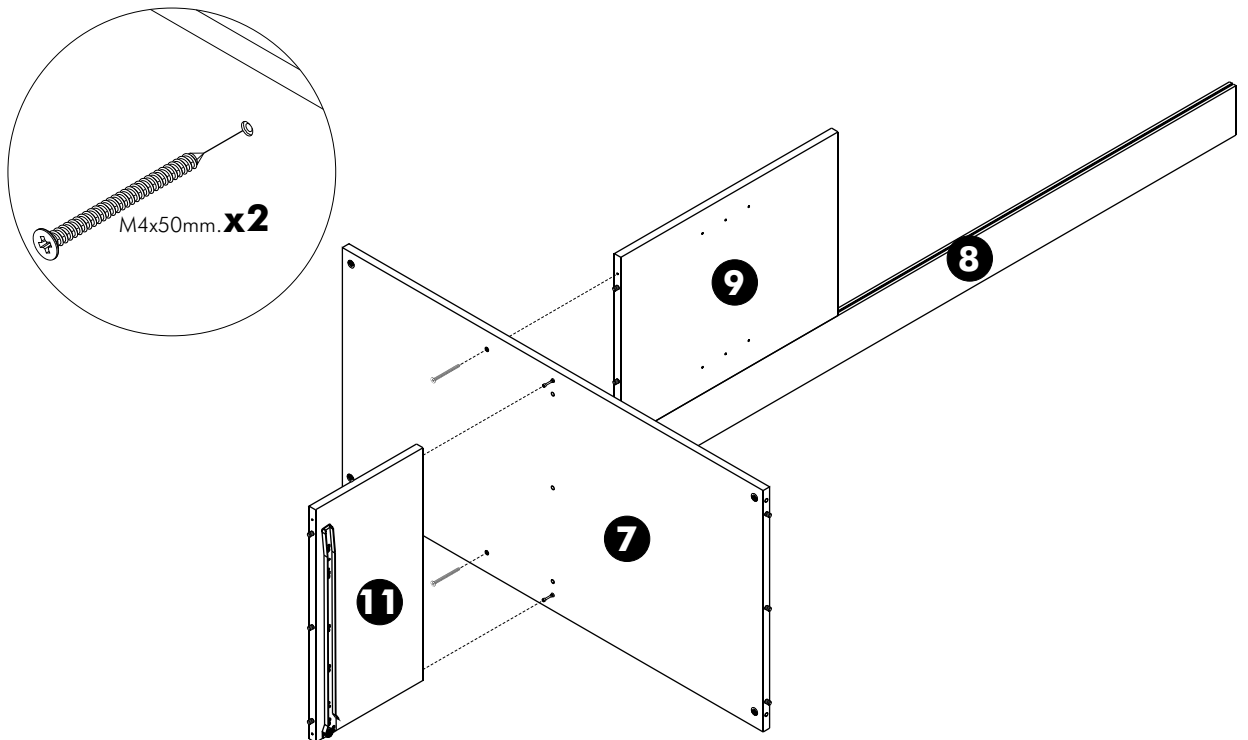
ASSEMBLY

-BODY SET

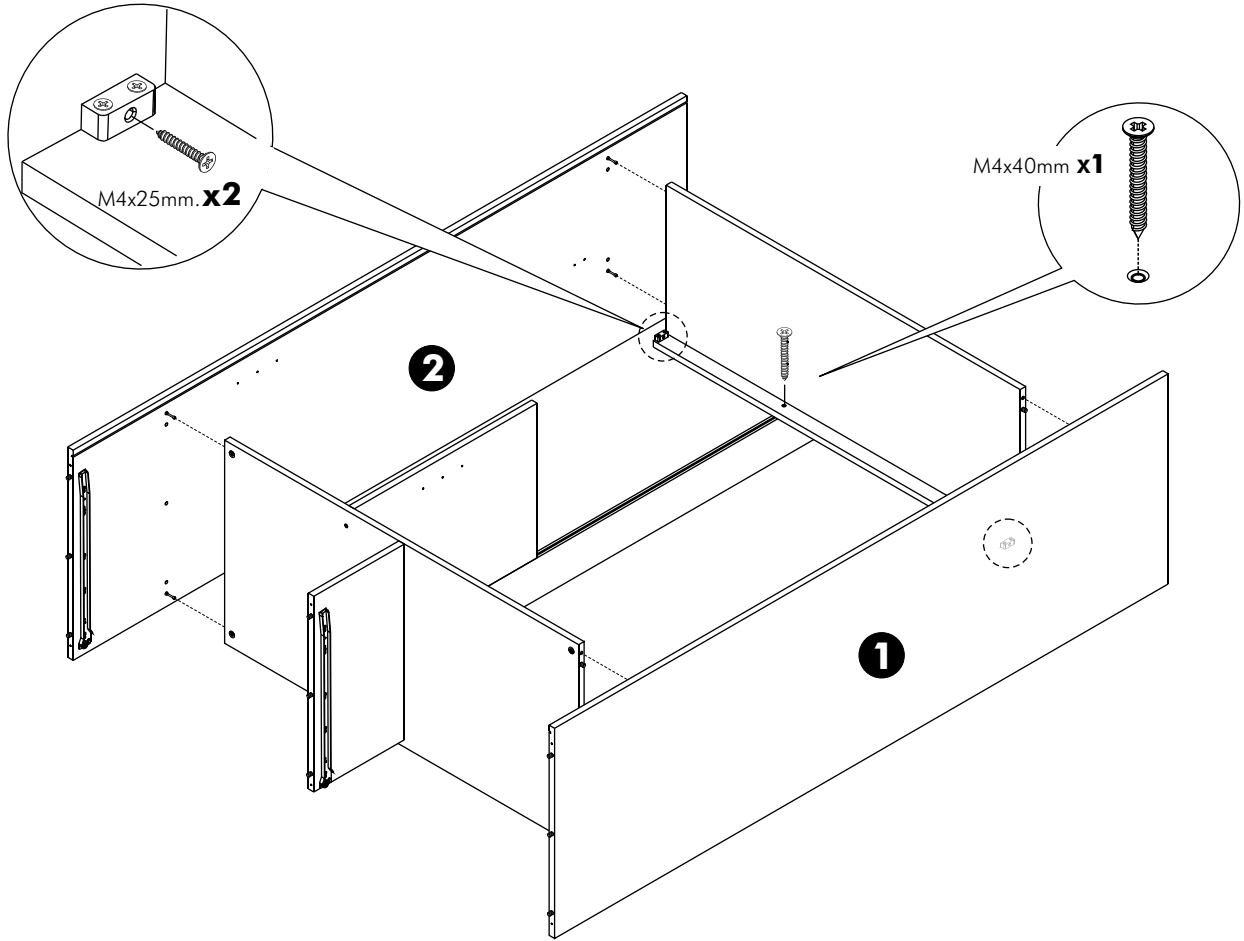
1.



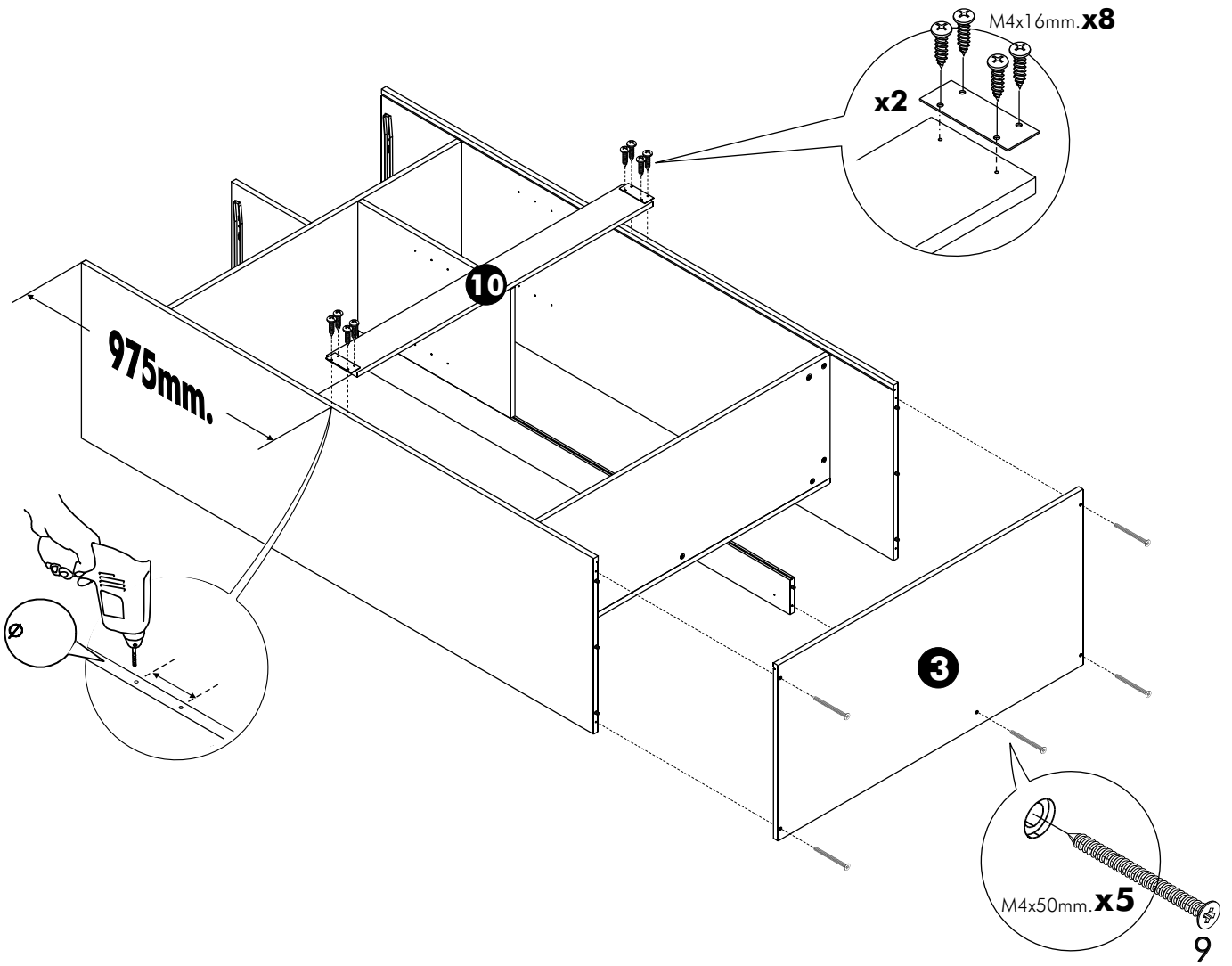
2.



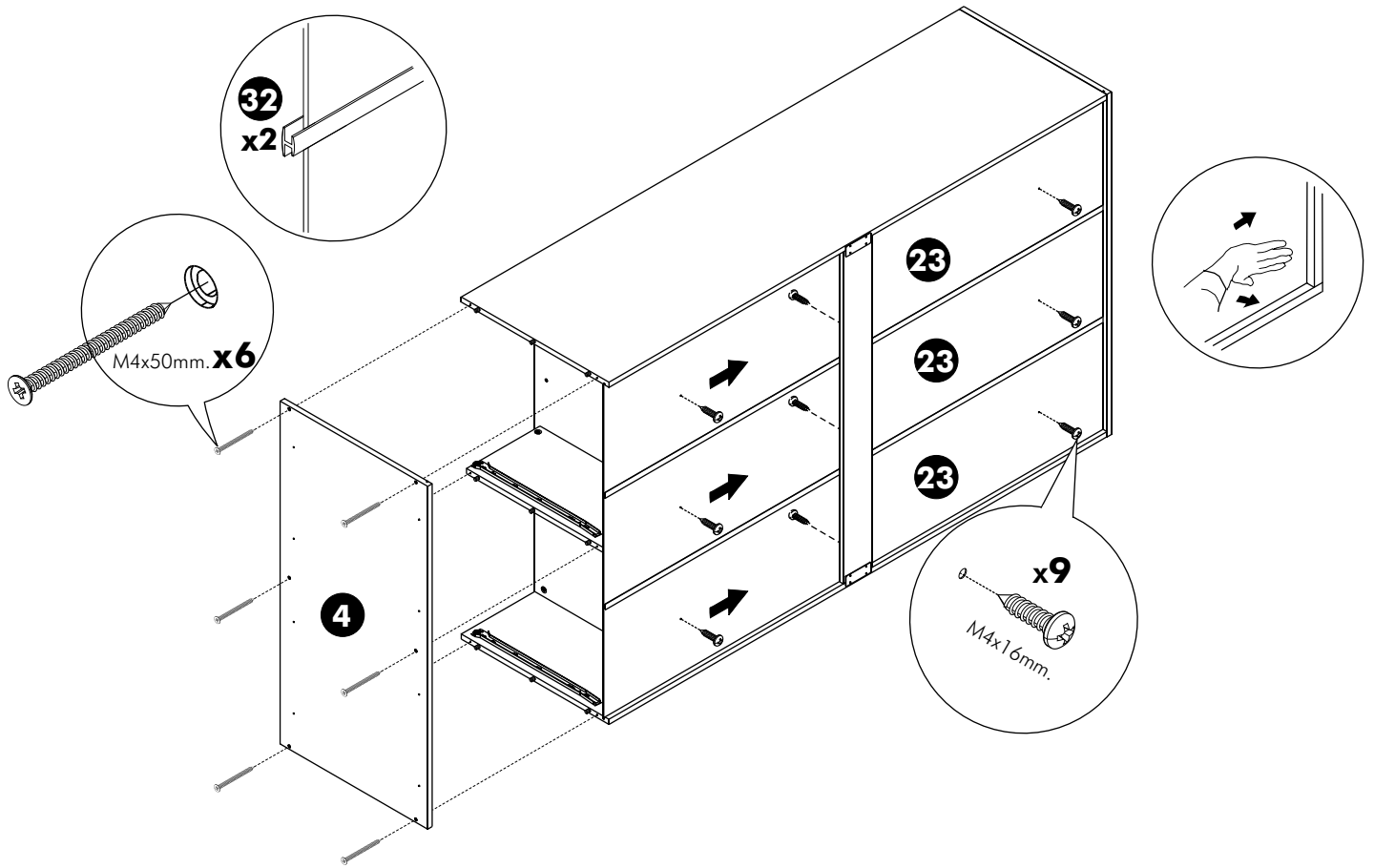
3.



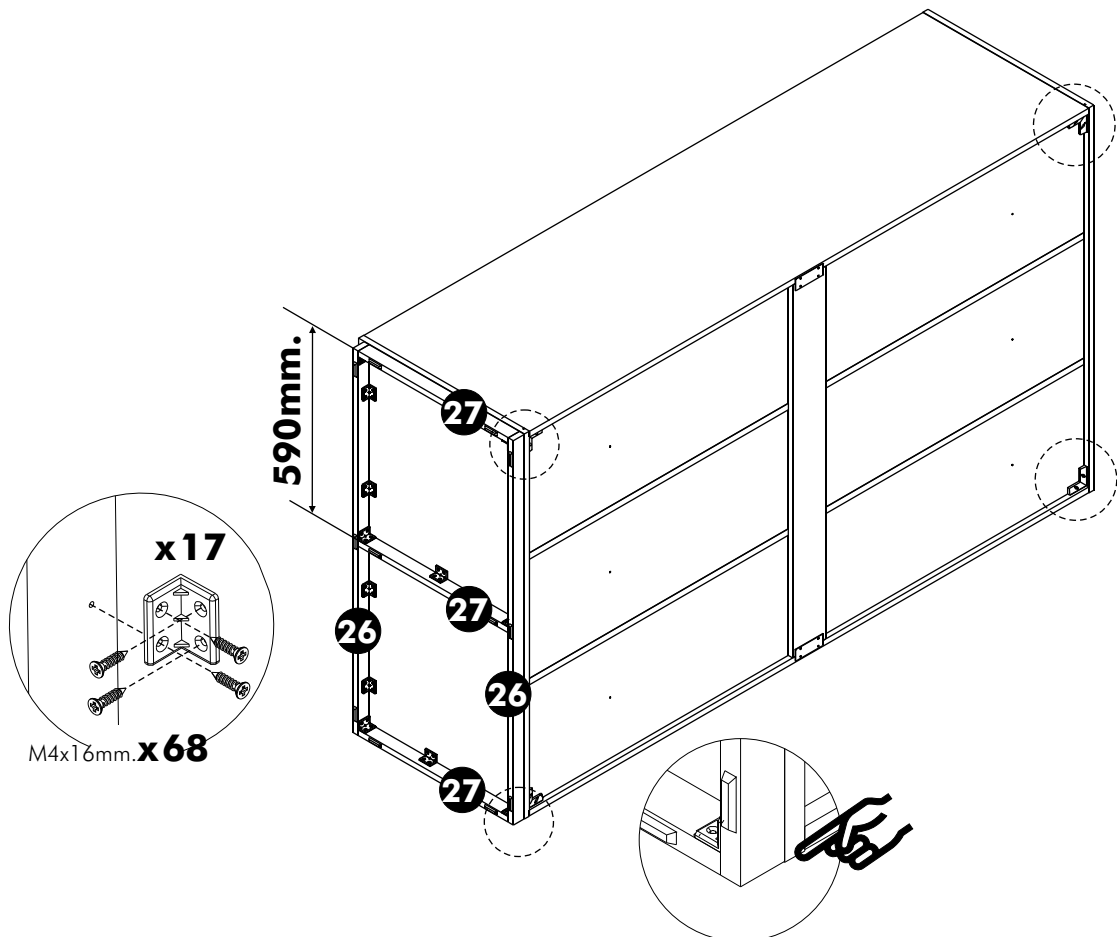
4.



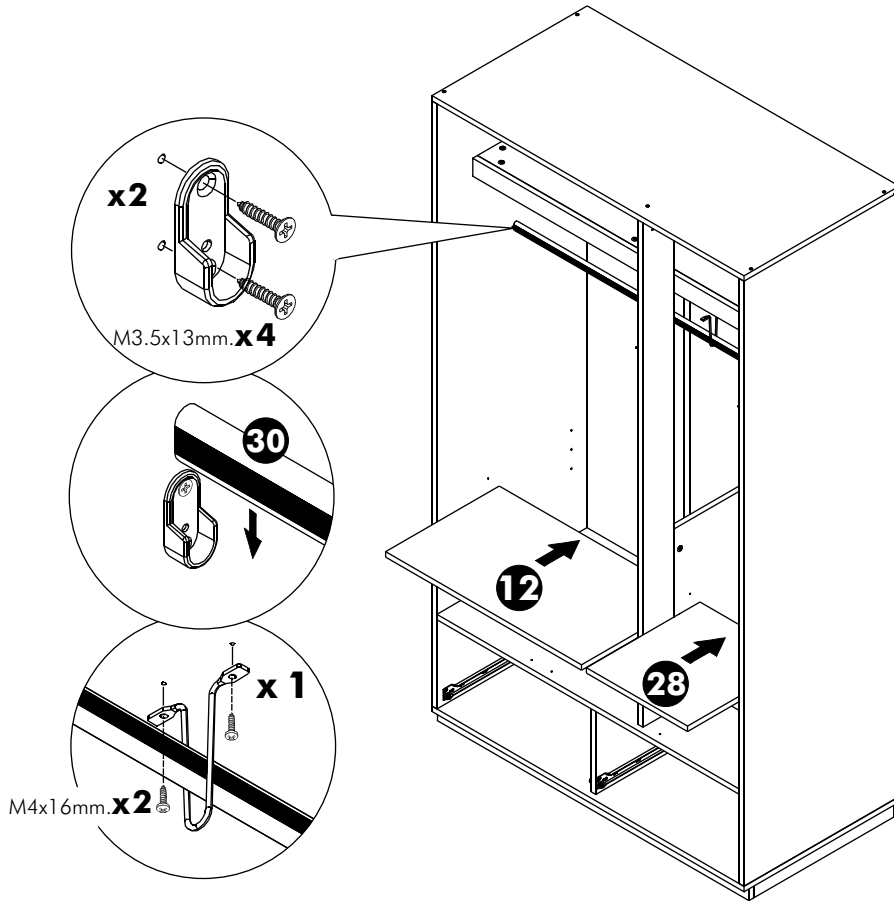
5.



6.

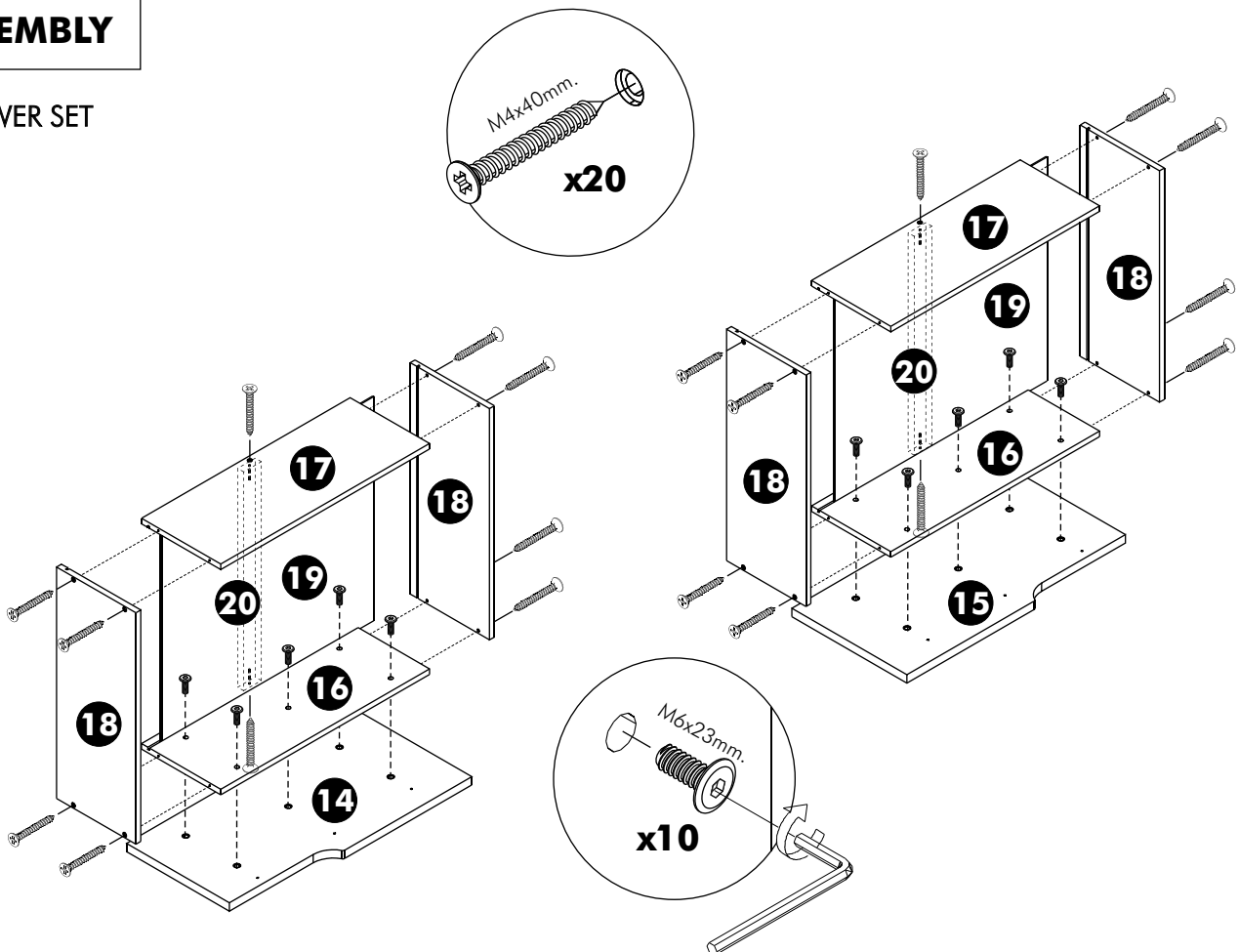


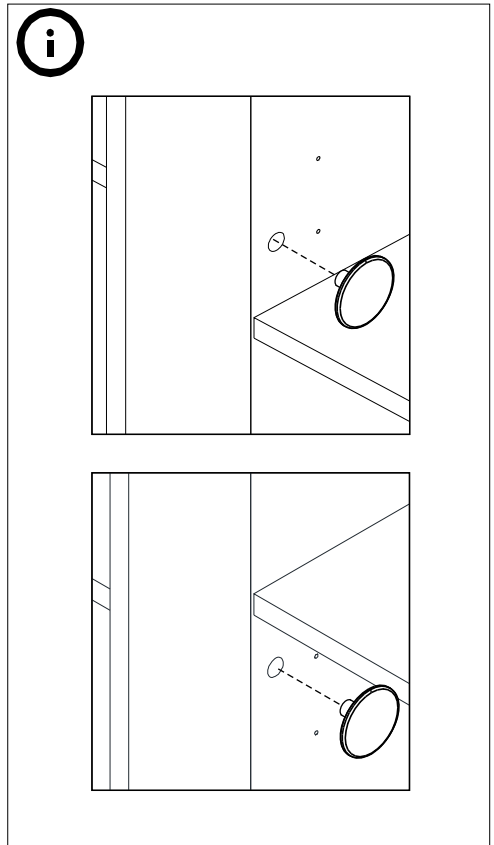
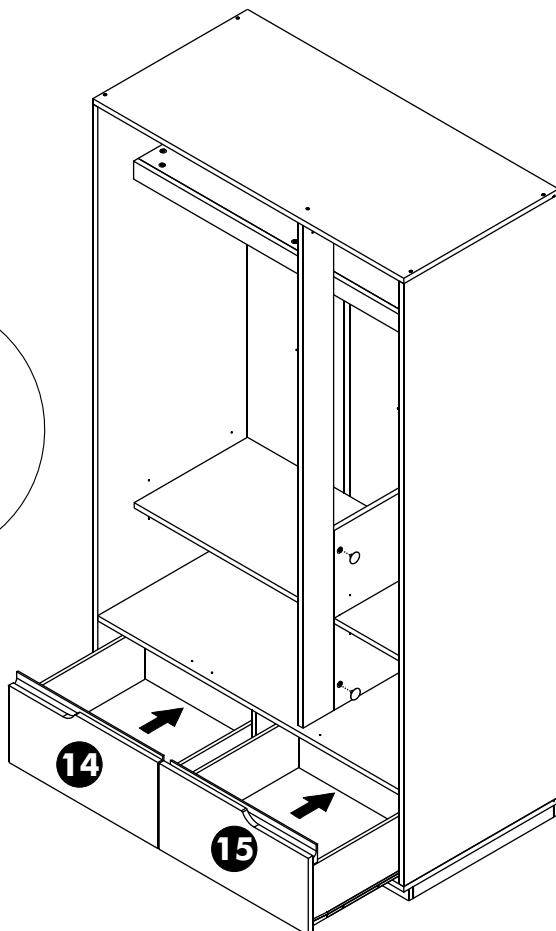
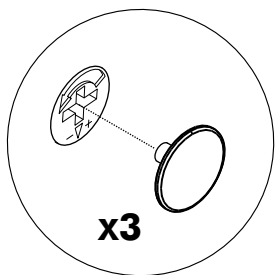
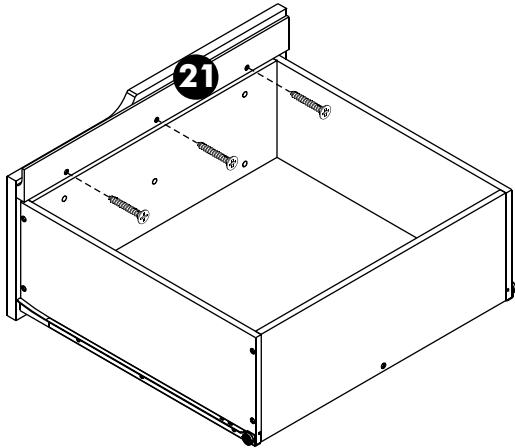
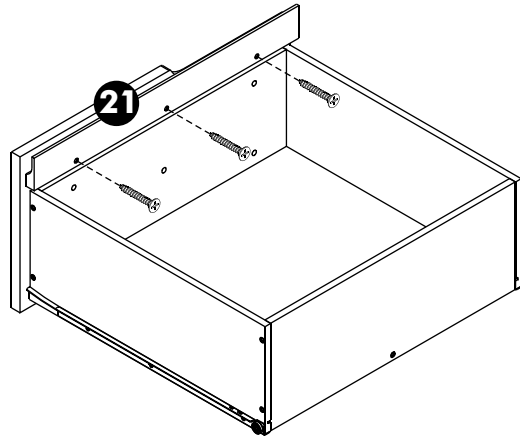
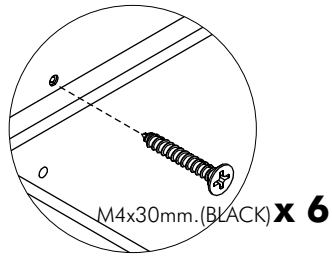
7.



ASSEMBLY

-DRAWER SET





ASSEMBLY

-DOOR SET

