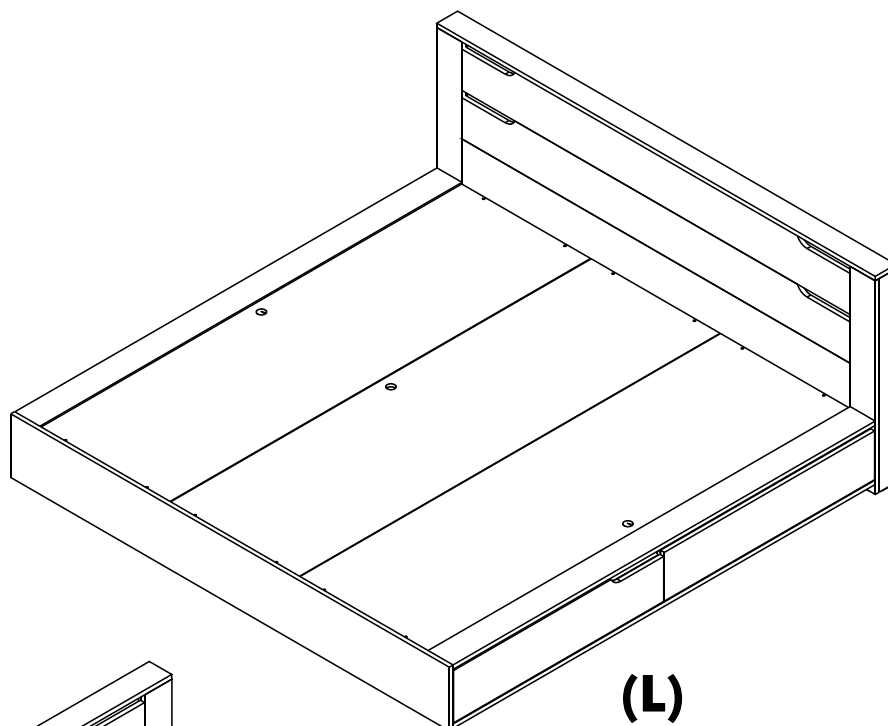


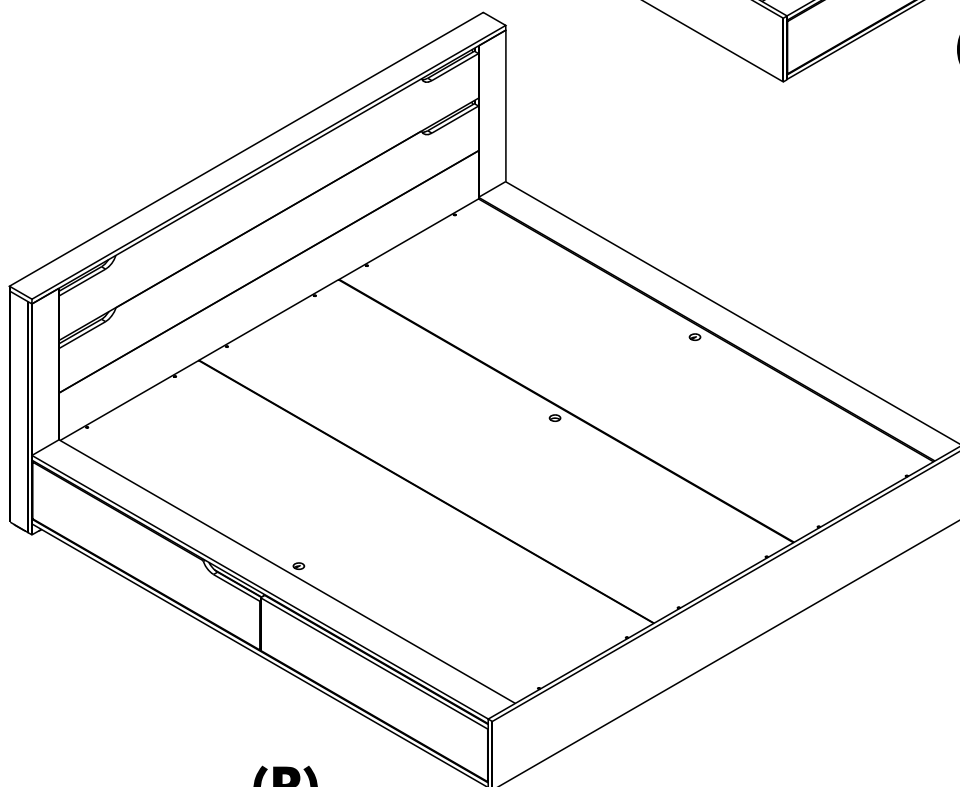
# KARLSTAD

Bed 5 FT.

Bed 6 FT.

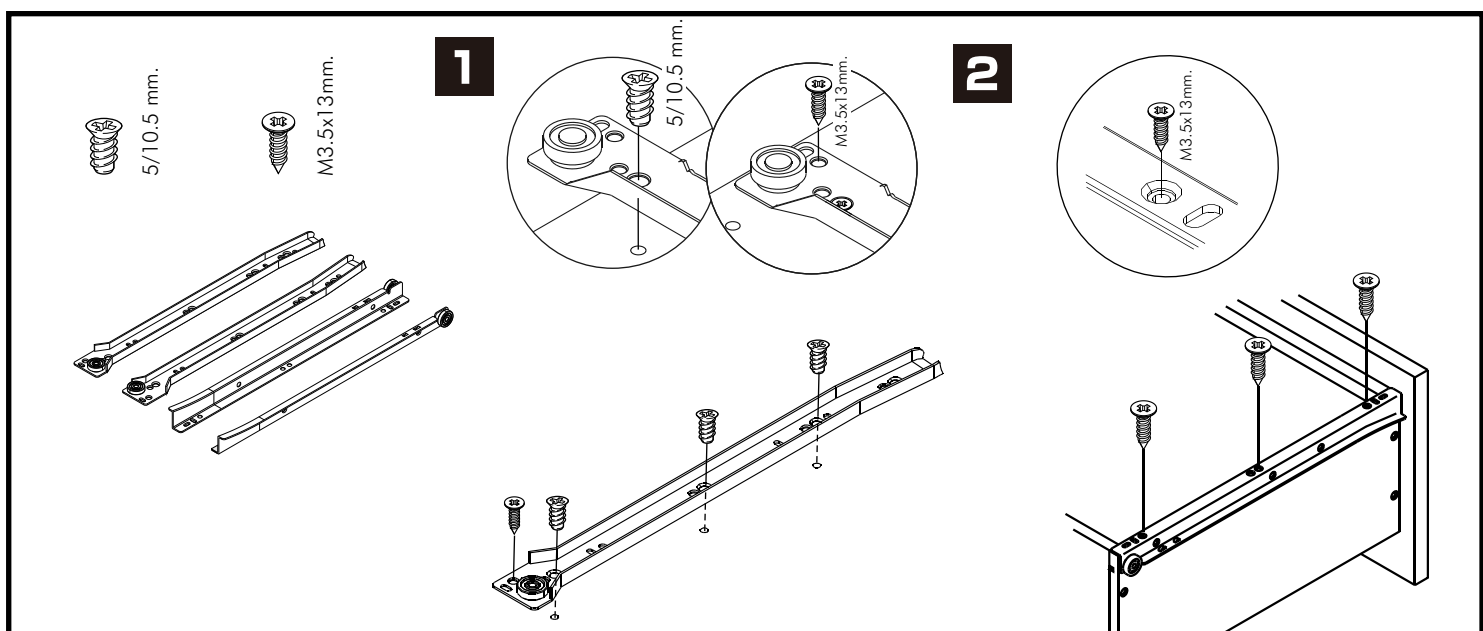
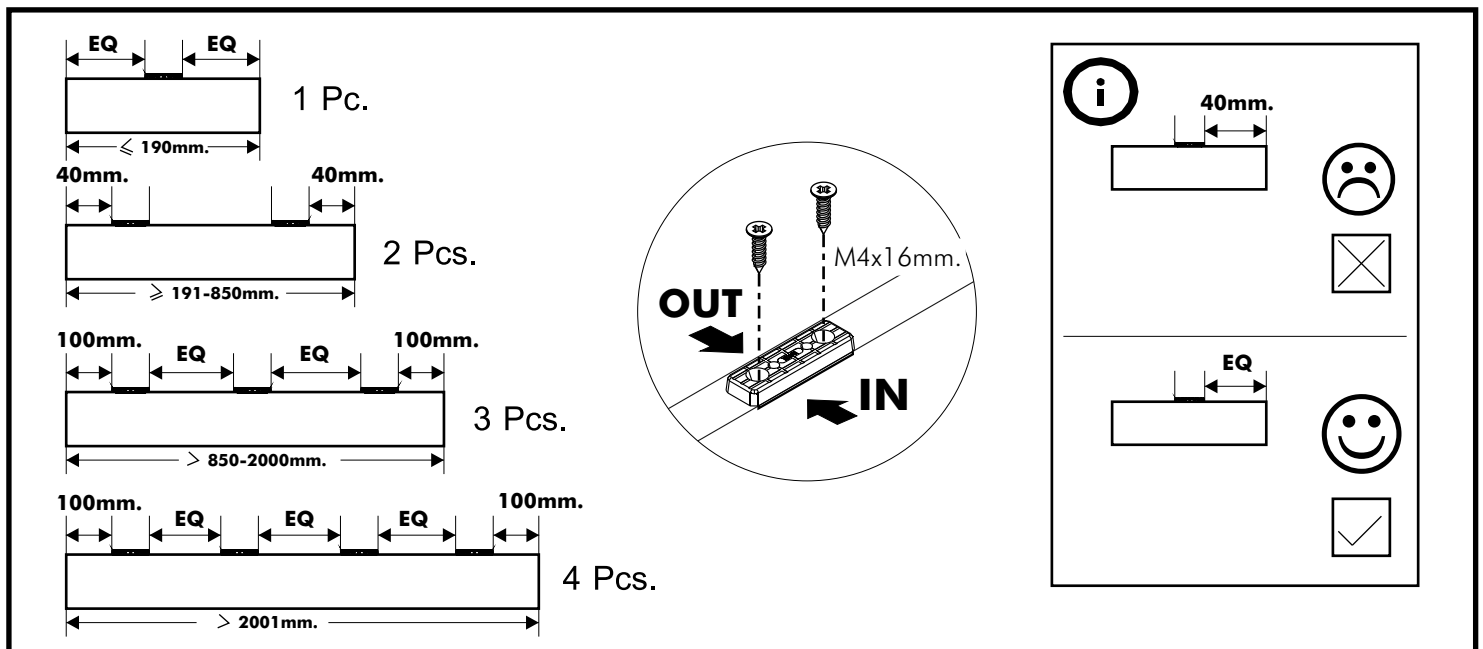
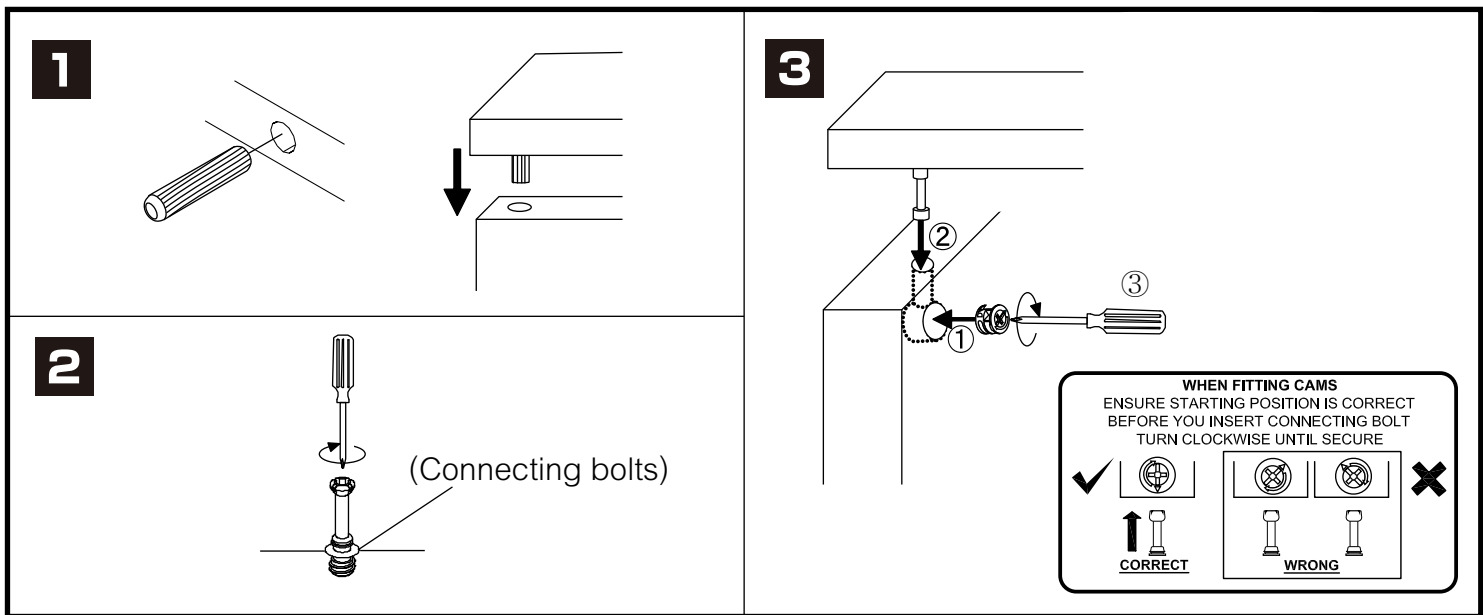


(L)

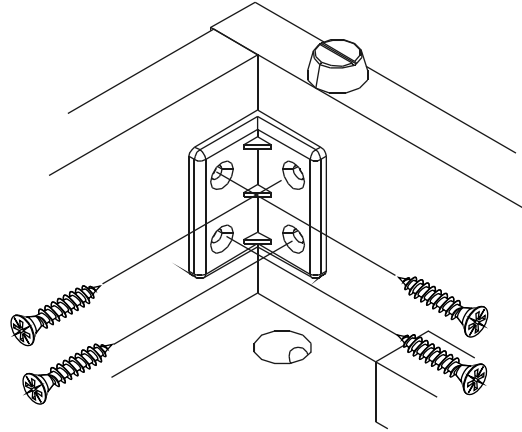
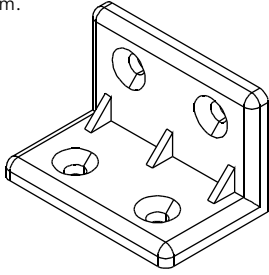


(R)

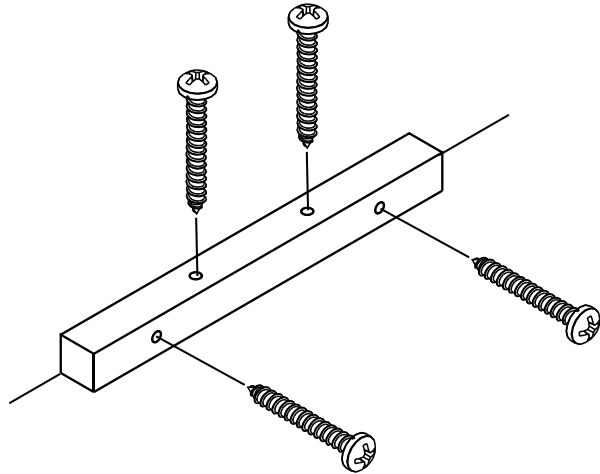
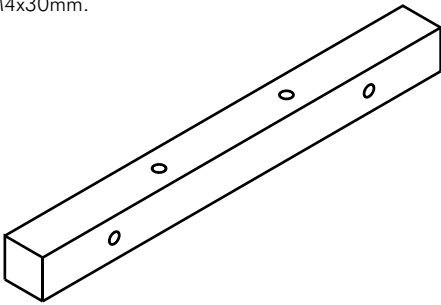
# CONNECT SYSTEM



M4x16mm.

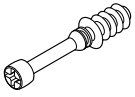


M4x30mm.



# HARDWARE

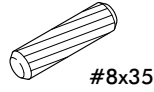
## -BODY SET



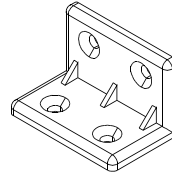
**x 2**



**x 2**



**x 32**



**x 8**



**x 3**



M4x16mm.

**x 11**



M4x30mm.

**x 30**

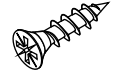


**x 4**



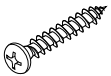
M4x50mm.

**x 28**



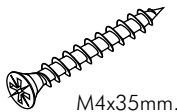
M4x16mm.

**x 94**



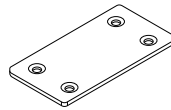
P+M4x30mm.

**x 72**

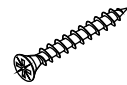


M4x35mm.

**x 6**

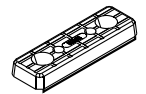


**x 1**



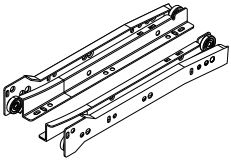
M4x20mm.

**x 4**



**x 25**

## -DRAWER SET

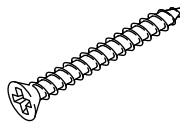


**x 2**



M3.5x13mm.

**x 16**



M4x40mm.

**x 24**



M6x23mm.

**x 12**



**x 1**



#GAL5/10.5 mm.

**x 12**

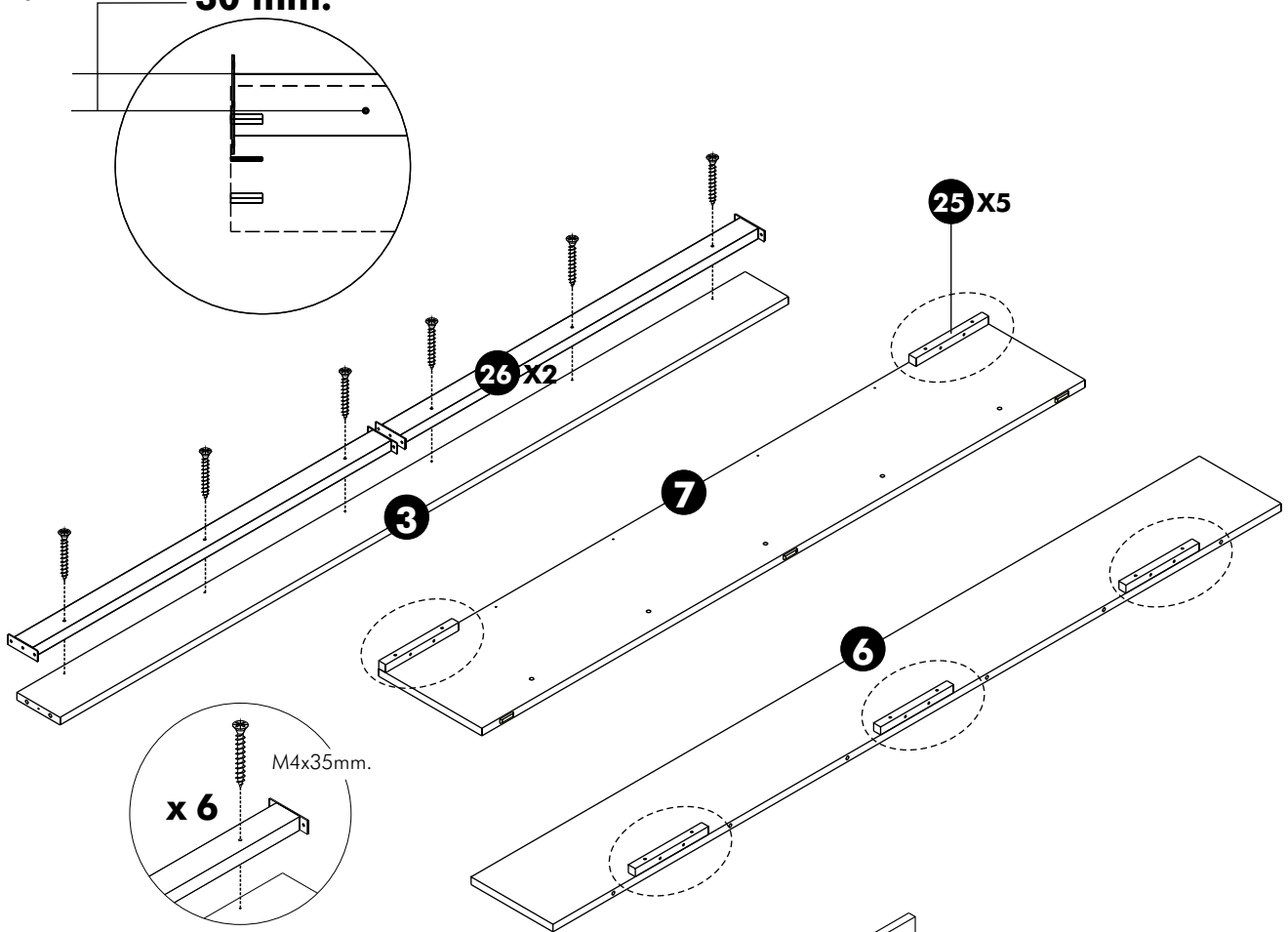


M4x30mm.(BLACK)

**x 8**

1.

30 mm.



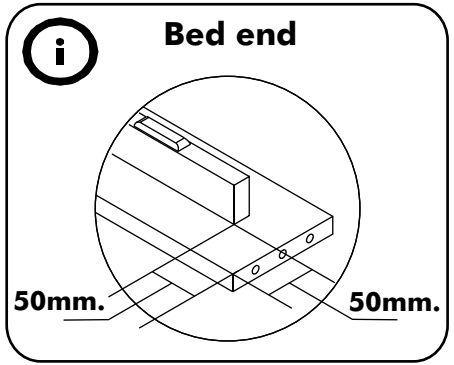
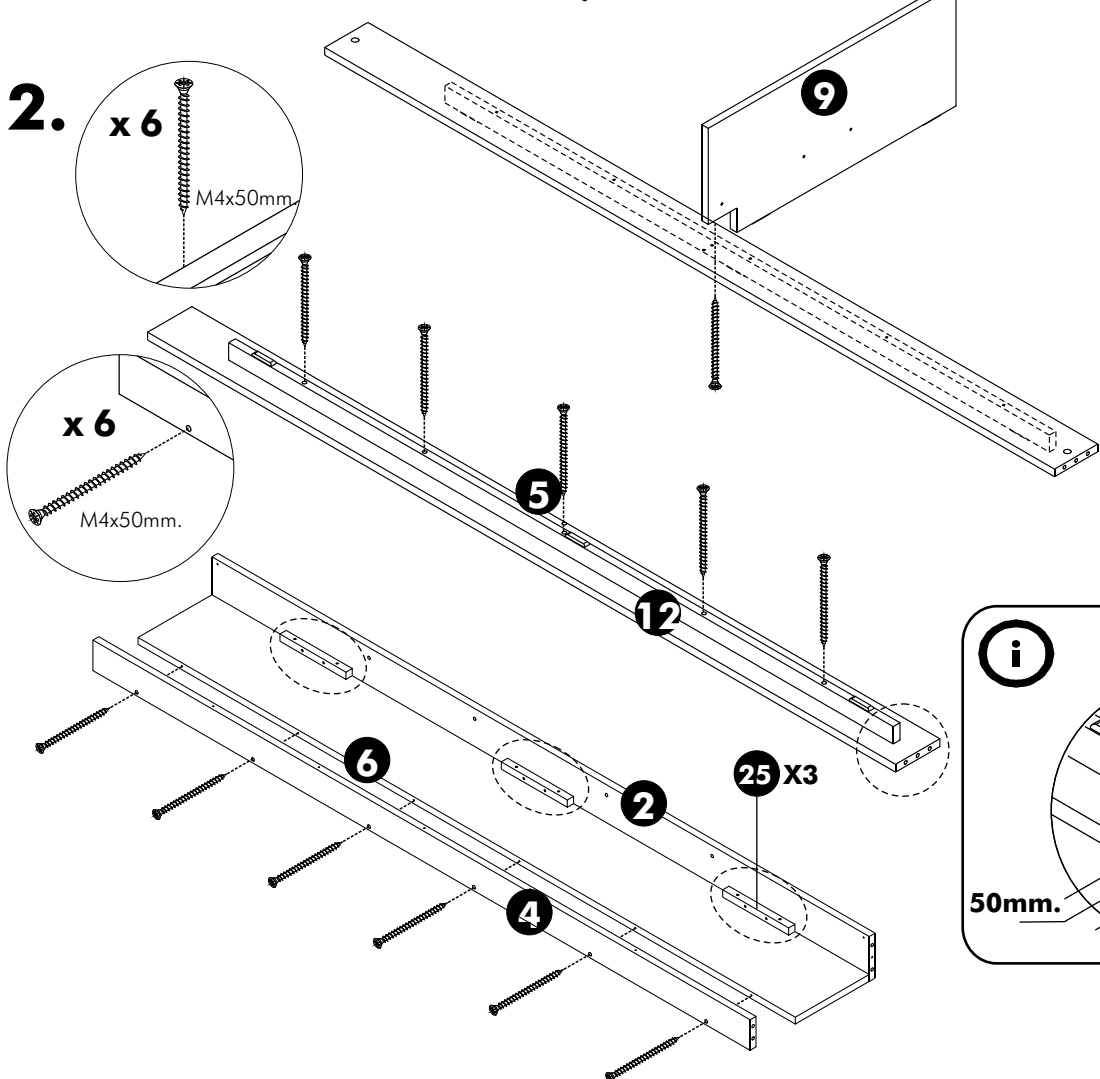
2.

x 6

M4x50mm

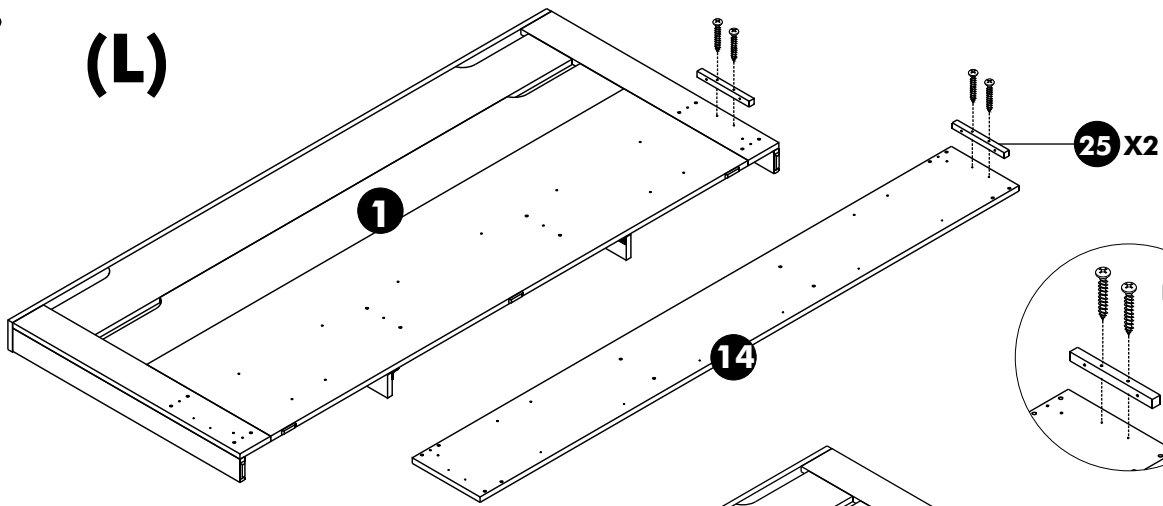
x 6

M4x50mm.

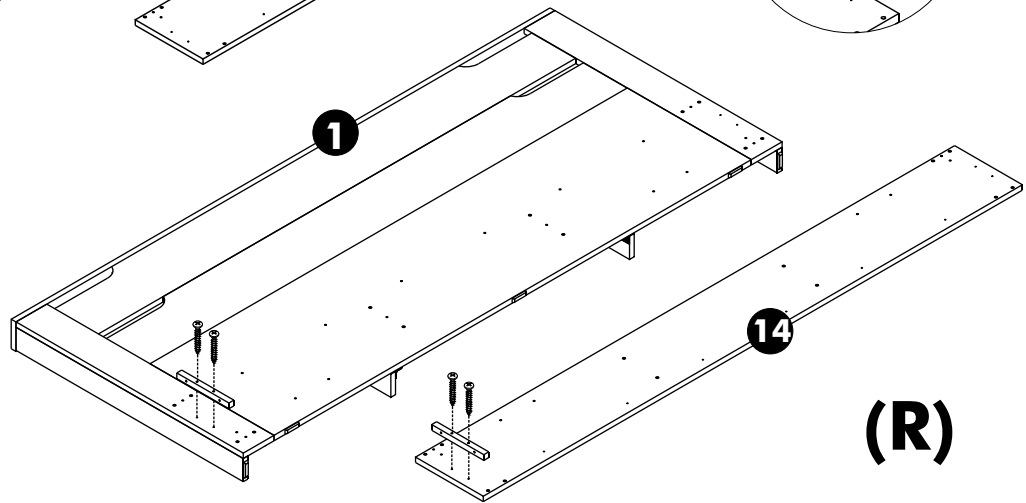


3.

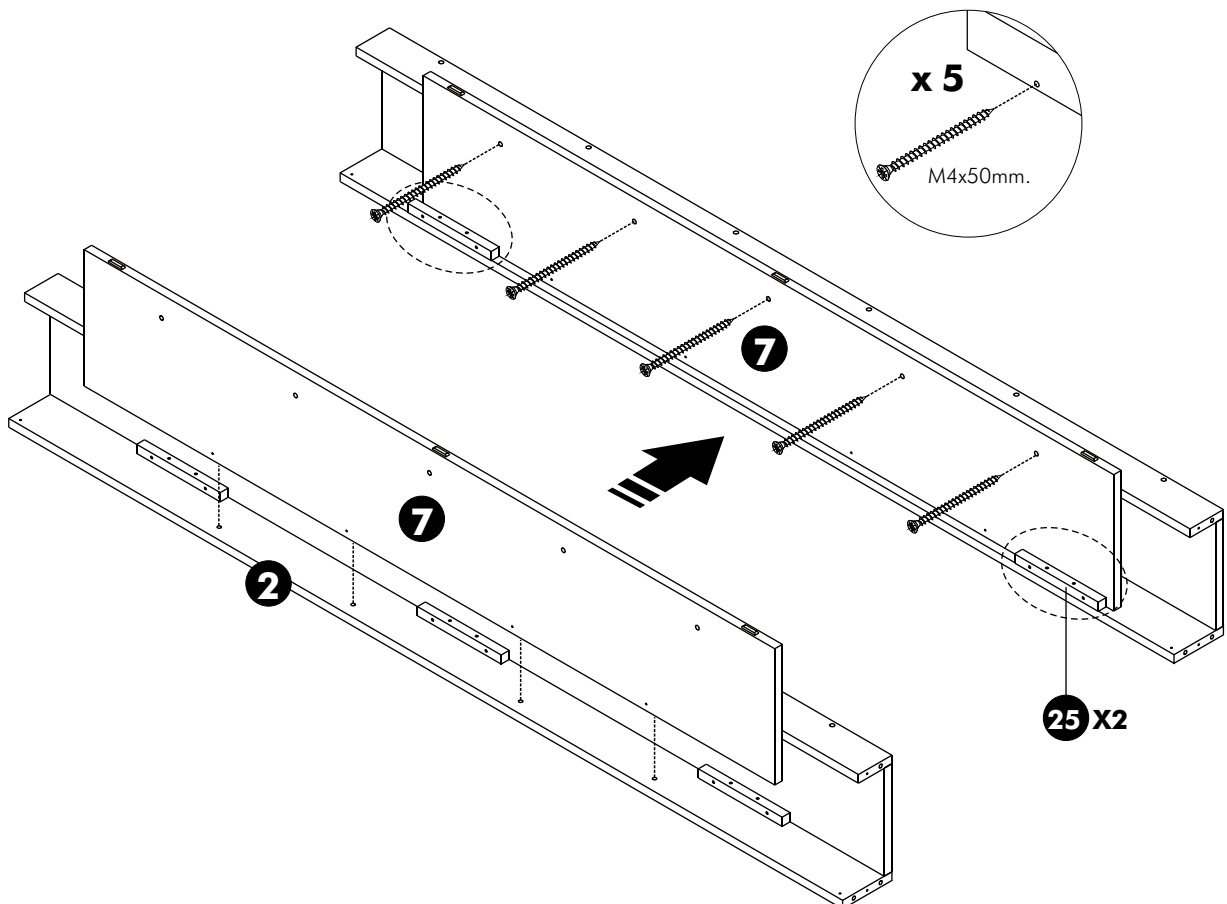
(L)



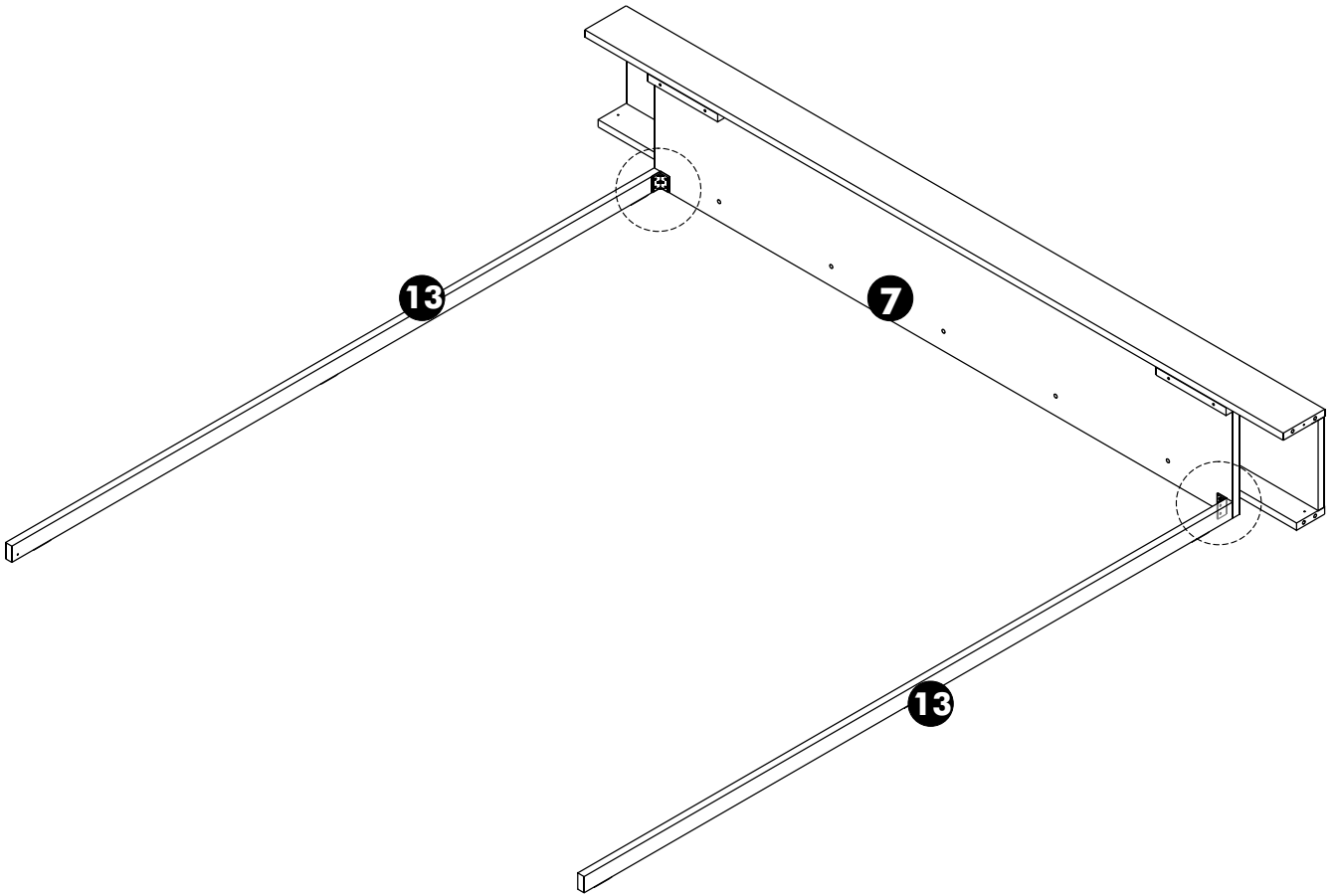
(R)



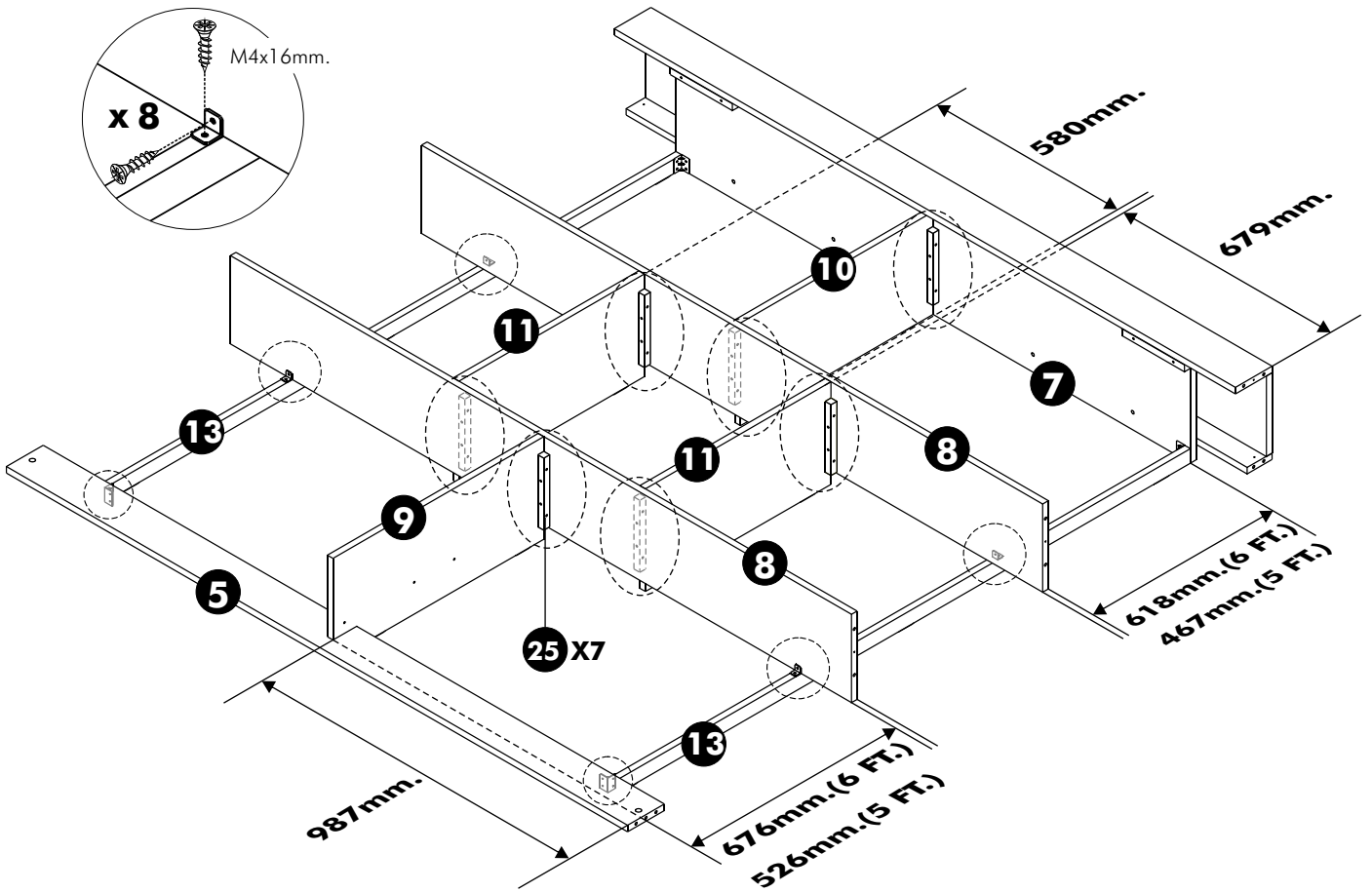
4.



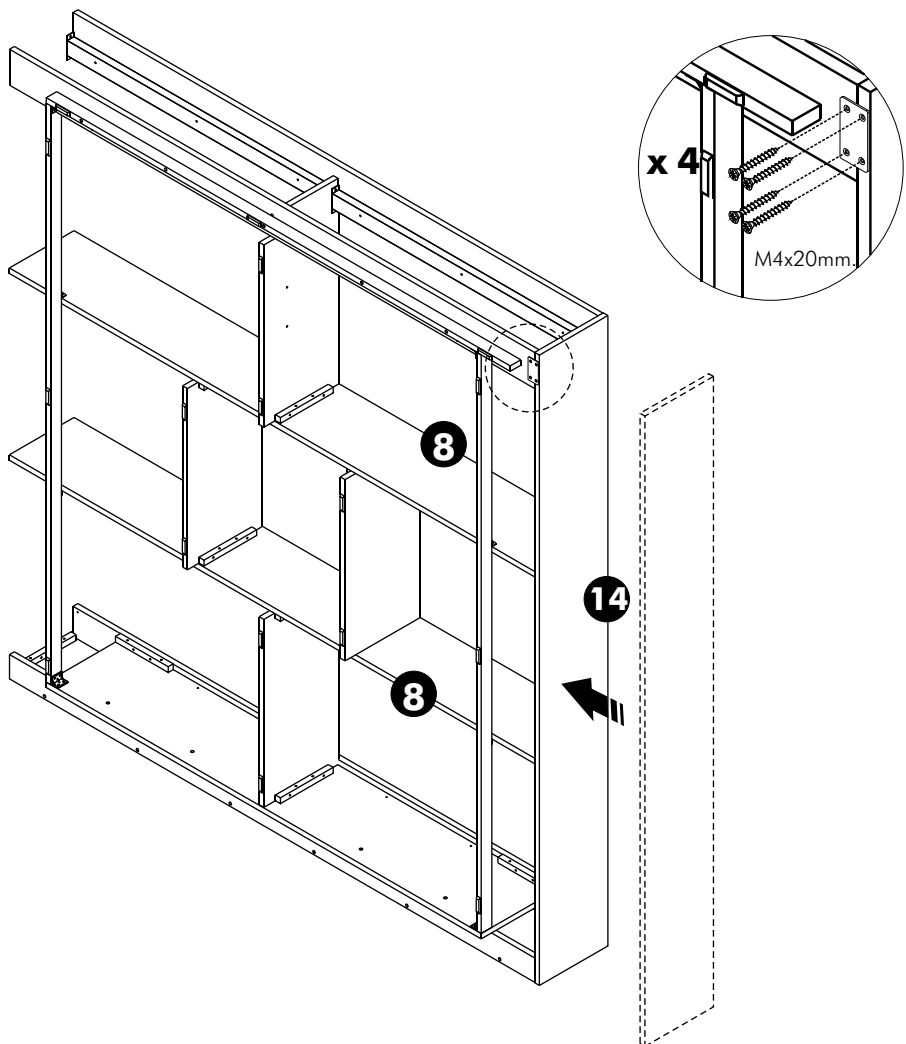
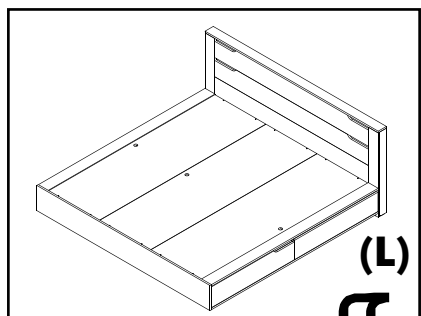
5.



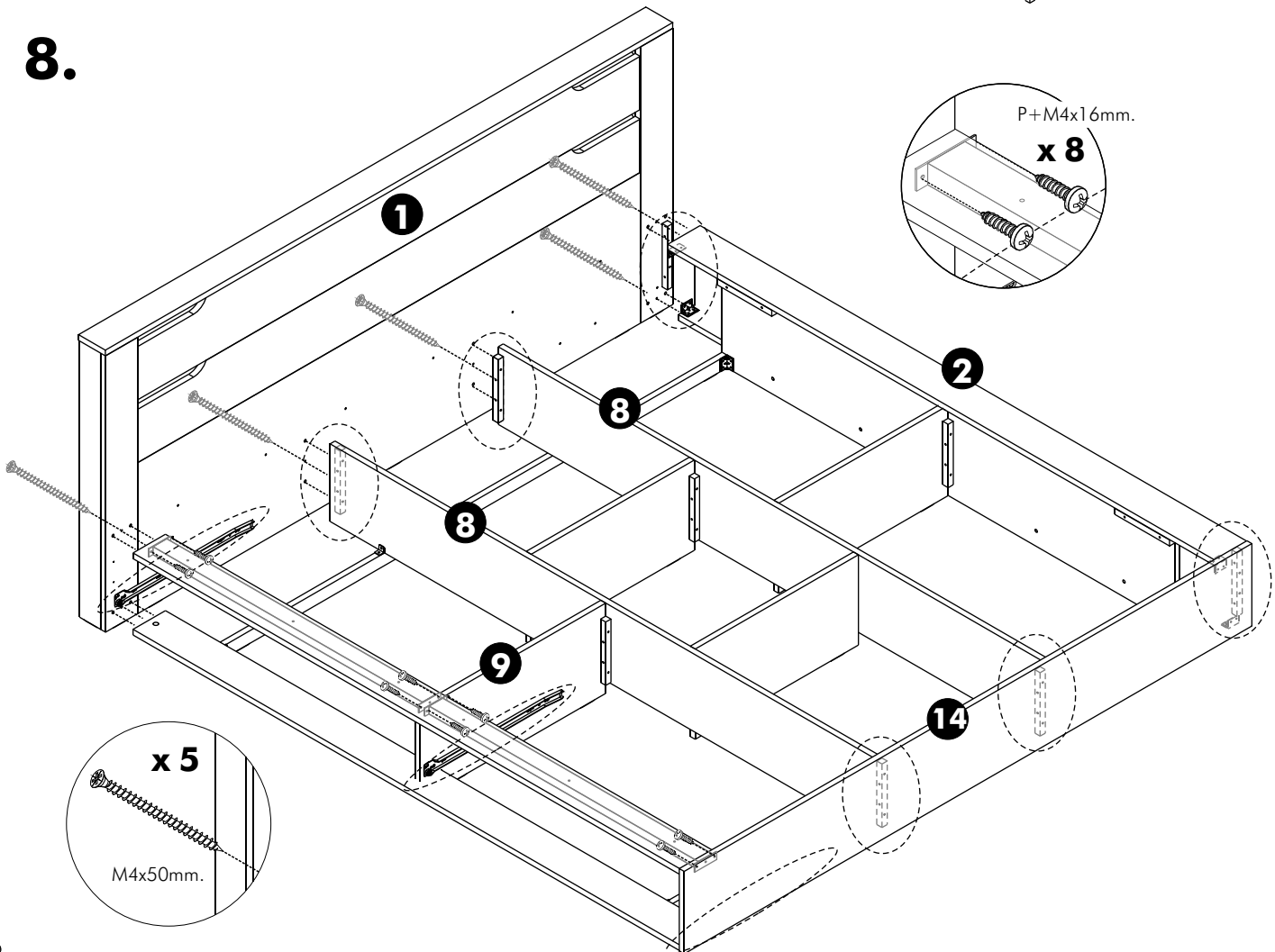
6.



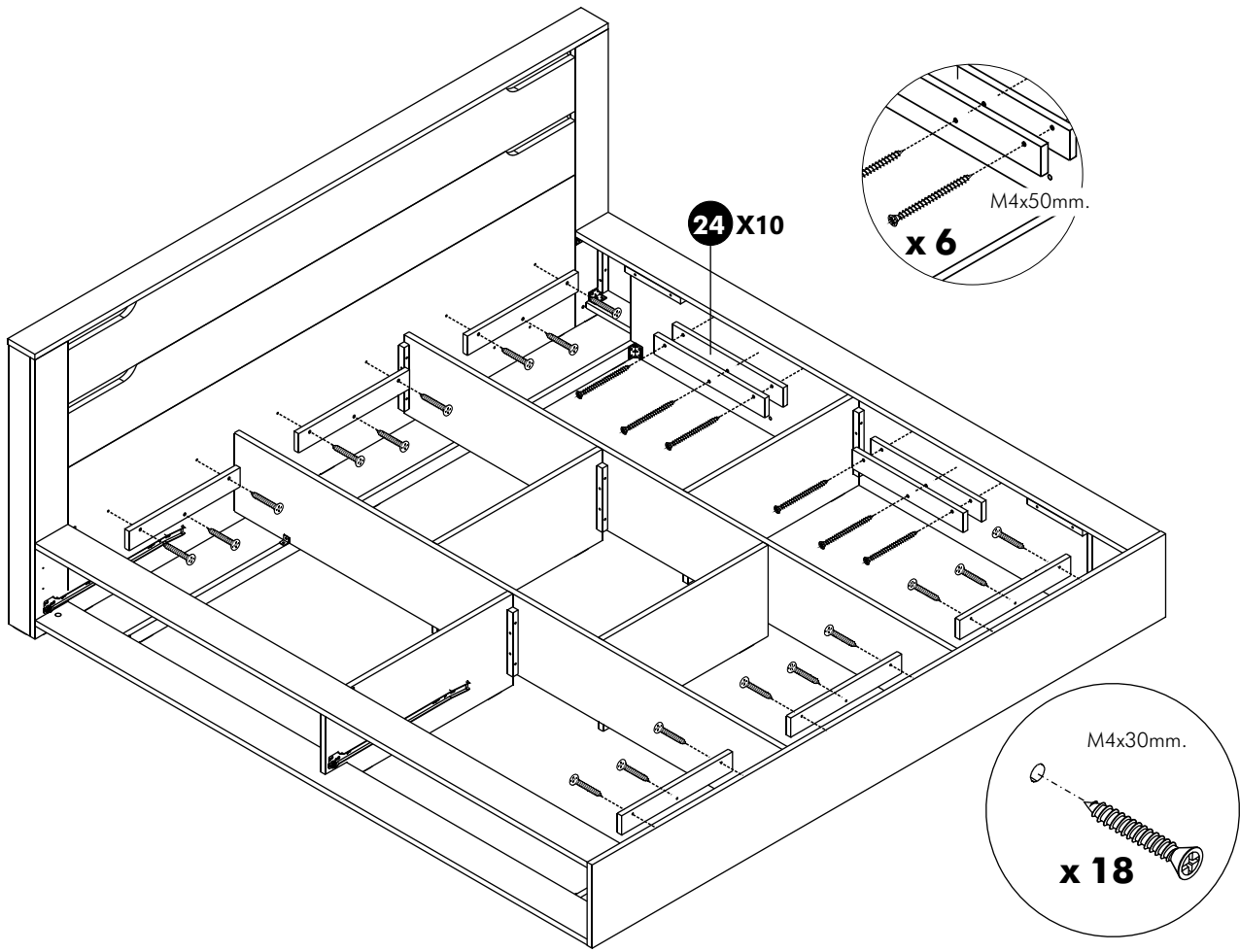
7.



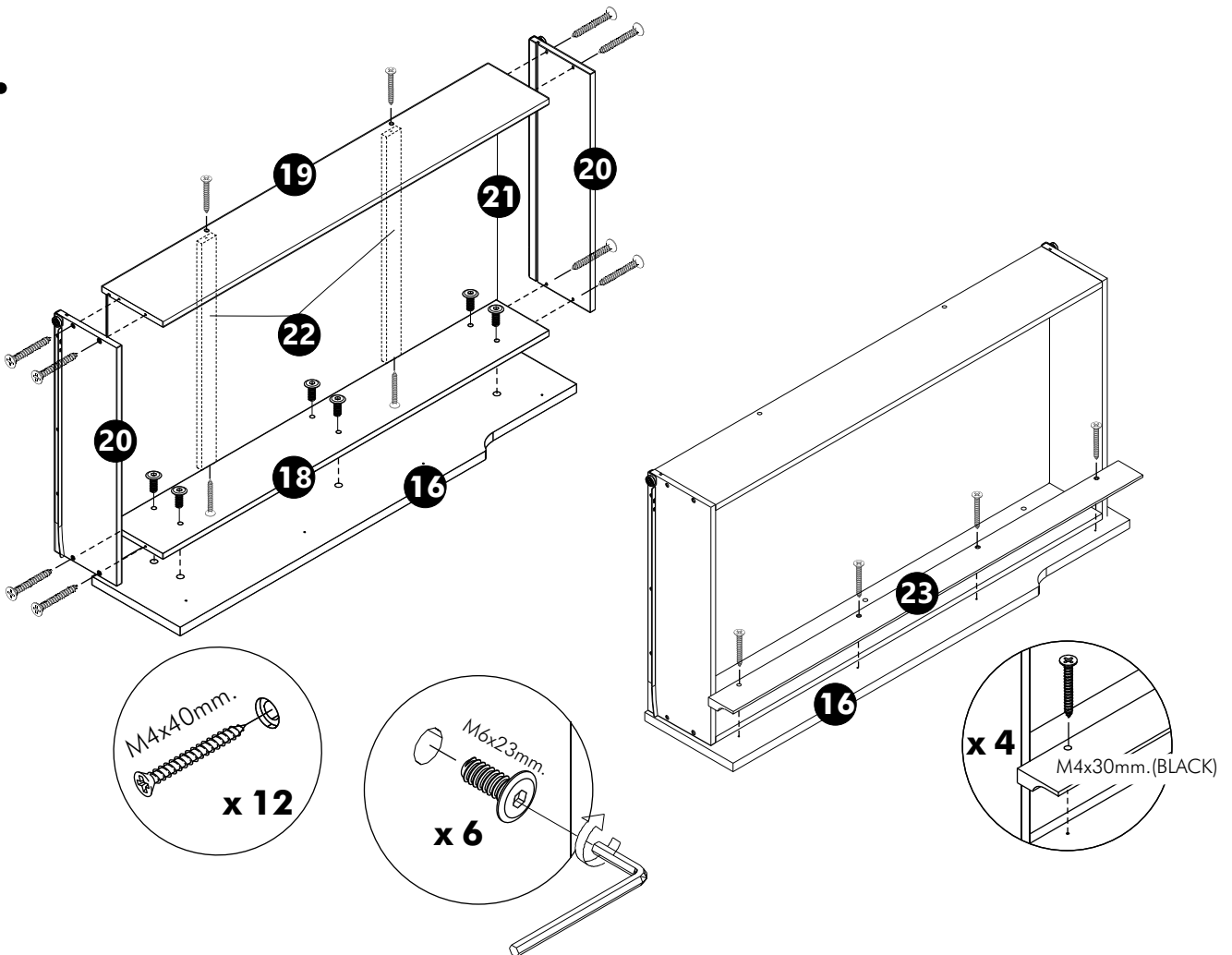
8.



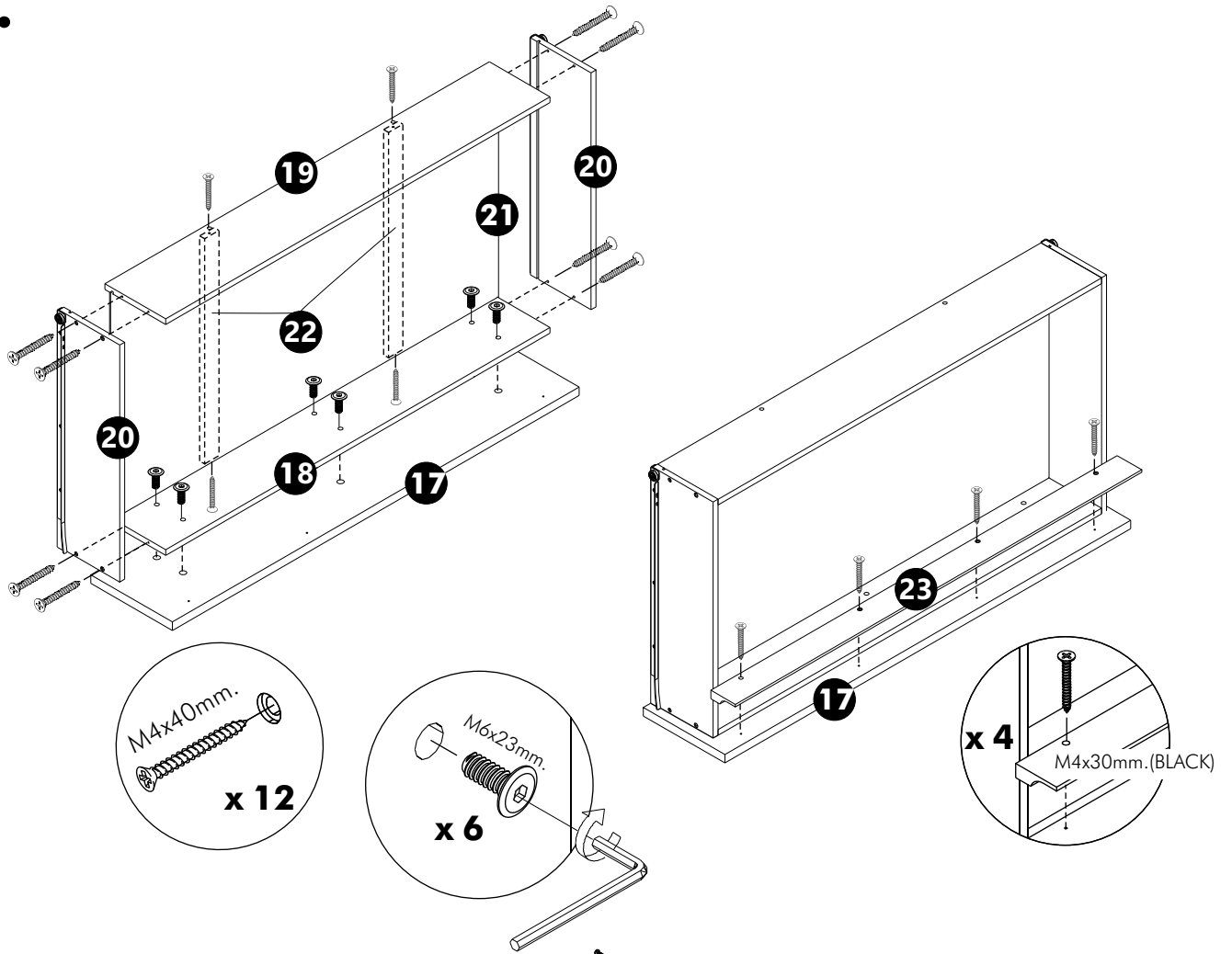
9.



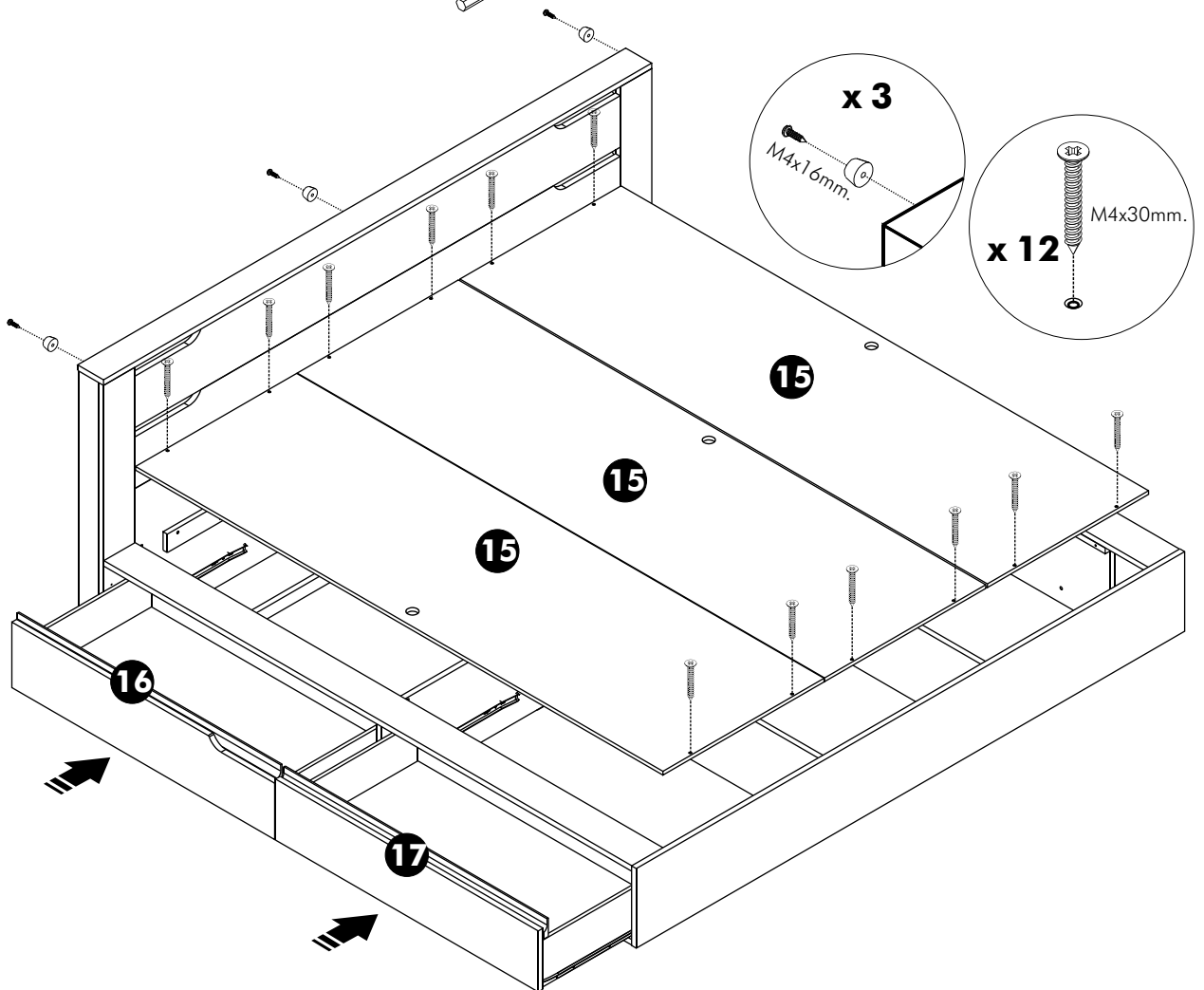
10.



# 11.

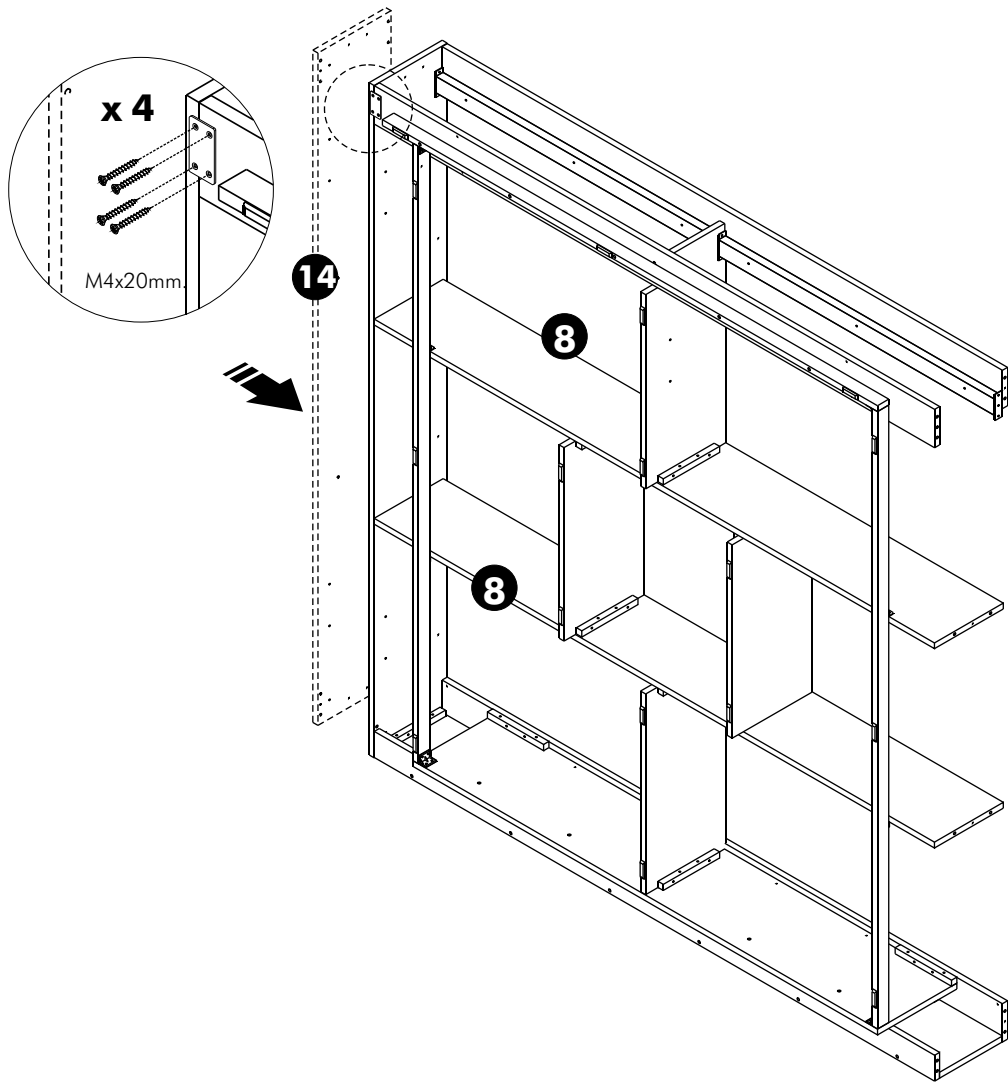


# 12.



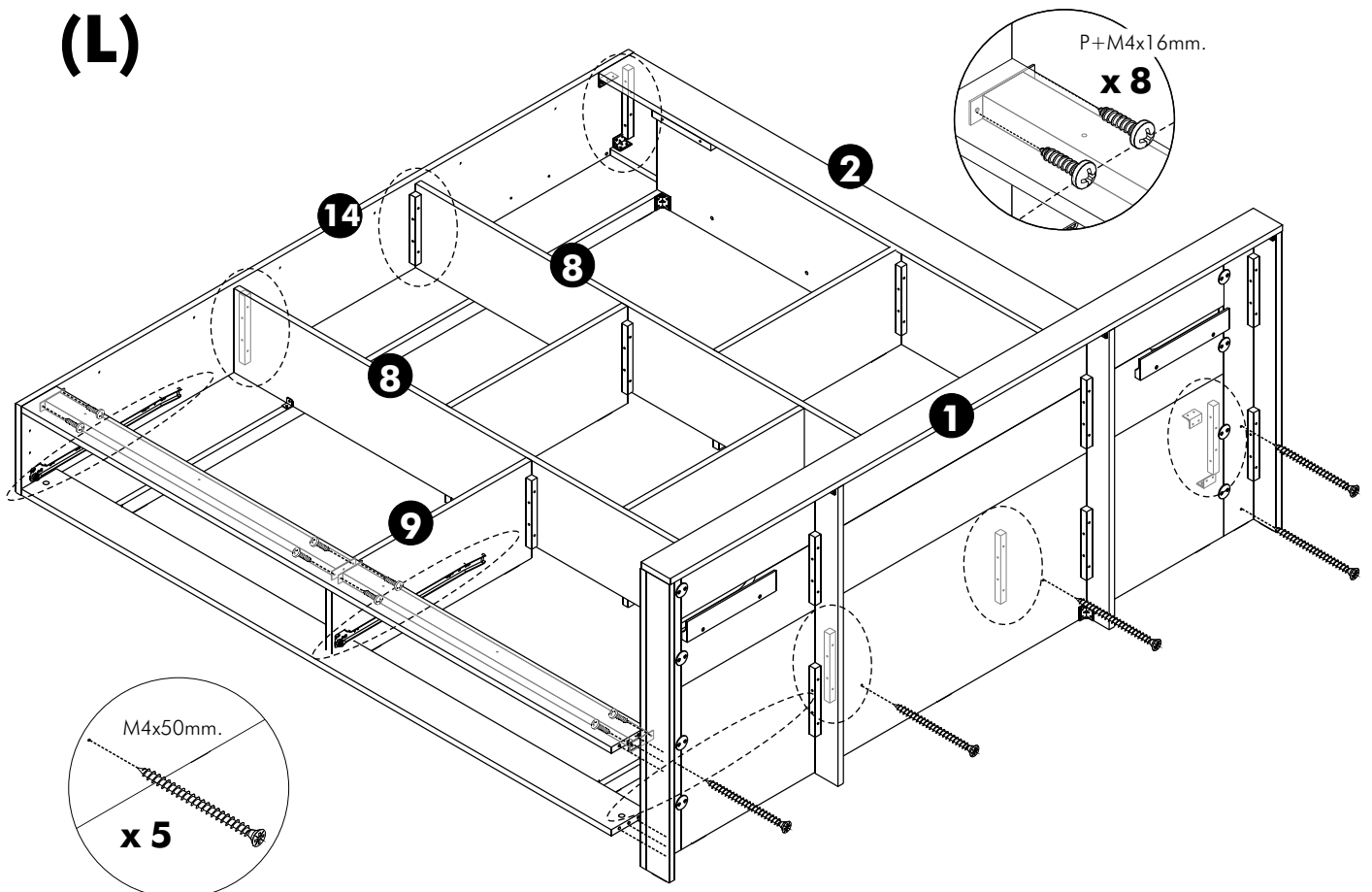
**13.**

**(L)**

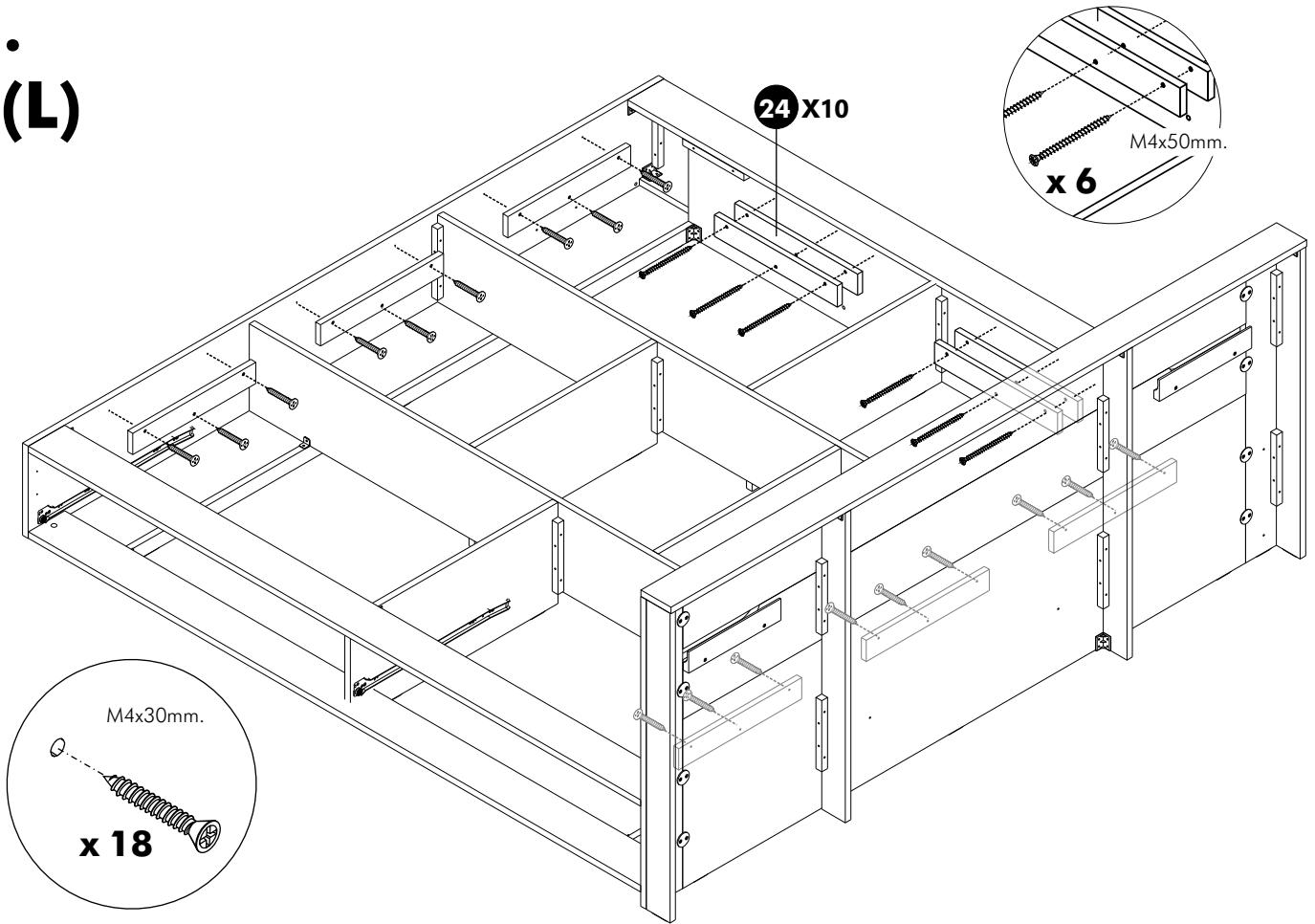


**14.**

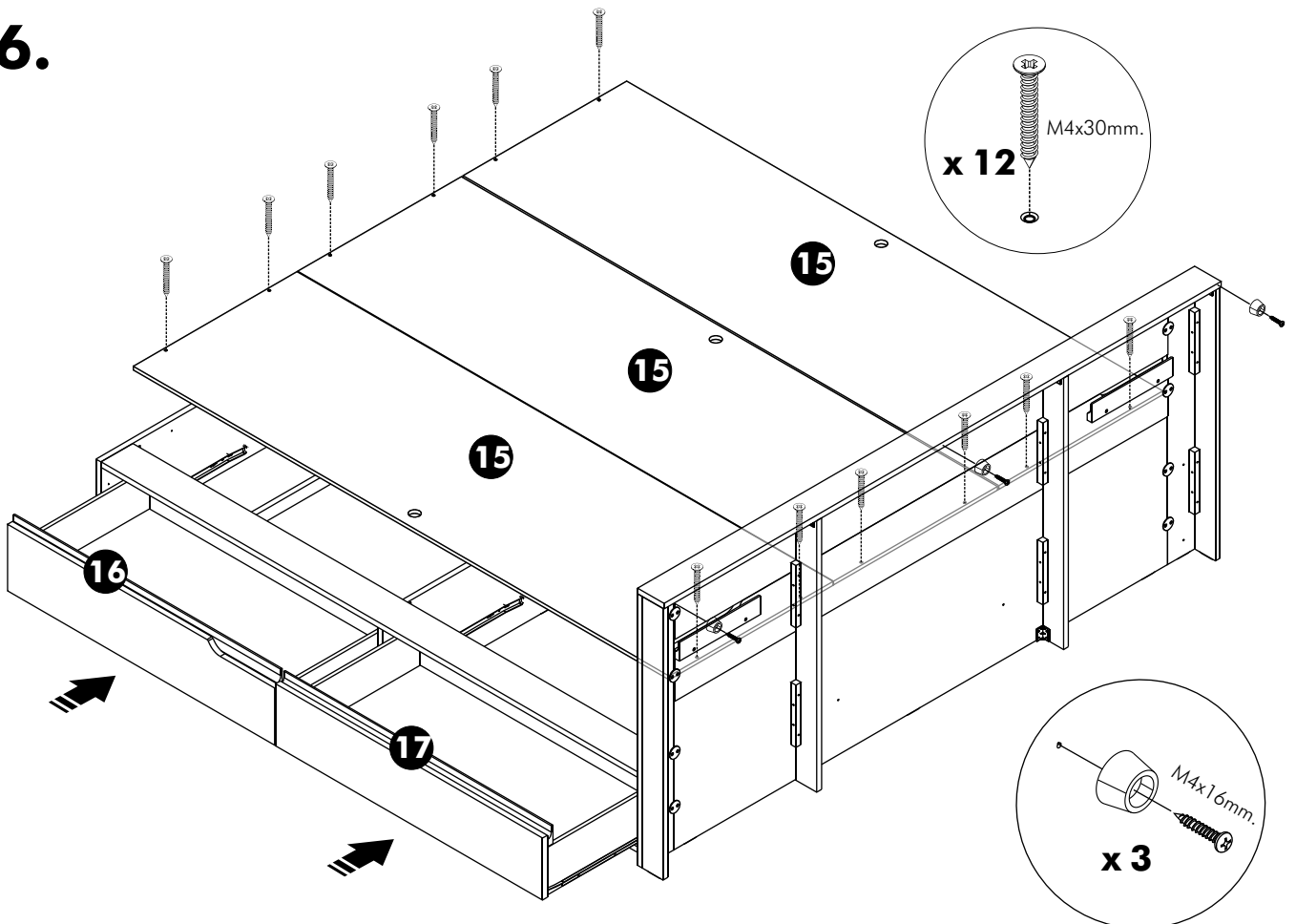
**(L)**



# 15. (L)



# 16.



**i**

