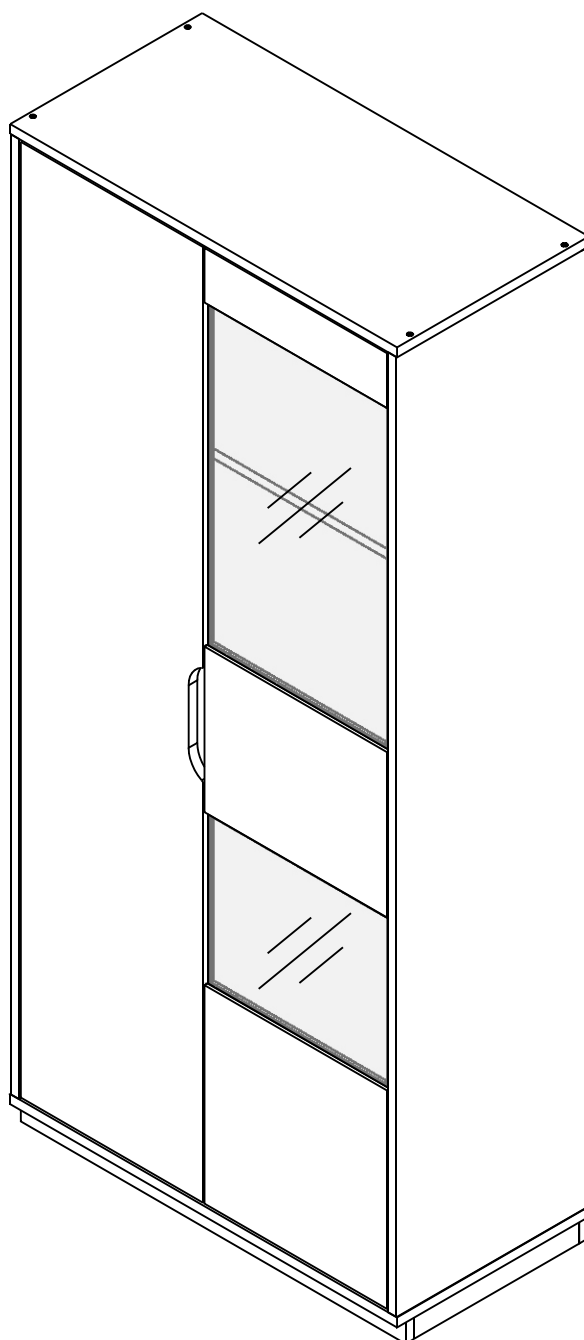


KARLSTAD

Show cabinet 80 cm.



CONNECT SYSTEM

1

3

2

(Connecting bolts)

WHEN FITTING CAMS
 ENSURE STARTING POSITION IS CORRECT
 BEFORE YOU INSERT CONNECTING BOLT
 TURN CLOCKWISE UNTIL SECURE

✓

↑
CORRECT

✗

WRONG

EQ **EQ**

1 Pc.

≤ 190mm.

40mm. 40mm.

2 Pcs.

≥ 191-850mm.

100mm. **EQ** **EQ** 100mm.

3 Pcs.

> 850-2000mm.

100mm. **EQ** **EQ** **EQ** 100mm.

4 Pcs.

> 2001mm.

M4x16mm.

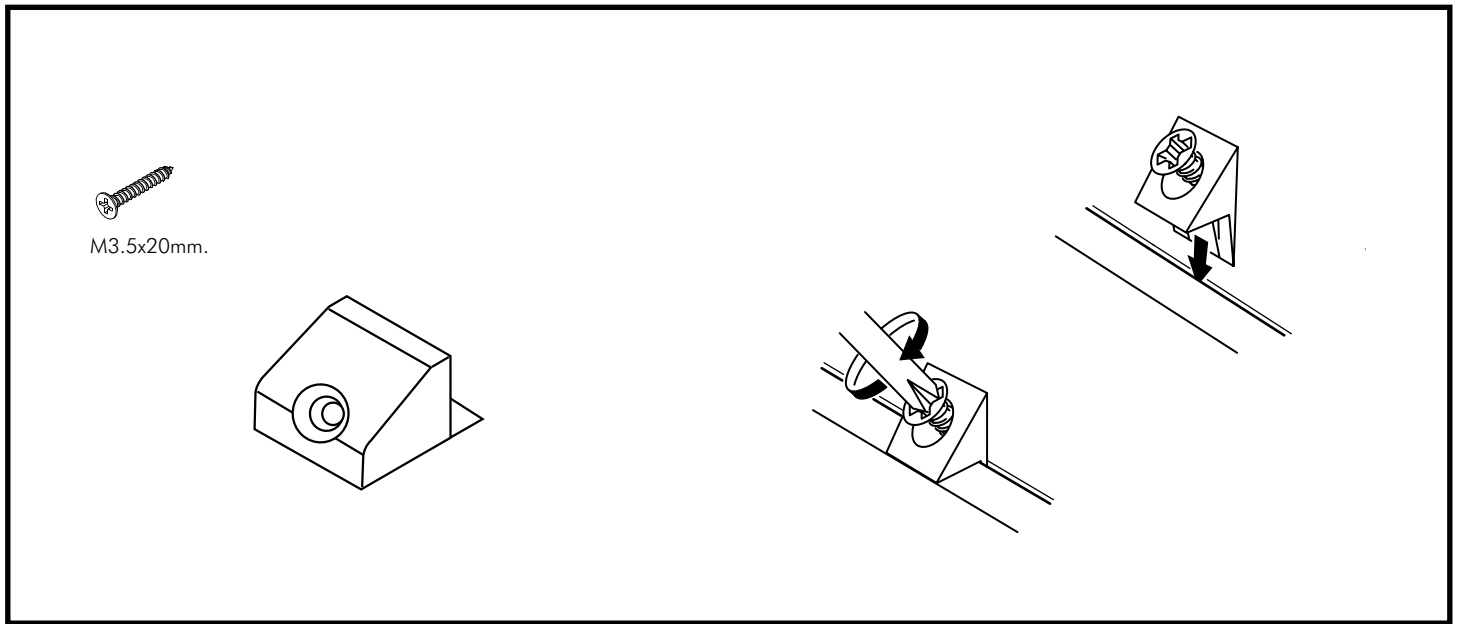
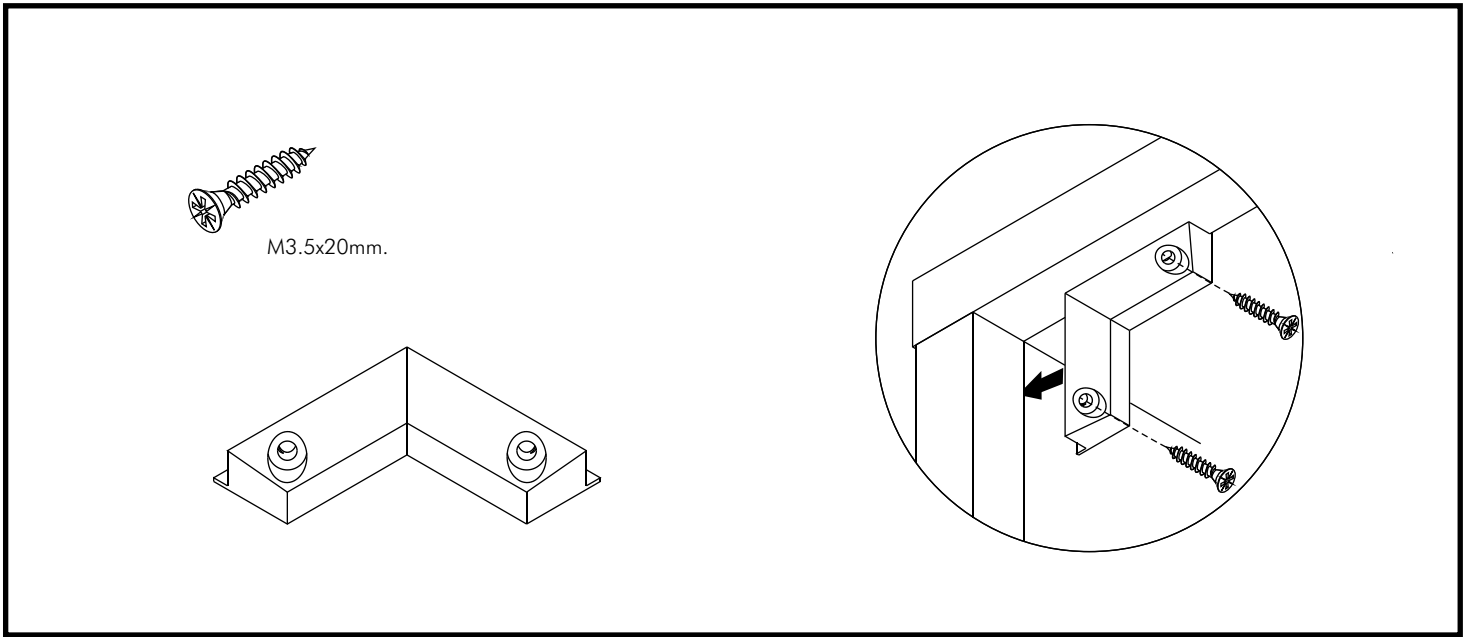
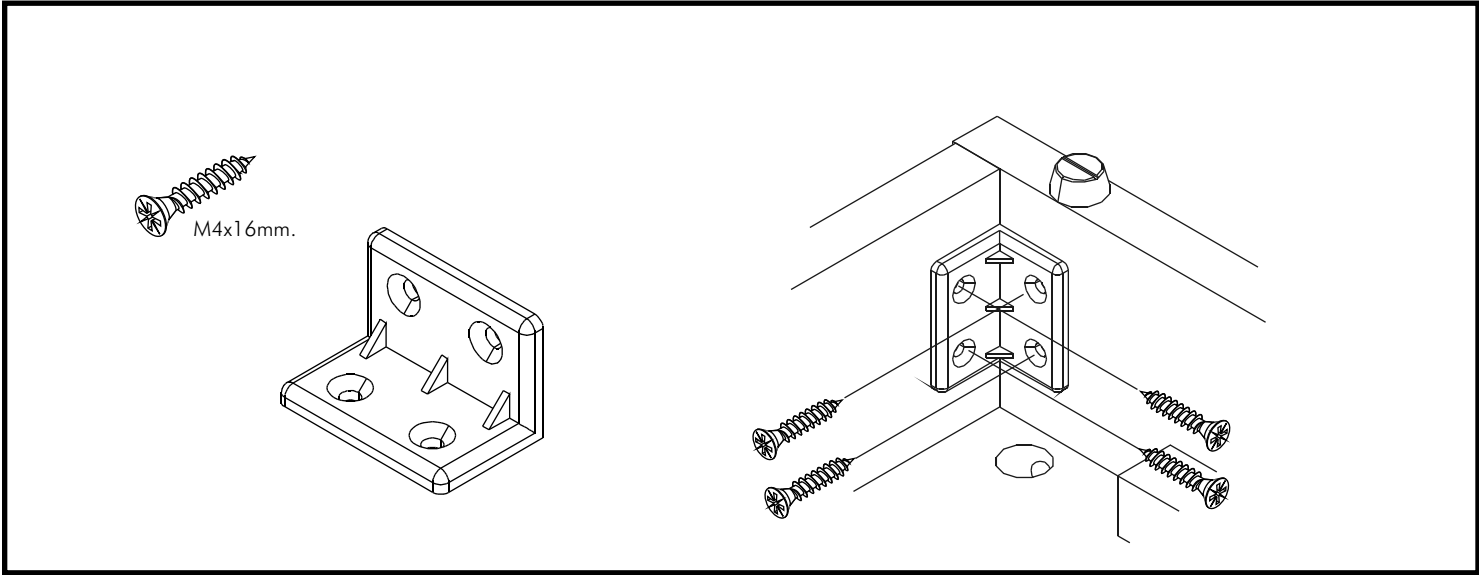
i

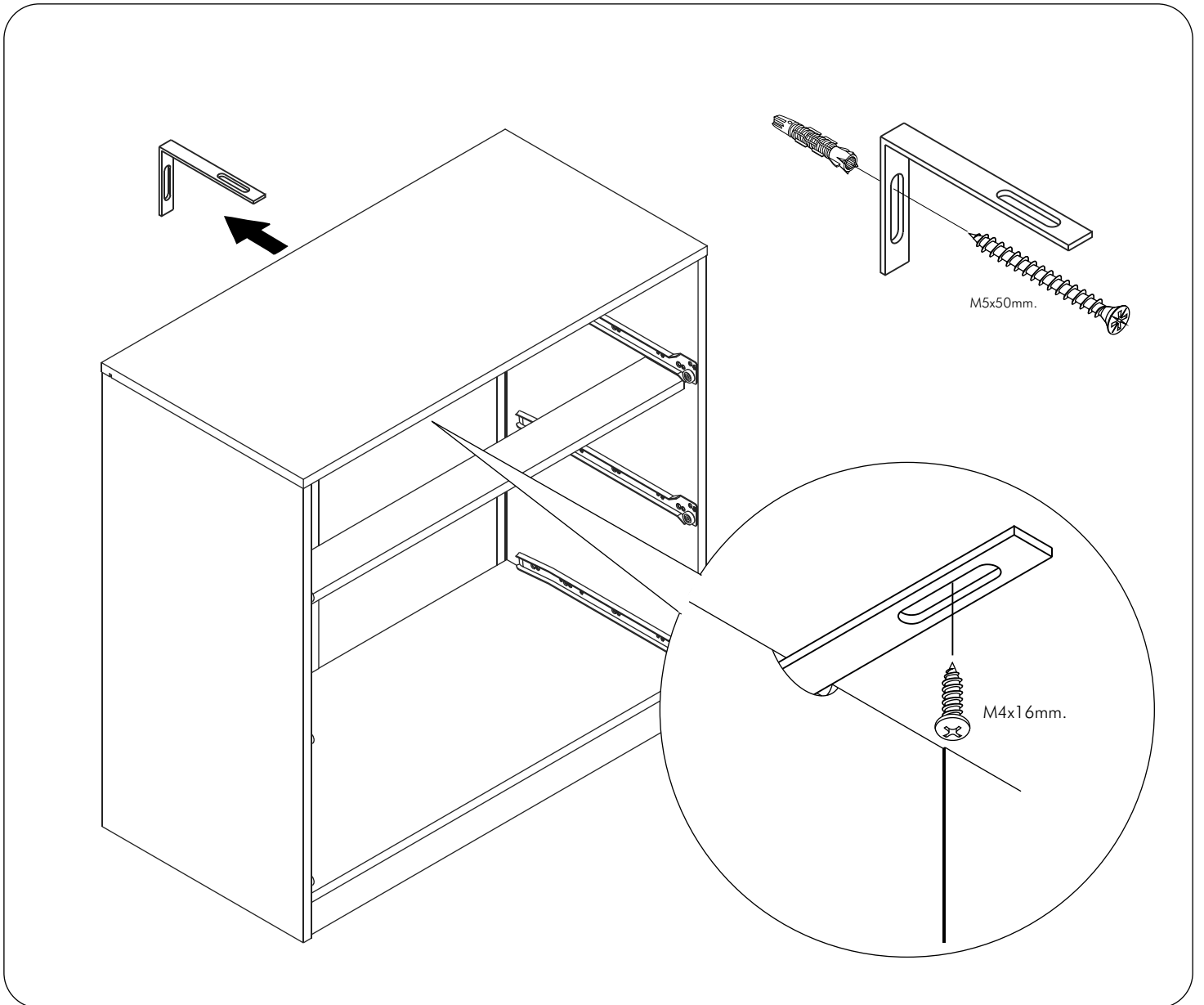
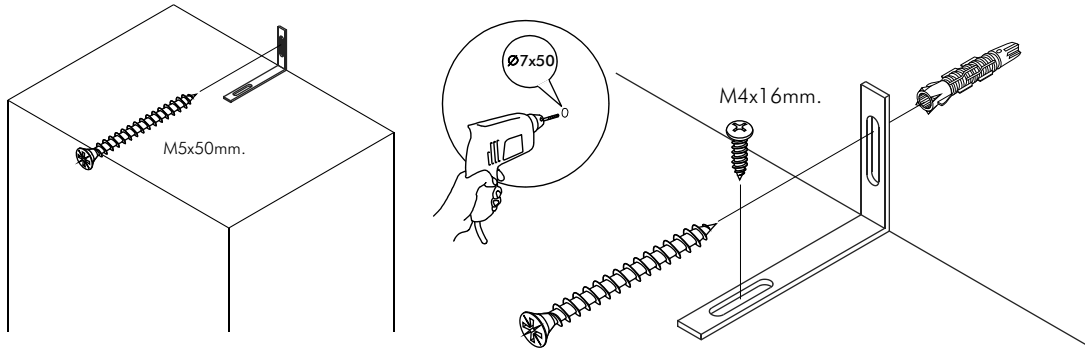
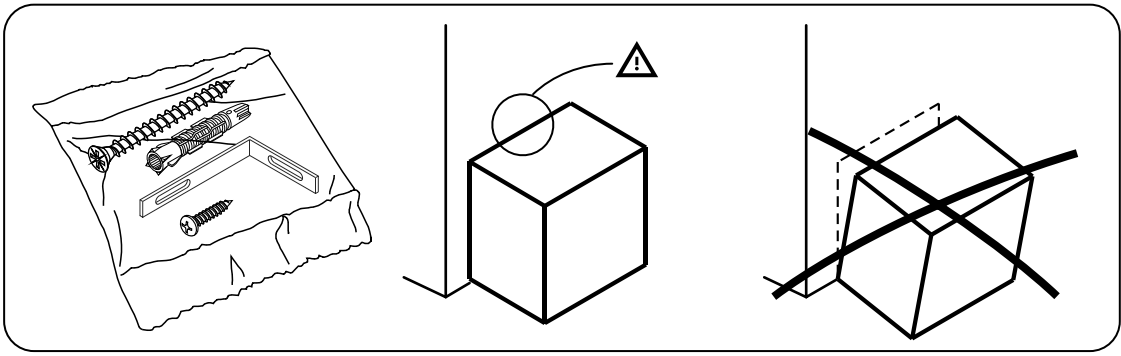
40mm.

EQ

M4x16mm.

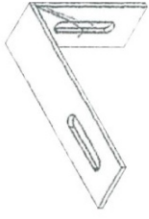
DOOR PANEL



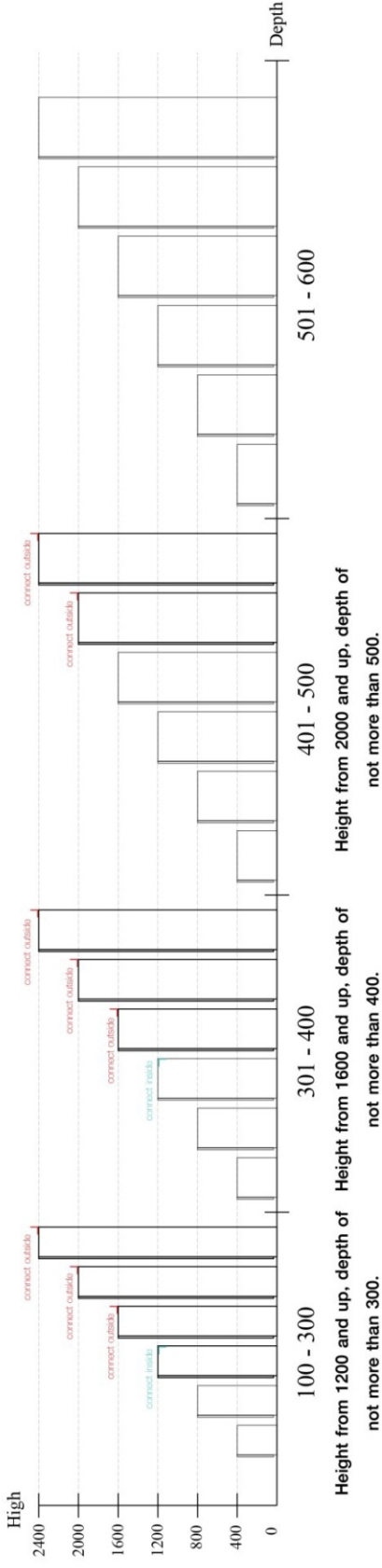


The Standard for identifying which mounted safety fall protection fitting to use **Note : That children's products must be installed with all anti-falling fittings.**

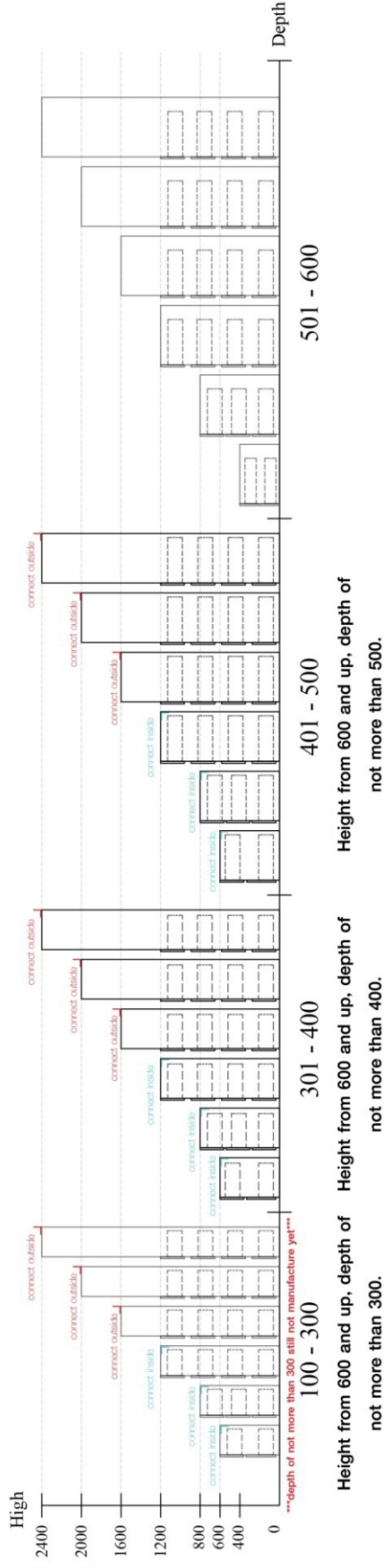
■ Mounted fall protection fittings



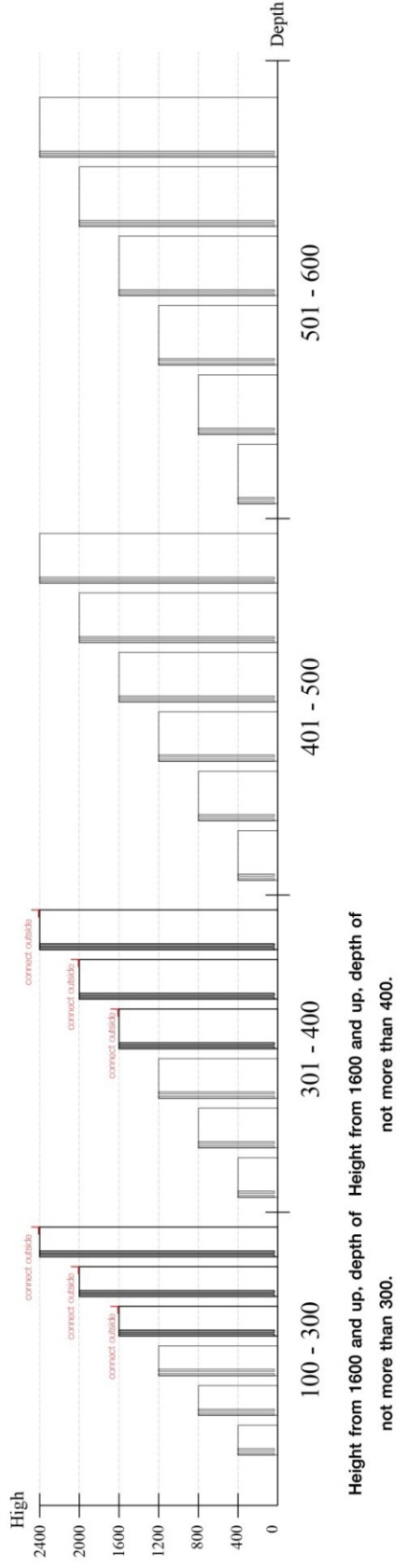
■ Category : Cabinet with open doors



■ Category : Chest of drawers

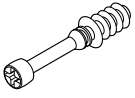


■ Category : Sliding door cabinet / Open cabinet



HARDWARE

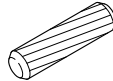
-BODY SET



x 4

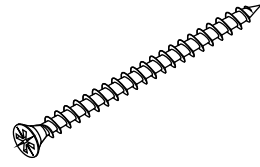


x 4



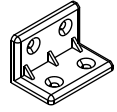
8x35mm.

x 12

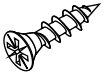


M4x50mm.

x 8



x 10



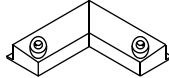
M4x16mm.

x 56

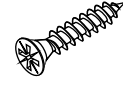


M4x16mm.

x 15



x 4

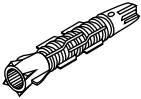


M3.5x20mm.

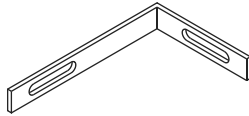
x 12



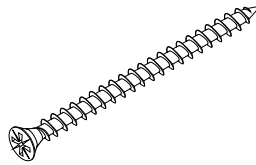
x 4



x 1

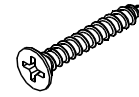


x 1



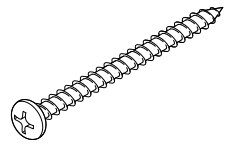
M5x50mm.

x 1



M4x30mm.

x 3

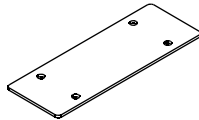


M4x50mm.

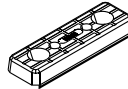
x 9



x 12



x 2

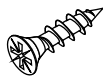


x 8

-DOOR SET

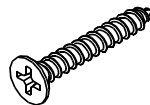


x 10



M4x16mm.

x 60

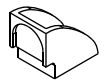


M4x30mm.(BLACK)

x 6



x 4



x 4



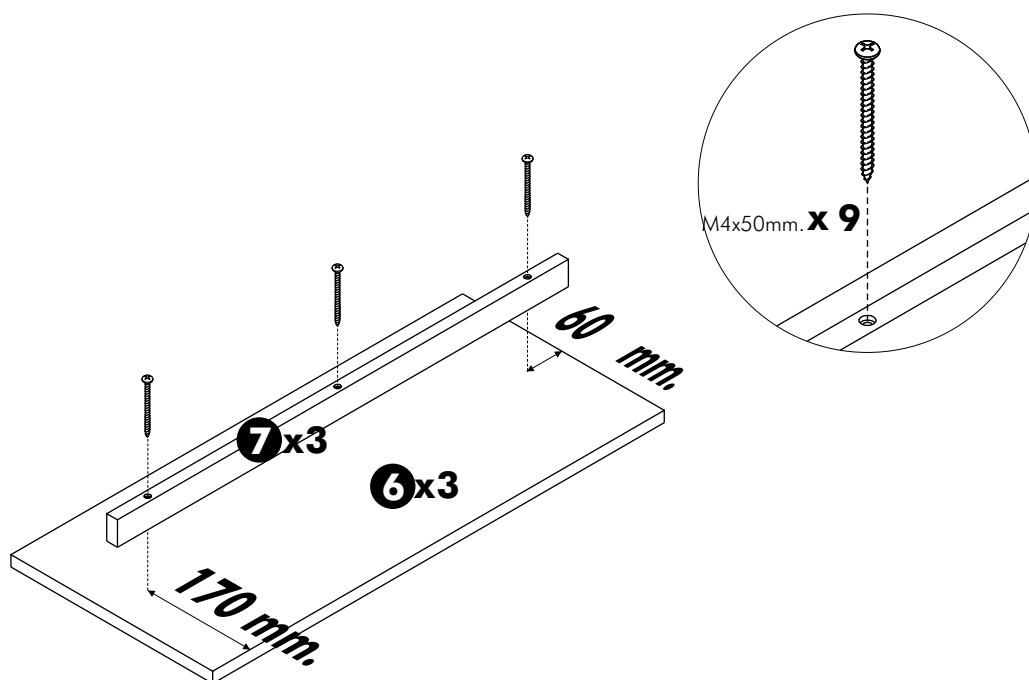
M3.5x13mm.

x 4

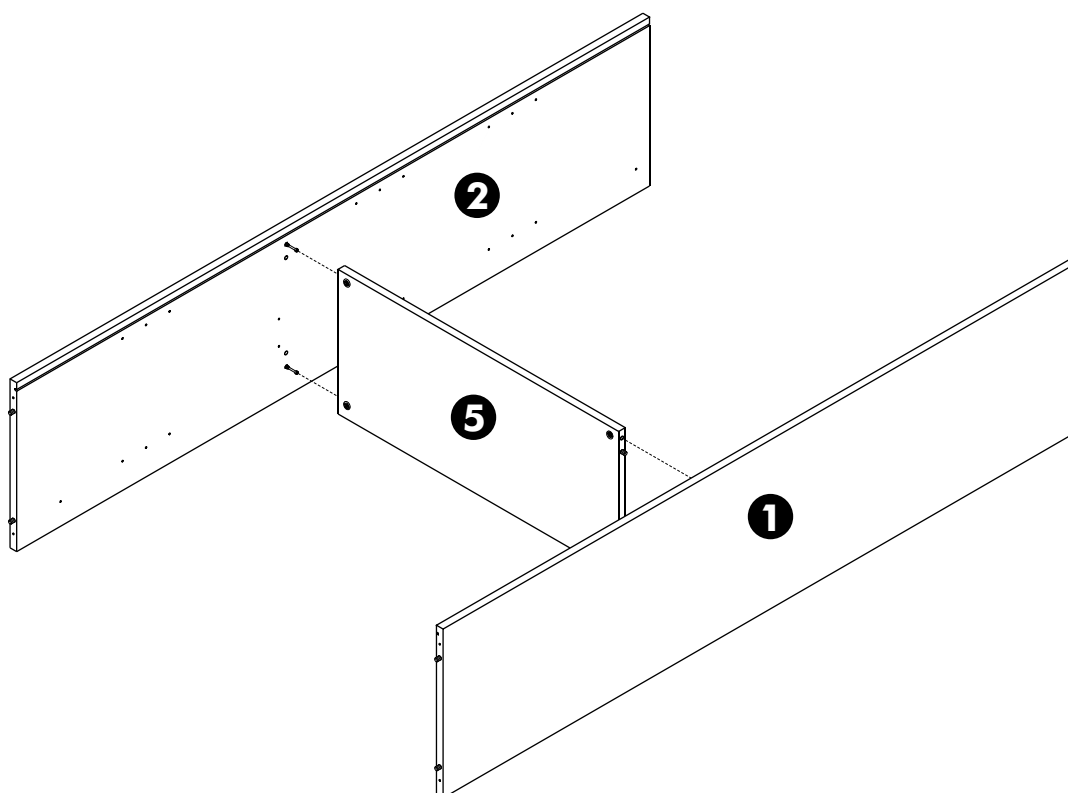
ASSEMBLY

-BODY SET

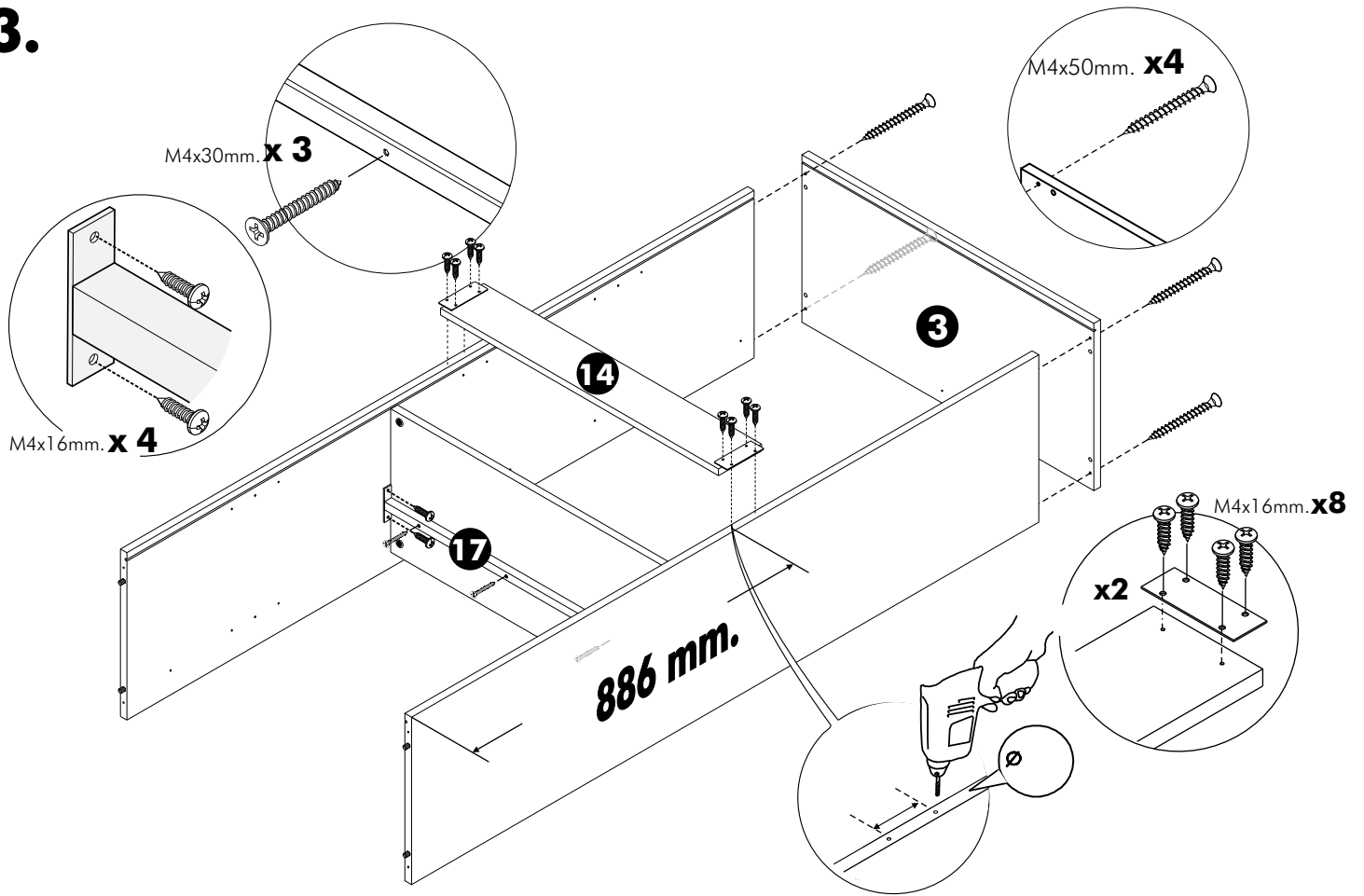
1.



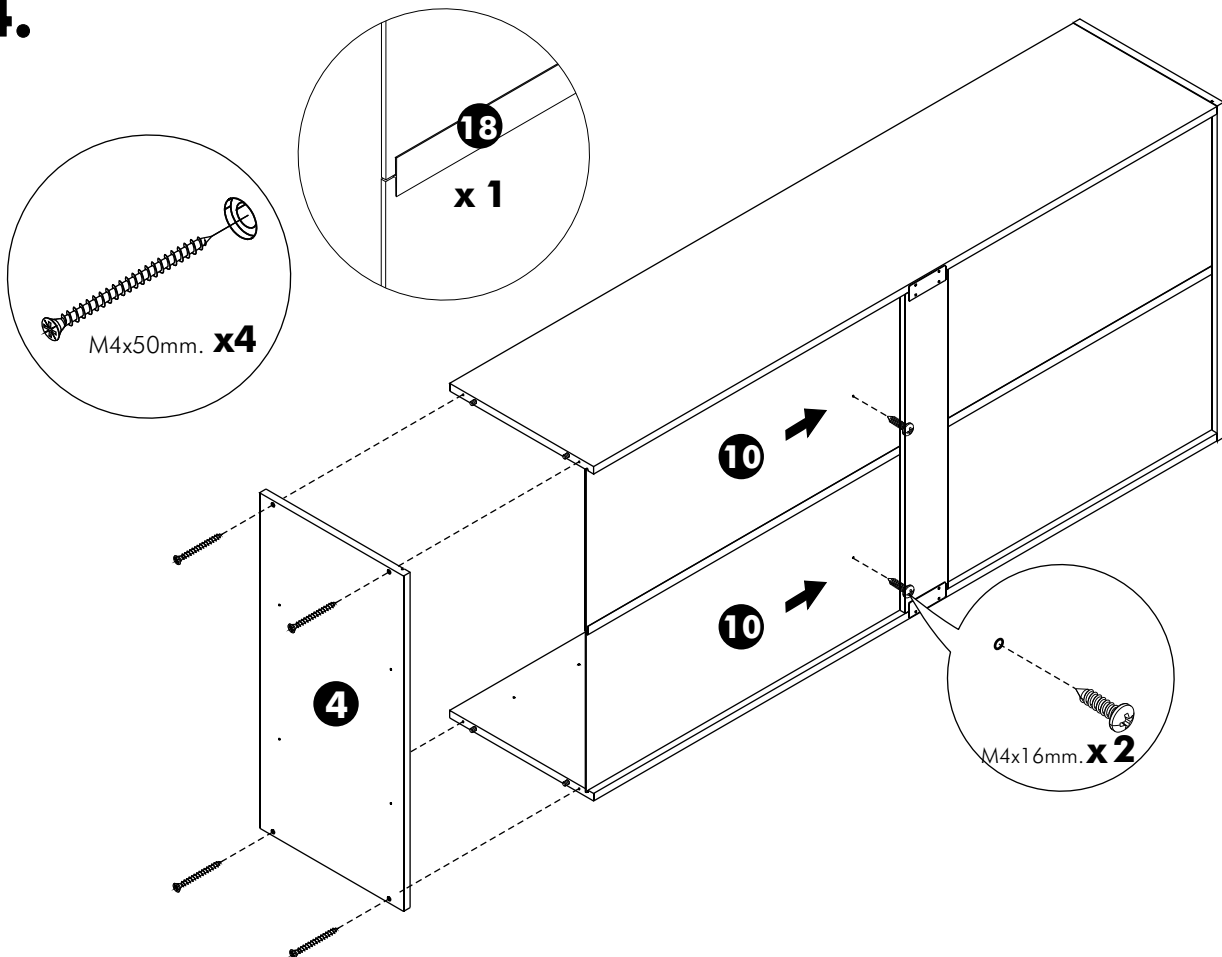
2.



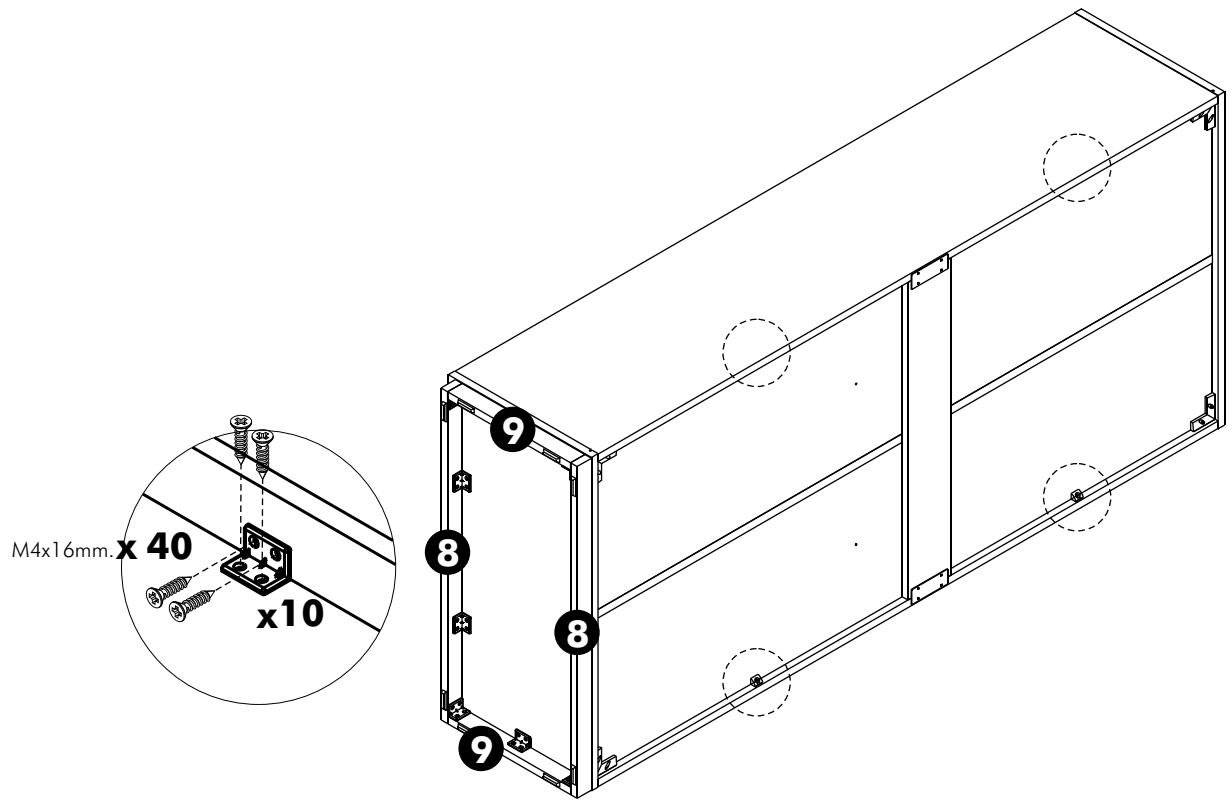
3.



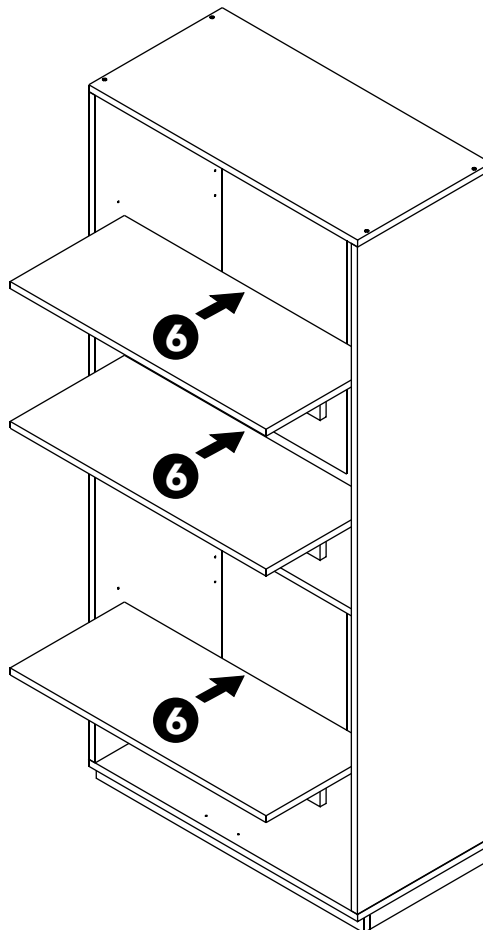
4.



5.



6.



ASSEMBLY

-DOOR SET

