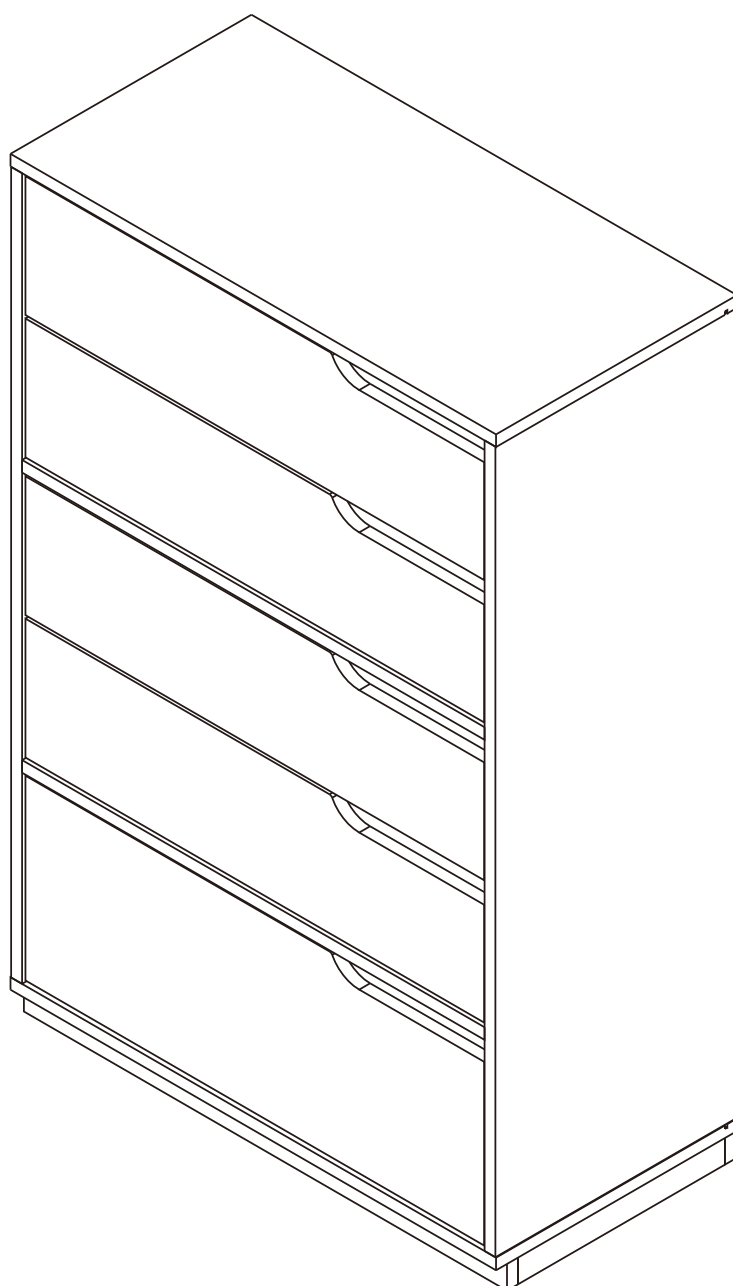
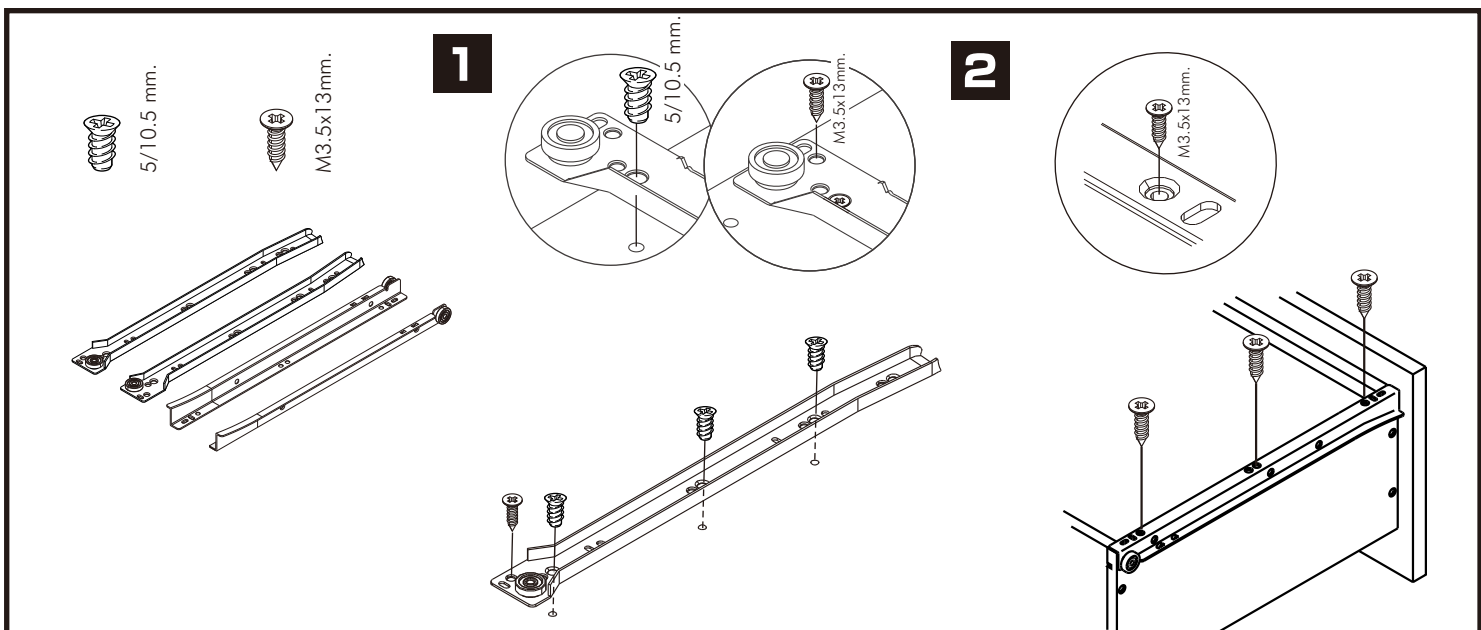
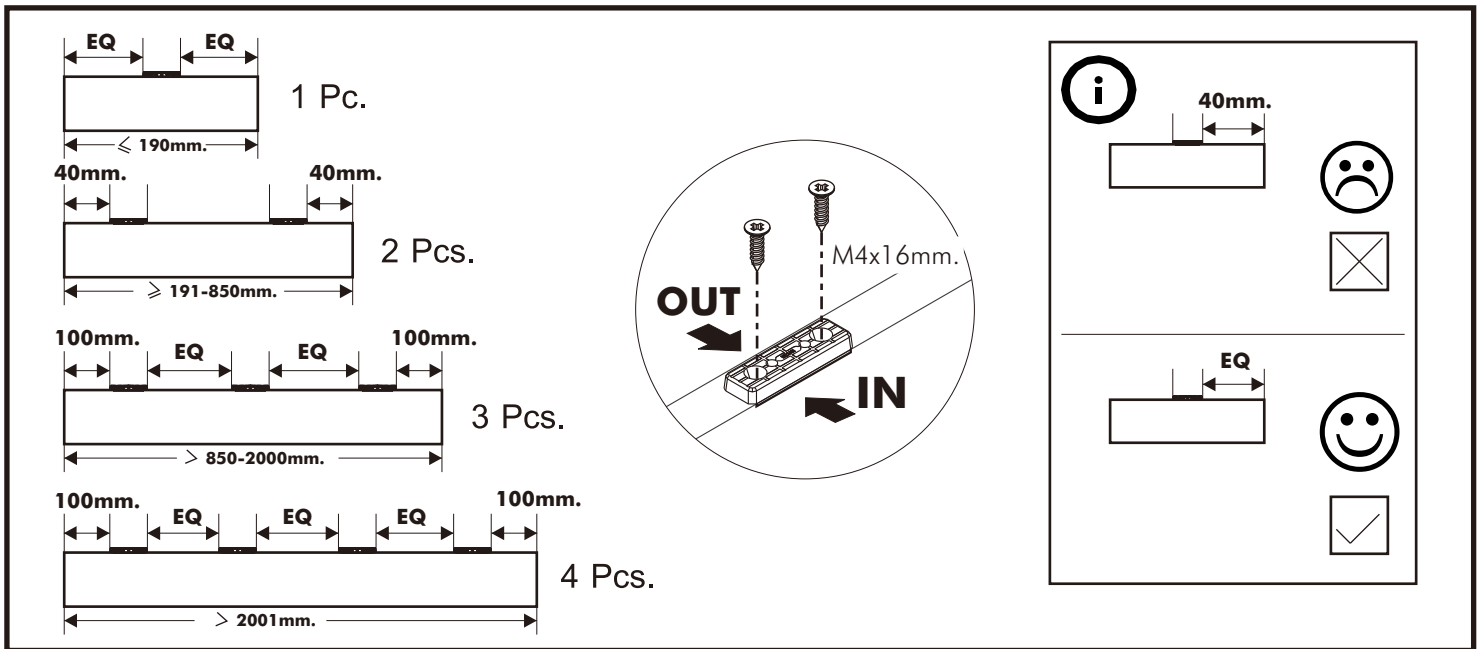
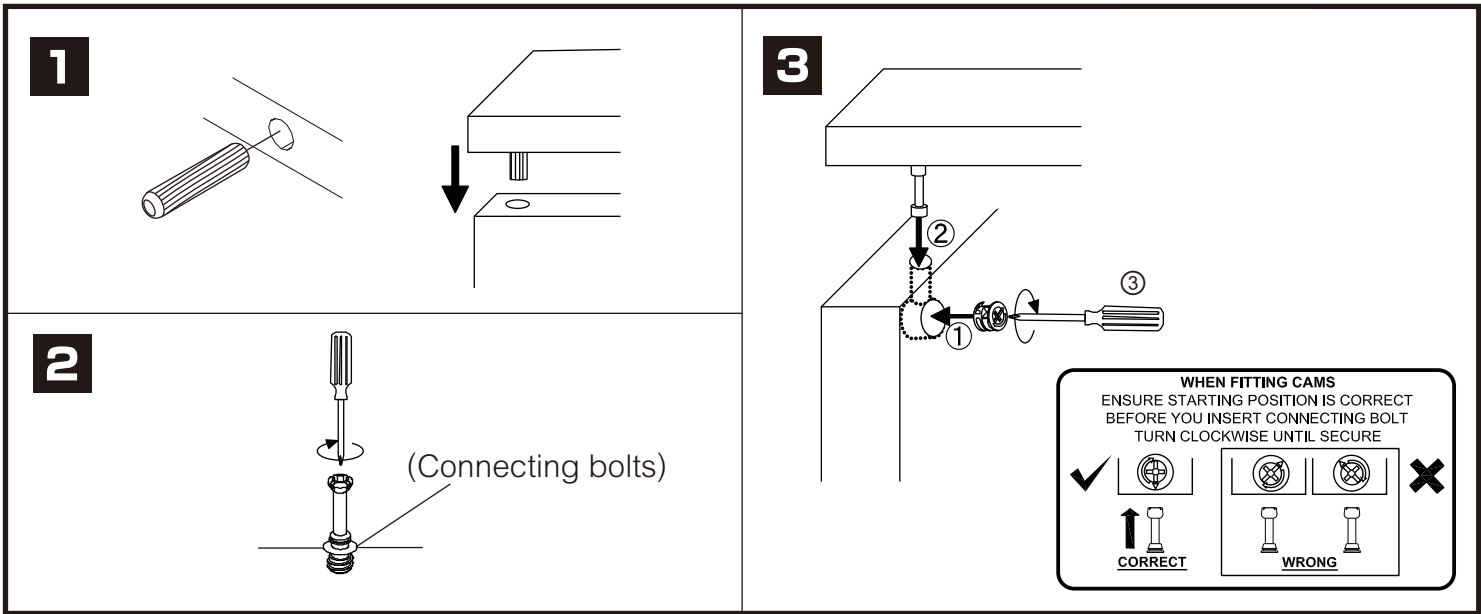


# KARLSTAD

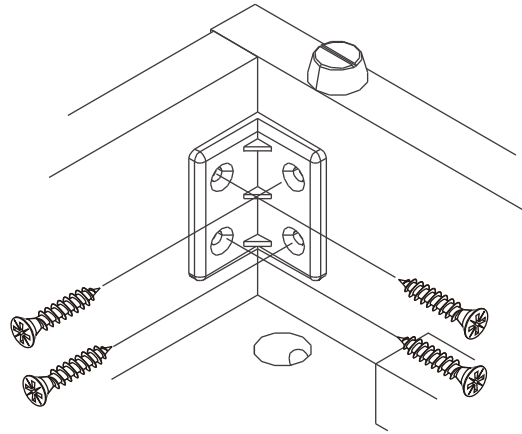
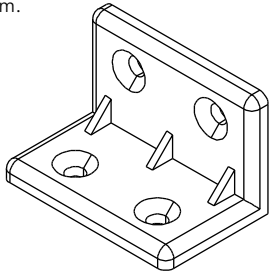
**High chest 5 drawers**



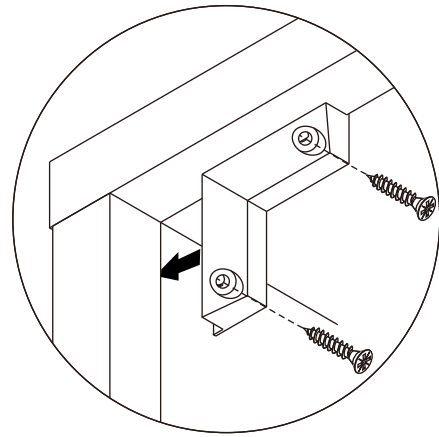
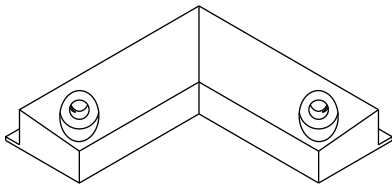
# CONNECT SYSTEM



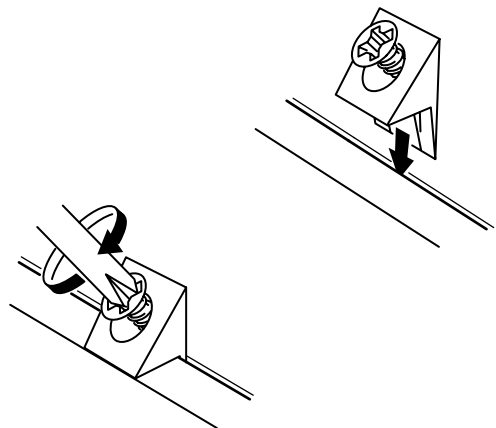
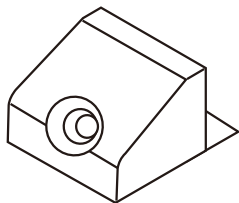
M4x16mm.

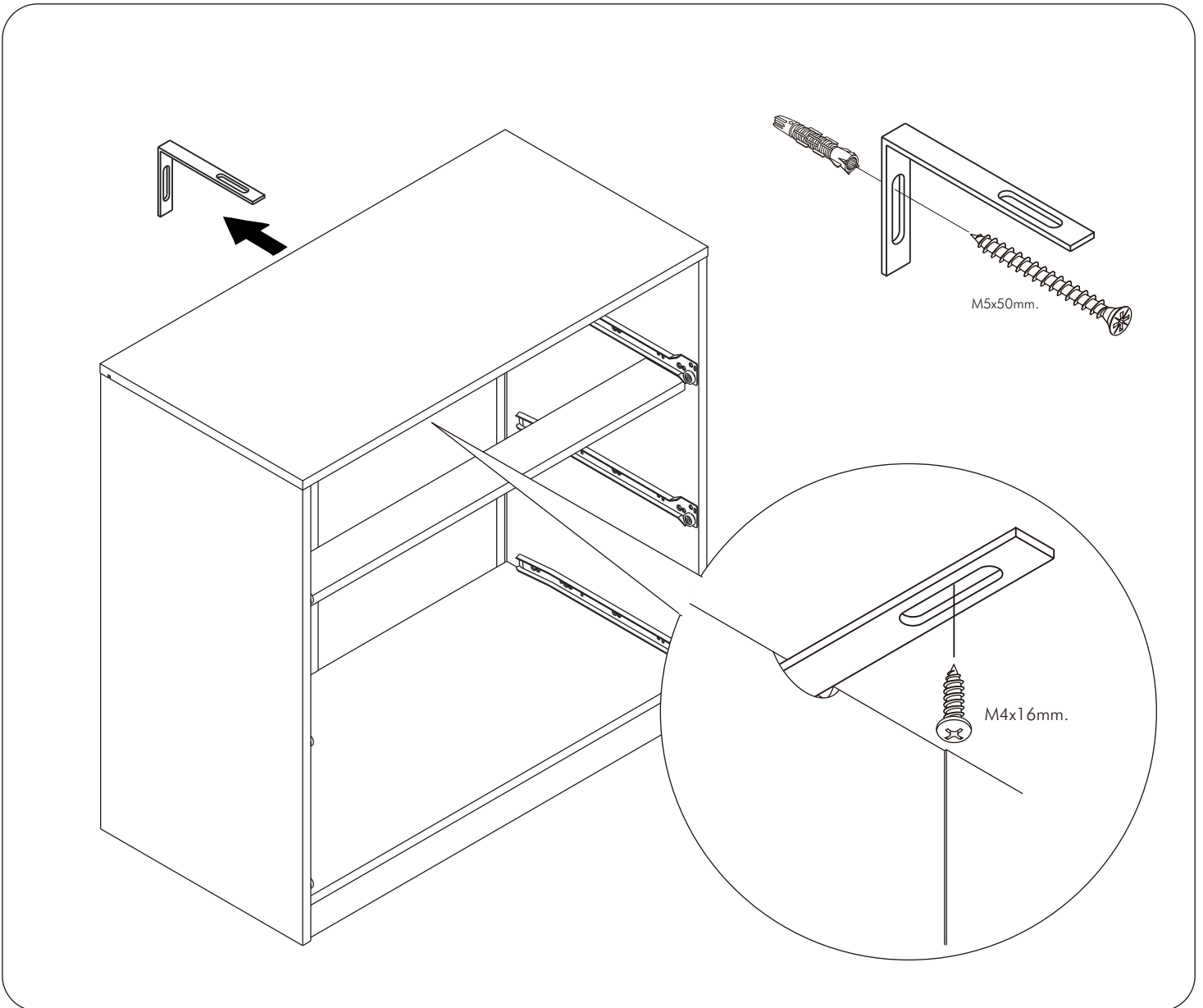
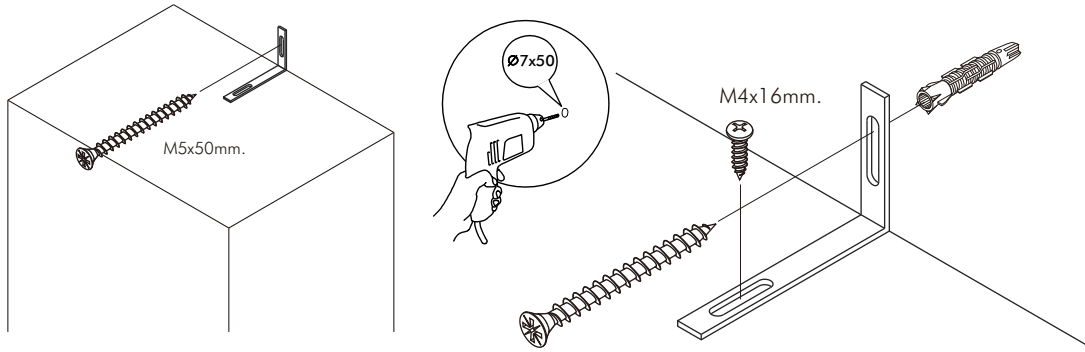
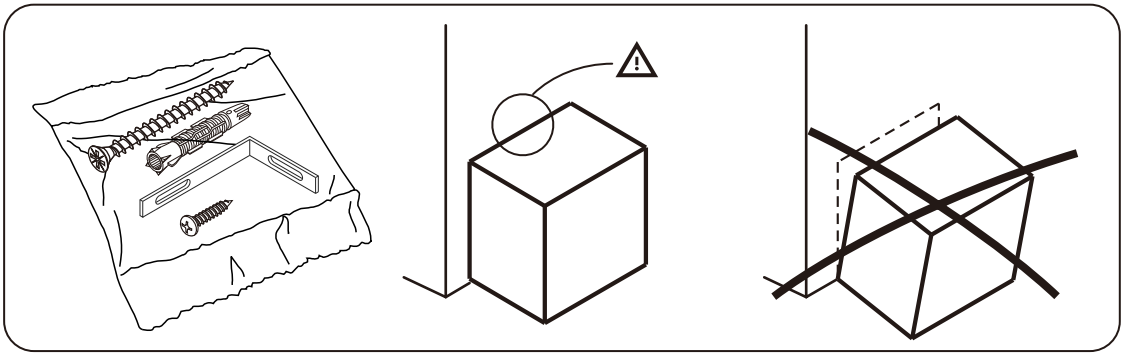


M3.5x20mm.



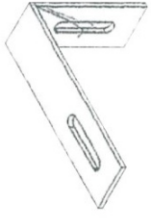
M3.5x20mm.



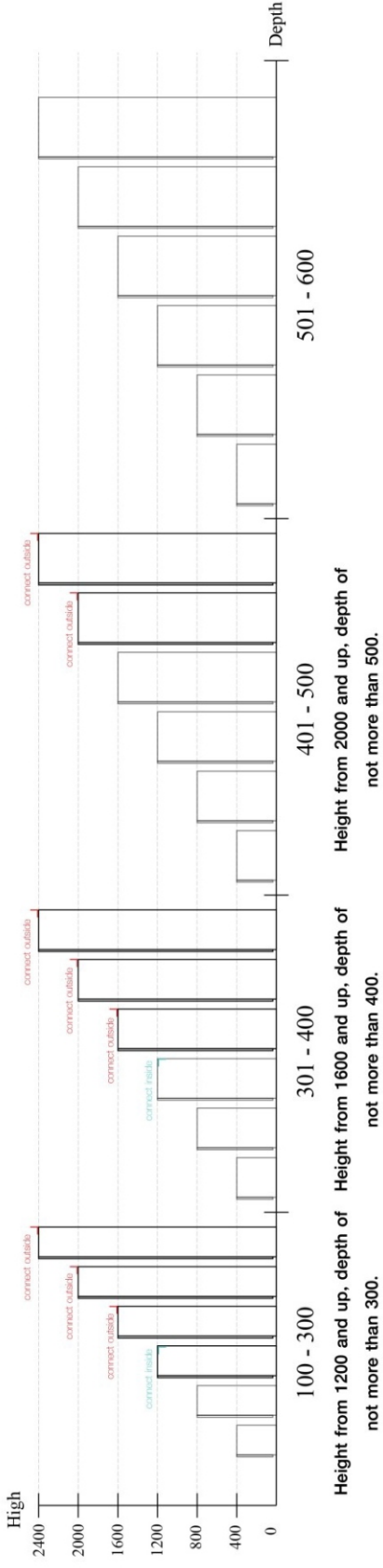


**The Standard for identifying which mounted safety fall protection fitting to use** **Note : That children's products must be installed with all anti-falling fittings.**

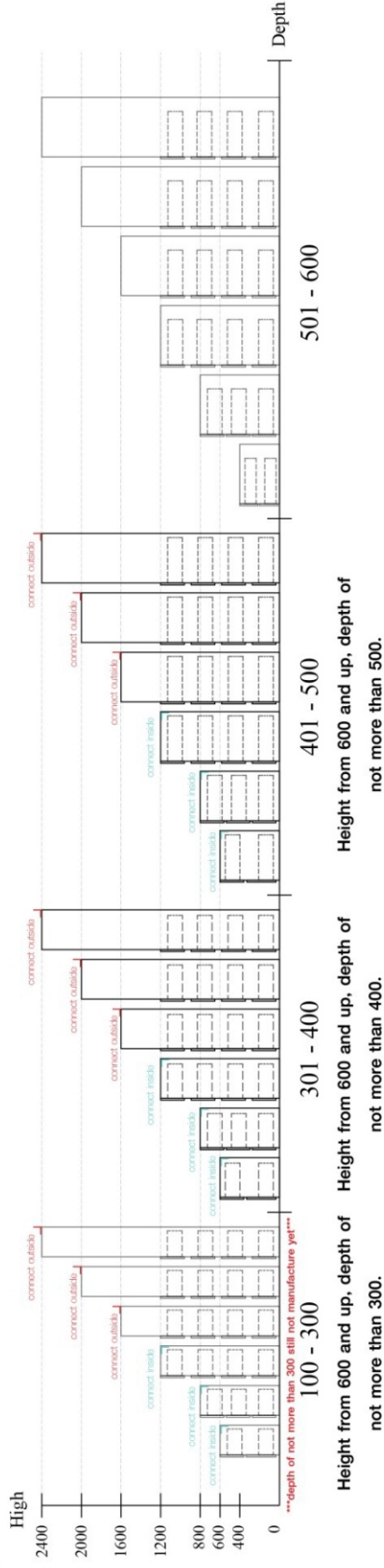
■ Mounted fall protection fittings



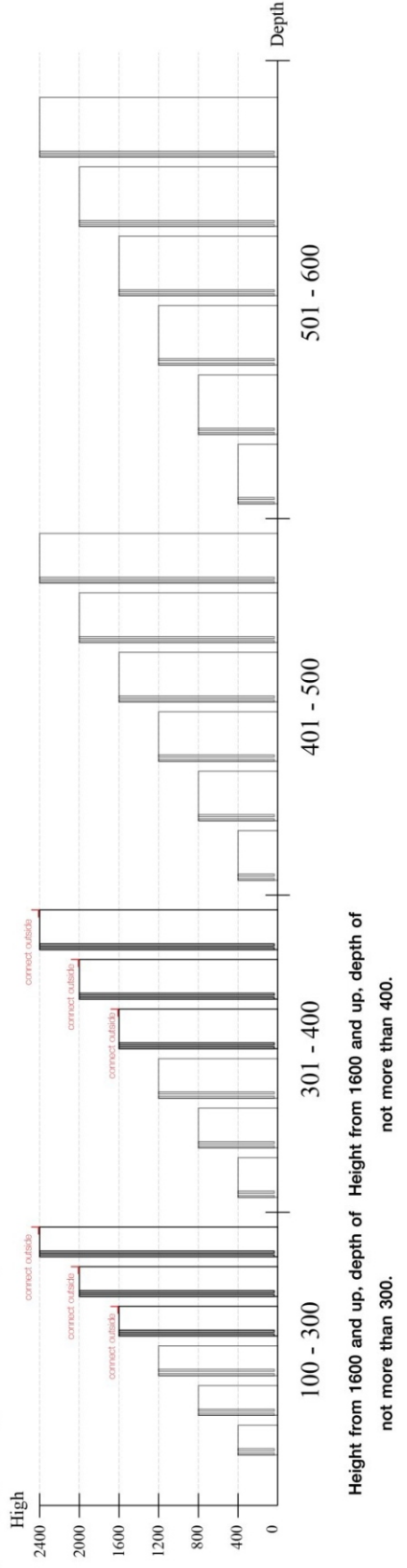
■ Category : Cabinet with open doors



■ Category : Chest of drawers

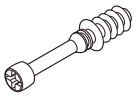


■ Category : Sliding door cabinet / Open cabinet



# HARDWARE

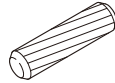
## -BODY SET



**x 12**



**x 12**



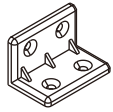
8x35mm.

**x 16**

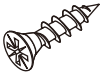


M4x50mm.

**x 4**

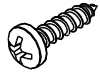


**x 10**



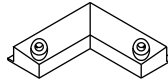
M4x16mm.

**x 56**



M4x16mm.

**x 9**



**x 4**

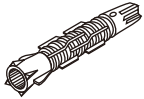


M3.5x20mm.

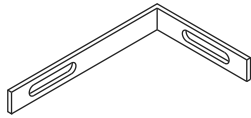
**x 16**



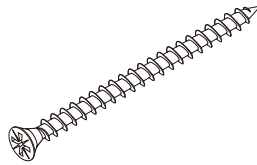
**x 8**



**x 1**

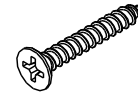


**x 1**



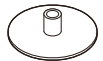
M5x50mm.

**x 1**

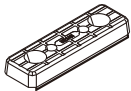


M4x30mm.

**x 3**

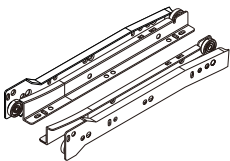


**x 1**



**x 8**

## -DRAWER SET

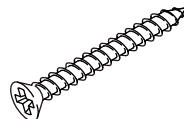


**x 5**



M3.5x13mm.

**x 40**



M4x40mm.

**x 60**



M6x23mm.

**x 30**

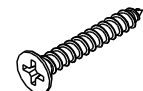


**x 1**



#GAL5/10.5 mm.

**x 30**



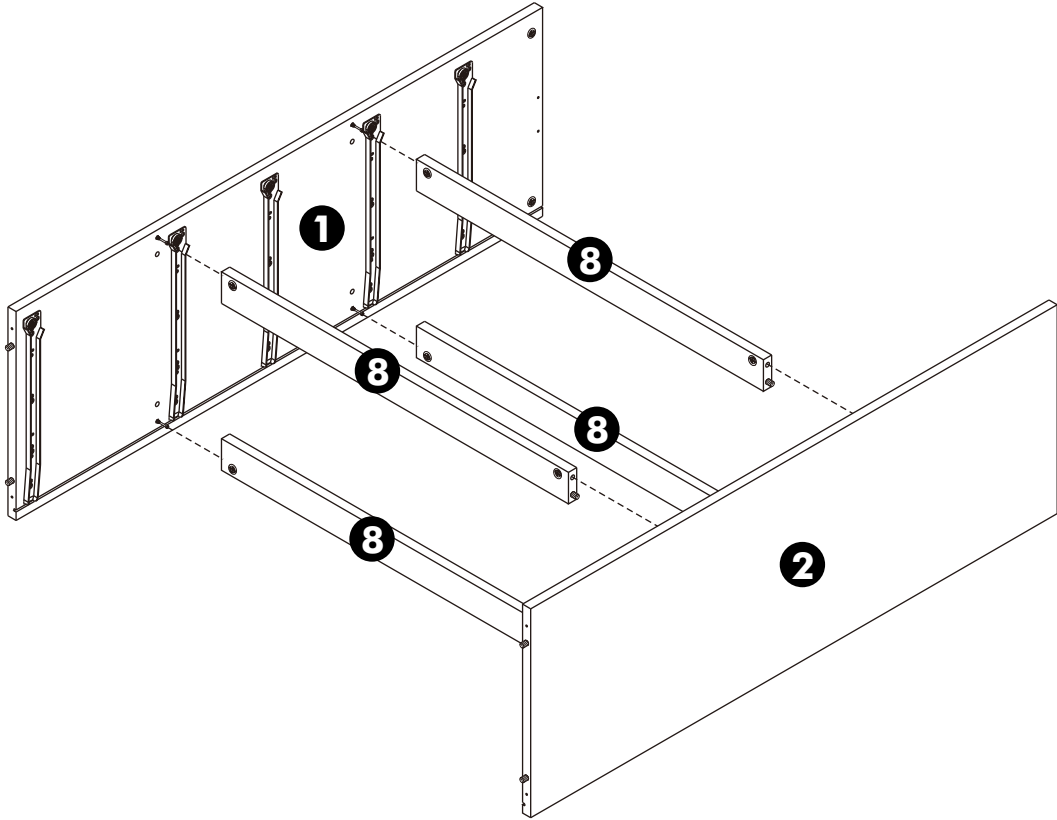
M4x30mm.(BLACK)

**x 15**

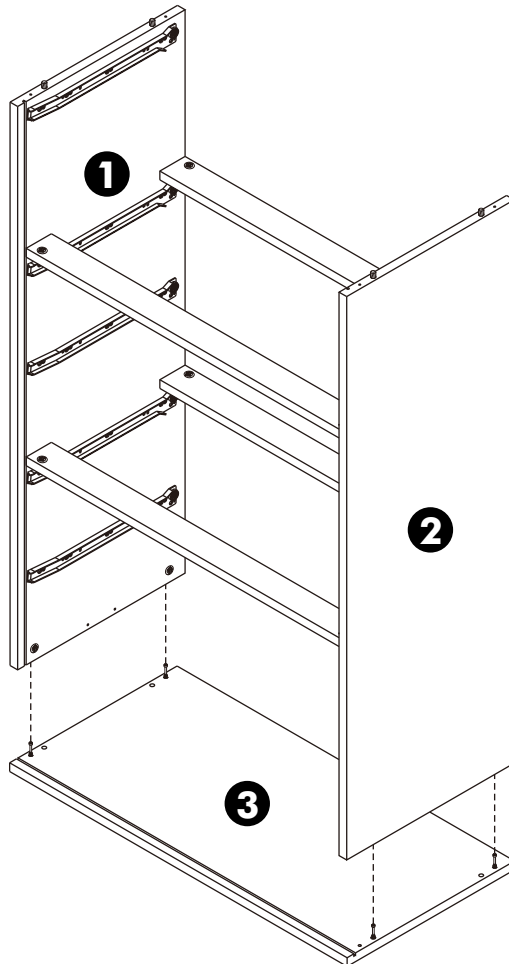
# ASSEMBLY

-BODY SET

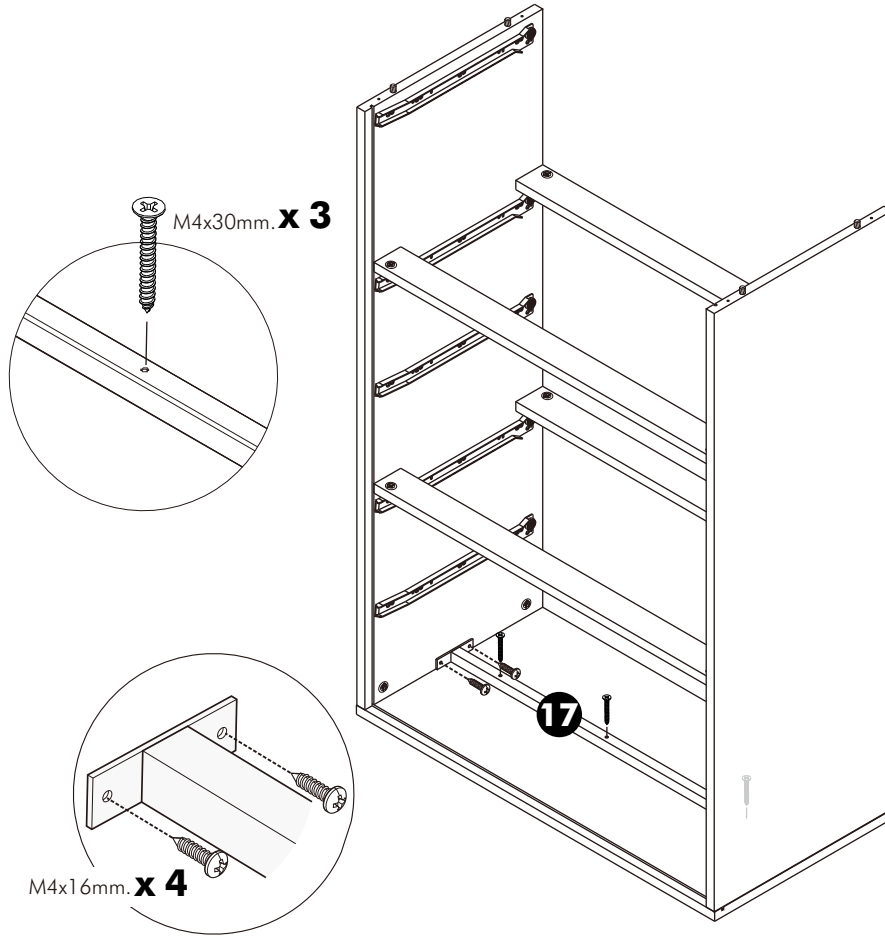
**1.**



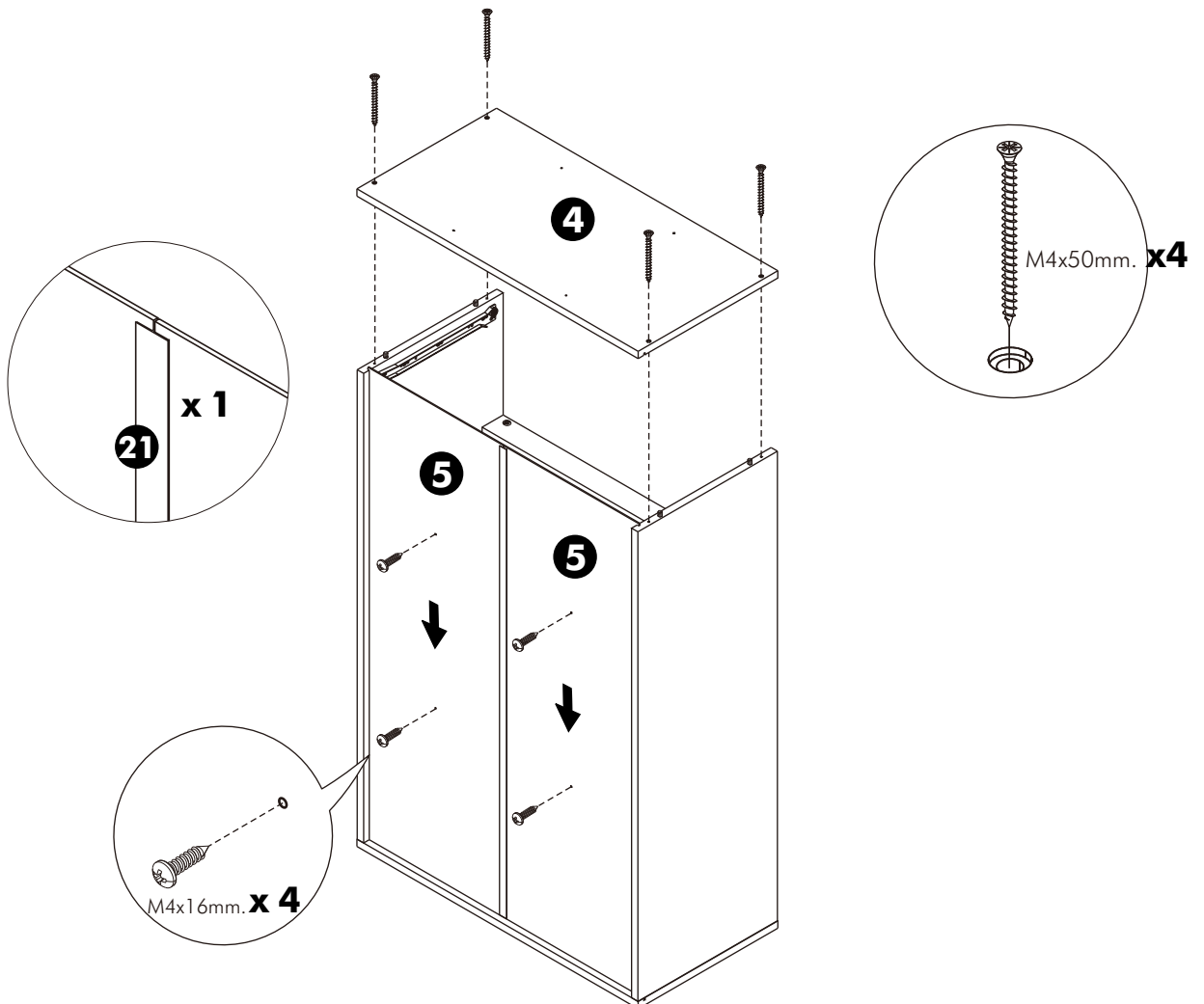
**2.**



**3.**

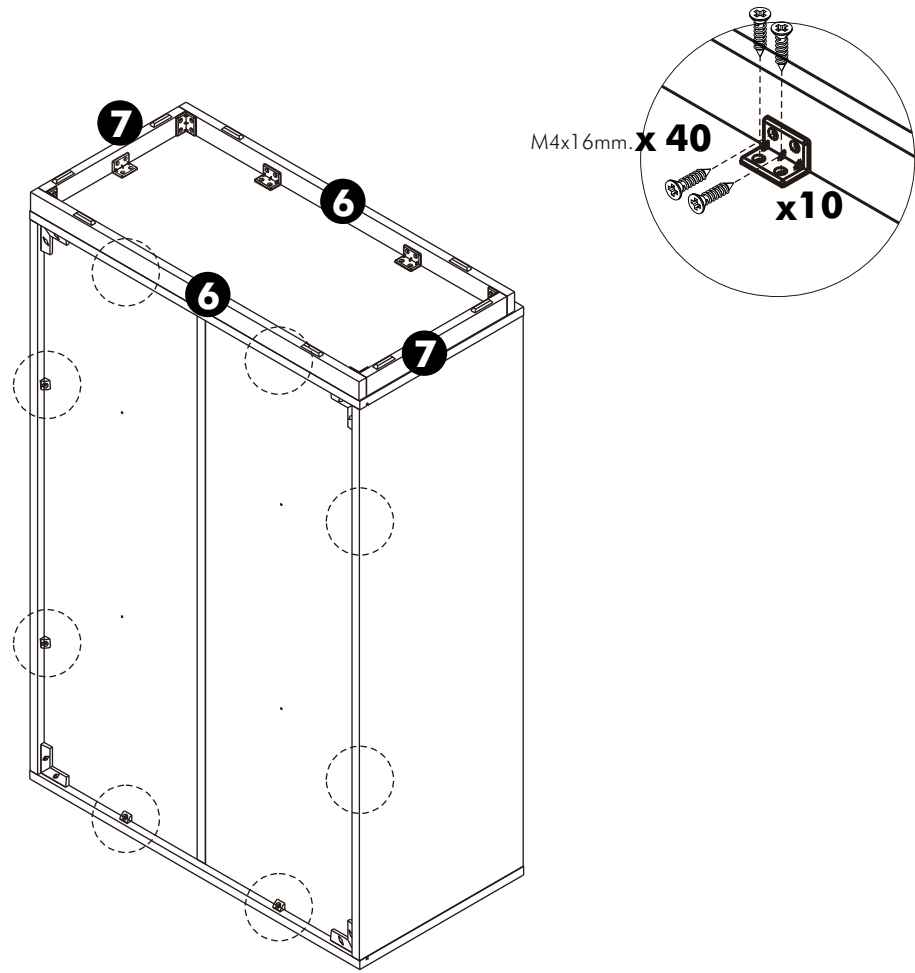


**4.**





5.



**ASSEMBLY**

-DRAWER SET

**4 Set**

