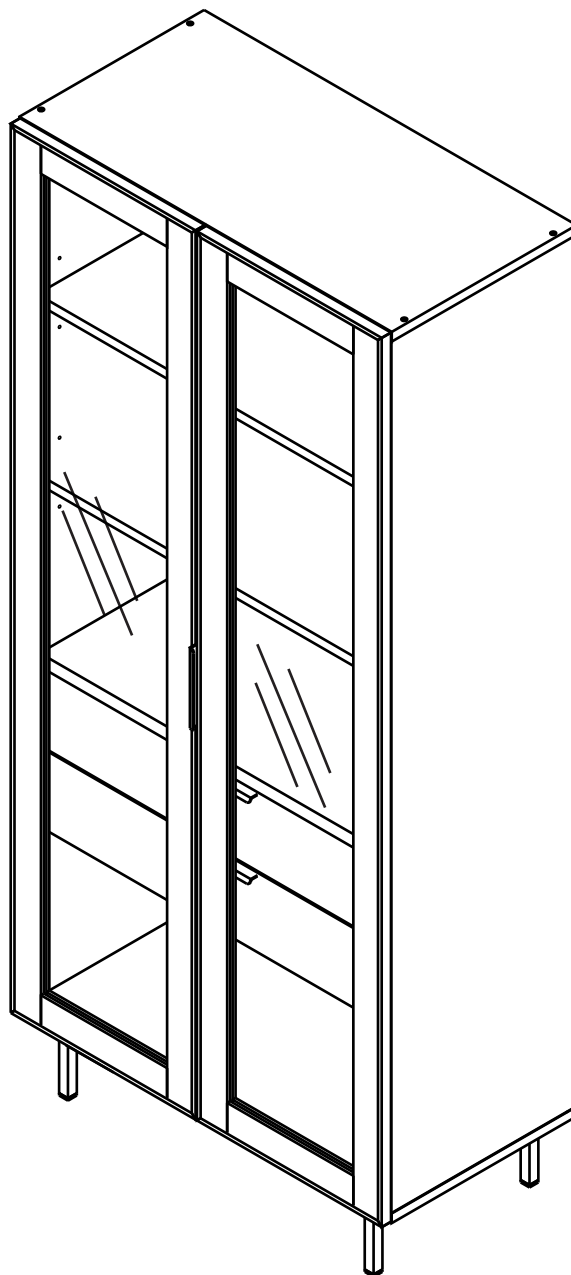
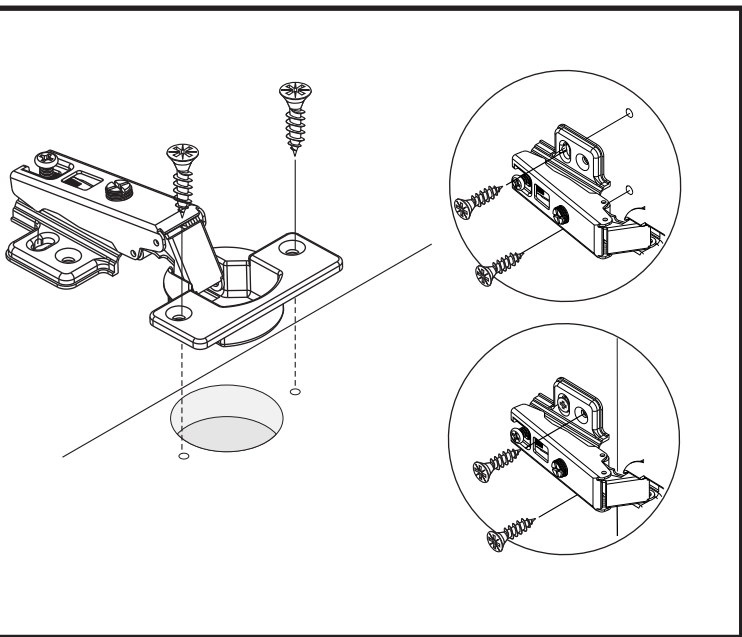
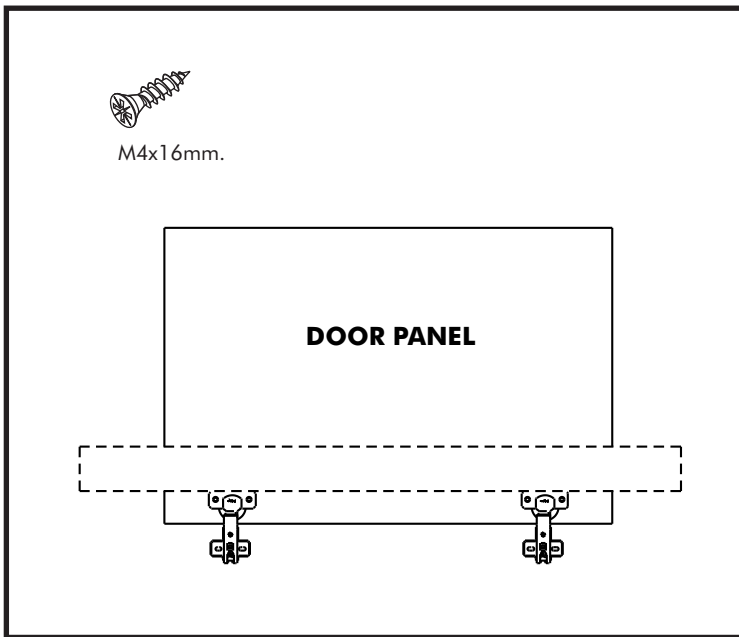
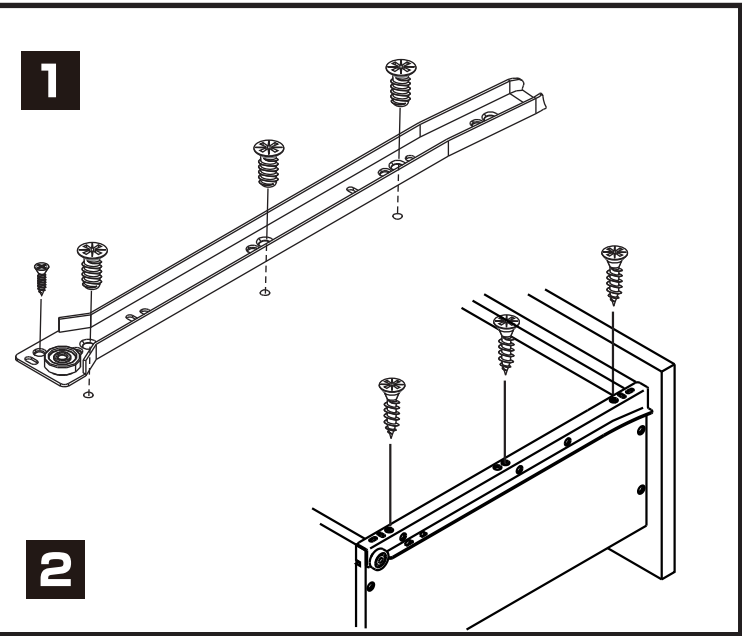
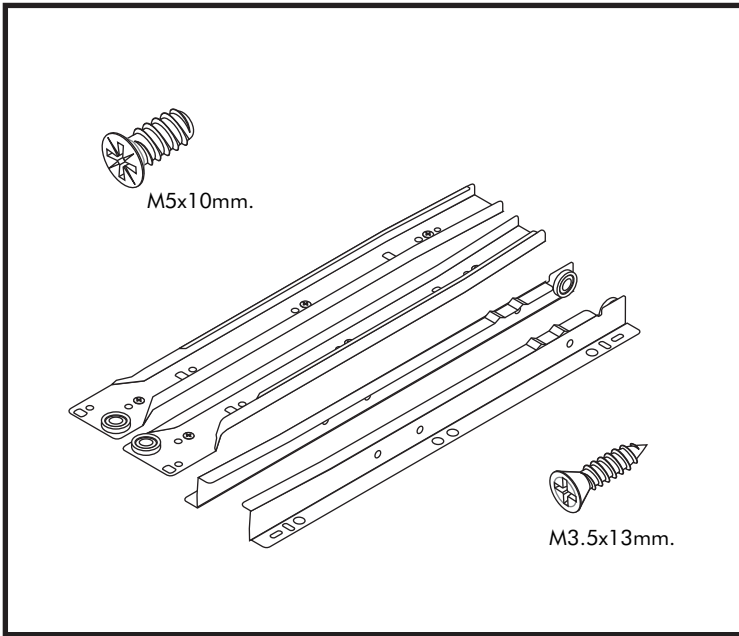
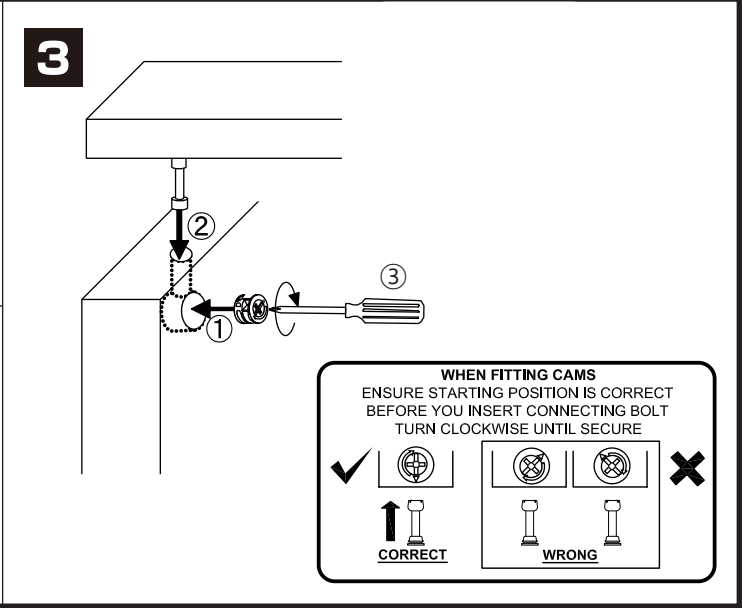
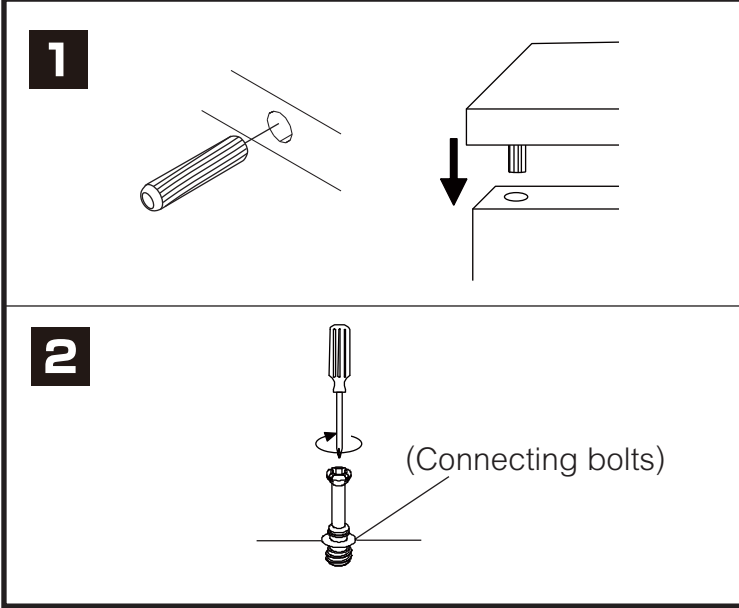


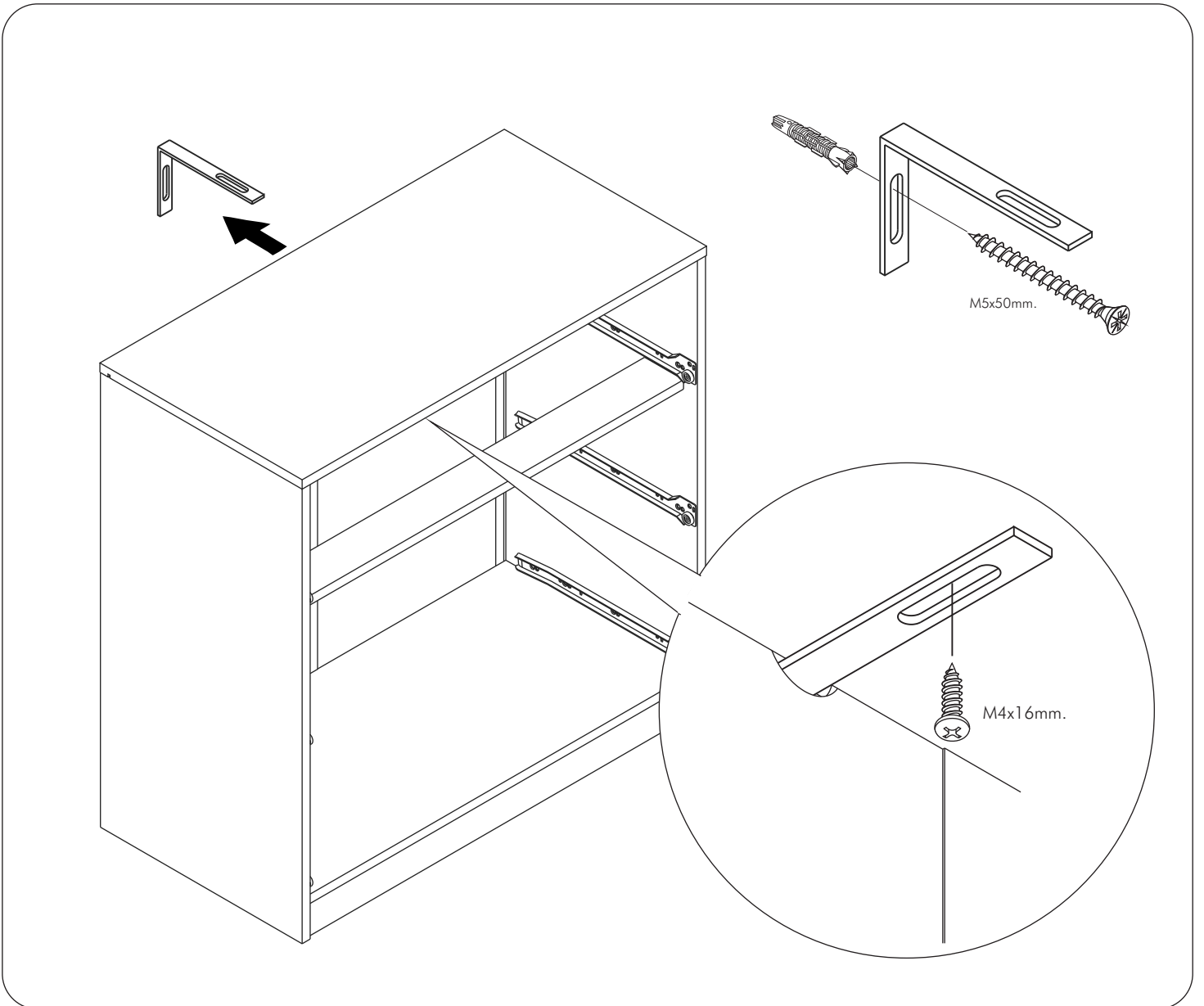
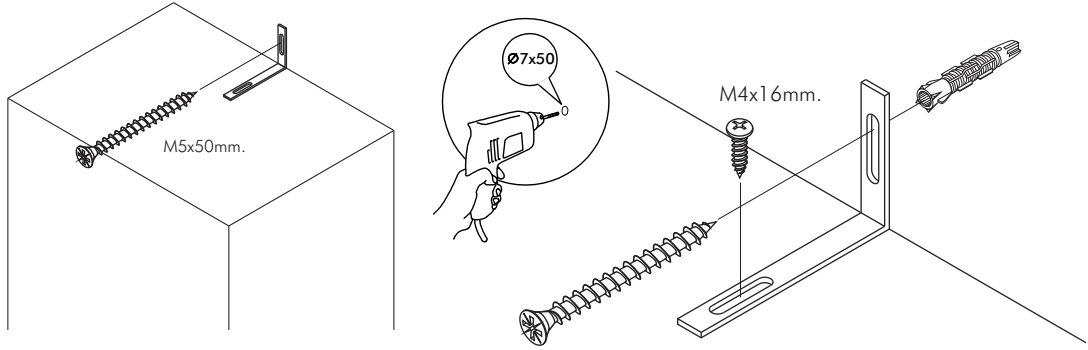
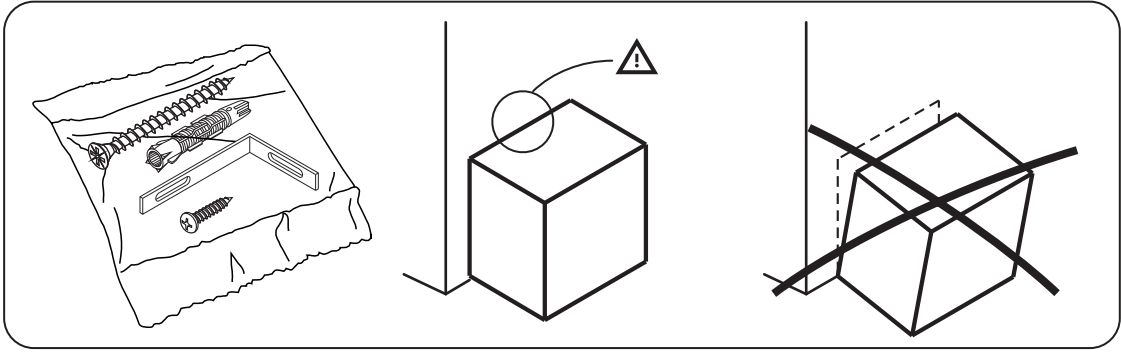
MILAN

Show cabinet 80 cm.



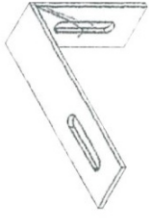
CONNECT SYSTEM



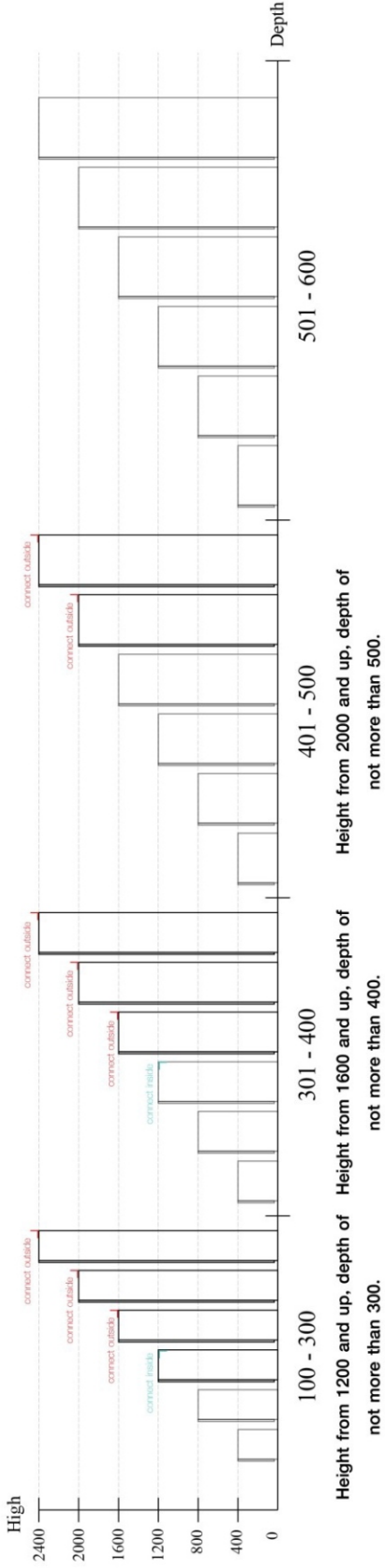


The Standard for identifying which mounted safety fall protection fitting to use **Note : That children's products must be installed with all anti-falling fittings.**

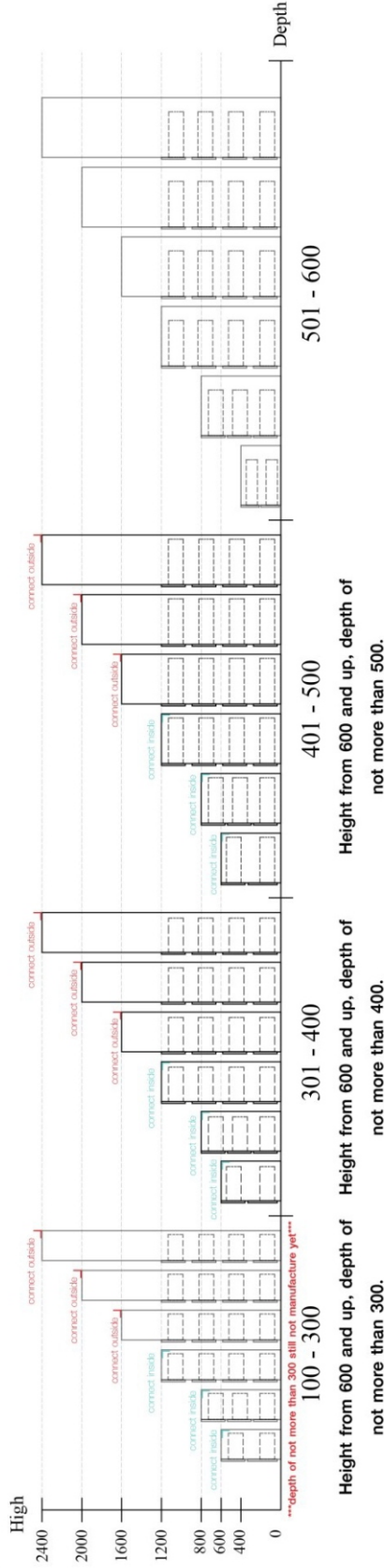
■ Mounted fall protection fittings



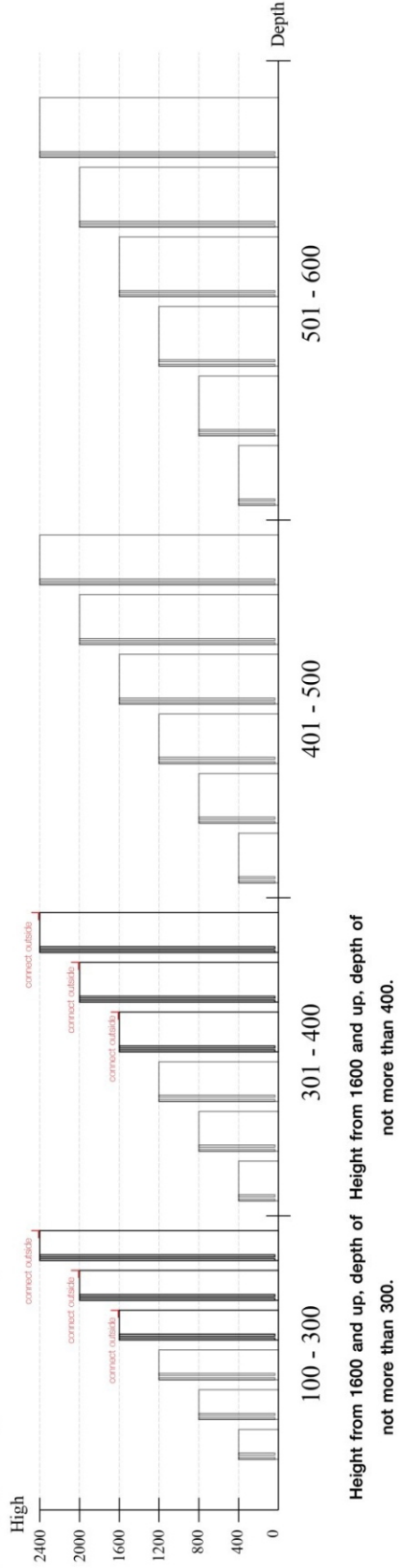
■ Category : Cabinet with open doors



■ Category : Chest of drawers

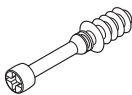


■ Category : Sliding door cabinet / Open cabinet



HARDWARE

-BODY SET

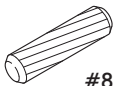


x 4



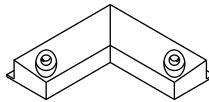
19mm.

x 4

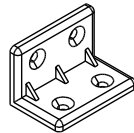


#8x35

x 12



x 2



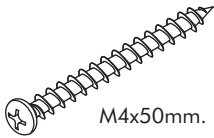
x 10



x 4

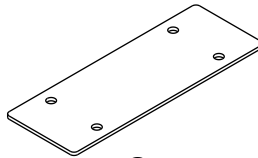


x 8



M4x50mm.

x 6



x 2



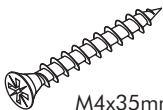
M4x16mm.

x 40



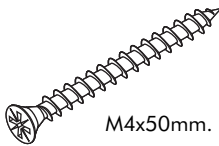
M3.5x20mm.

x 8



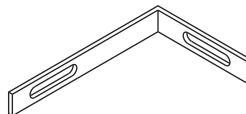
M4x35mm.

x 8

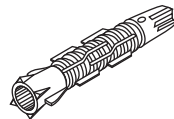


M4x50mm.

x 8



x 1

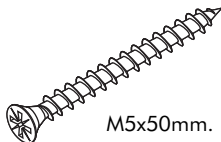


x 1



M4x16mm.

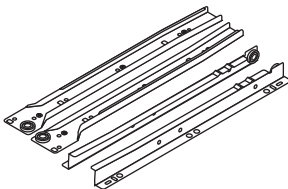
x 29



M5x50mm.

x 1

-DRAWER SET



x 2



M3.5x13mm.

x 16



M4x40mm.

x 24



M6x23mm.

x 12

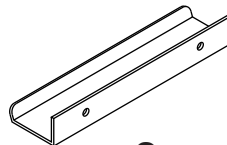


x 1



M3.5x16mm.

x 4

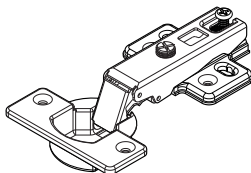


x 2



x 12

-DOOR SET



x 6

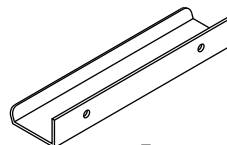


M4x16mm.

x 36



x 4



x 1



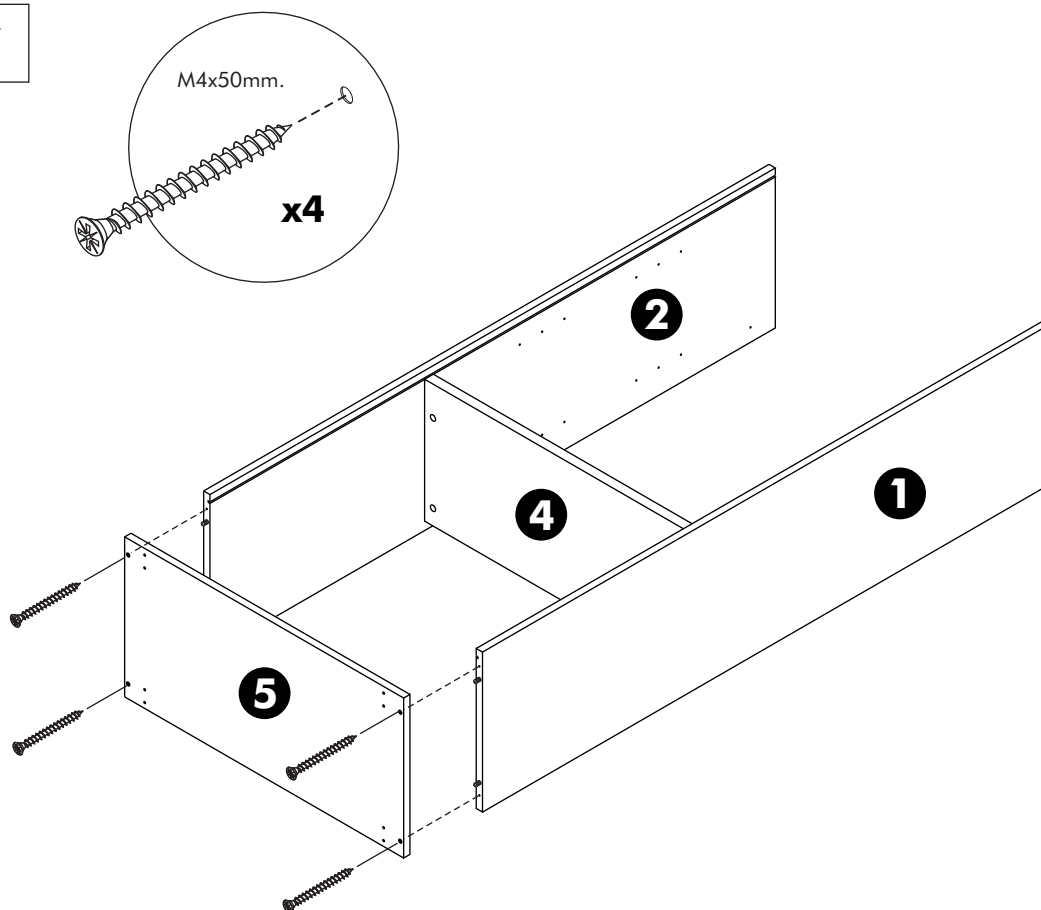
M3.5x16mm.

x 2

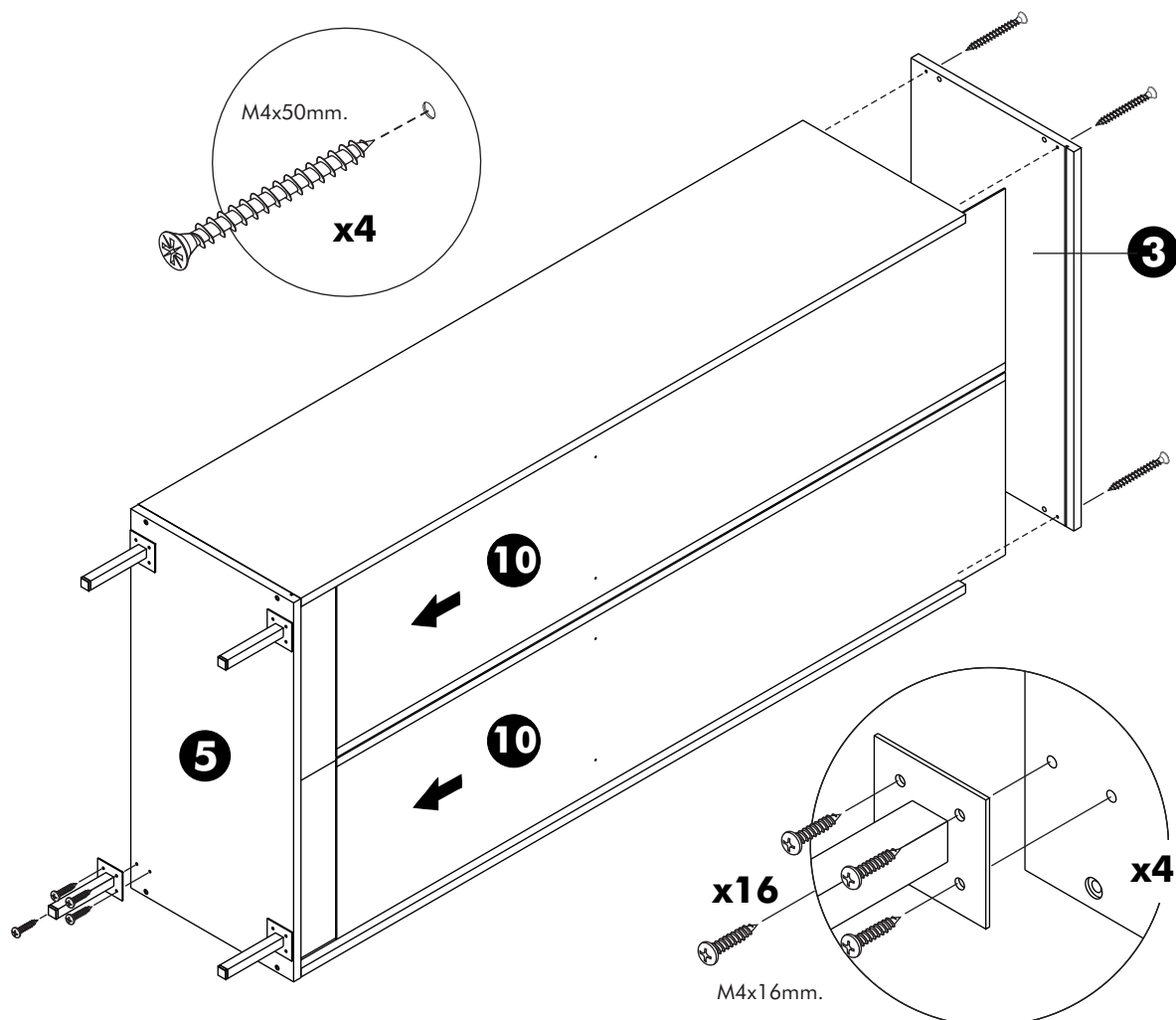
ASSEMBLY

-BODY SET

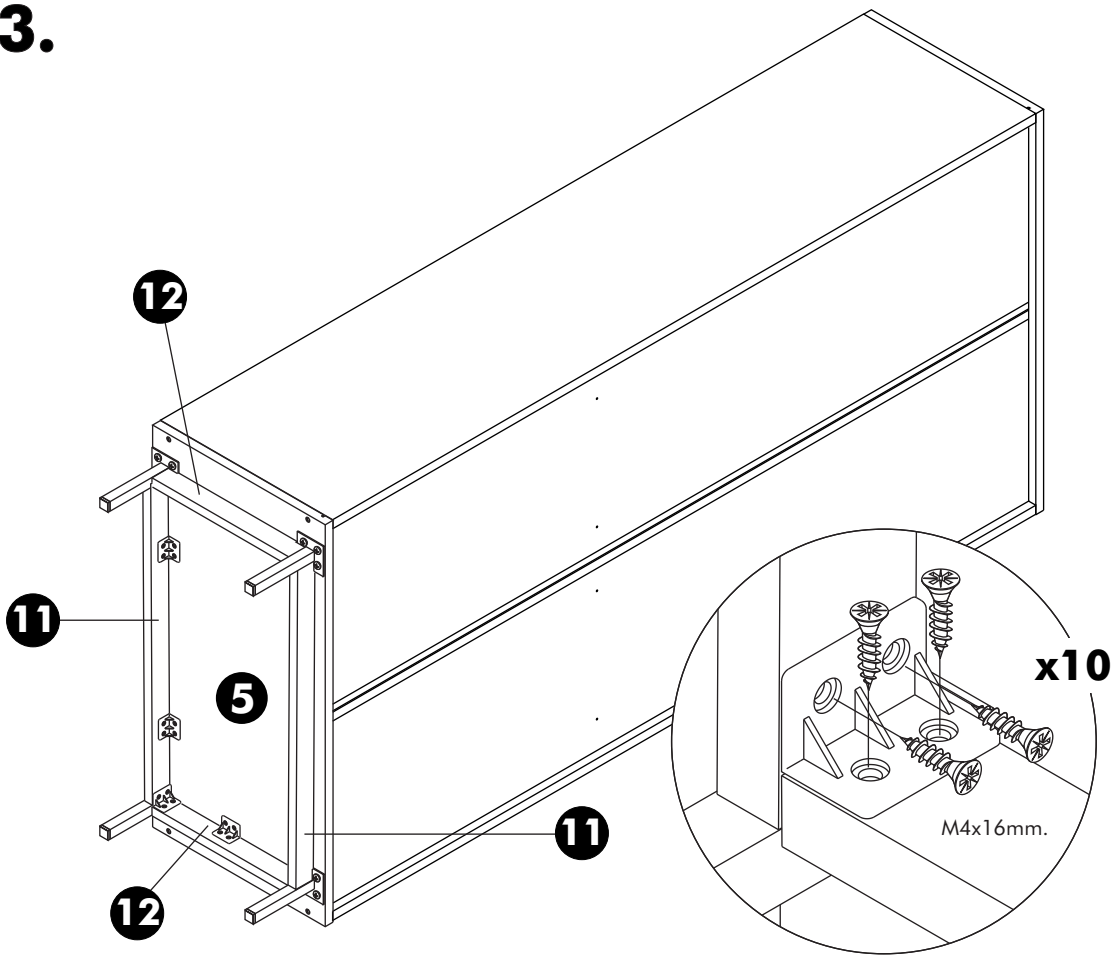
1.



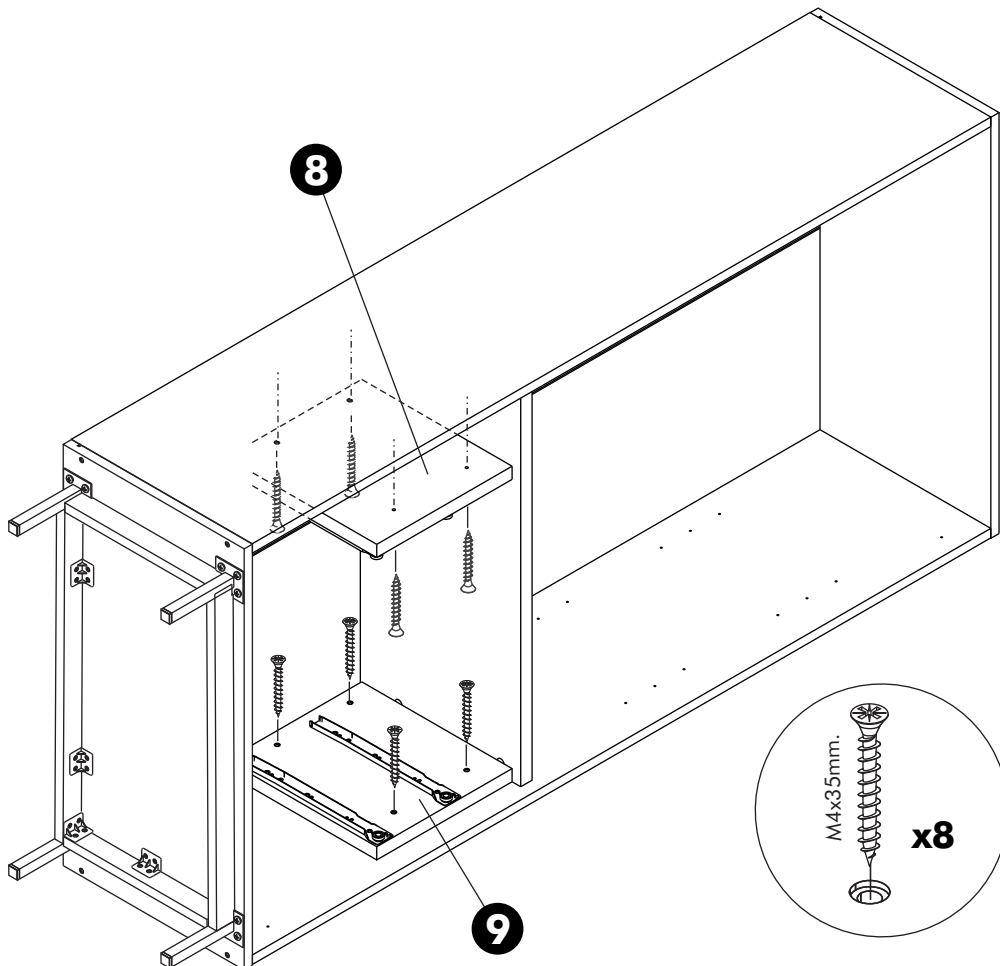
2.



3.

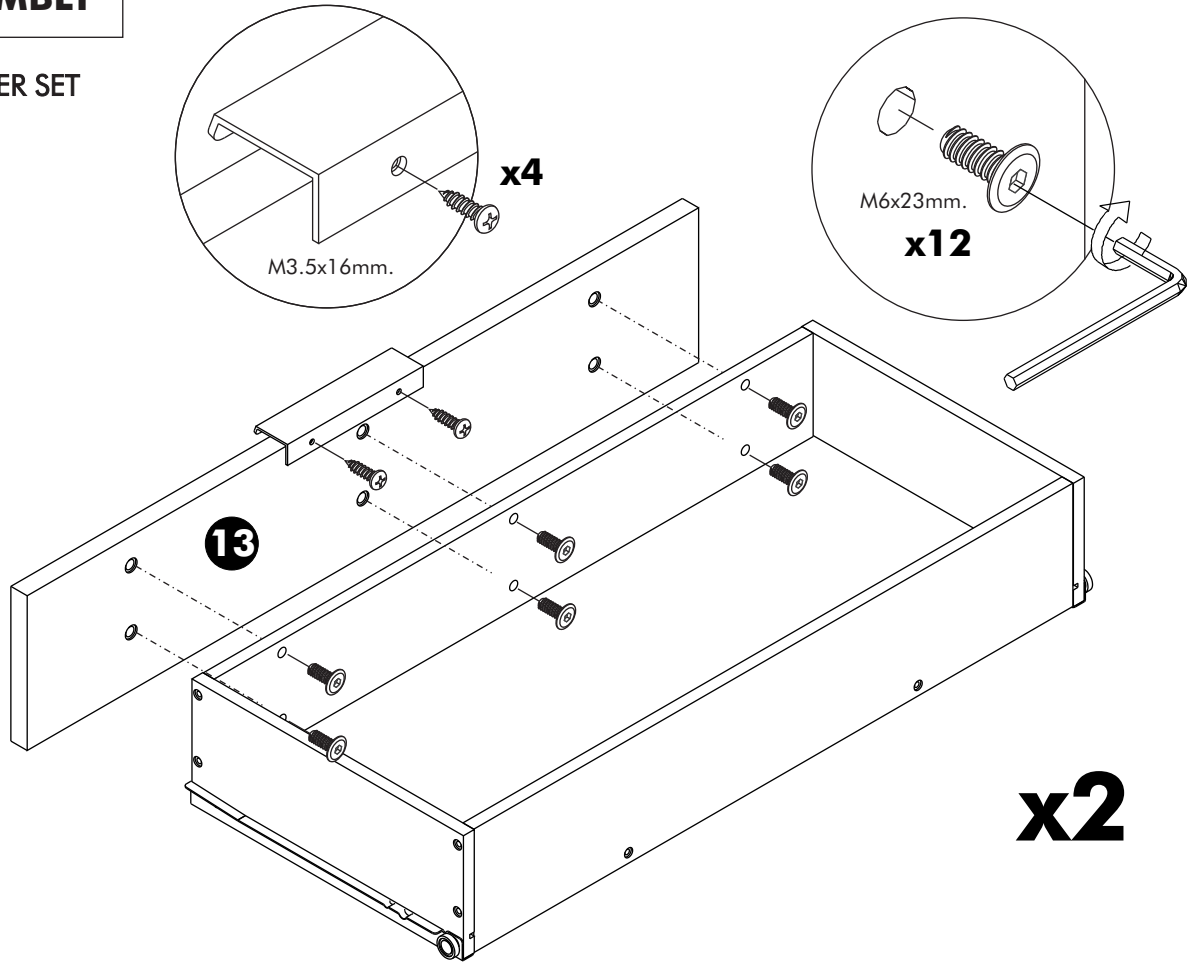


4.



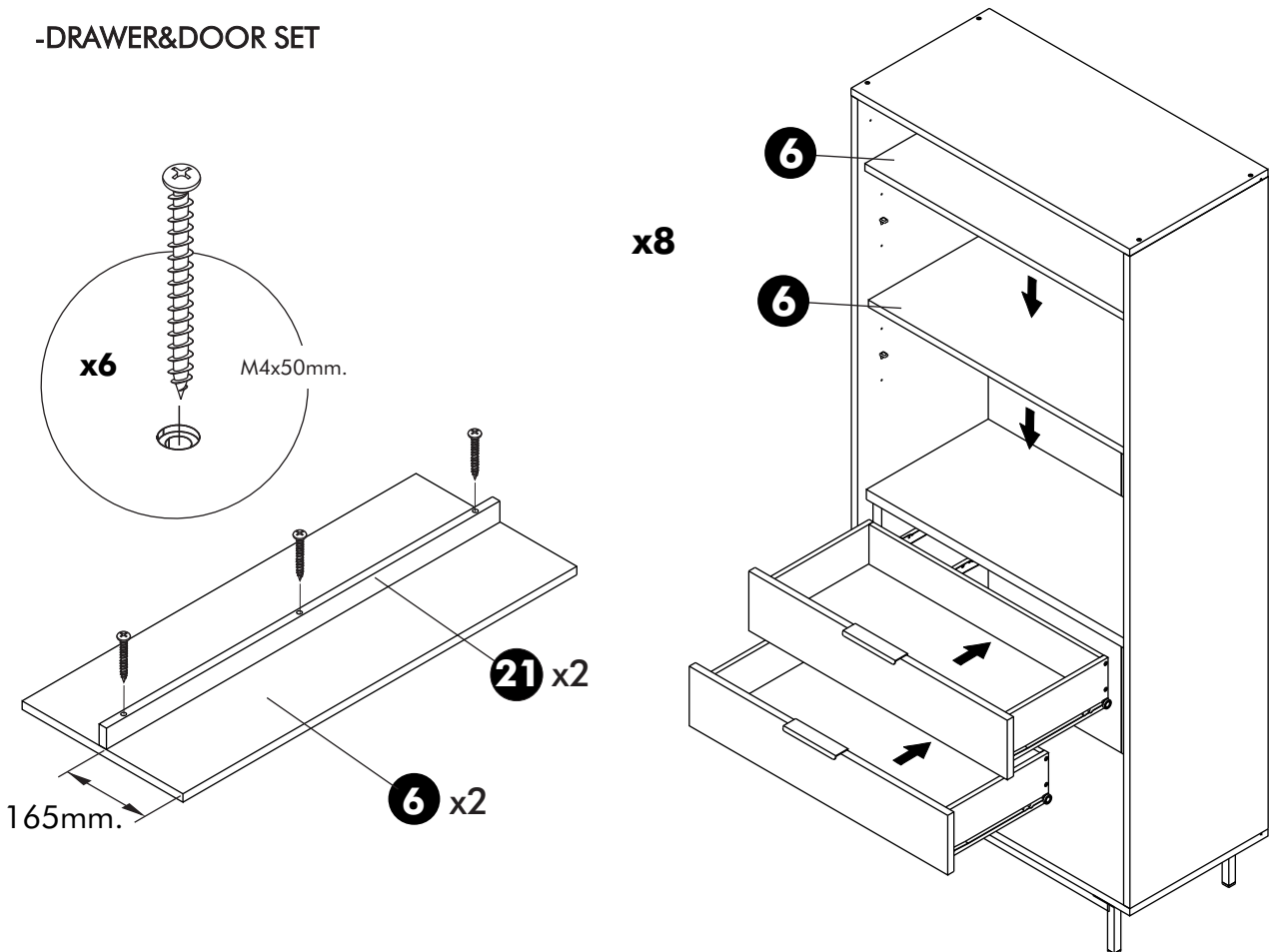
ASSEMBLY

-DRAWER SET



ASSEMBLY

-DRAWER&DOOR SET



ASSEMBLY

-DRAWER&DOOR SET

