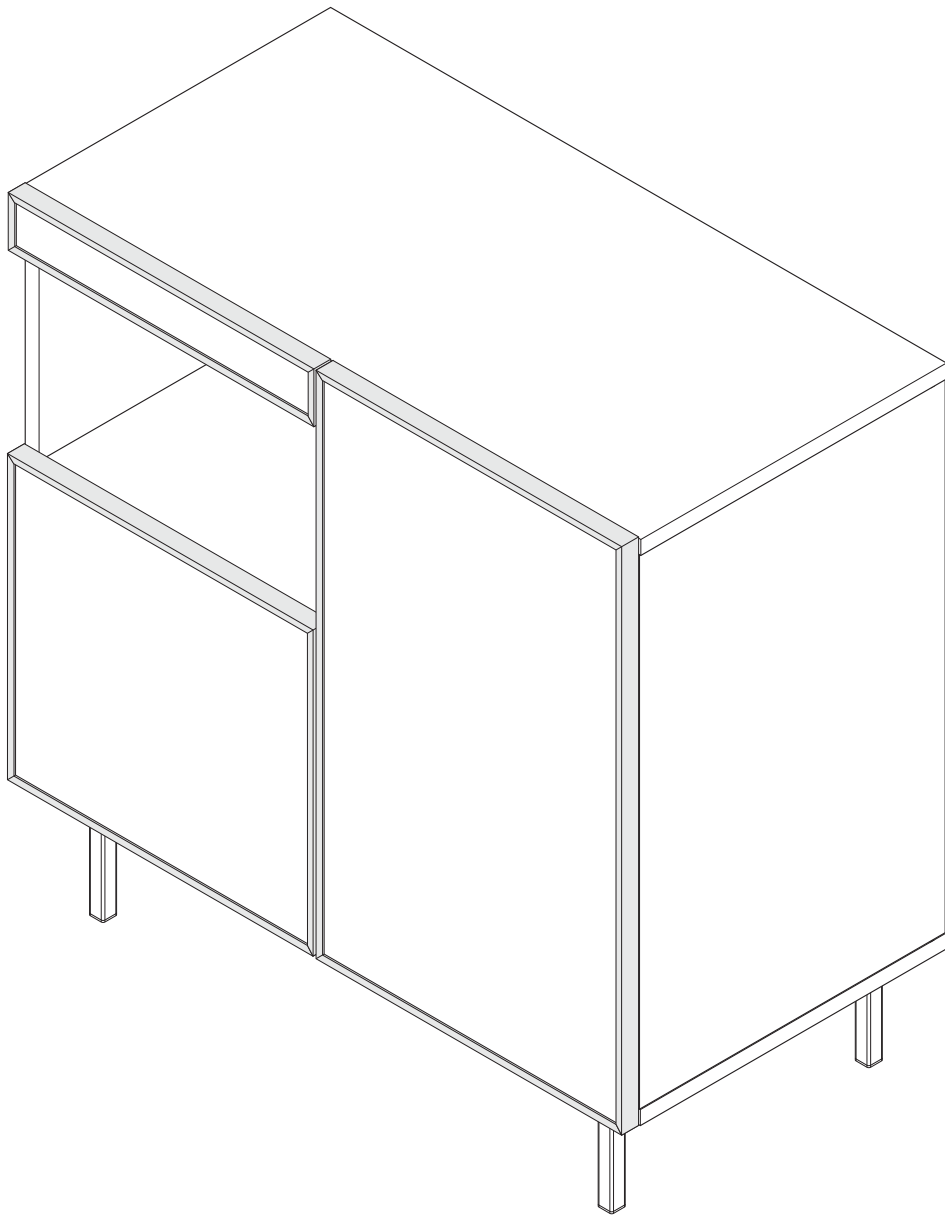
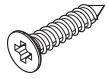


# MILAN

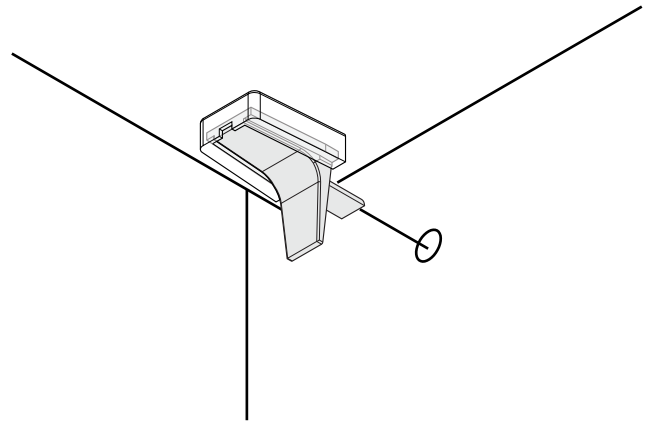
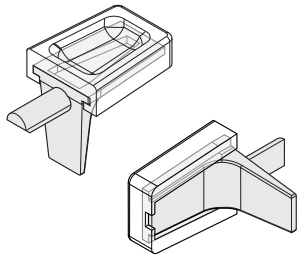
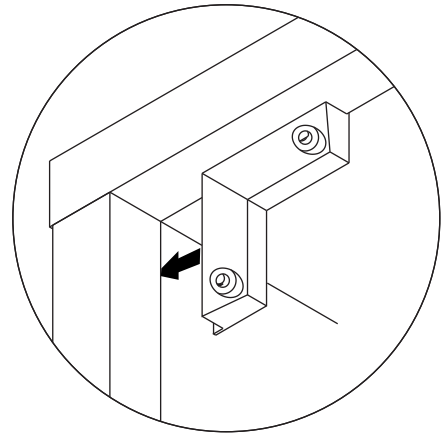
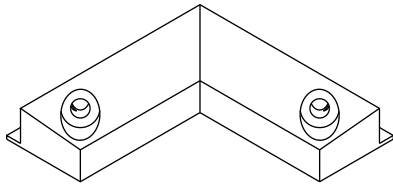
**Low cabinet 80 cm.**

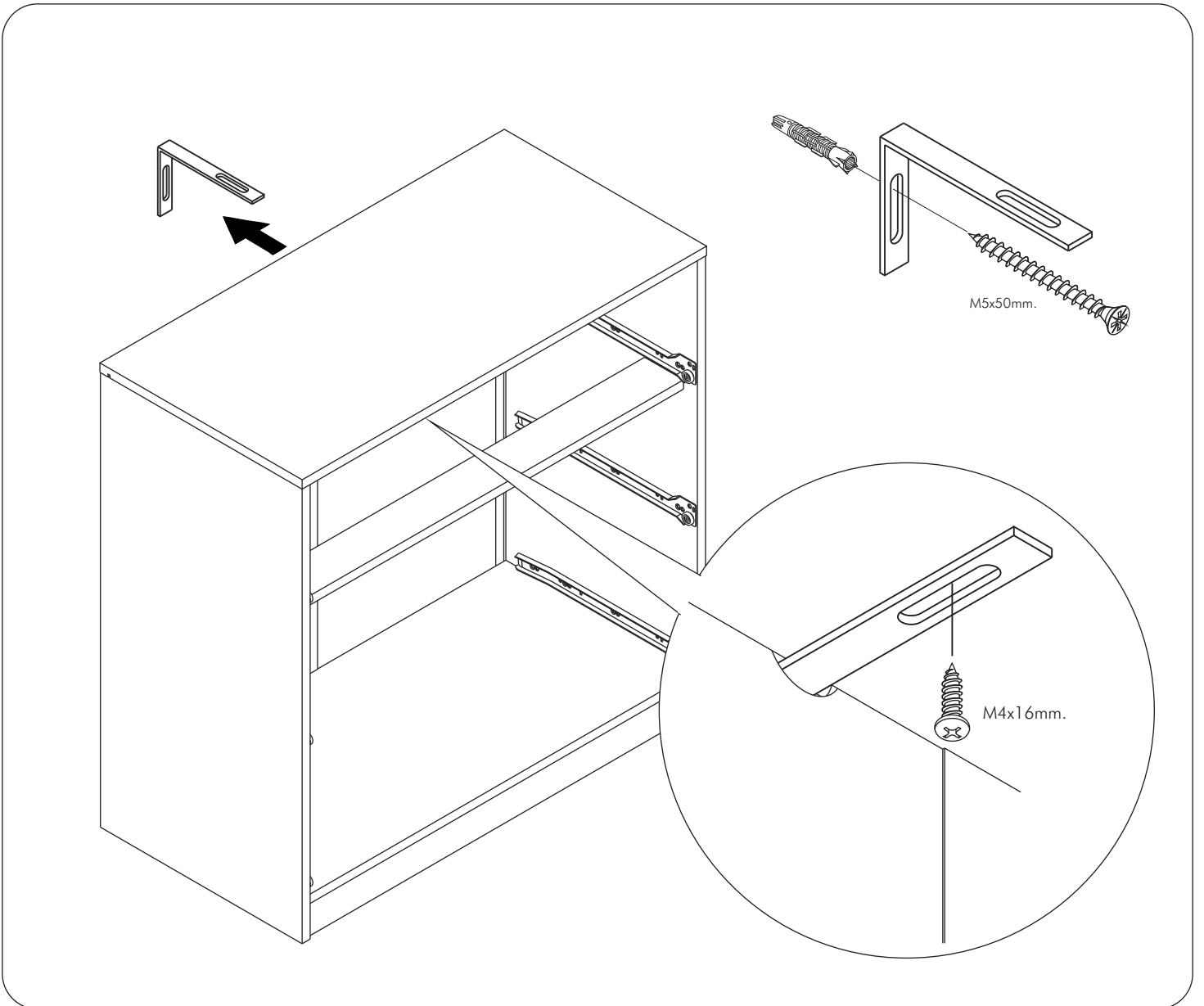
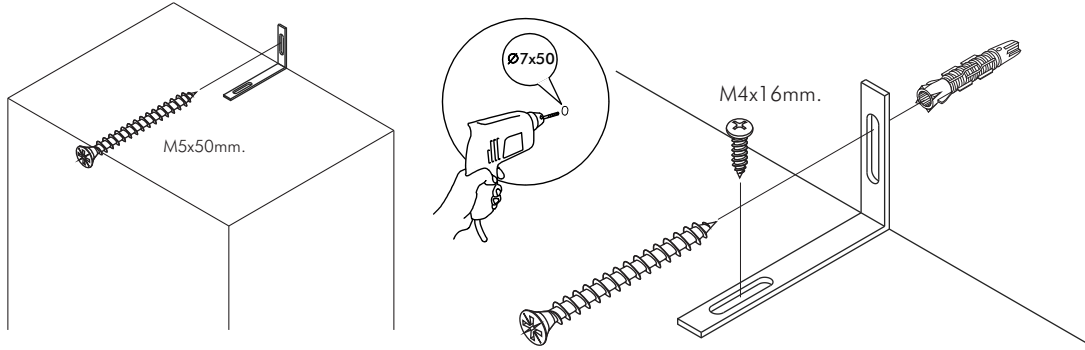
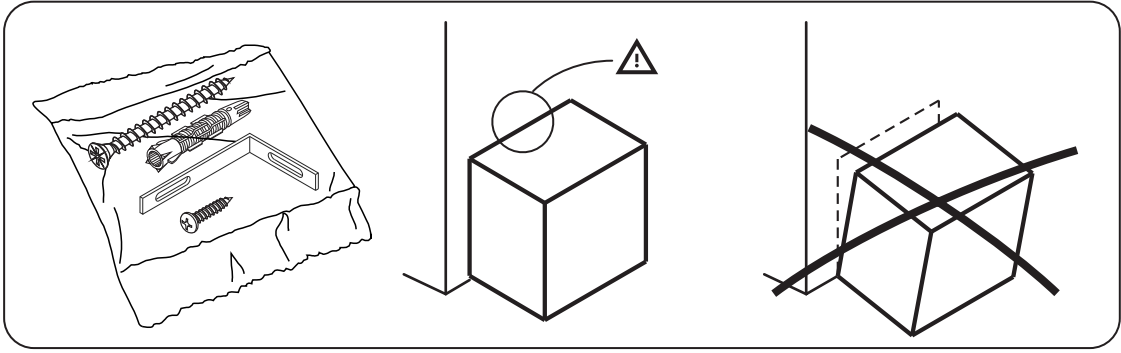






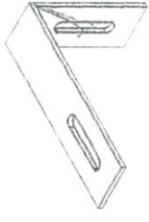
M3.5x20mm.





**The Standard for identifying which mounted safety fall protection fitting to use** **Note : That children's products must be installed with all anti-falling fittings.**

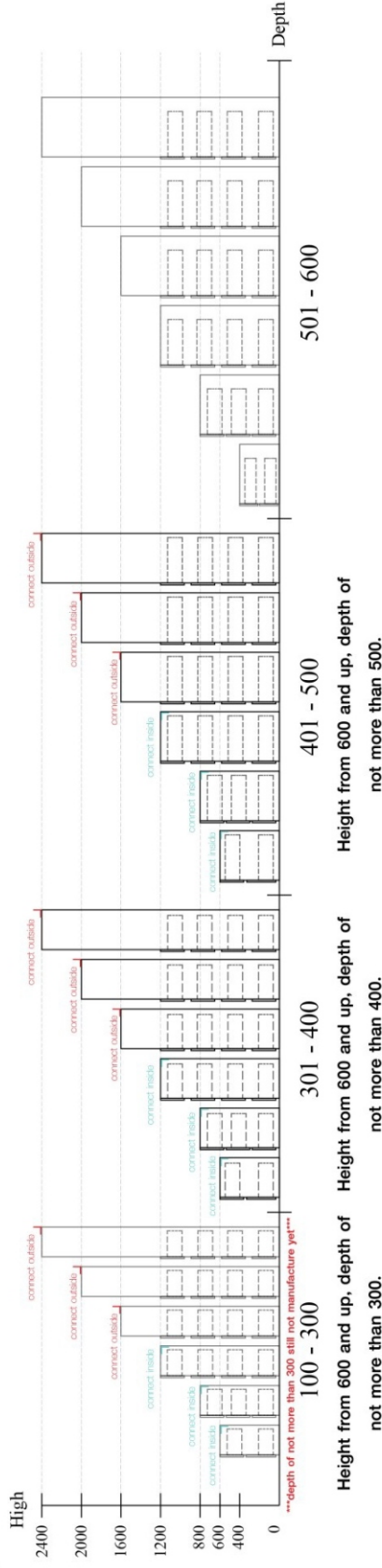
■ Mounted fall protection fittings



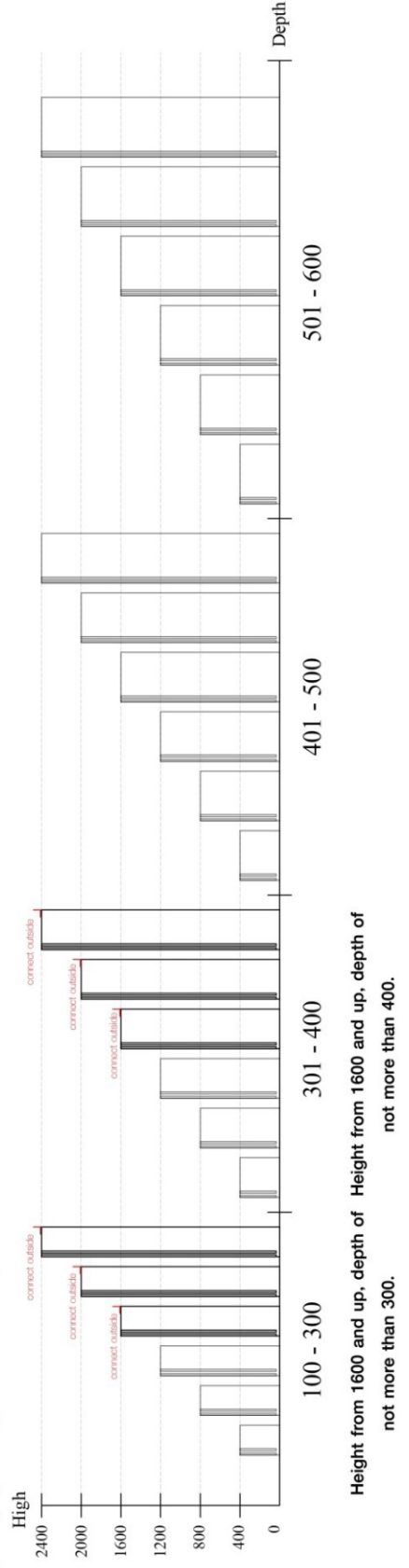
■ Category : Cabinet with open doors



■ Category : Chest of drawers

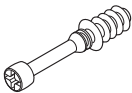


■ Category : Sliding door cabinet / Open cabinet



# HARDWARE

## -BODY SET

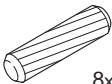


**x 10**



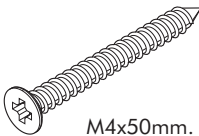
19mm.

**x 10**



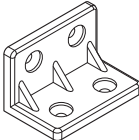
8x35

**x 18**



M4x50mm.

**x 6**

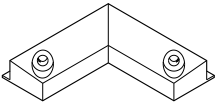


**x 14**



M4x16mm.

**x 56**

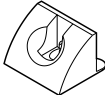


**x 4**

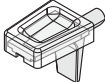


M3.5x20mm.

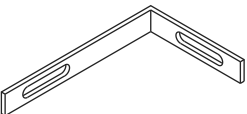
**x 16**



**x 8**



**x 4**



**x 1**



M5x50mm.

**x 1**



**x 1**



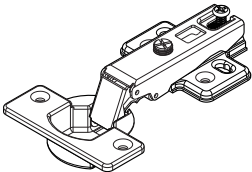
M4x16mm.

**x 17**



**x 2**

## -DOOR SET



**x 4**



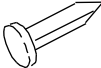
M4x16mm.

**x 24**

## -LAMP SET



**x 3**

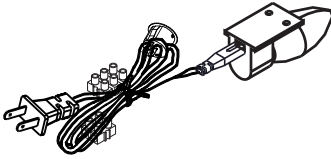


**x 3**



#5x3/4"

**x 2**



**x 1**



#5x1/2"

**x 2**

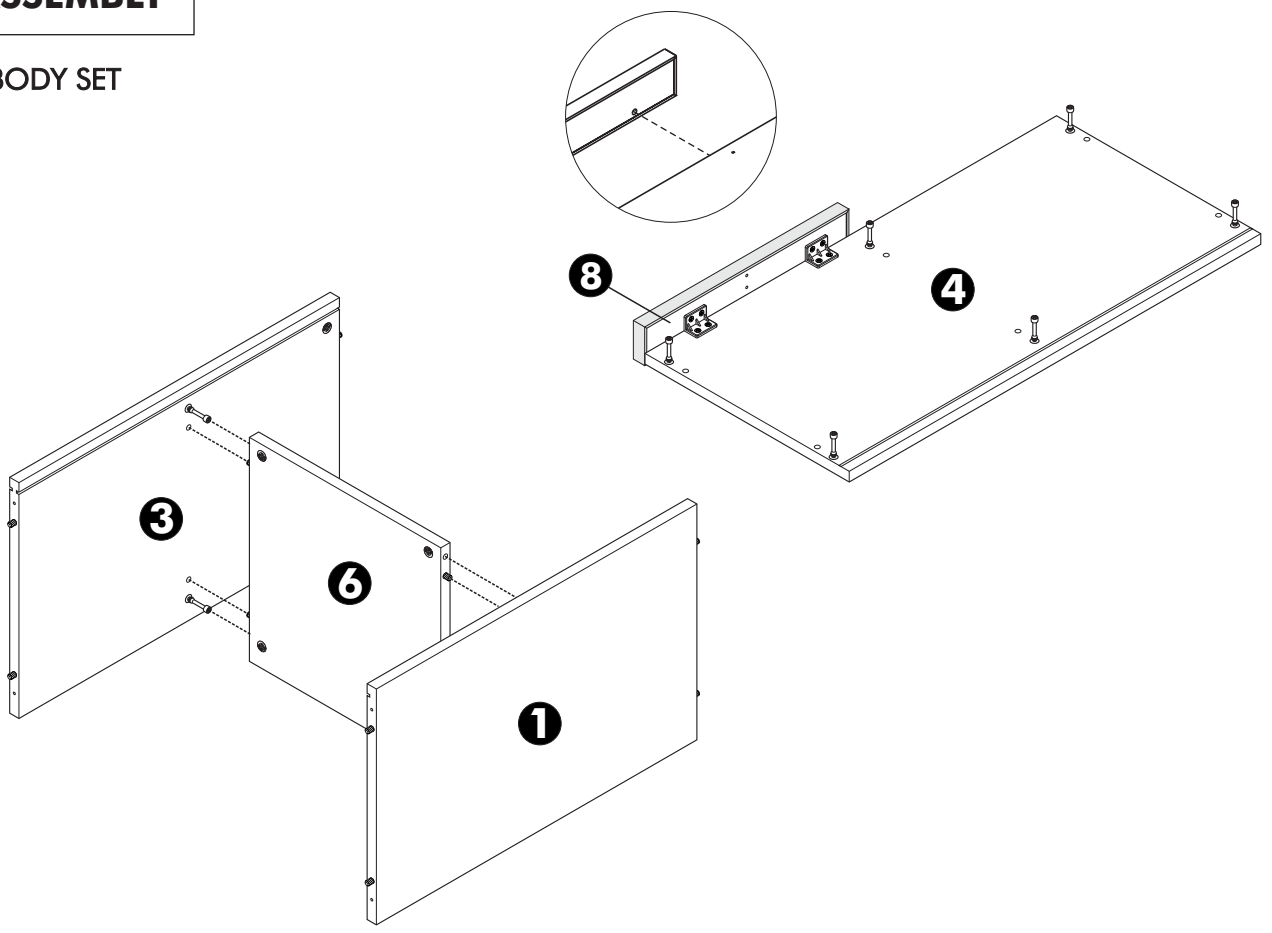


**x 1**

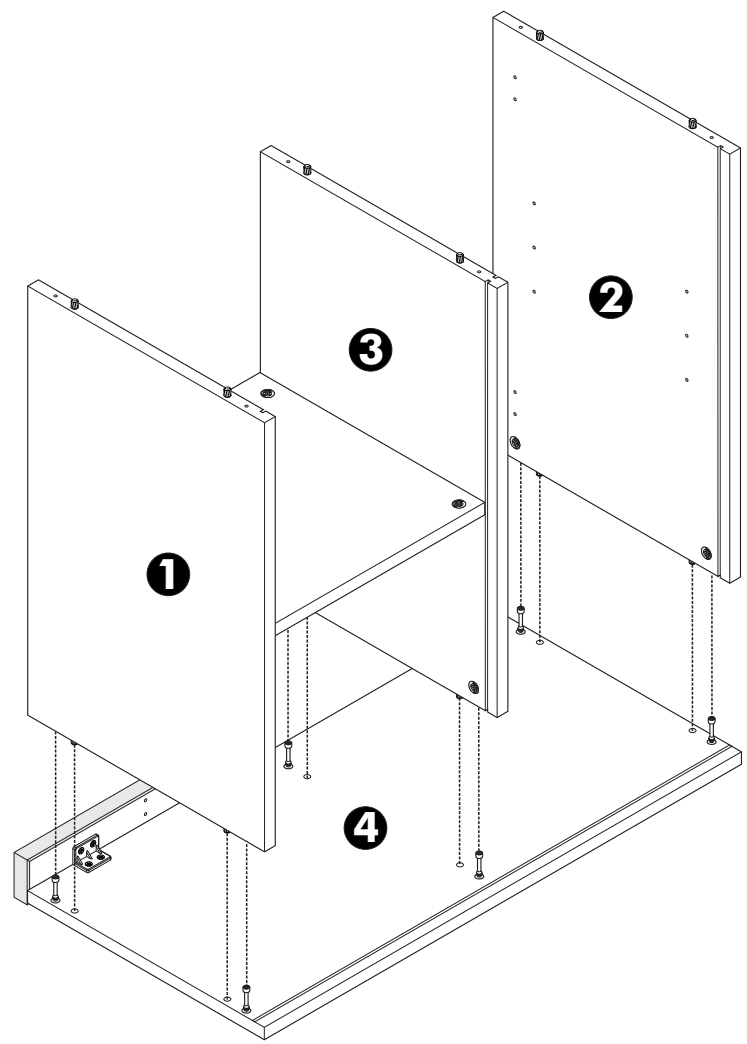
# ASSEMBLY

-BODY SET

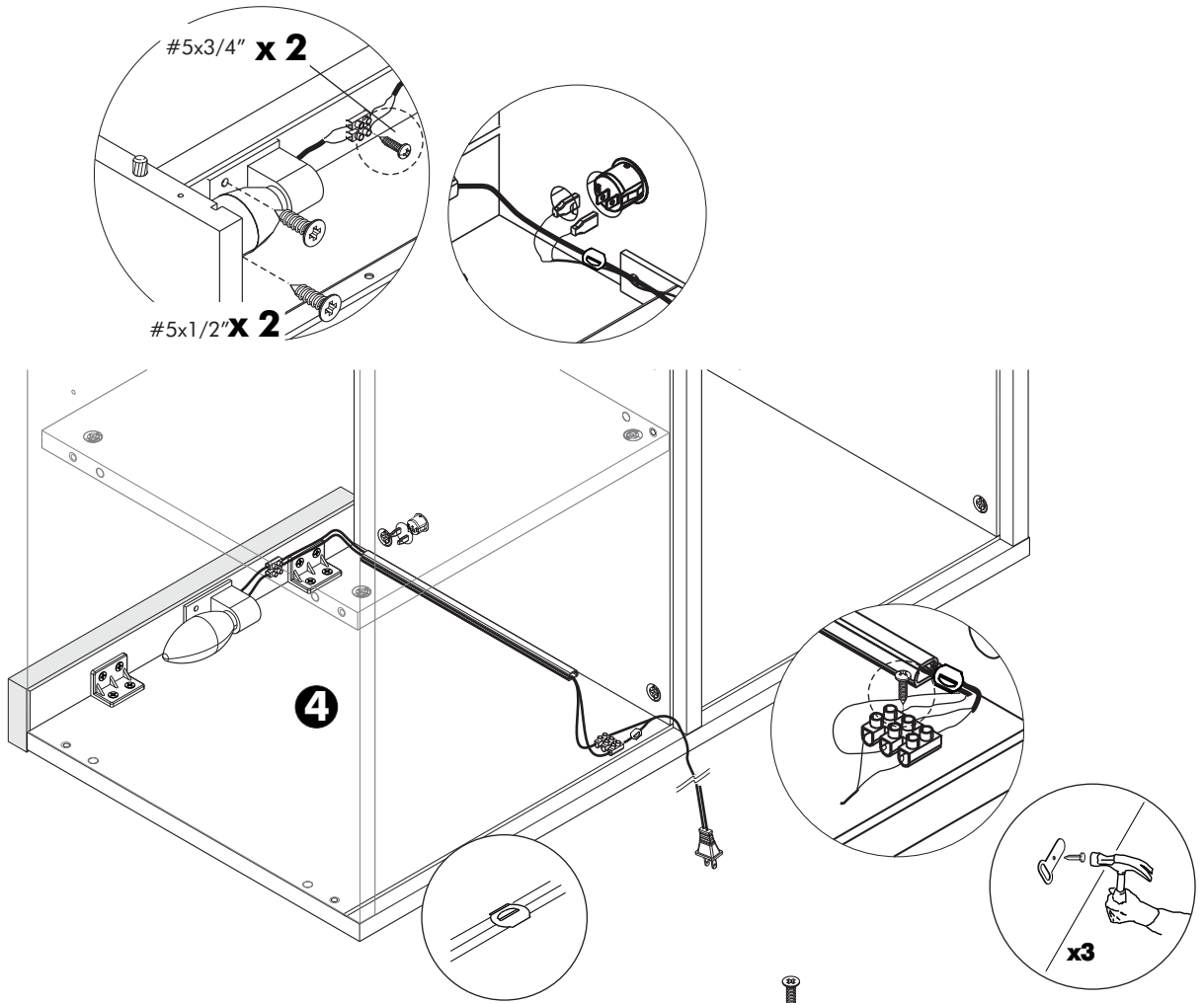
## 1.



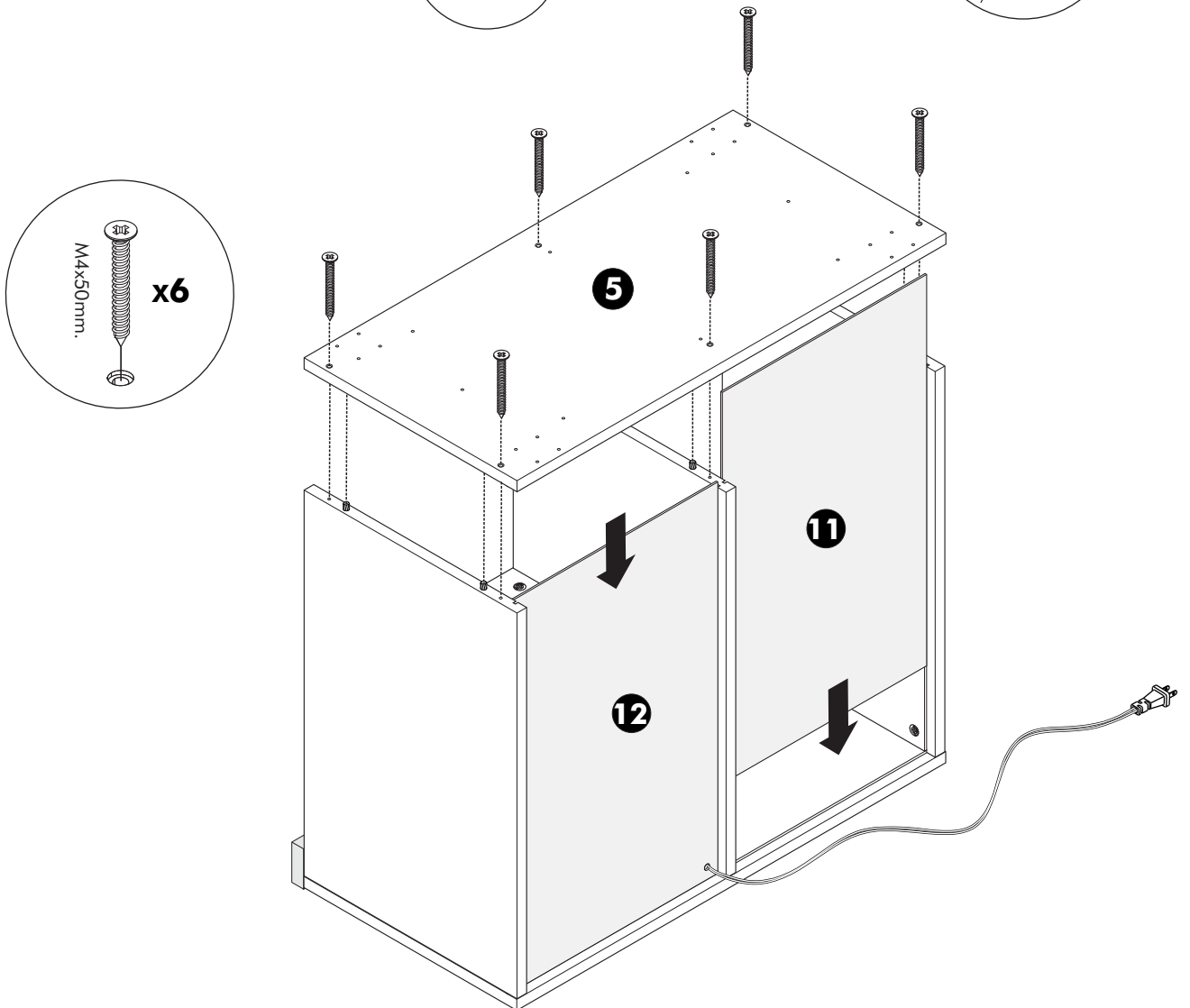
## 2.



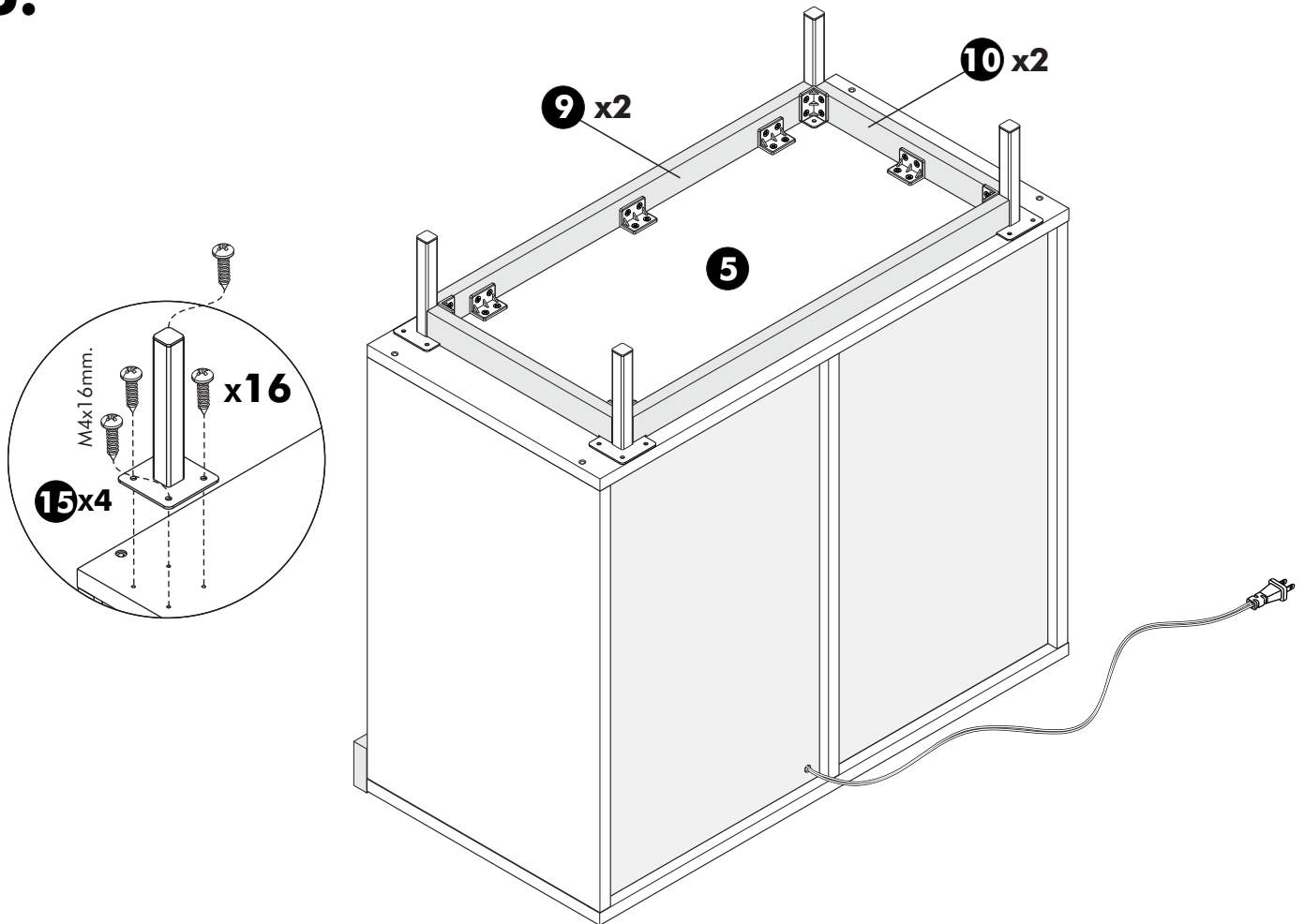
**3.**



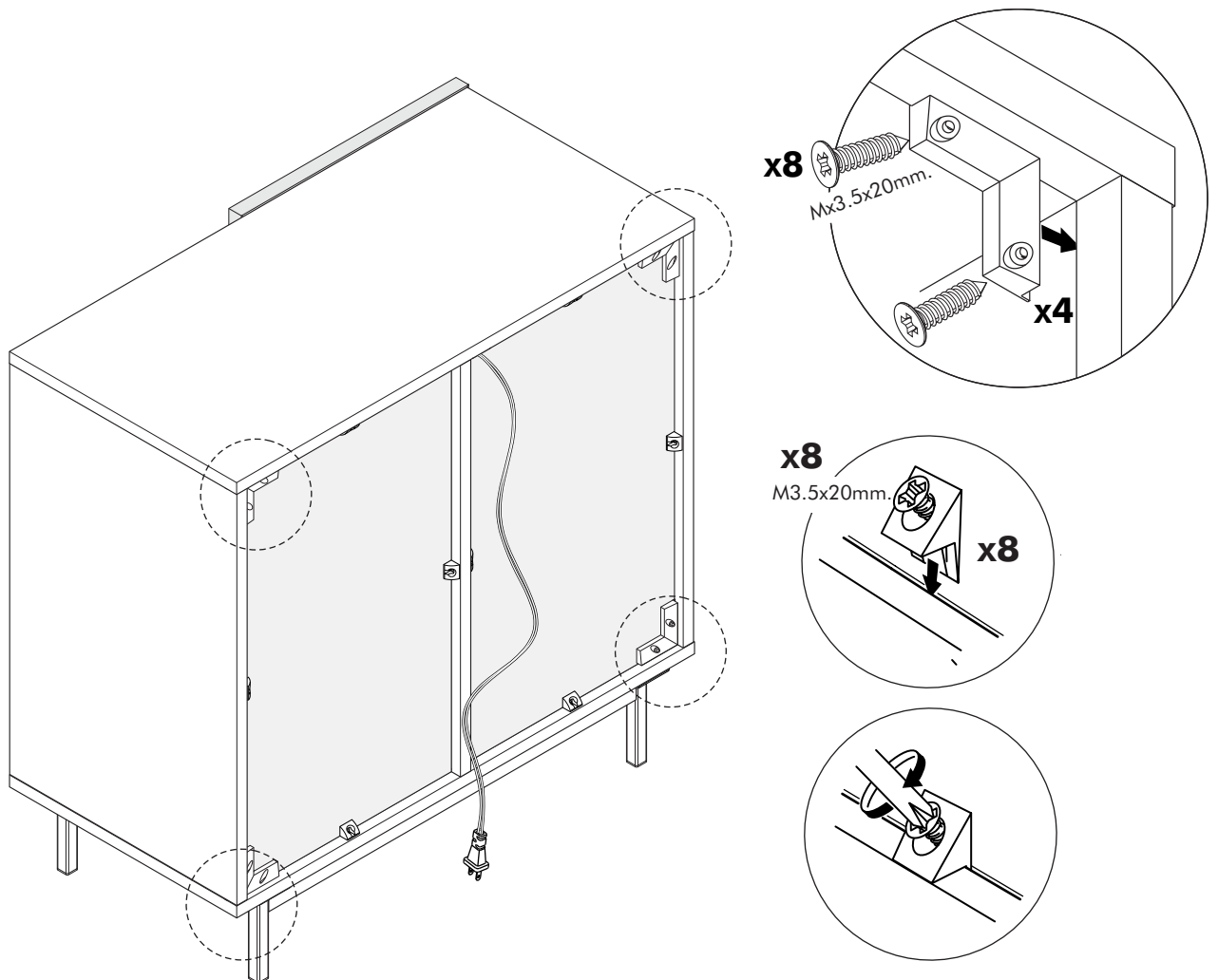
**4.**



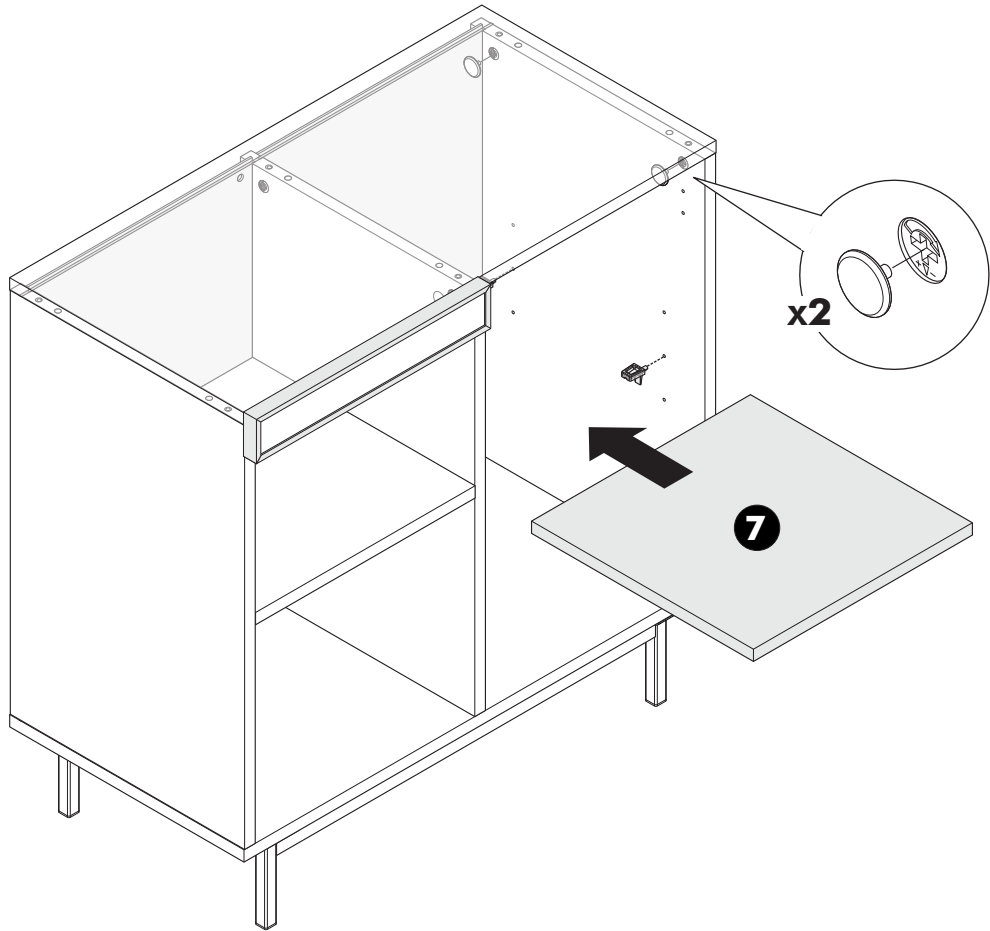
**5.**



**6.**



**7.**



**ASSEMBLY**

-DOOR SET

