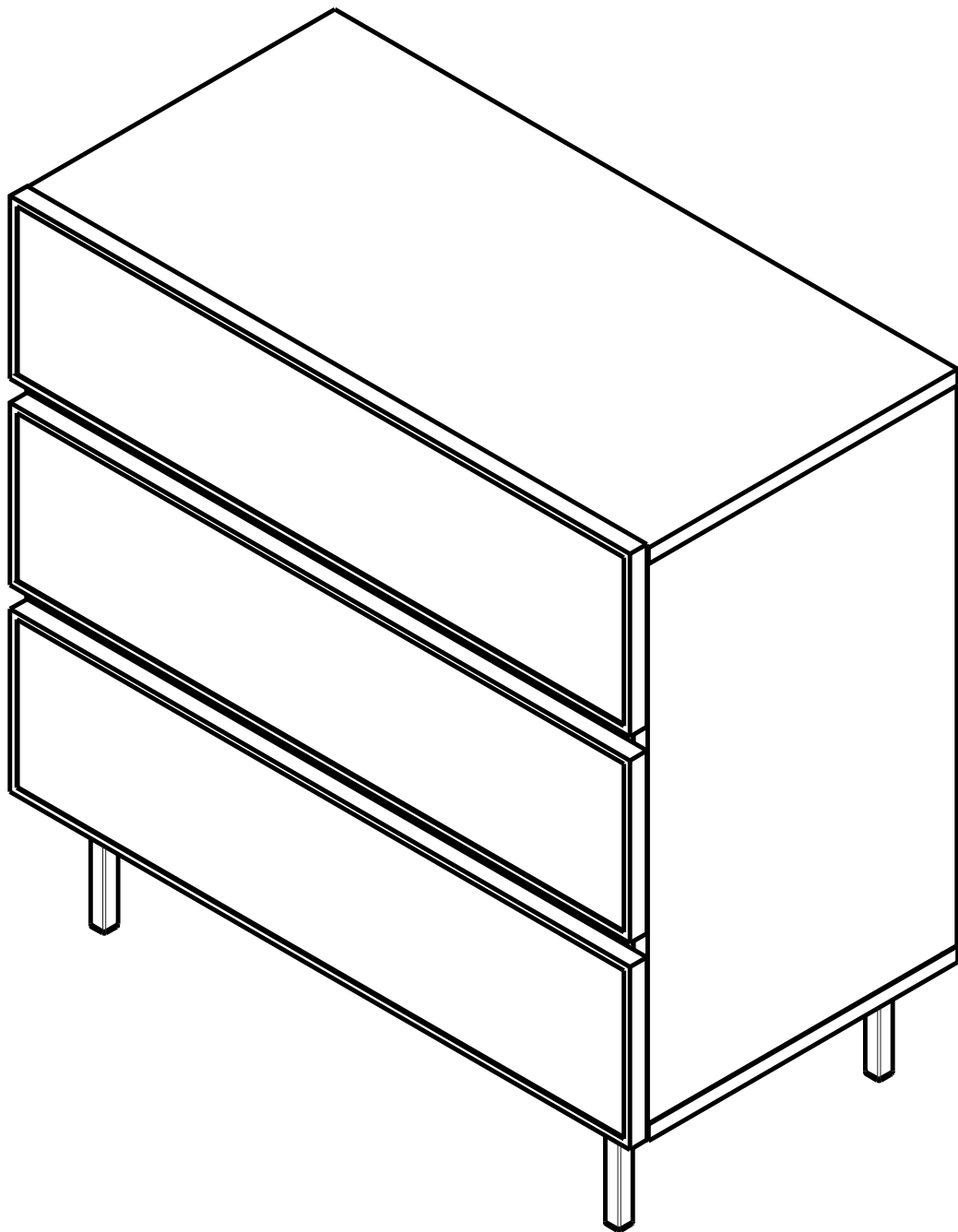
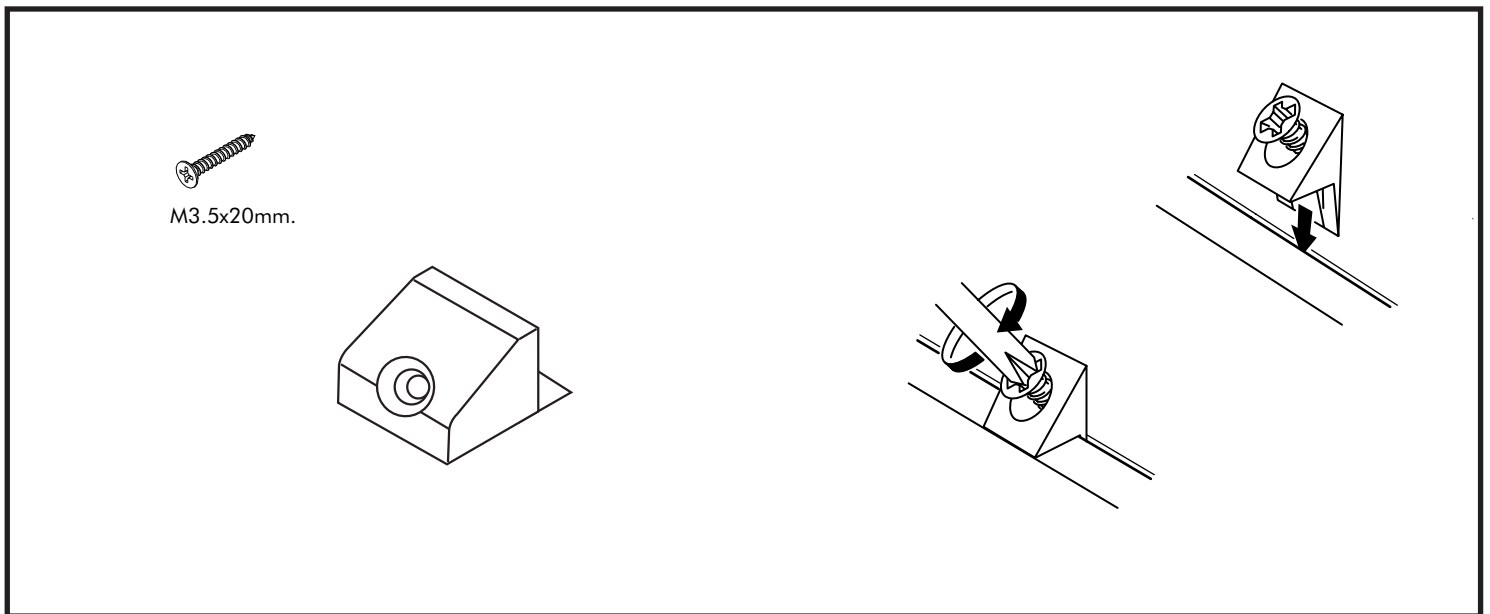
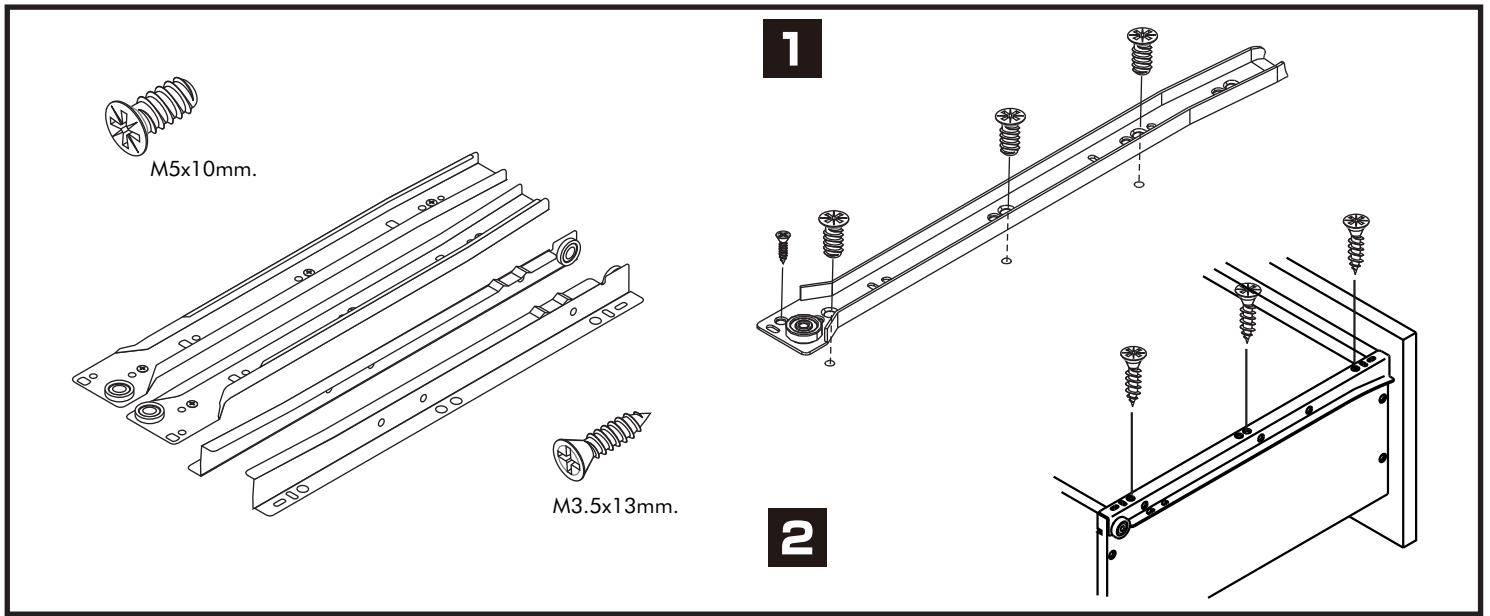
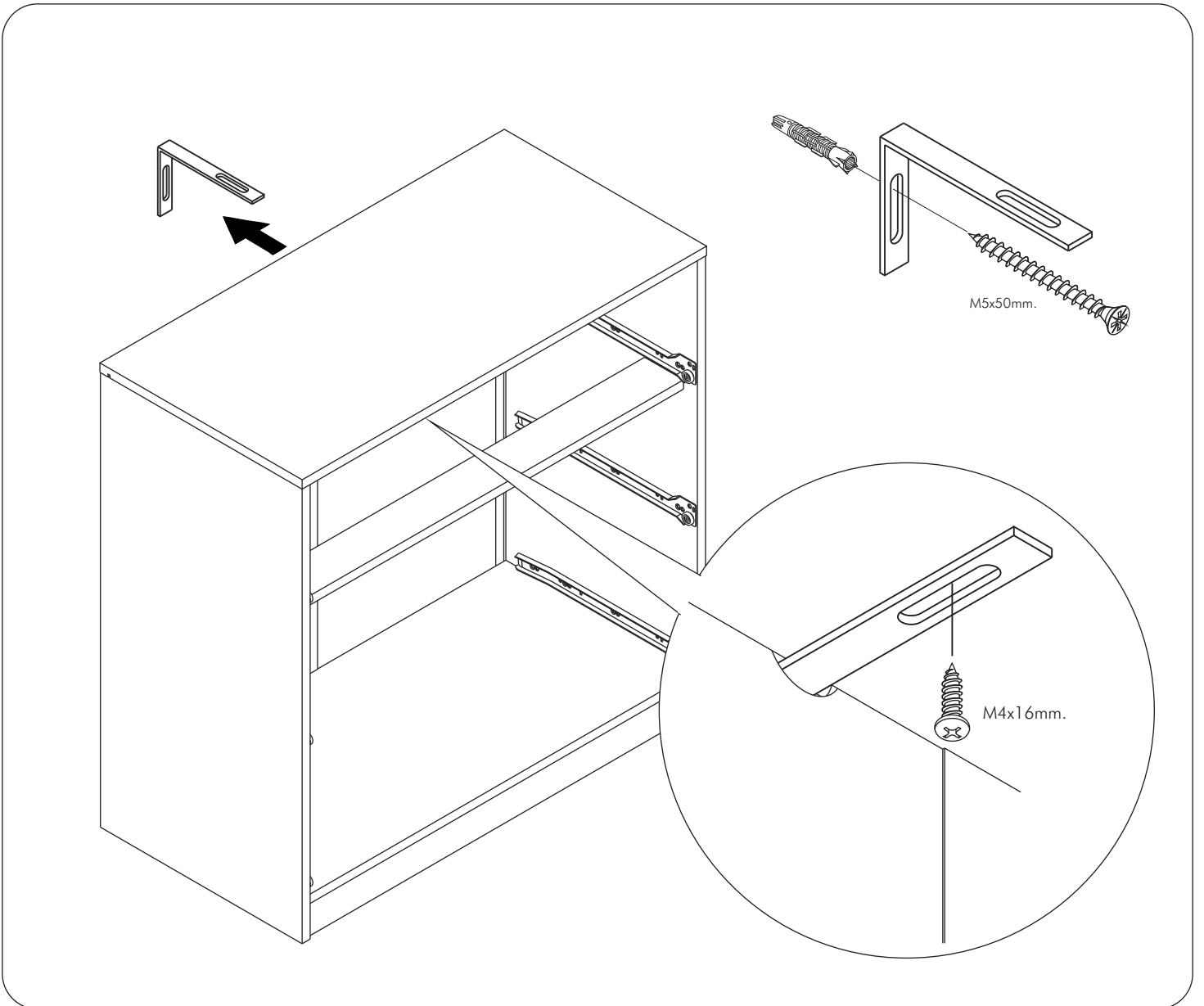
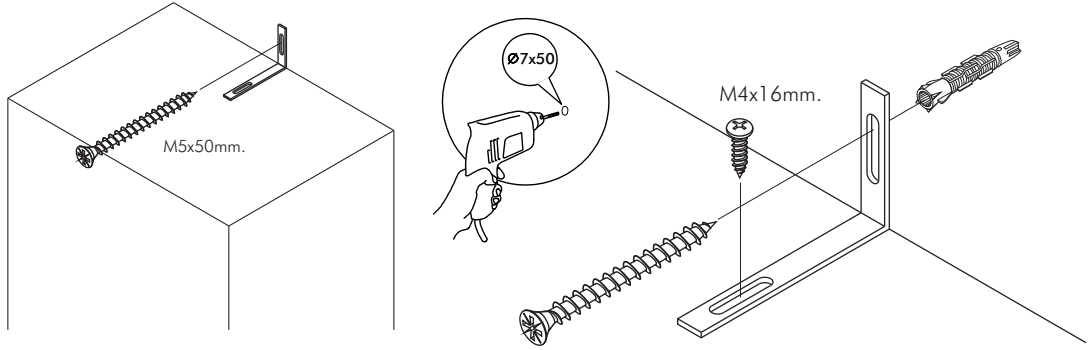
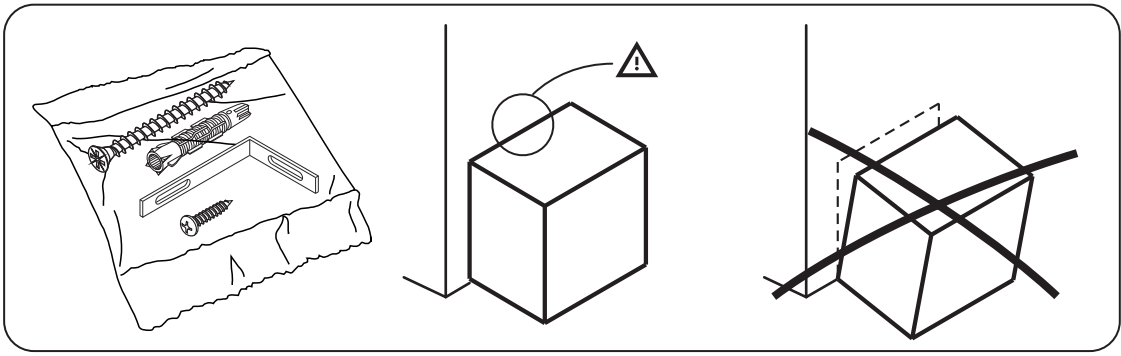


MILAN

Chest 3 drawers 80 cm.

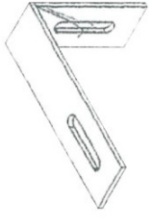




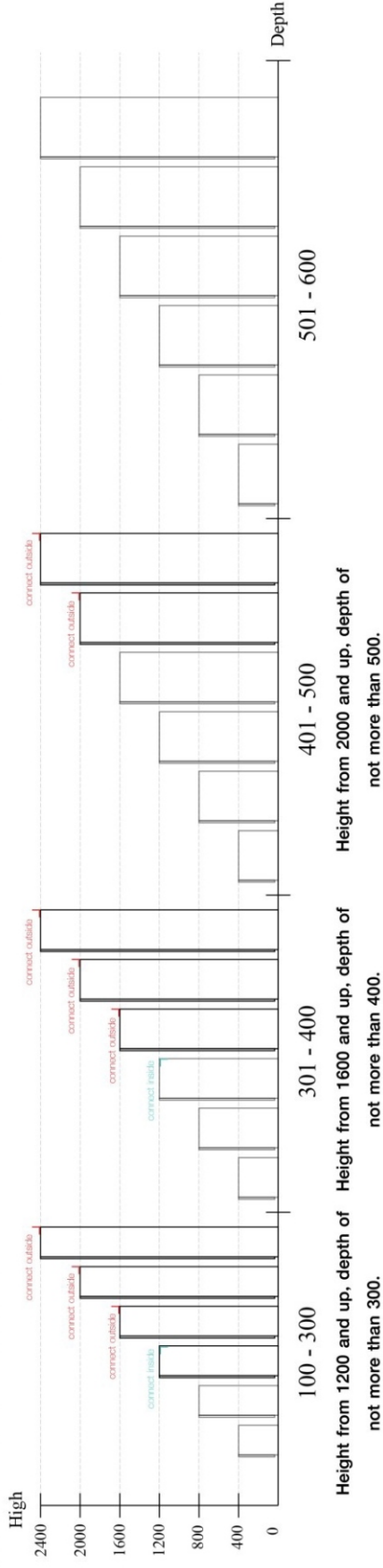


The Standard for identifying which mounted safety fall protection fitting to use **Note : That children's products must be installed with all anti-falling fittings.**

■ Mounted fall protection fittings



■ Category : Cabinet with open doors



■ Category : Chest of drawers

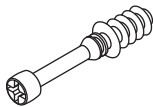


■ Category : Sliding door cabinet / Open cabinet



HARDWARE

-BODY SET

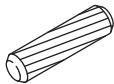


x 4



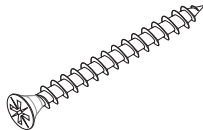
#19mm.

x 4



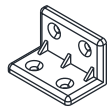
#8x35

x 16



#F+M4x50

x 4

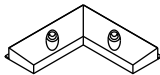


x 16



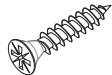
#F+M4x16

x 64



#63x63mm.

x 4



#F+M3.5x20

x 14

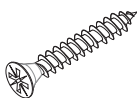


x 6



#P+M4x16

x 21



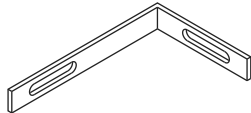
#F+M4x30

x 3



#F+M4x40

x 6

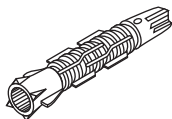


x 1

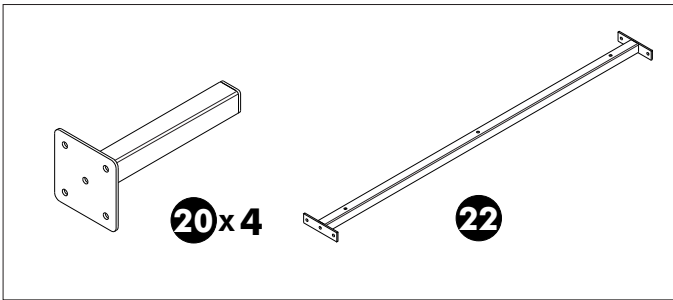


M5x50mm.

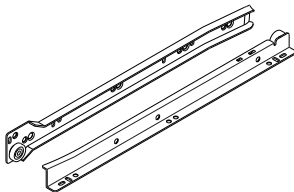
x 1



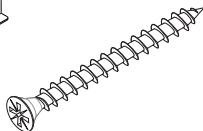
x 1



-DRAWER SET

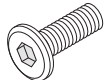


x 3



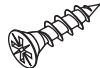
#F+M4x40

x 36



#TFL4 M6x23

x 18



#F+M3.5x13

x 24



#M5x10

x 18

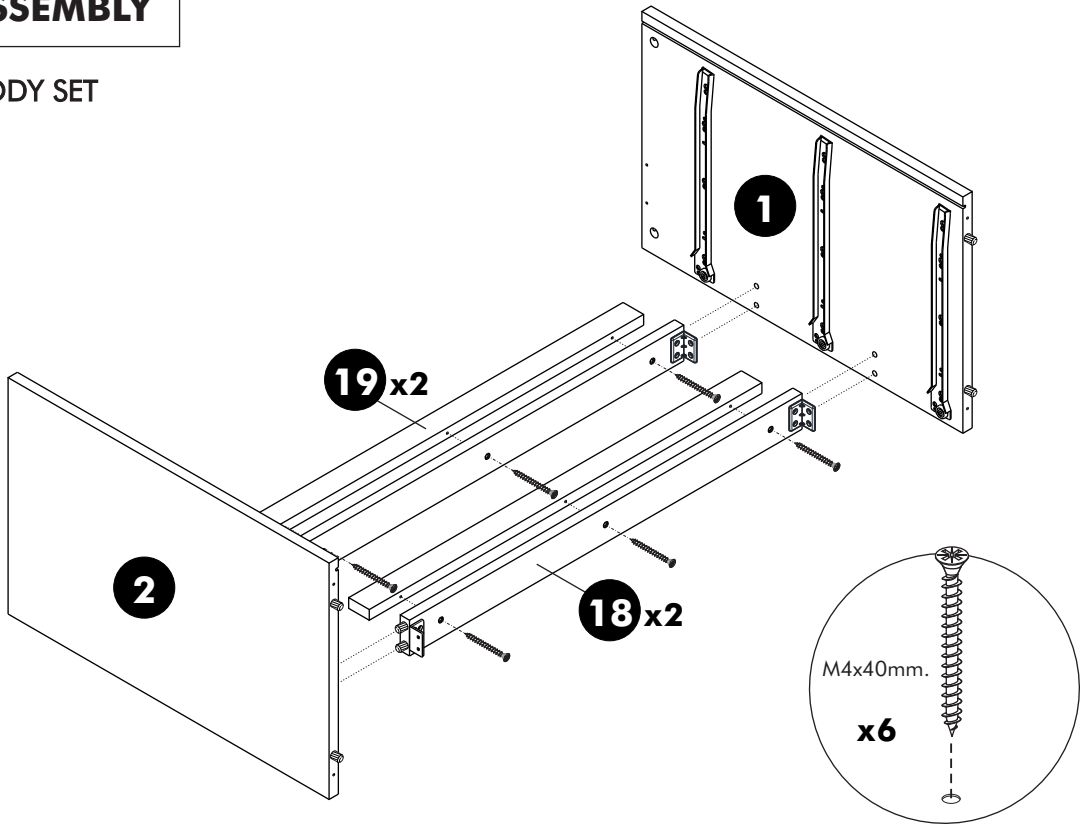


x 1

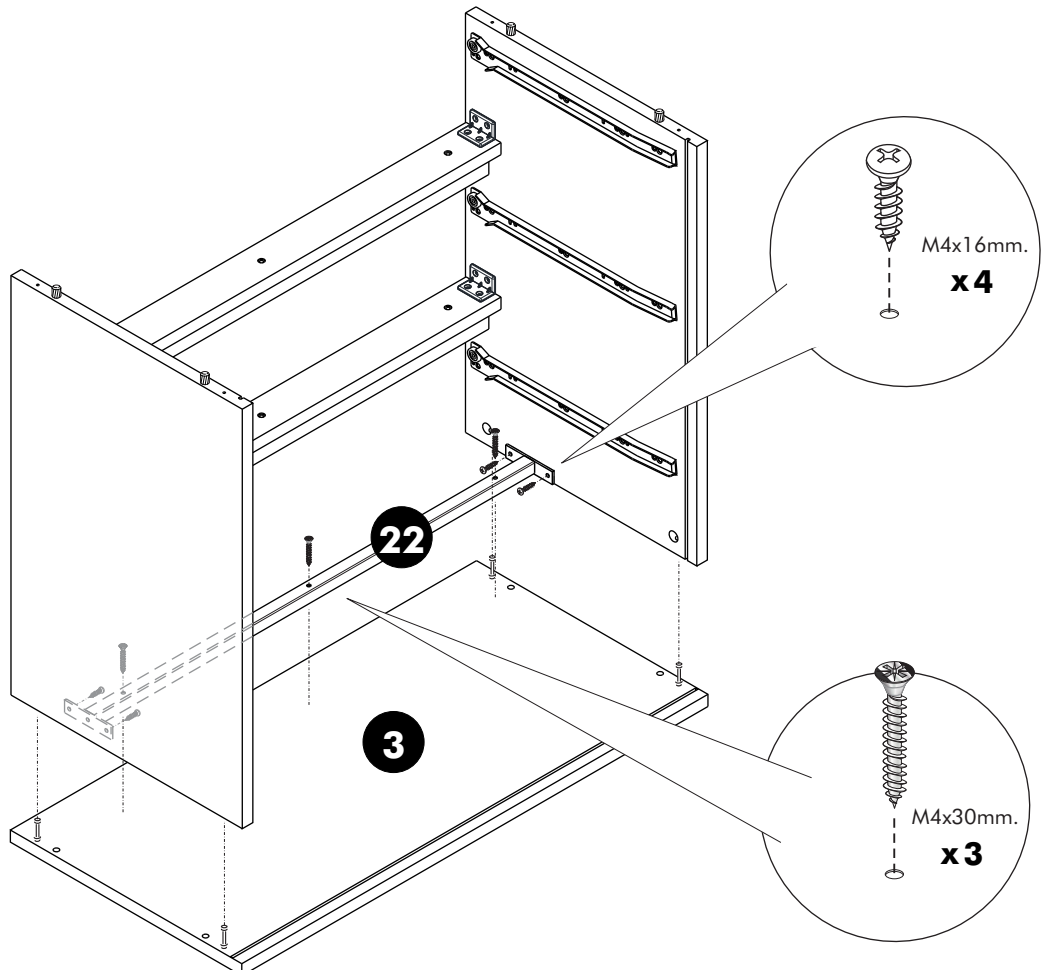
1.

ASSEMBLY

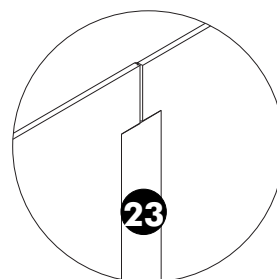
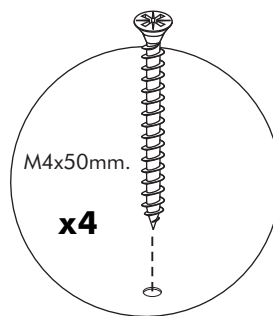
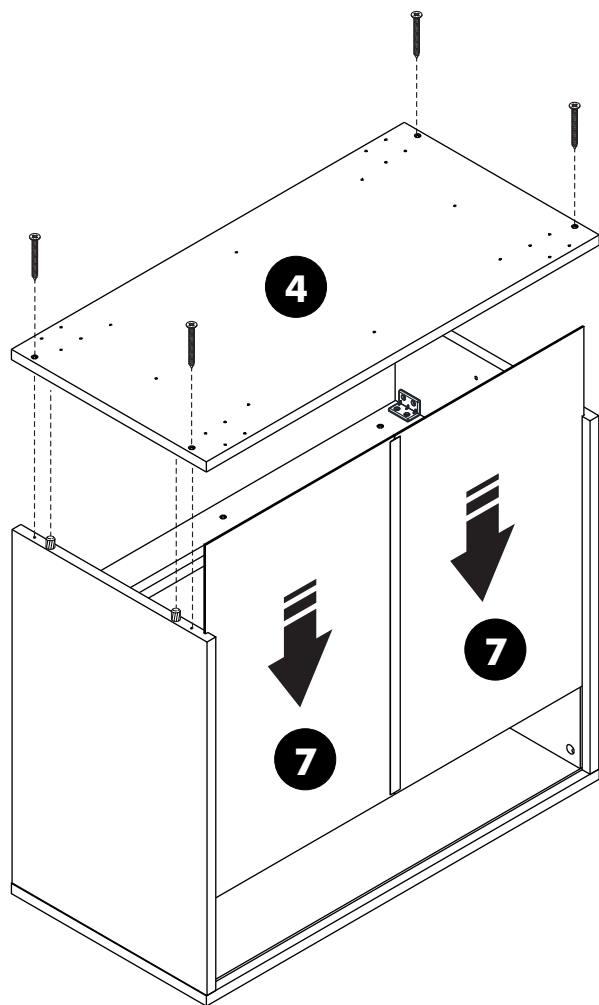
-BODY SET



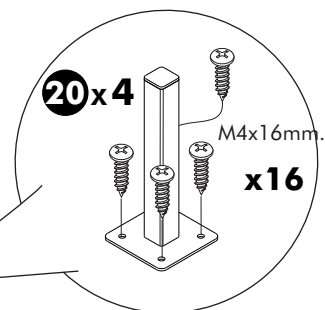
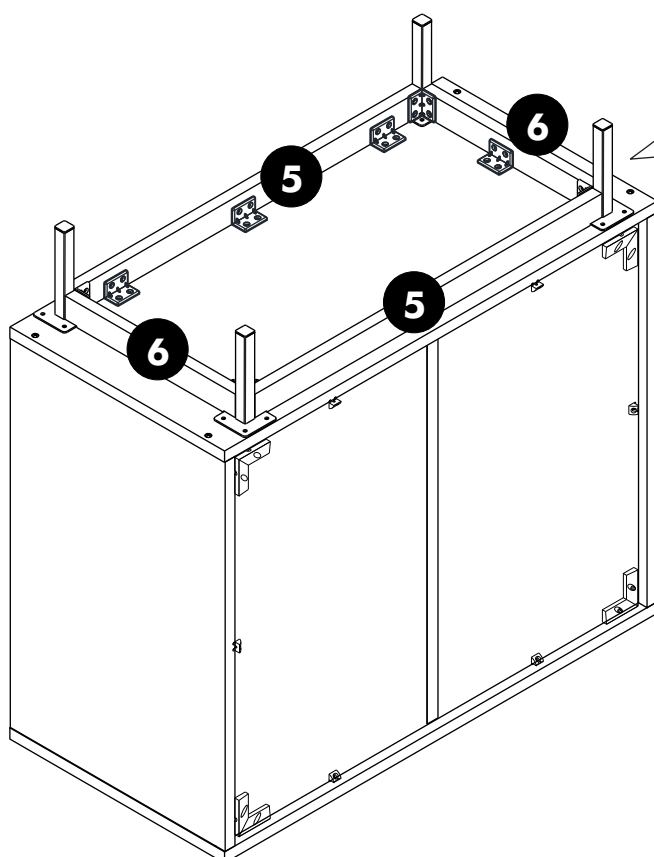
2.



3.



4.



ASSEMBLY

-DRAWER SET

