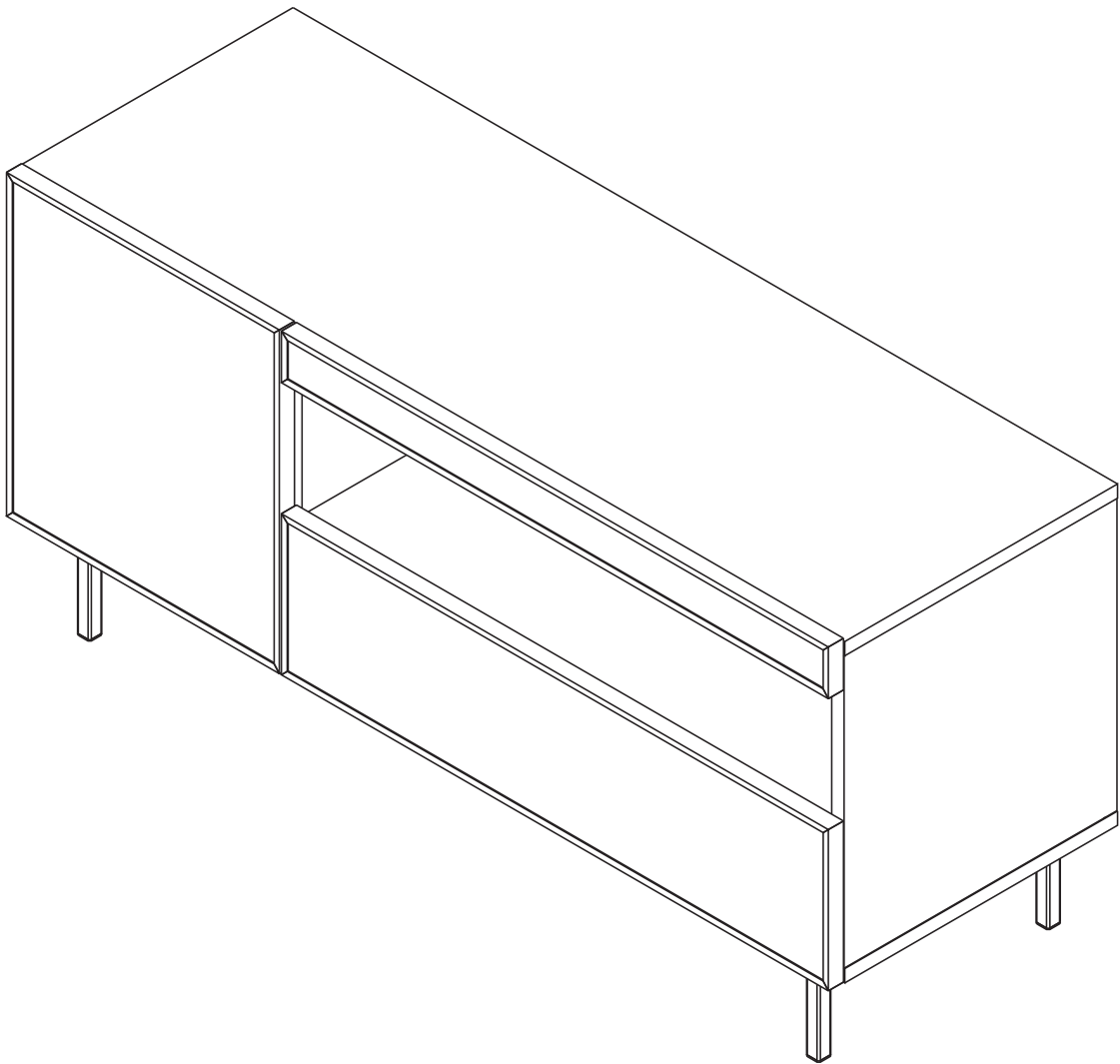
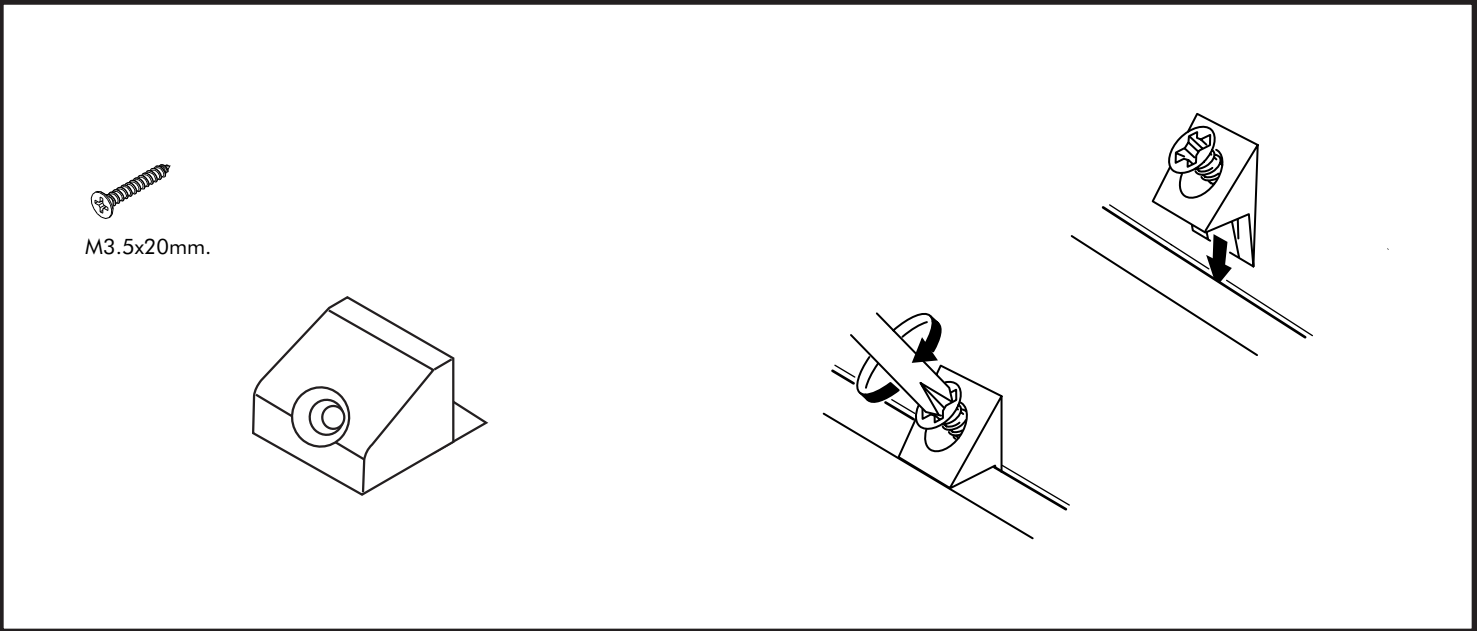
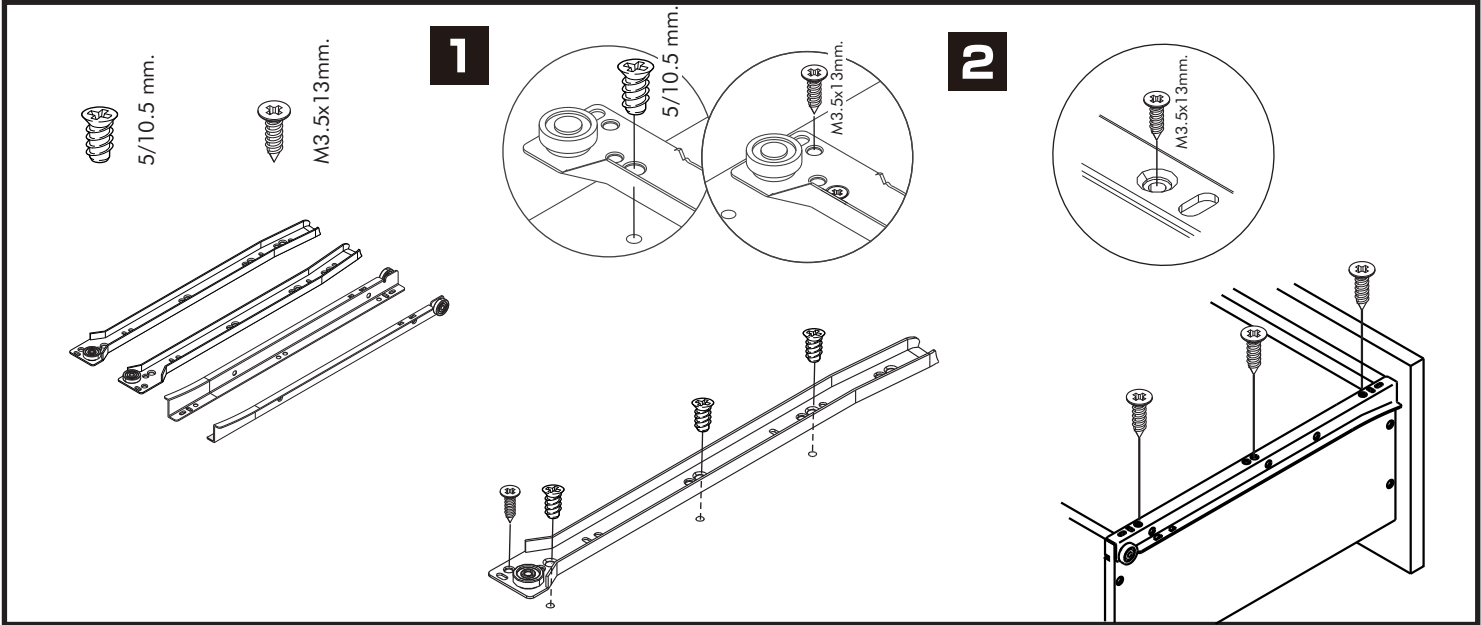
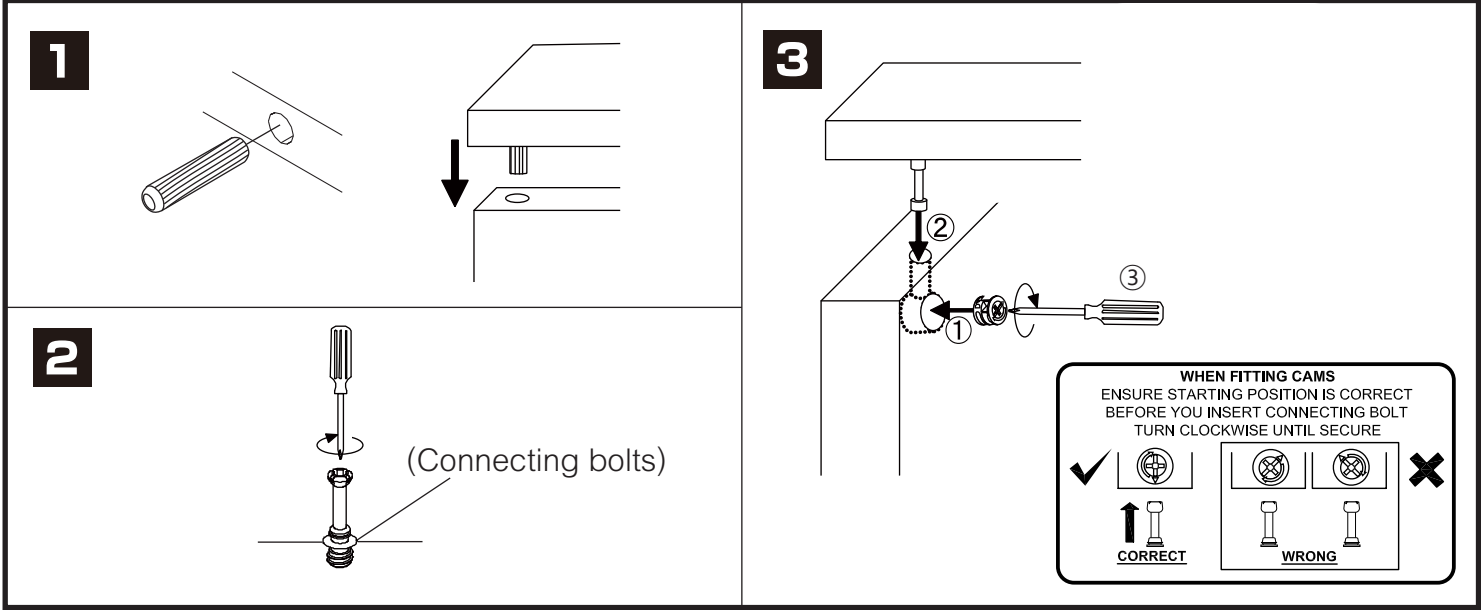


MILAN

TV stand 120 cm.

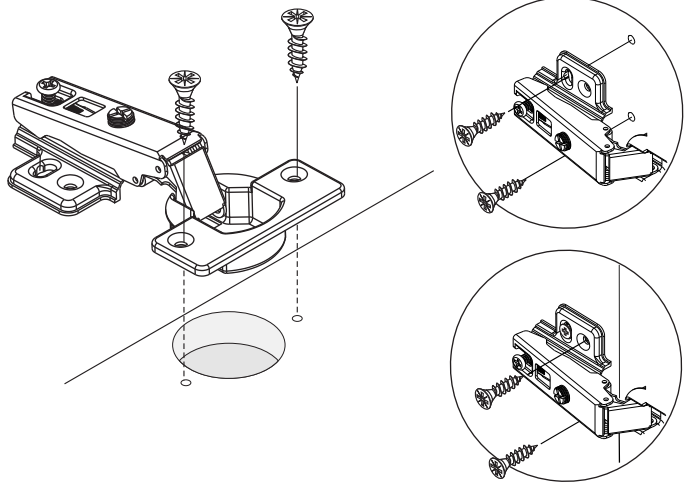
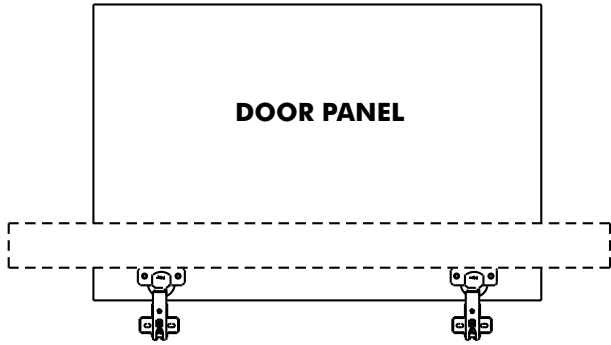


CONNECT SYSTEM

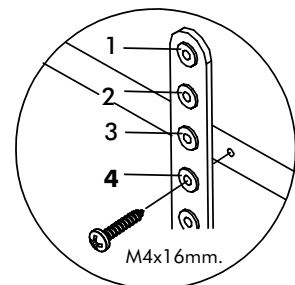
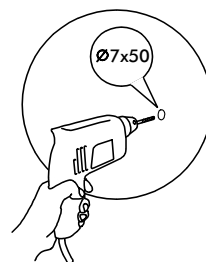
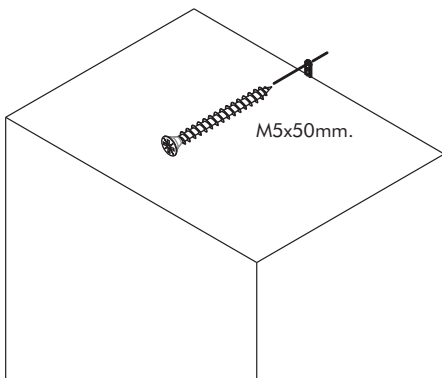
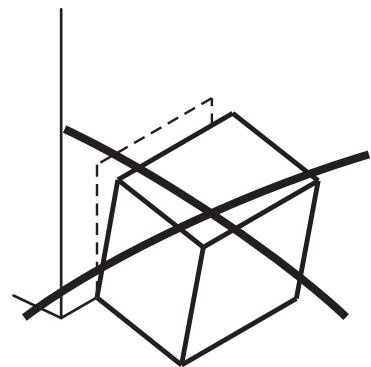
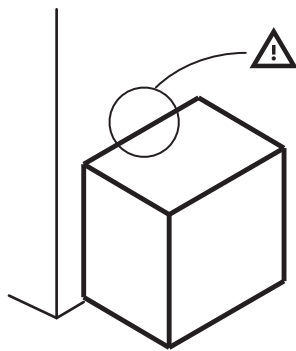
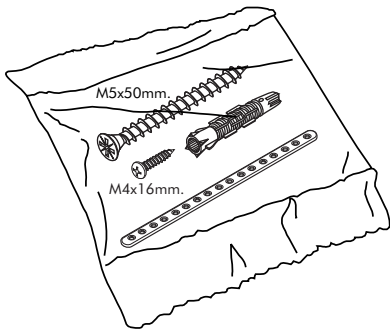
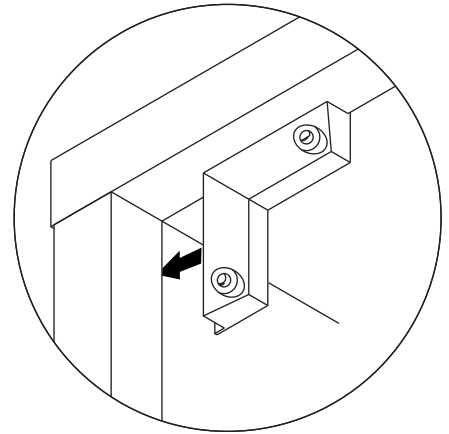
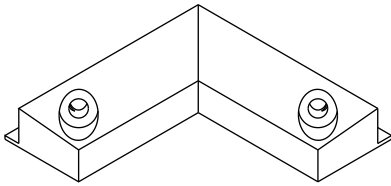




M4x16mm.

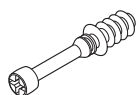


M3.5x20mm.



HARDWARE

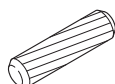
-BODY SET



x 10



x 10



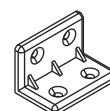
8x35mm.

x 19



M4x50mm.

x 6



x 17

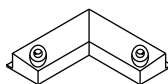


M4x16mm.

x 68



x 1



x 4



M3.5x20mm.

x 12



x 4

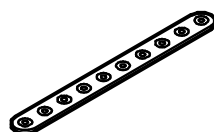


M4x16mm.

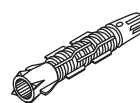
x 25



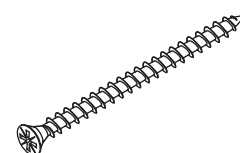
x 2



x 1



x 1



M5x50mm.

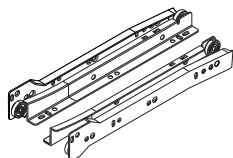
x 1



M4x30mm.

x 3

-DRAWER SET

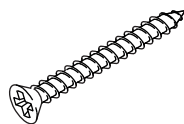


x 1



M3.5x13mm.

x 8



M4x40mm.

x 12



M6x23mm.

x 6



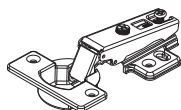
x 1



#GAL5/10.5 mm.

x 6

-DOOR SET



x 2



M4x16mm.

x 12

-LAMP SET



x 3

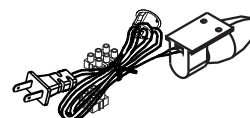


x 3



#5x3/4"

x 2



x 1



#5x1/2"

x 2



x 1



x 1

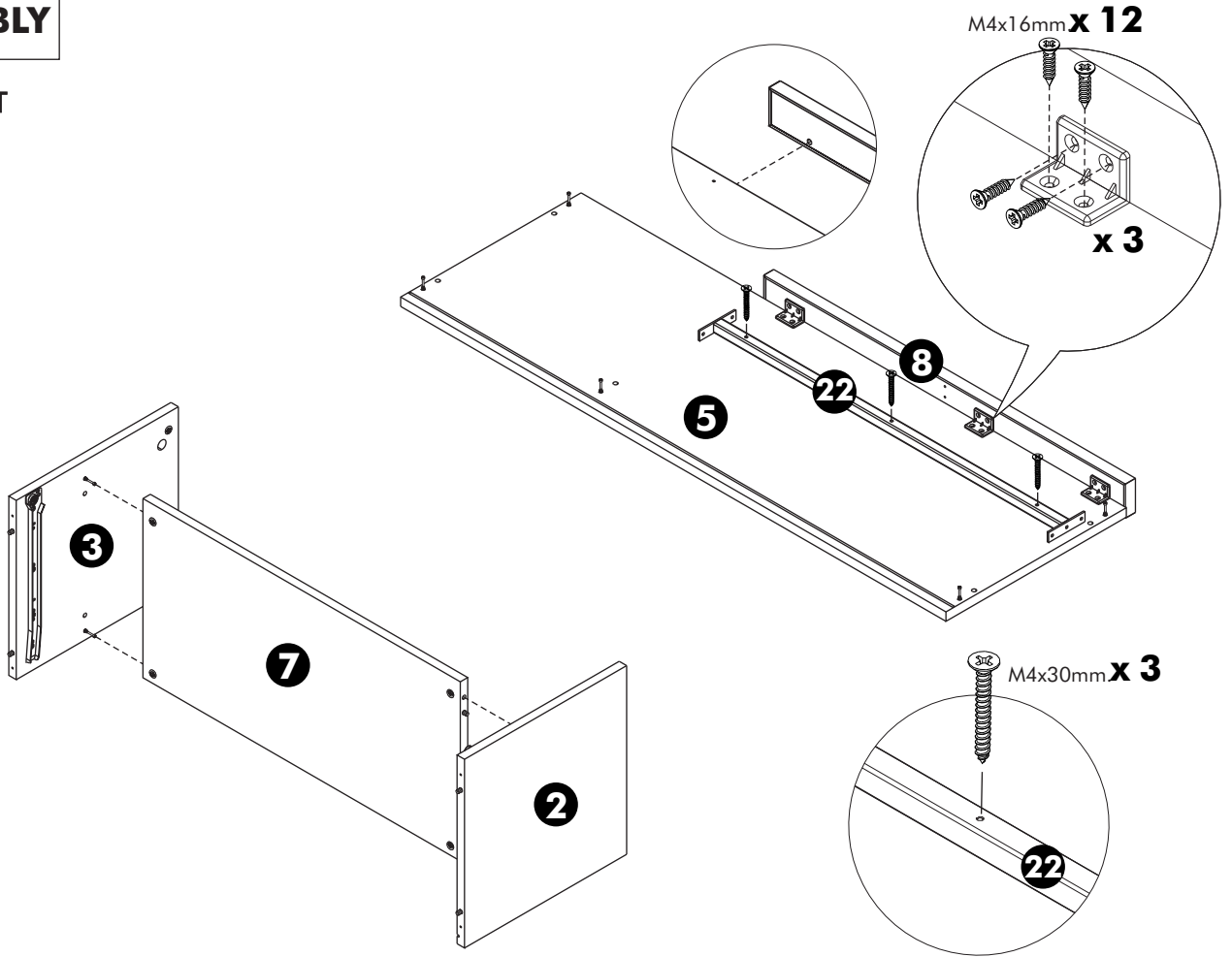


x 1

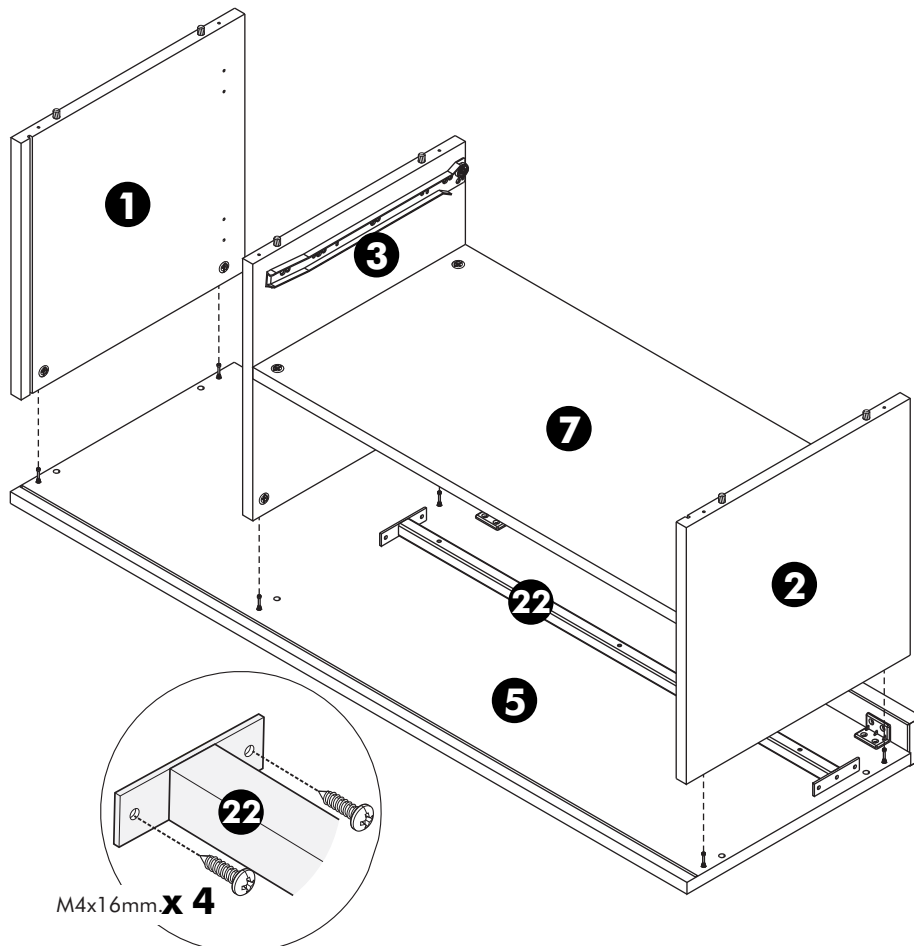
ASSEMBLY

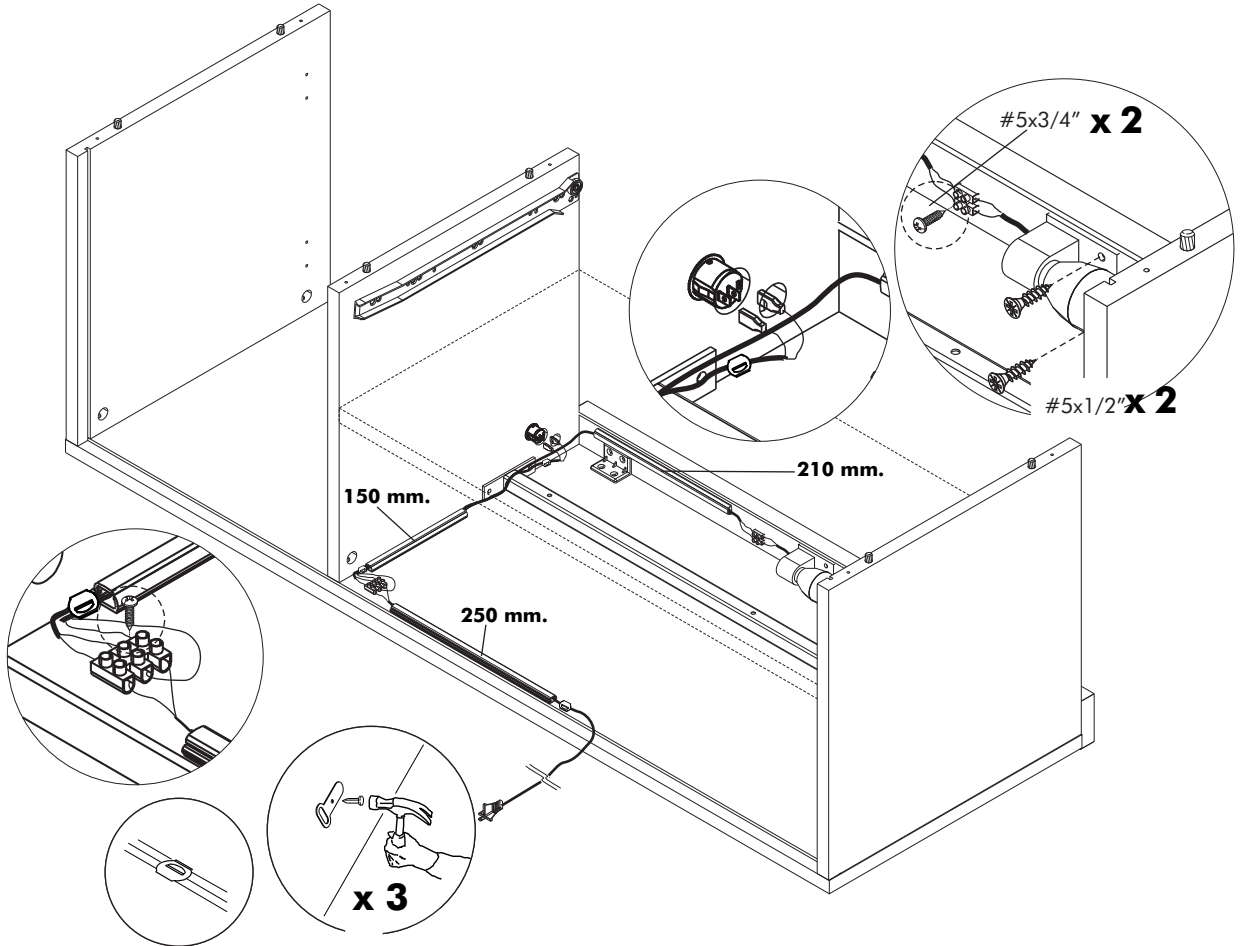
-BODY SET

1.

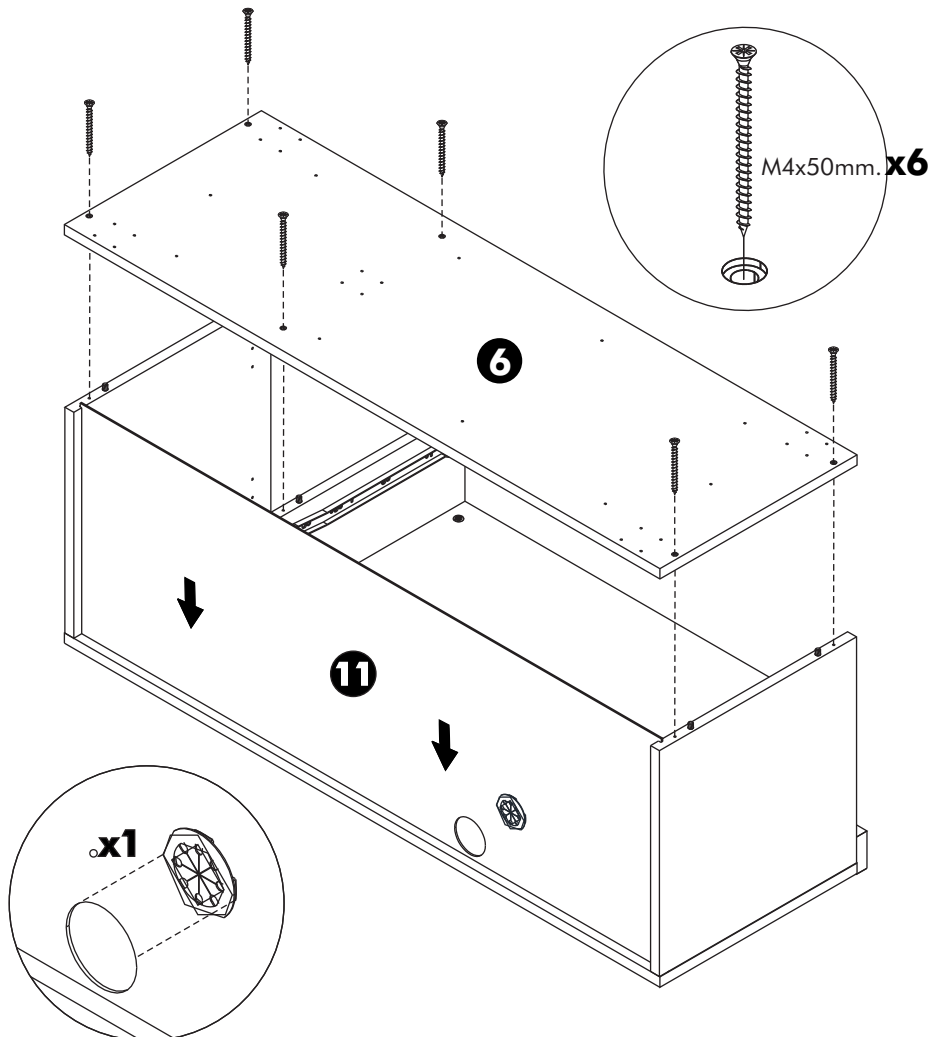


2.

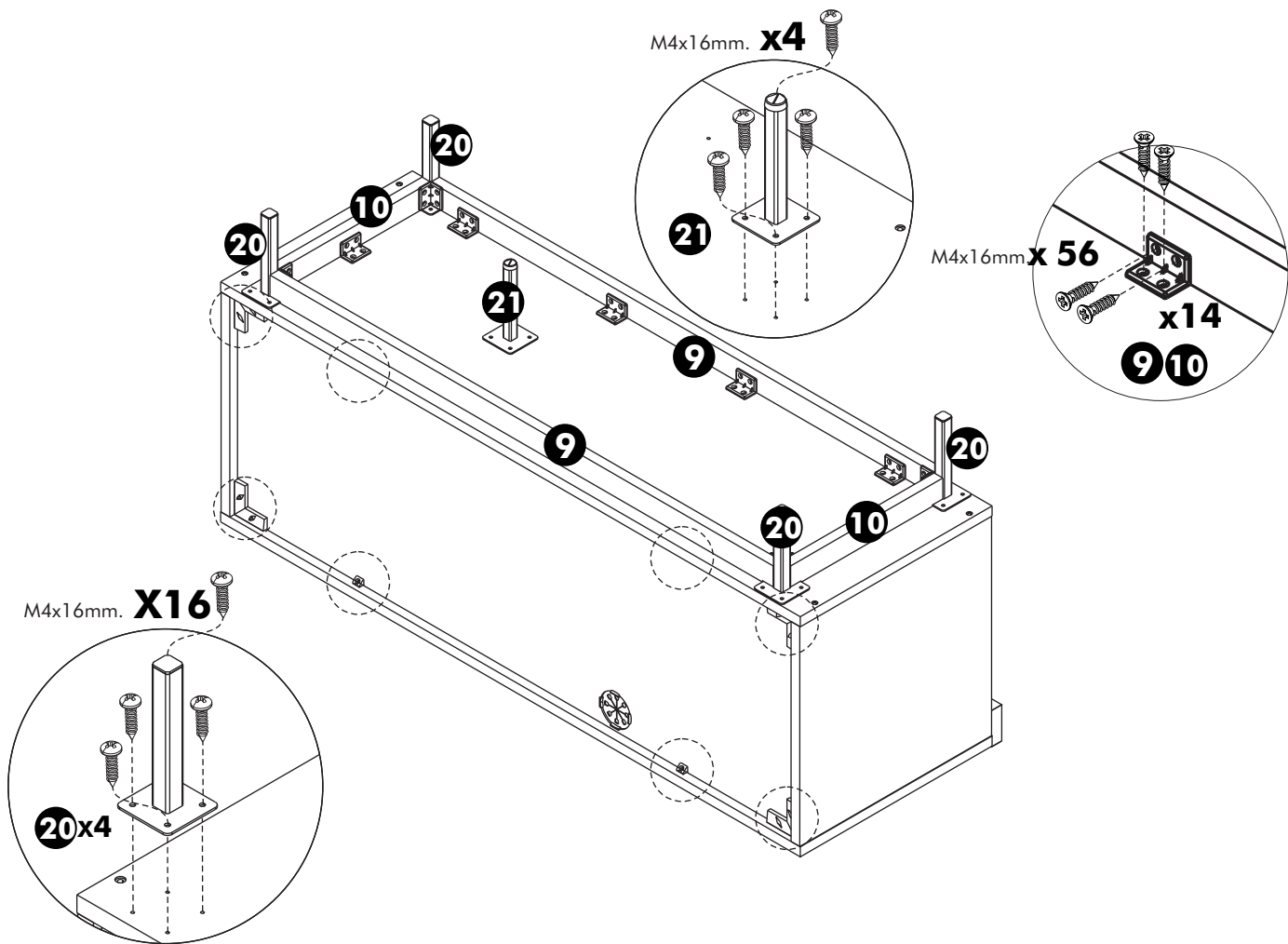




3.

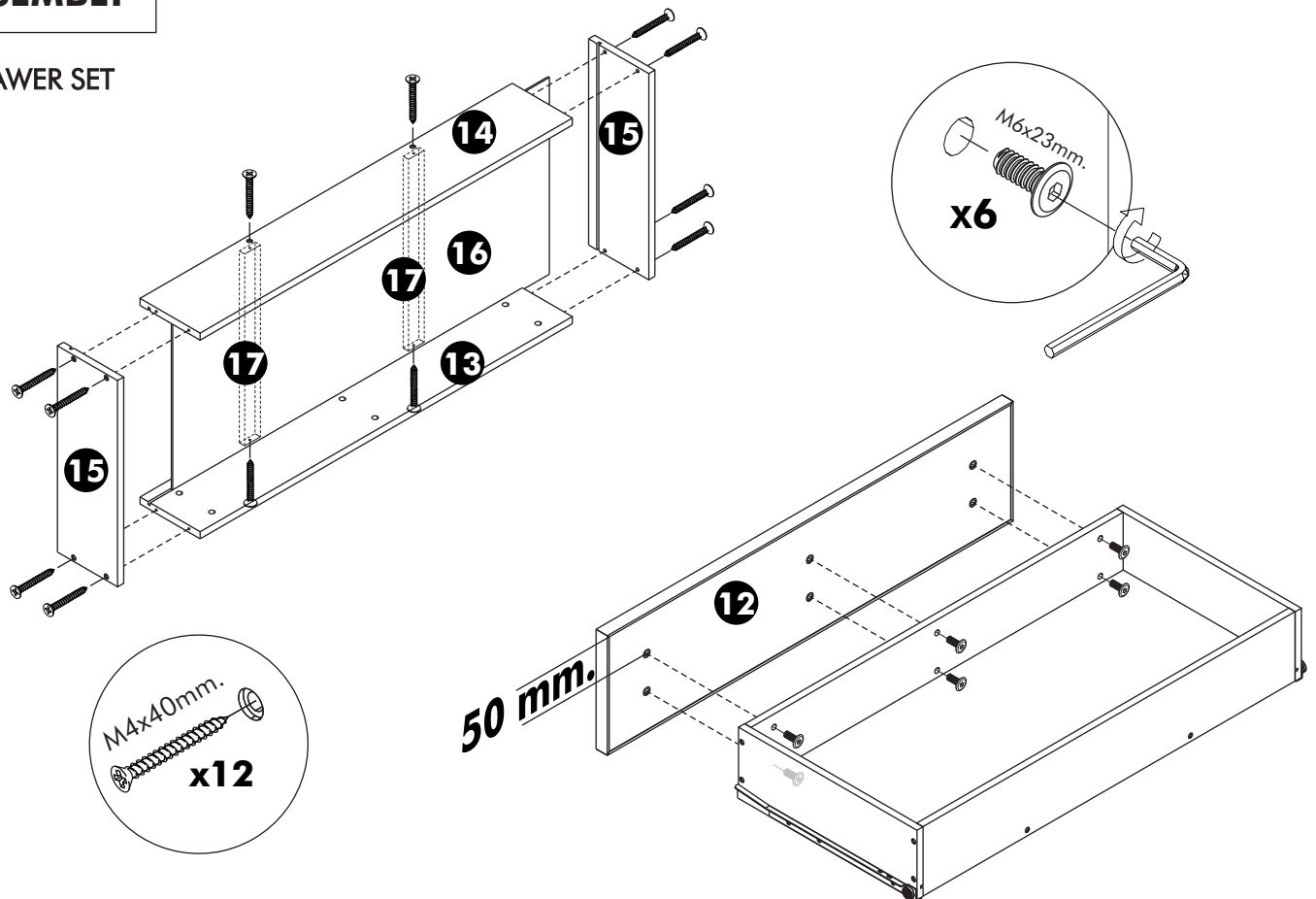


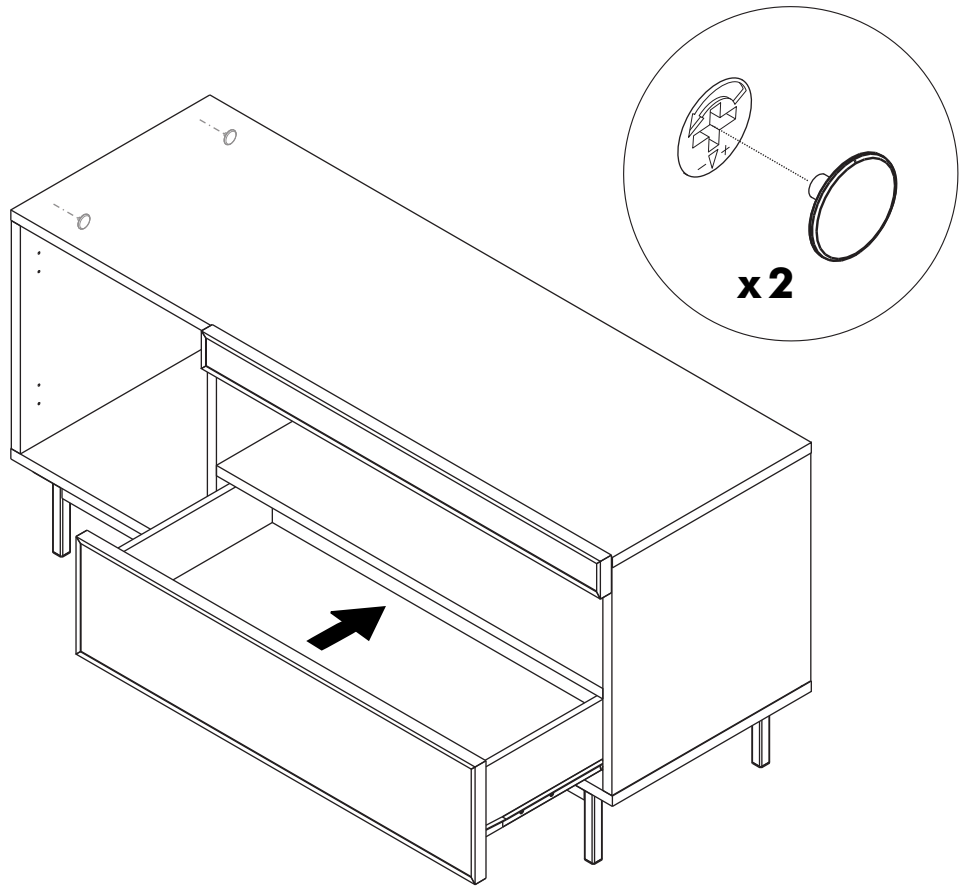
4.



ASSEMBLY

-DRAWER SET





ASSEMBLY

-DOOR SET

