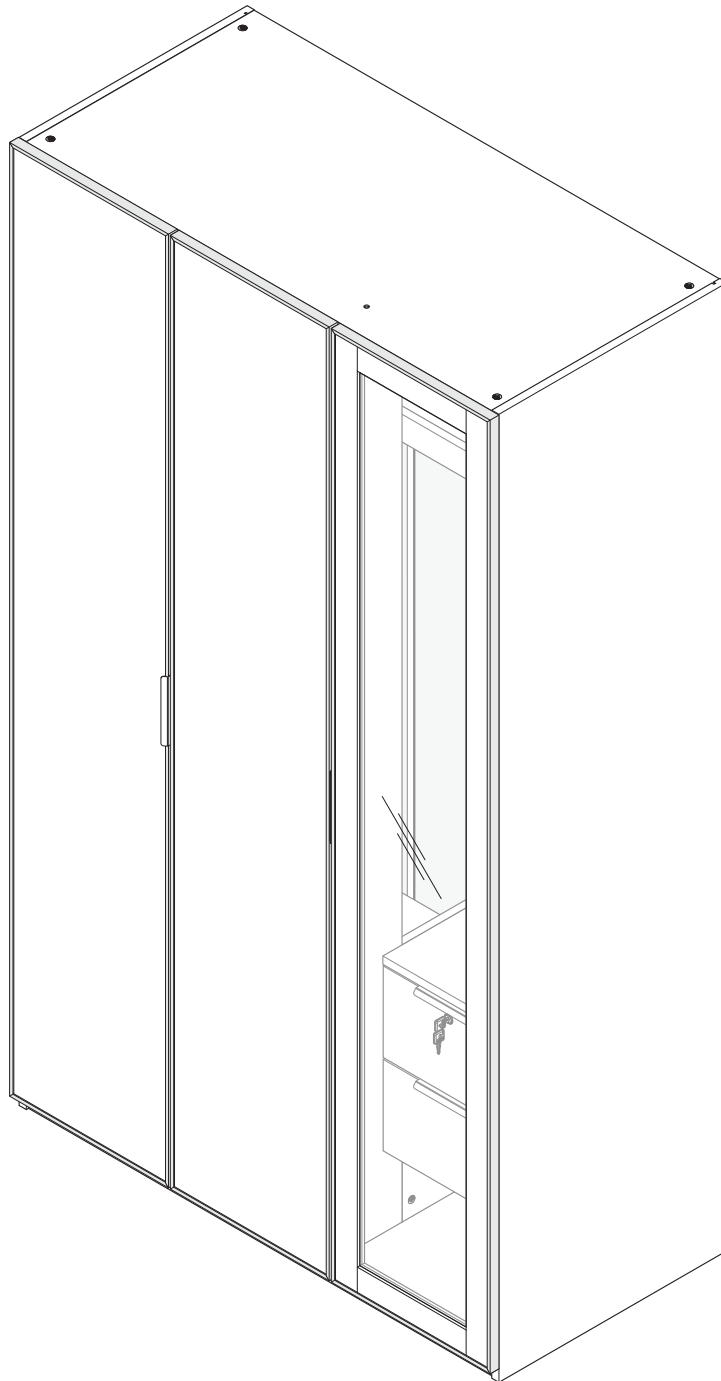


MILAN

Wardrobe 3 dr.



CONNECT SYSTEM

1

3

2

(Connecting bolts)

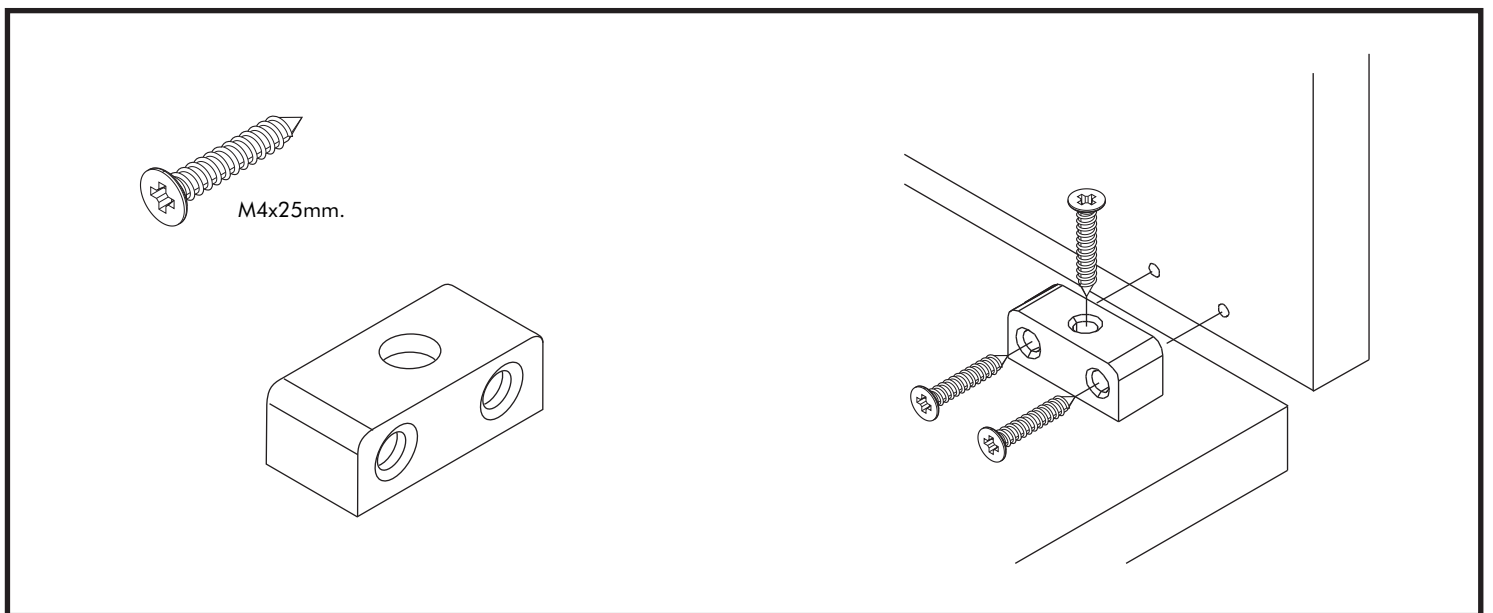
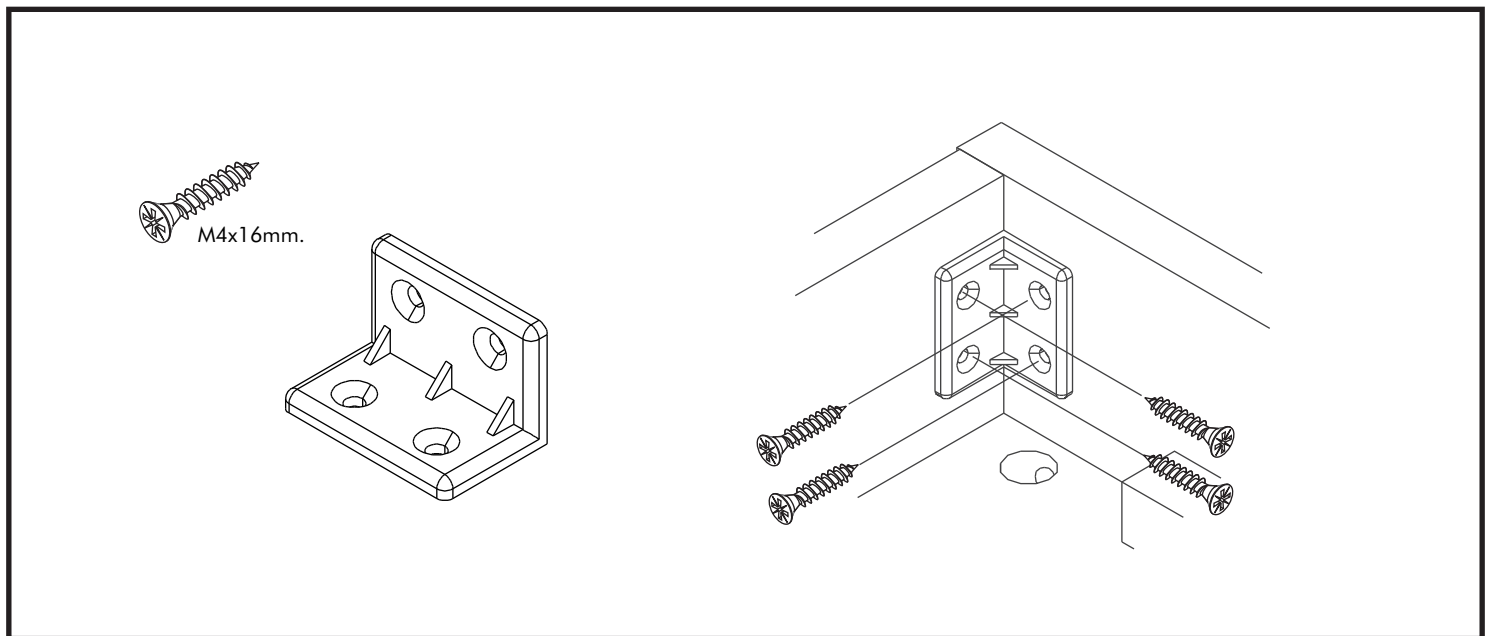
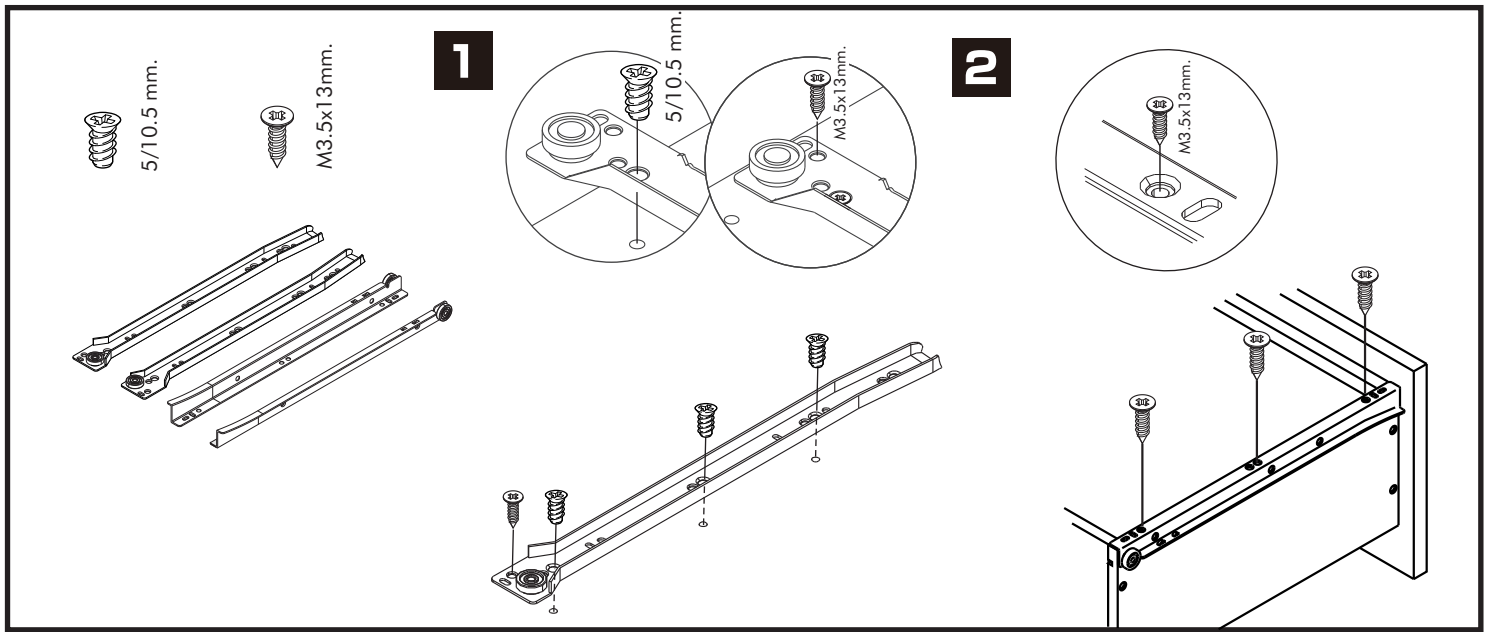
WHEN FITTING CAMS
 ENSURE STARTING POSITION IS CORRECT
 BEFORE YOU INSERT CONNECTING BOLT
 TURN CLOCKWISE UNTIL SECURE

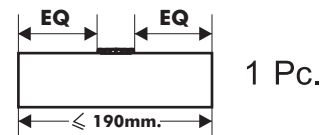
✓				✗
	CORRECT	WRONG		

M4x16mm.

DOOR PANEL

M3.5x20mm.

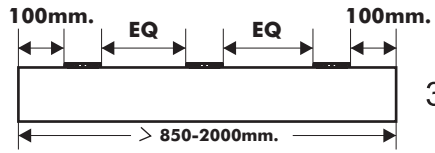




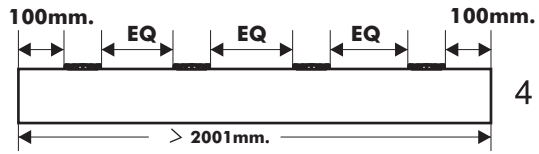
1 Pc.



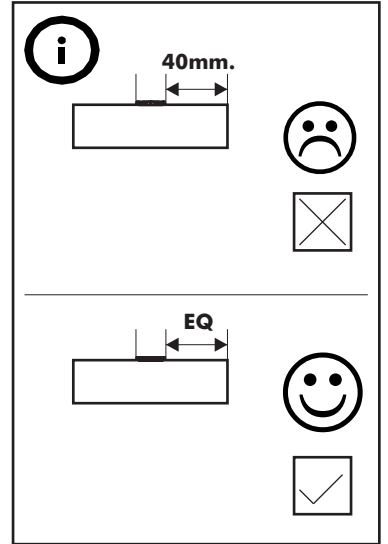
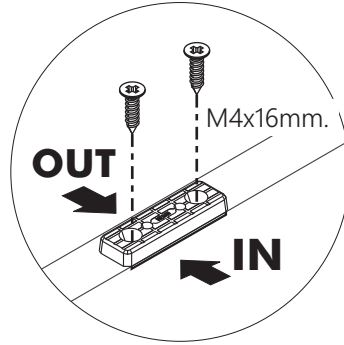
2 Pcs.



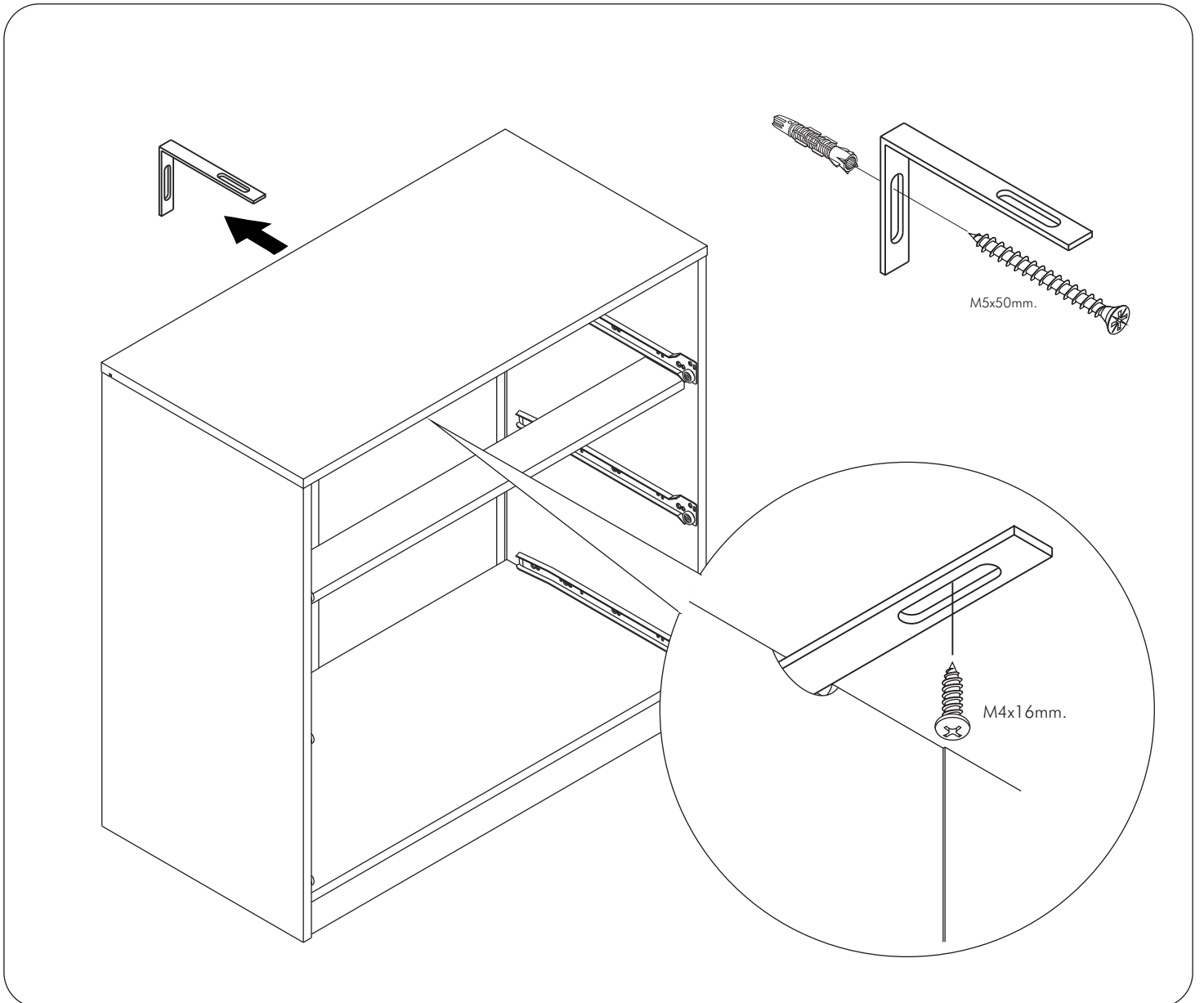
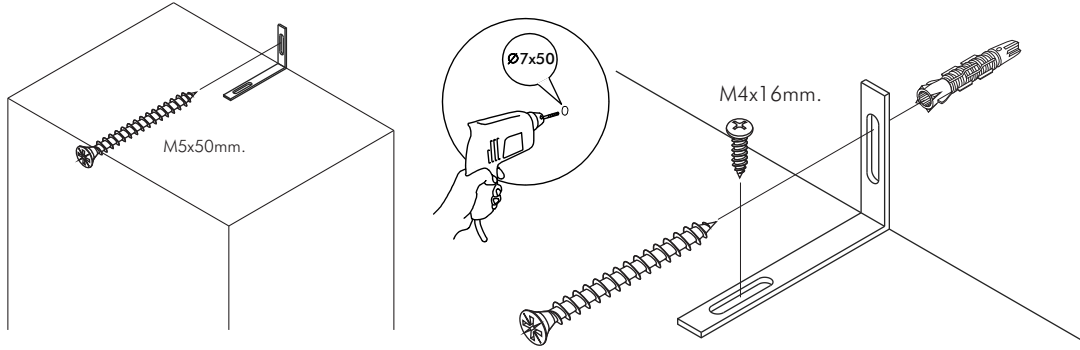
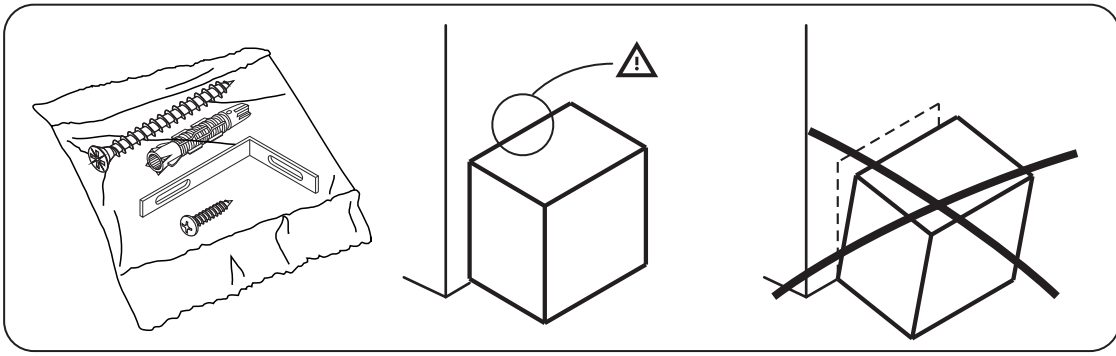
3 Pcs.



4 Pcs.

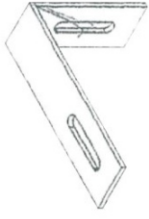


x2

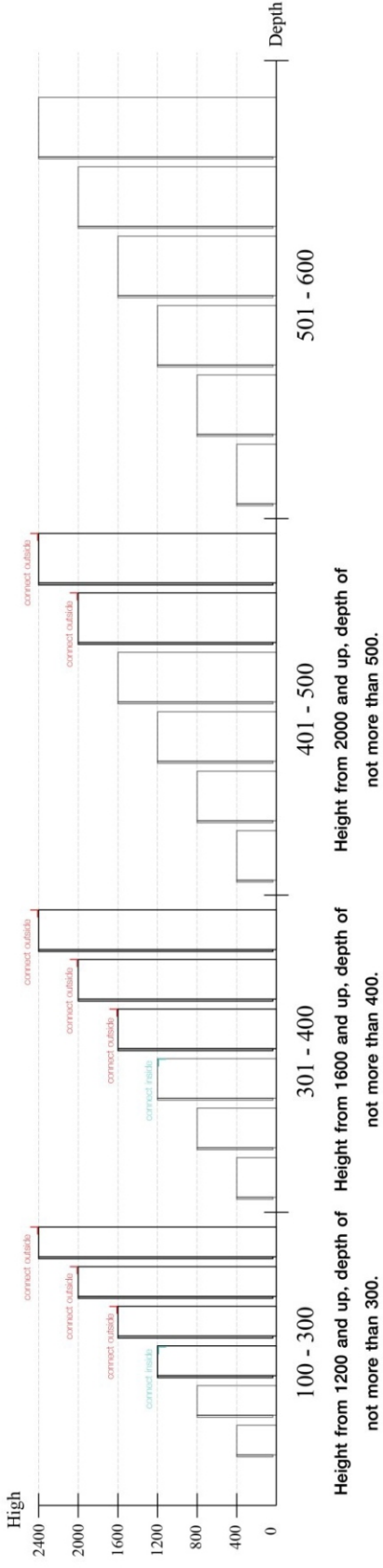


The Standard for identifying which mounted safety fall protection fitting to use **Note : That children's products must be installed with all anti-falling fittings.**

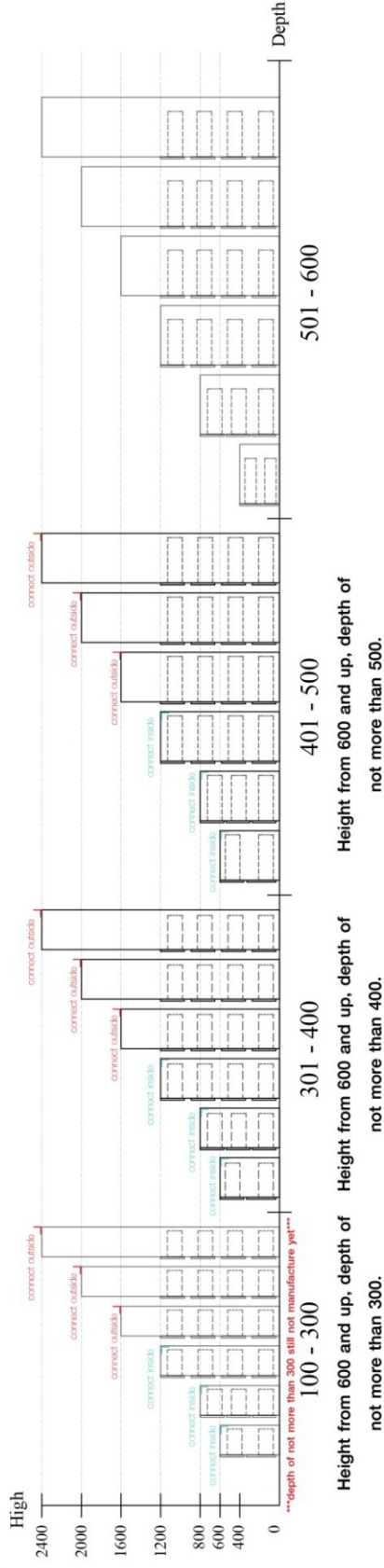
■ Mounted fall protection fittings



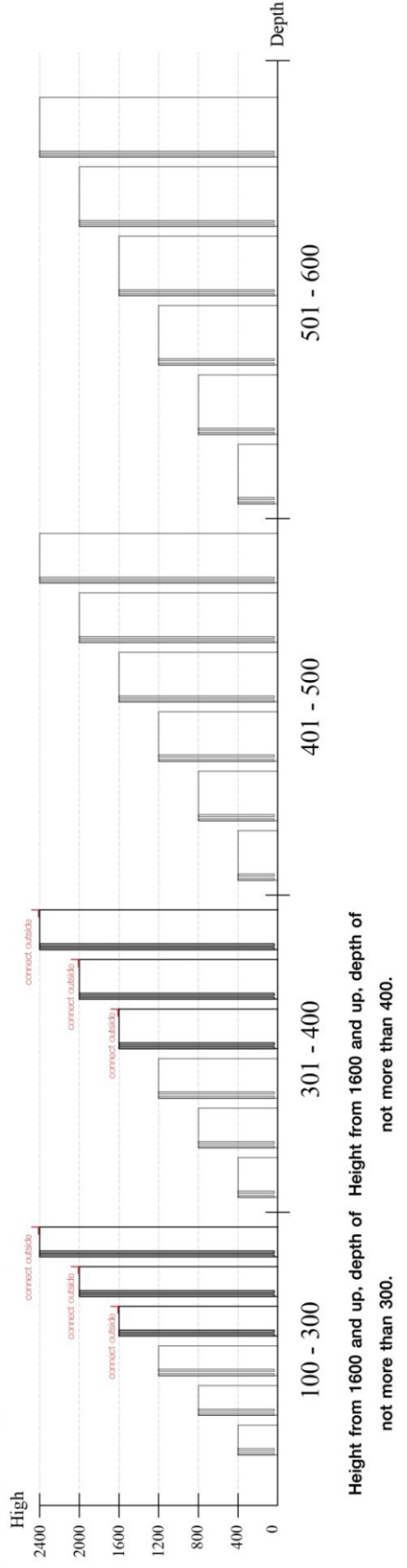
■ Category : Cabinet with open doors



■ Category : Chest of drawers



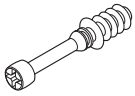
■ Category : Sliding door cabinet / Open cabinet



depth of not more than 300 still not manufacture yet

HARDWARE

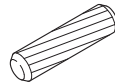
-BODY SET



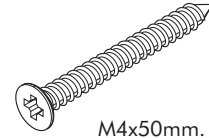
x 24



x 24



x 49

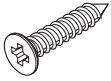


M4x50mm.

x 4

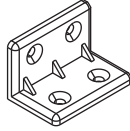


x 7



M4x25mm.

x 21

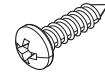


x 11



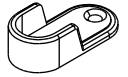
M4x16mm.

x 68



M4x16mm.

x 31

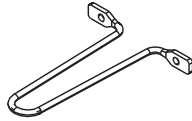


x 2



M3.5x13mm.

x 4

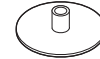


x 1



M4x40mm.

x 1

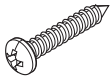


x 1



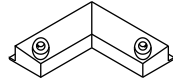
Mx4x30mm.

x 14



M4x25mm.

x 4

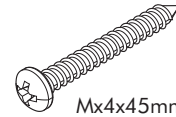


x 2



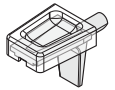
M3.5x20mm.

x 4

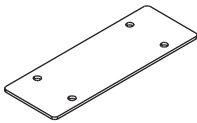


Mx4x45mm.

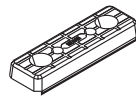
x 3



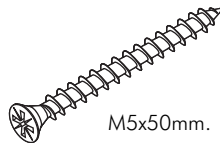
x 4



x 2



x 12

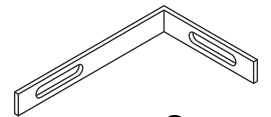


M5x50mm.

x 2

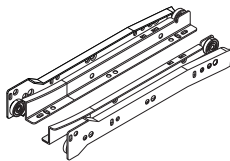


x 2



x 2

-DRAWER SET

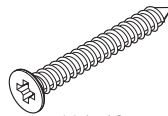


x 2



M3.5x13mm.

x 16



M4x40mm.

x 16



M6x23mm.

x 8

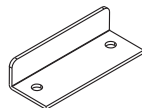


x 1



GAL5/10.5 mm.

x 12

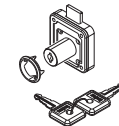


x 1

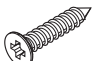


4x1/2"

x 2

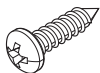


x 1



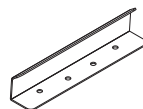
M3.5x20mm.

x 4



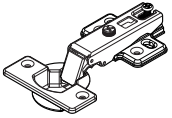
M3.5x16mm.

x 4



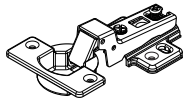
x 2

-DOOR SET



(FULL OVERLAY)

x 8



(HALF OVERLAY)

x 4

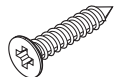


M4x16mm.

x 72

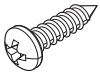


x 6



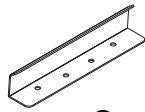
M4x25mm.(BLACK)

x 12



M3.5x16mm.

x 4

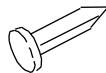


x 2

-LAMP SET



x 3

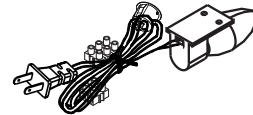


x 3



#5x3/4"

x 2



x 1



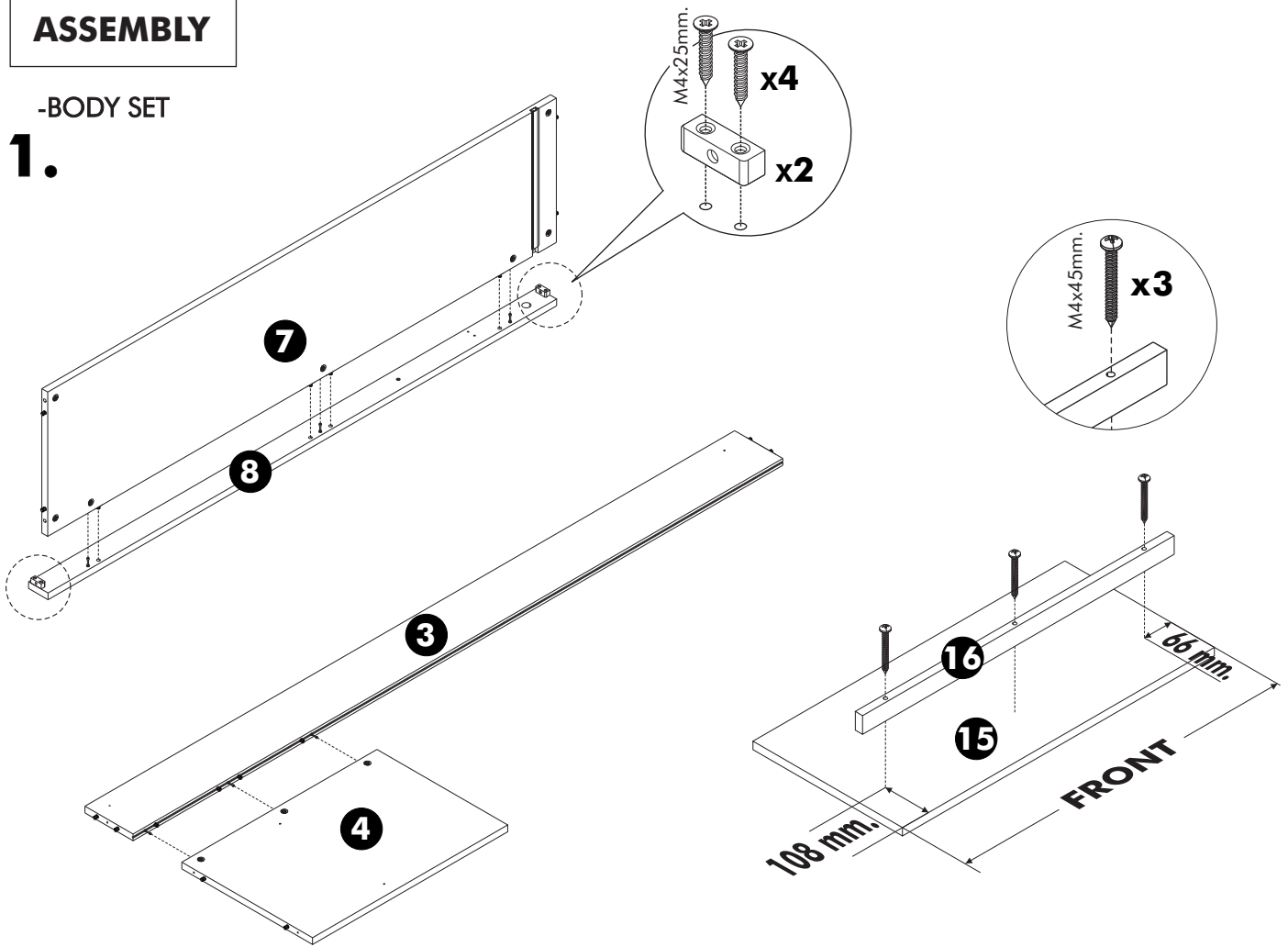
#5x1/2"

x 2

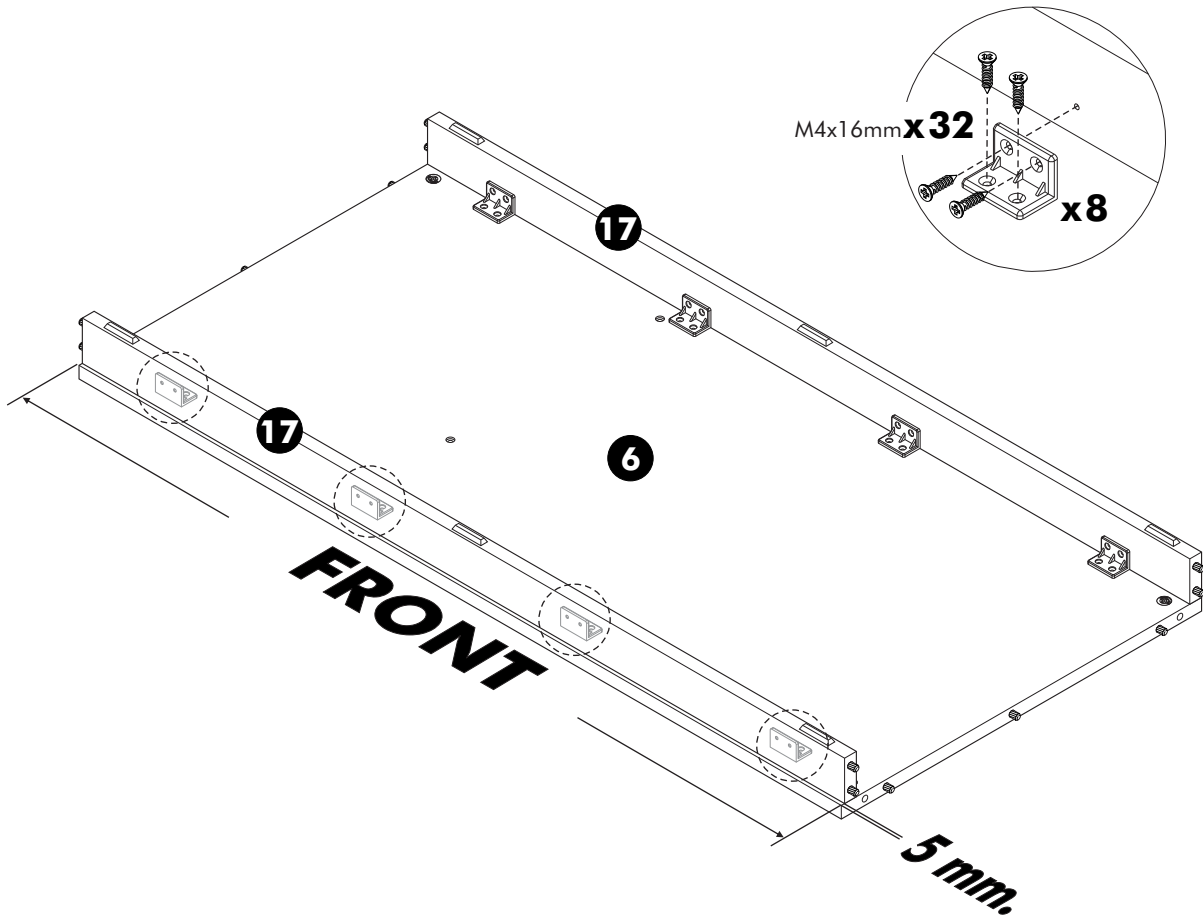
ASSEMBLY

-BODY SET

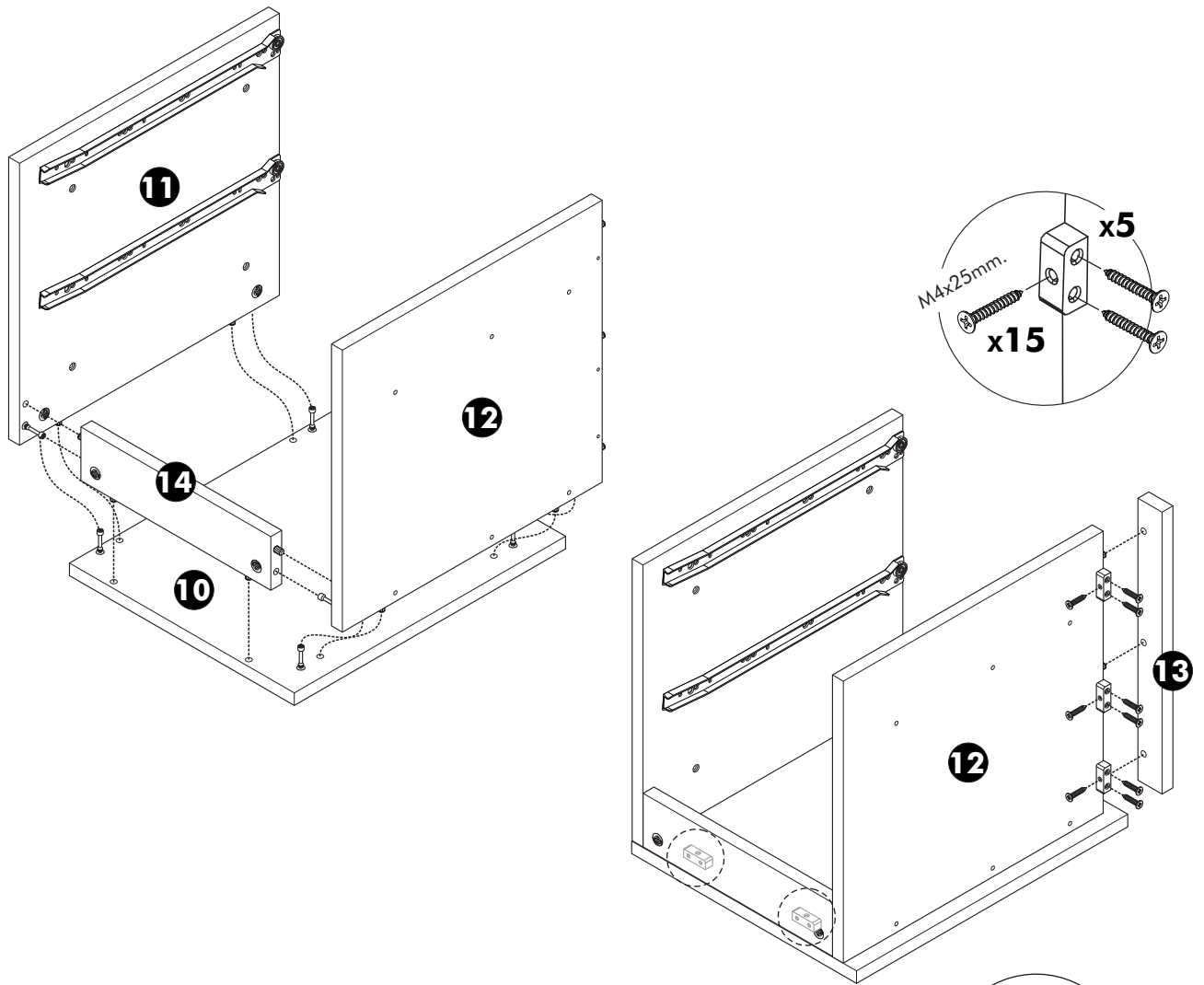
1.



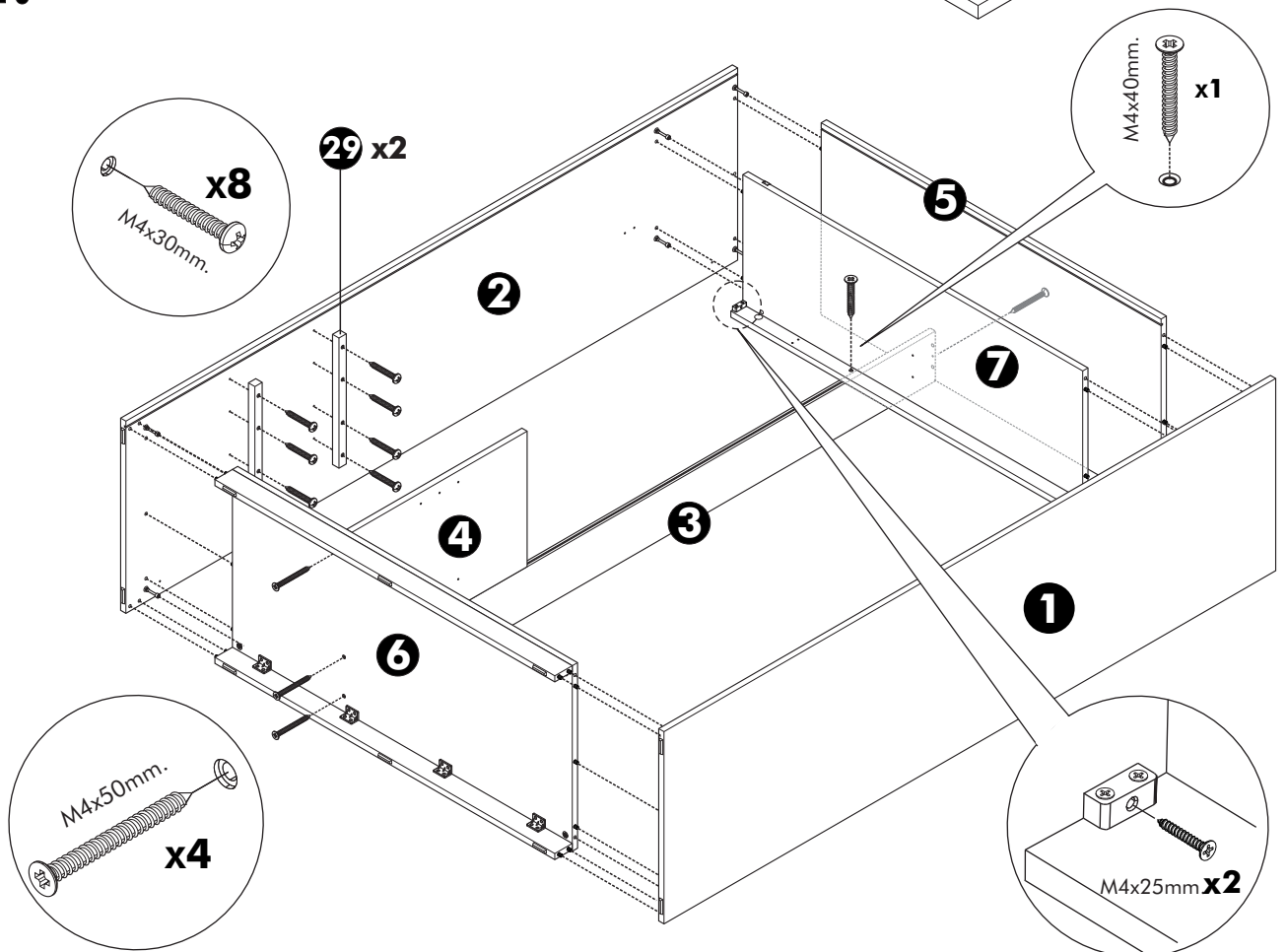
2.



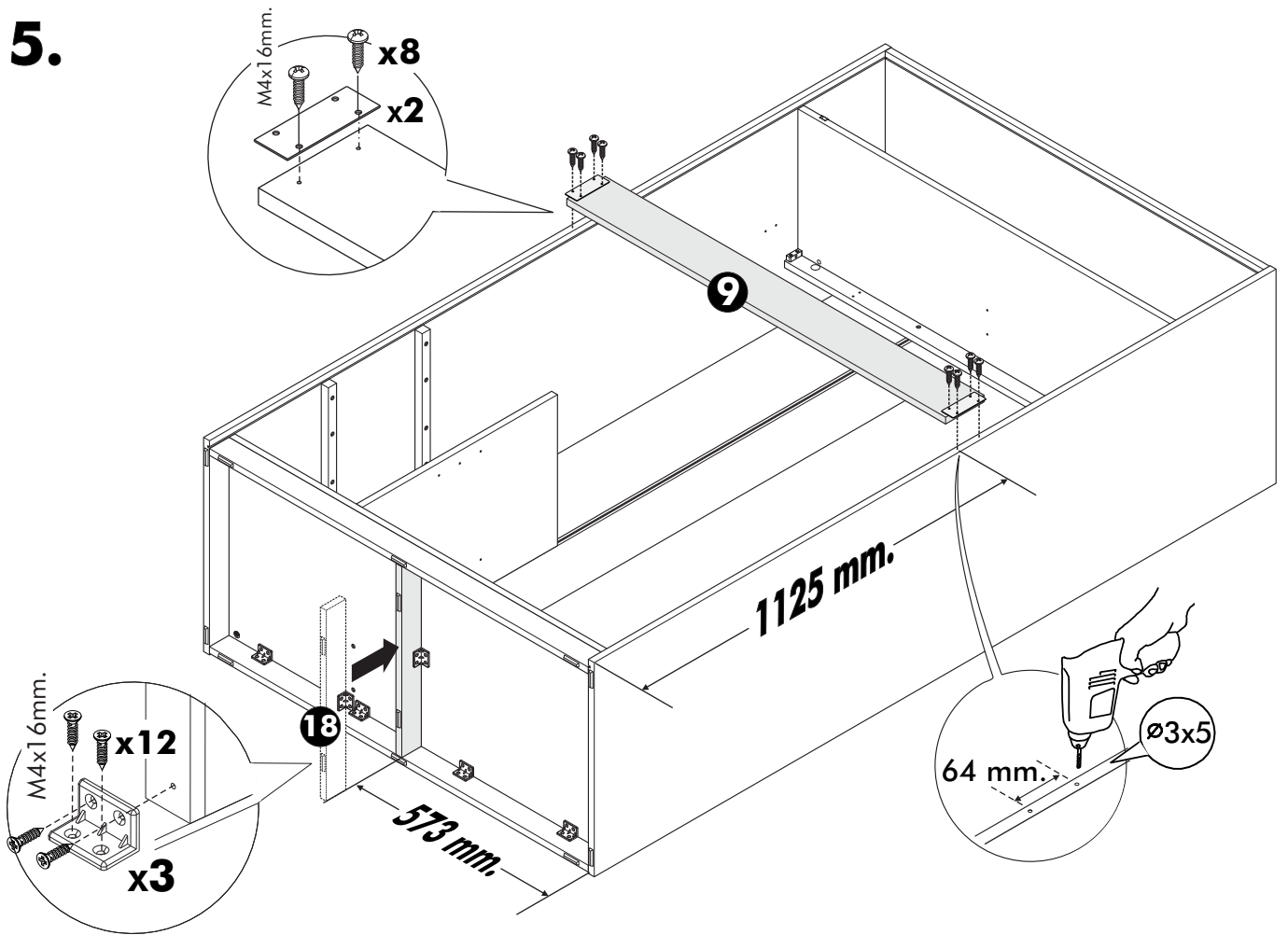
3.



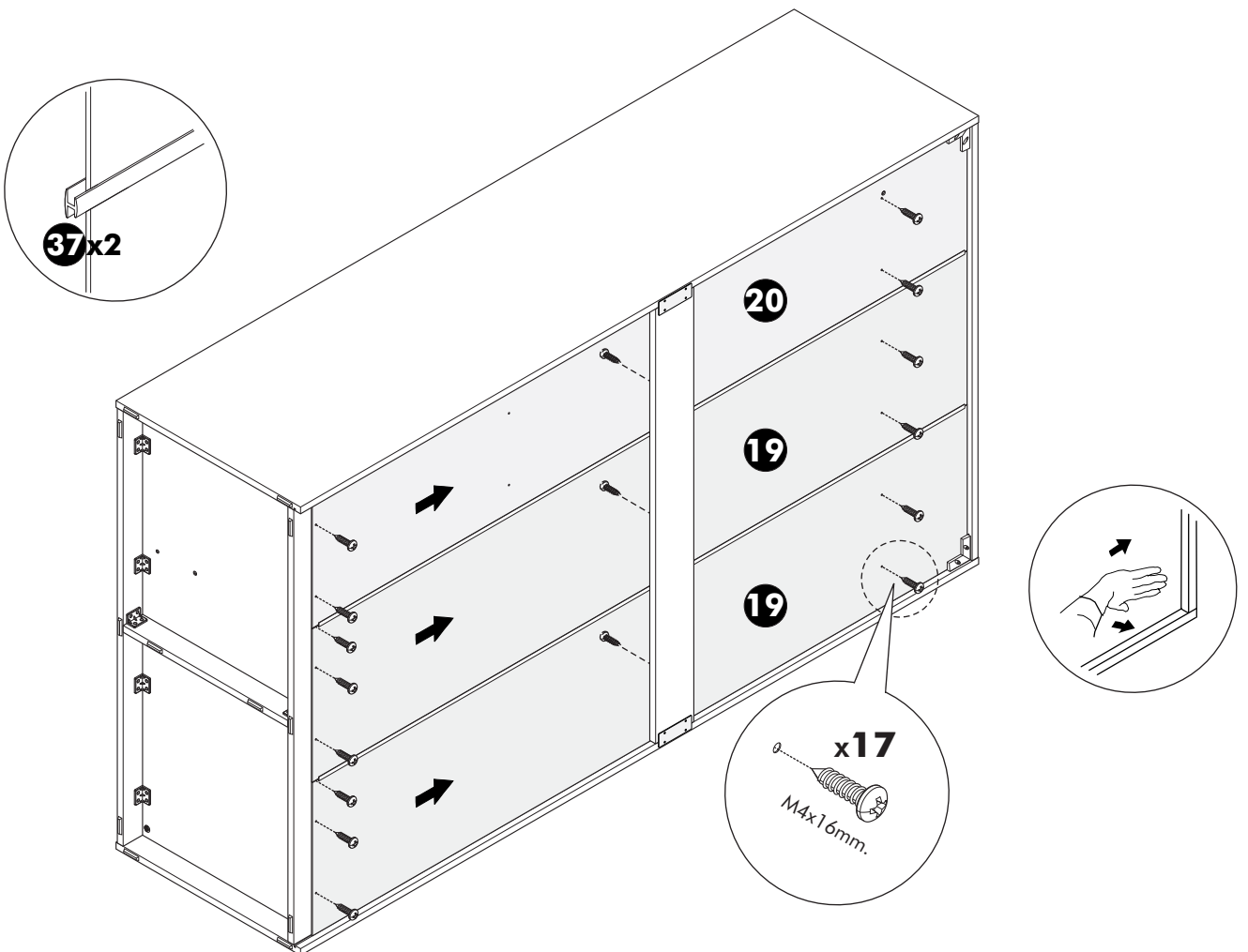
4.



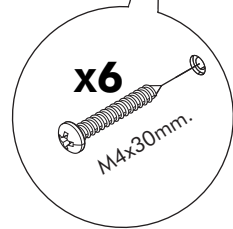
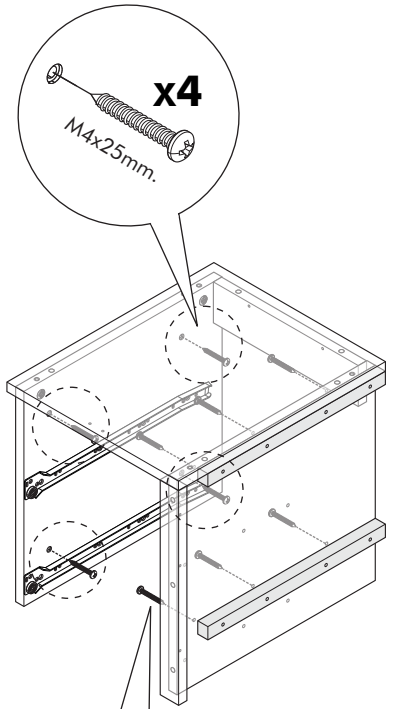
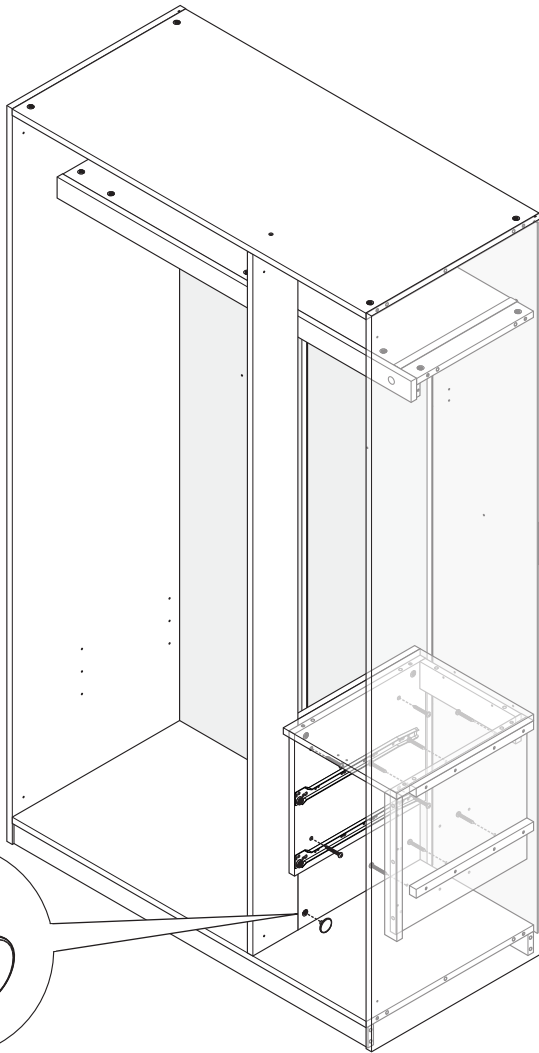
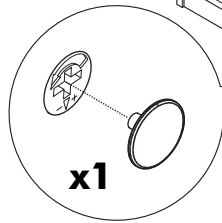
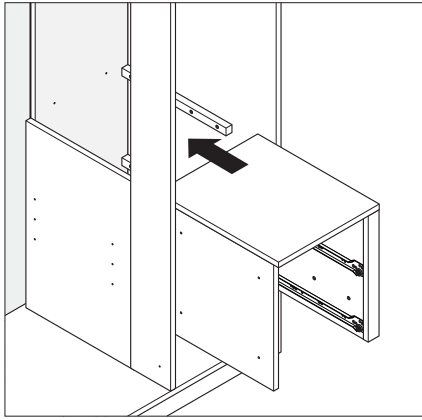
5.



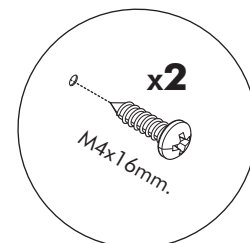
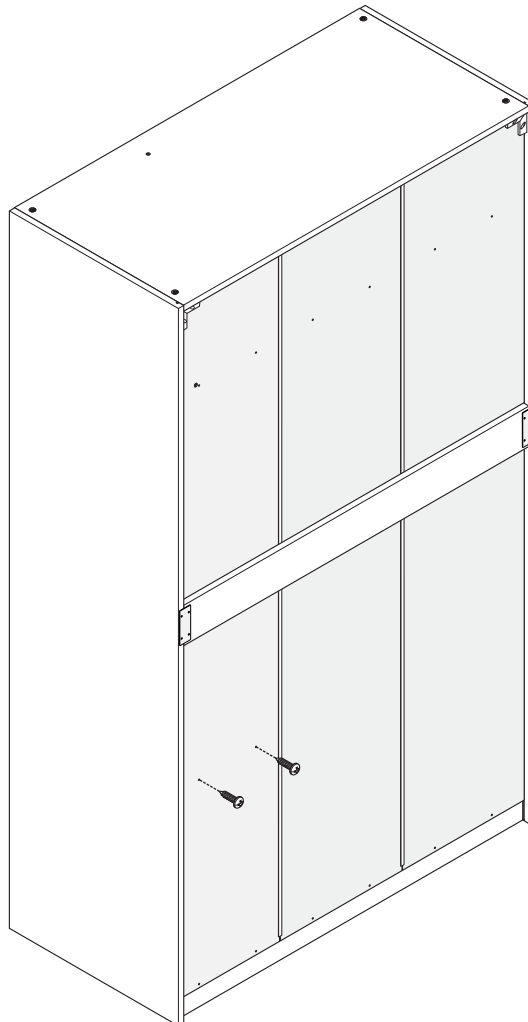
6.

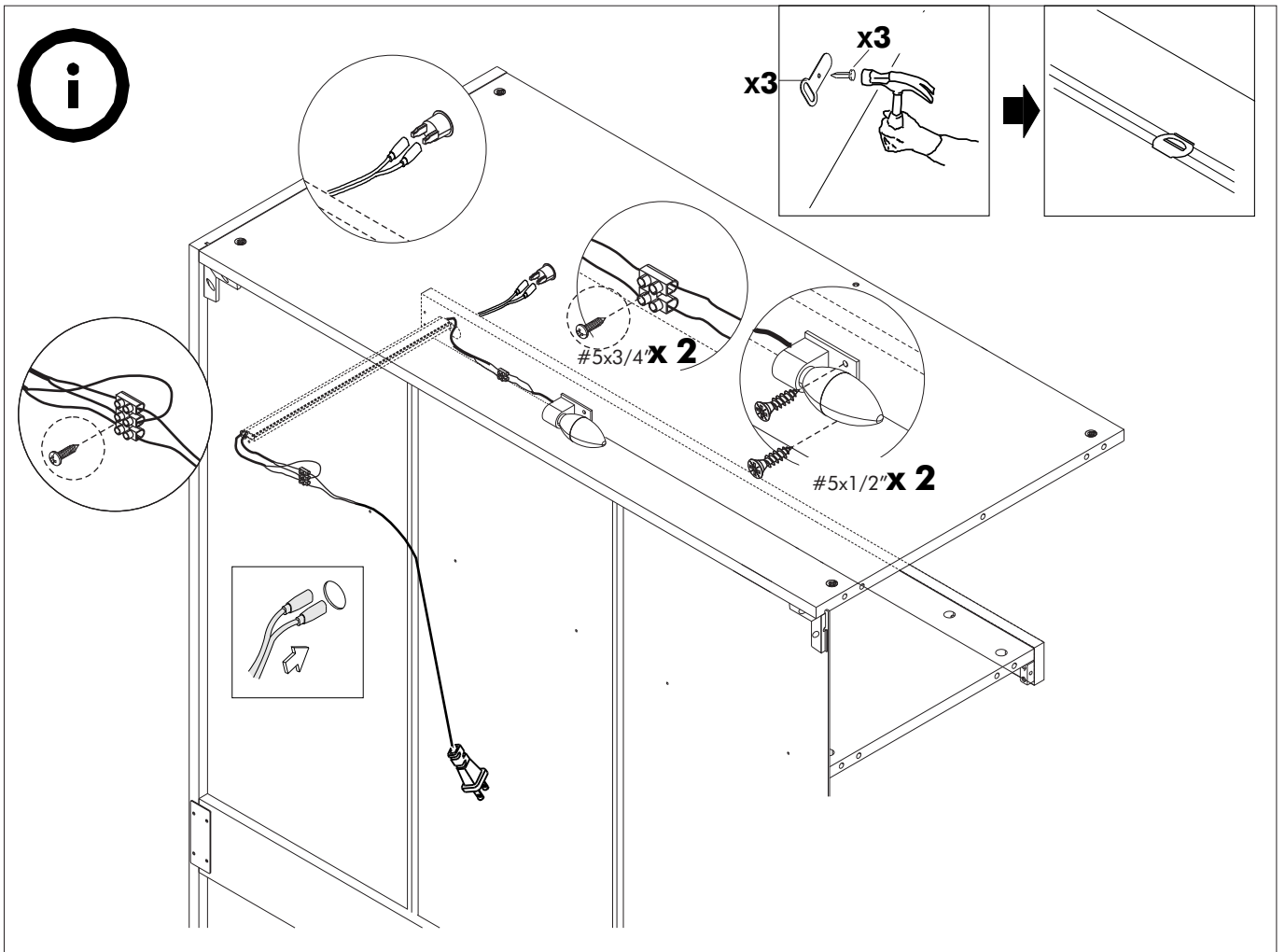


7.

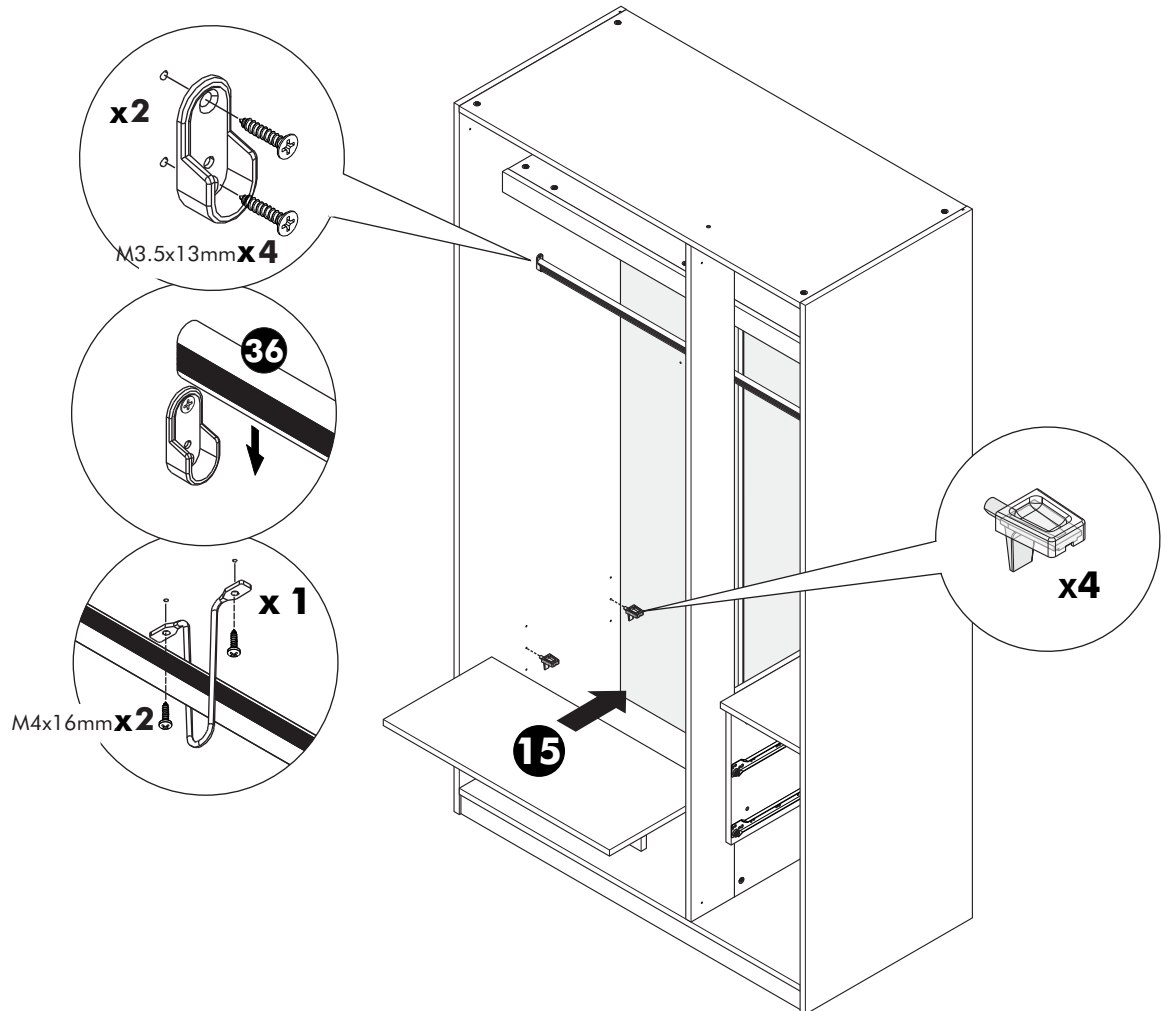


8.



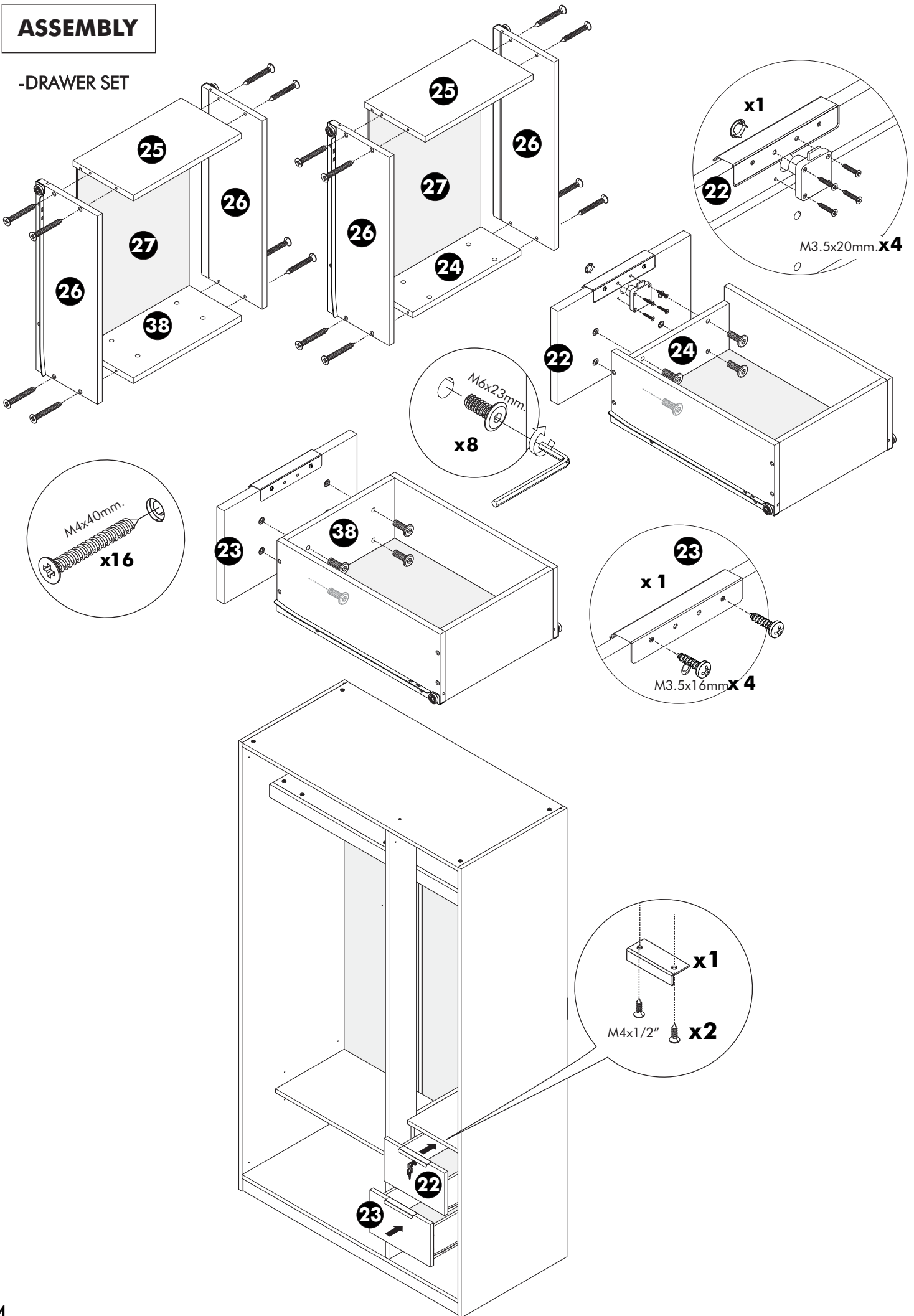


9.



ASSEMBLY

-DRAWER SET



ASSEMBLY

-DOOR SET (FULL OVERLAY)

