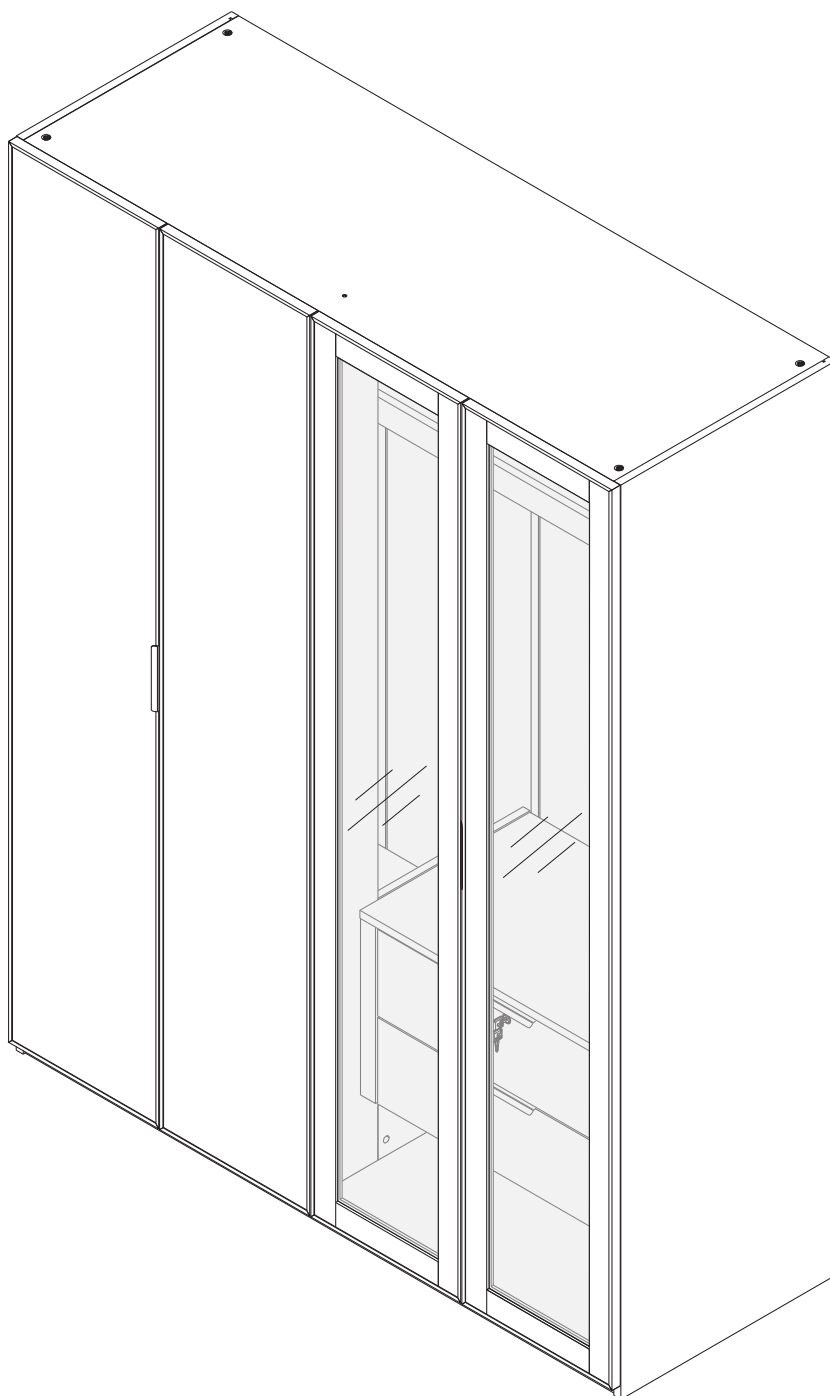


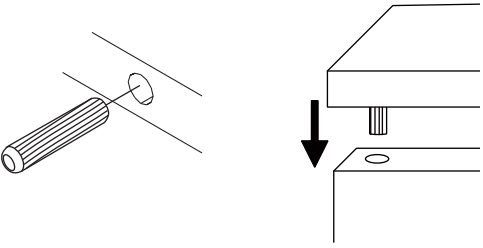
MILAN

Wardrobe 4 dr.

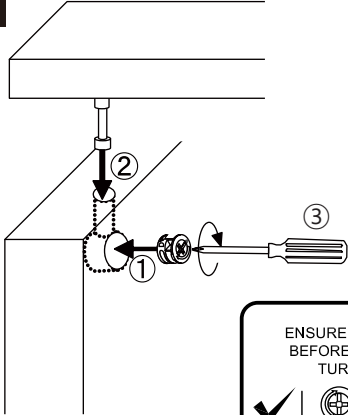


CONNECT SYSTEM

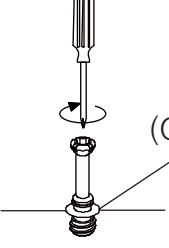
1



3









2




(Connecting bolts)

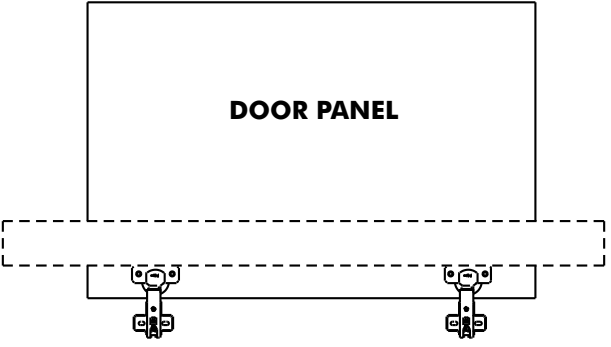
WHEN FITTING CAMS
 ENSURE STARTING POSITION IS CORRECT
 BEFORE YOU INSERT CONNECTING BOLT
 TURN CLOCKWISE UNTIL SECURE

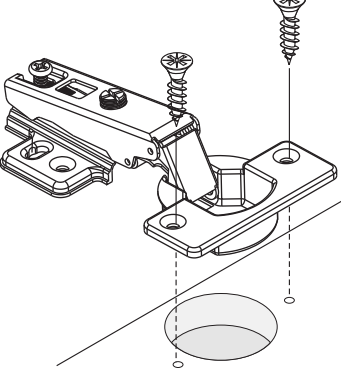
✓				✗
				
	CORRECT	WRONG		

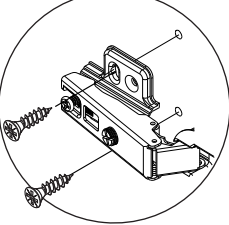
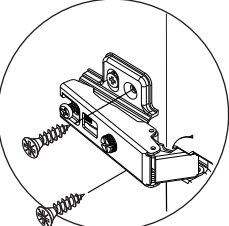
M4x16mm.




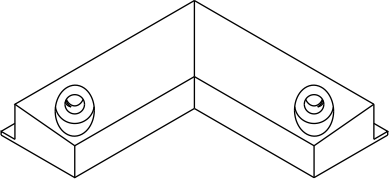
DOOR PANEL

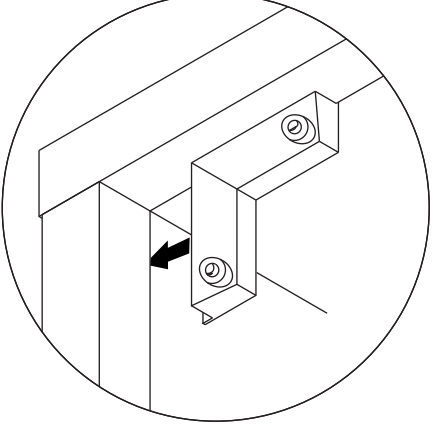


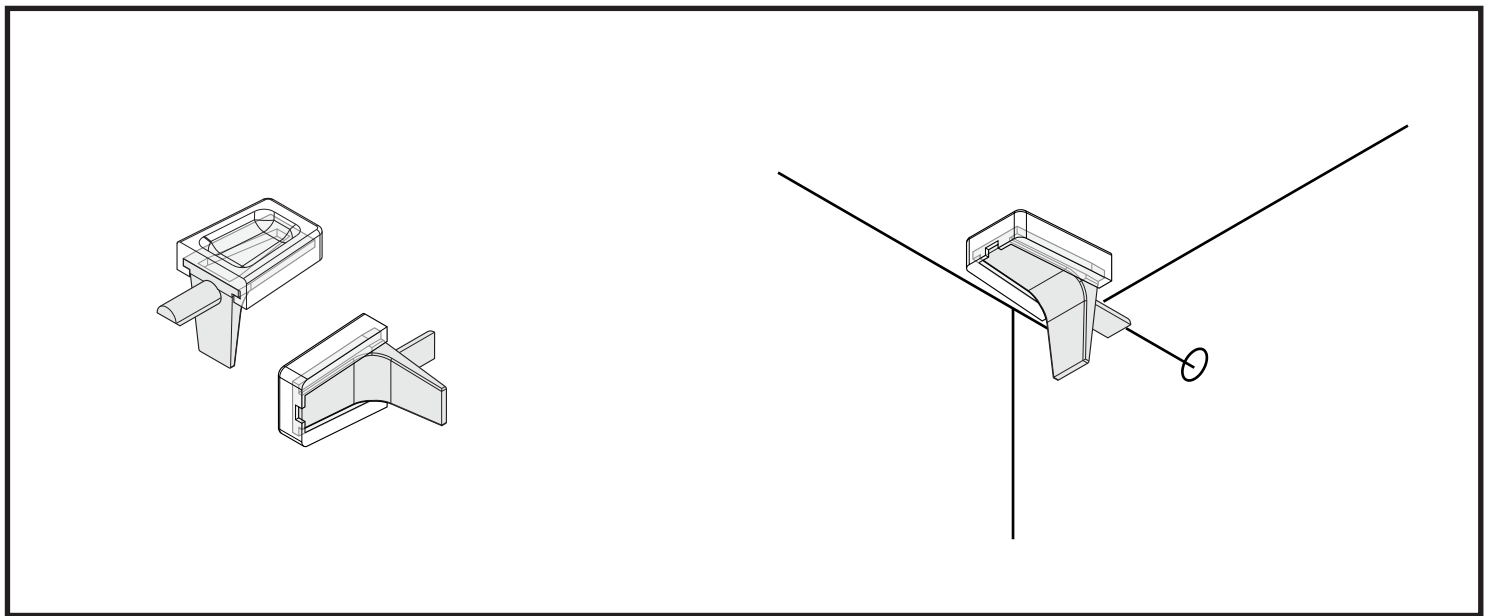
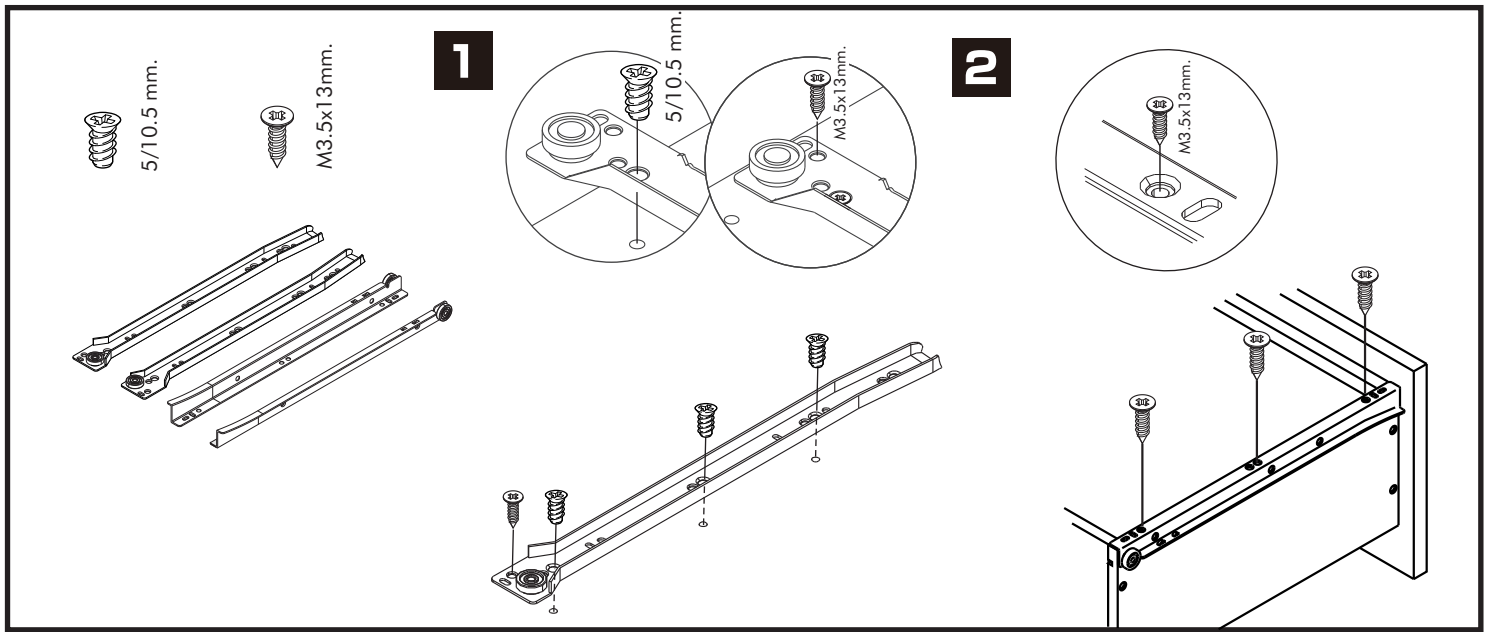


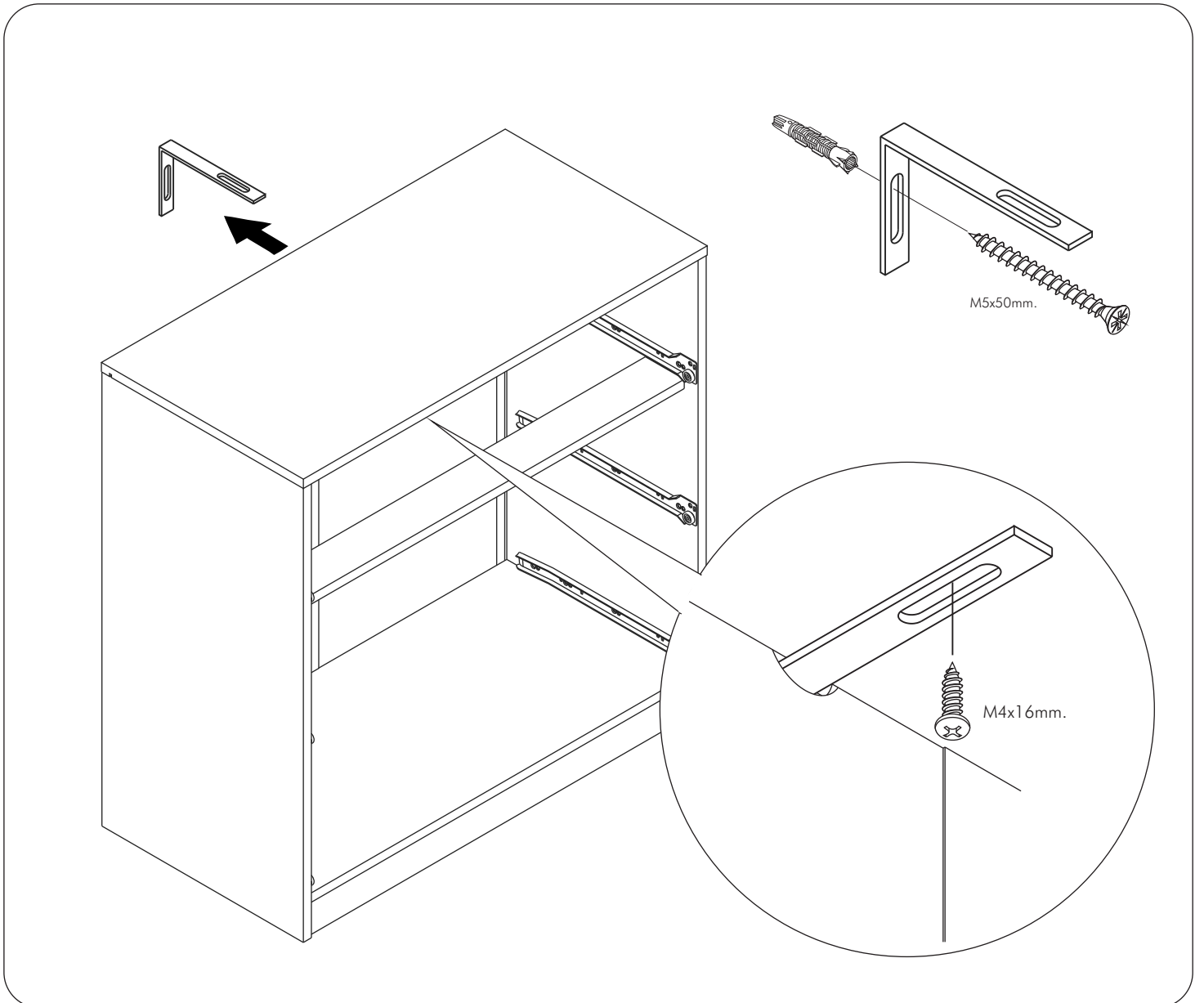
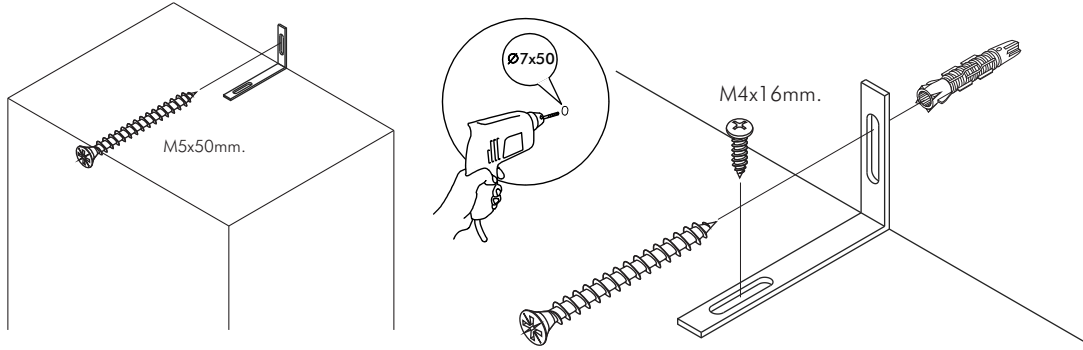
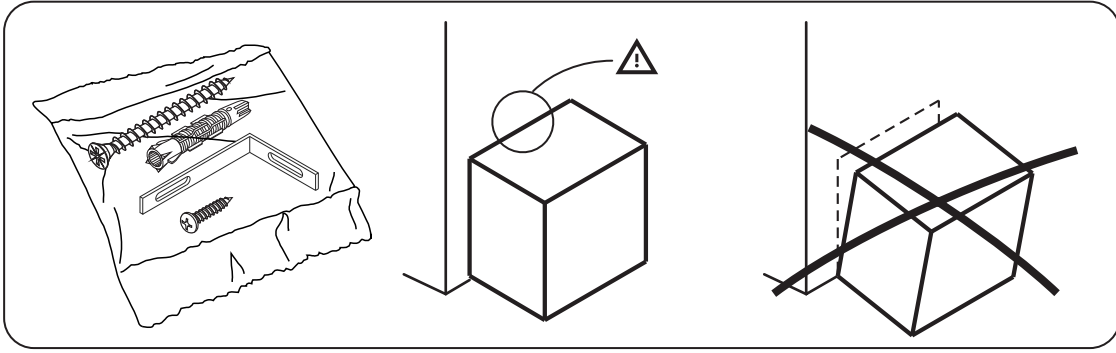
M3.5x20mm.





x2

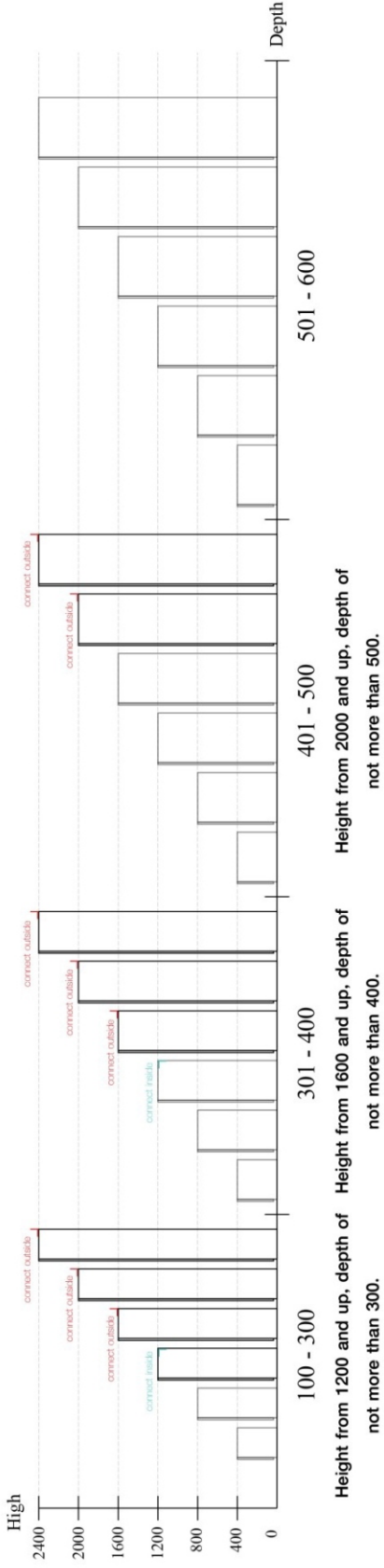


The Standard for identifying which mounted safety fall protection fitting to use **Note : That children's products must be installed with all anti-falling fittings.**

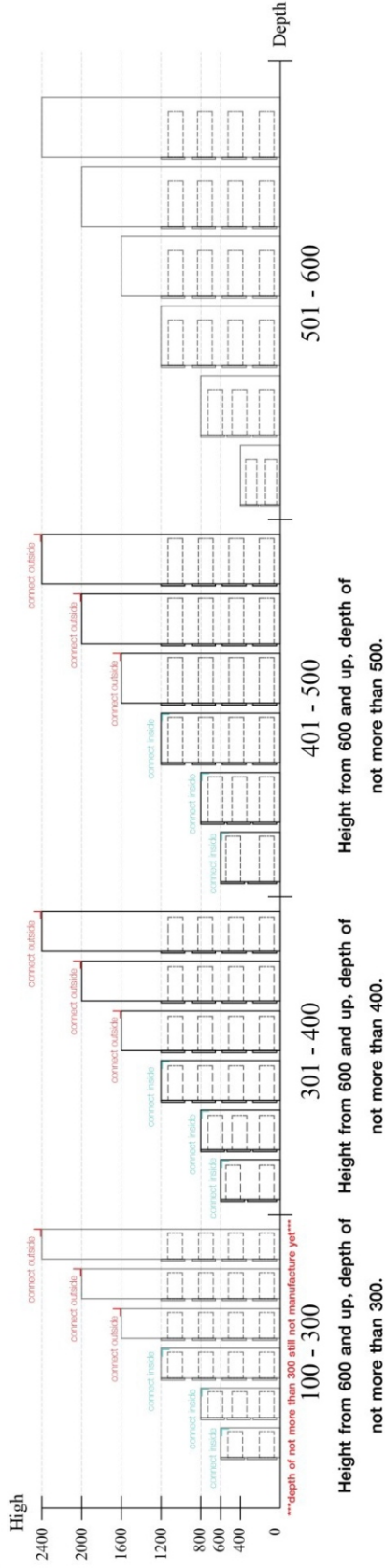
■ Mounted fall protection fittings



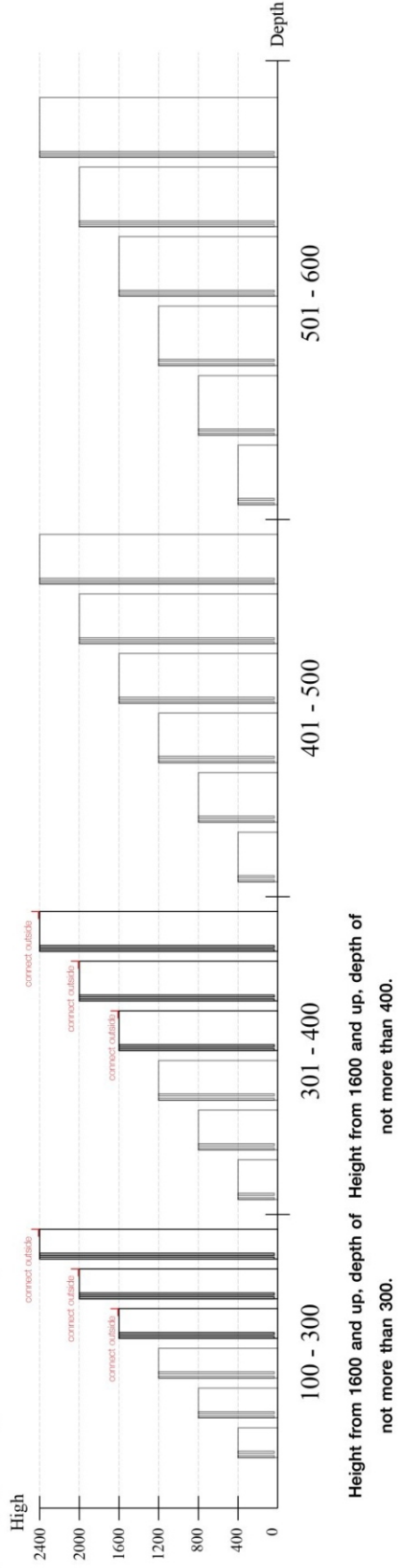
■ Category : Cabinet with open doors



■ Category : Chest of drawers

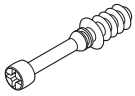


■ Category : Sliding door cabinet / Open cabinet



HARDWARE

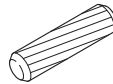
-BODY SET



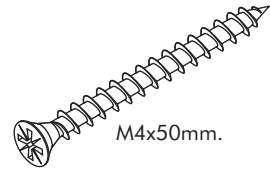
x 25



x 25

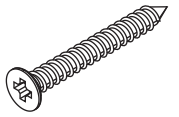


x 52



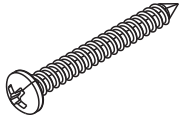
M4x50mm.

x 4



M4x40mm.

x 1



M4x45mm.

x 3



x 10

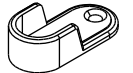


M4x25mm.

x 30



x 1



x 2



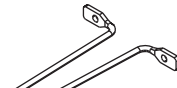
M3.5x13mm.

x 4



M4x16mm.

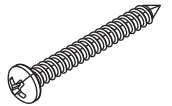
x 43



x 1

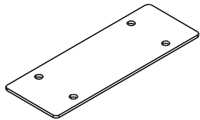


x 4

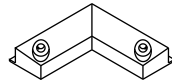


M4x35mm.

x 3



x 2

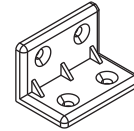


x 2



M3.5x20mm.

x 4

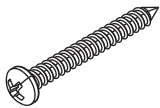


x 11



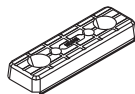
M4x16mm.

x 68

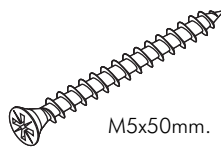


M4x30mm.

x 28

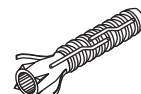


x 12

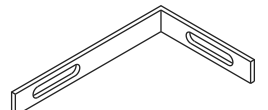


M5x50mm.

x 2

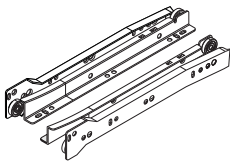


x 2



x 2

-DRAWER SET

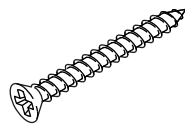


x 2



M3.5x13mm.

x 16



M4x40mm.

x 20



M6x23mm.

x 12

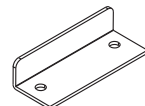


x 1



#GAL5/10.5 mm.

x 12

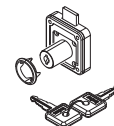


x 1



#M4x1/2"

x 2



x 1



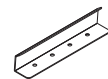
M3.5x20mm.

x 4



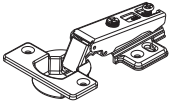
M3.5x16mm.

x 4



x 2

-DOOR SET



(FULL OVERLAY)

x 8



(HALF OVERLAY)

x 8



M4x16mm.

x 96



x 8



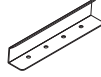
M4x25mm.(BLACK)

x 12



M3.5x16mm.

x 4

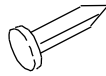


x 2

-LAMP SET



x 3

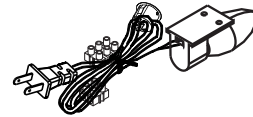


x 3



#5x3/4"

x 2



x 1



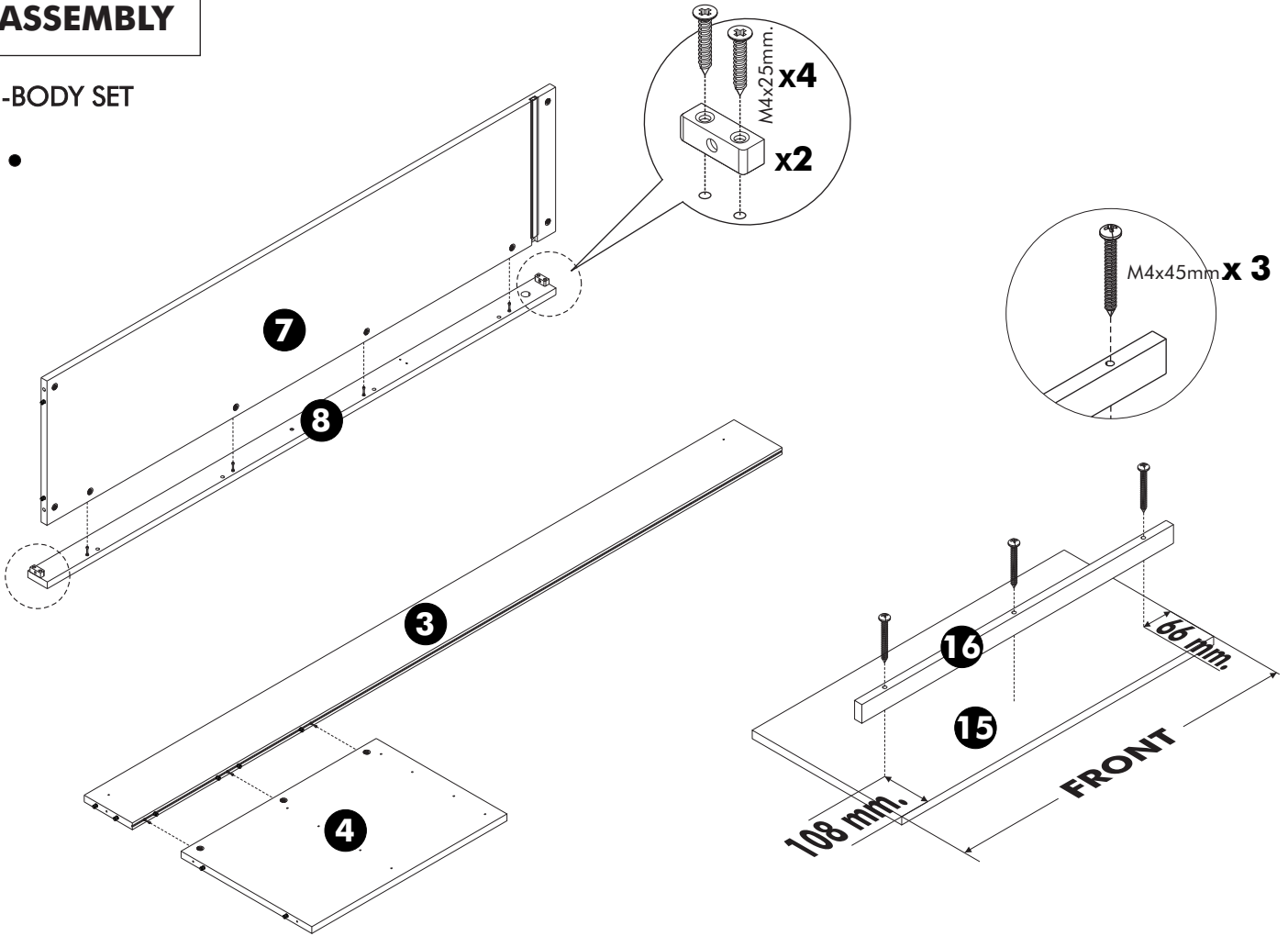
#5x1/2"

x 2

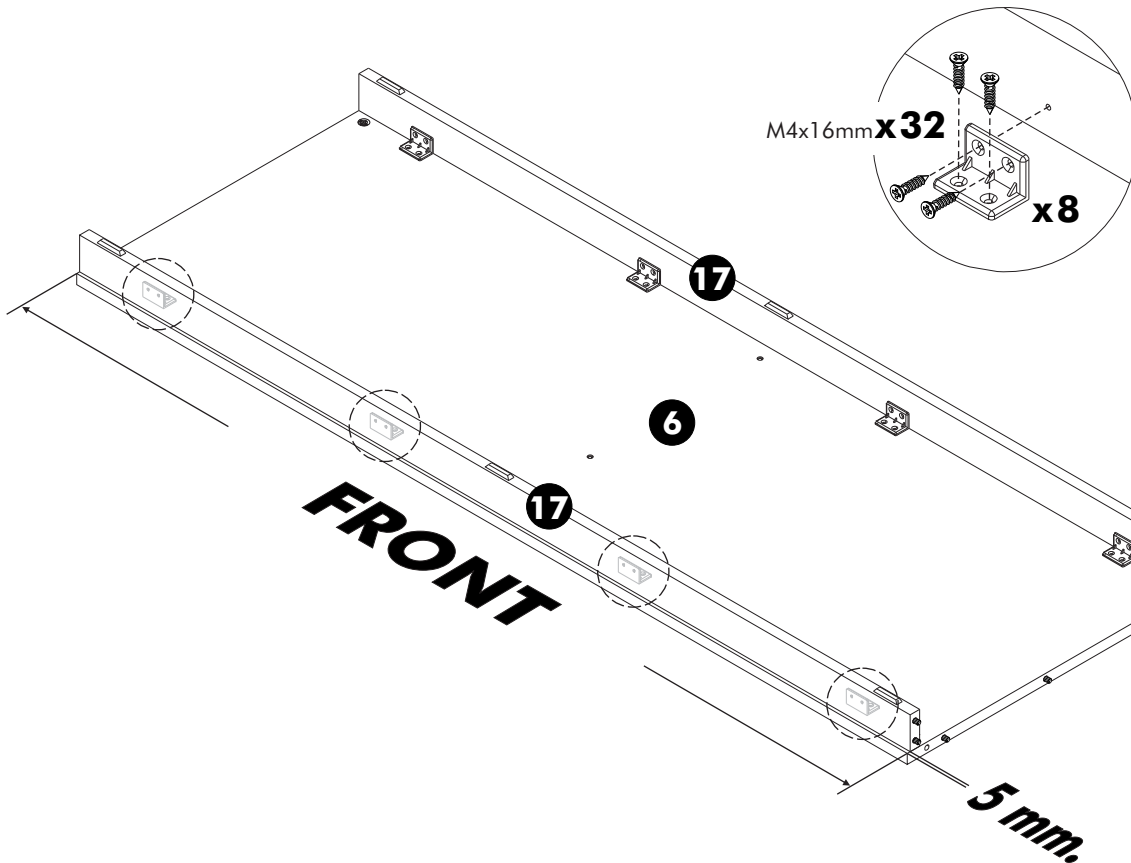
ASSEMBLY

-BODY SET

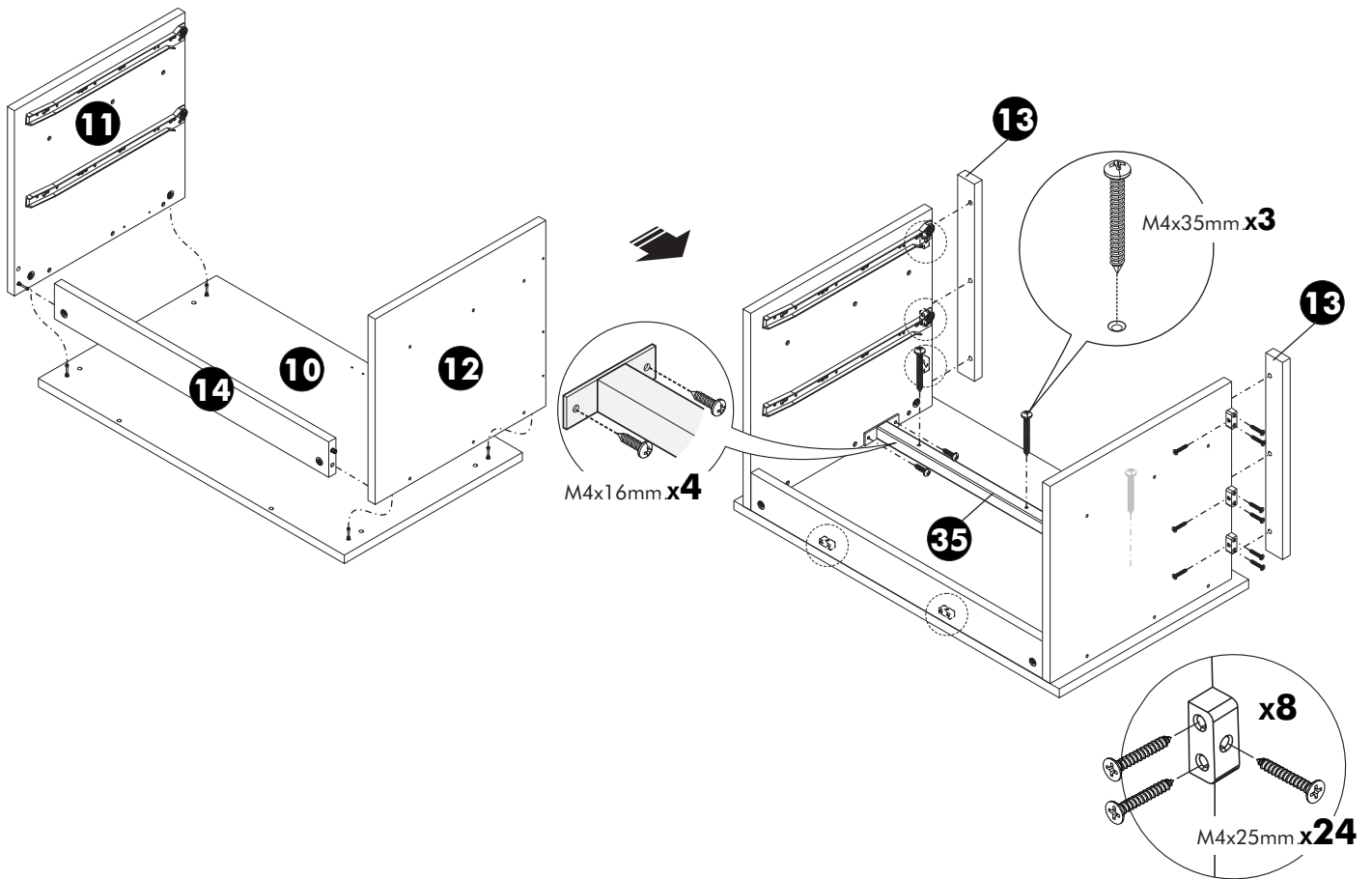
1.



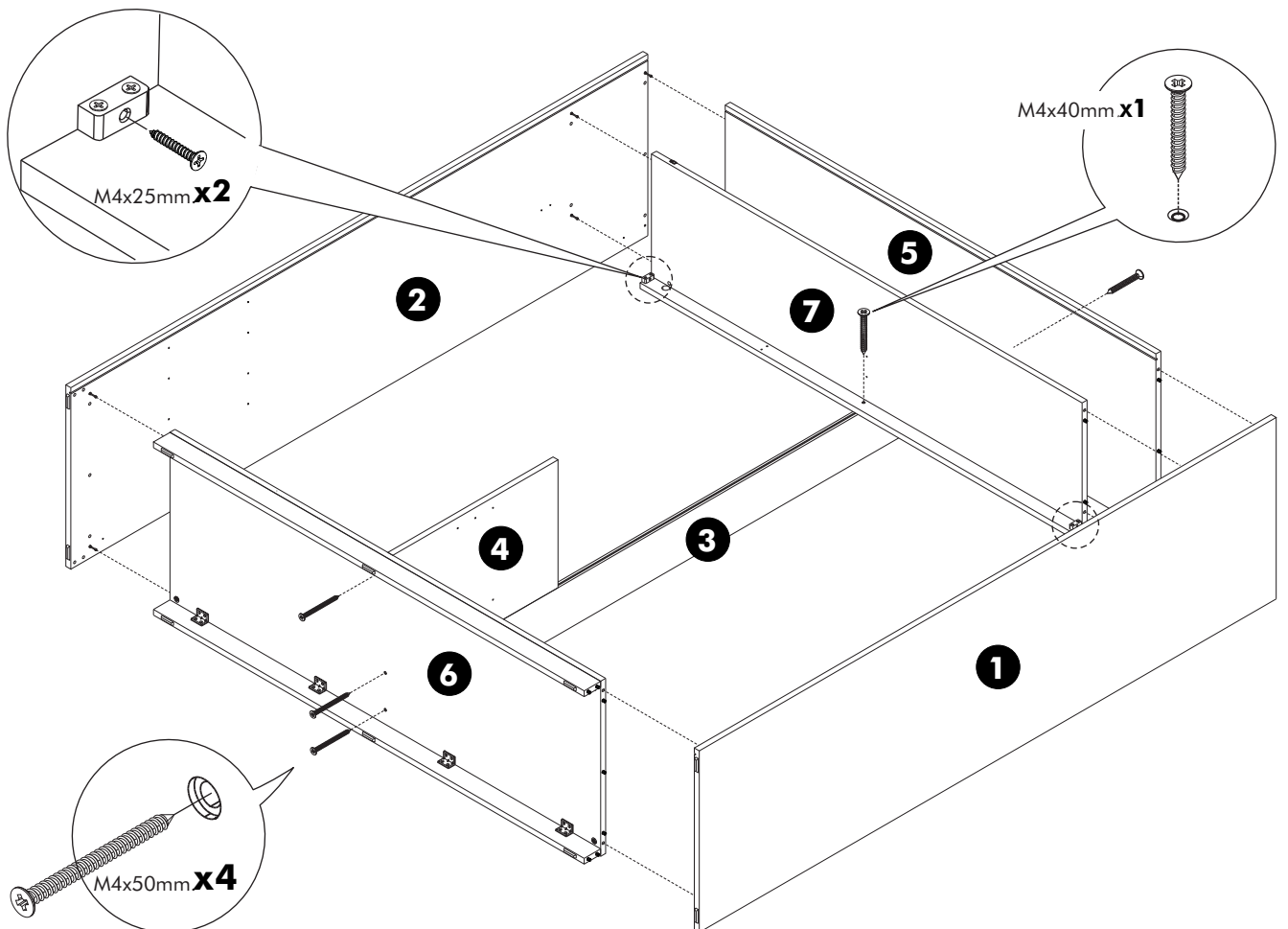
2.



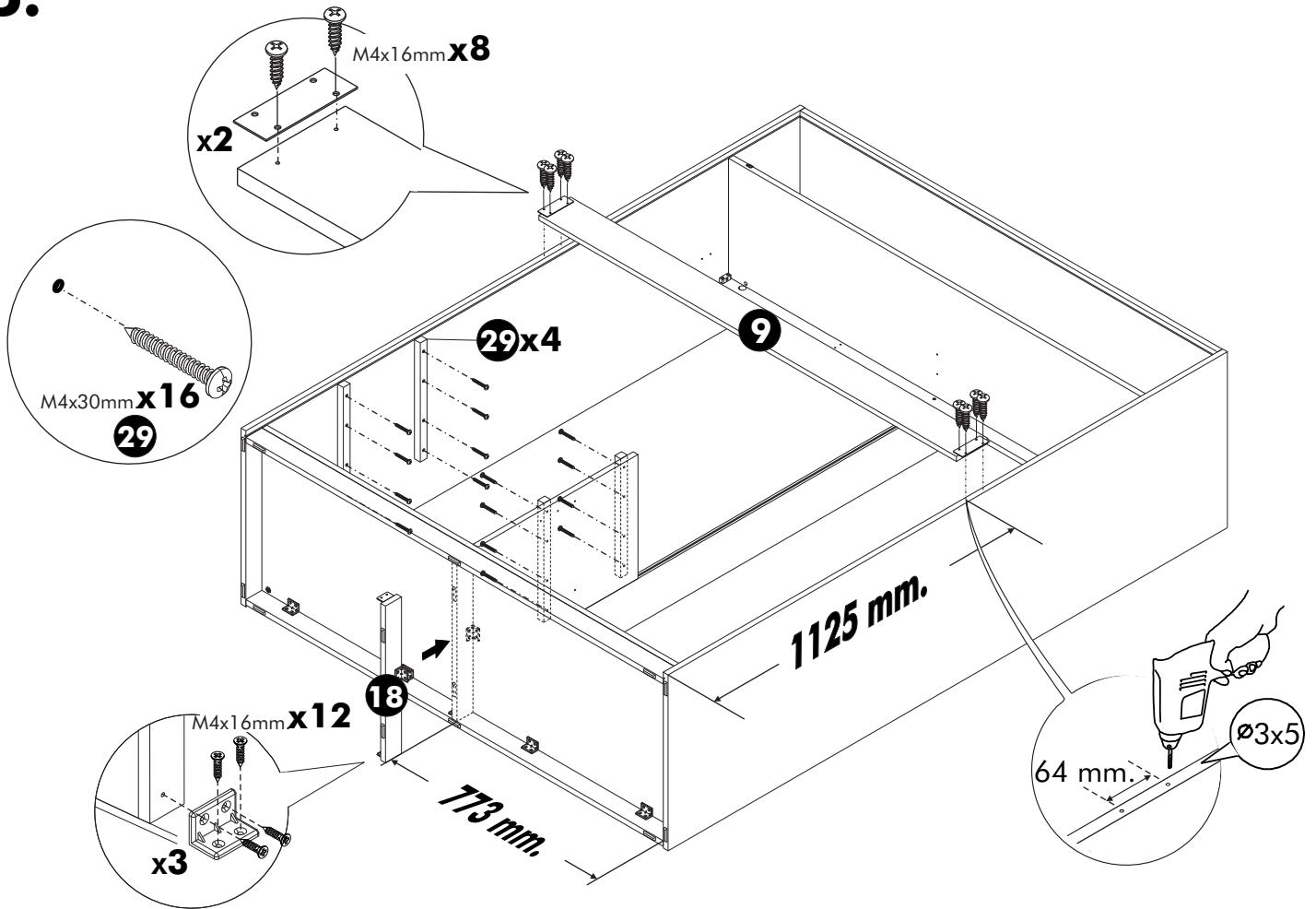
3.



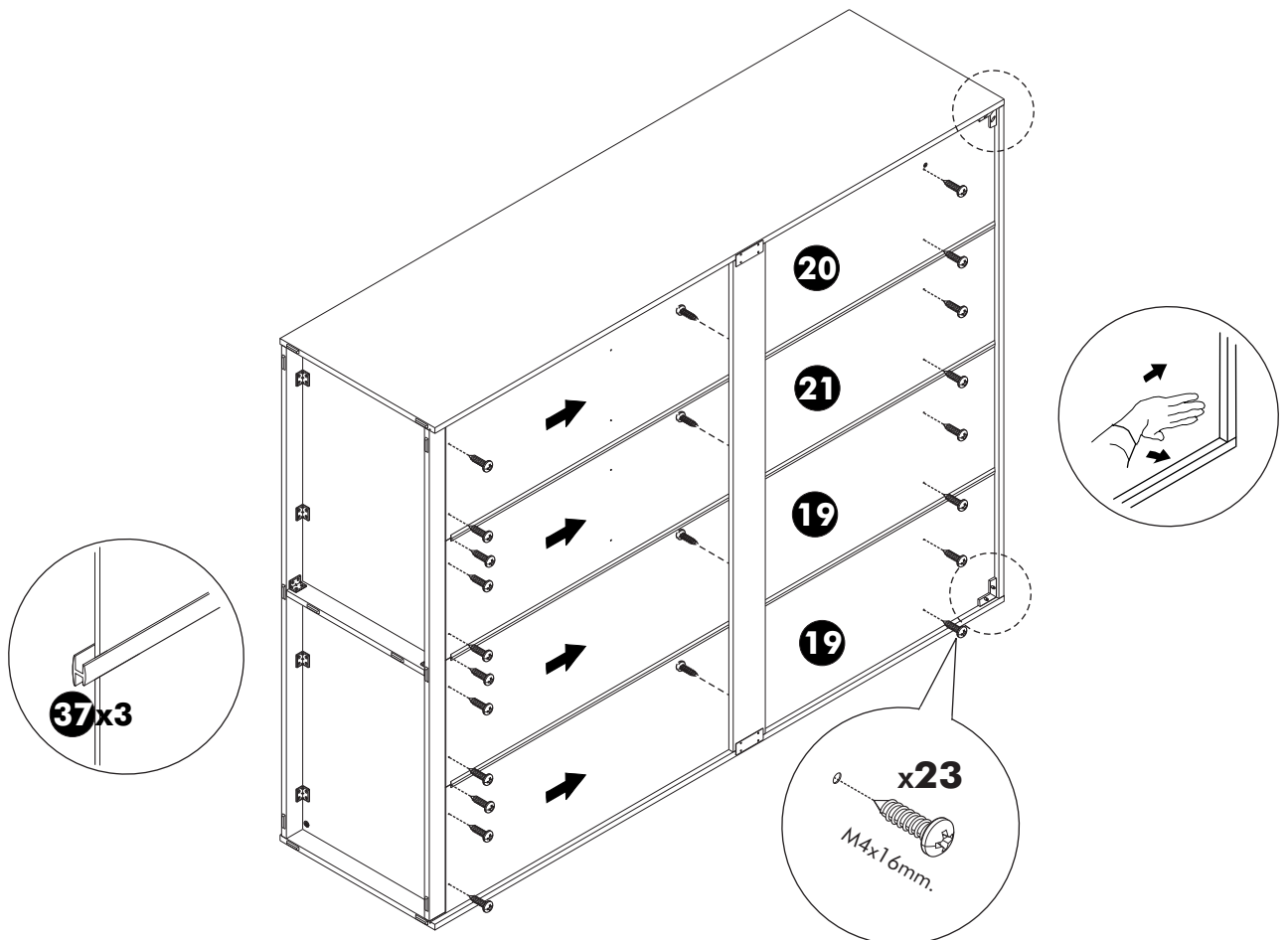
4.



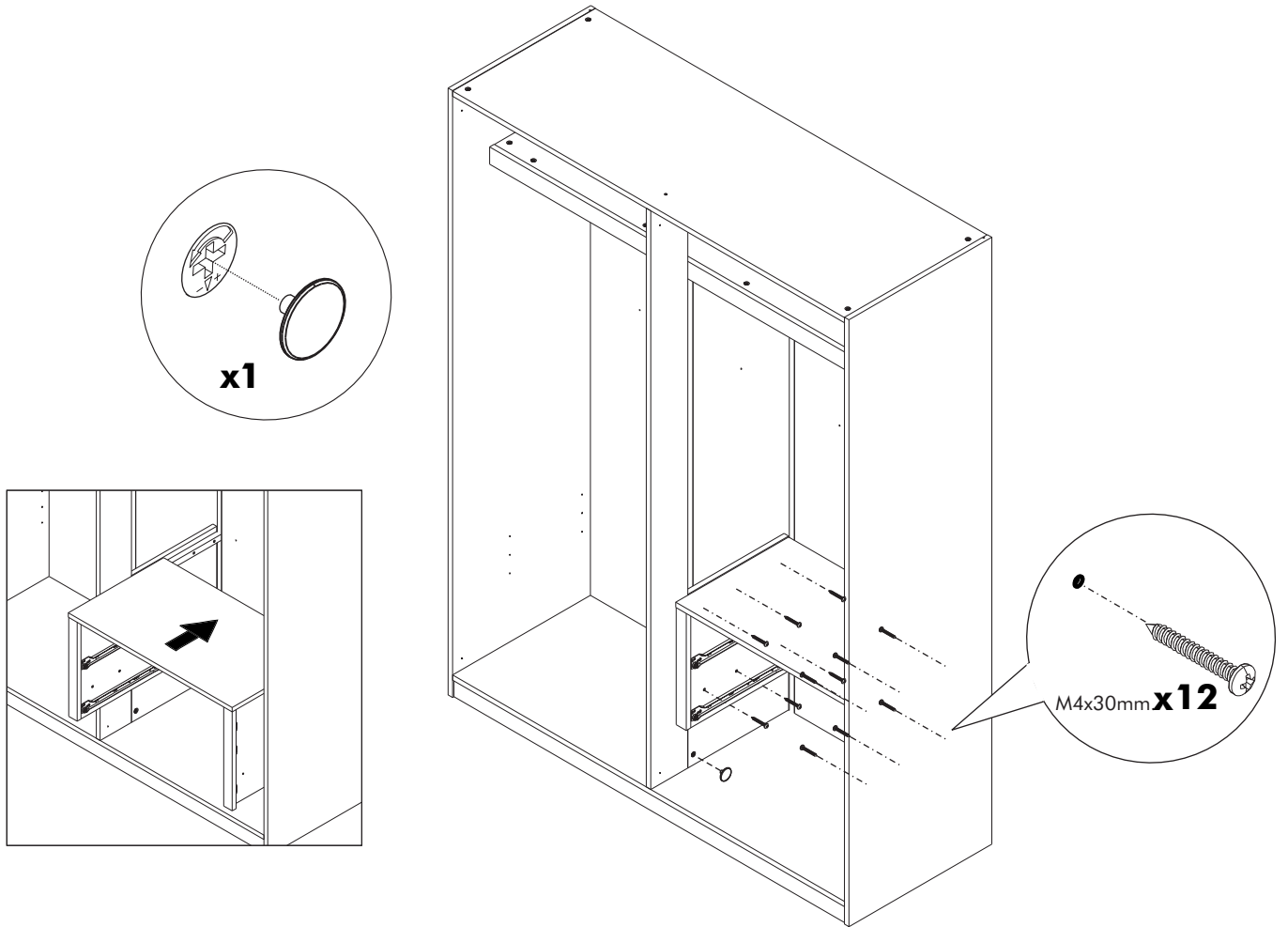
5.



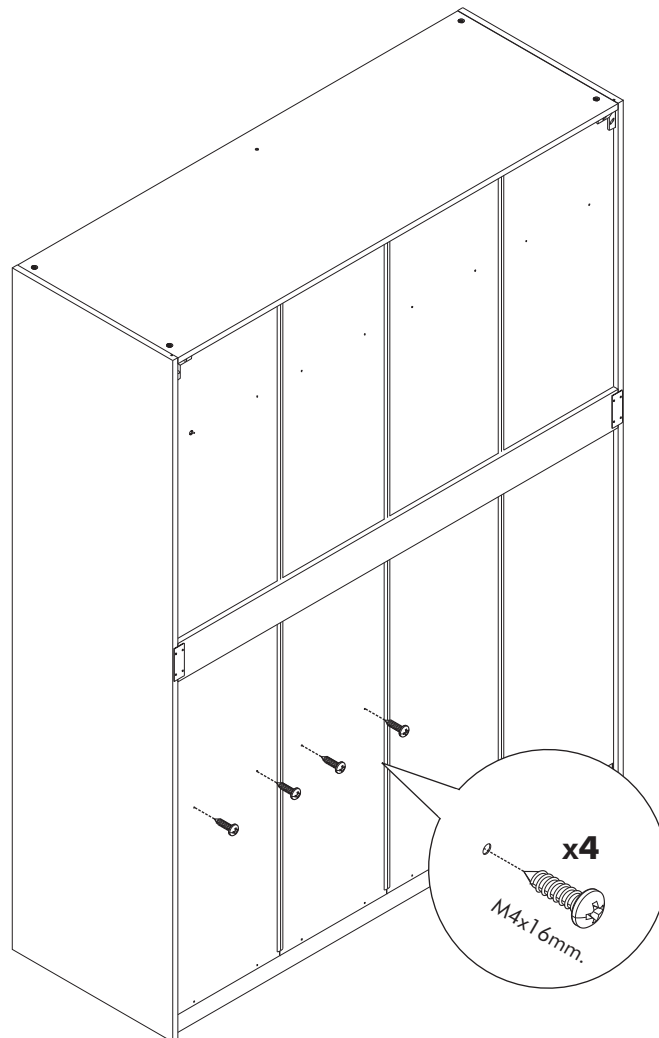
6.

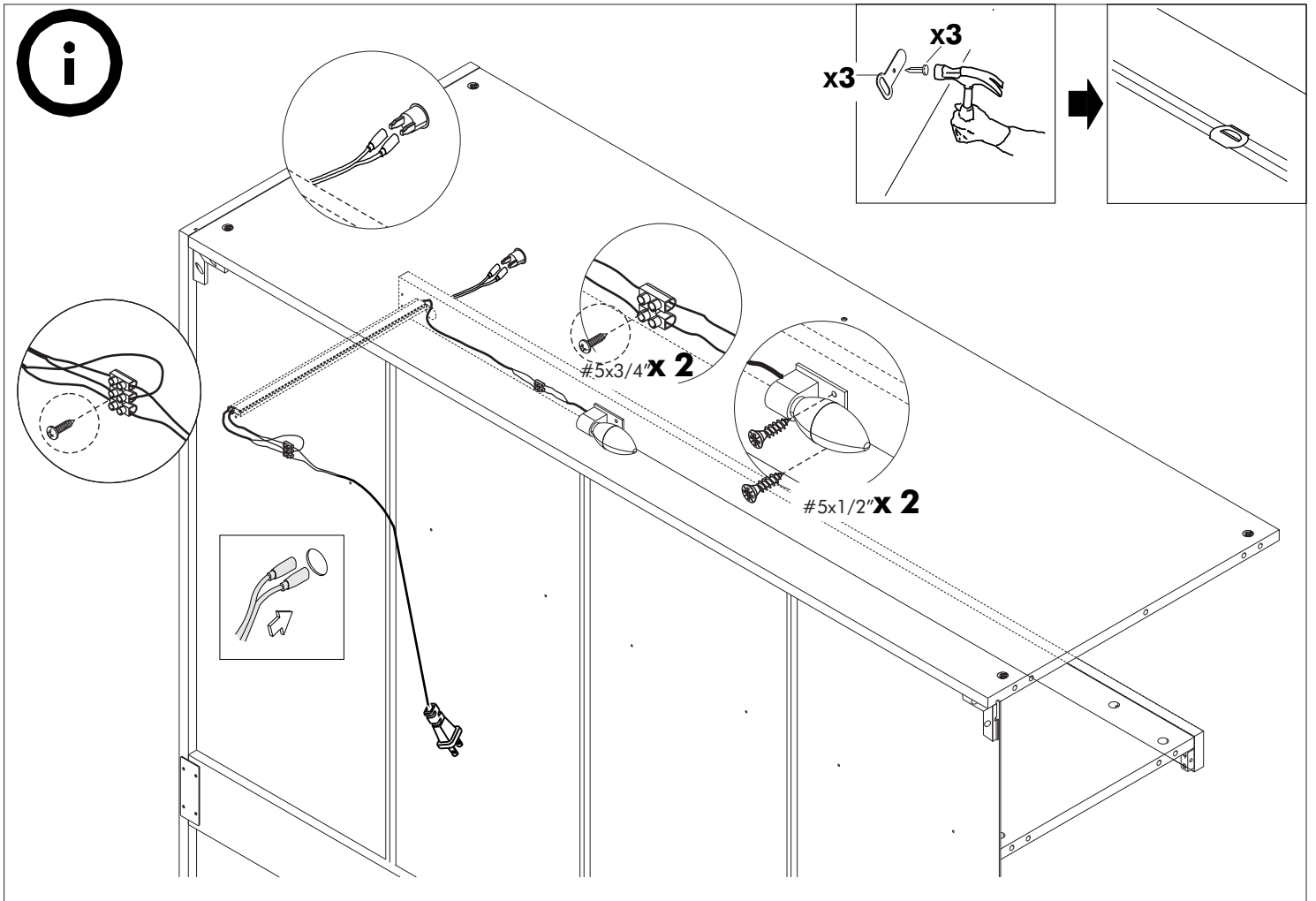


7.

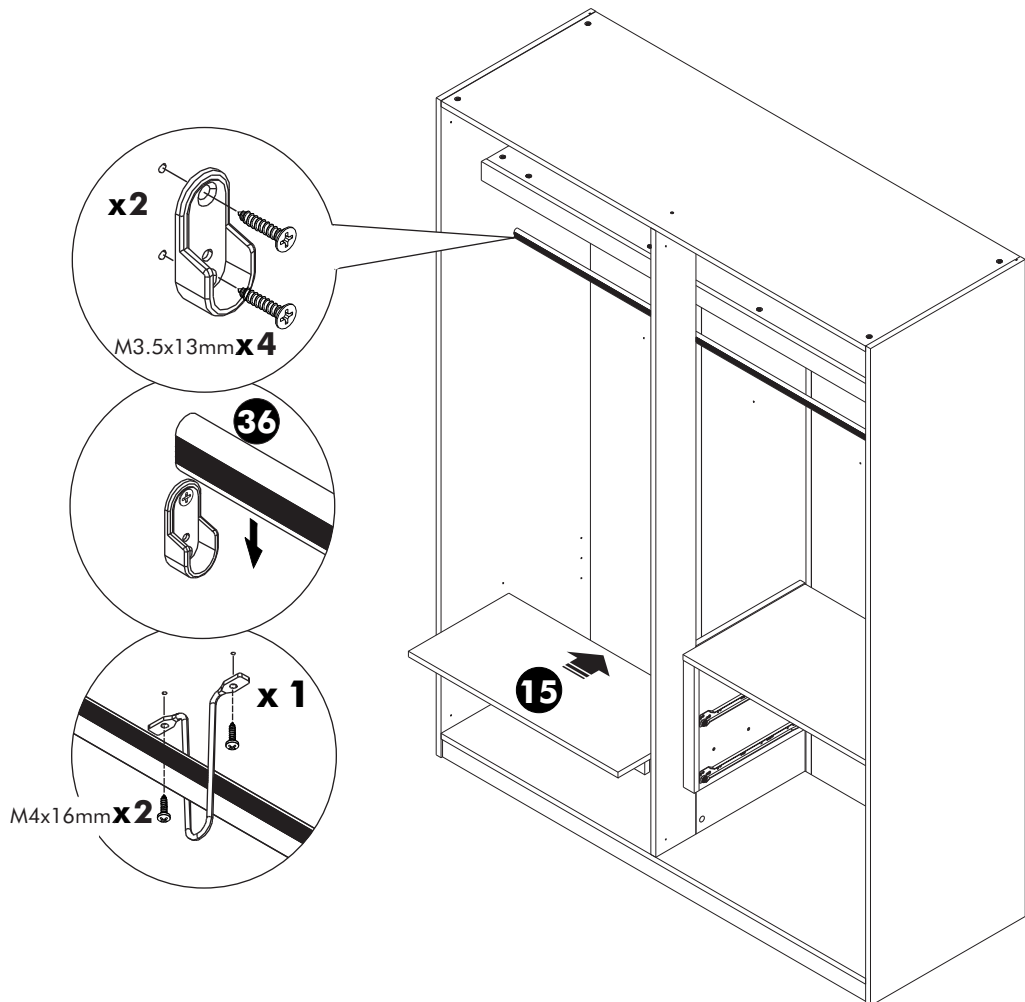


8.



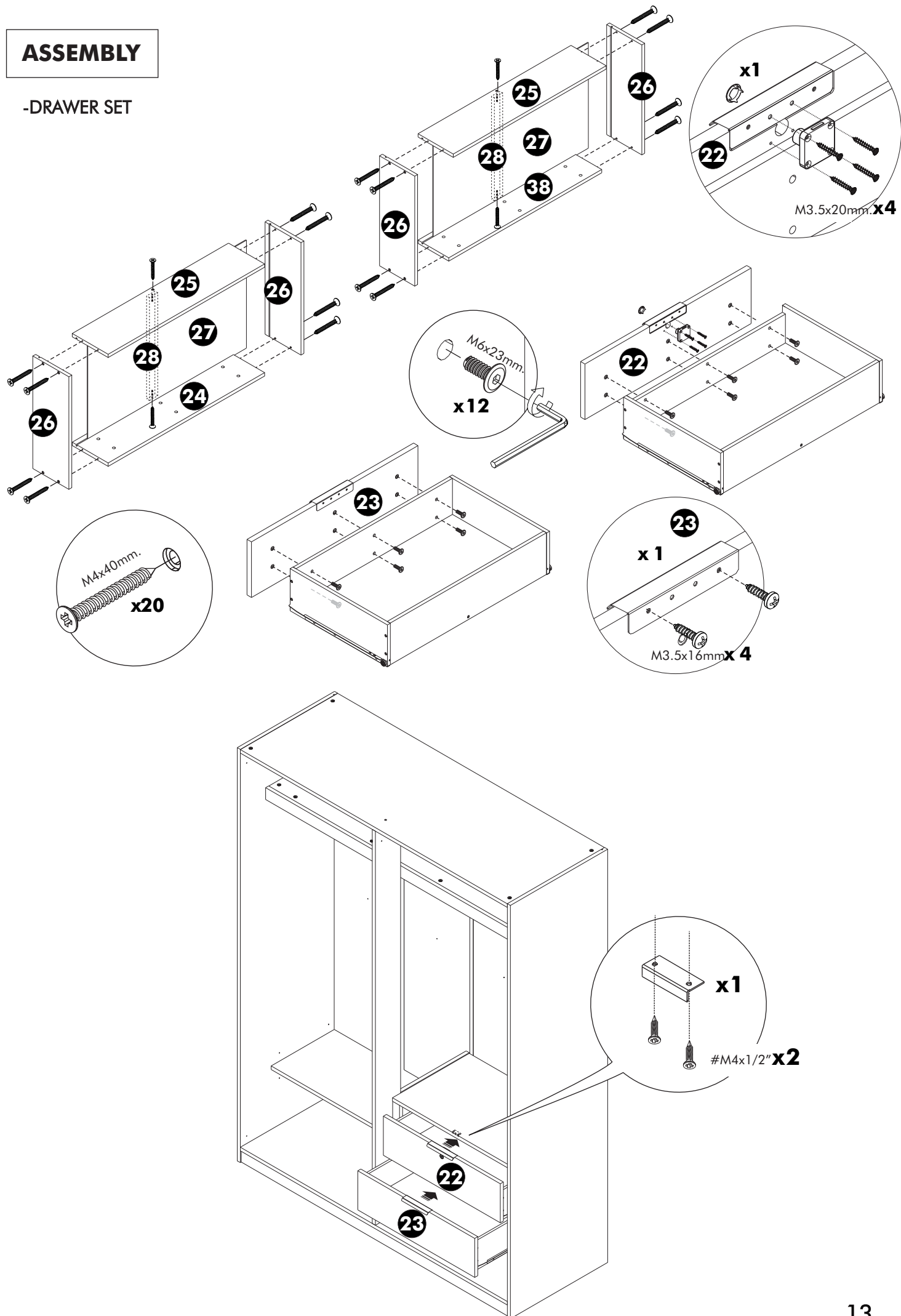


9.



ASSEMBLY

-DRAWER SET



ASSEMBLY

-DOOR SET

