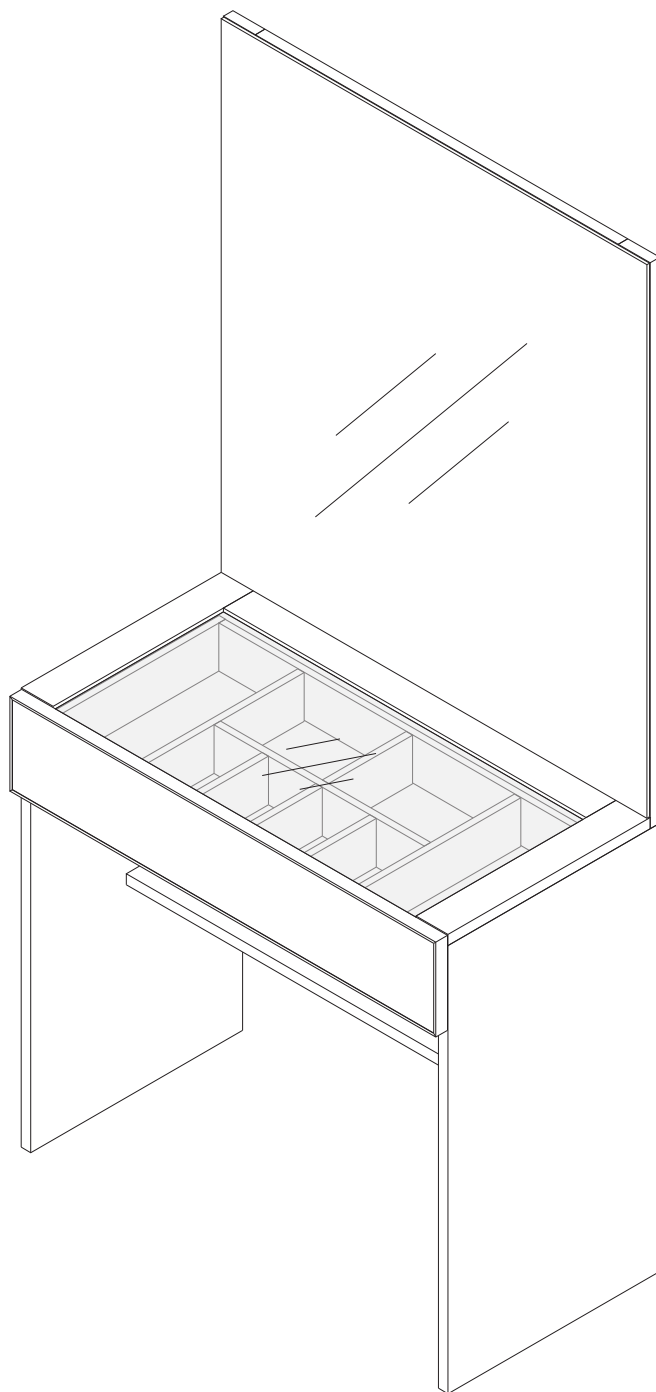


MILAN

Dressing table 80 cm.



CONNECT SYSTEM

1

2

(Connecting bolts)

3

WHEN FITTING CAMS
 ENSURE STARTING POSITION IS CORRECT
 BEFORE YOU INSERT CONNECTING BOLT
 TURN CLOCKWISE UNTIL SECURE

✓

↑
CORRECT

✗

WRONG

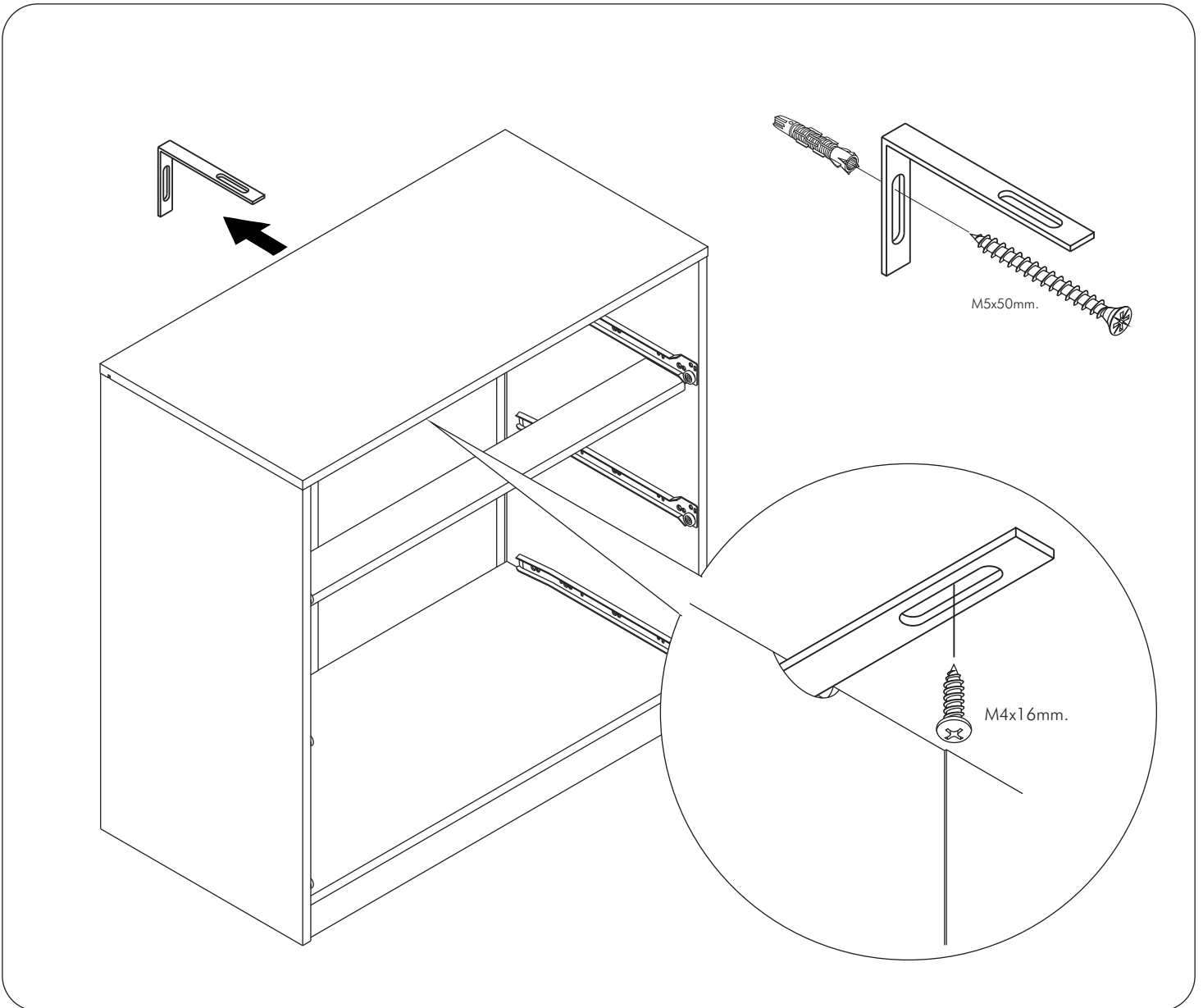
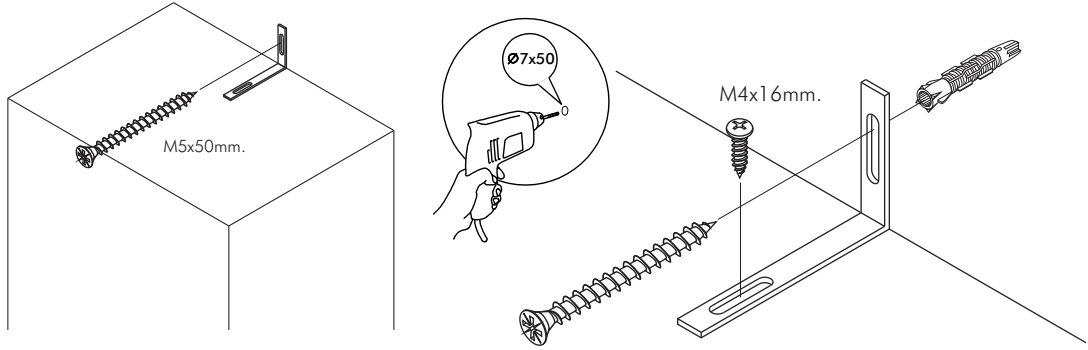
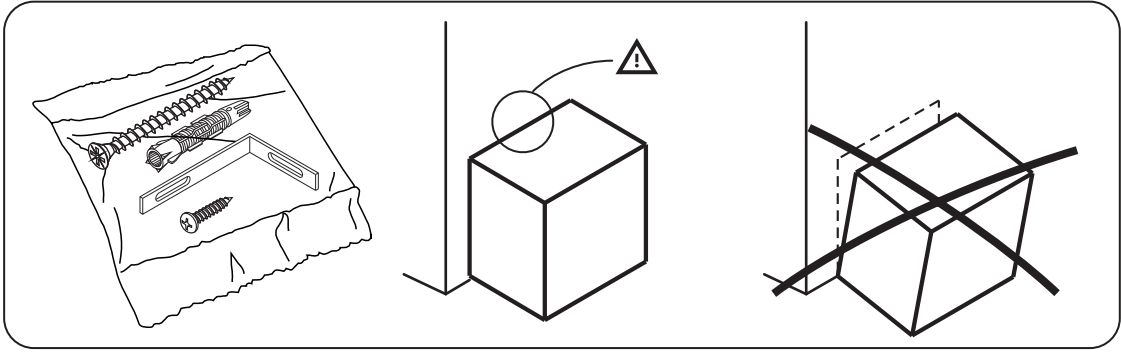
1

2

i

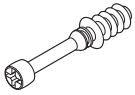
OUT

IN



HARDWARE

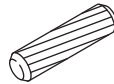
-BODY SET



x 12

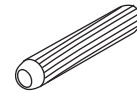


x 12



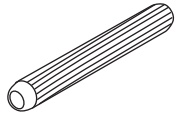
8x35mm.

x 14



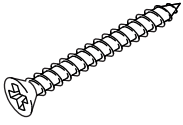
6x35mm.

x 14



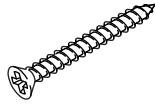
6x50mm.

x 2



M4x40mm.

x 2



M4x30mm.

x 8



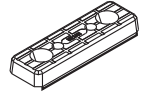
M5x50mm.

x 2



M4x16mm.

x 8

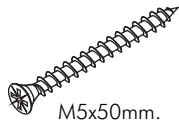


x 4



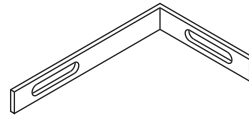
M4x16mm.

x 1

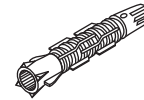


M5x50mm.

x 1

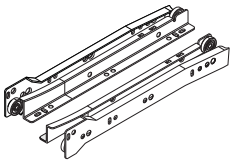


x 1



x 1

-DRAWER SET

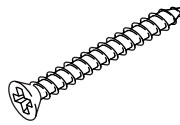


x 1



M3.5x13mm.

x 8



M4x40mm.

x 22



M6x23mm.

x 3



x 1



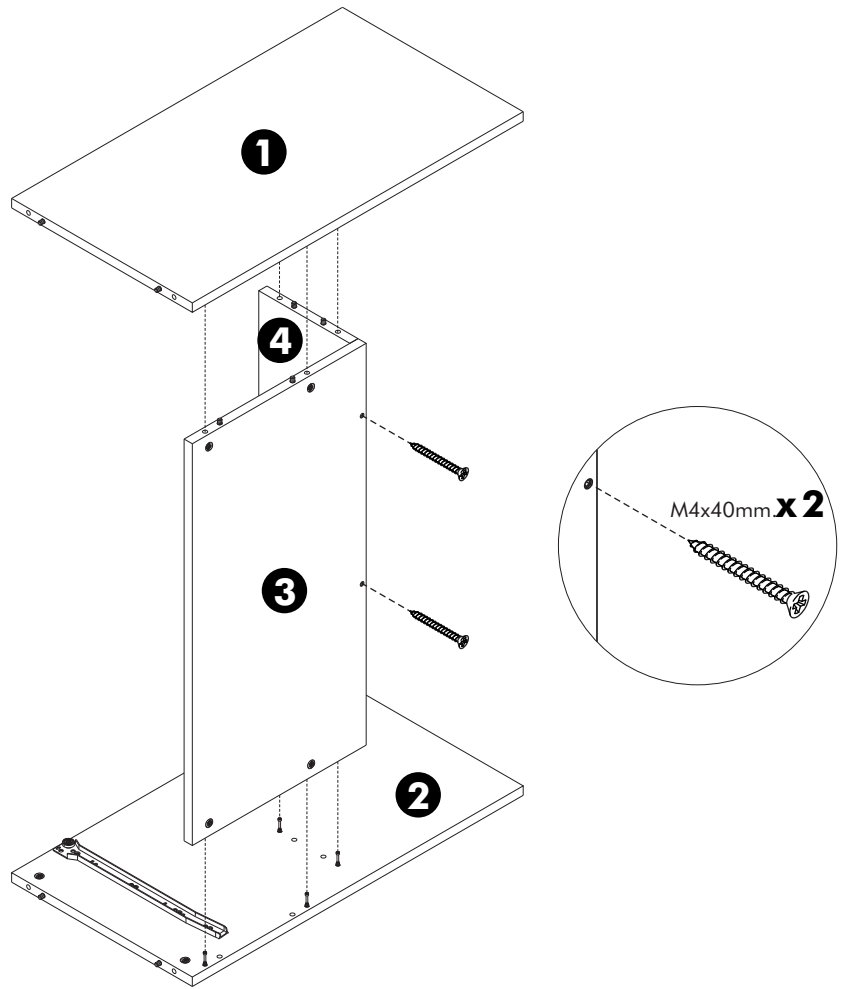
#GAL5/10.5 mm.

x 6

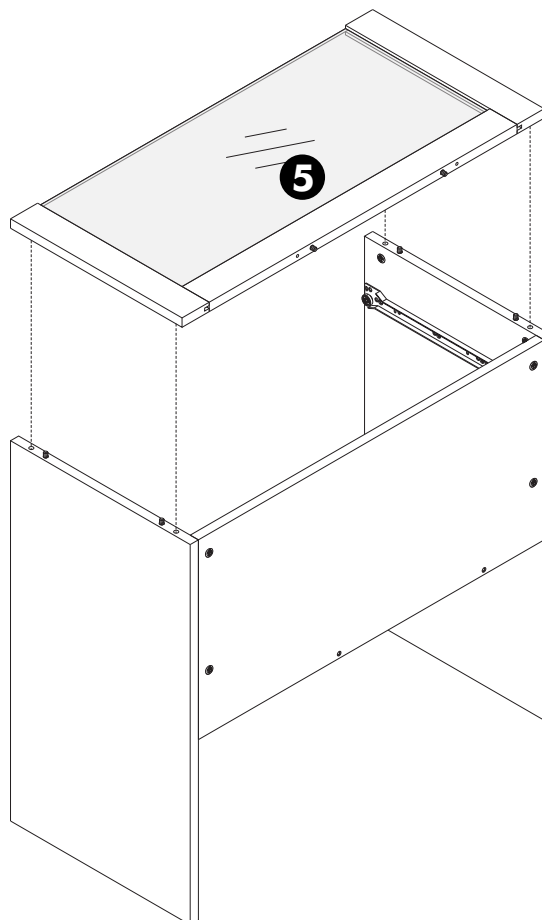
ASSEMBLY

-BODY SET

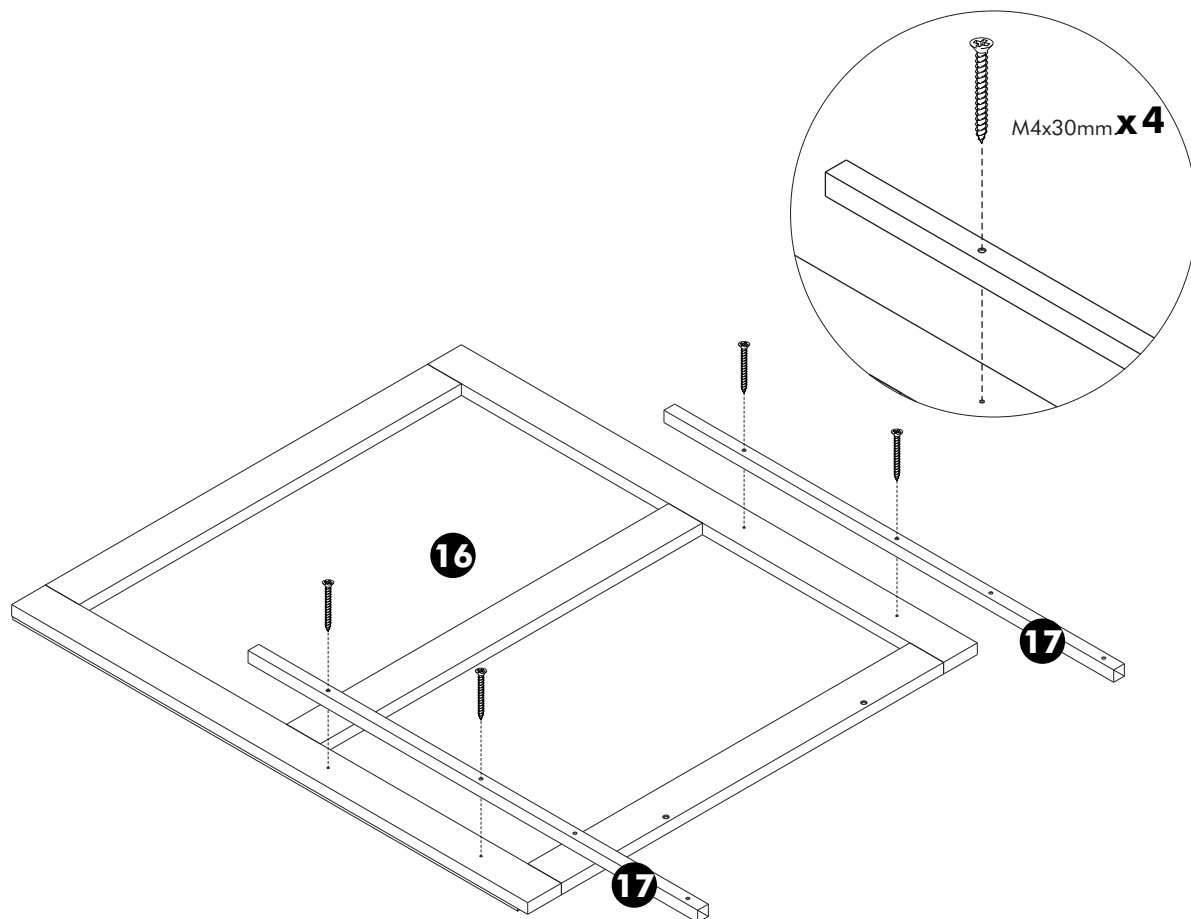
1.



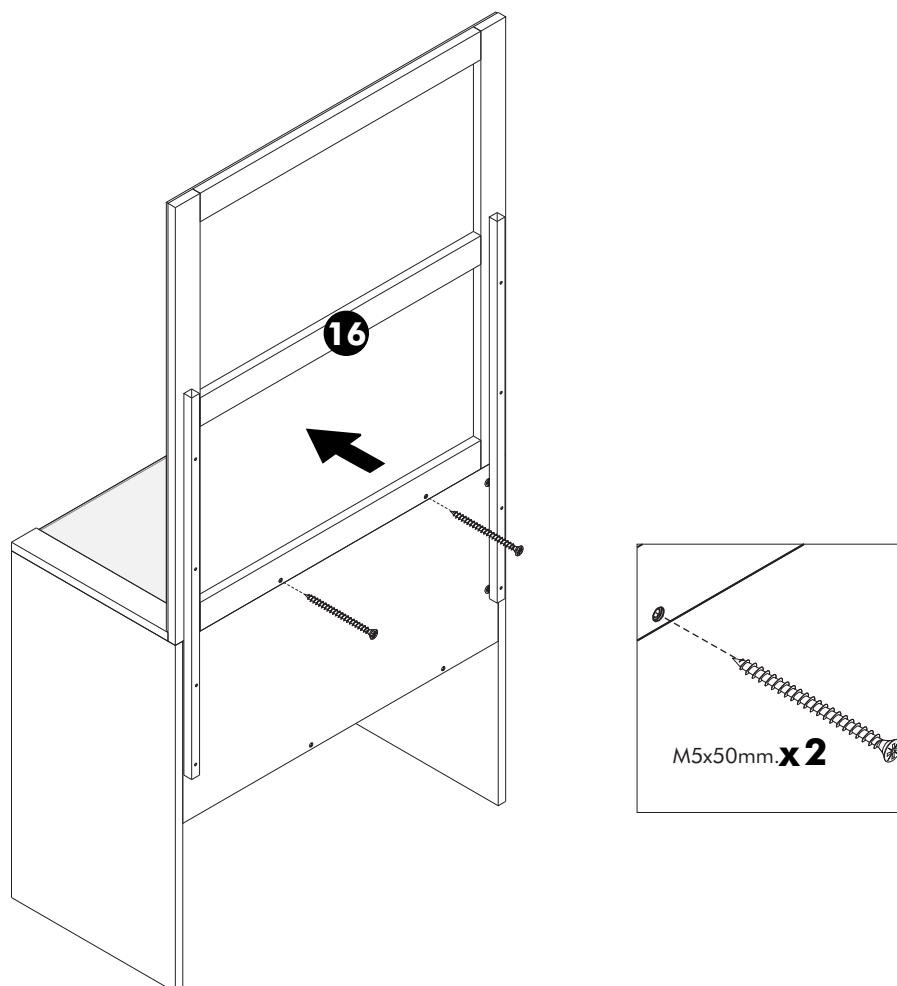
2.



3.



4.



ASSEMBLY

-DRAWER SET

