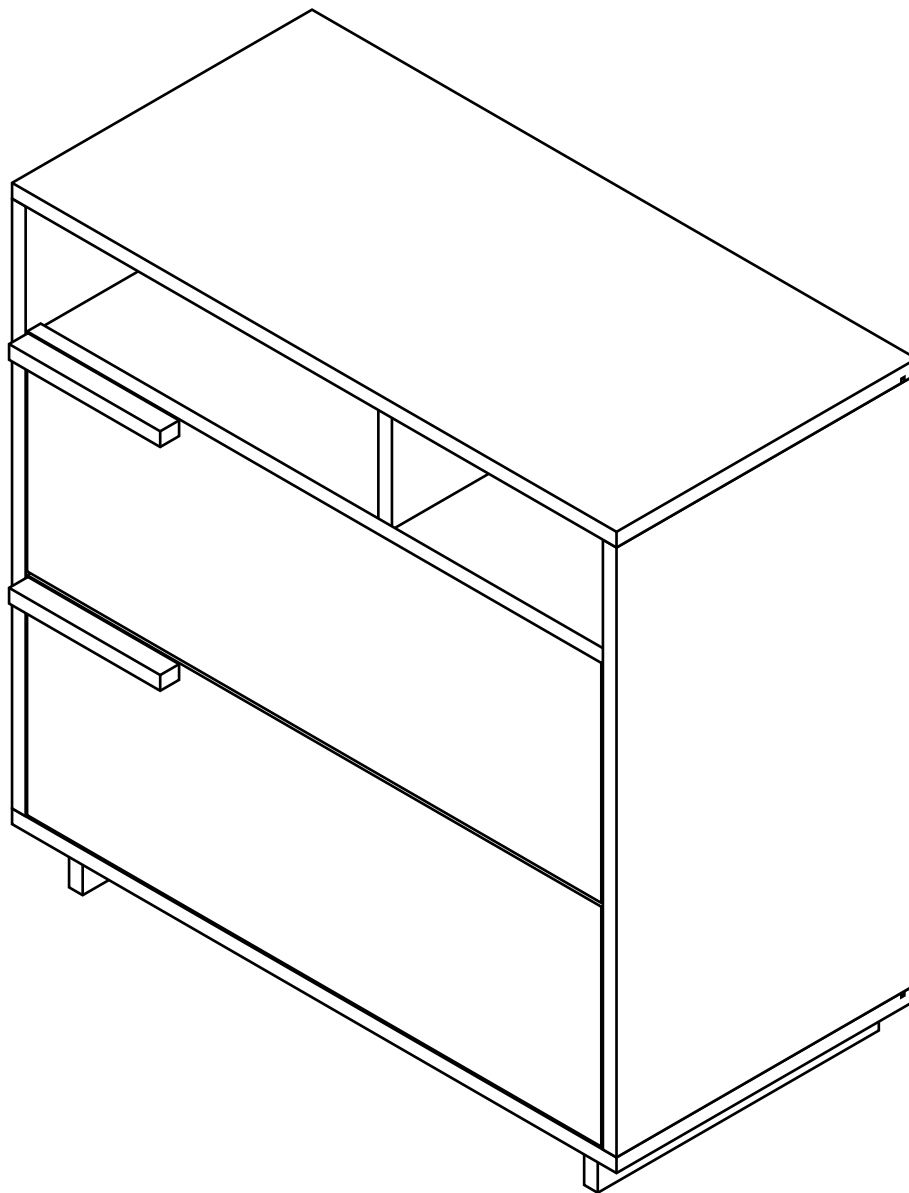
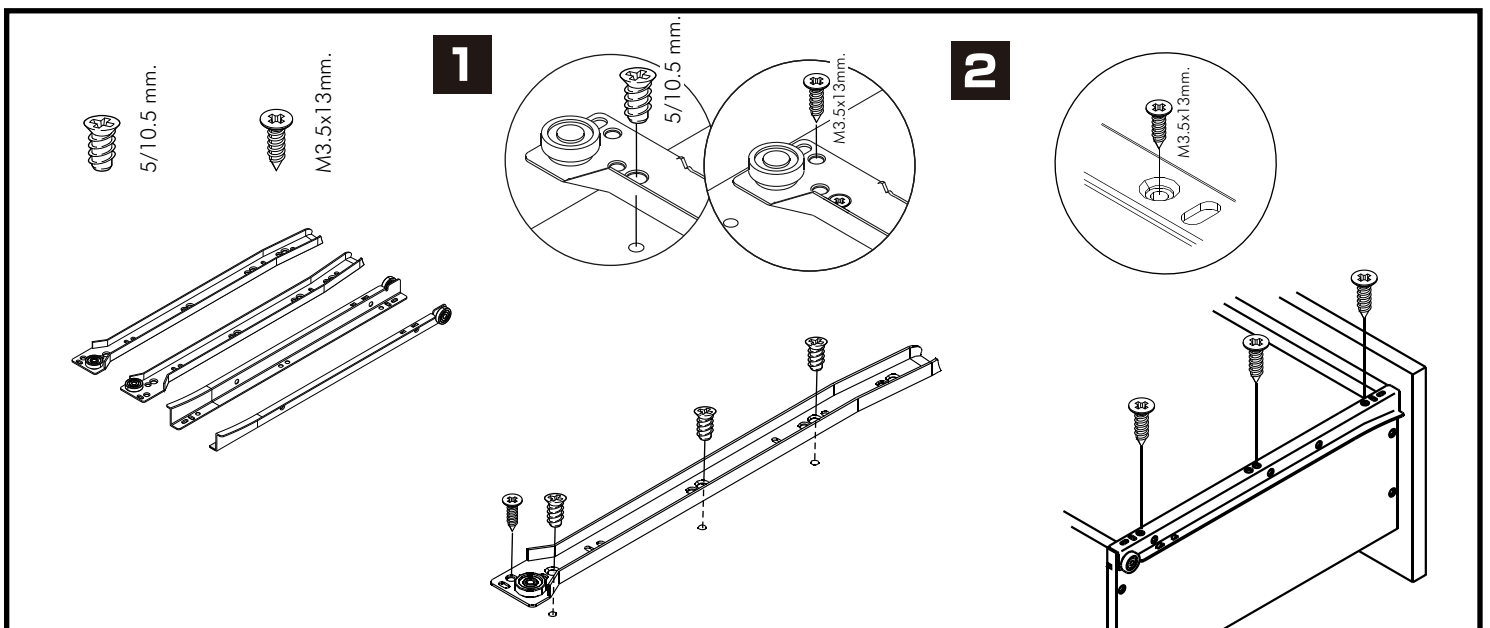
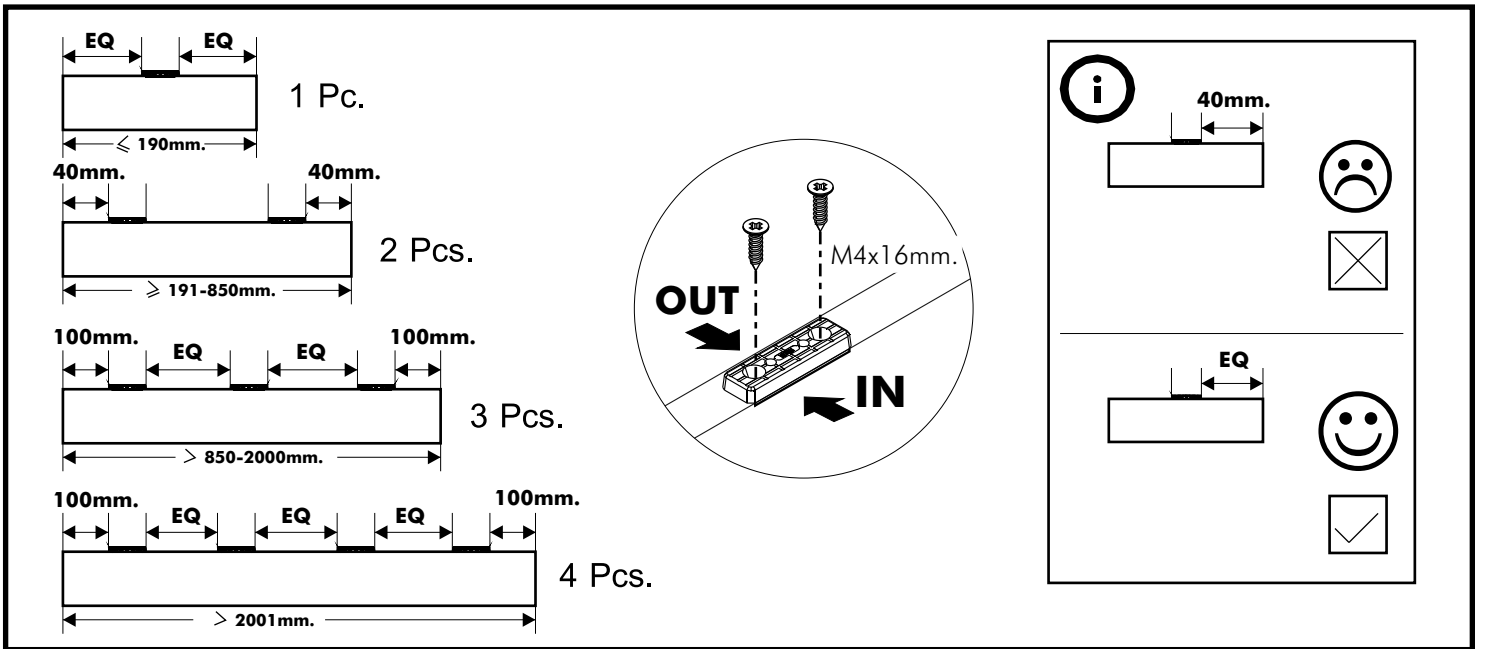


MAR

Chest 2 drawers 80 cm

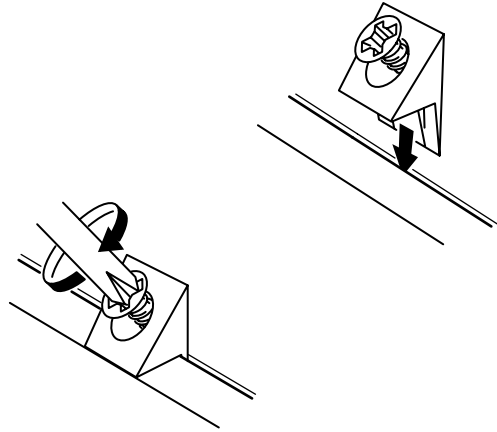
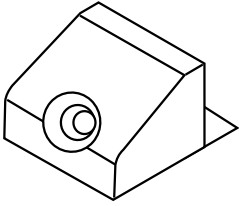


CONNECT SYSTEM

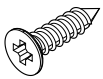
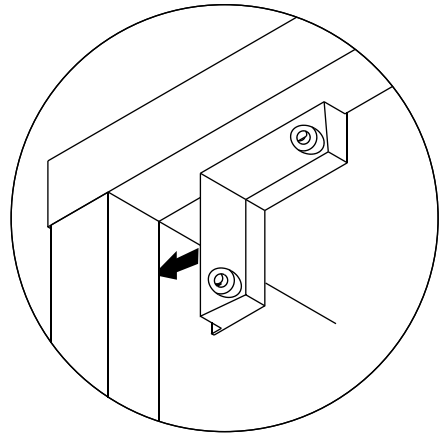
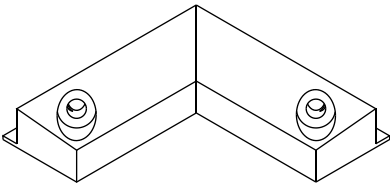
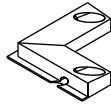




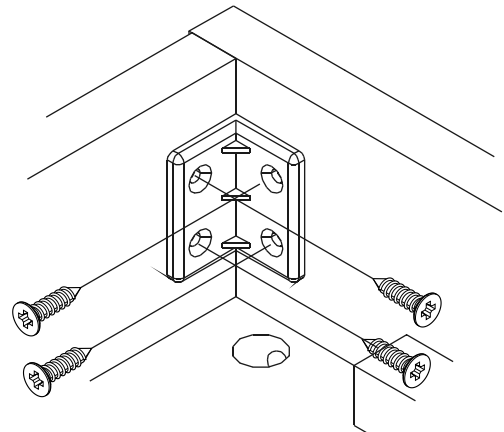
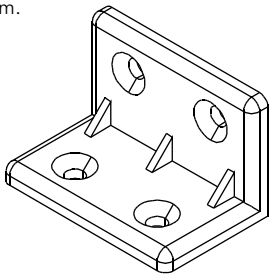
M3.5x20mm.

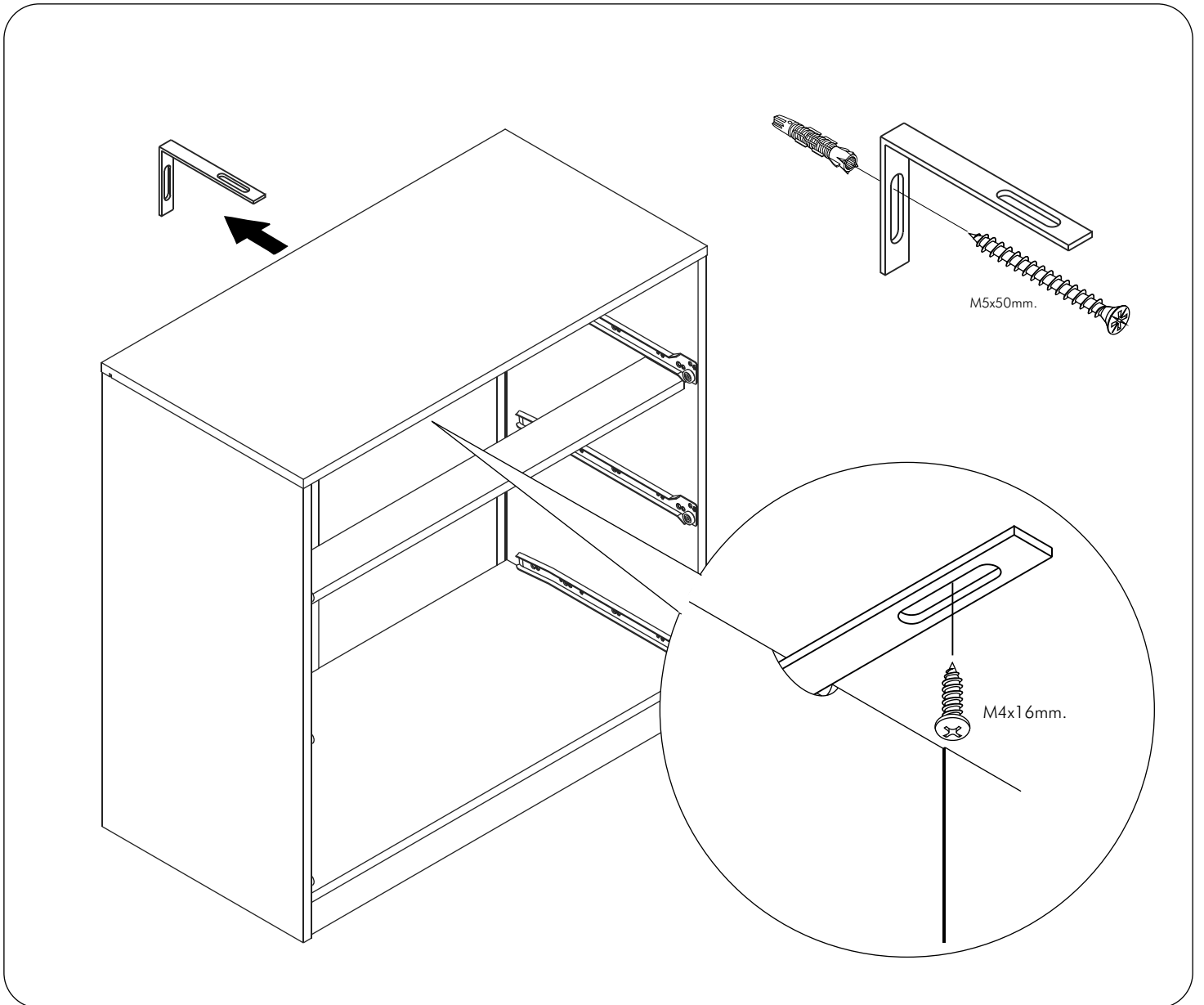


M3.5x20mm.



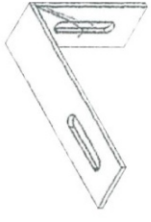
M4x16mm.



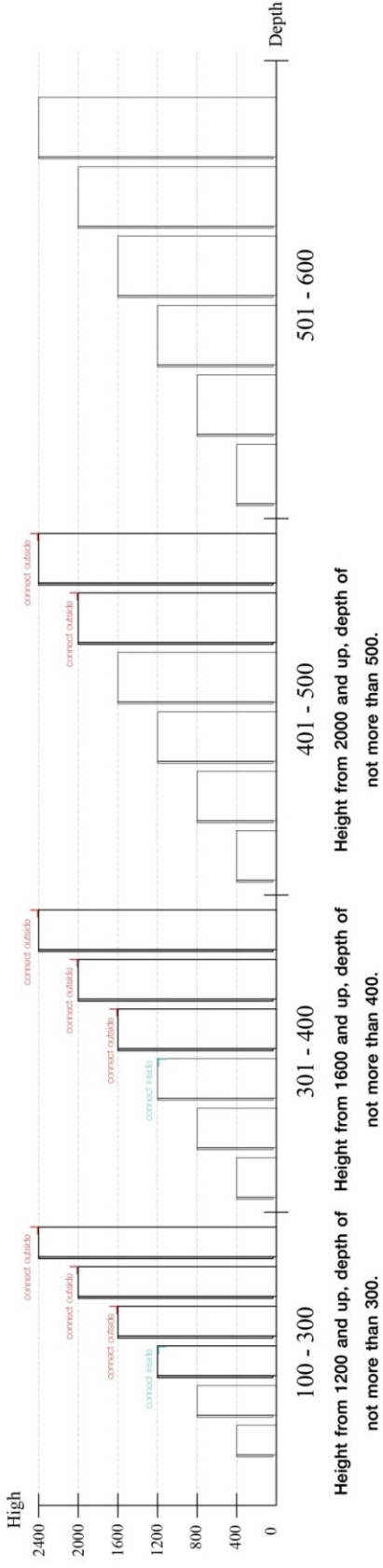


The Standard for identifying which mounted safety fall protection fitting to use **Note : That children's products must be installed with all anti-falling fittings.**

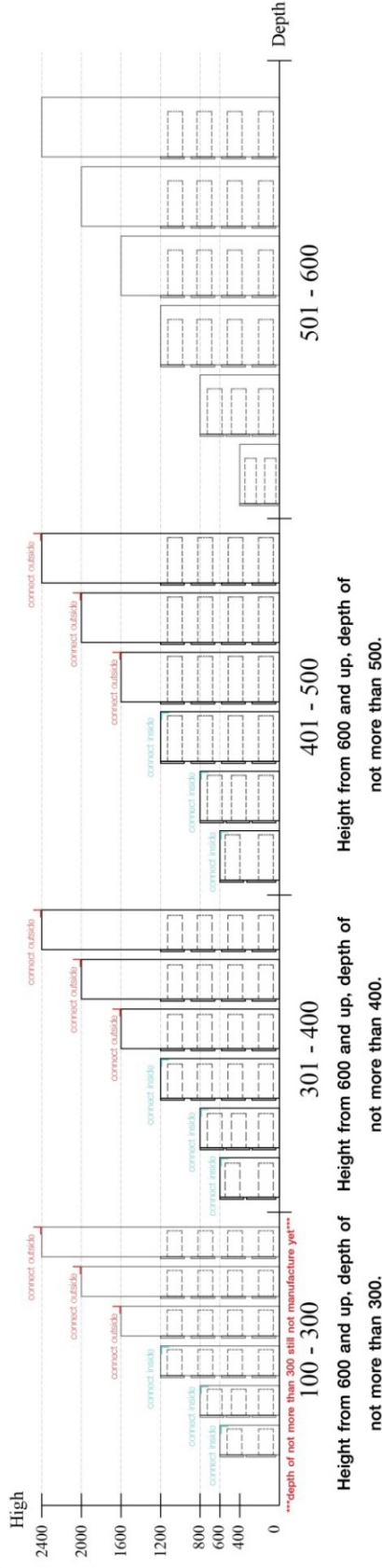
■ Mounted fall protection fittings



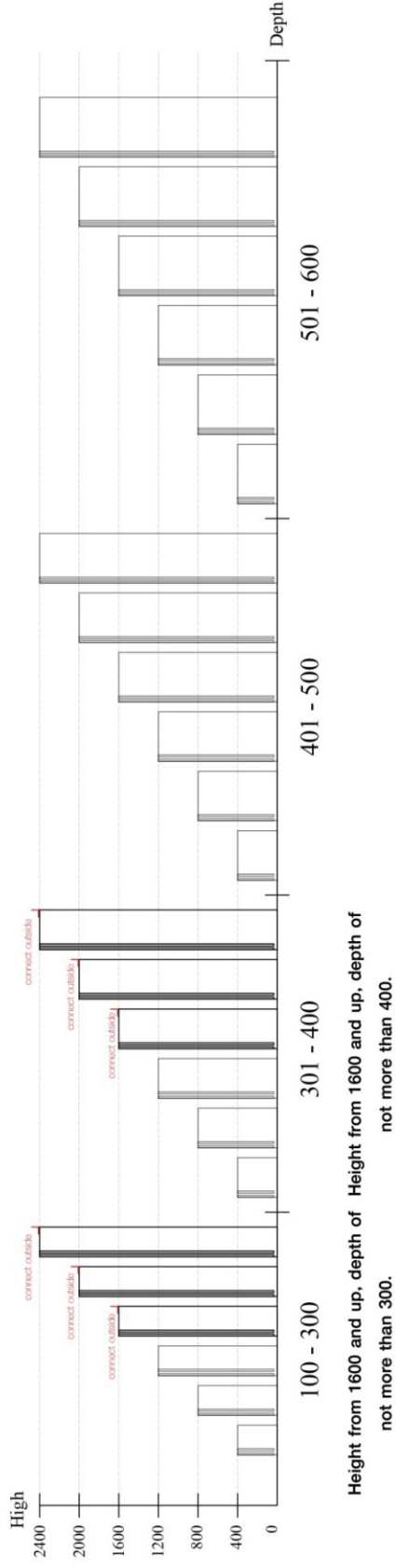
■ Category : Cabinet with open doors



■ Category : Chest of drawers

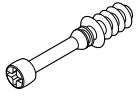


■ Category : Sliding door cabinet / Open cabinet



HARDWARE

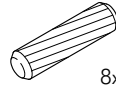
-BODY SET



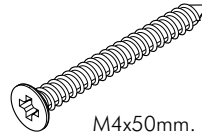
x 14



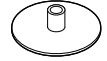
19mm.
x 14



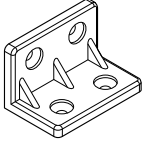
8x35
x 20



M4x50mm.
x 6



x 6



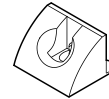
x 8



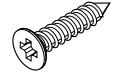
M4x16mm.
x 44



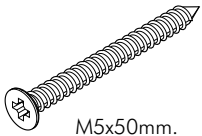
Mx4x30mm.
x 4



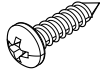
x 8



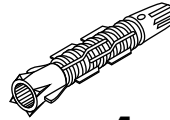
M3.5x20mm.
x 16



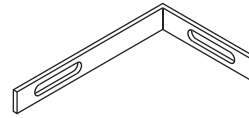
M5x50mm.
x 1



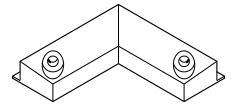
M4x16mm.
x 1



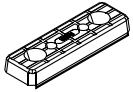
x 1



x 1

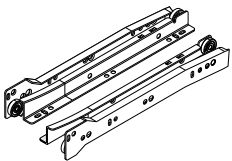


x 4



x 6

-DRAWER SET



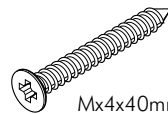
x 2 Set



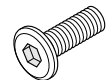
EURO SCREW
x 12



M3.5x13mm.
x 16



Mx4x40mm.
x 24



M6x23mm.
x 12

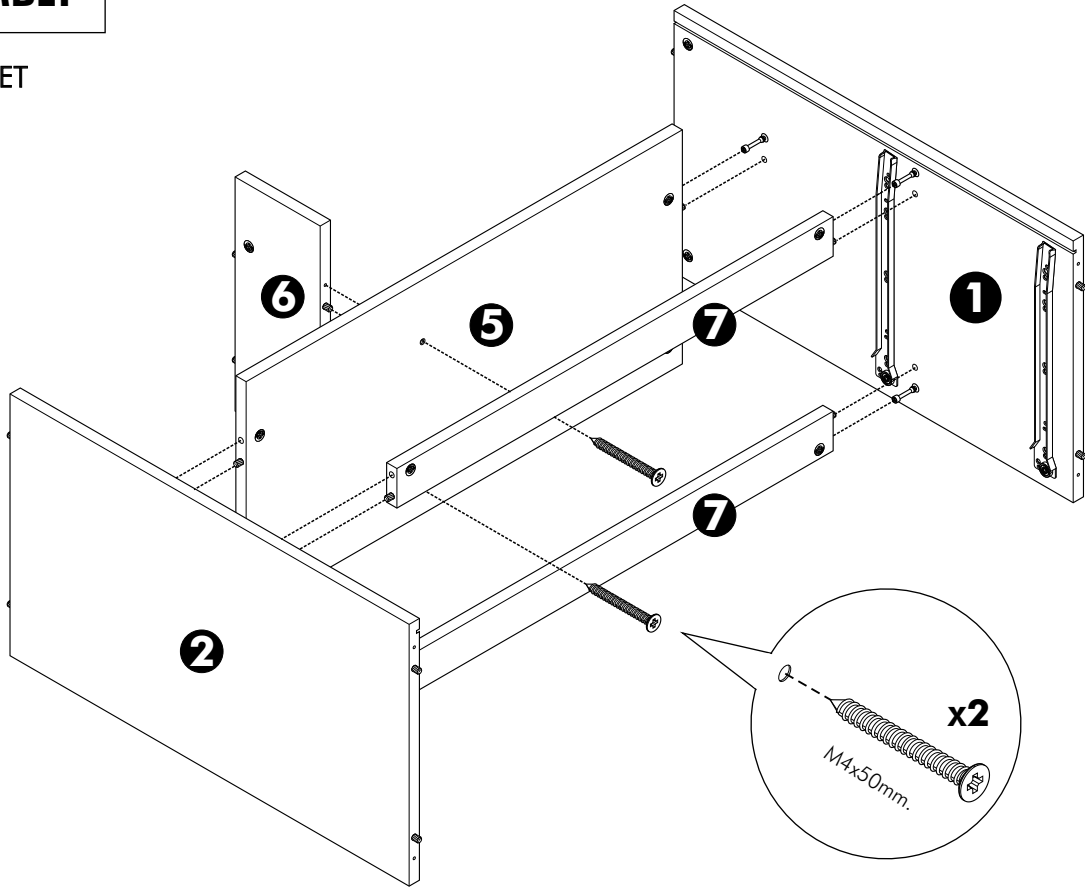


x 1

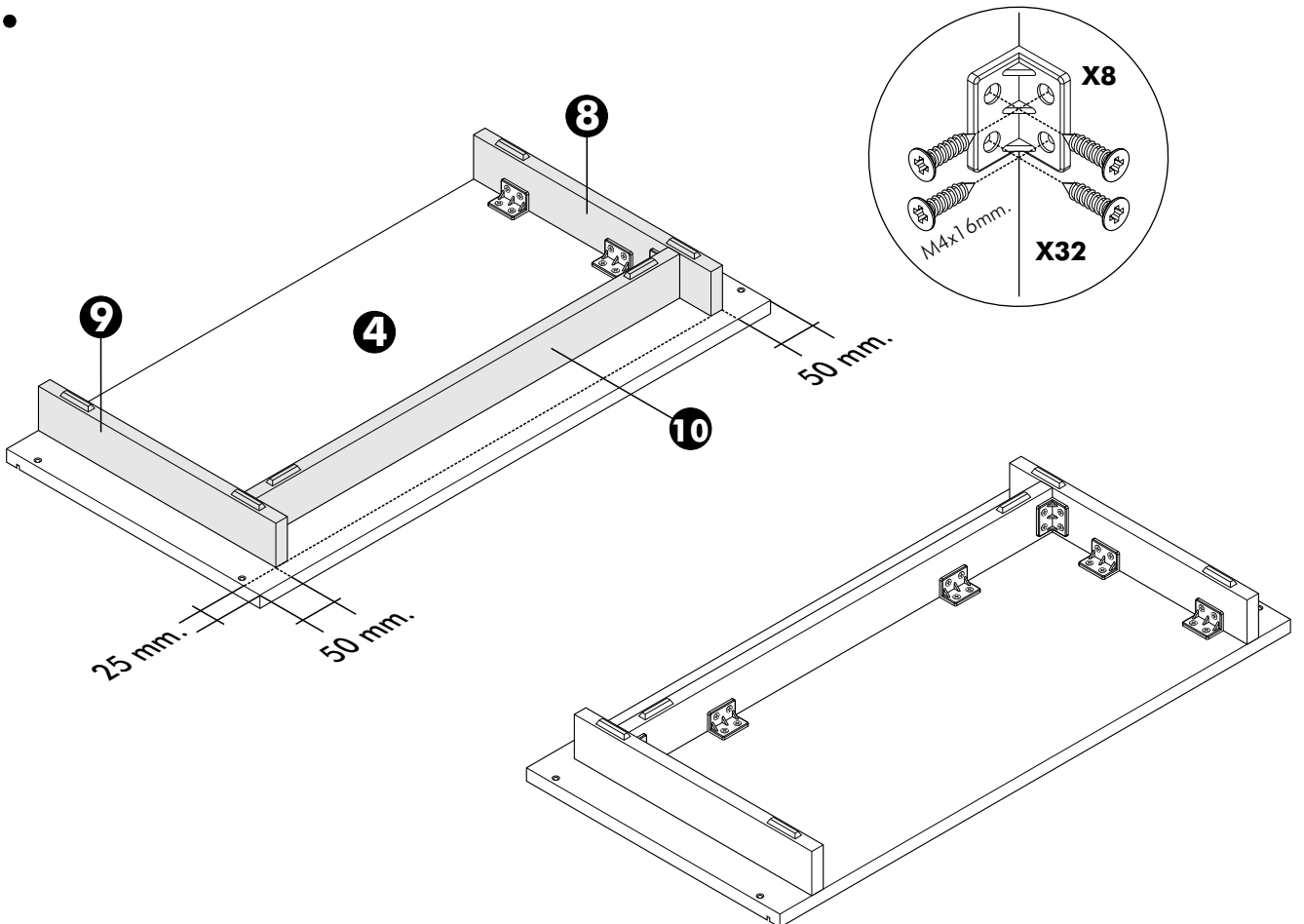
ASSEMBLY

-BODY SET

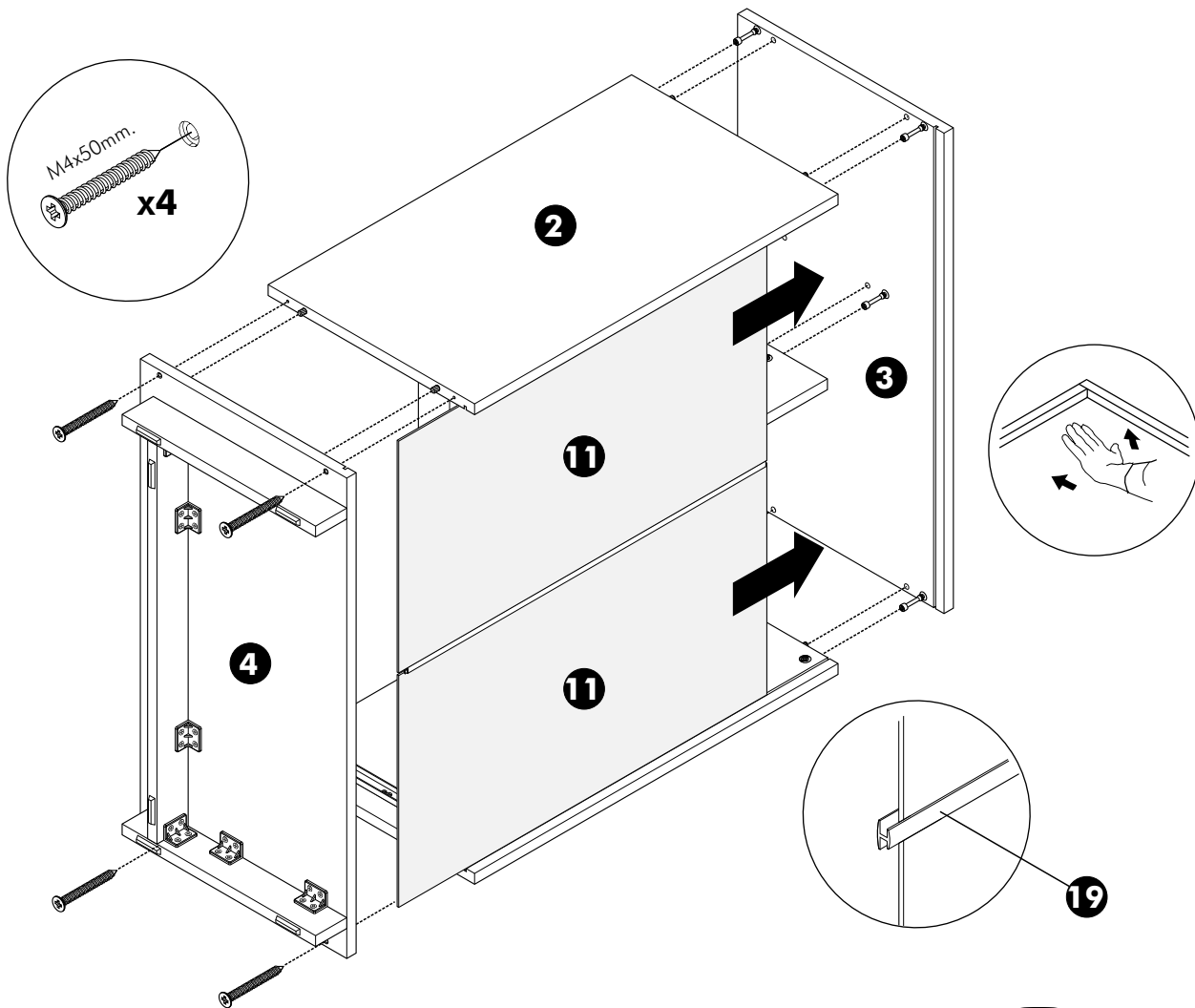
1.



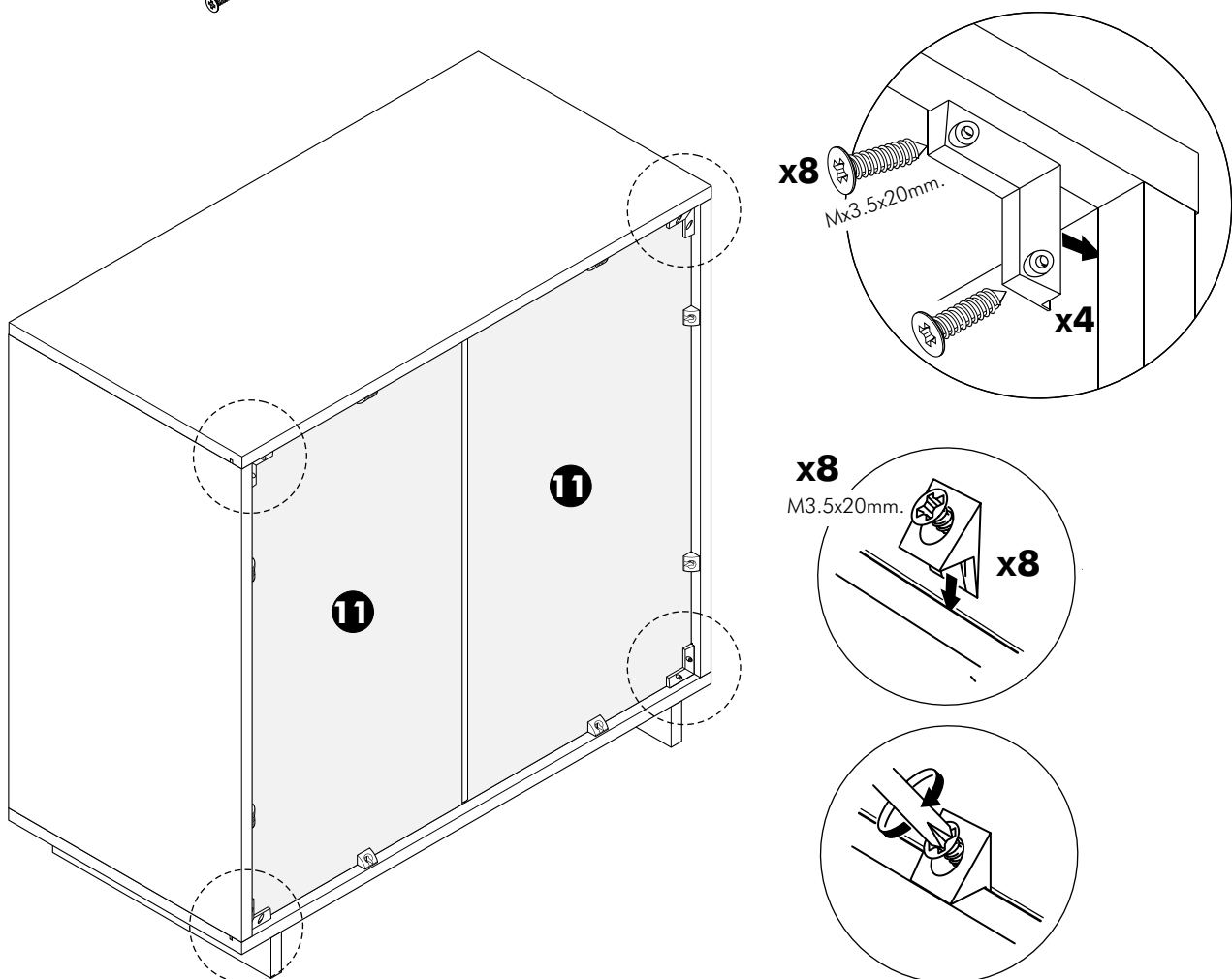
2.



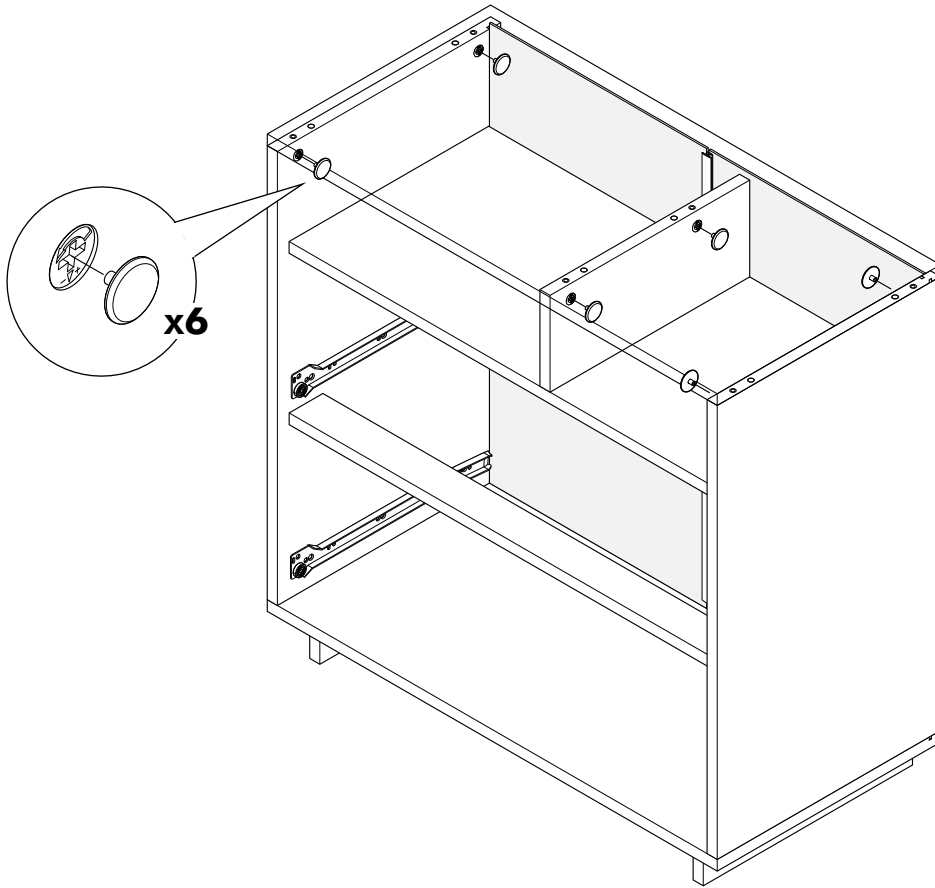
3.



4.



5.



ASSEMBLY

-DRAWER SET

