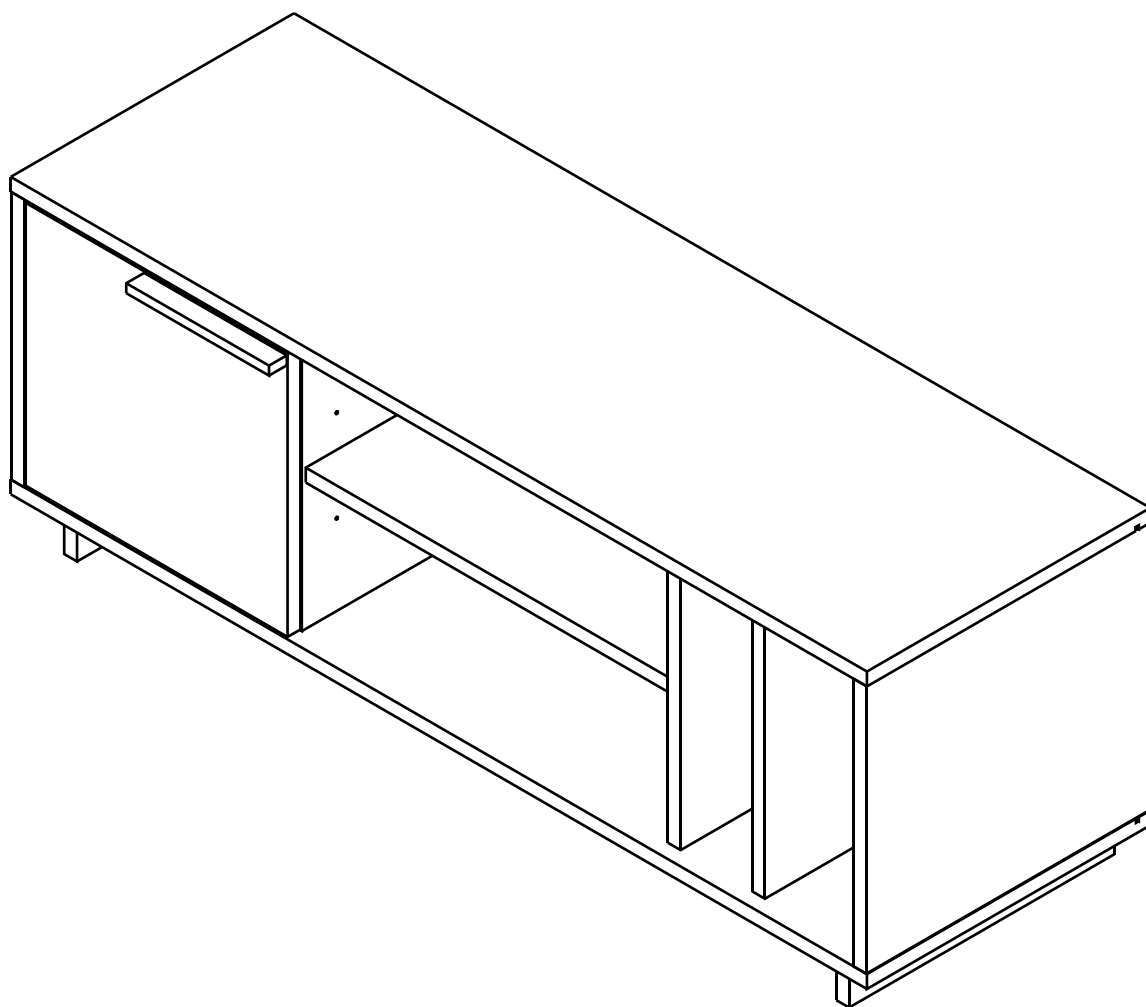
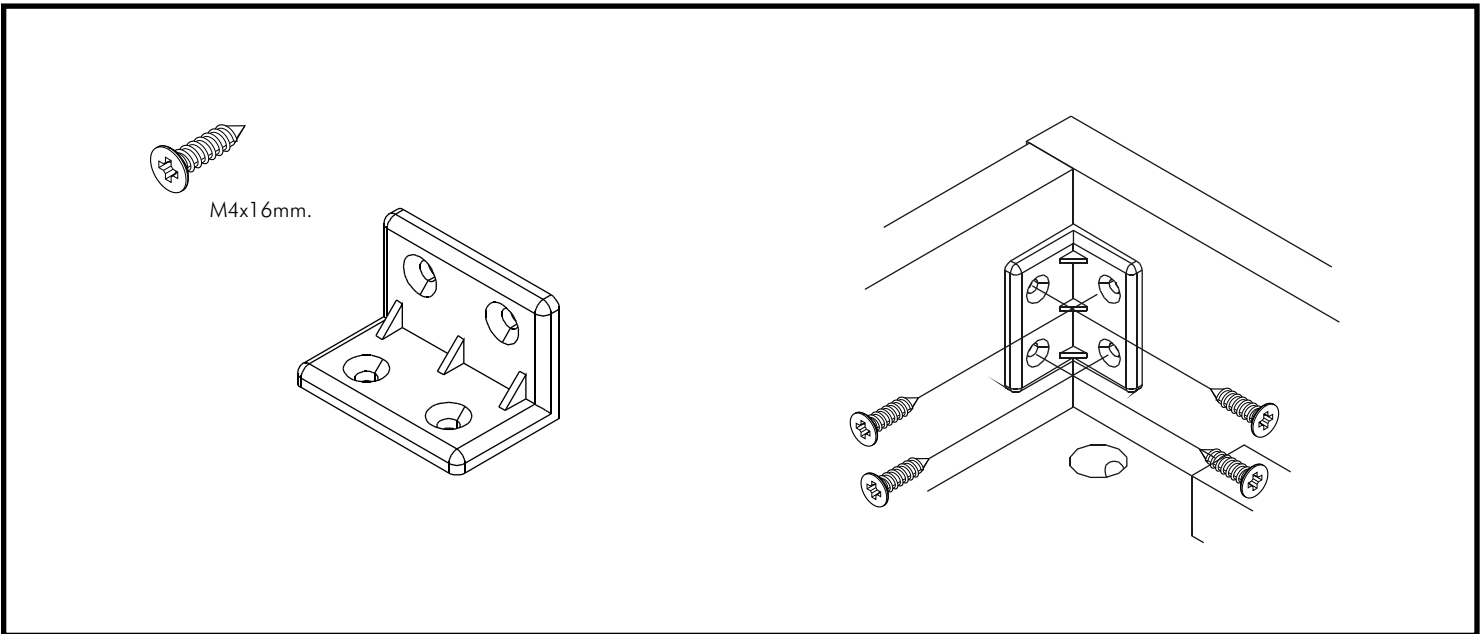
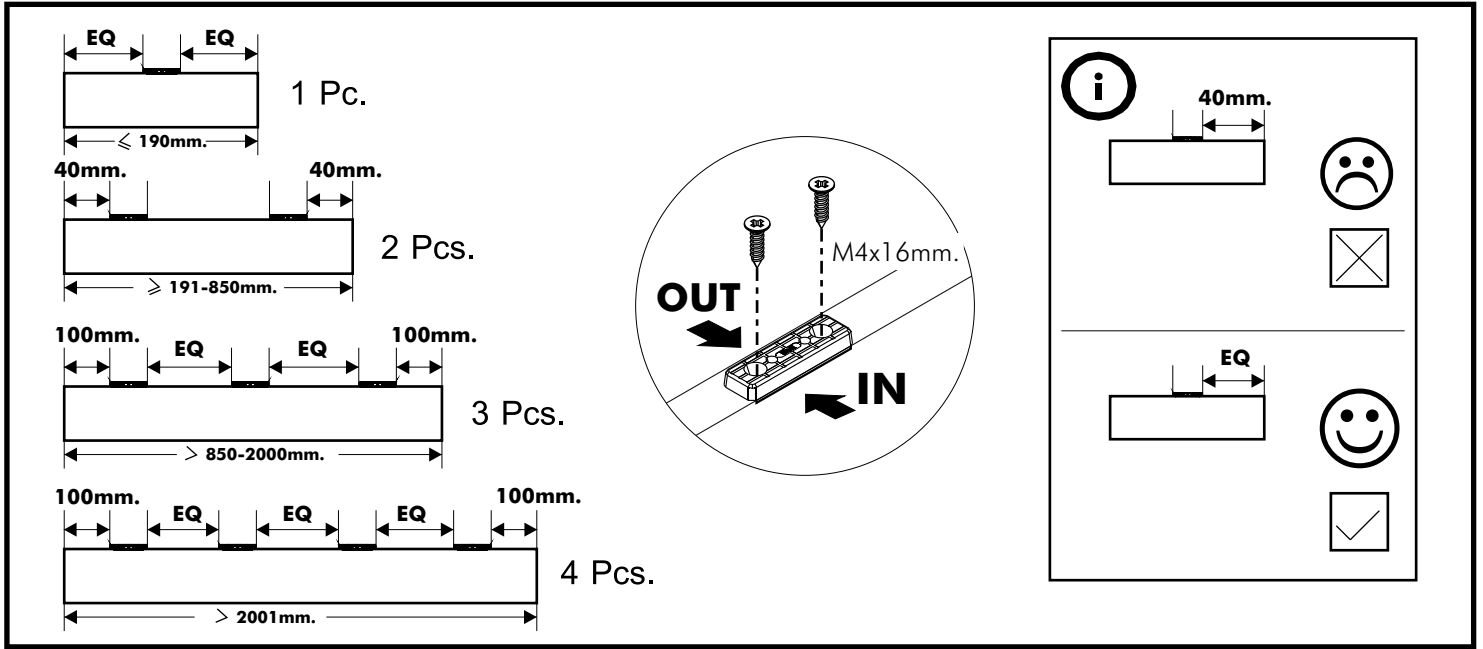
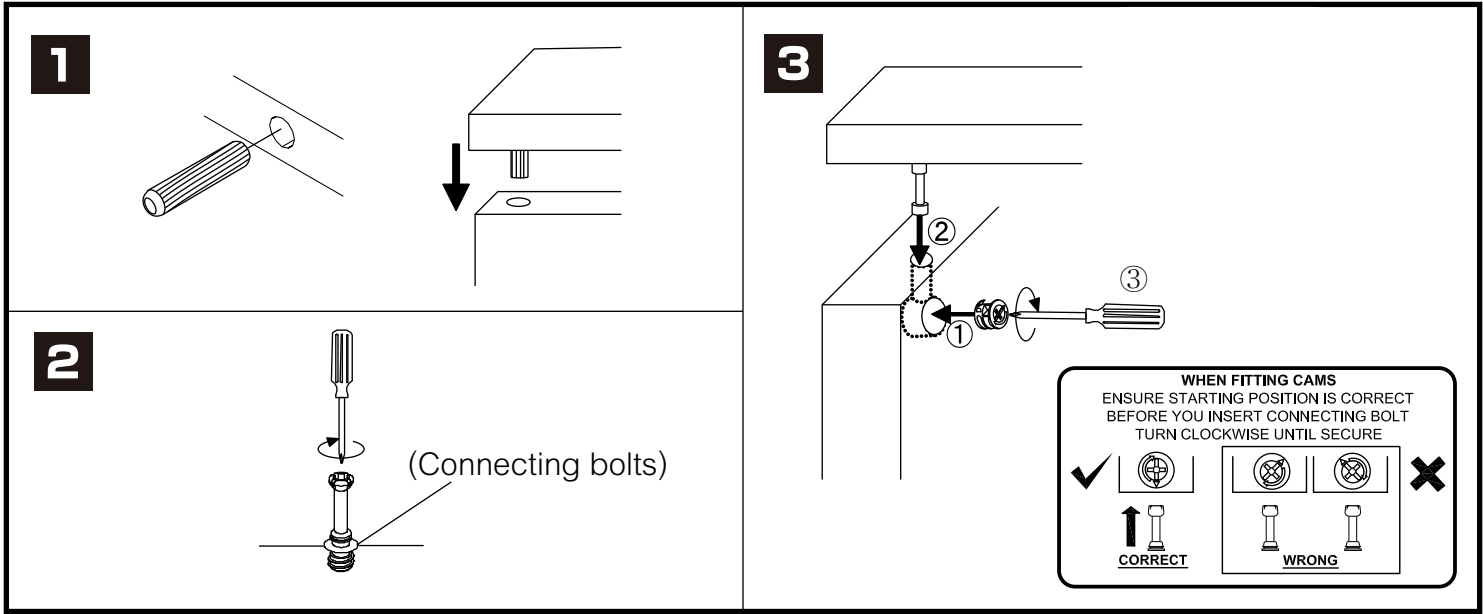


# MAR

## TV Cabinet 120

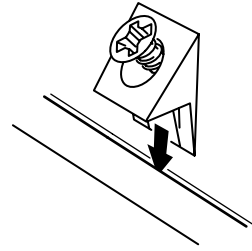
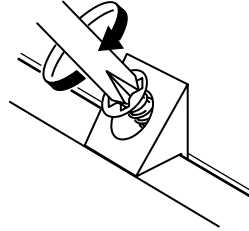
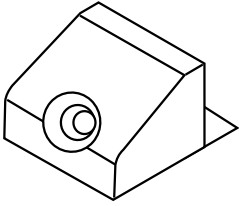


# CONNECT SYSTEM

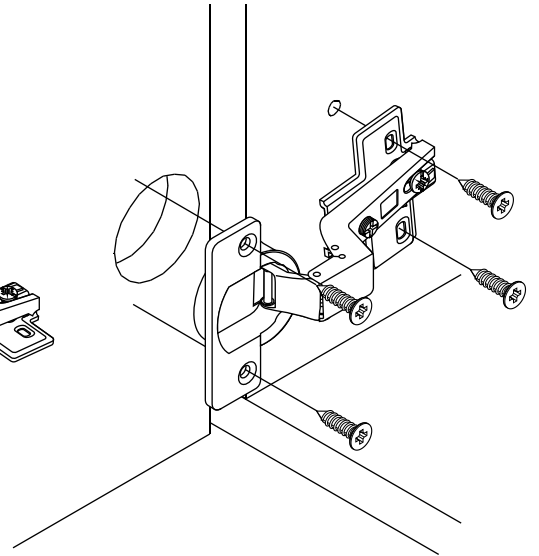
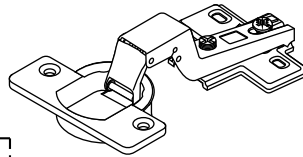
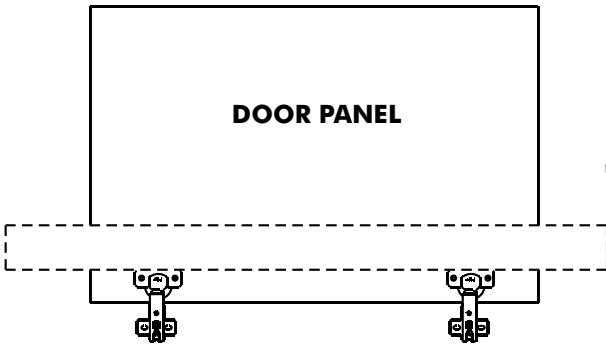




M3.5x20mm.

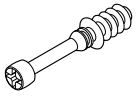


M4x16mm.



# HARDWARE

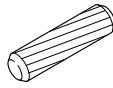
## -BODY SET



**x 8**

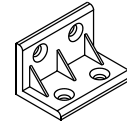


**x 8**

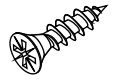


8x35mm.

**x 24**

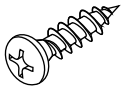


**x 9**



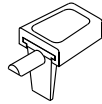
M4x16mm.

**x 50**



M4x16mm.

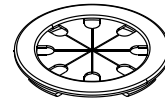
**x 4**



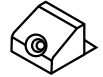
**x 4**



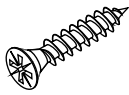
**x 8**



**x 1**

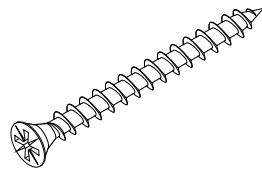


**x 4**



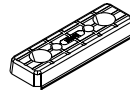
M4x20mm.

**x 4**



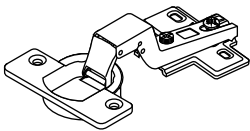
M4x50mm.

**x 10**

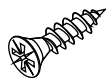


**x 7**

## -DOOR SET

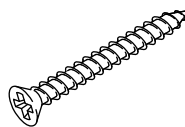


**x 2**



M4x16mm.

**x 8**



M4x30 mm.

**x 2**

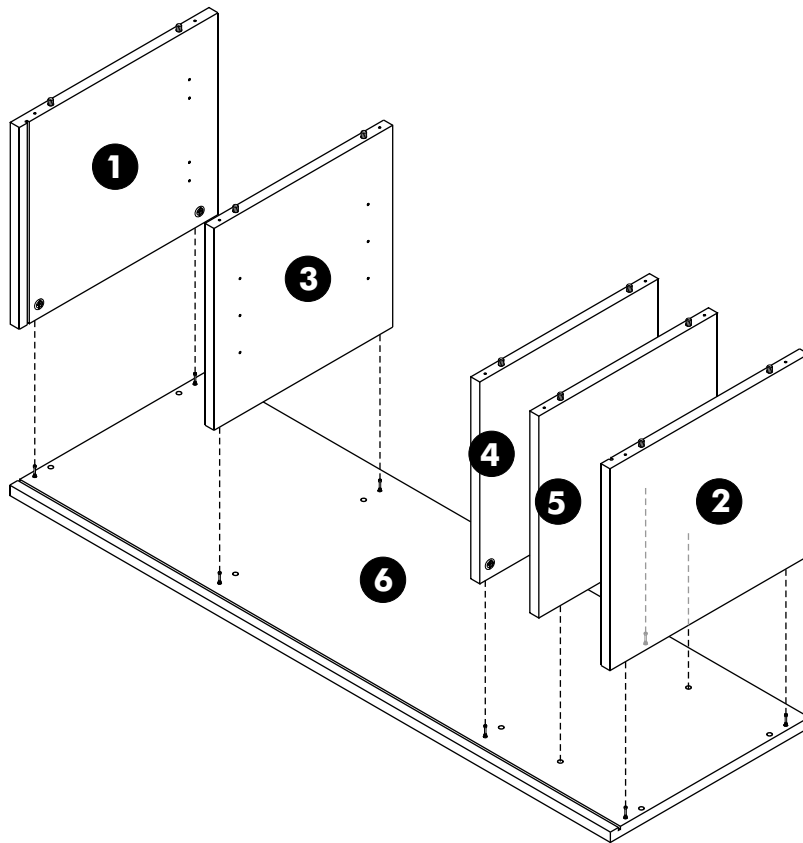


**x 2**

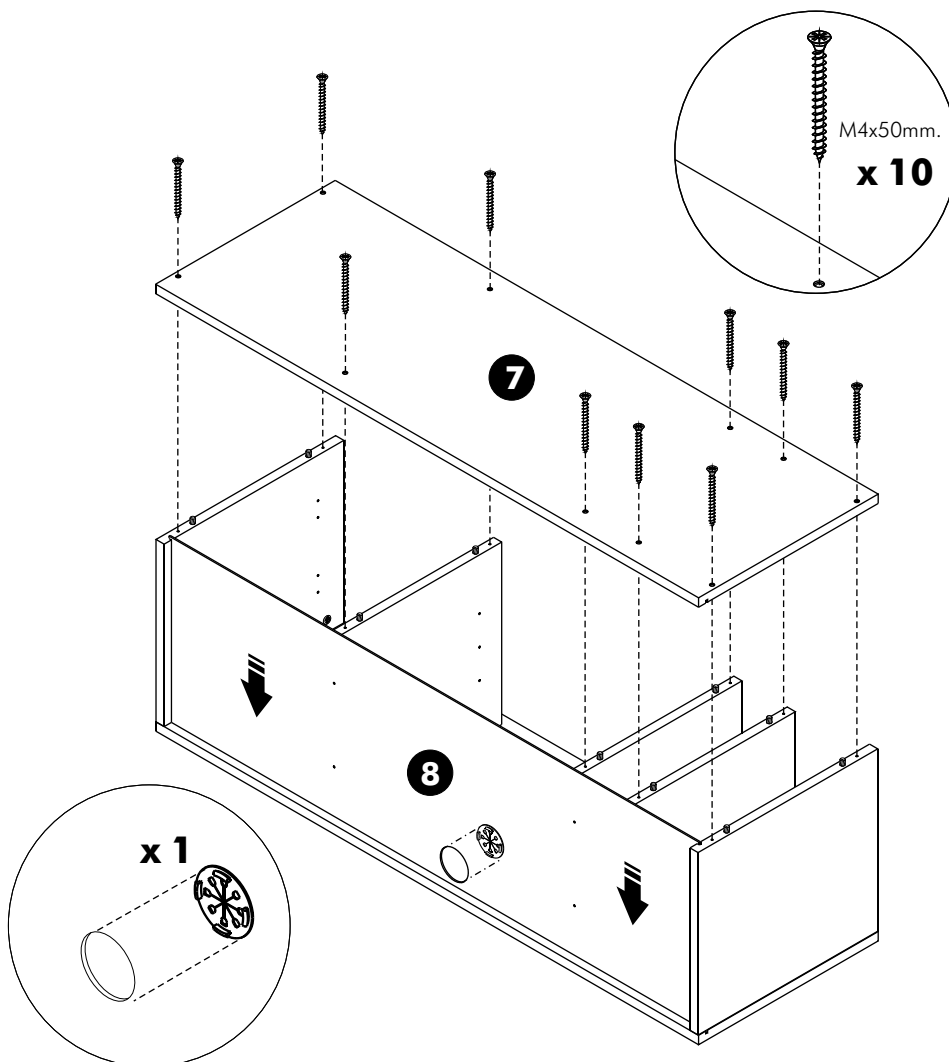
# ASSEMBLY

-BODY SET

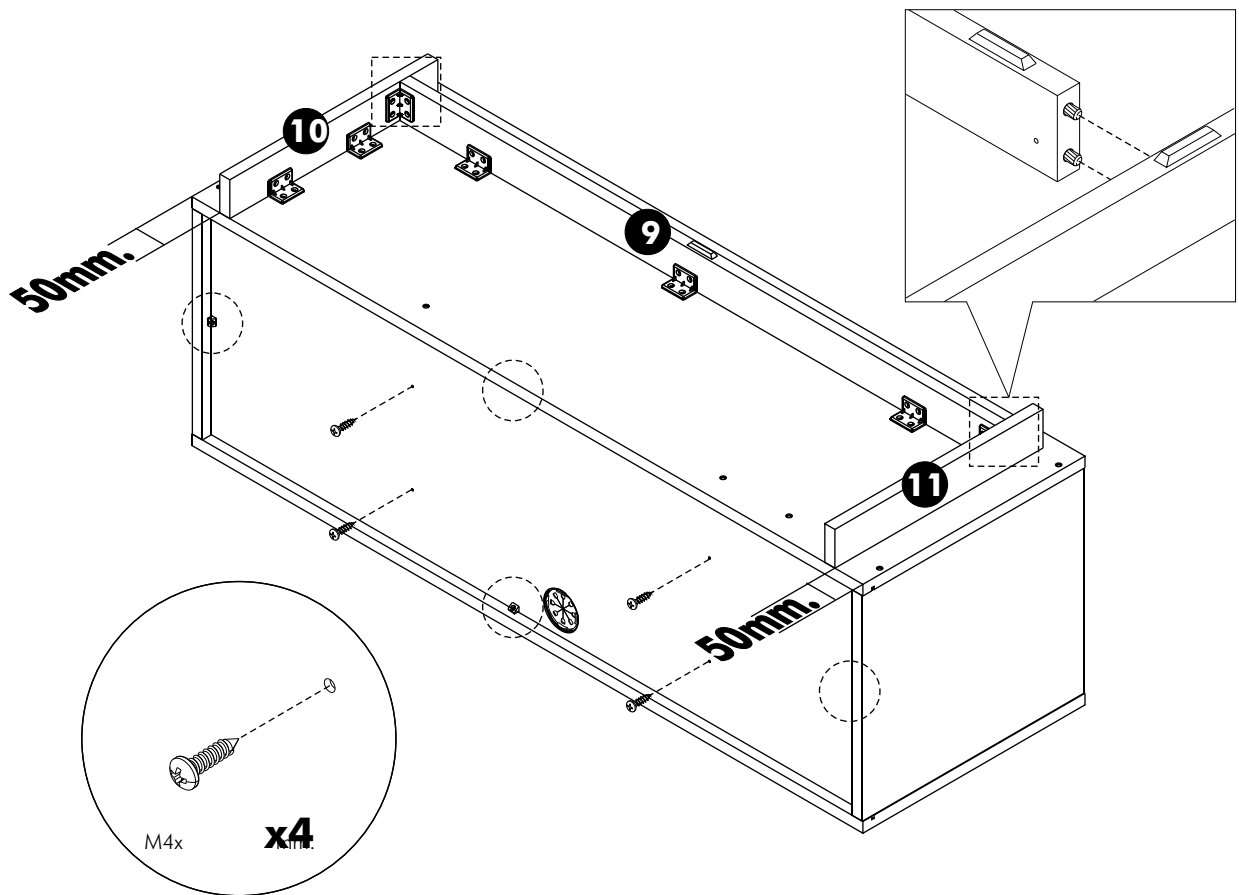
**1.**



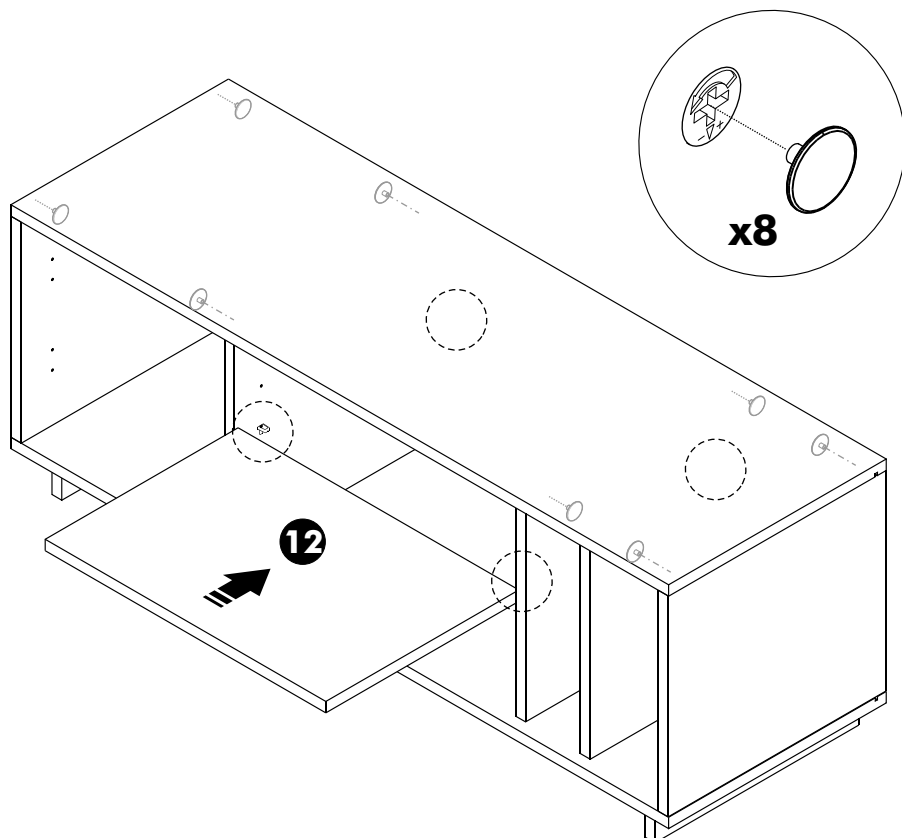
**2.**



**3.**



**4.**



# ASSEMBLY

-DOOR SET

